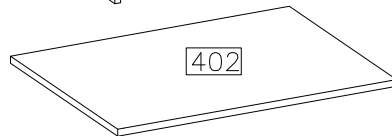
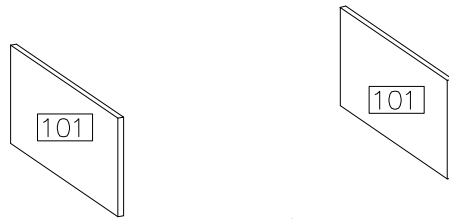
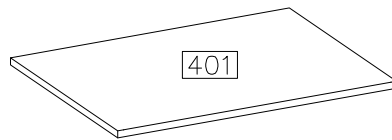
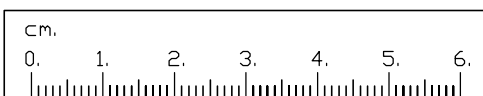





#	ART. NR	QUANTITY
1	401	1
2	402	1
3	101	2

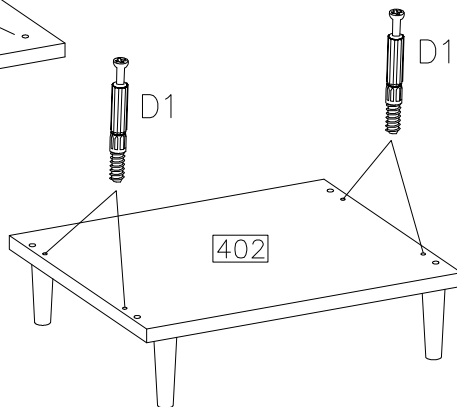
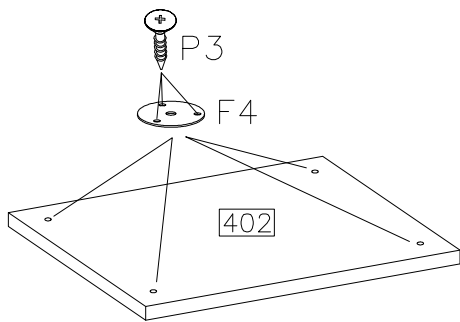
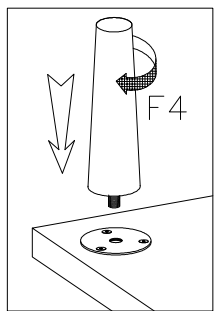
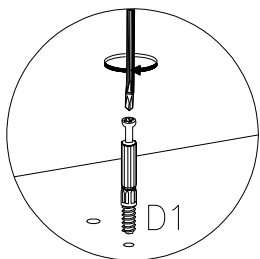


 ø8x30mm A	 ø15/12mm C	 D1	 E	 ø3.5x16mm P3	 F4
8	8	8	8	12	4


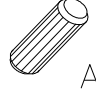


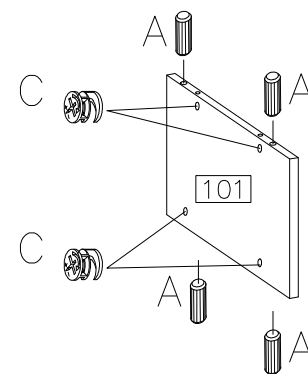
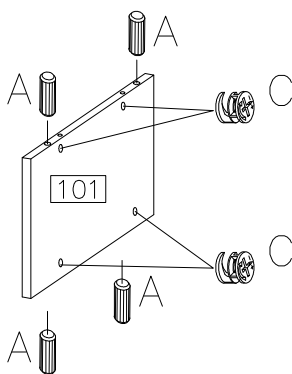
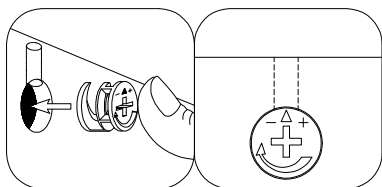
1

	$\varnothing 3.5 \times 16 \text{ mm}$ 	
D1	P3	F4
8	12	4




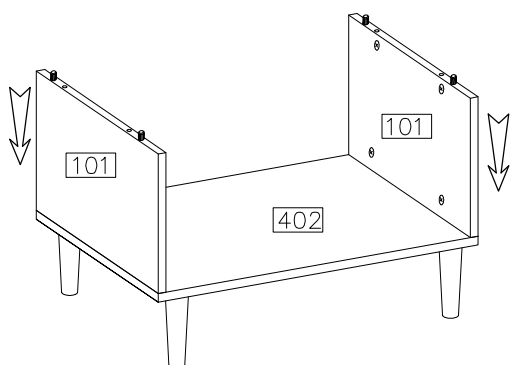
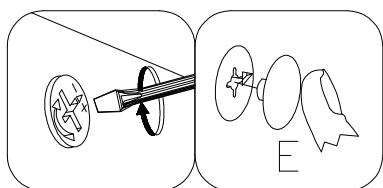
2

$\varnothing 15/12$ 	$\varnothing 8 \times 30$ 
C	A
8	8




3


E
4



4


E
4

