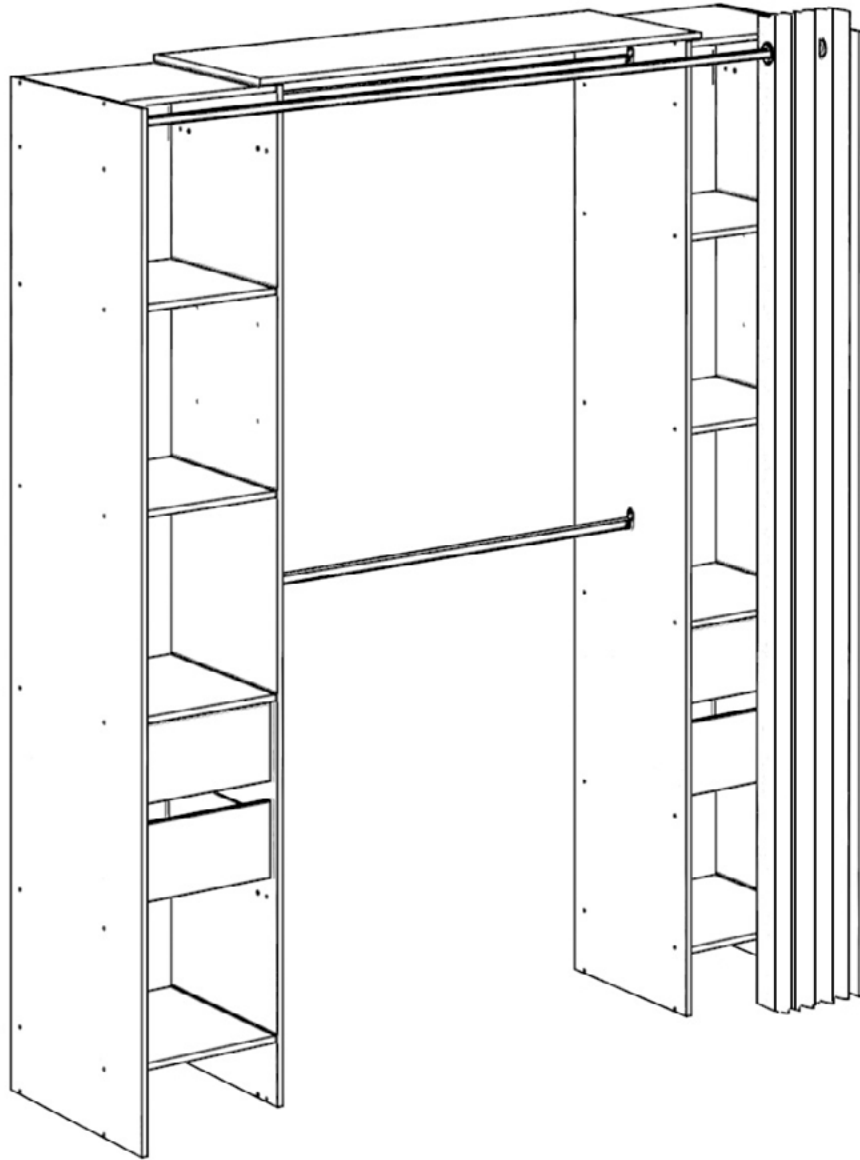
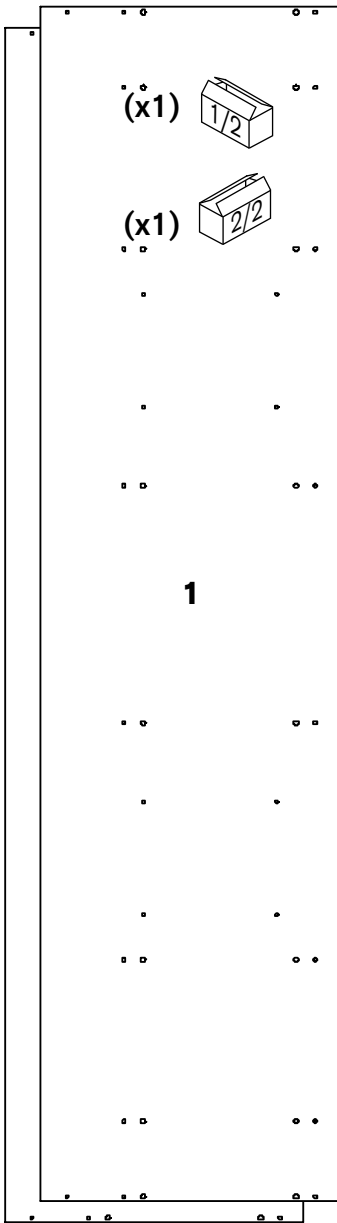


8 mm.



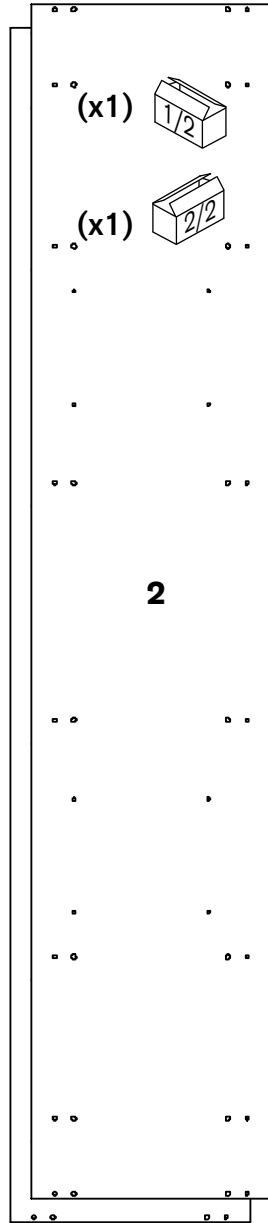
2 h.





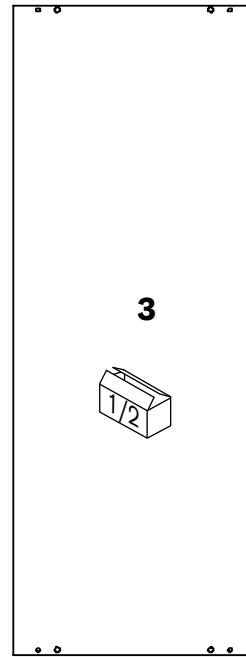
1

2030 x 499 mm.



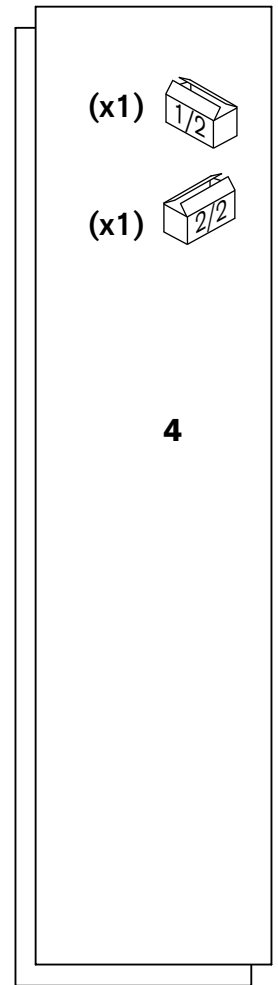
2

2030 x 399 mm.



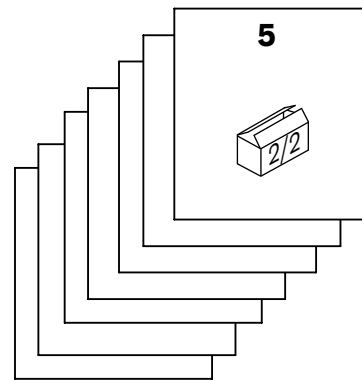
3

1100 x 400 mm.



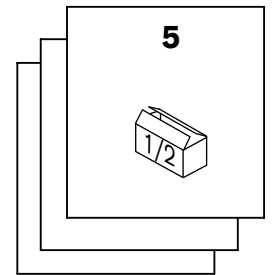
4

1625 x 393 mm.



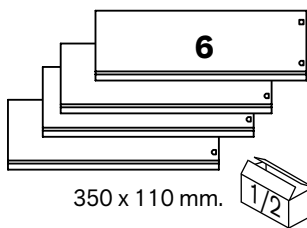
5

363 x 397 mm.



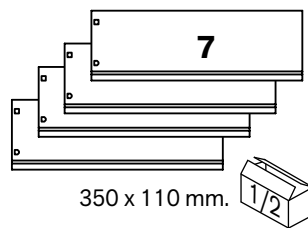
5

363 x 397 mm.



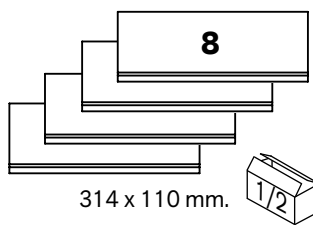
6

350 x 110 mm.



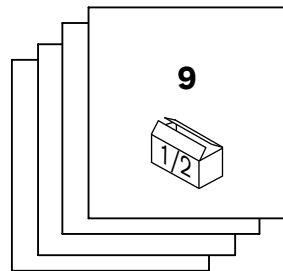
7

350 x 110 mm.



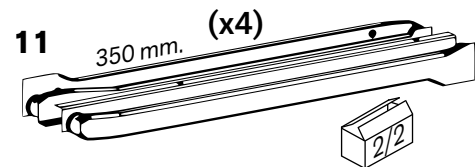
8

314 x 110 mm.



9

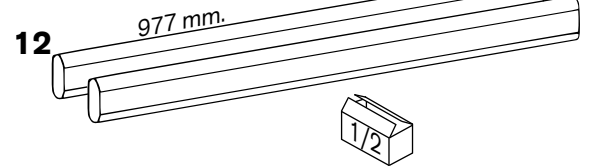
326 x 351 mm.



11

350 mm.

(x4)



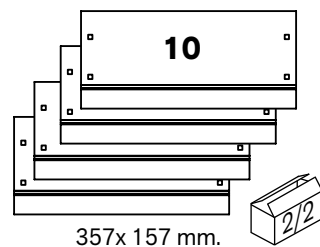
12

977 mm.



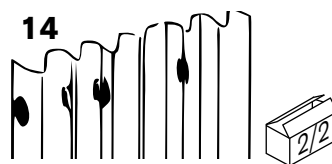
13

1735 mm.



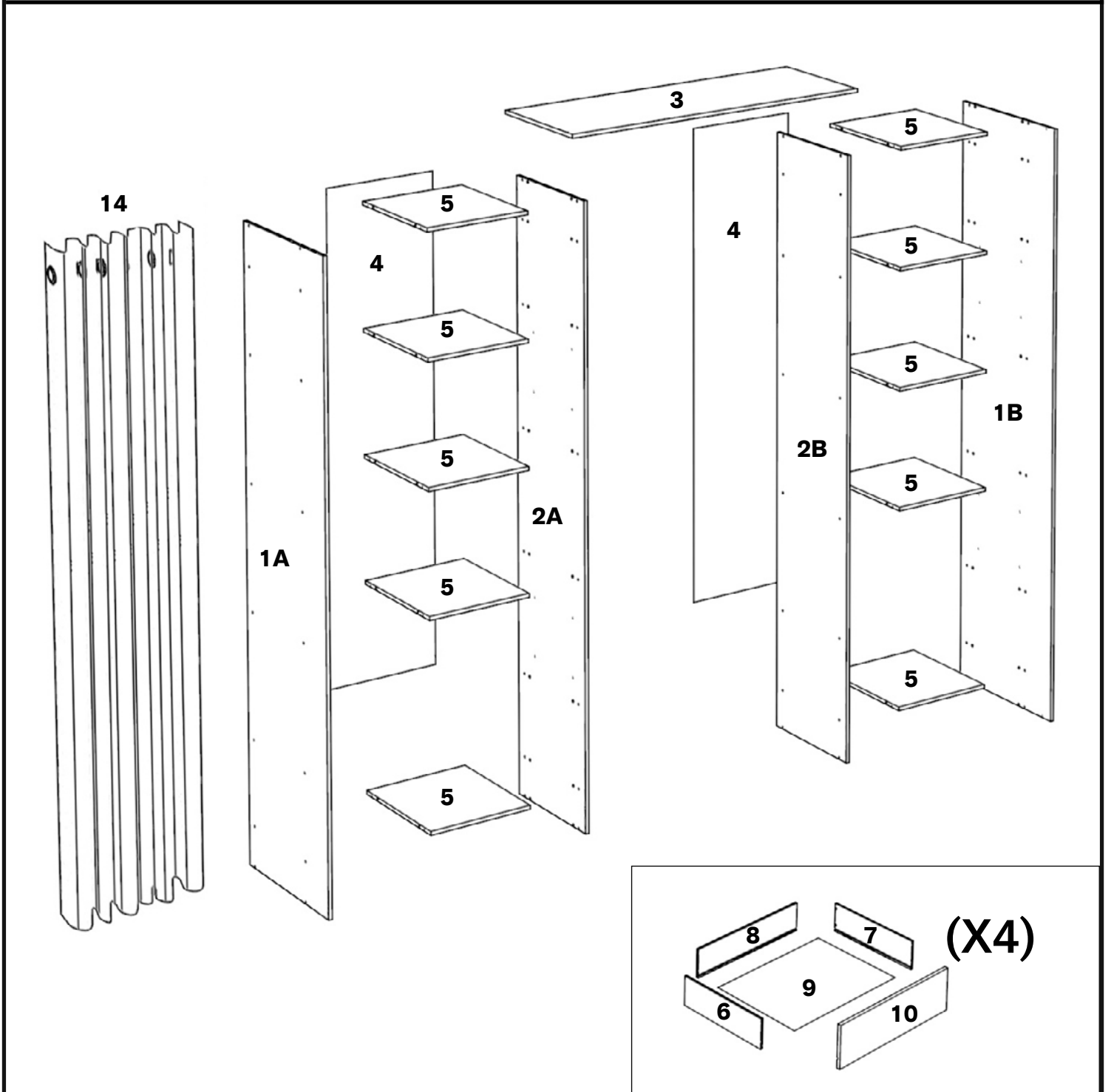
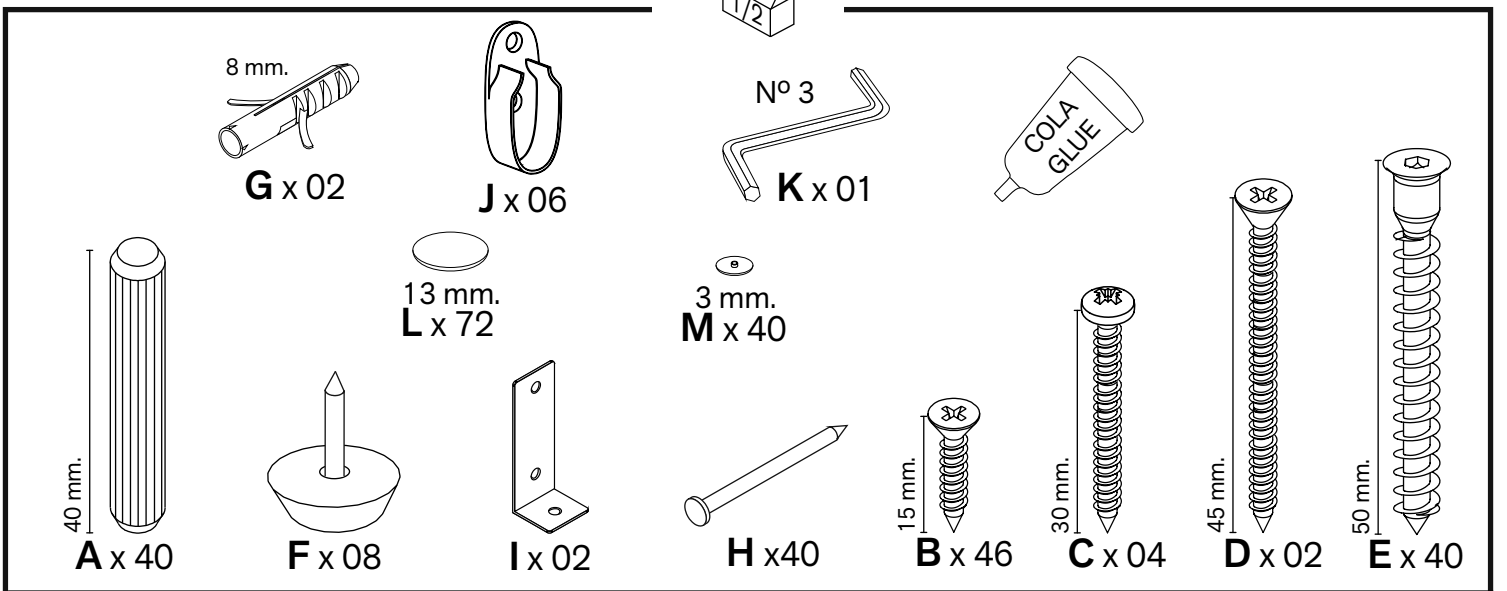
10

357x 157 mm.



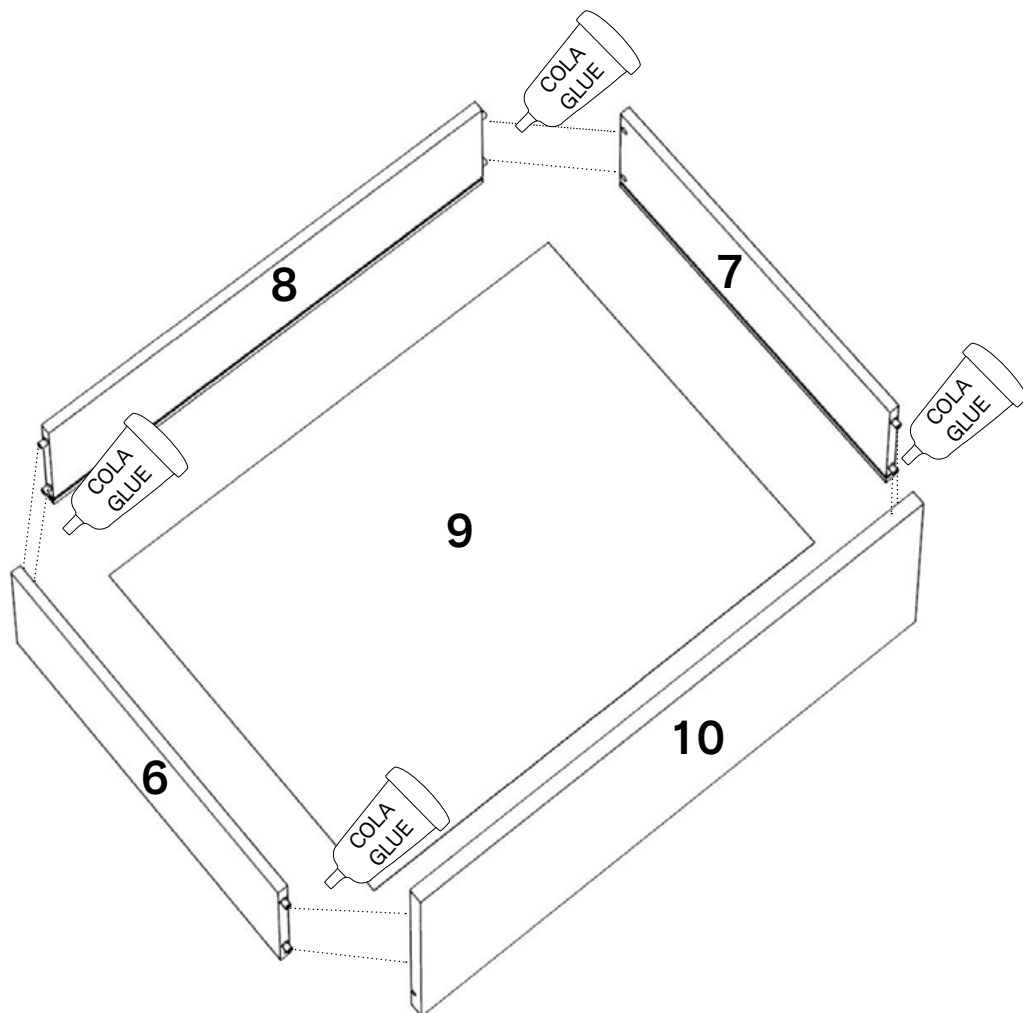
14

2/2



1

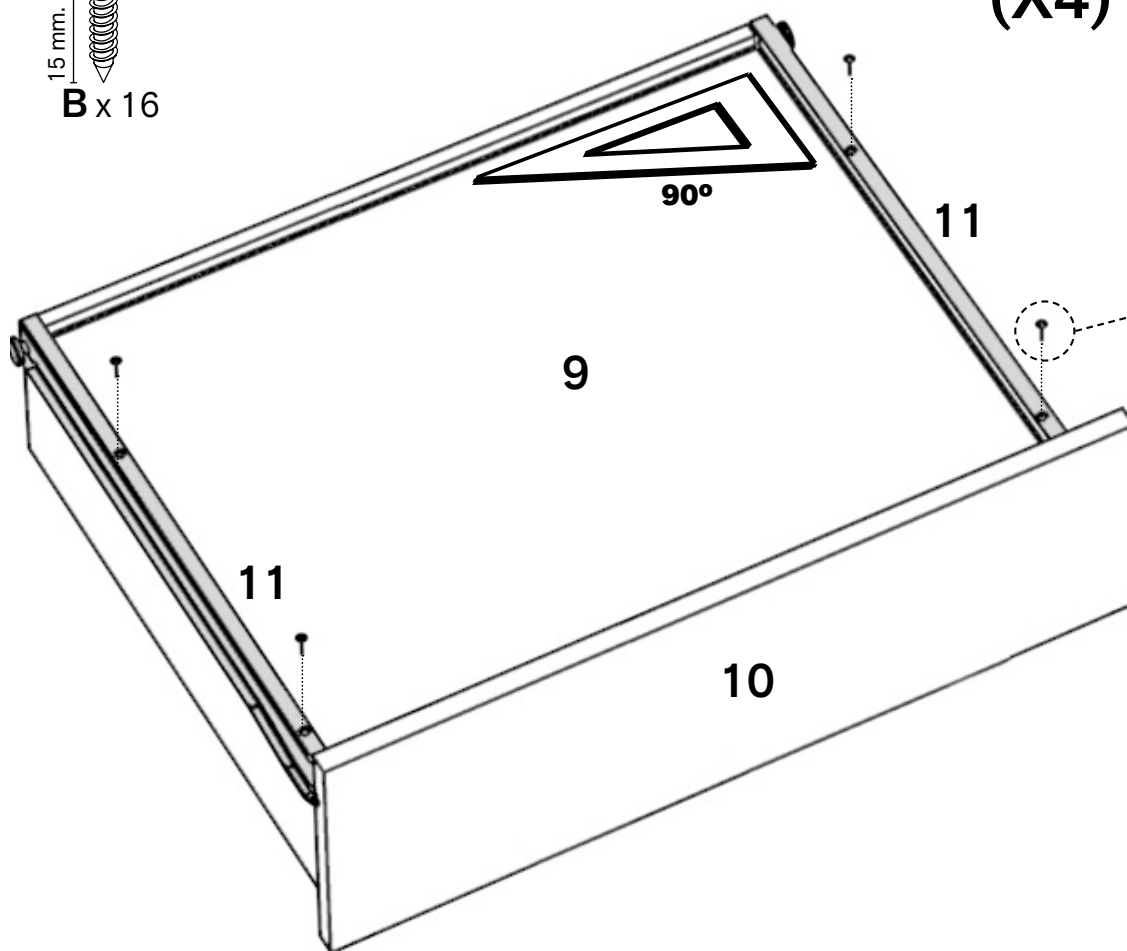
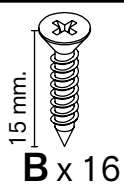
(X4)



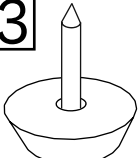
2

(X4)

180°



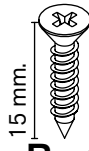
3



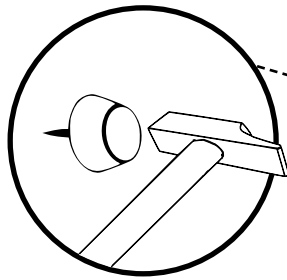
F x 04



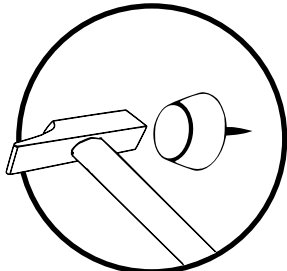
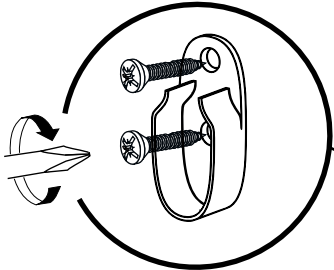
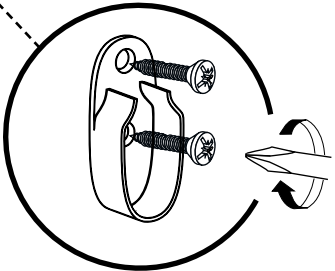
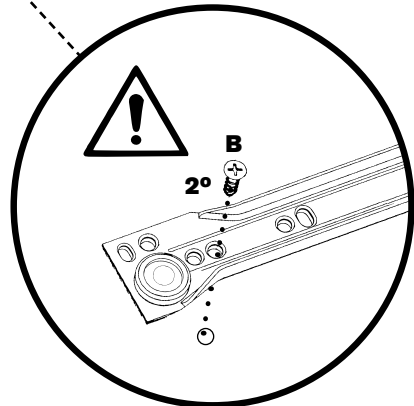
J x 02



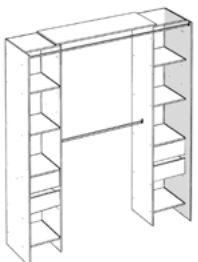
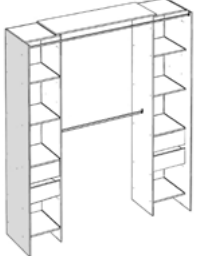
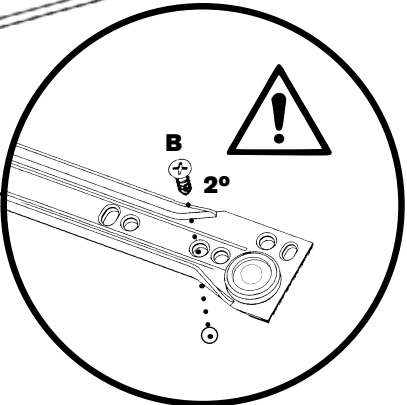
15 mm.  
B x 12



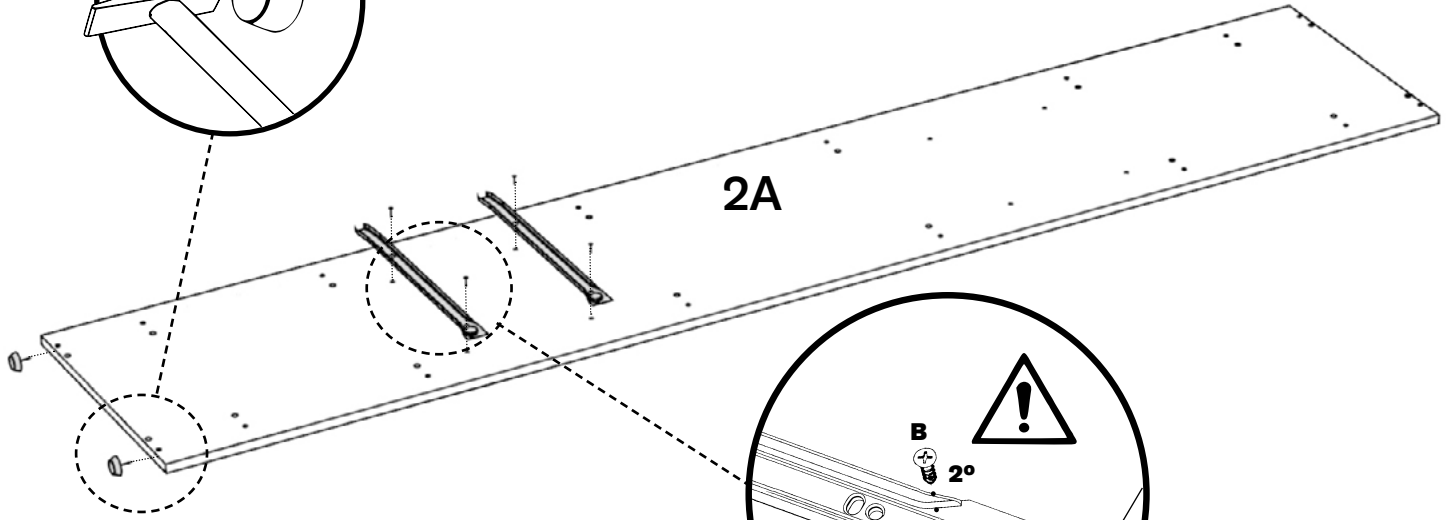
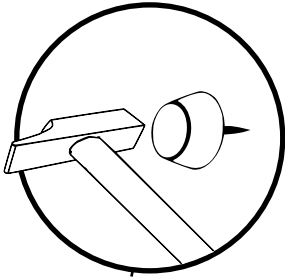
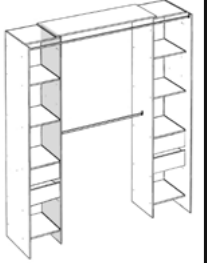
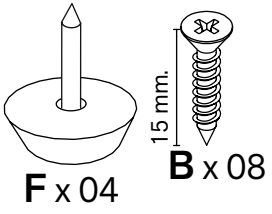
1A



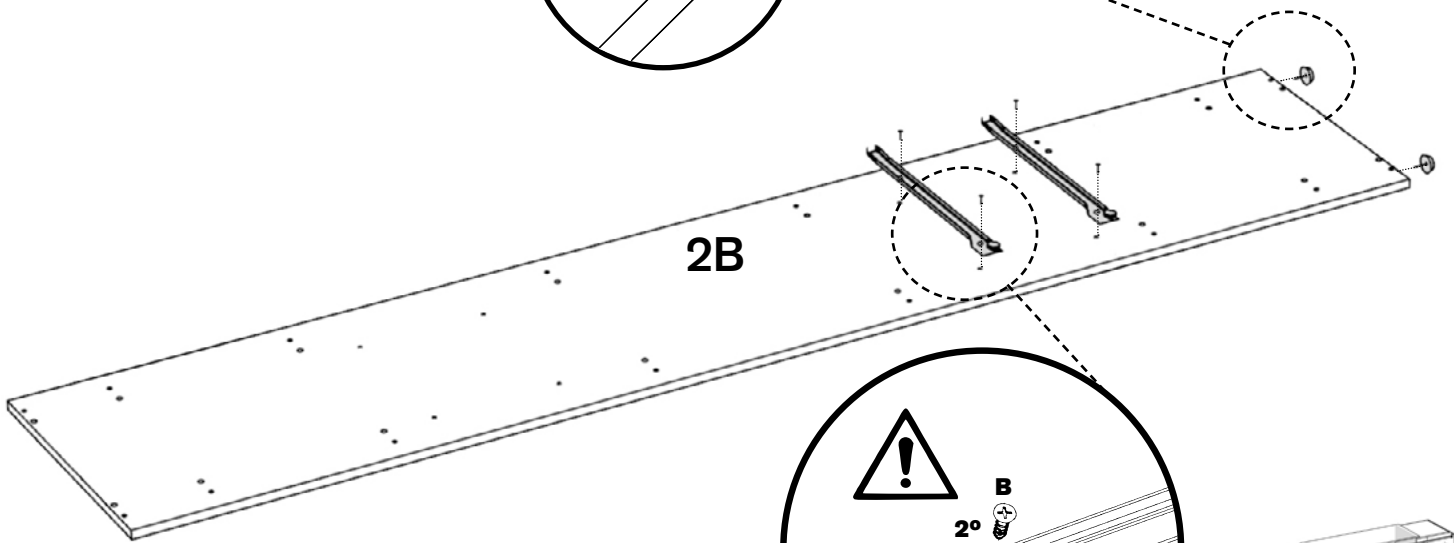
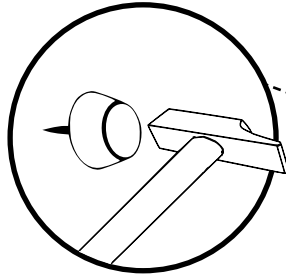
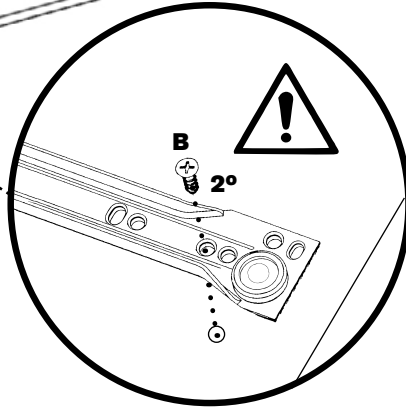
1B



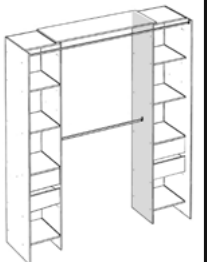
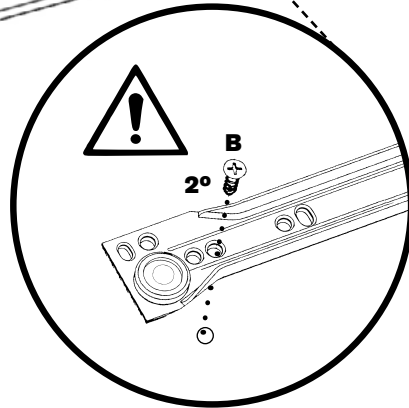
4



2A

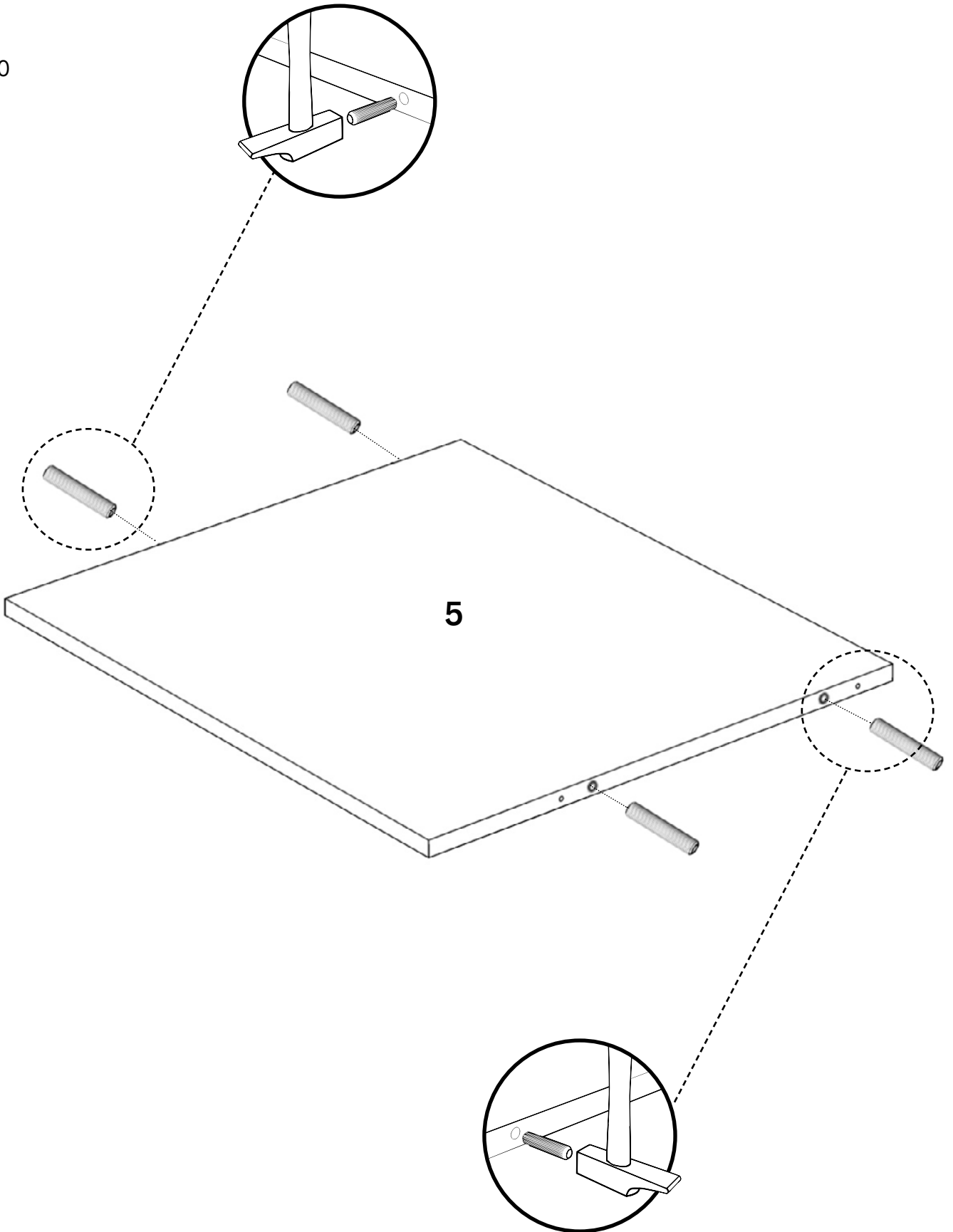
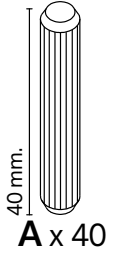


2B

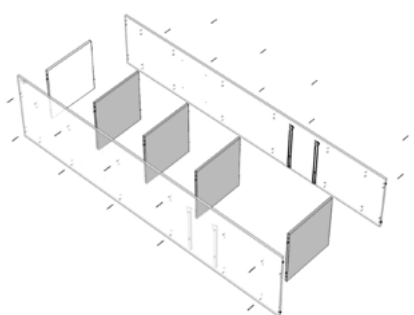
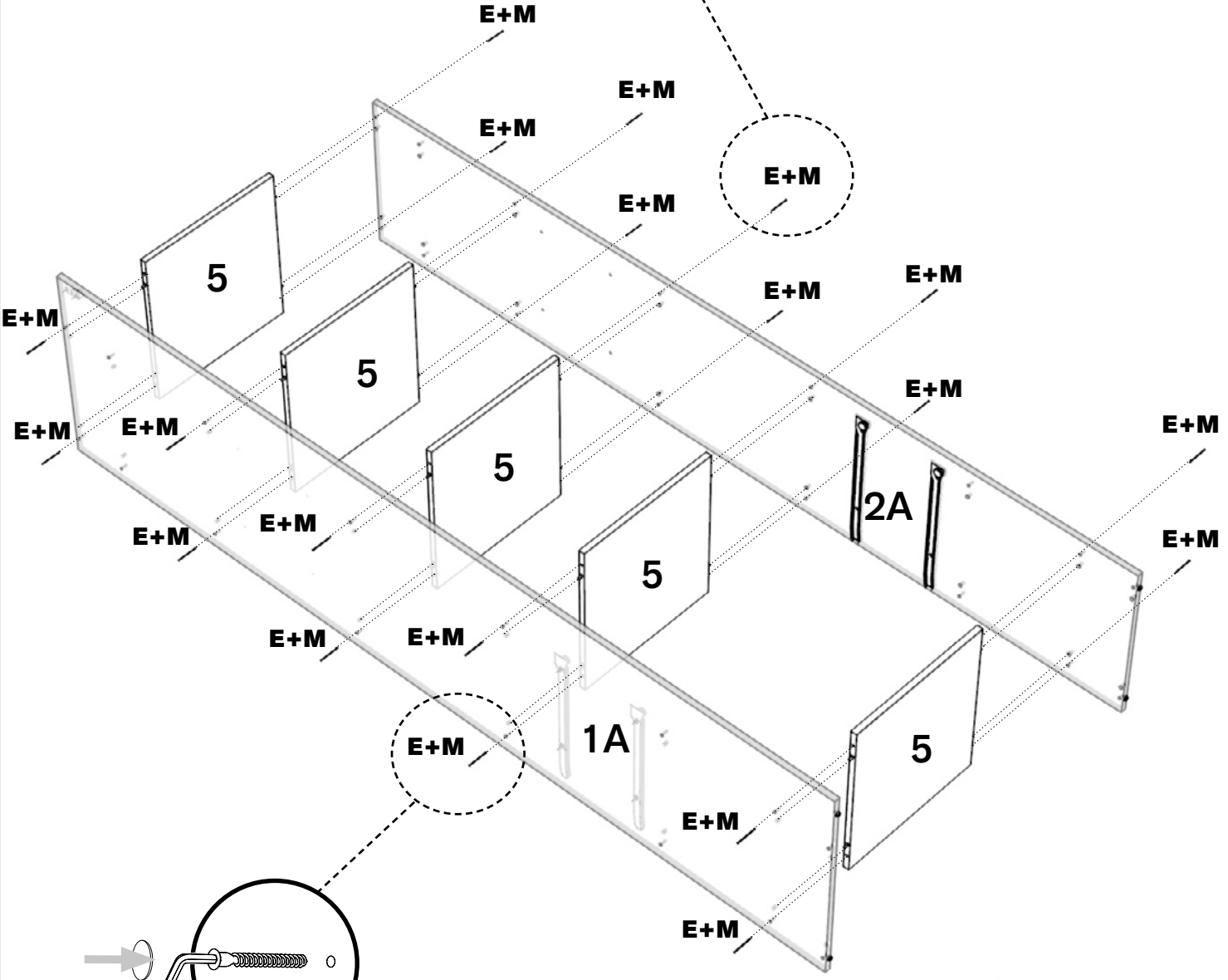
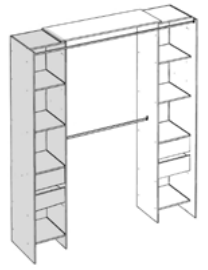
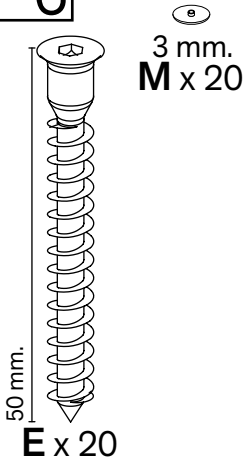


5

(X10)



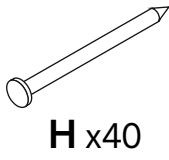
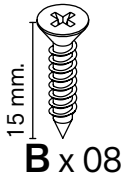
6



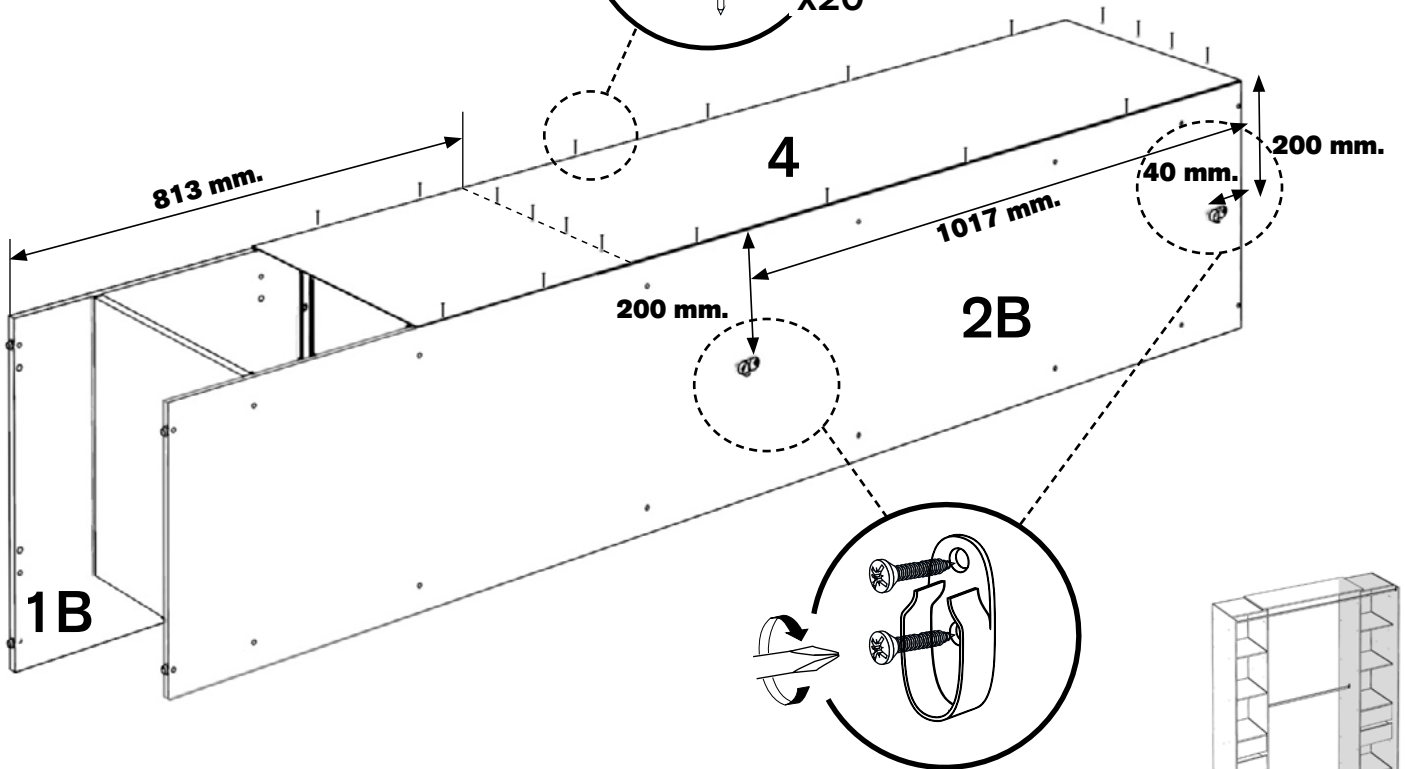
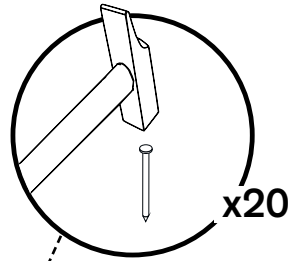
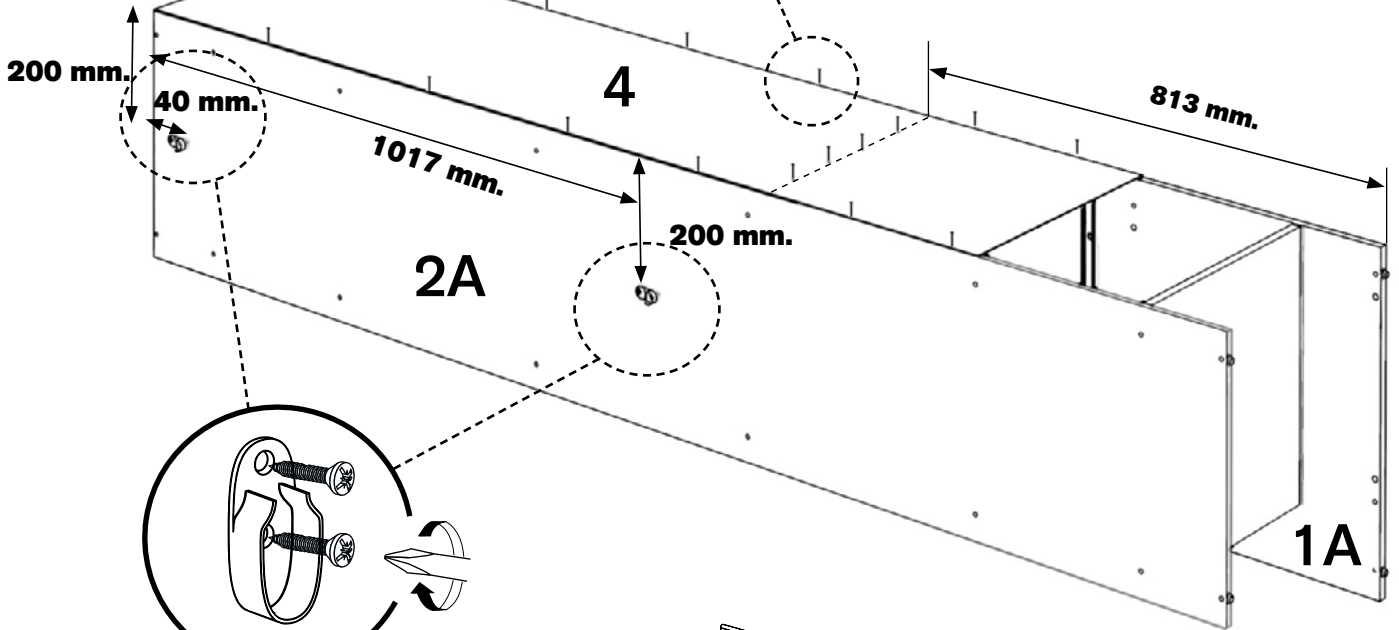
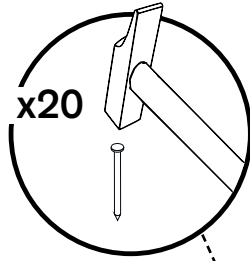
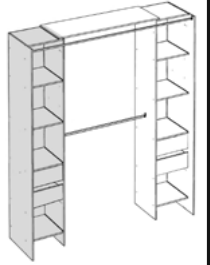




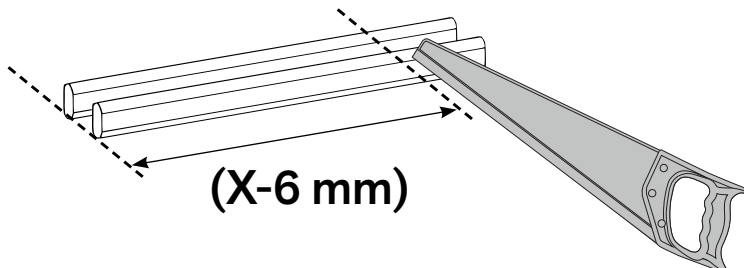
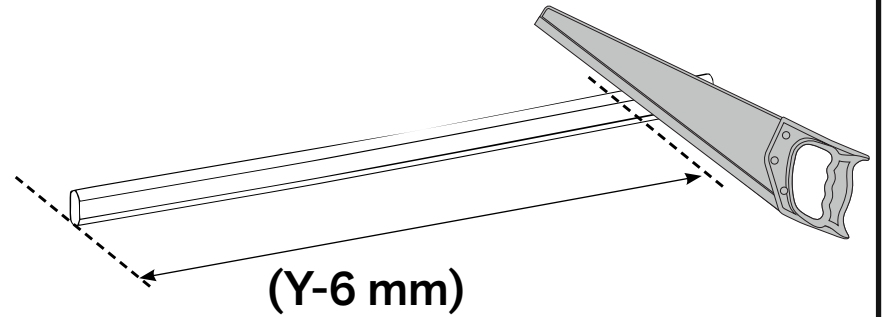
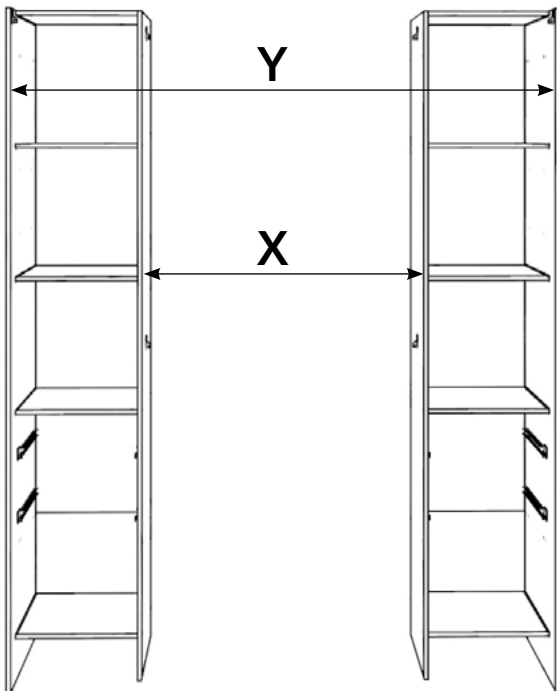
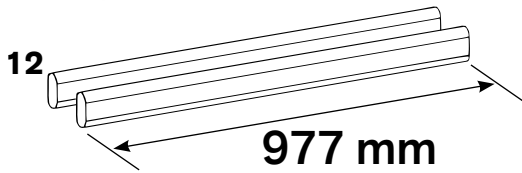
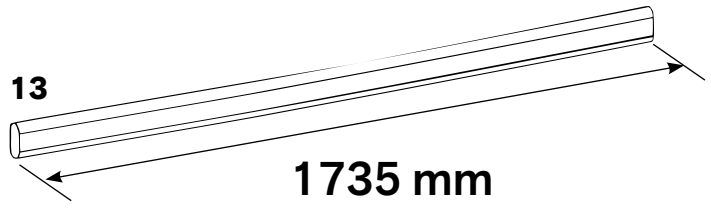
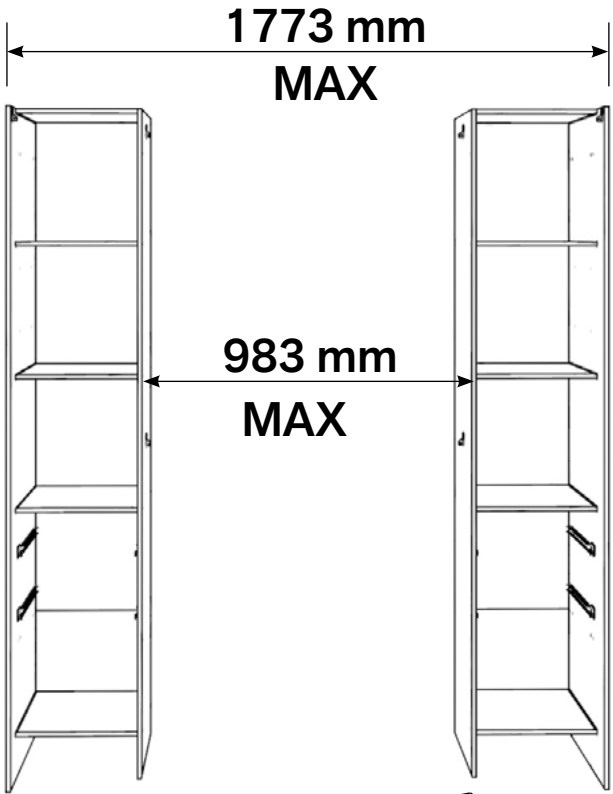
8



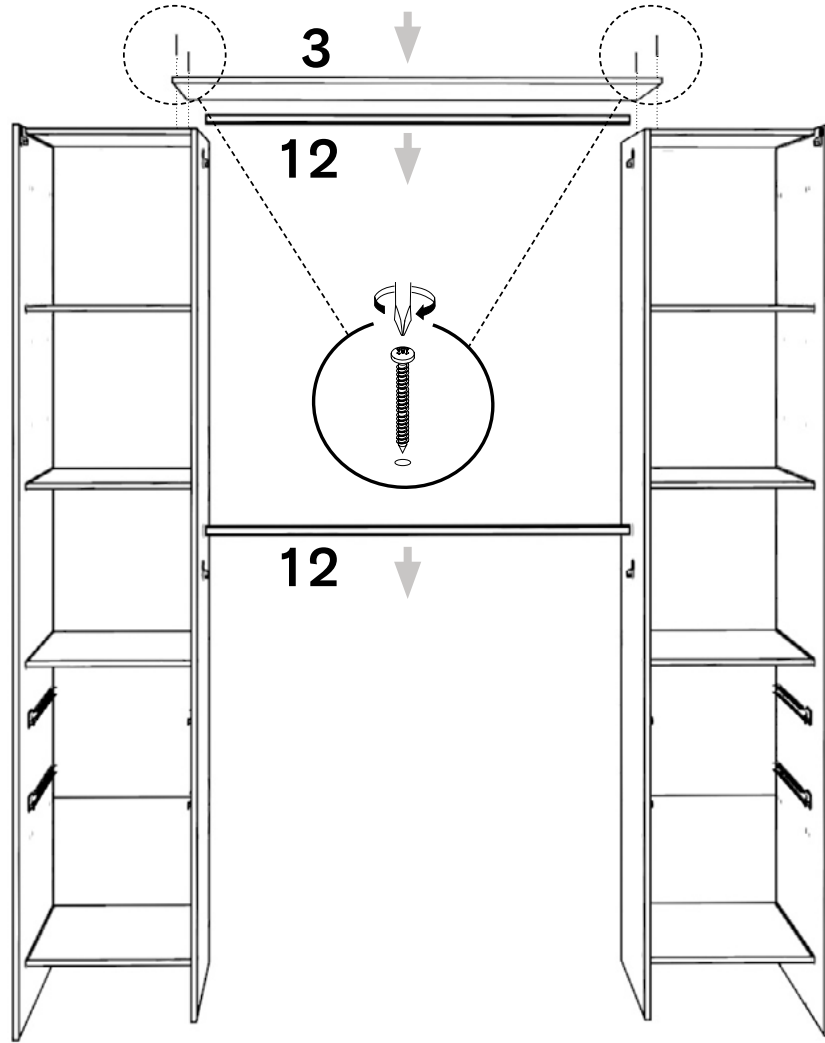
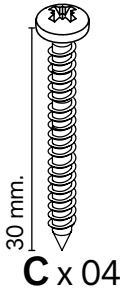
180°



9

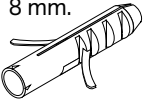


10

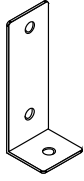


11

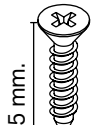
8 mm.



G x 02

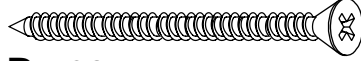


I x 02

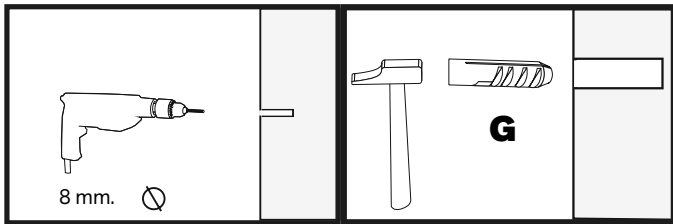
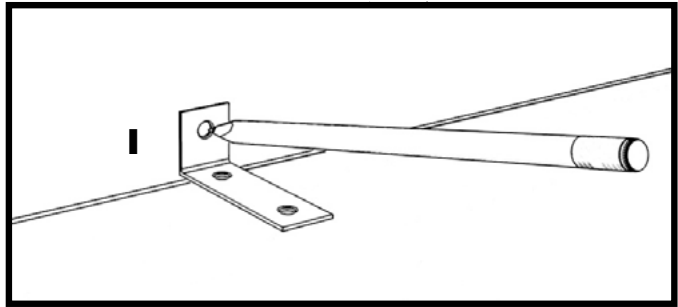
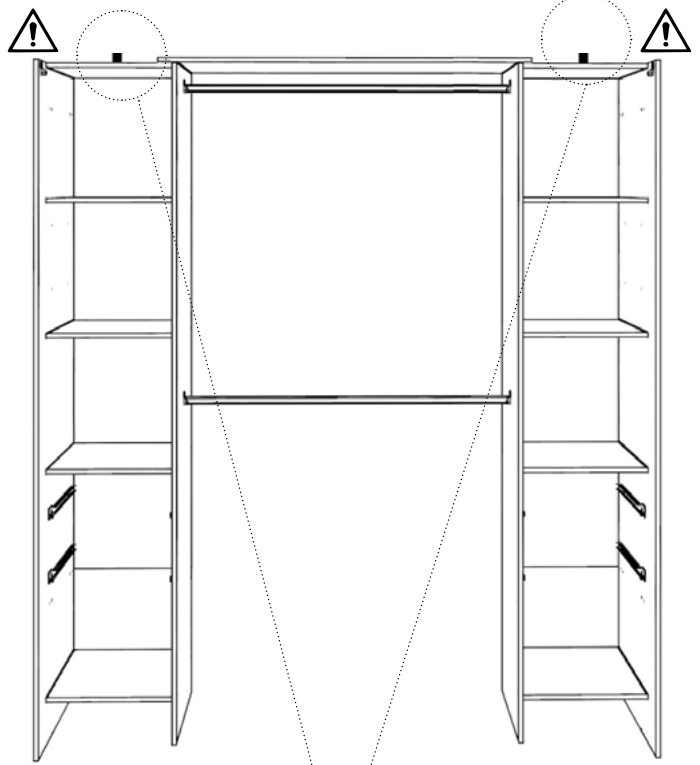
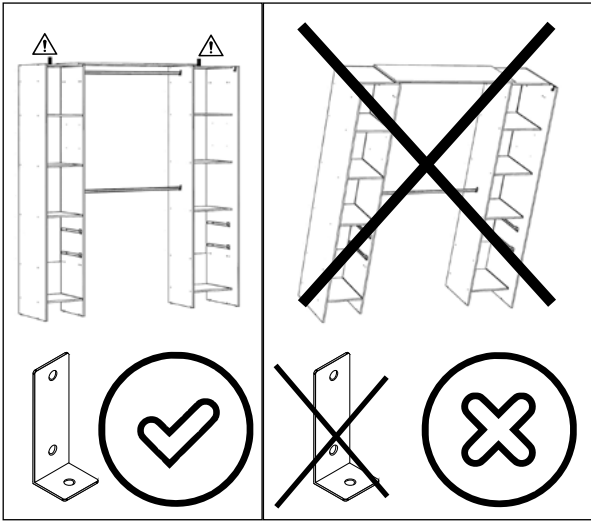


B x 02

45 mm.



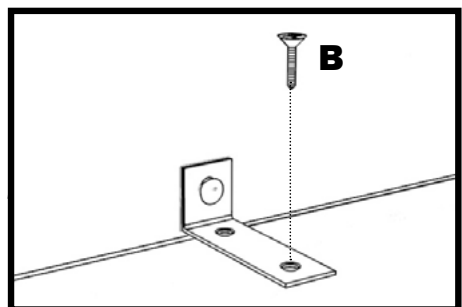
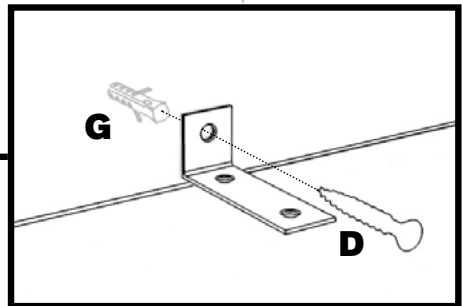
D x 02



8 mm. ⌀

G

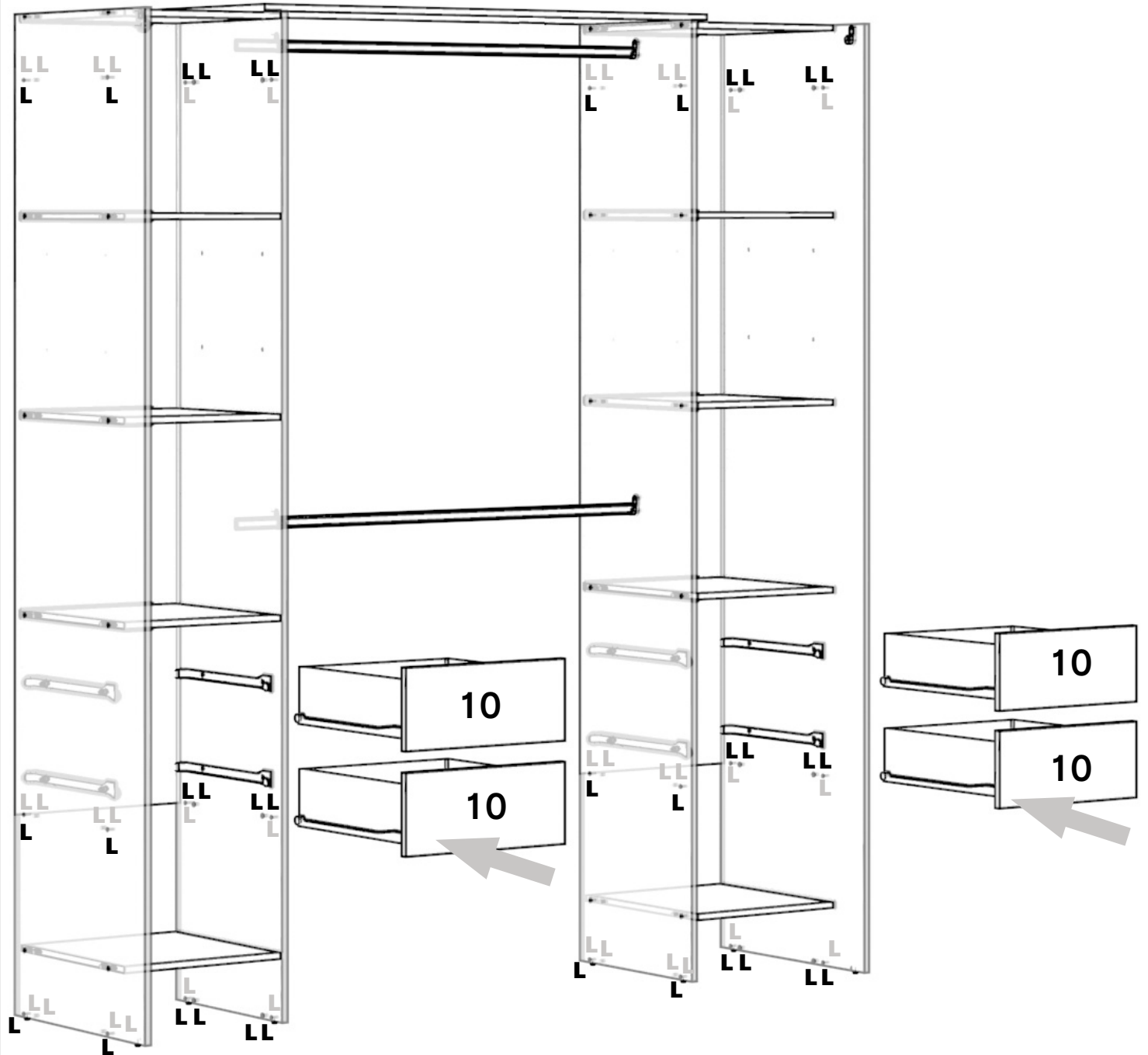
D



12



13 mm.  
L x 72



13

