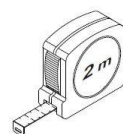
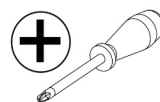
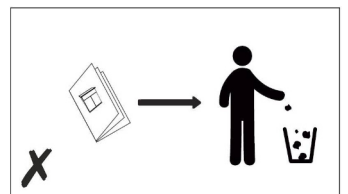
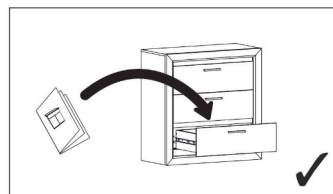
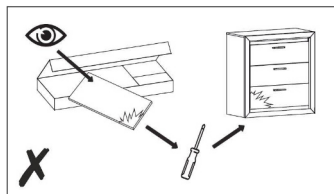
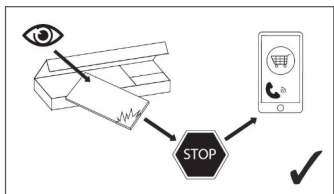
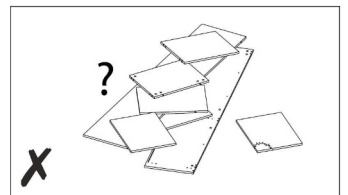
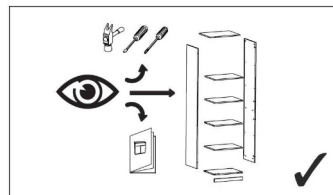
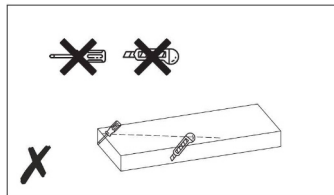
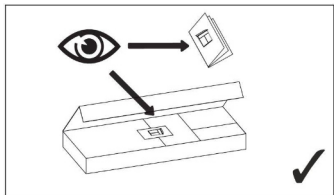
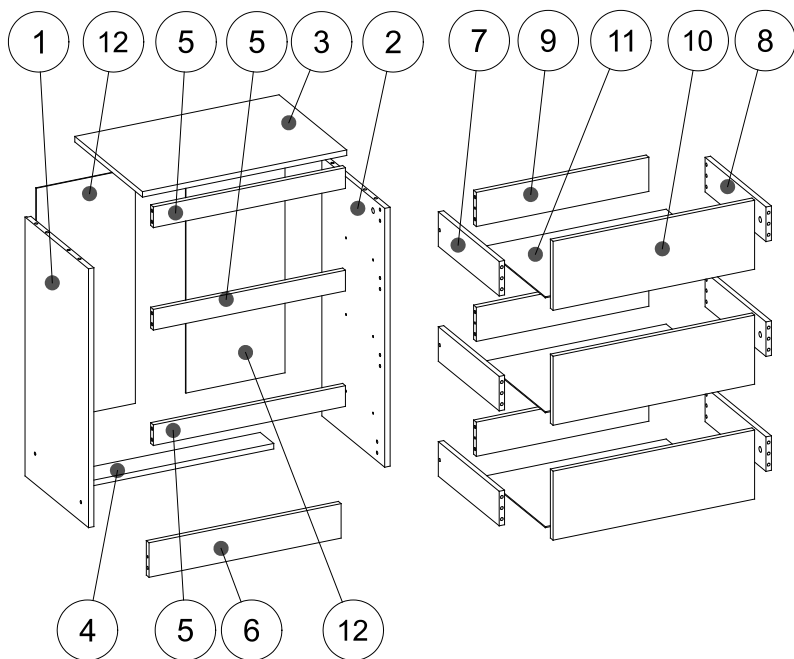


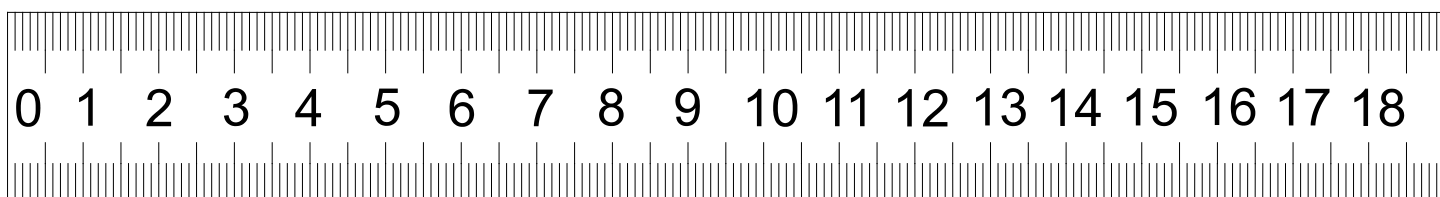
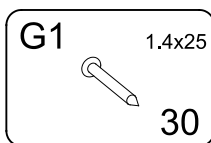
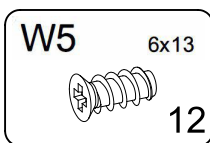
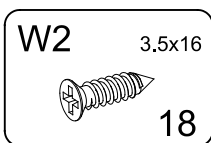
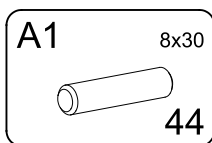
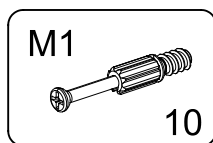
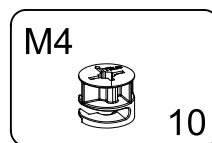
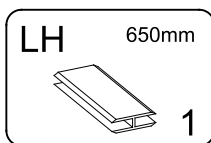
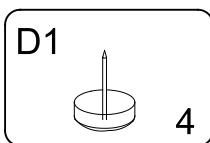
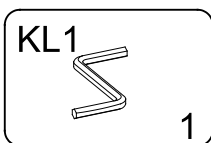
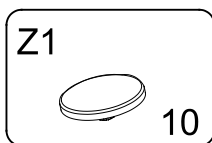
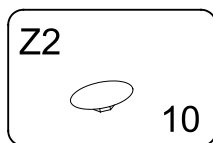
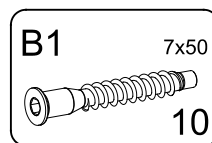
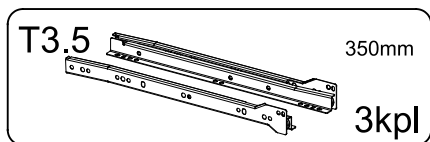
~70min



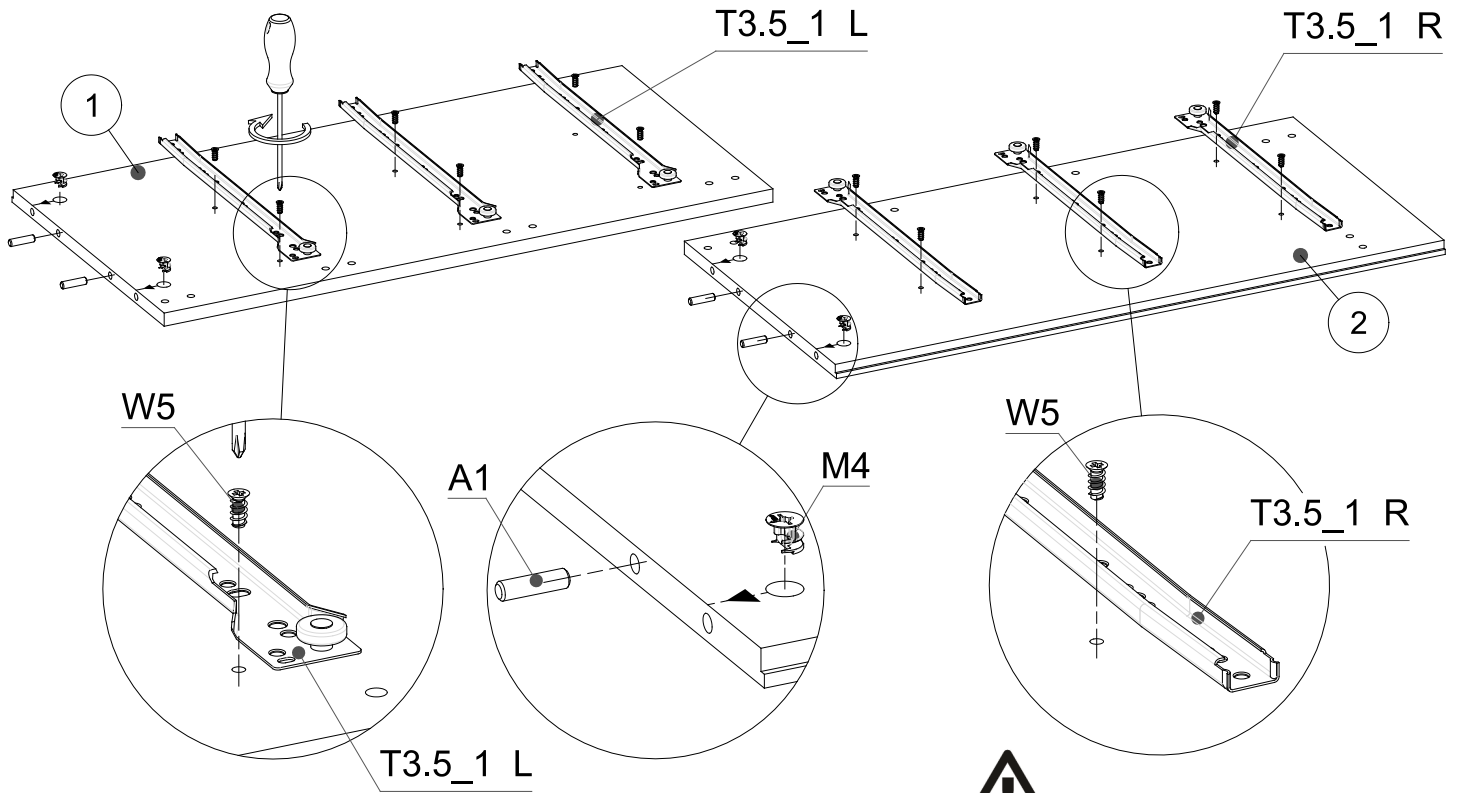
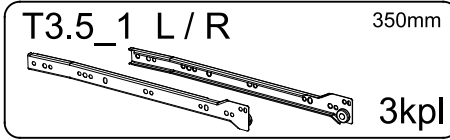
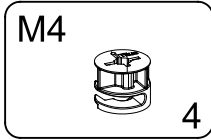
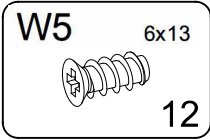
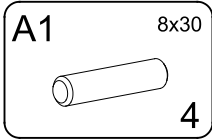
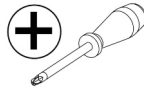




1	750x375x16mm	1
2	750x375x16mm	1
3	604x400x16mm	1
4	568x80x16mm	1
5	568x60x16mm	3
6	568x100x16mm	1
7	360x100x16mm	3
8	360x100x16mm	3
9	510x99x16mm	3
10	596x200x16mm	3
11	365x540x3mm	3
12	682x293x3mm	2

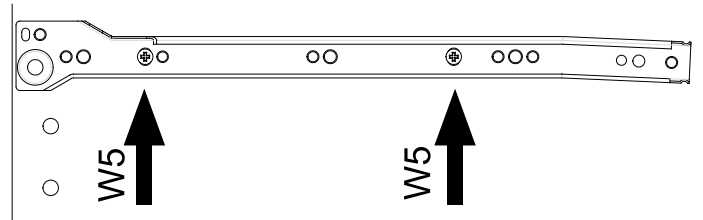
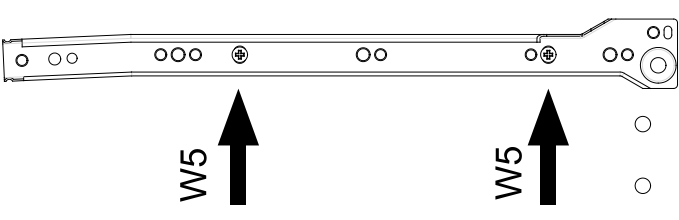


# ▶ 1

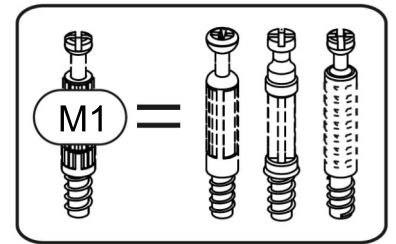
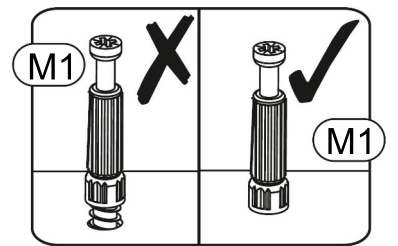
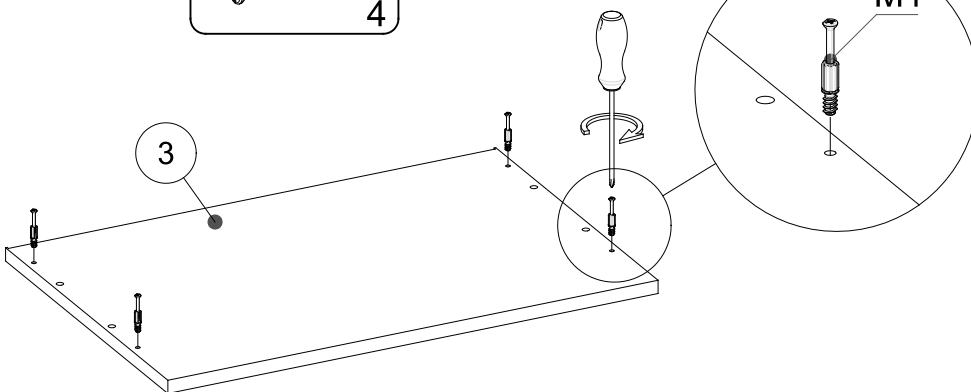
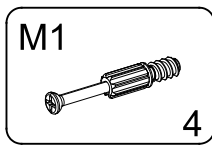
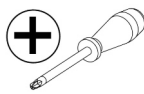


**T3.5\_1 R**

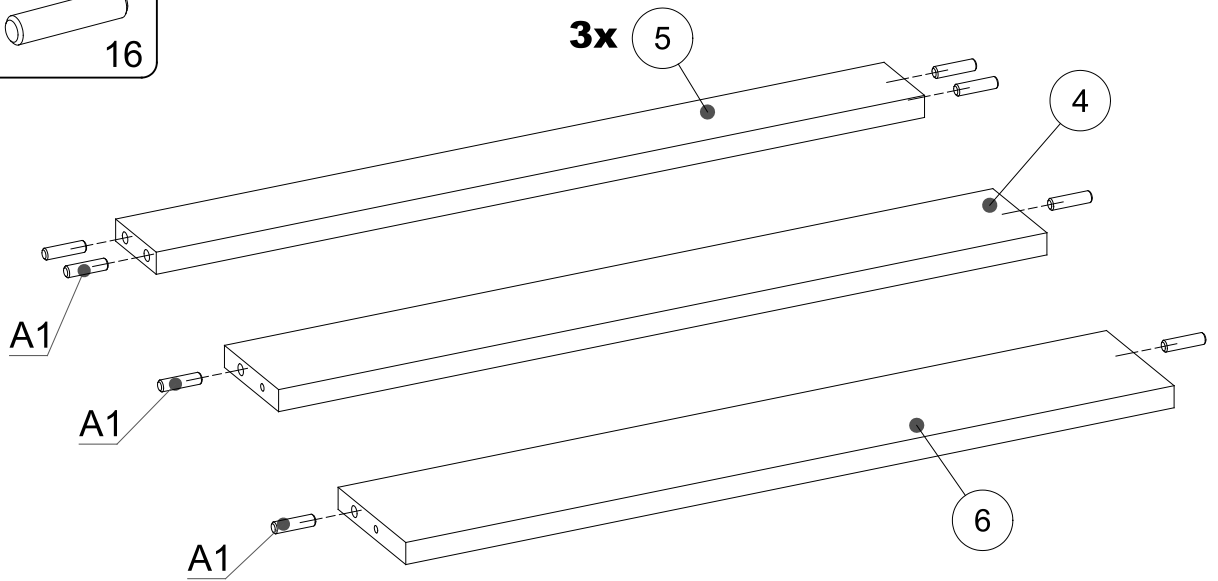
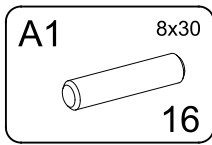
**T3.5\_1 L**



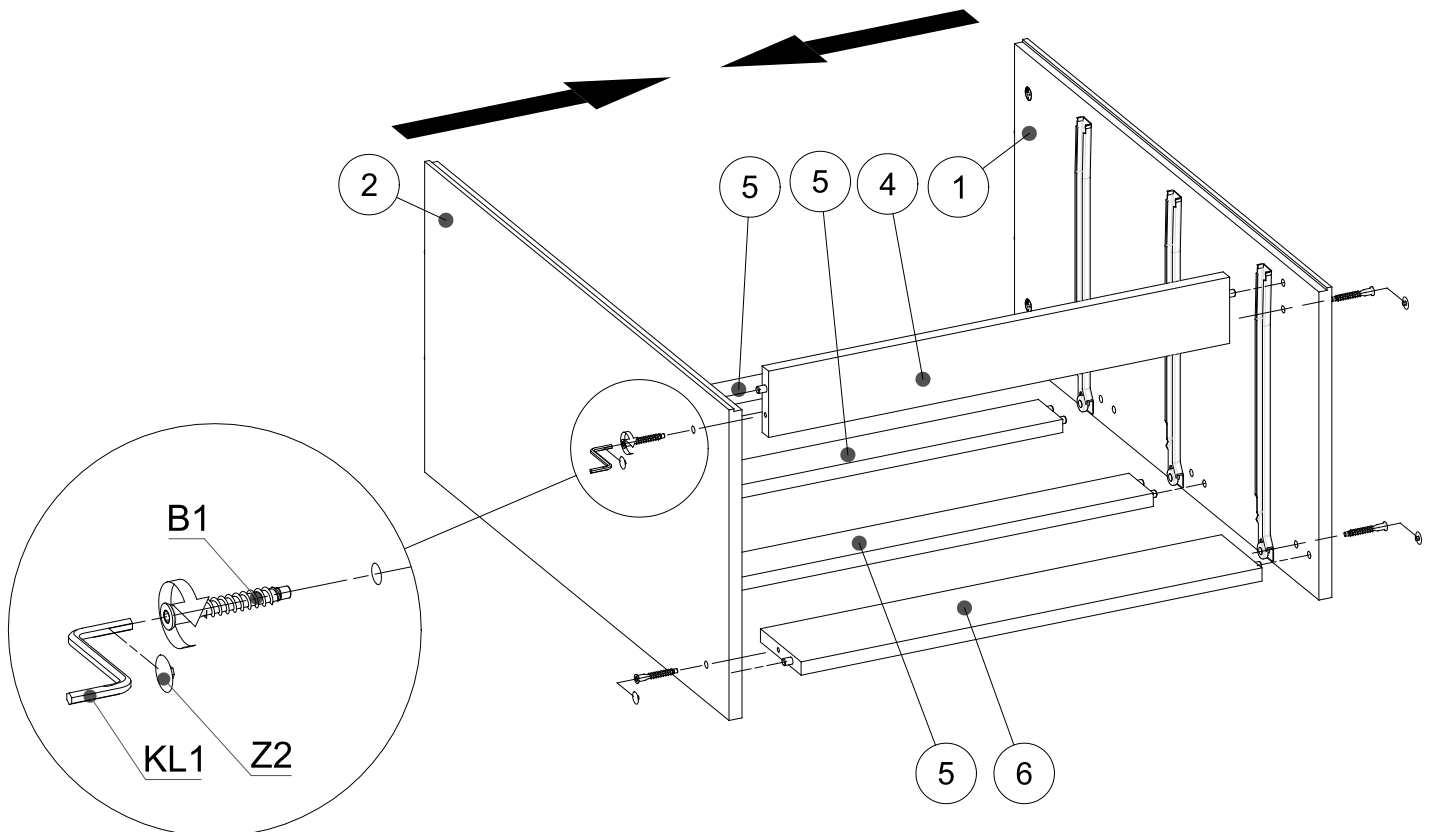
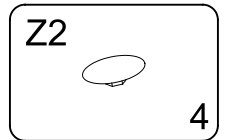
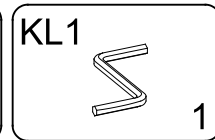
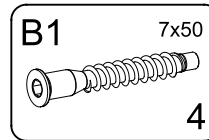
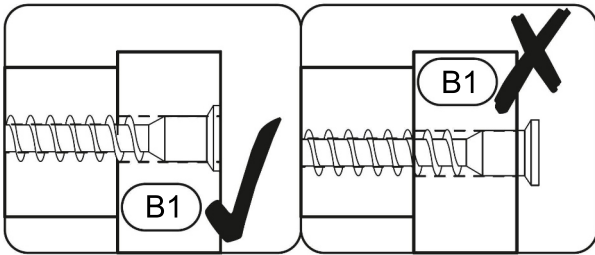
# ▶ 2

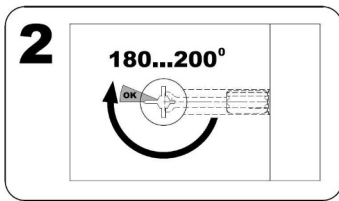
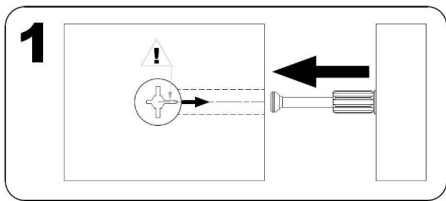


# ▶ 3

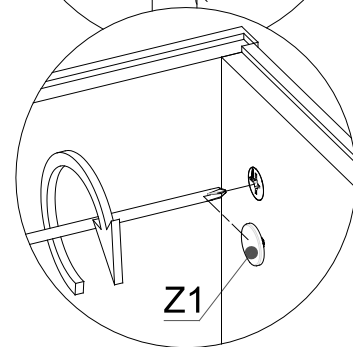
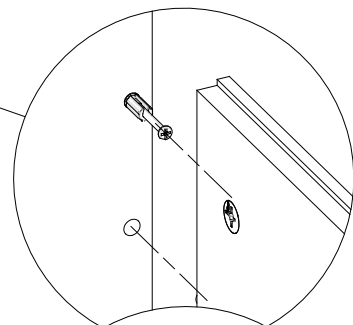
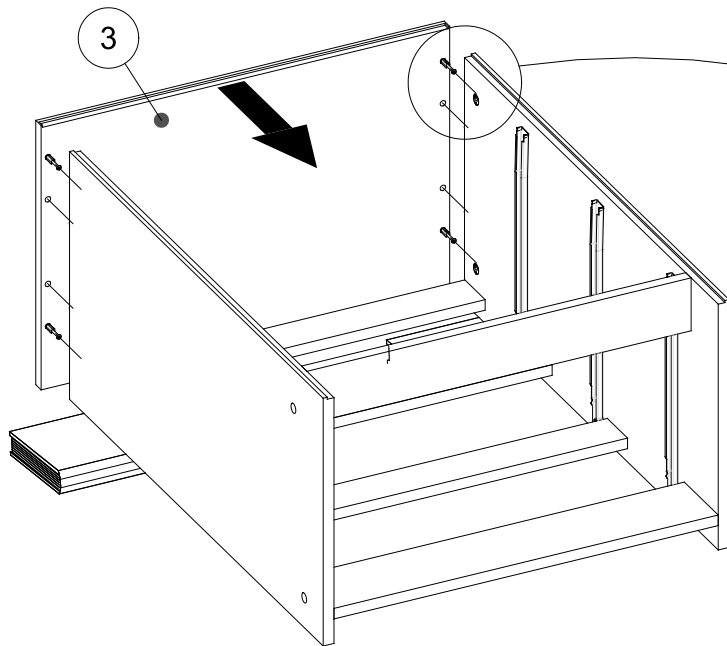
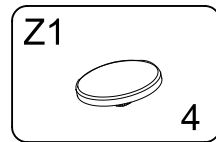
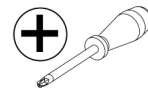


# ▶ 4

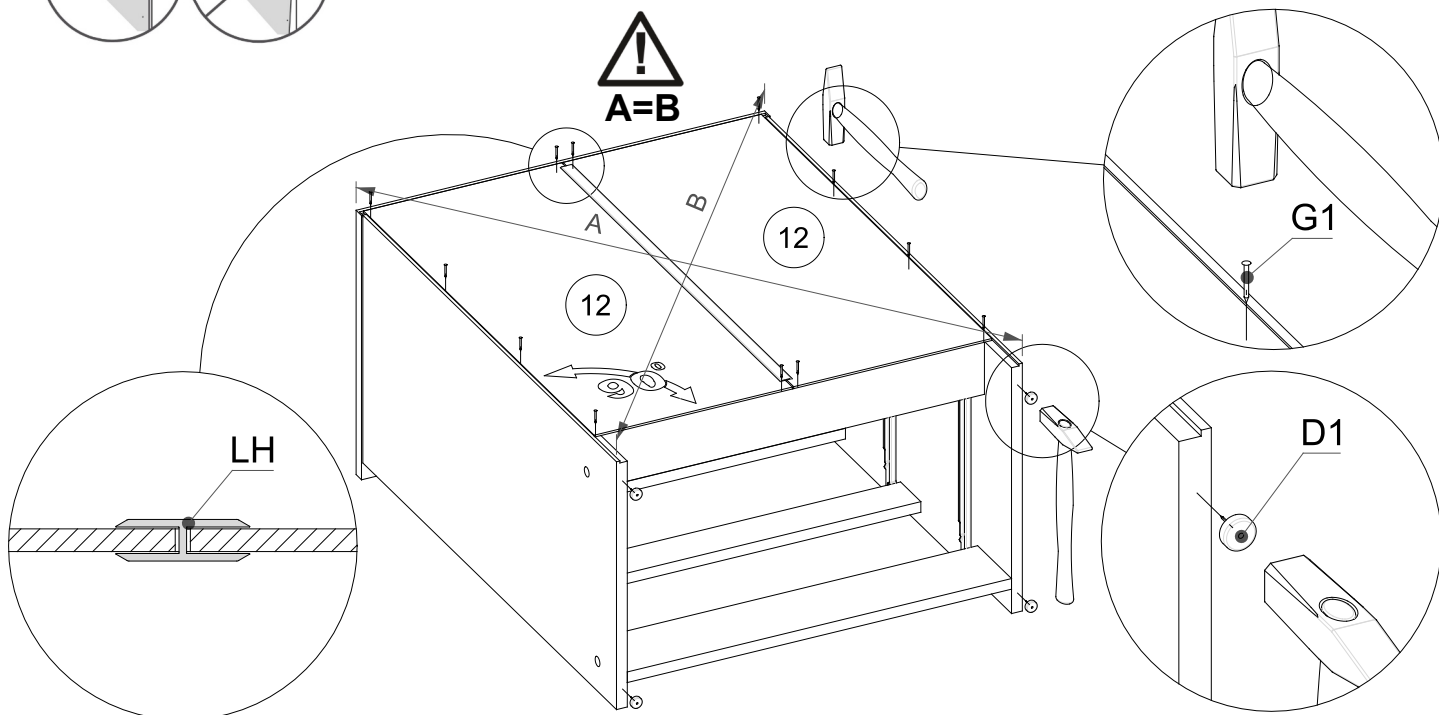
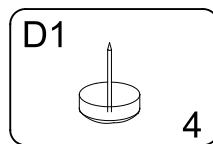
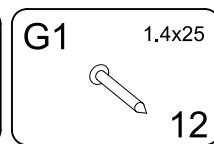
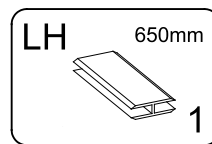
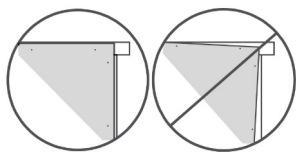




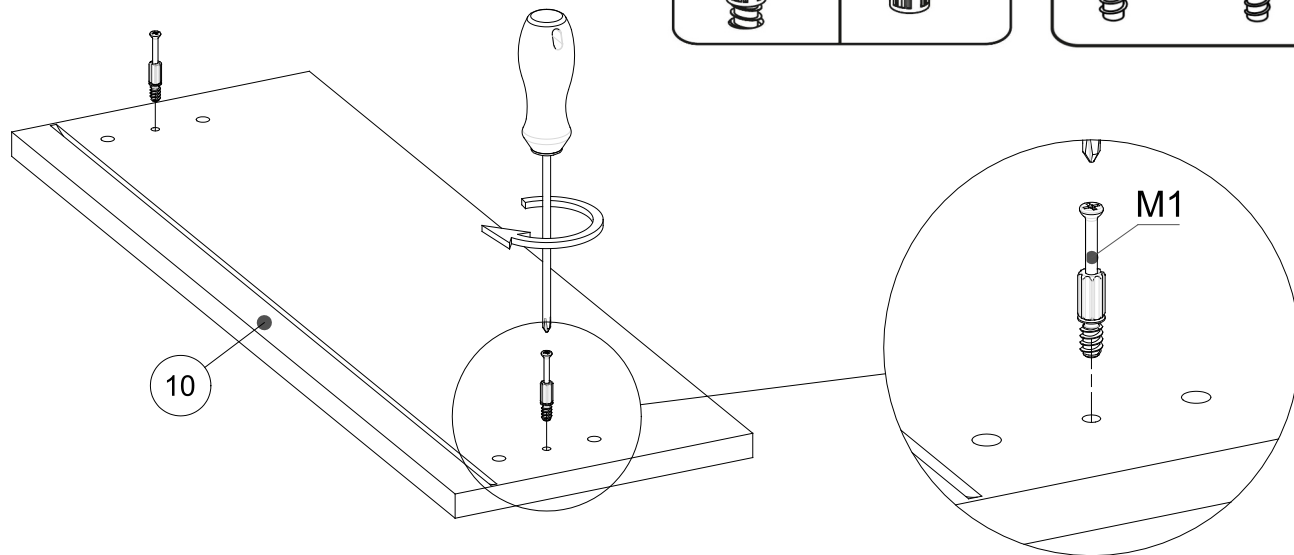
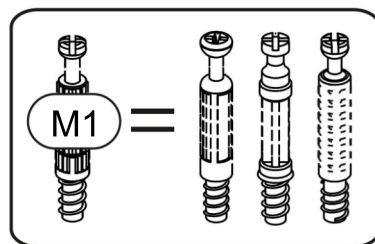
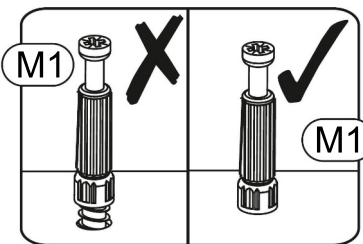
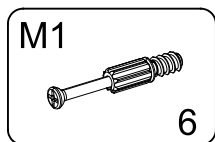
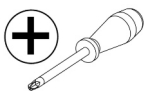
**5**



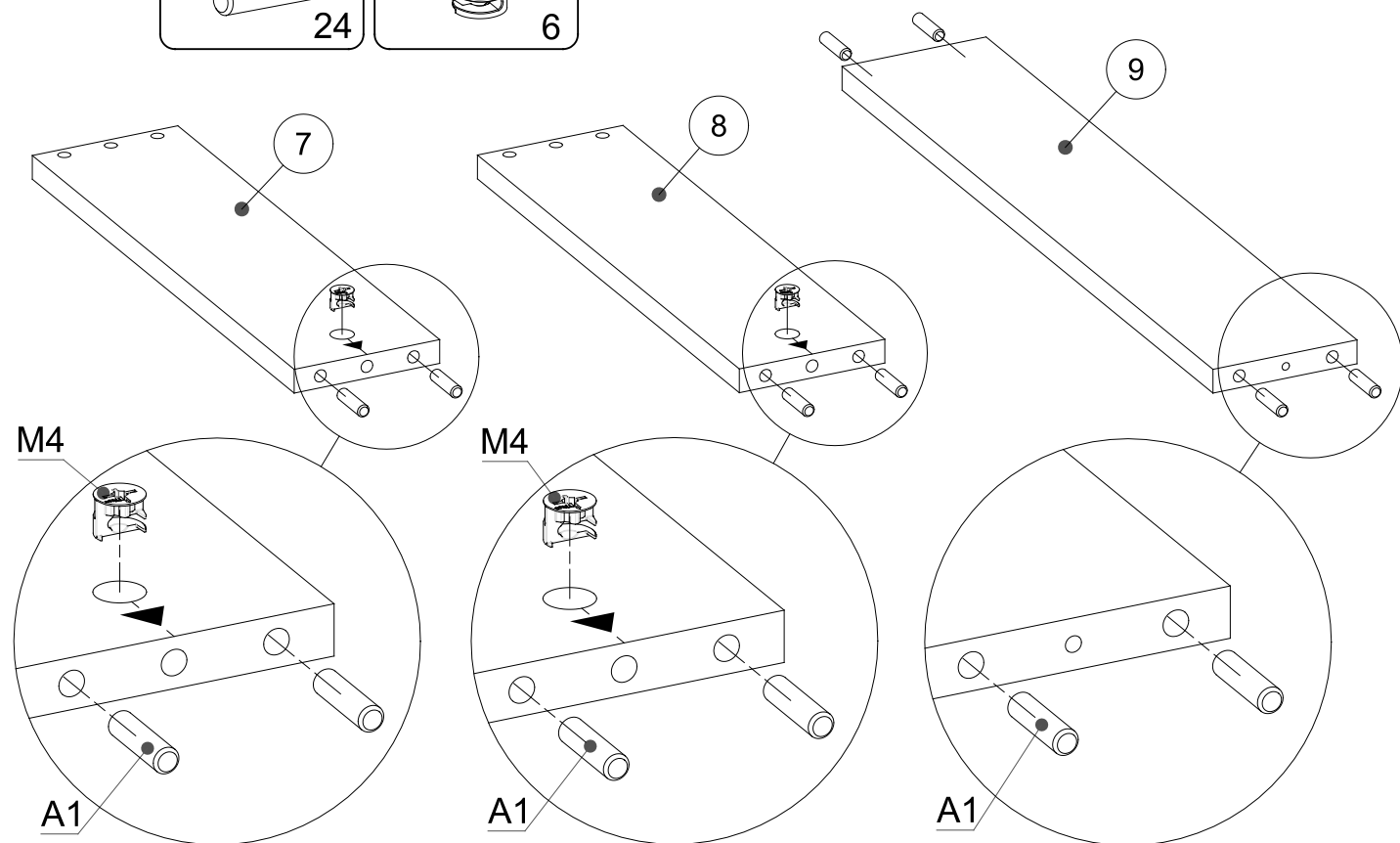
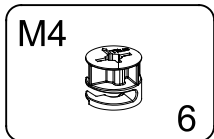
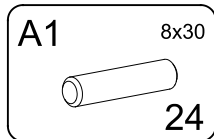
**6**



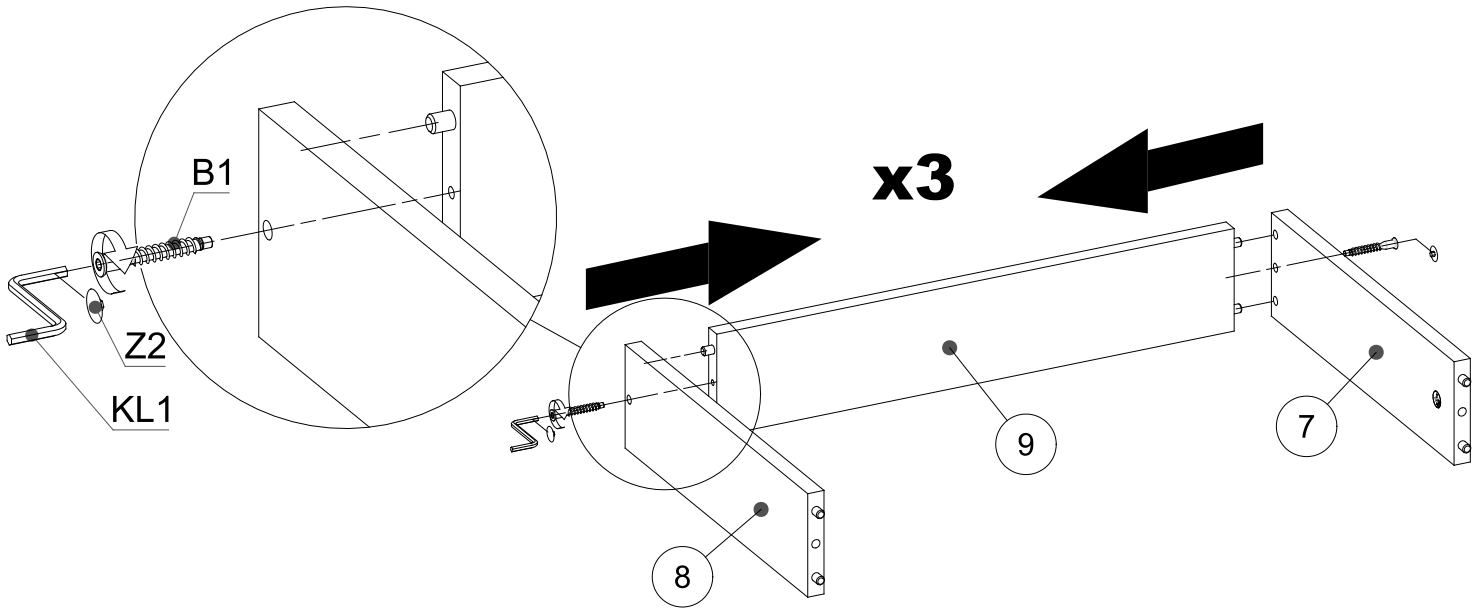
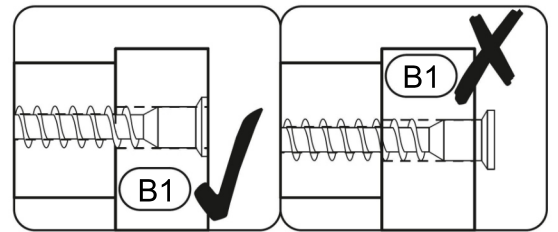
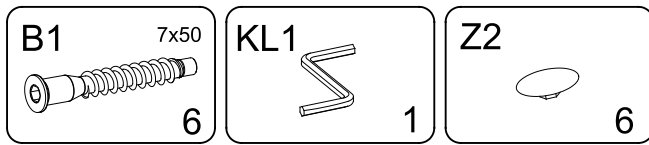
# ▶ 7



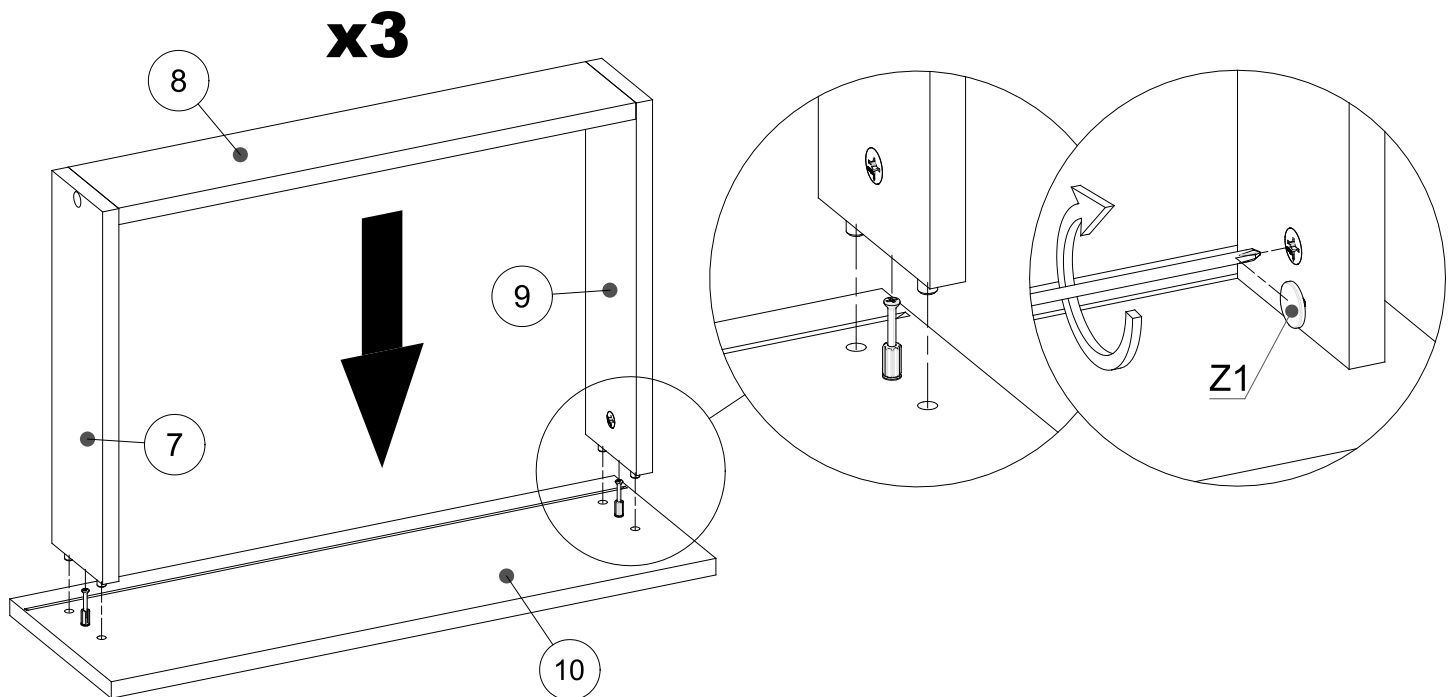
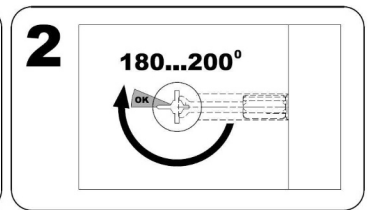
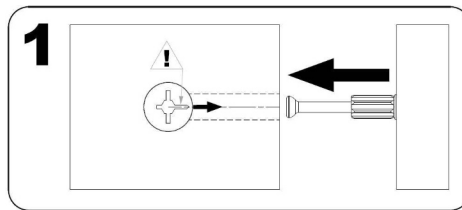
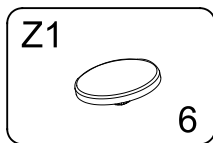
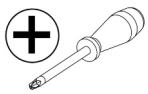
# ▶ 8



# ▶ 9

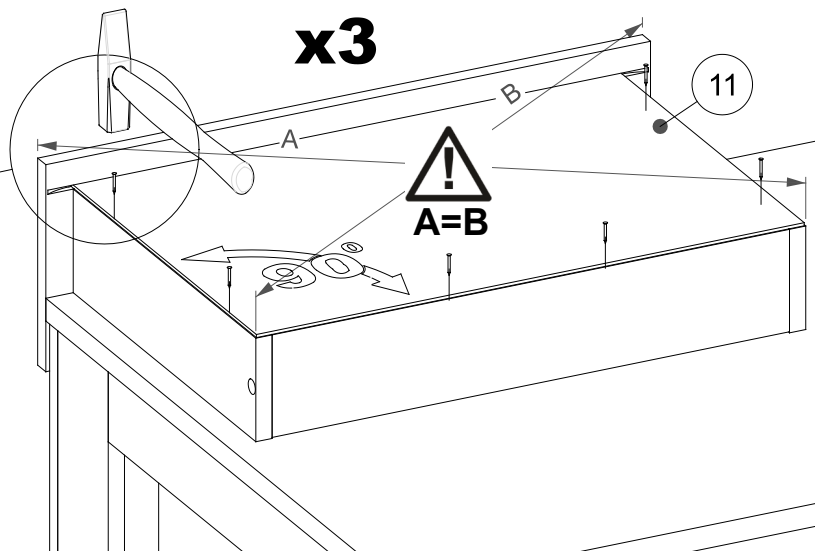
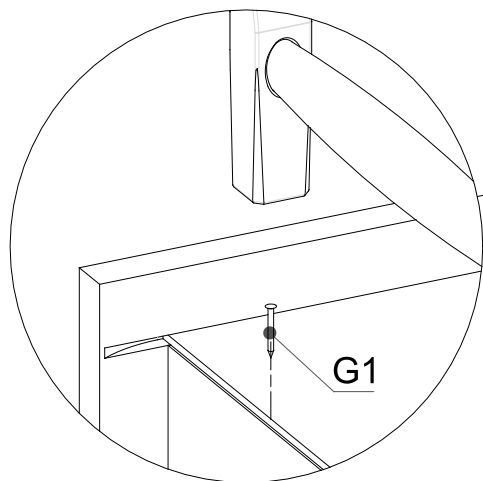
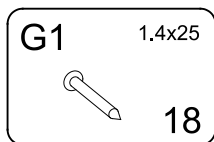
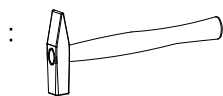


# ▶ 10

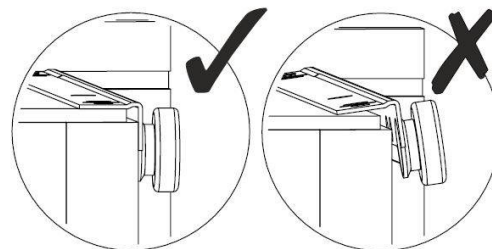
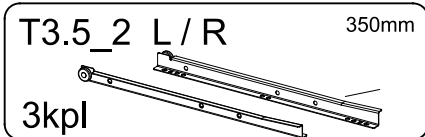
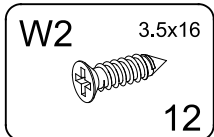
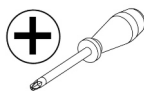




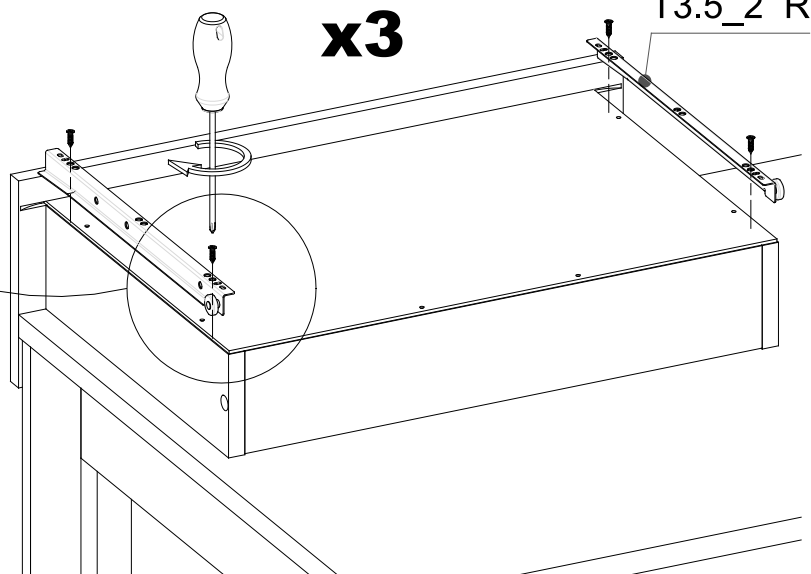
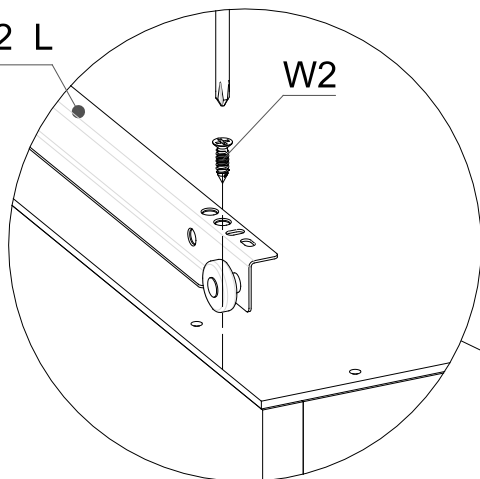
# ▶ 11



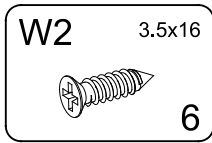
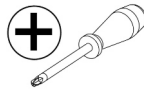
# ▶ 12



T3.5\_2 L



# ▶ 13



max. 20kg  
max. 3kg

