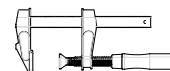
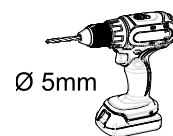
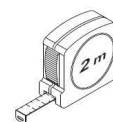
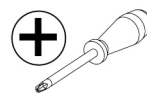
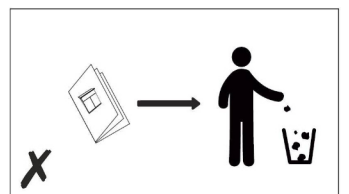
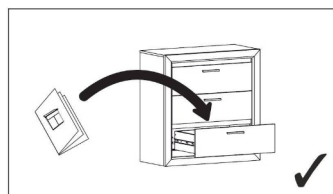
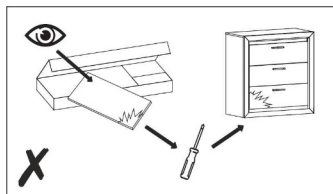
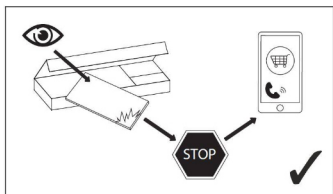
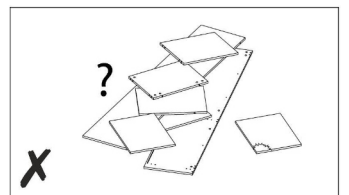
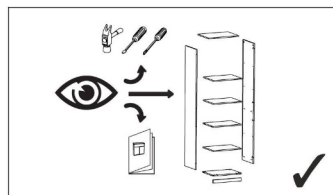
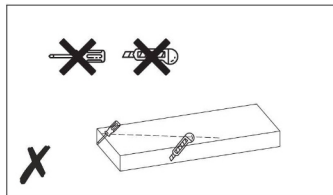
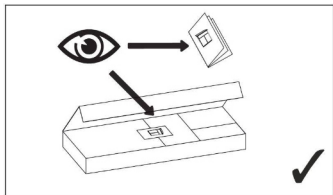
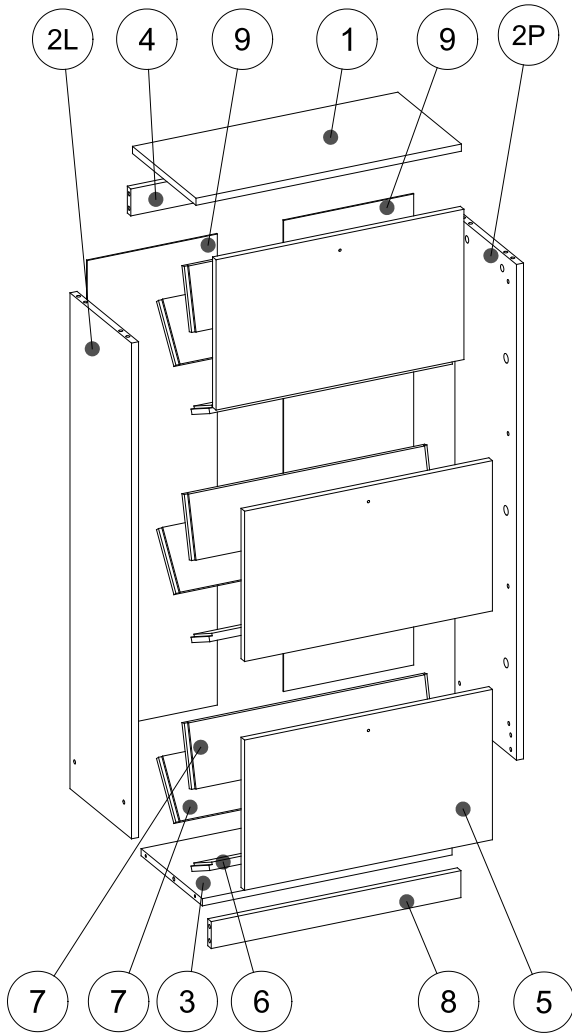


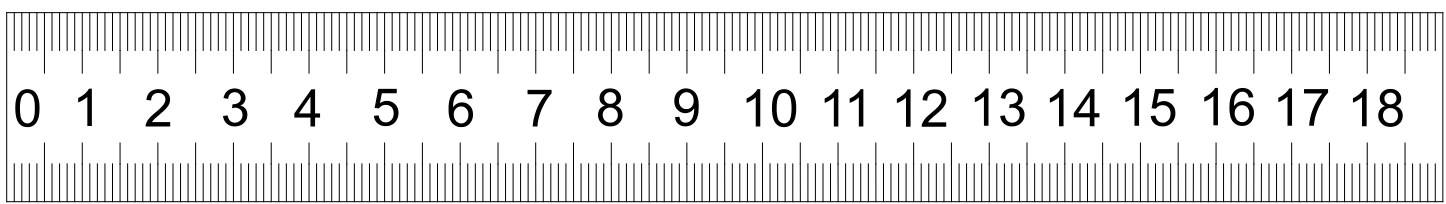
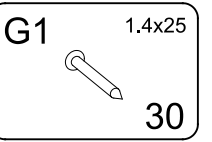
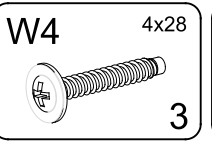
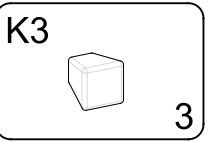
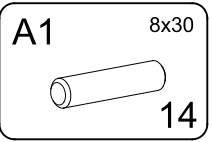
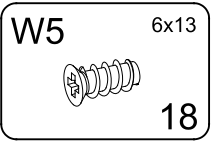
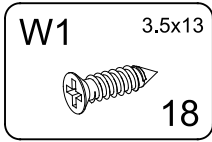
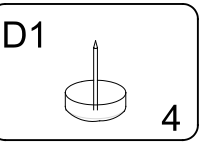
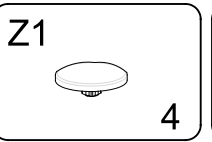
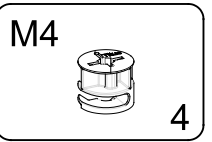
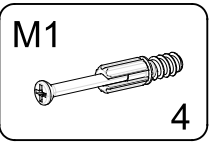
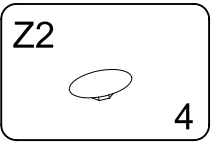
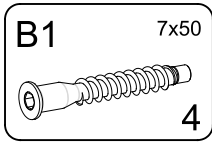
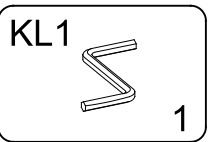
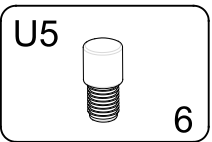
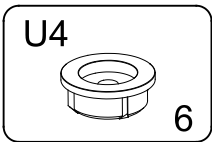
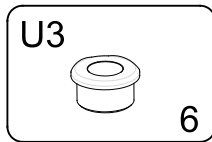
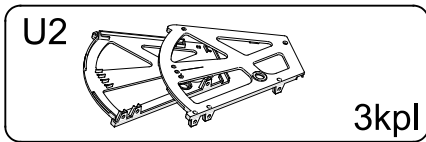
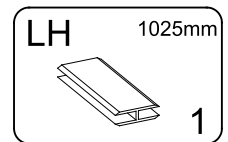
~90min



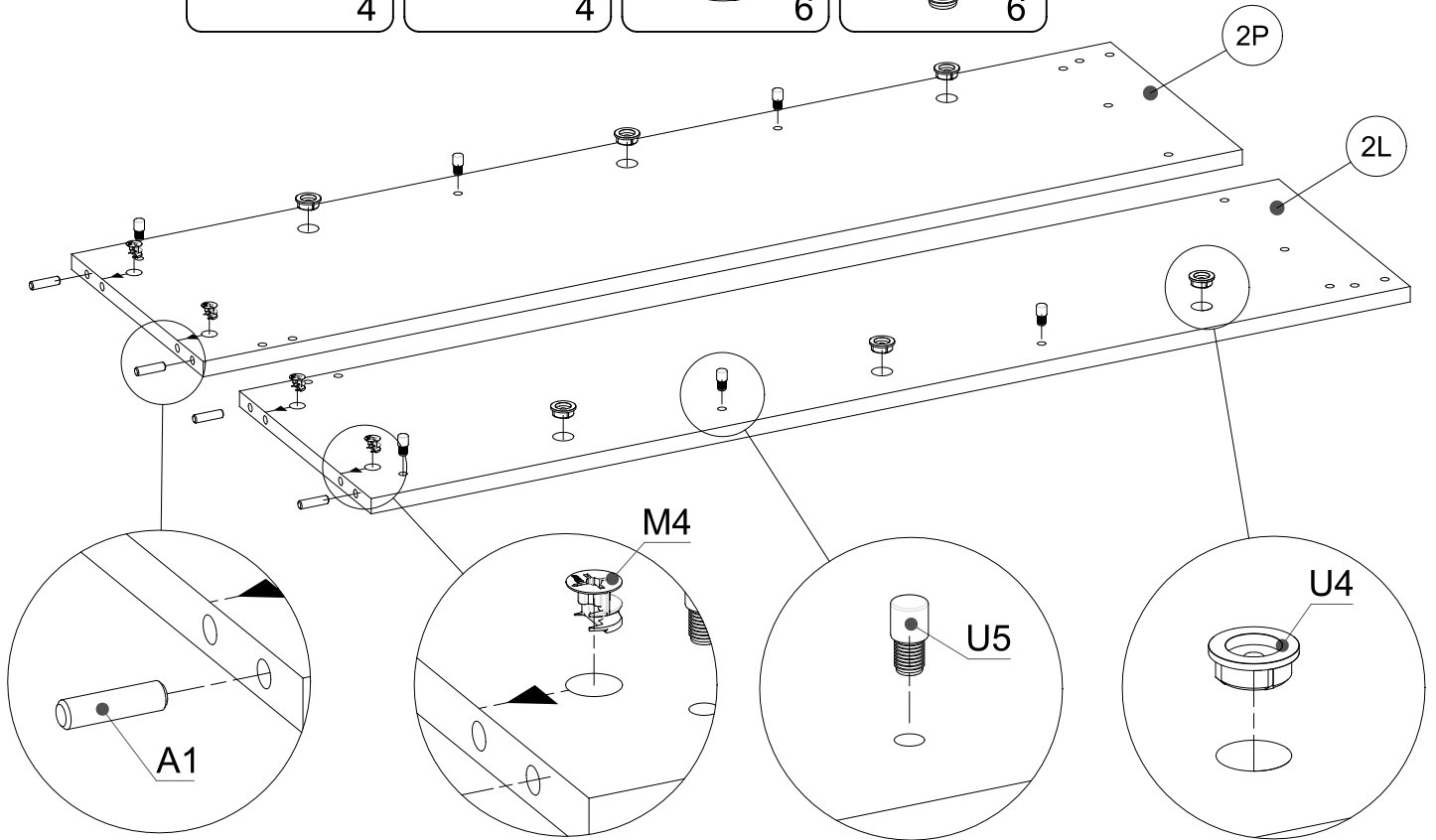
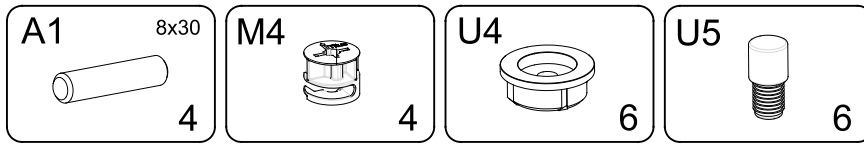




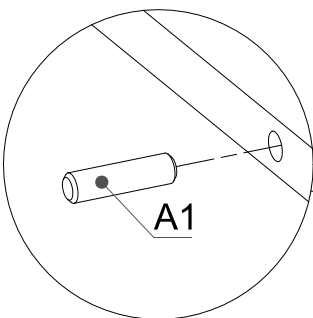
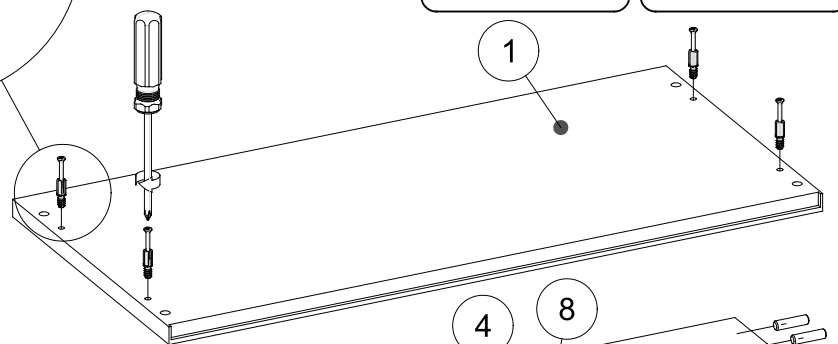
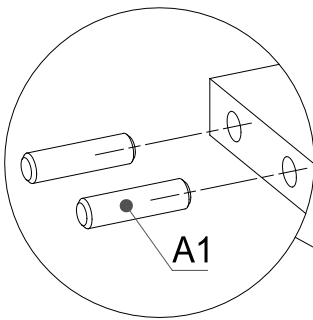
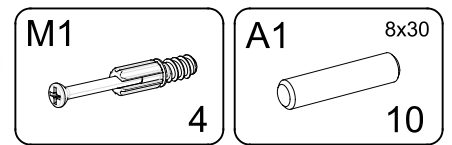
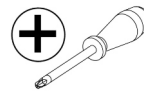
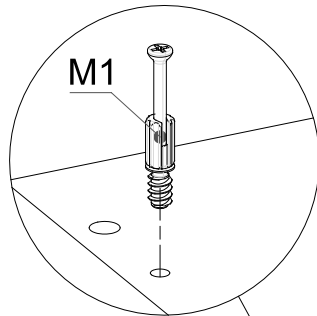
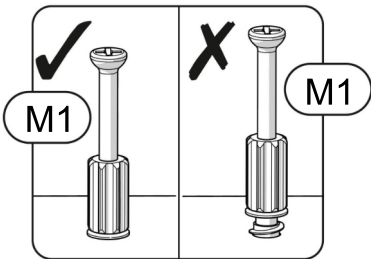
1	604x289x16mm	1
2L	1105x280x16mm	1
2P	1105x280x16mm	1
3	568x279x16mm	1
4	568x60x16mm	1
5	564x333x16mm	3
6	552x88x16mm	3
7	552x138x16mm	6
8	568x60x16mm	1
9	1050x296x3mm	2



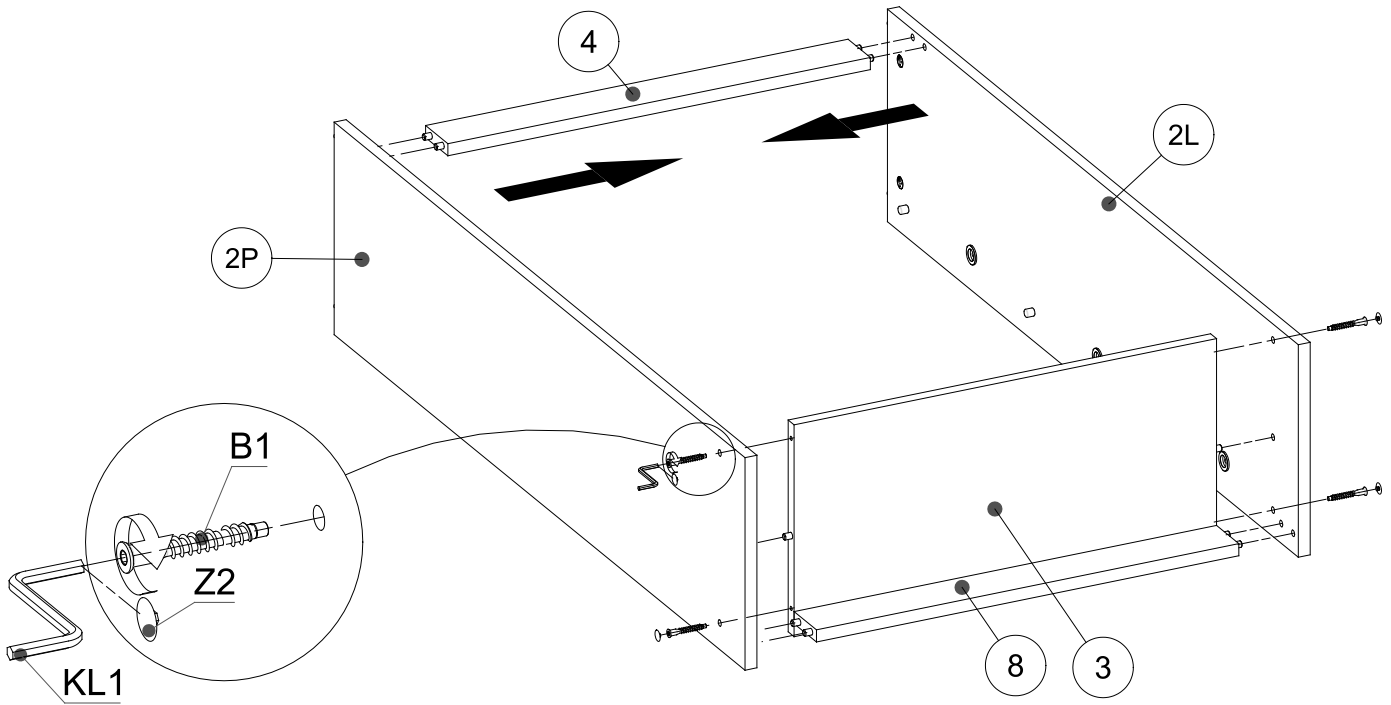
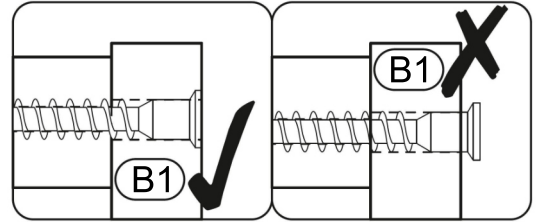
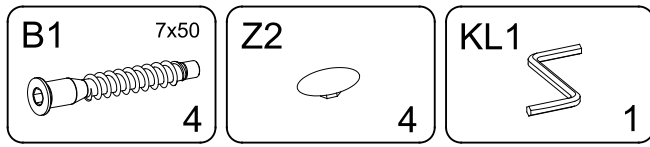
▶ 1



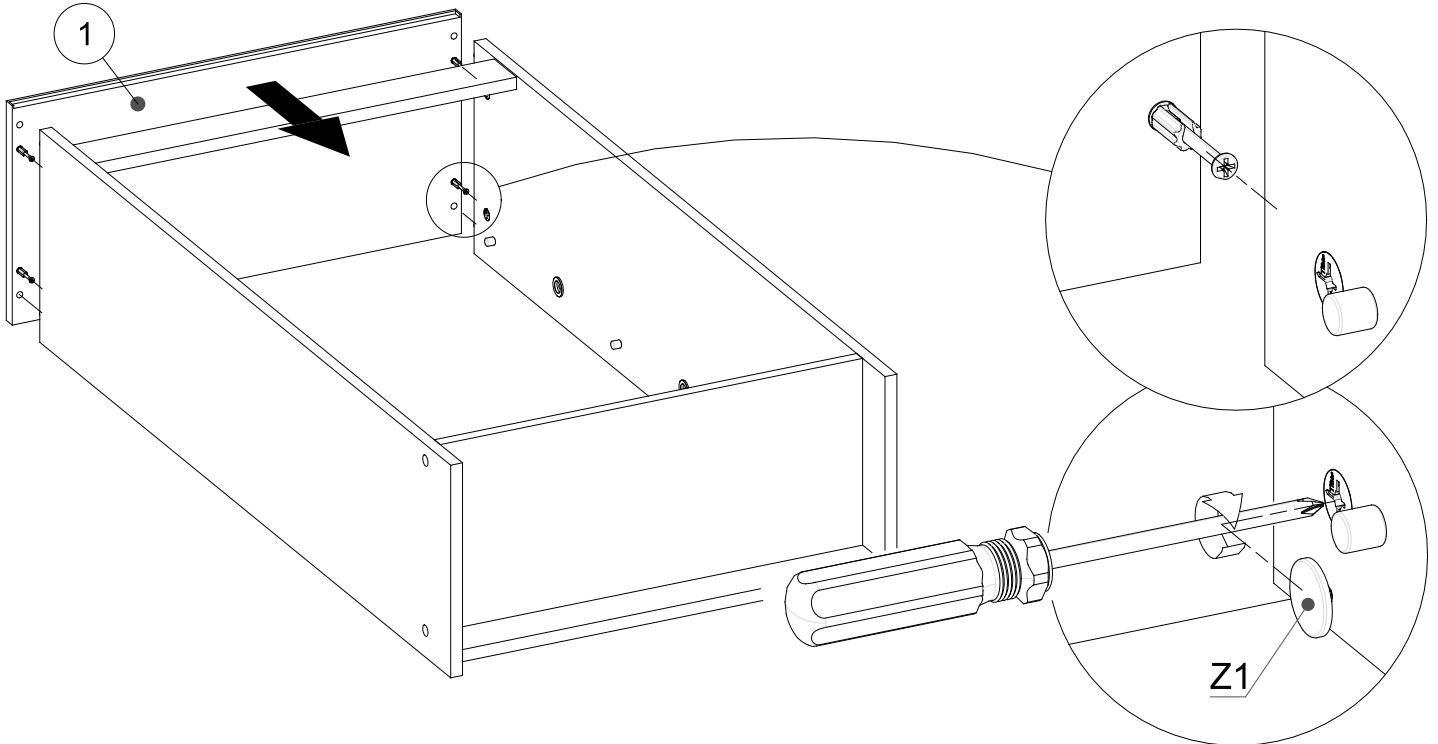
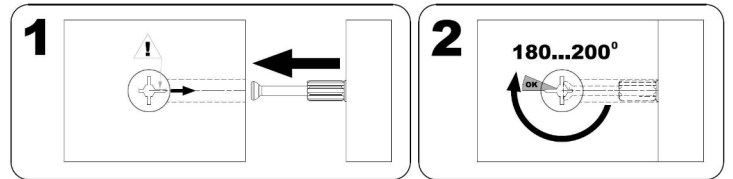
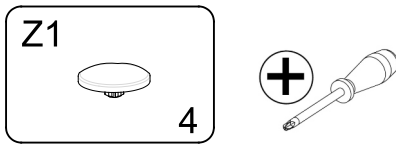
▶ 2



▶ 3



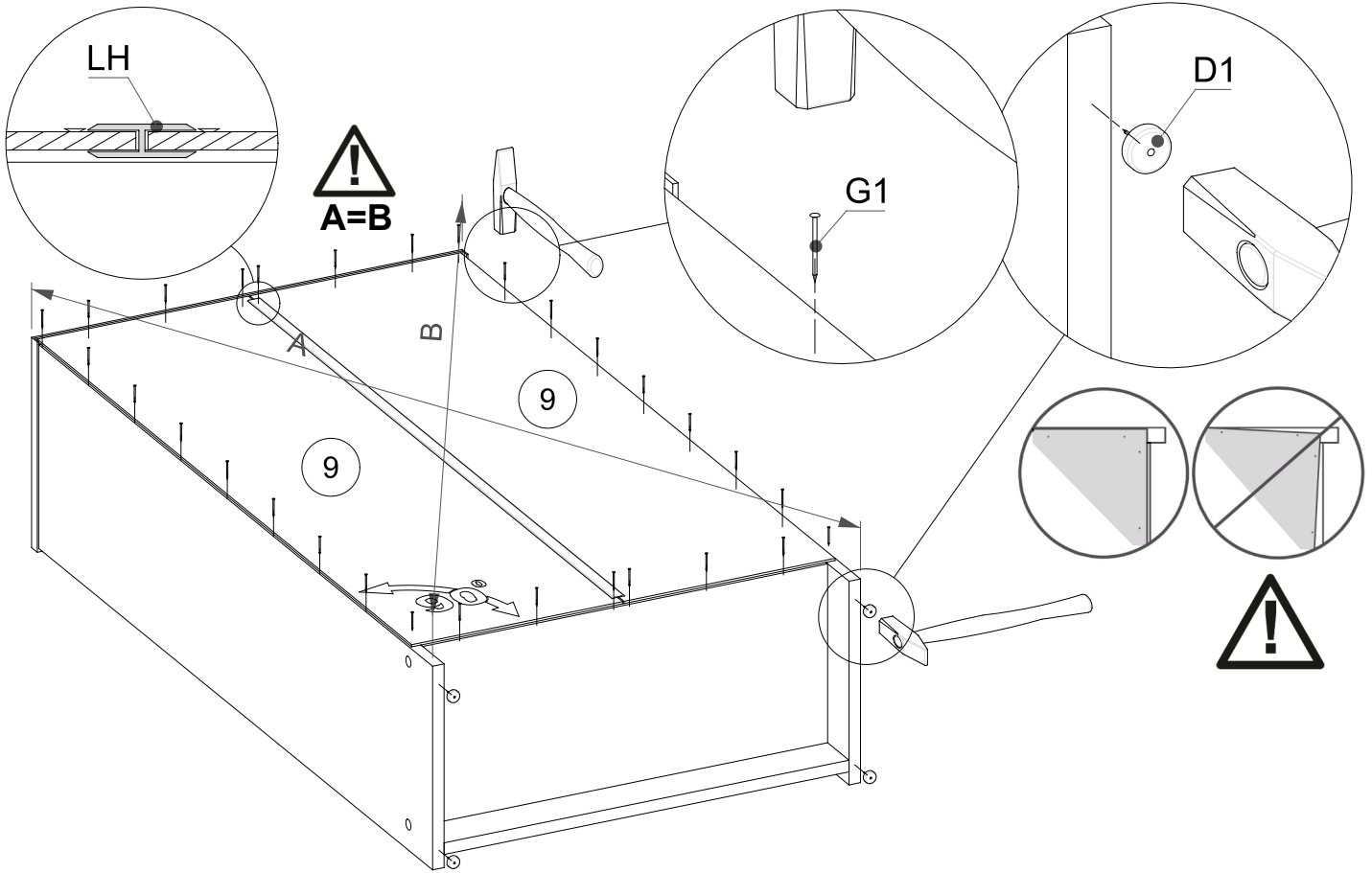
▶ 4



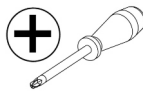
▶ 5



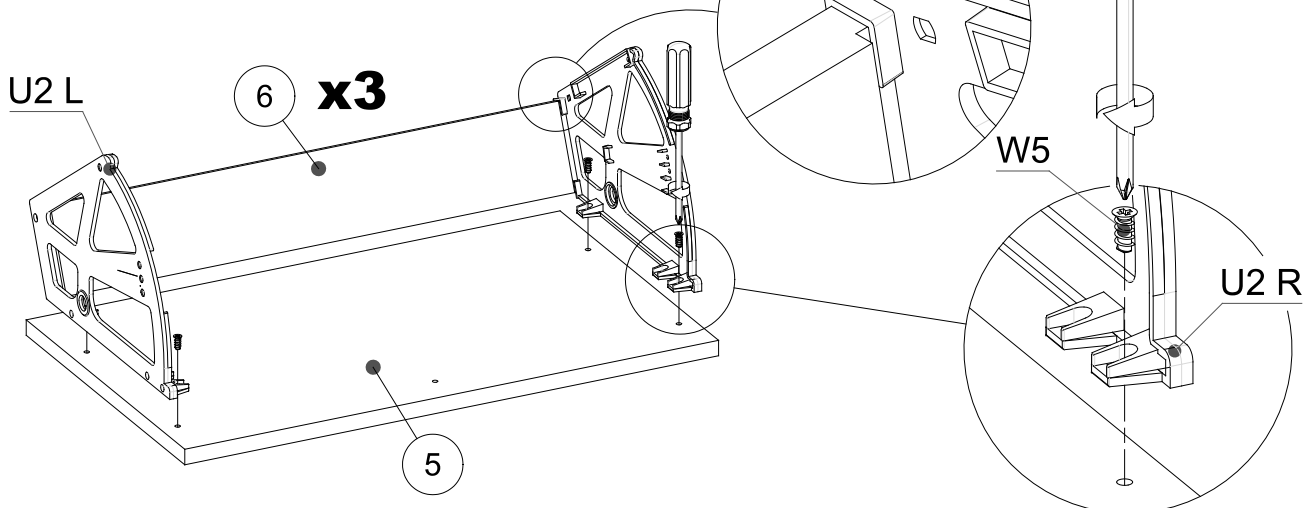
- | | | |
|---------------------------|----------------|--------------------------|
| G1
1.4x25
30 | D1
4 | LH
1025mm
1 |
|---------------------------|----------------|--------------------------|



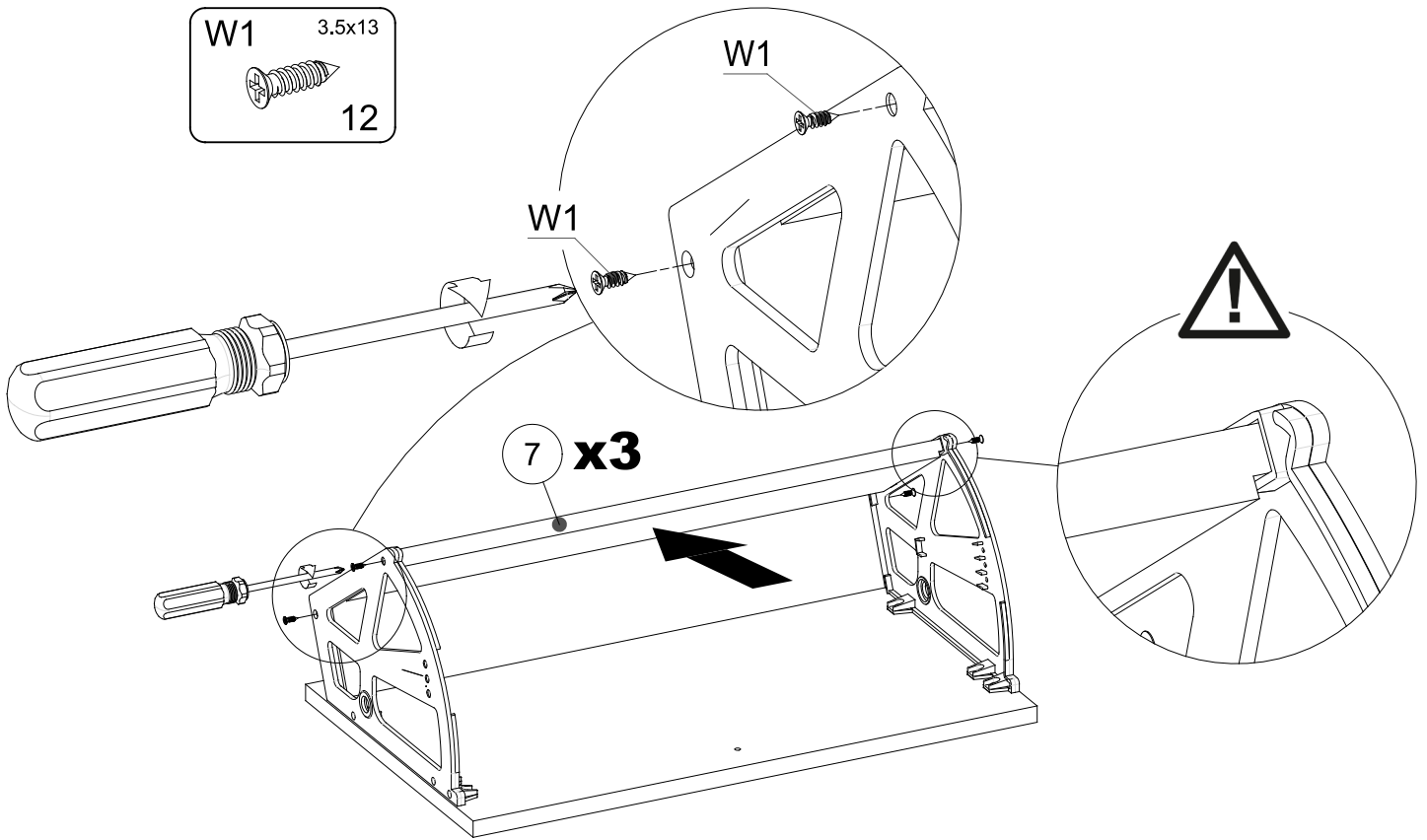
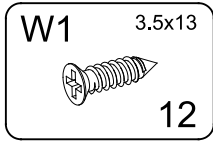
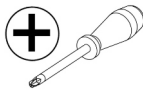
▶ 6



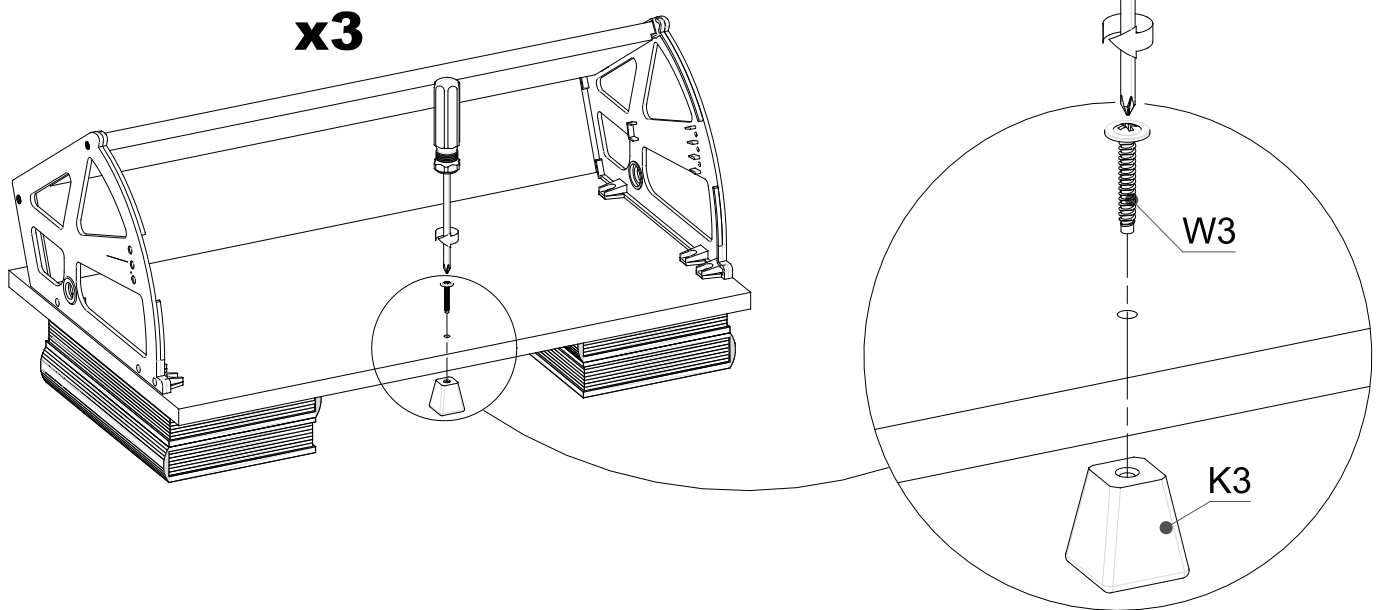
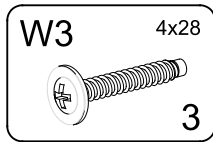
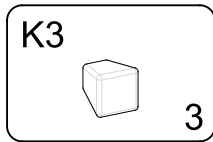
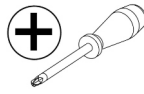
- | | |
|-------------------|-------------------------|
| U2
3kpl | W5
6x13
12 |
|-------------------|-------------------------|



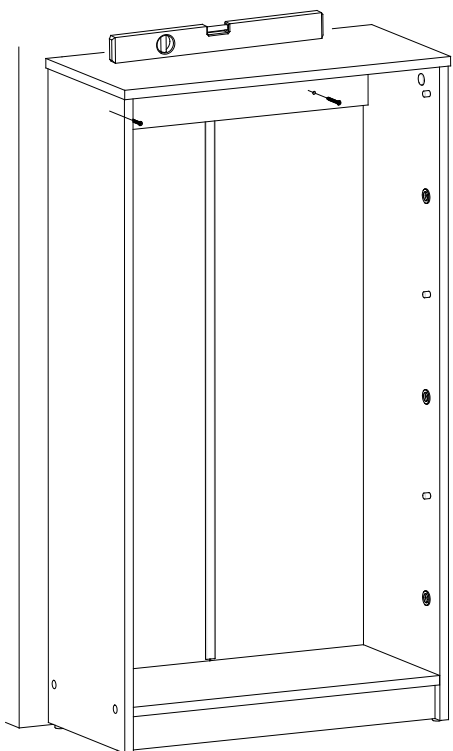
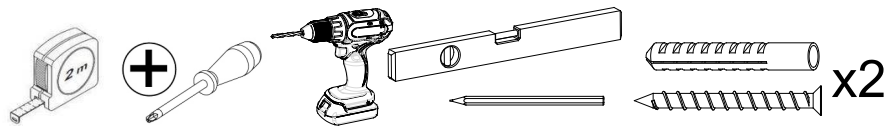
▶ 7



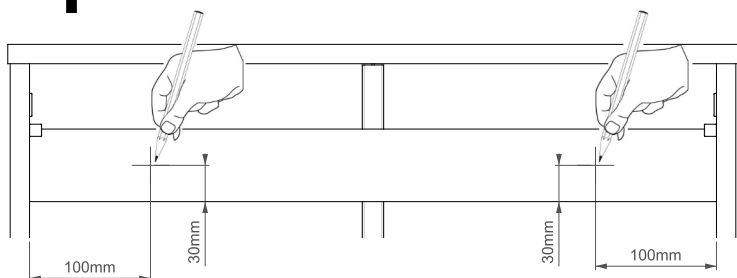
▶ 8



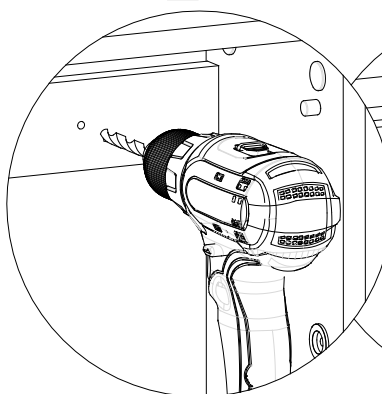
▶ 9



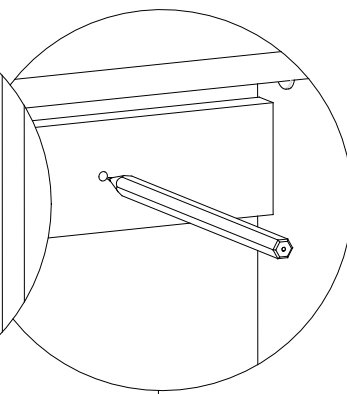
1



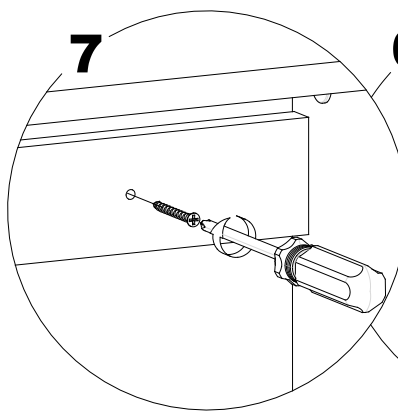
2



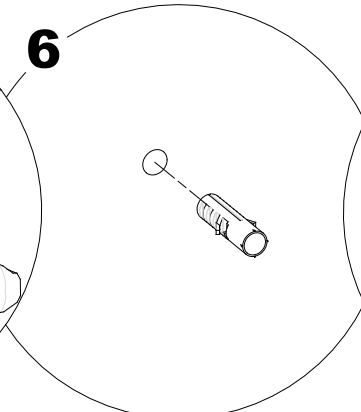
3



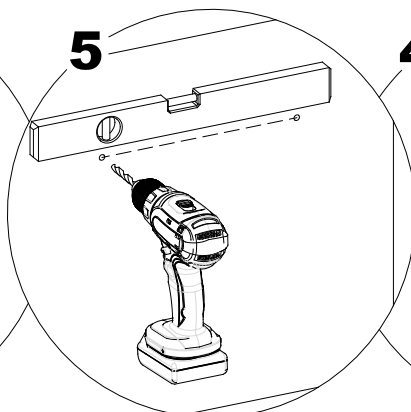
7



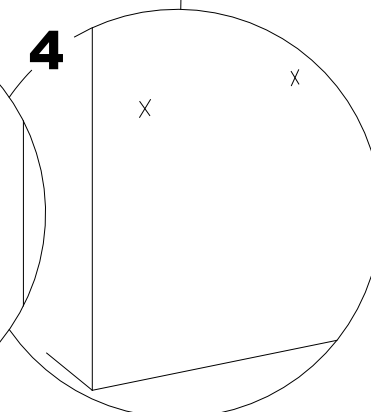
6



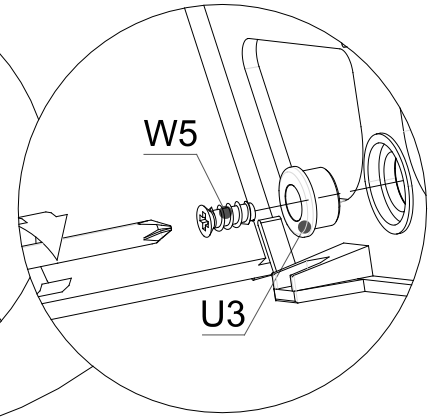
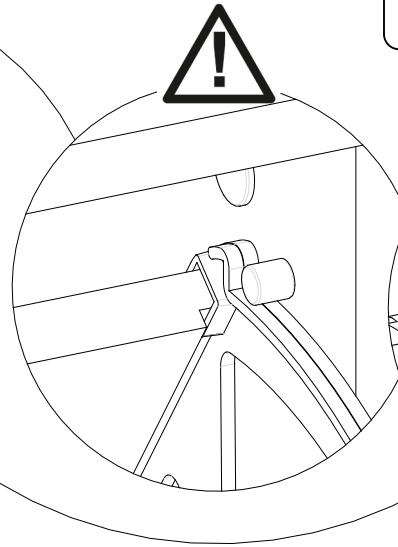
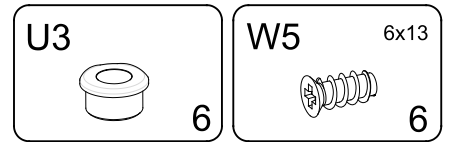
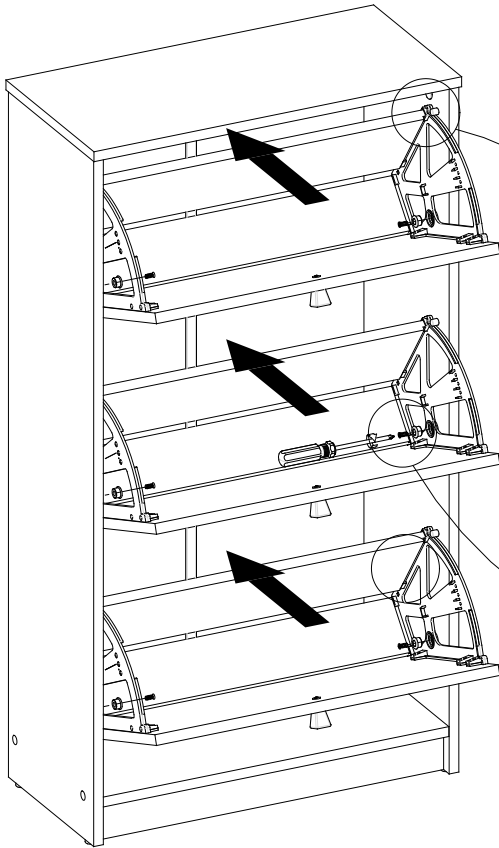
5



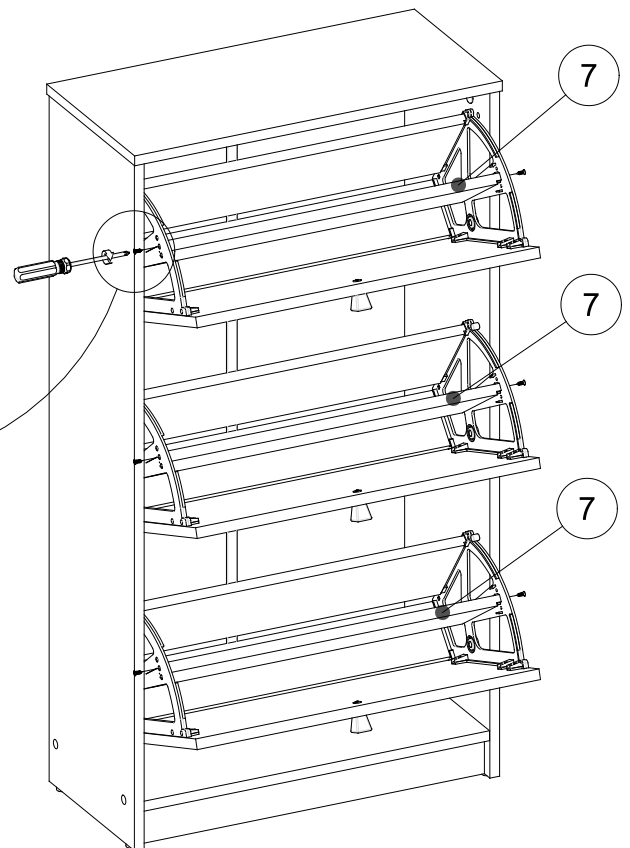
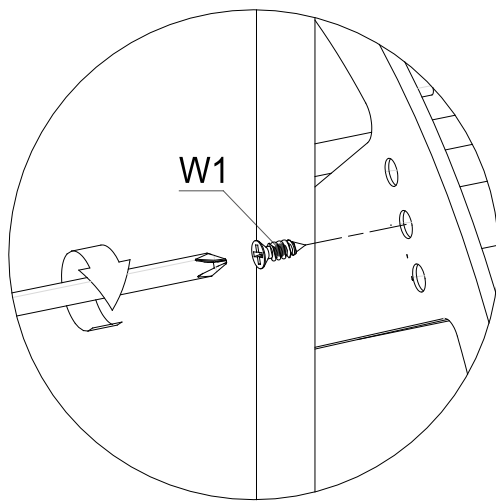
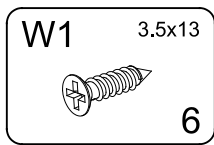
4



▶ 10



▶ 11



▶ 12

