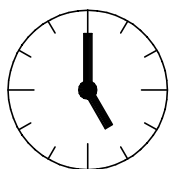
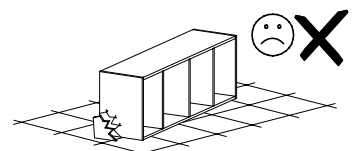
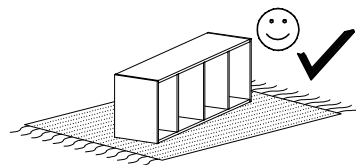
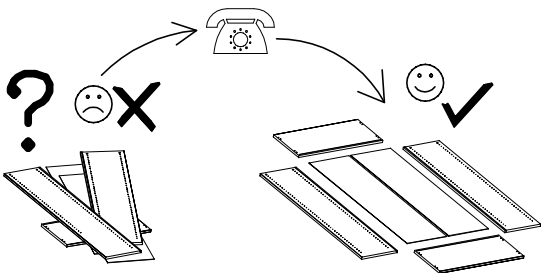
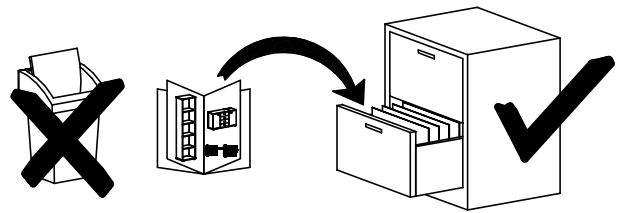
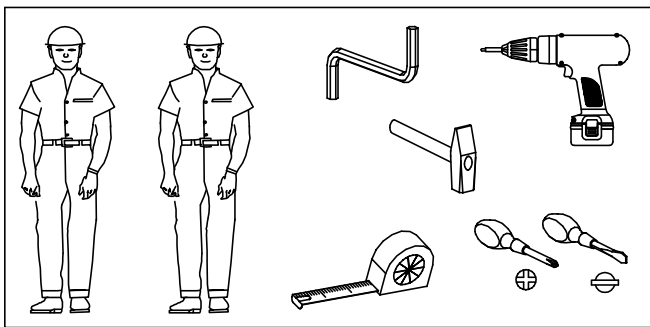
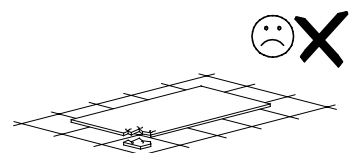
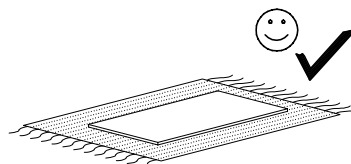


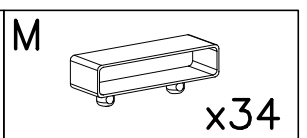
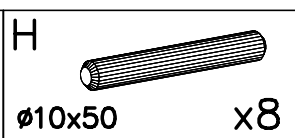
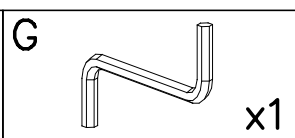
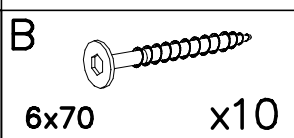
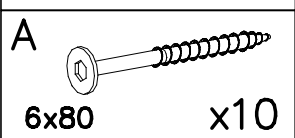
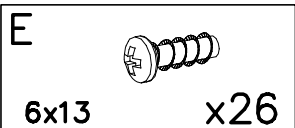
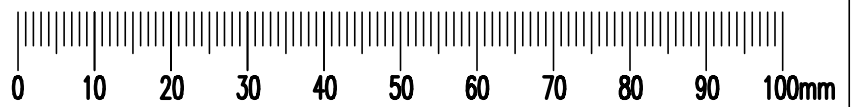
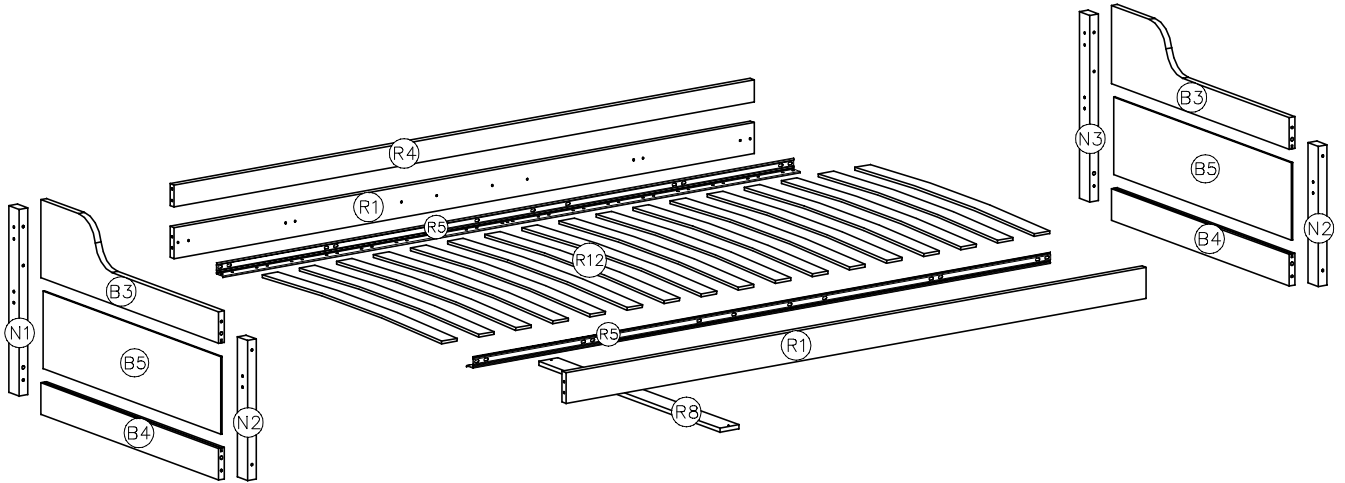
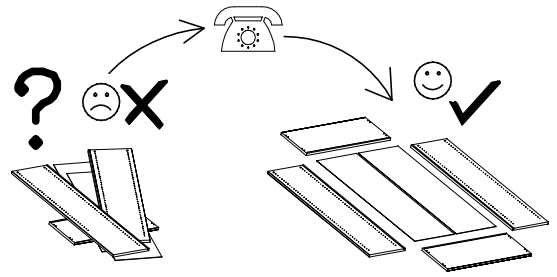
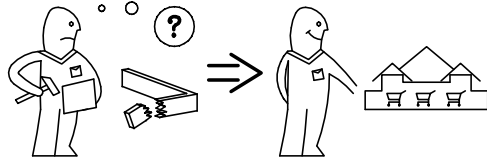
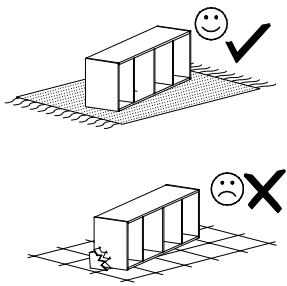
200 x 90

190 x 80



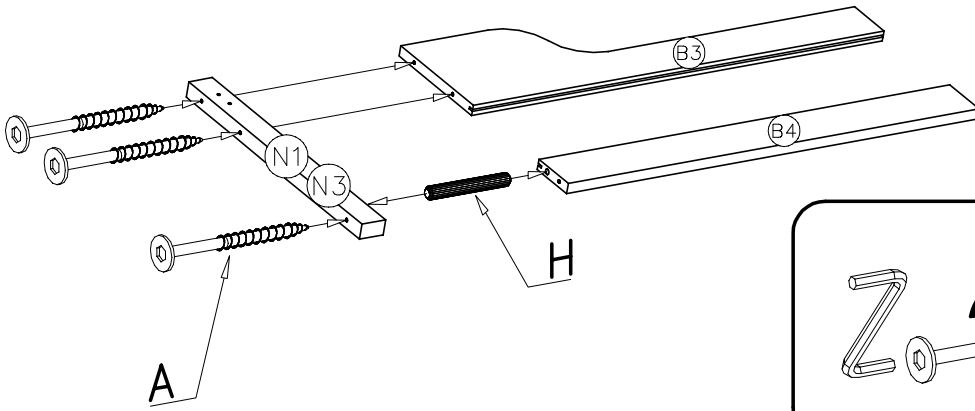
1,5h

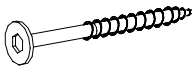



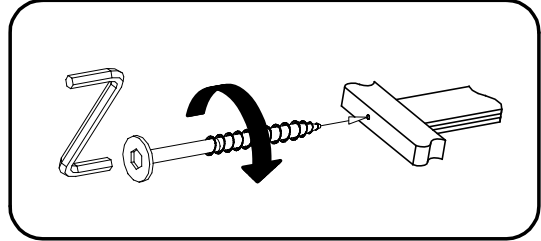


I

x2

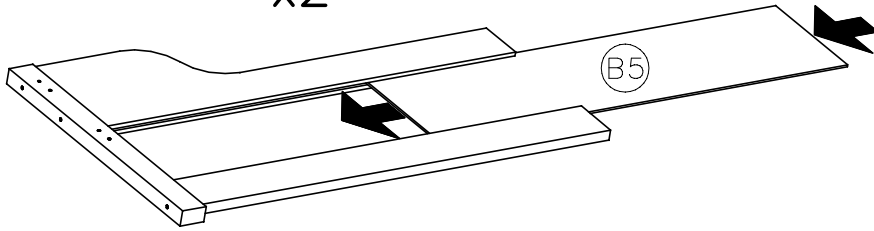


A	
6x80	x6
H	
∅10x50	x2



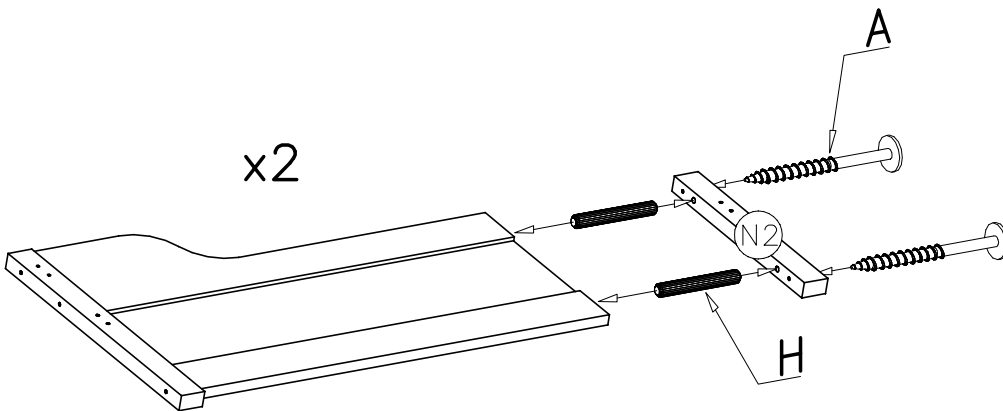
II

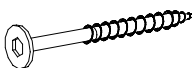

x2

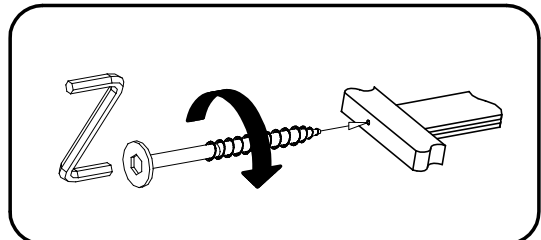


III

x2

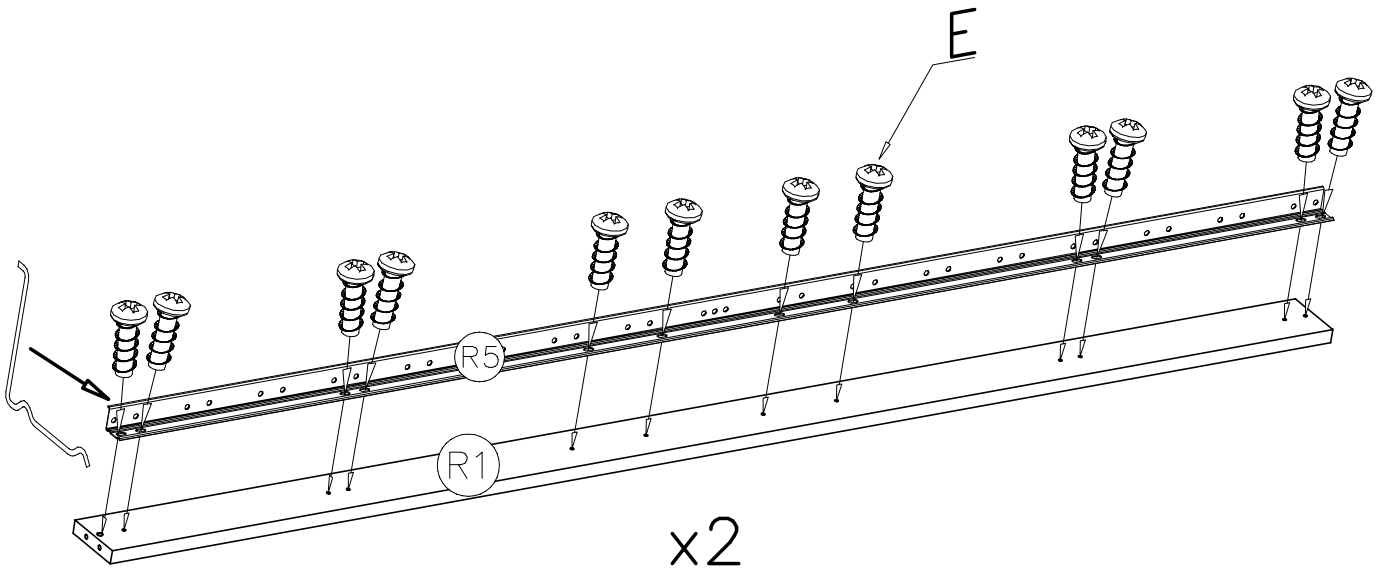


A	
6x80	x4
H	
∅10x50	x4



IV

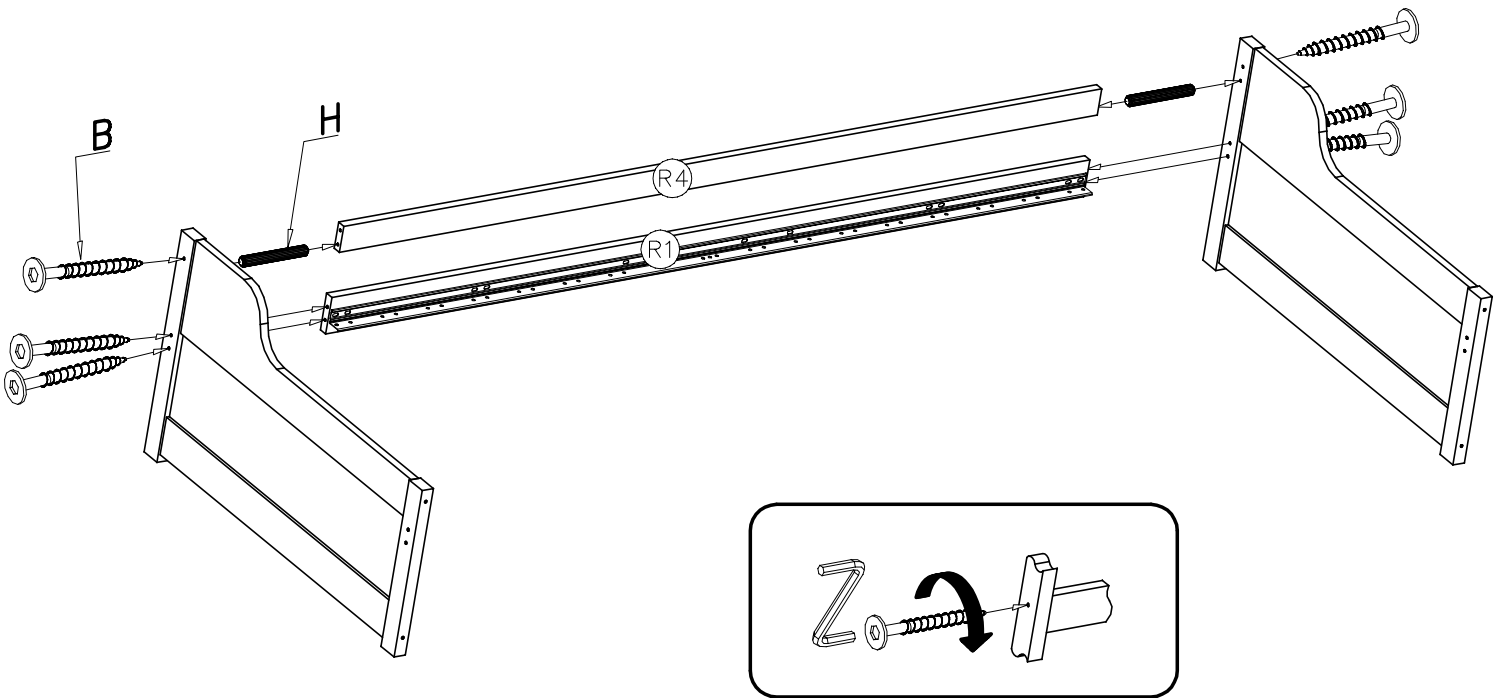
E
6x13 x24



V

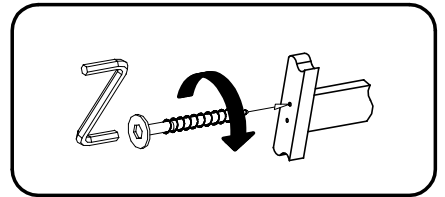
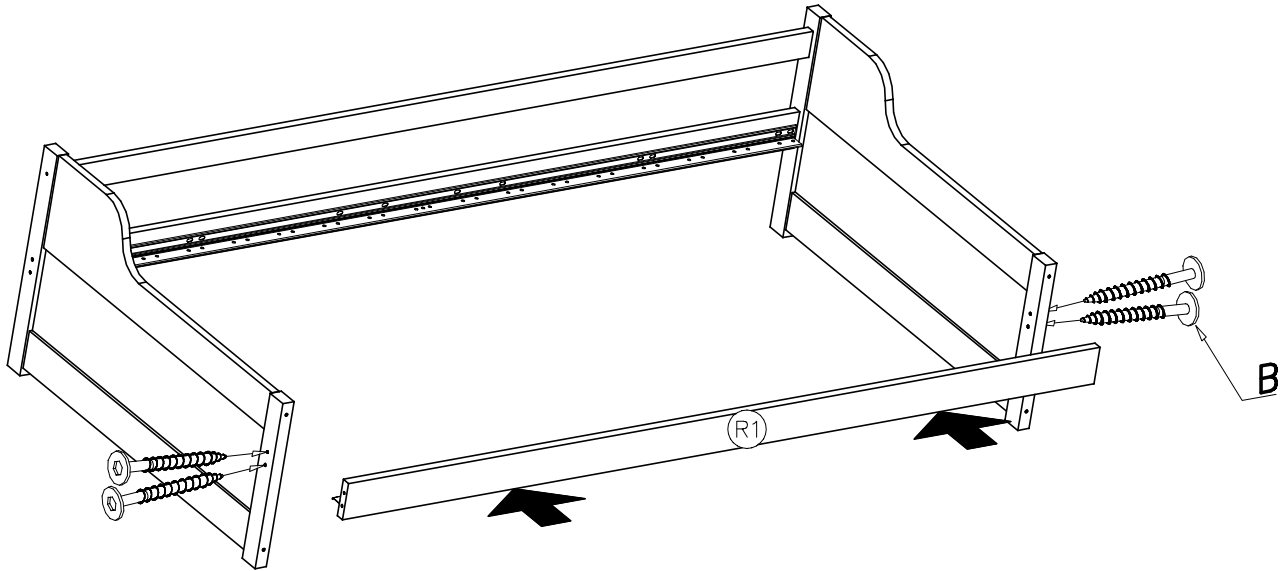
H
ø10x50 x2

B
6x70 x6



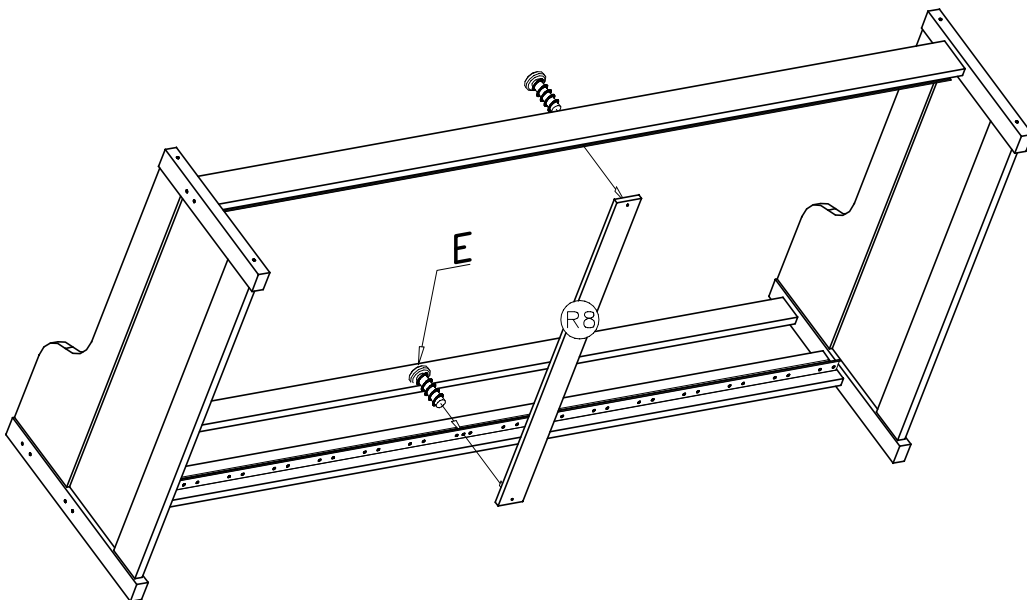
VI

B
6x70 x4



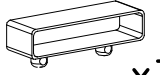
VII

E
6x13 x2



VIII

M



x34

