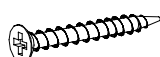
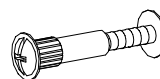

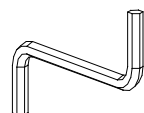




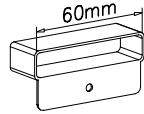
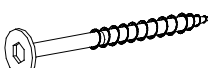


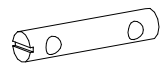

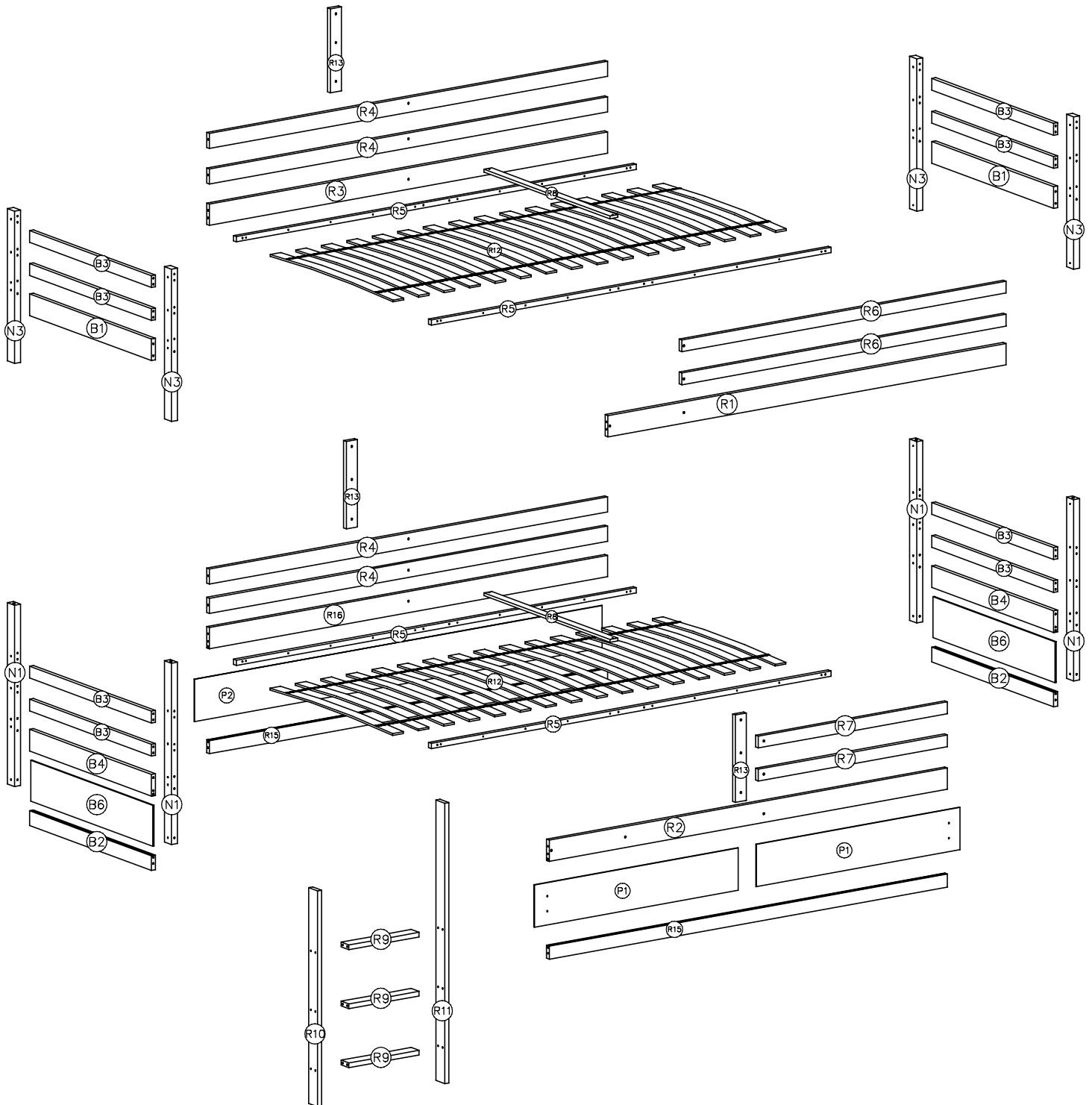
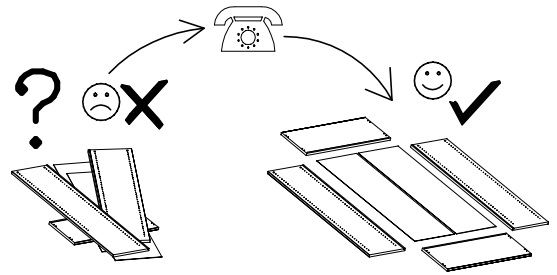
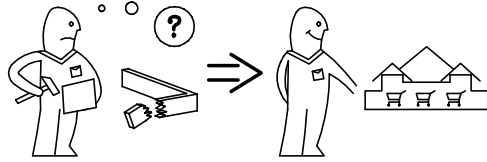
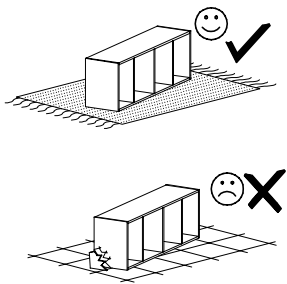
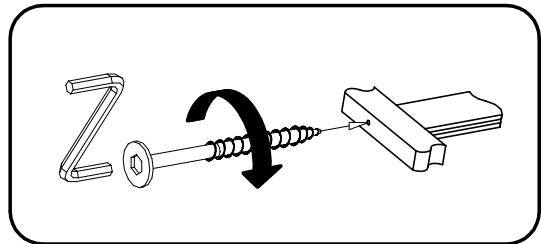
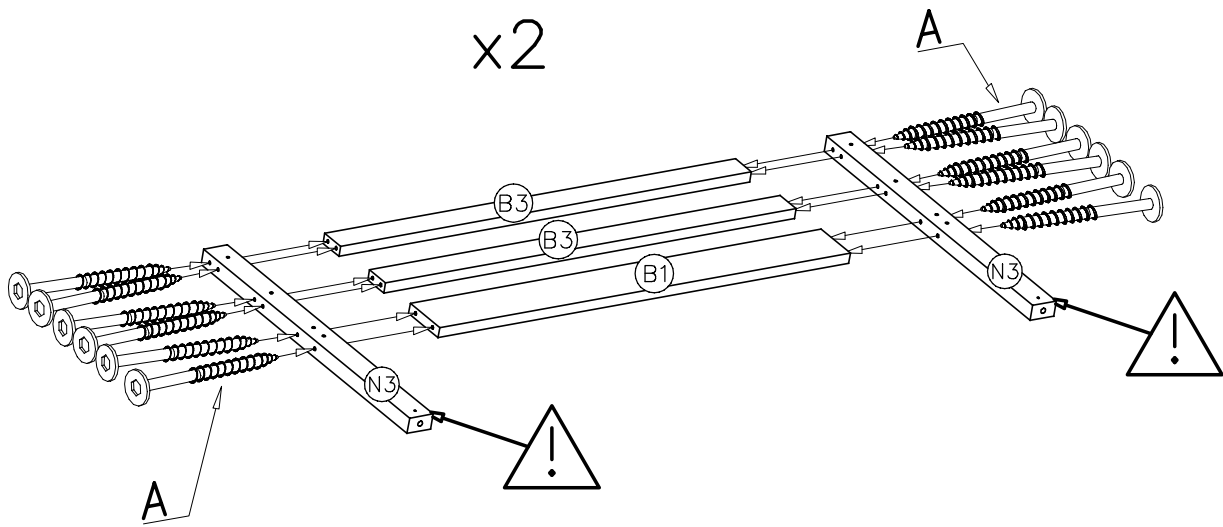


<b>E</b>  4x35 x40	<b>I</b>  x9	<b>K</b>  ø8 x8	<b>G</b>  x1	<b>Z</b>  M6x20 x8
<b>F</b>  3,5x30 x4	<b>W</b>  4x16 x4	<b>U</b>  x2	<b>M</b>  60mm x16	
<b>A</b>  6x80 x52	<b>B</b>  6x70 x32	<b>C</b>  6x50 x17	<b>J</b>  x4	<b>D</b>  6x13 x16



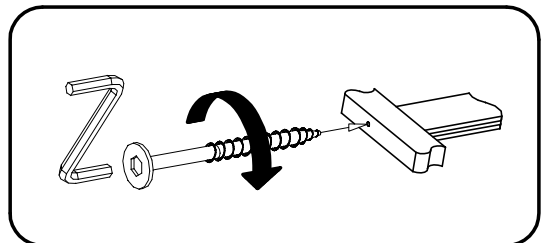
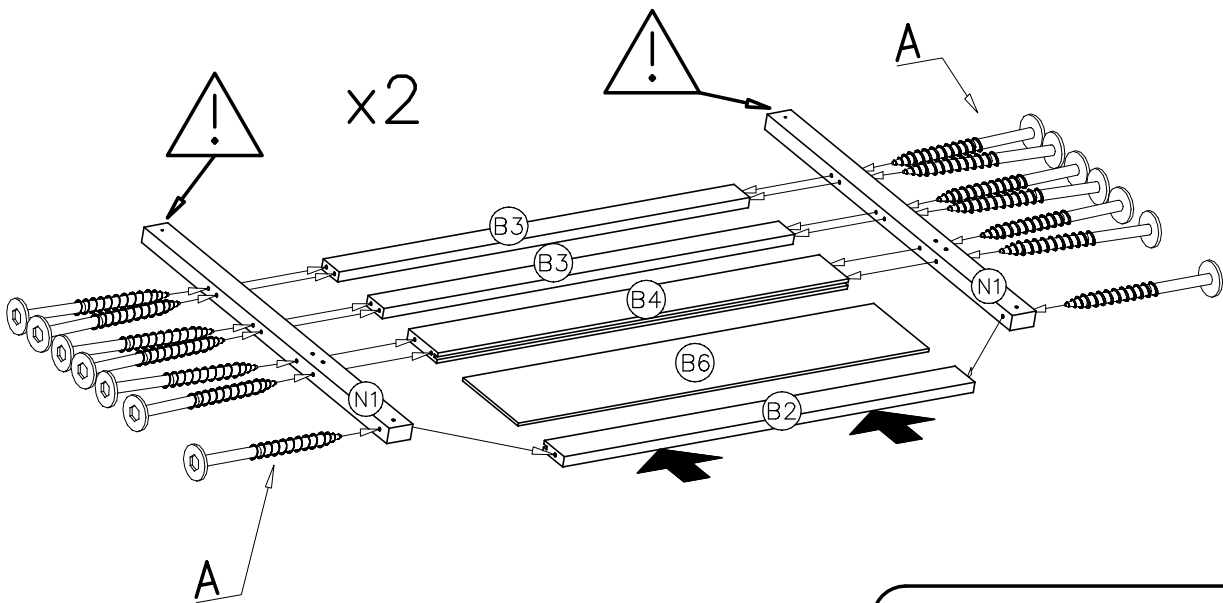
I

A  
6x80 x24



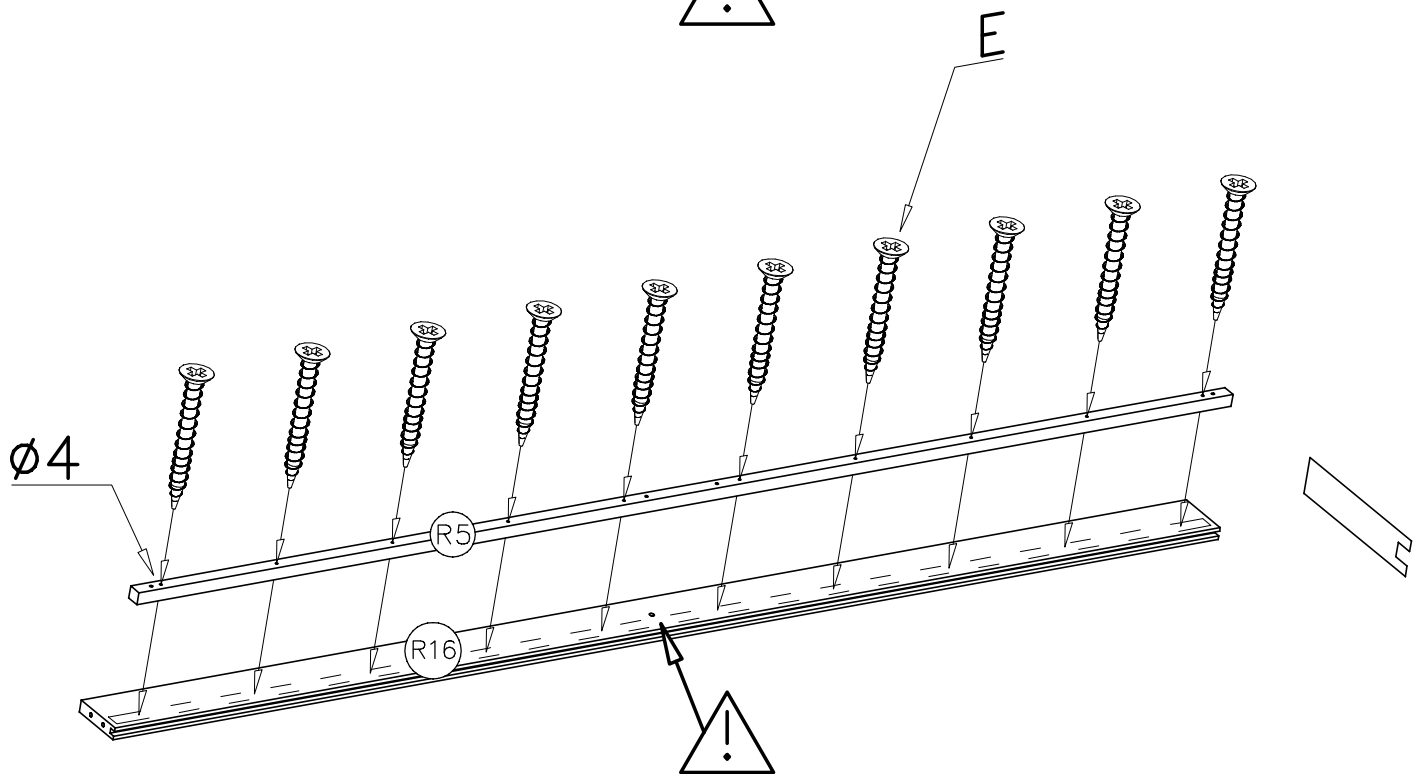
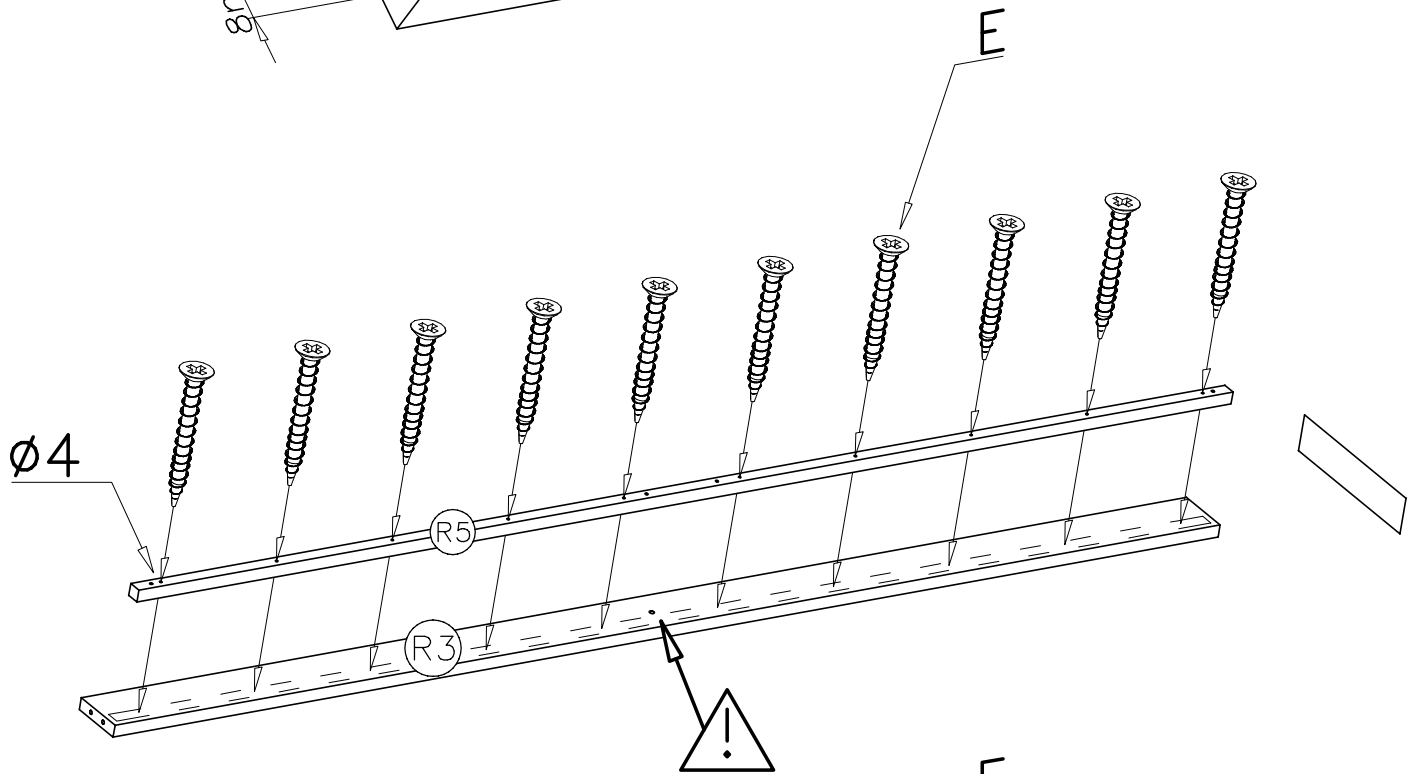
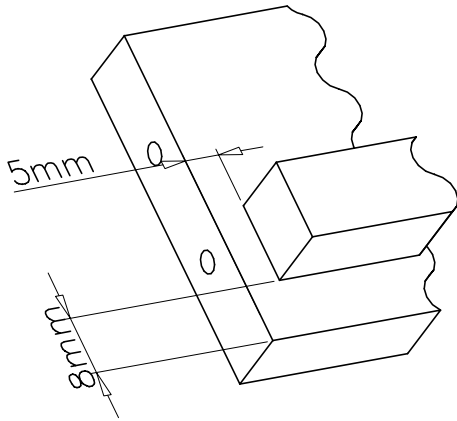
II

A  
6x80 x28

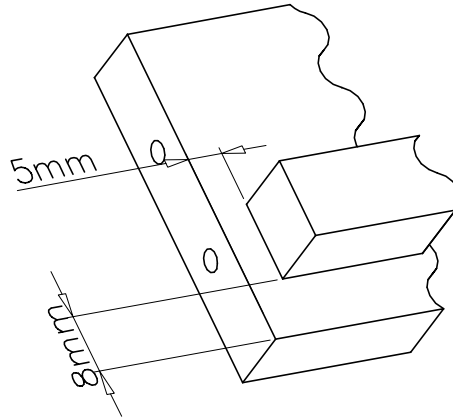
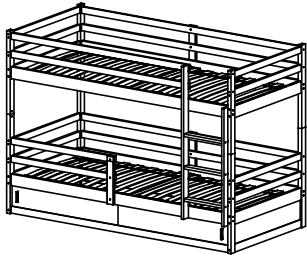


III

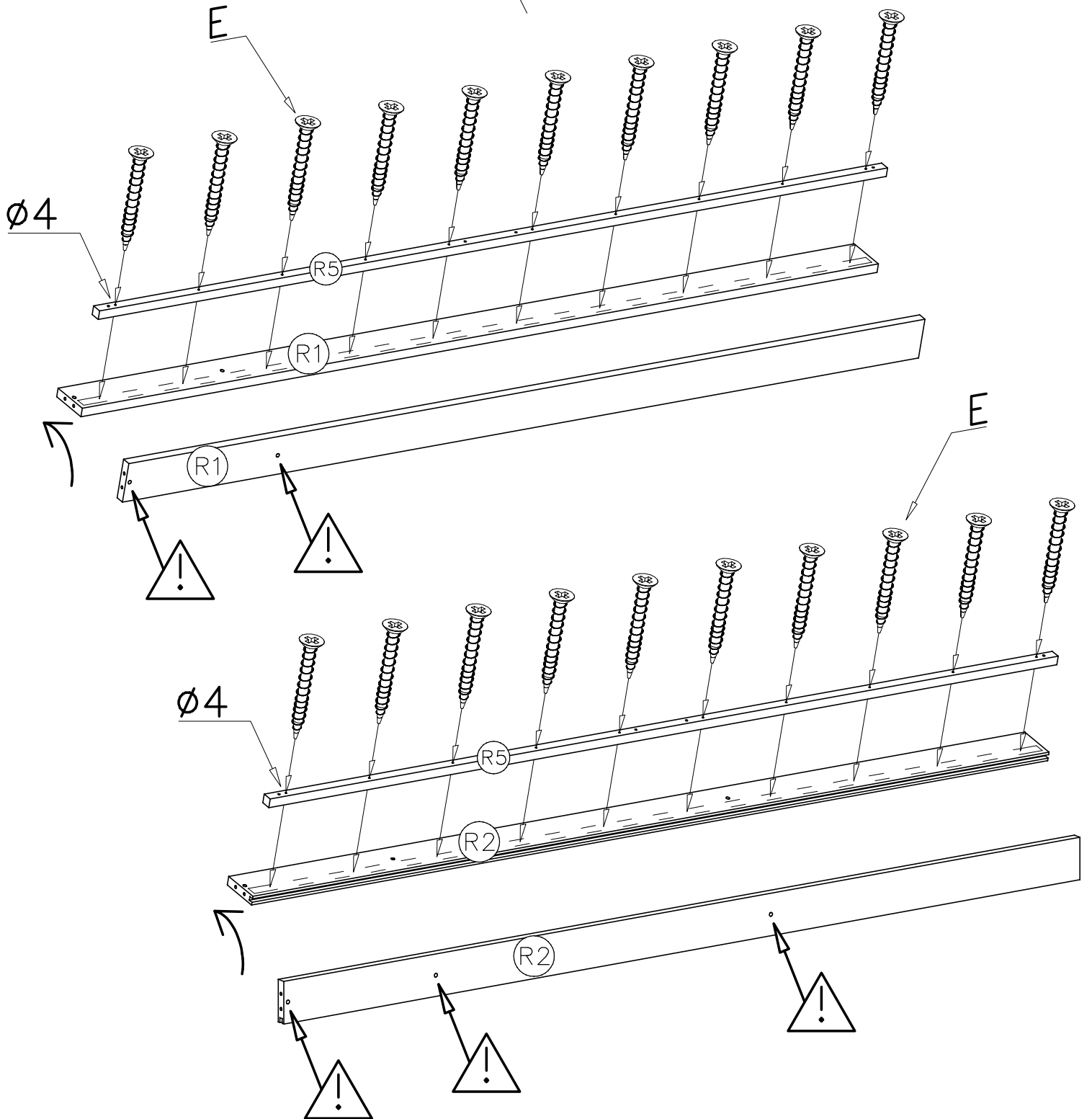
E  
4x35 x20



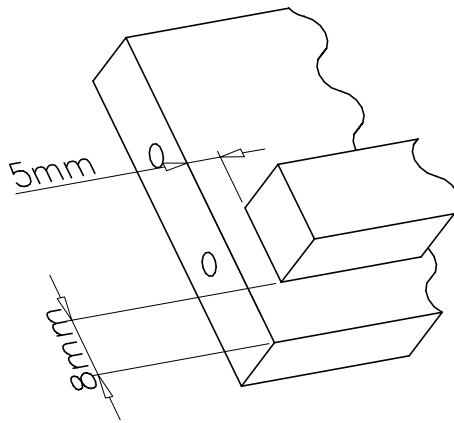
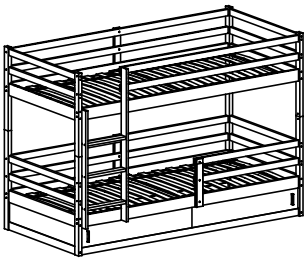
IV



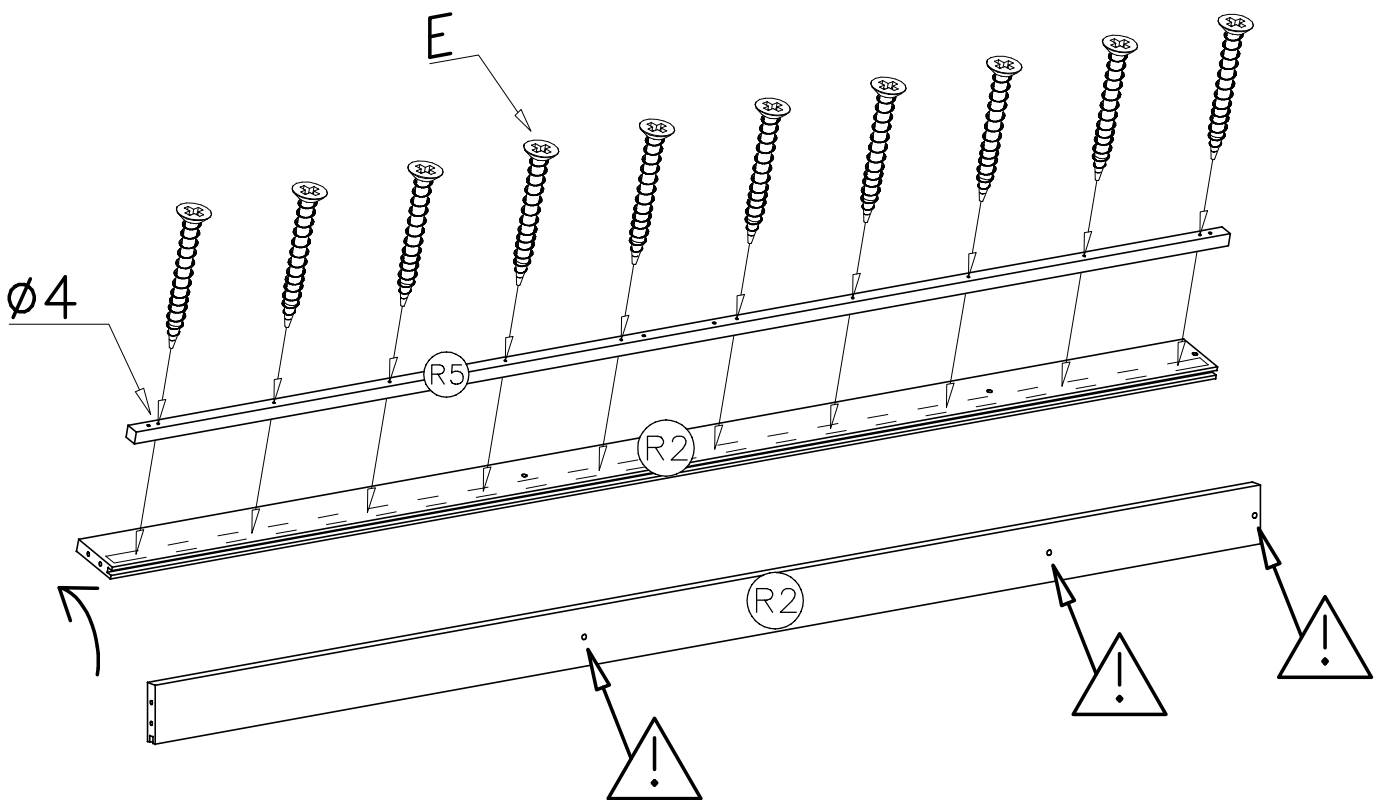
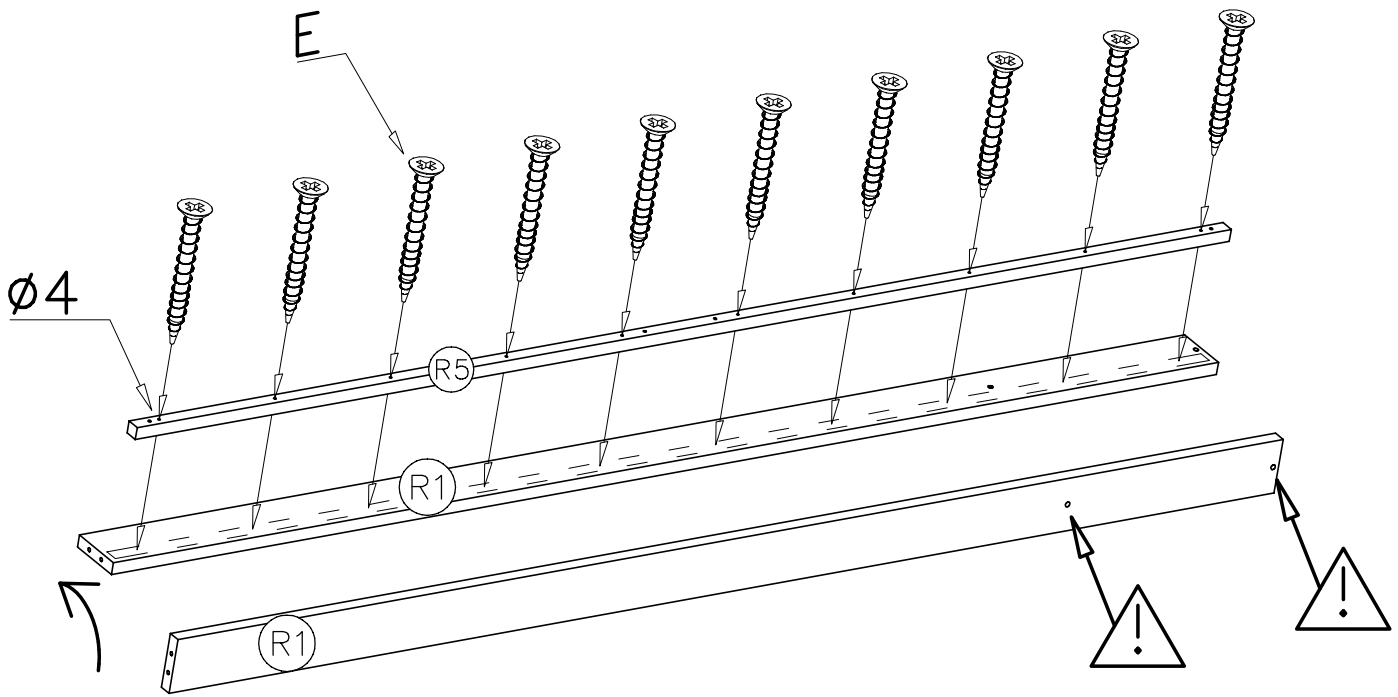
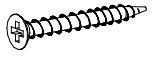
E  
4x35 x20




V

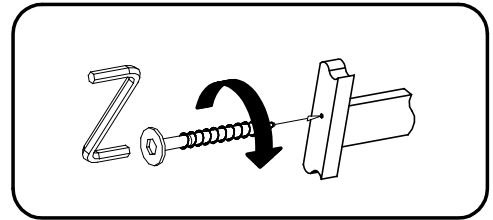
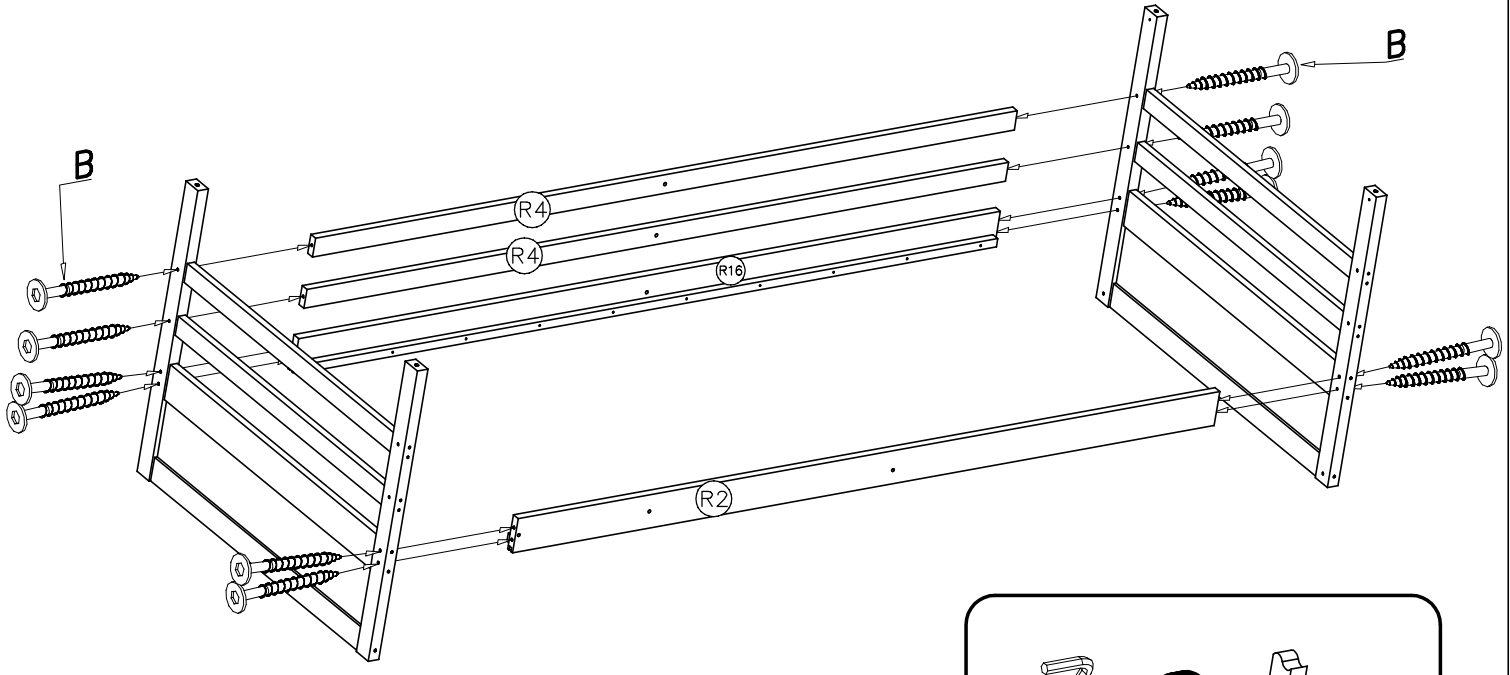


E  
4x35 x20






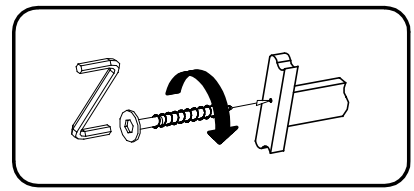
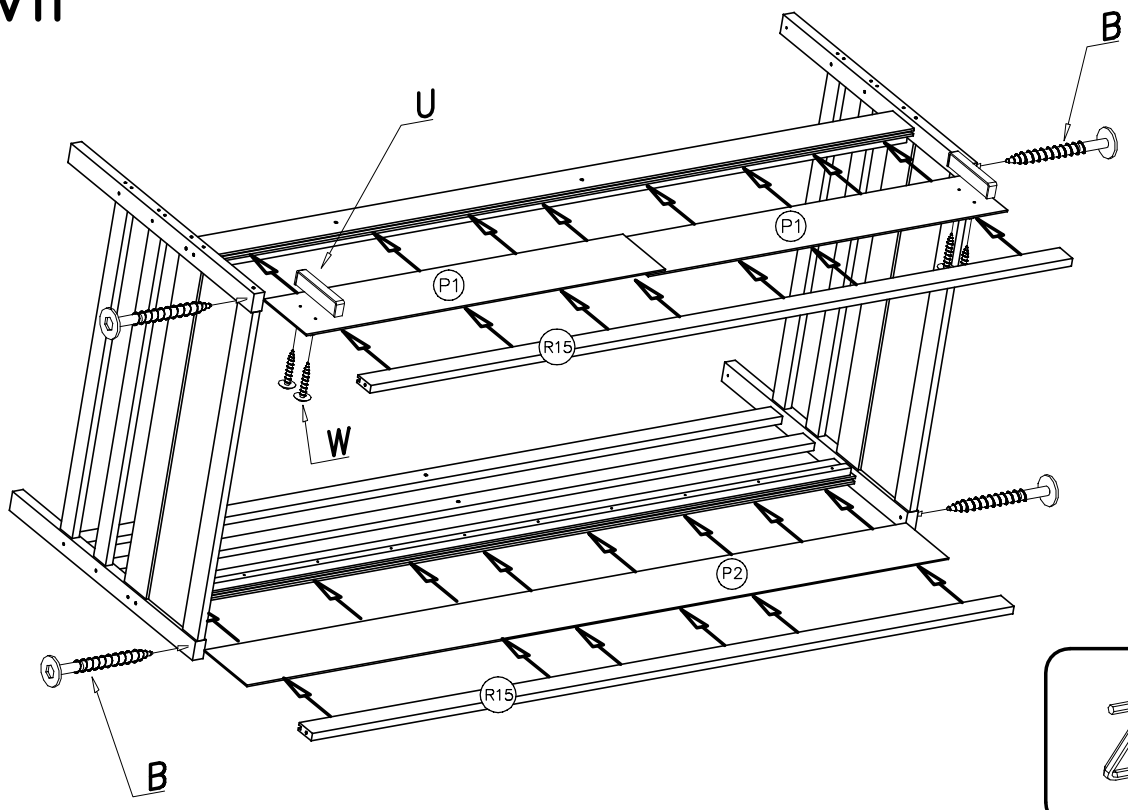
# VI

<b>B</b>	
6x70	x12



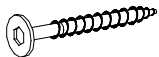

# VII

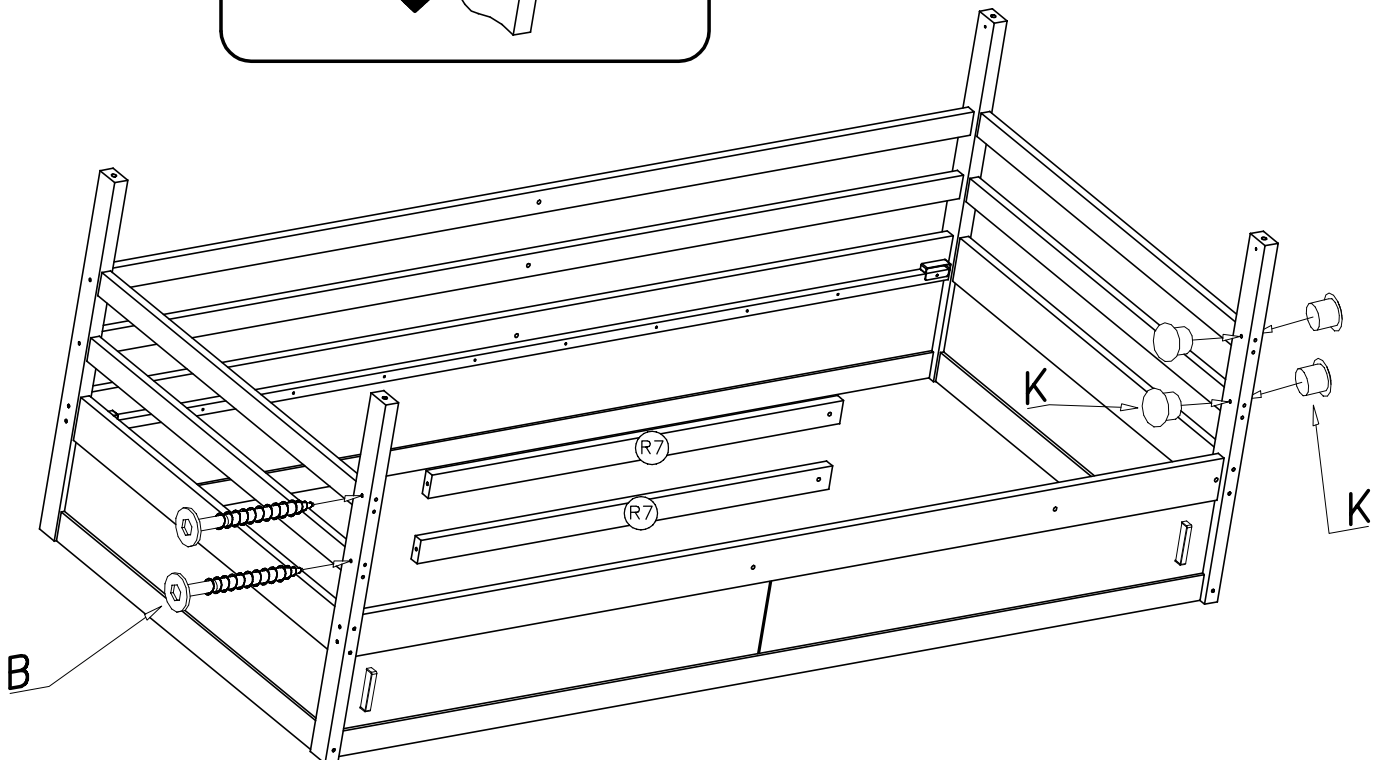
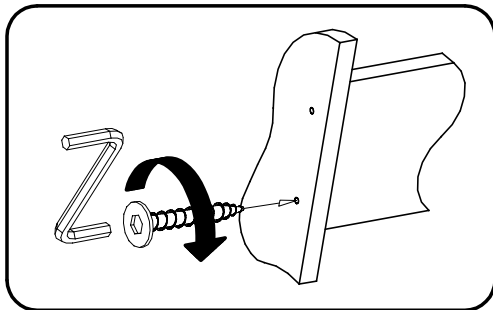
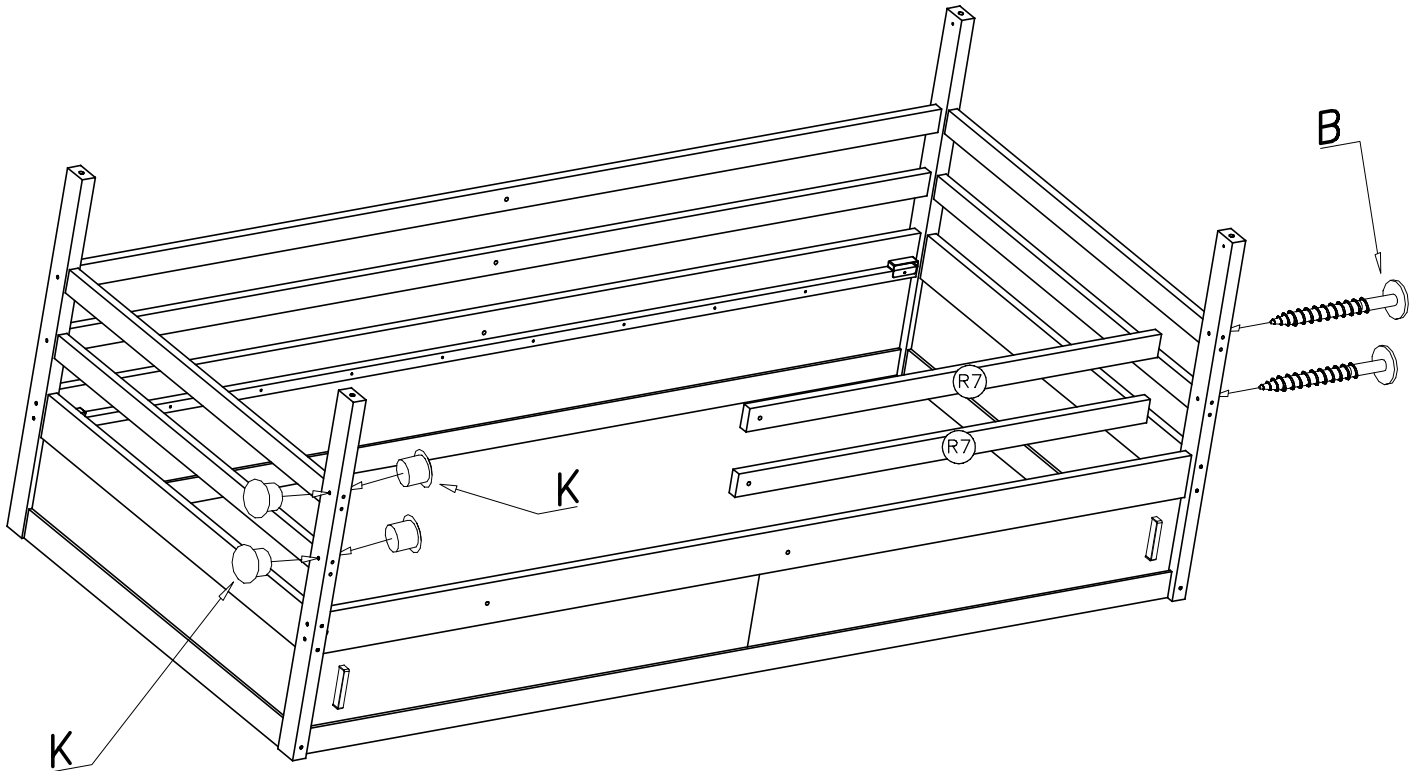
<b>B</b>	
6x70	x4
<b>W</b>	
4x16	x4
<b>U</b>	
	x2





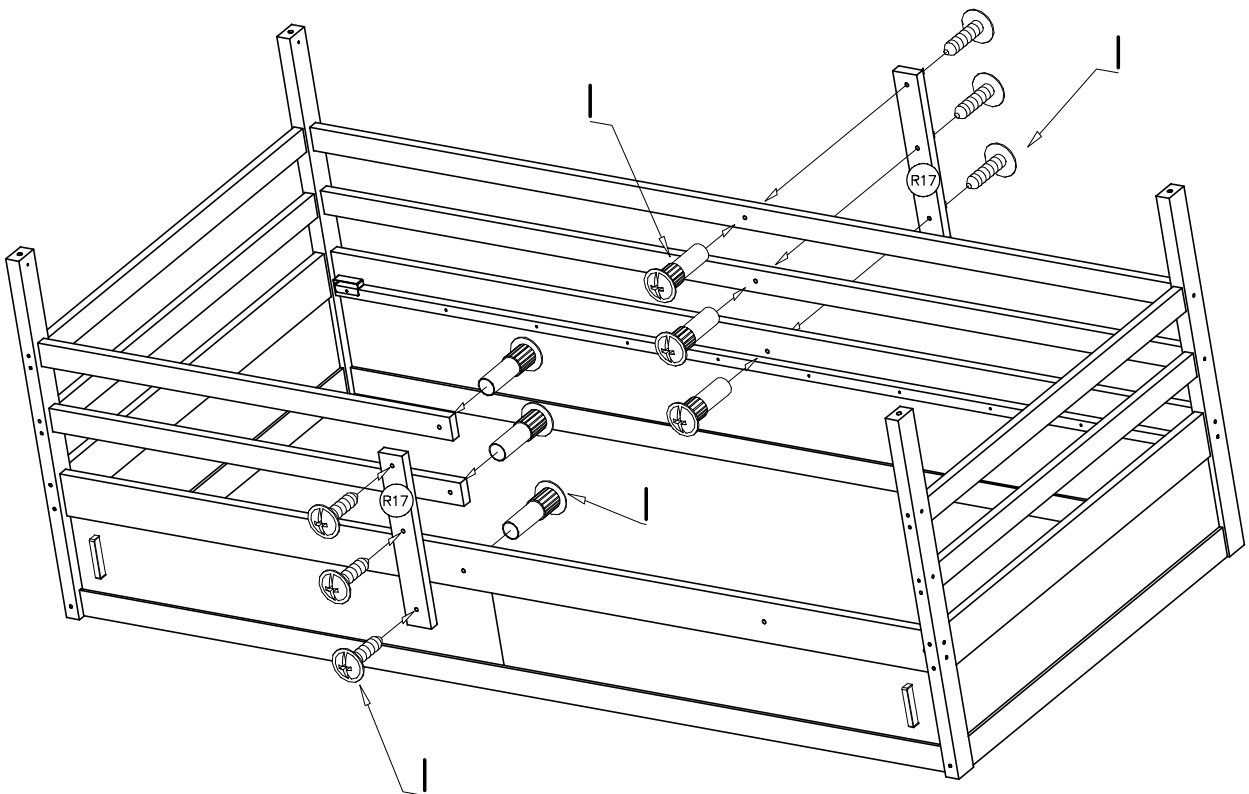
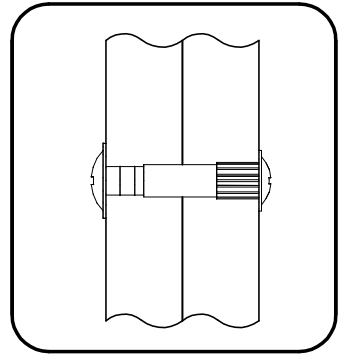
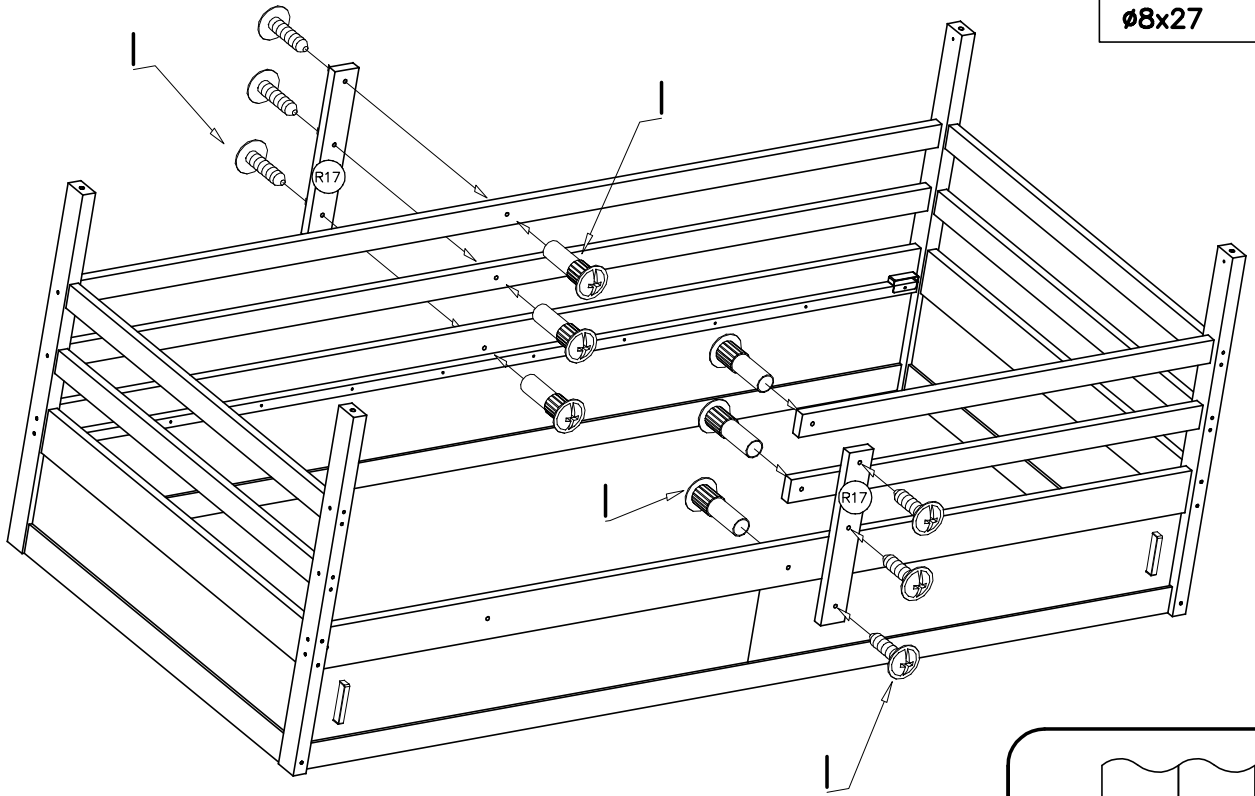
# VIII

<b>B</b>		<b>K</b>	
6x70	x2	ø8	x4



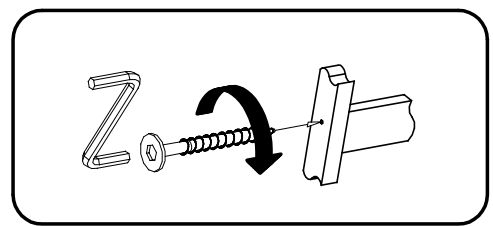
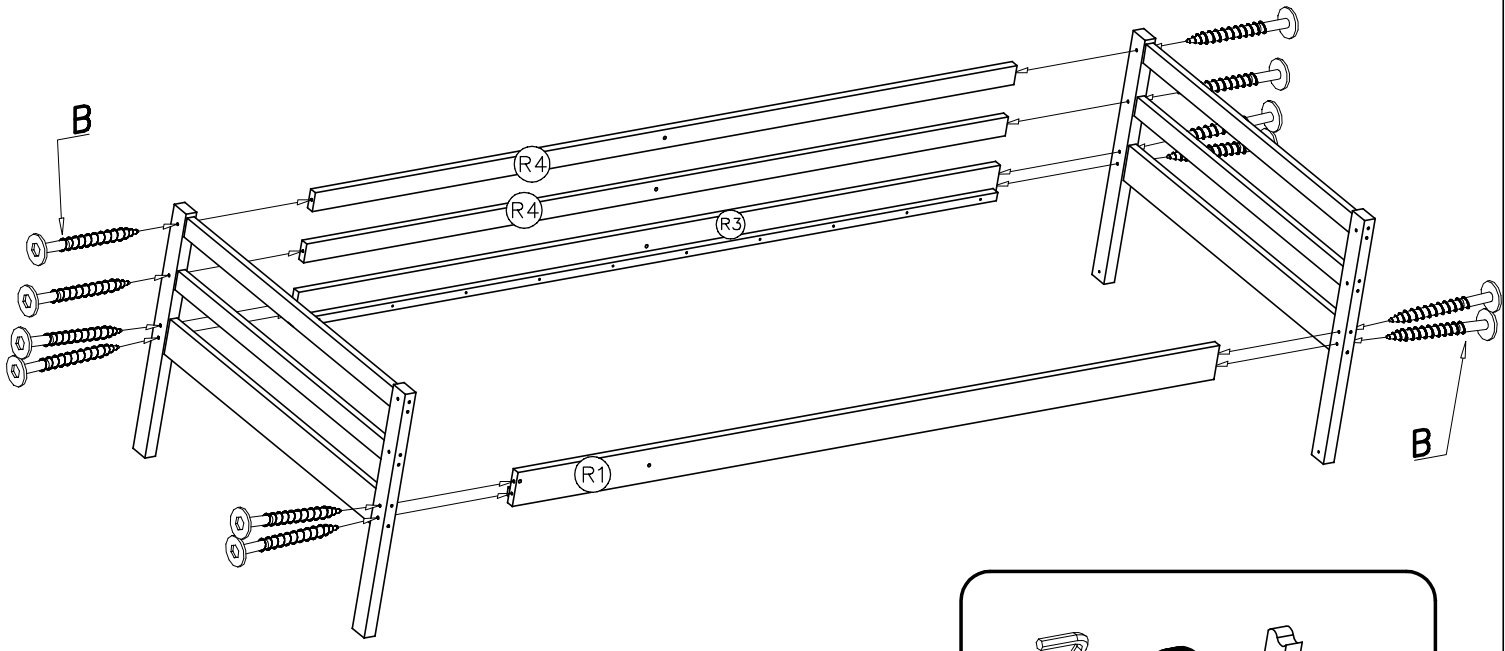
IX

I  
ø8x27 x6



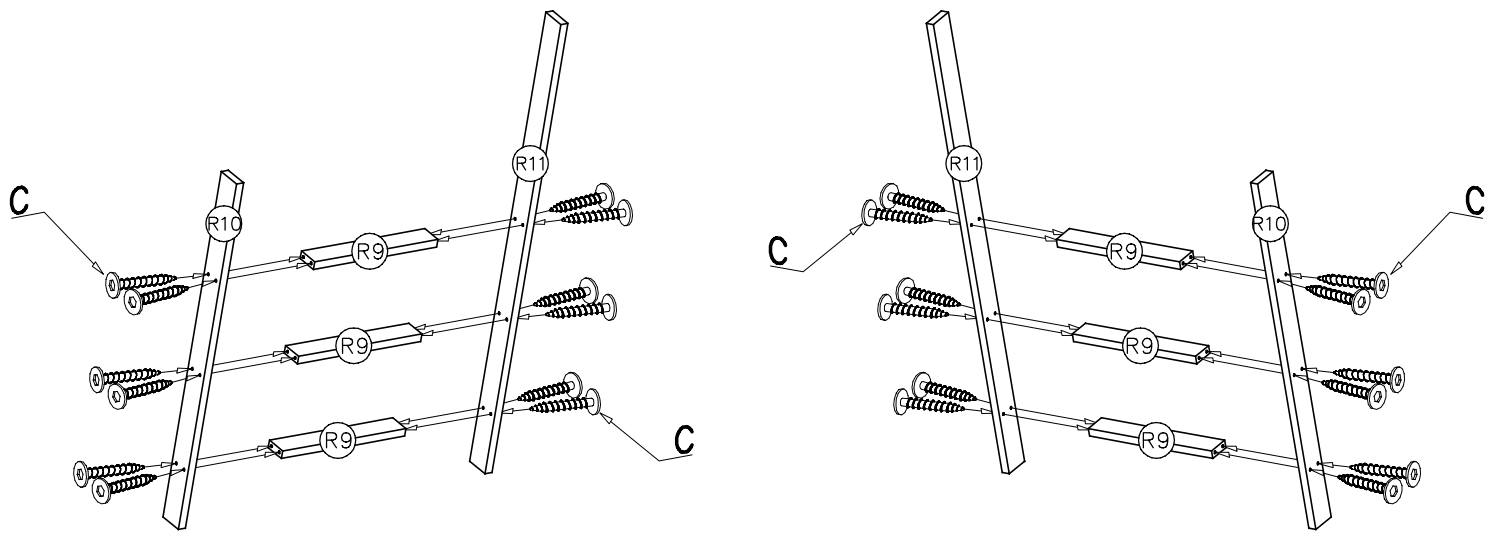
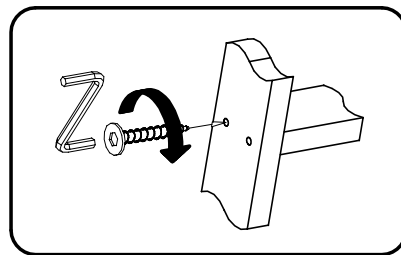
X

B  
6x70 x12



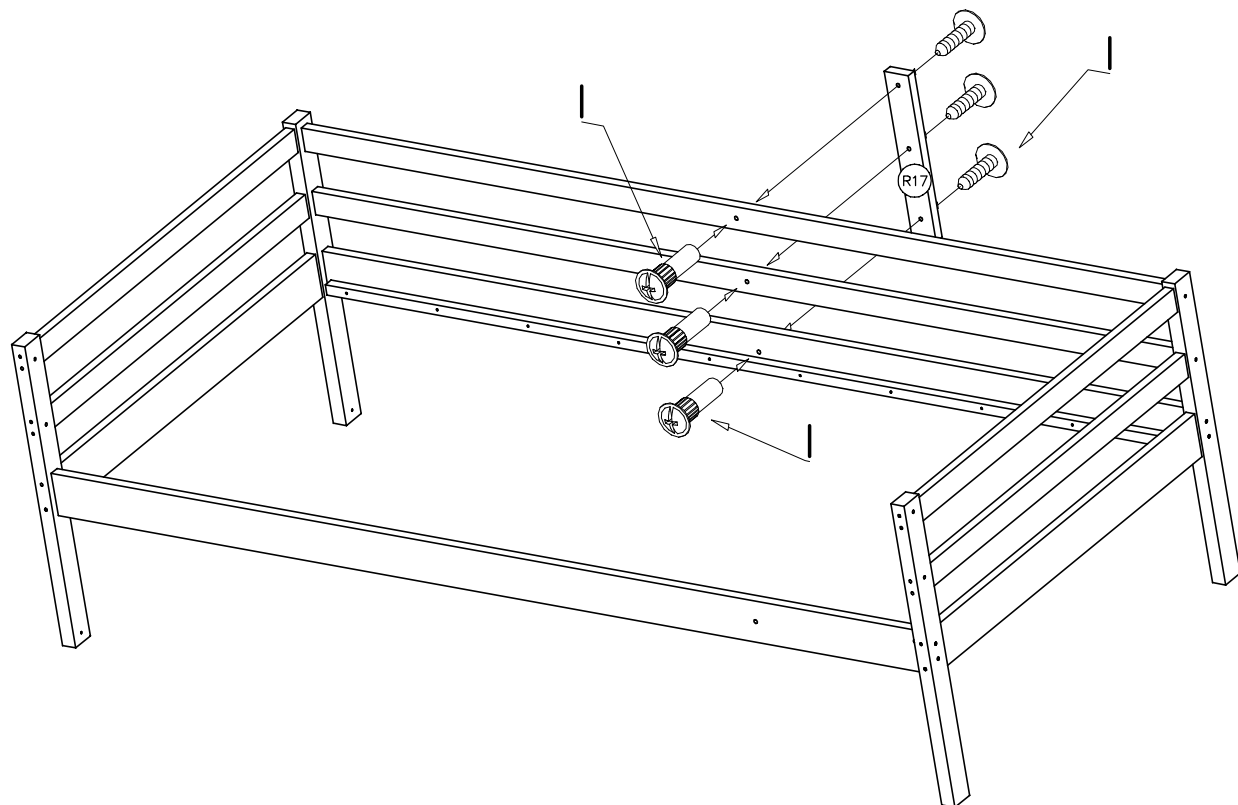
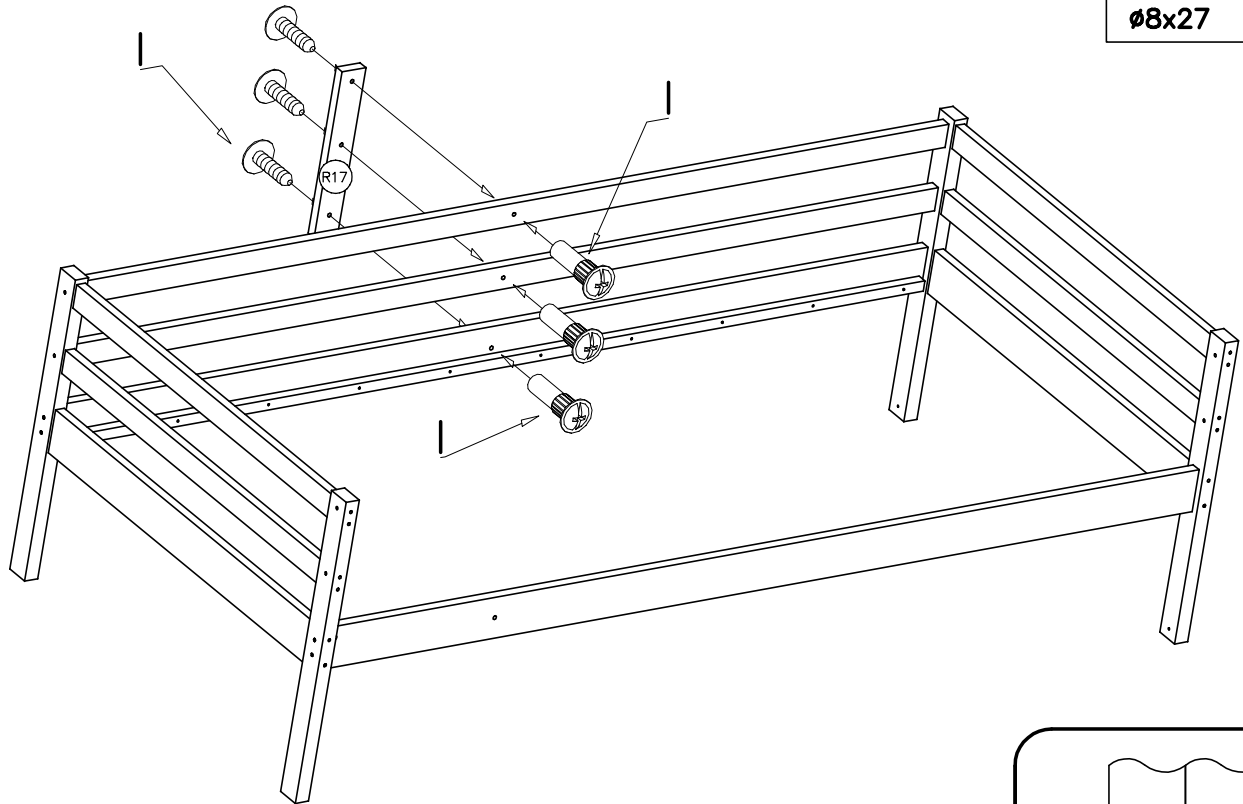
XI

C  
6x50 x12

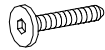
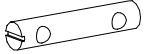


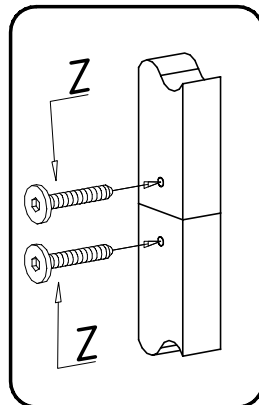
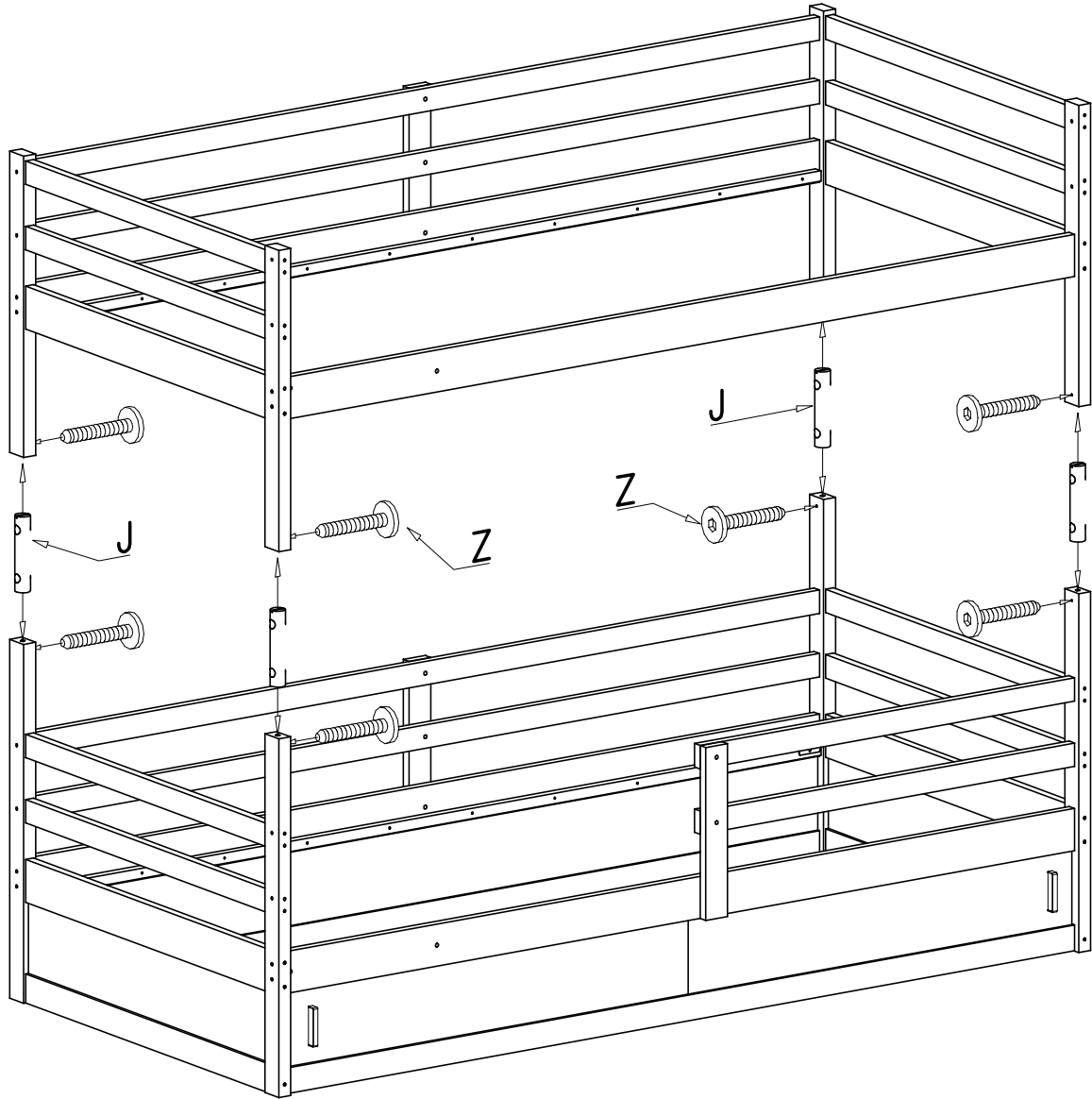
XII

I  
ø8x27 x3



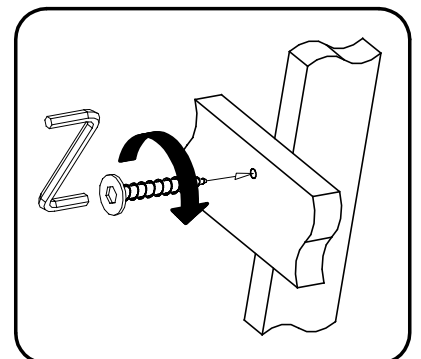
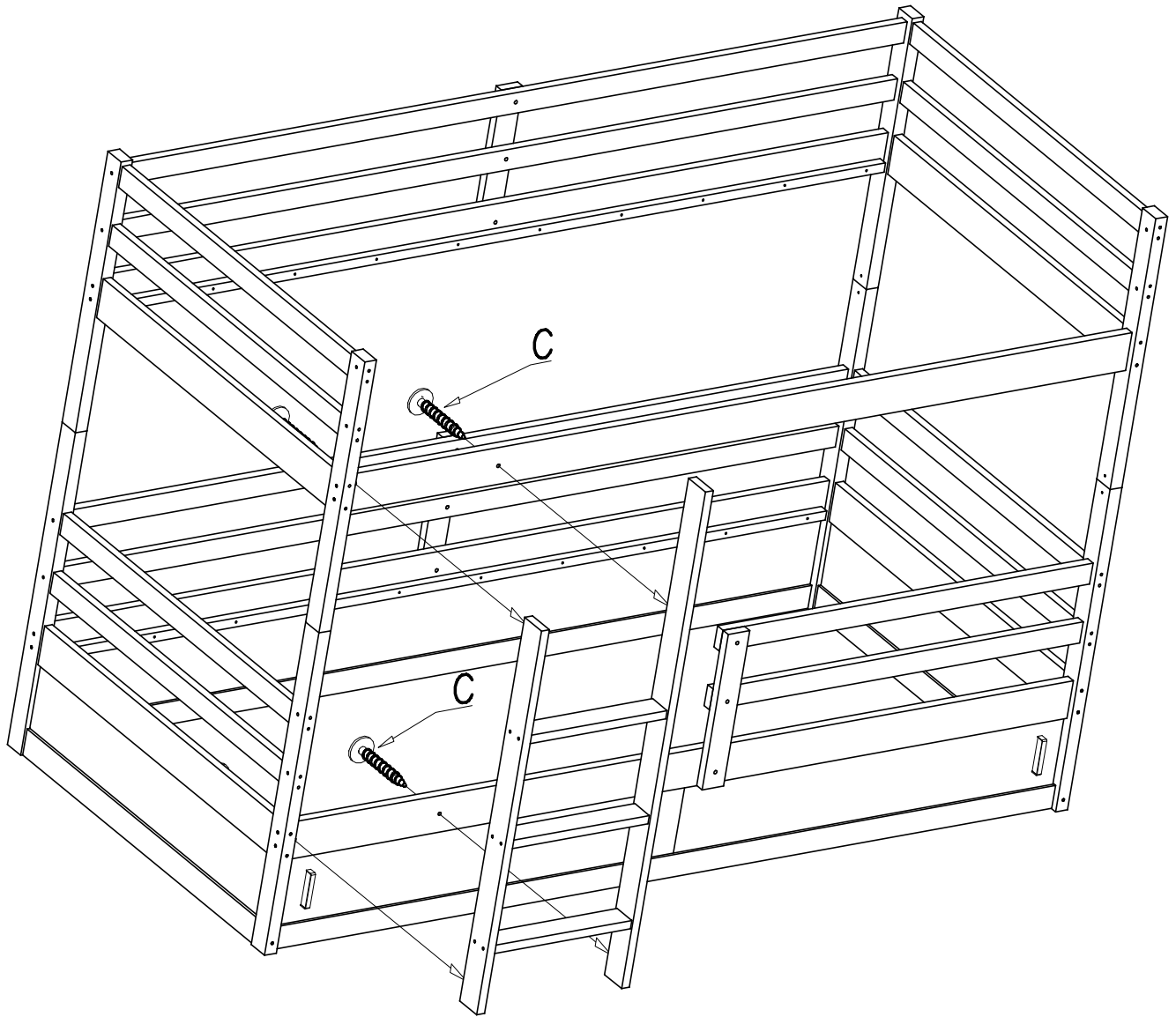
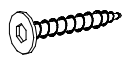
XIII

Z		J	
M6x20	x8		x4

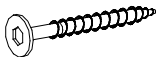



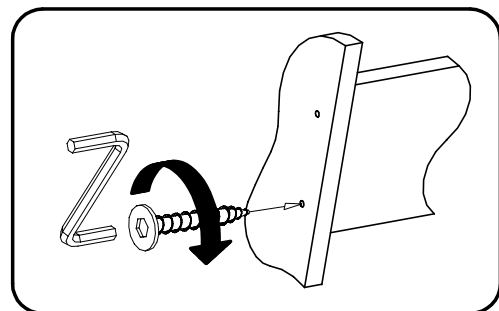
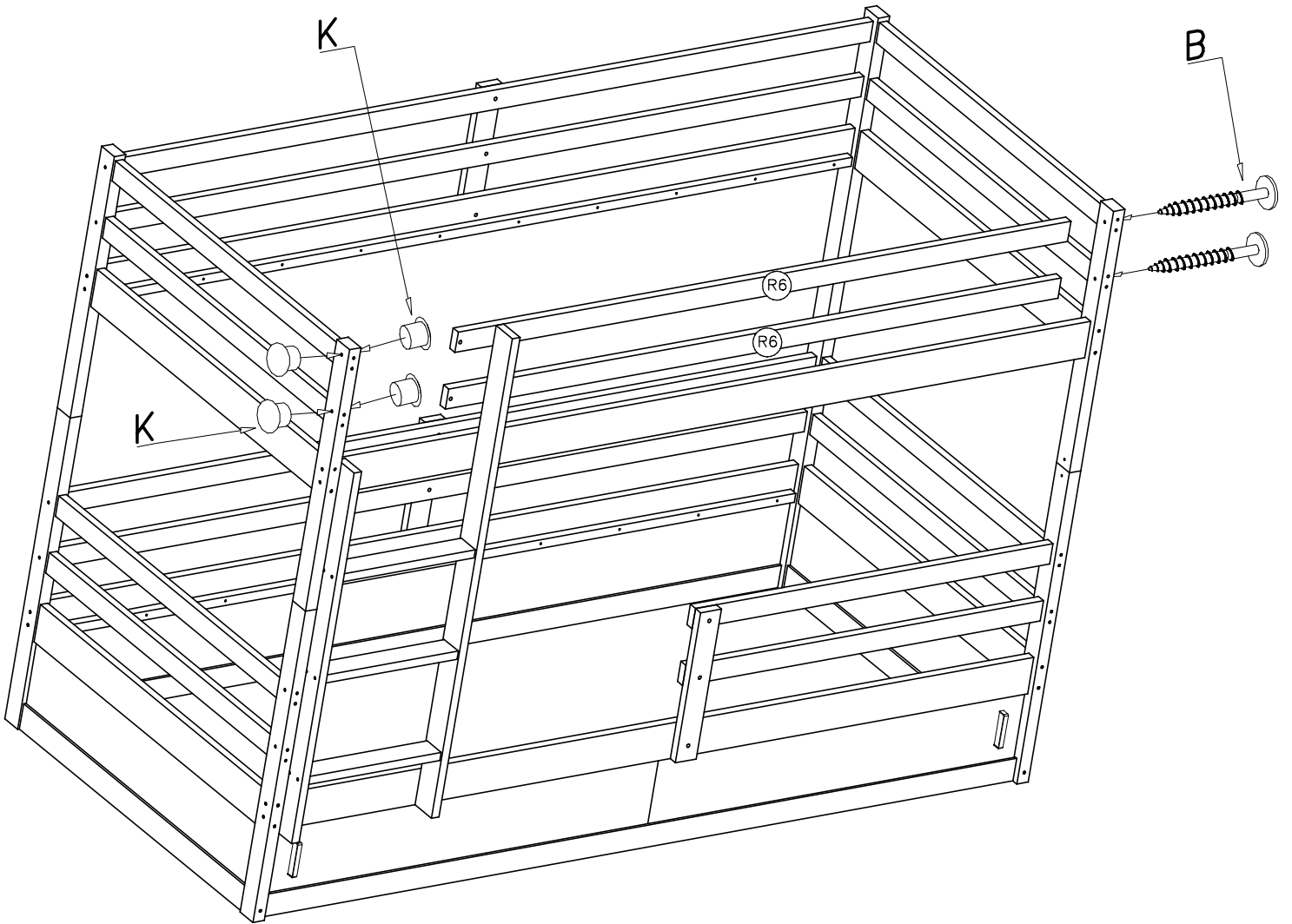
XIV

C  
6x50 x4



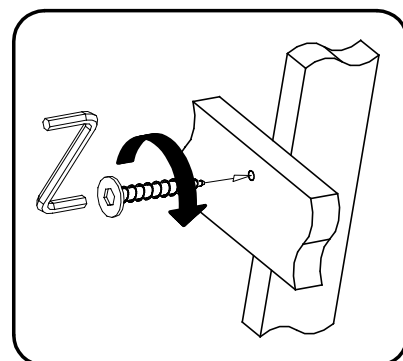
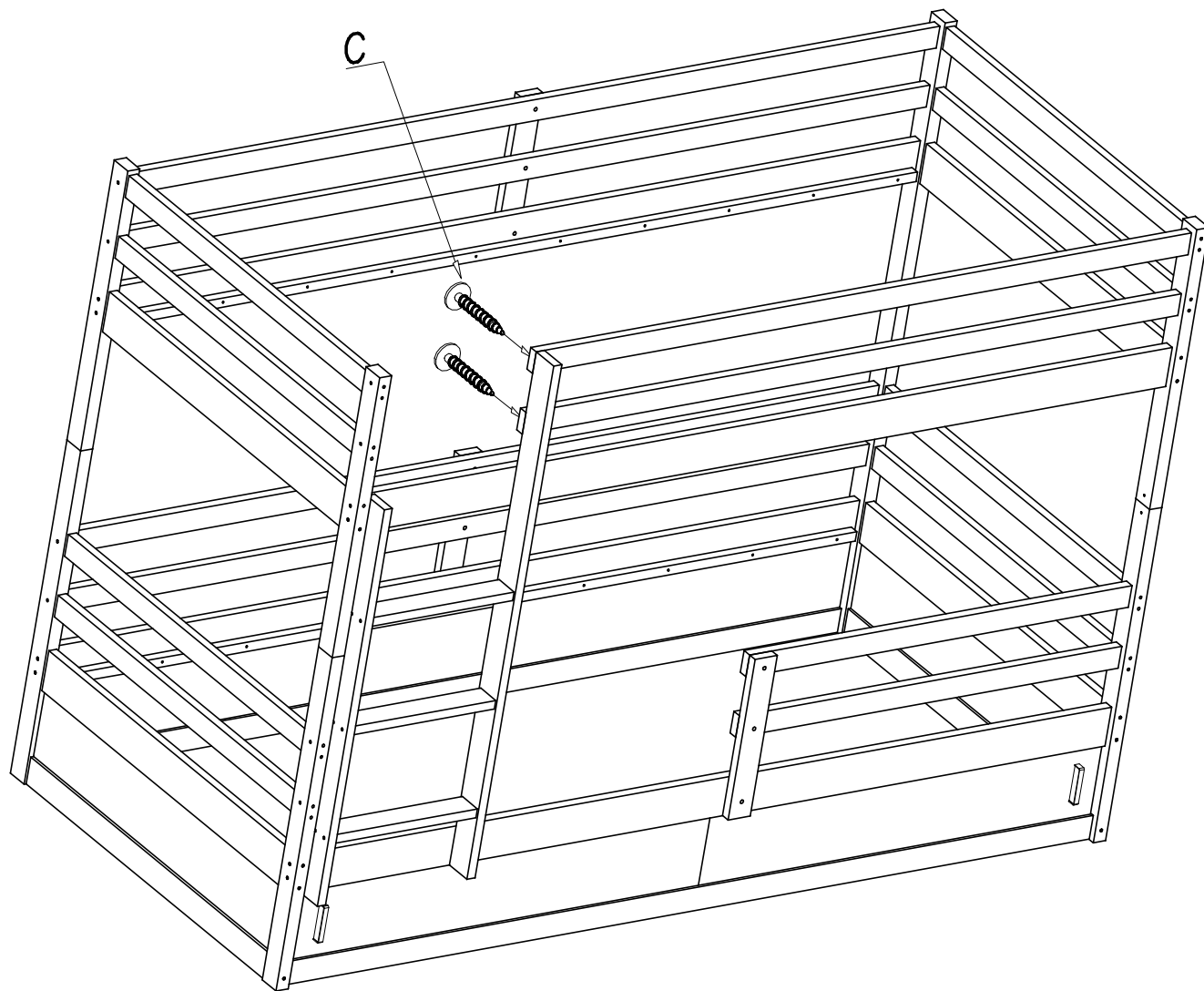
XV

B		K	
6x70	x2	ø8	x4



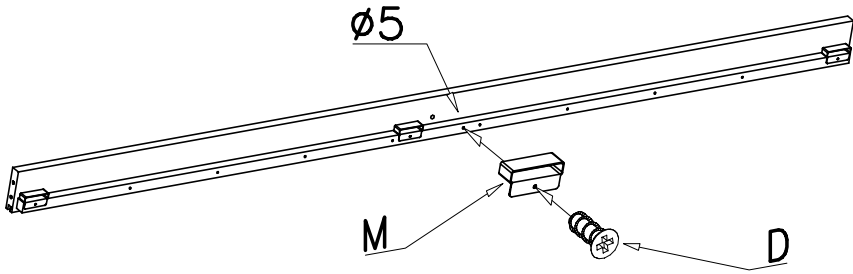
XVI

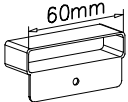
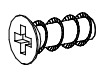
C  
6x50 x6

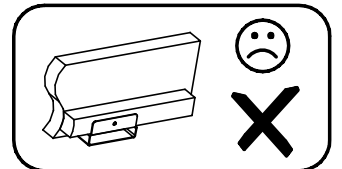
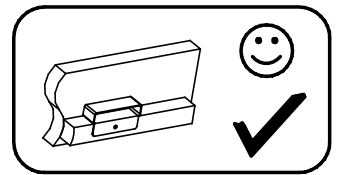
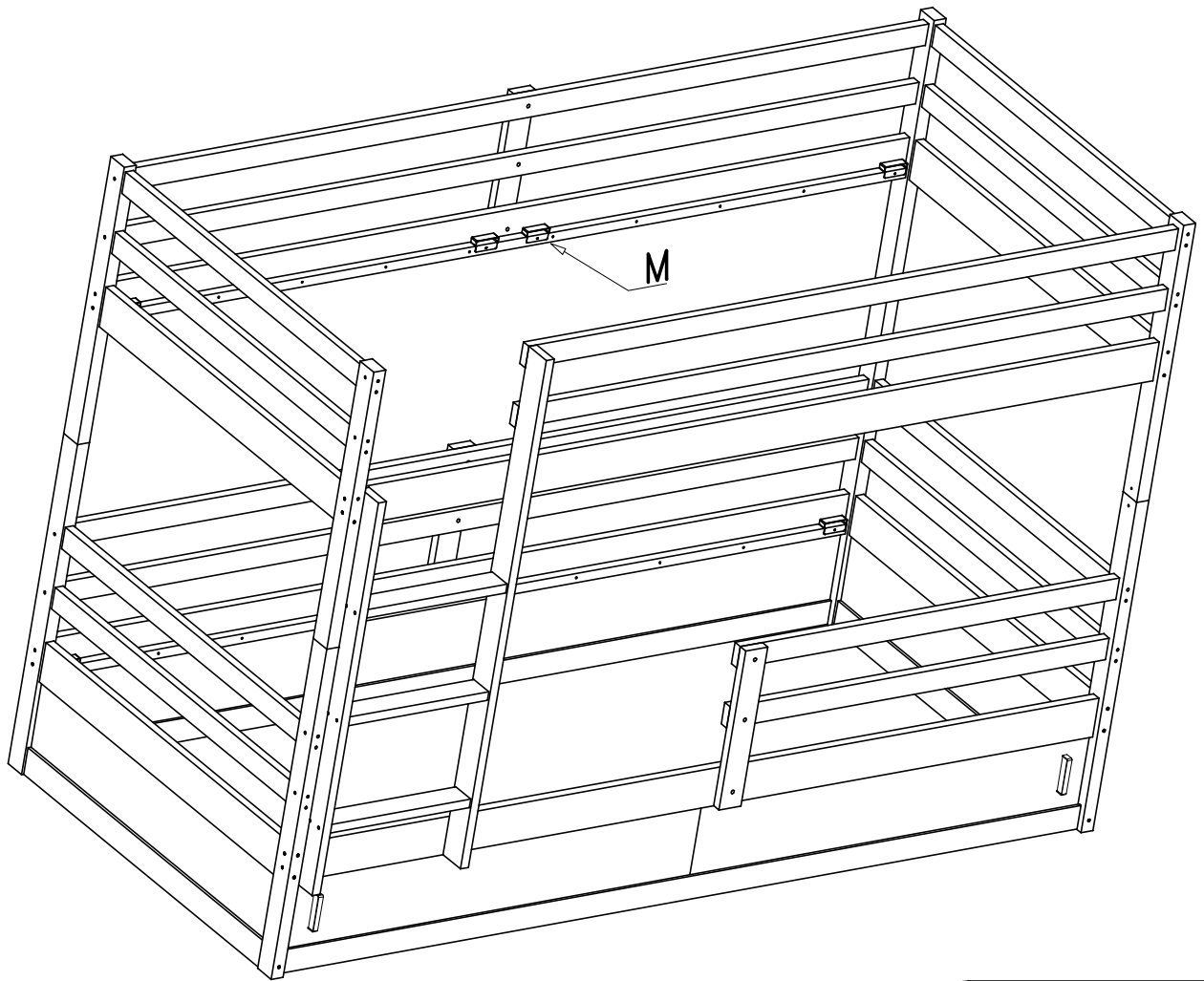




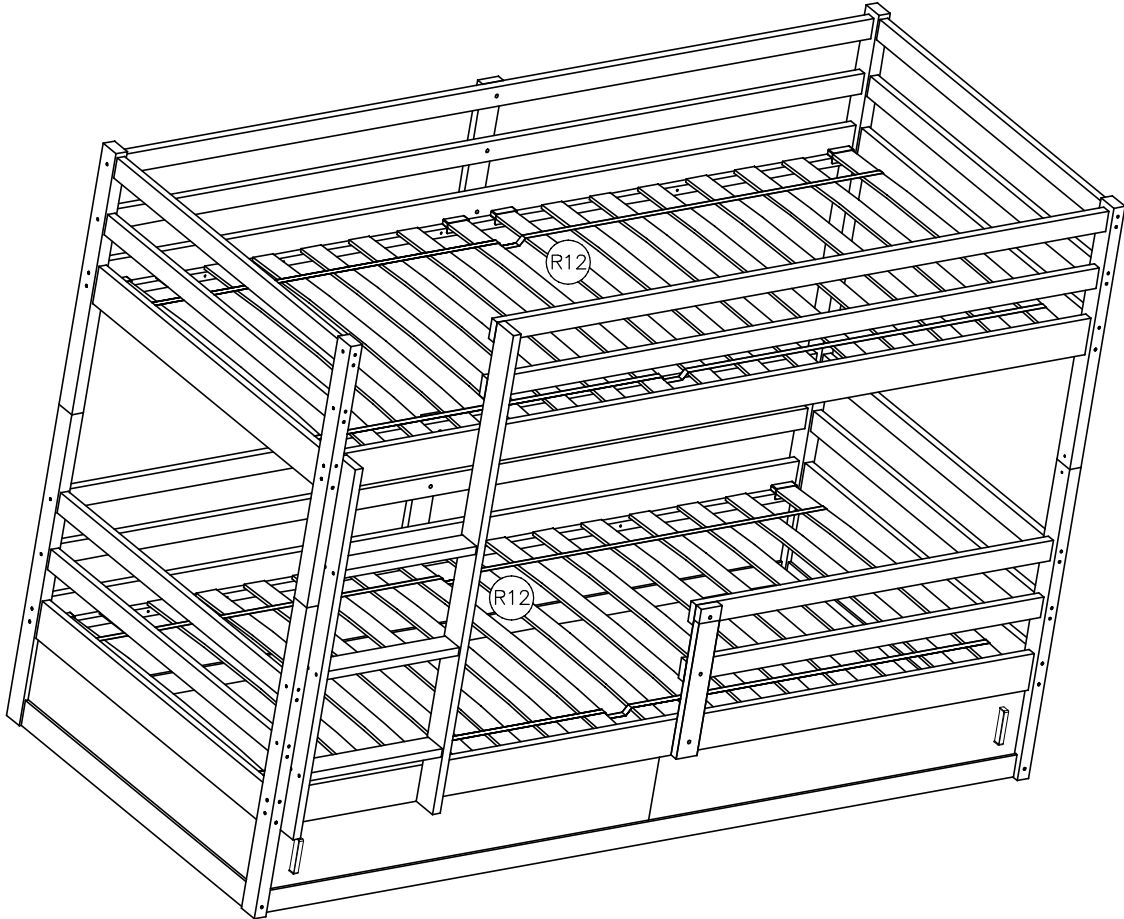
# XVII



- M  60mm x16
- D  6x13 x16



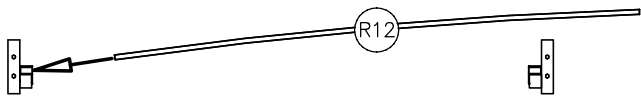
# XVIII



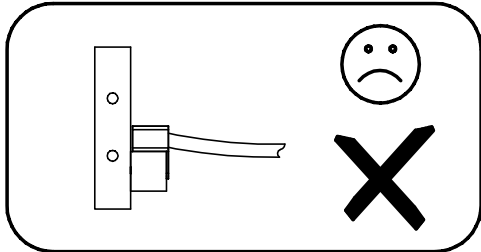
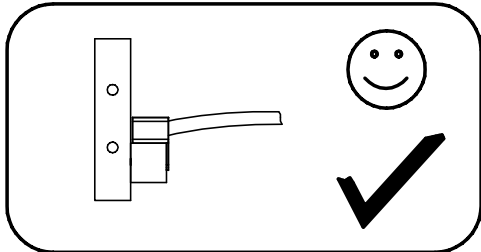
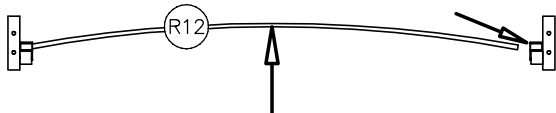
1.



2.



3.



XIX

F  
3,5x30 x4

