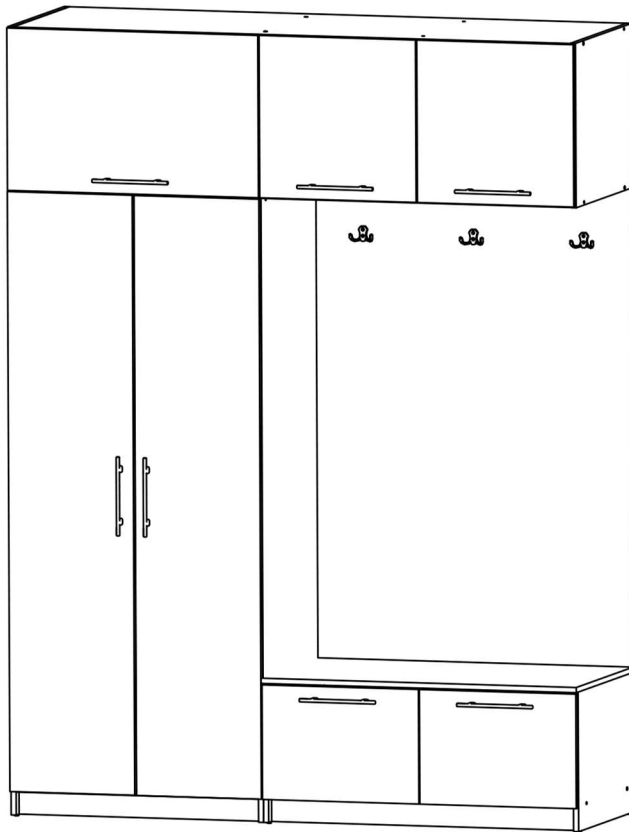
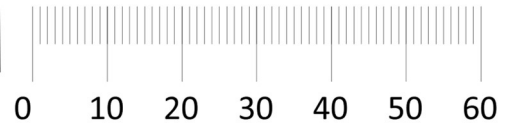
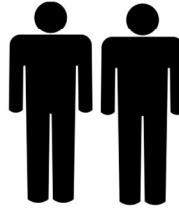
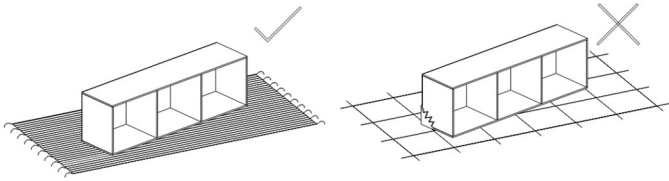
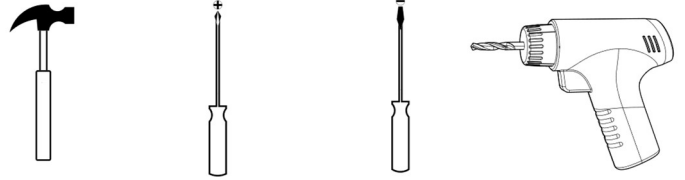


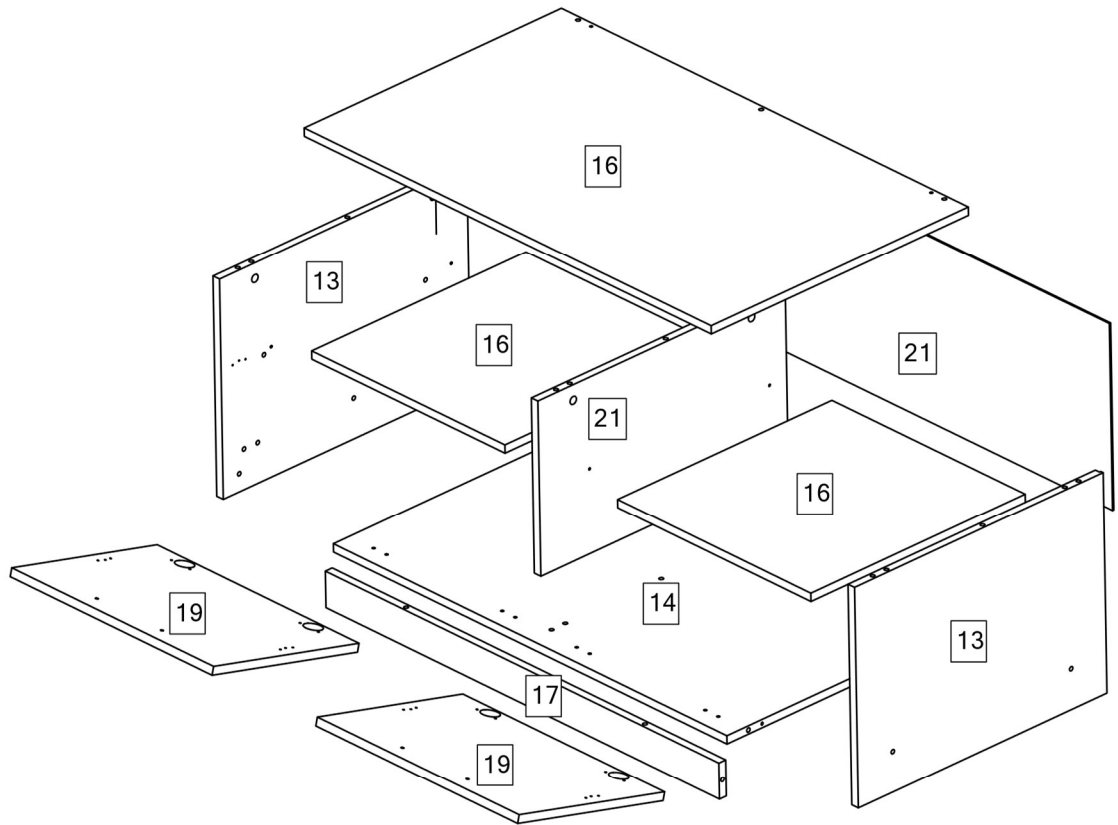
200



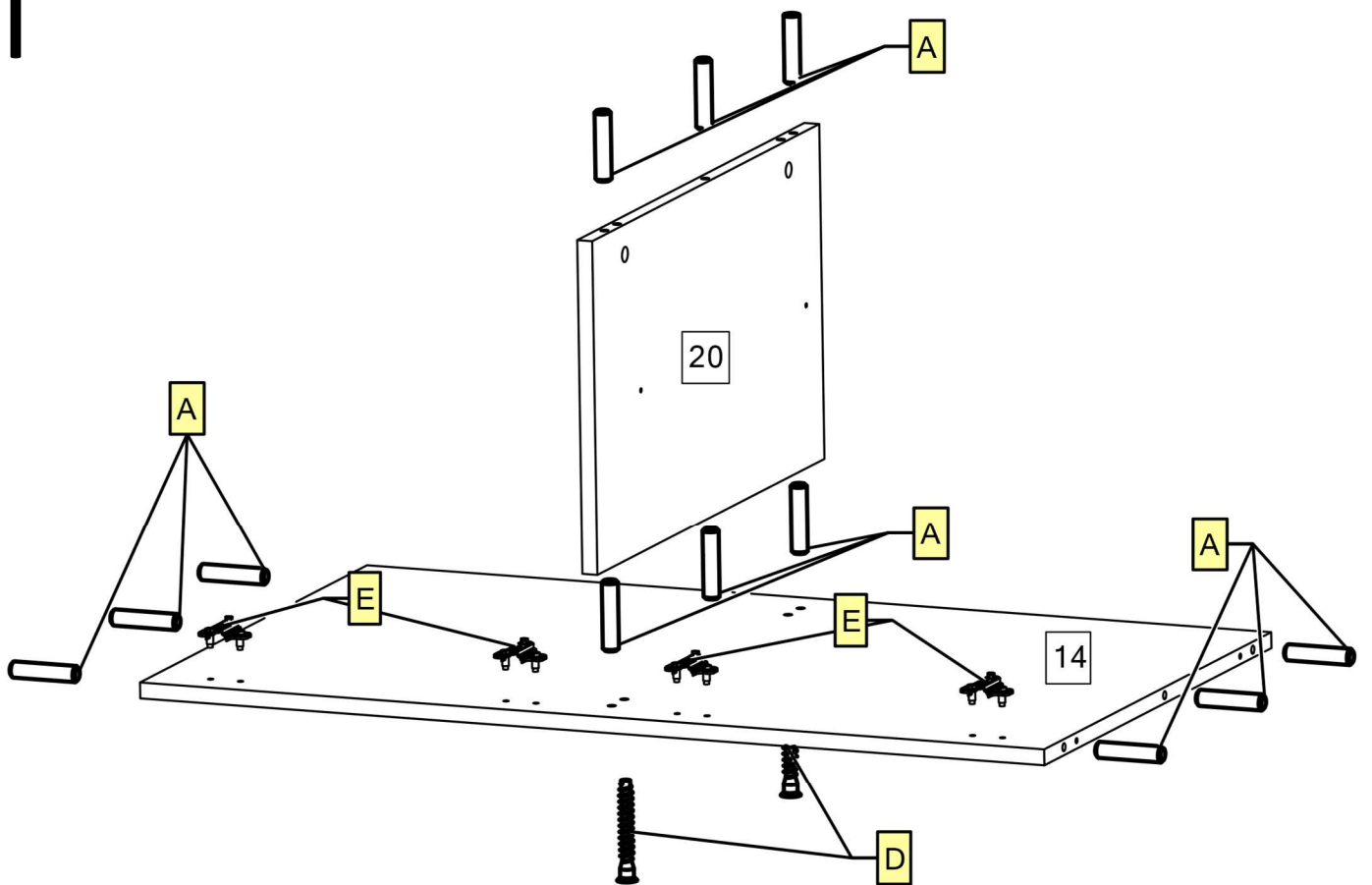
No	T(mm)	L(mm)	W(mm)	Stc.
1	16	1900	580	2
2	16	967	577	1
3	16	967	100	2
4	16	967	70	1
5	16	1827	496	2
6	3	1830	493	2
7	16	500	580	2
8	16	1968	580	2
9	16	467	577	2
10	16	996	494	1
11	16	496	494	2
12	3	1987	487	1
13	16	424	580	2
14	16	967	577	1
15	16	475	500	2
16	16	1000	600	1
17	16	667	70	1
18	16	1460	1000	1
19	16	496	348	2
20	16	338	577	1
21	3	987	360	1

<b>A</b>  8x35      X72	<b>B</b>  X10	<b>C</b>  X10	<b>D</b>  7x50      x28	<b>E</b>  x16	<b>F</b>  x16
<b>G</b>  3,5x16      X74	<b>H</b>  x1	<b>I</b>  x2	<b>J</b>  x6	<b>K</b>  X8	<b>L</b>  X2
<b>M</b>  x4	<b>N</b>  x8	<b>O</b>  X3	<b>P</b>  X7	<b>R</b>  4x25      X14	<b>S</b>  2x20      x100
<b>T</b>  4x25      X6					

I

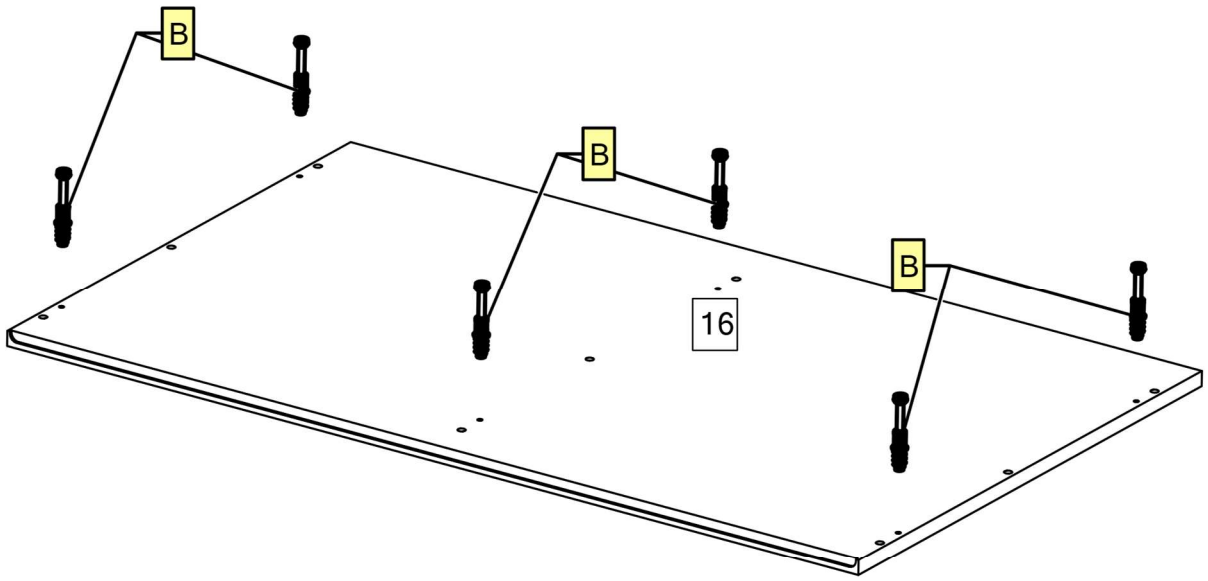


II

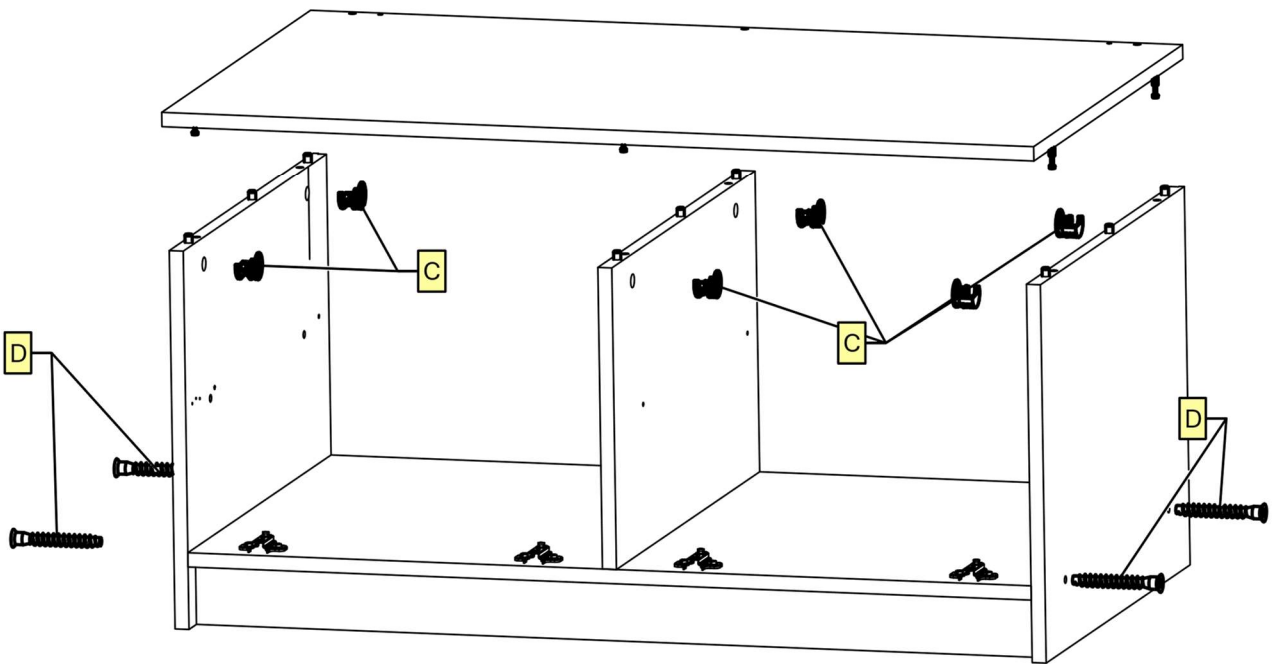




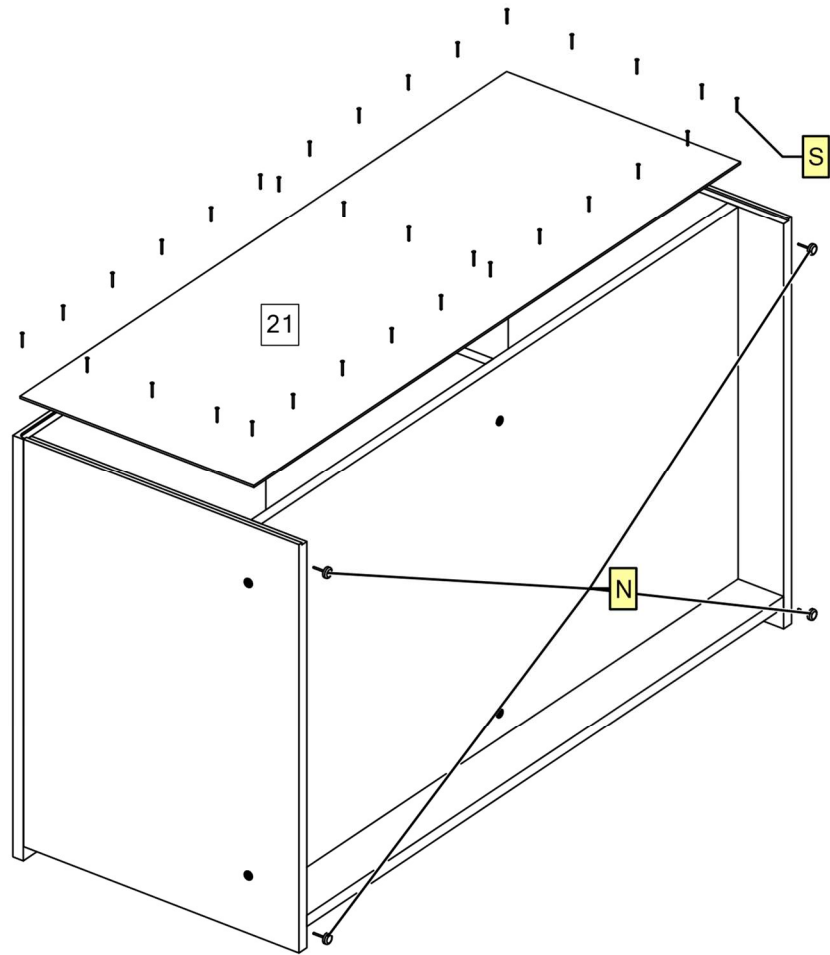
# V



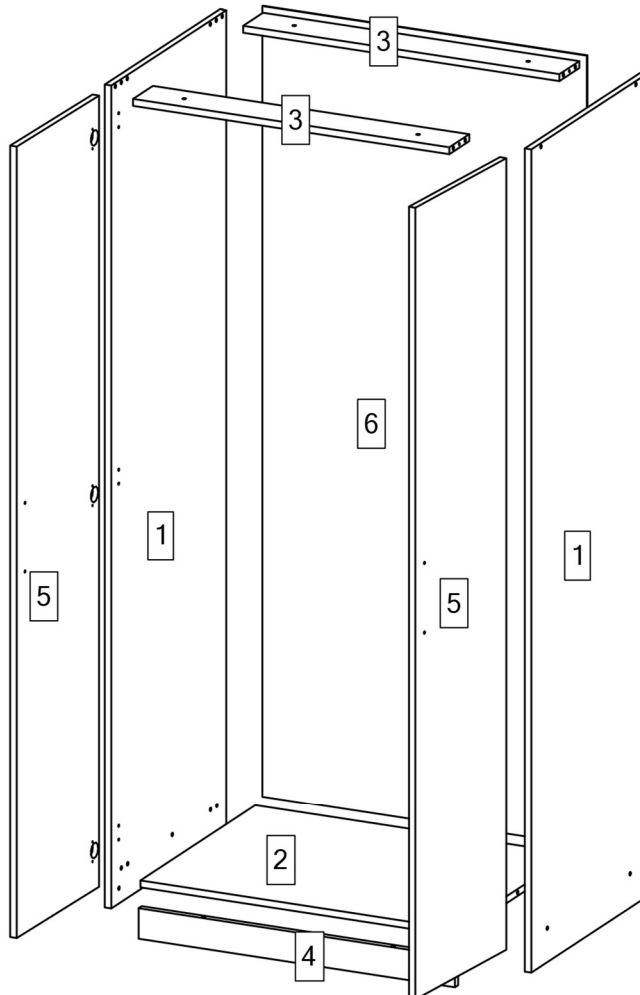
# VI



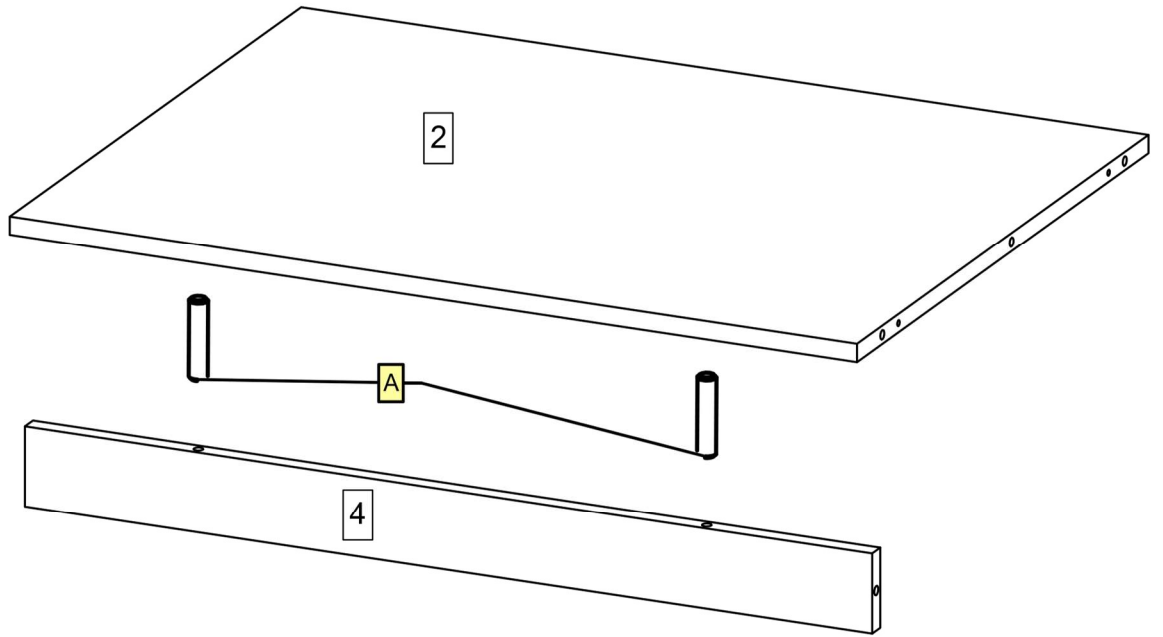
# VII



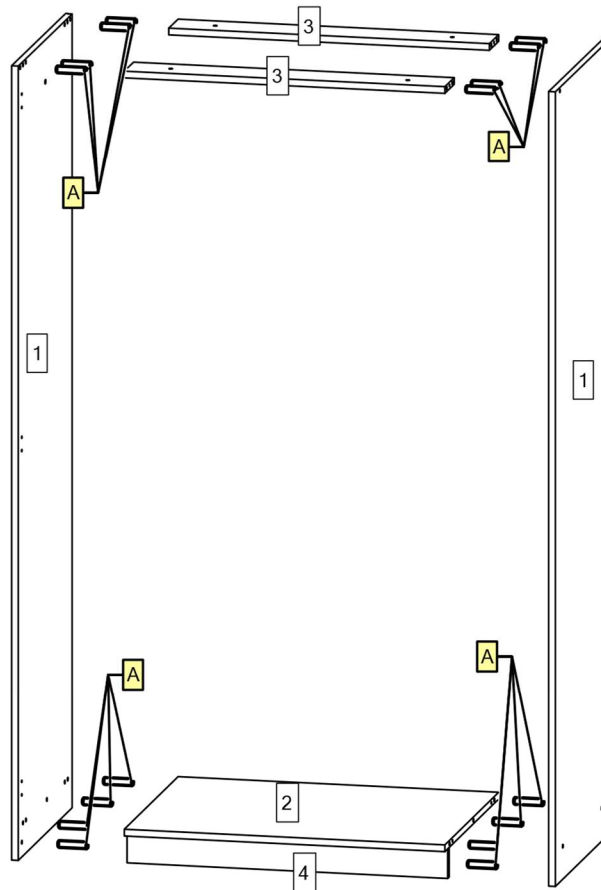
# VIII



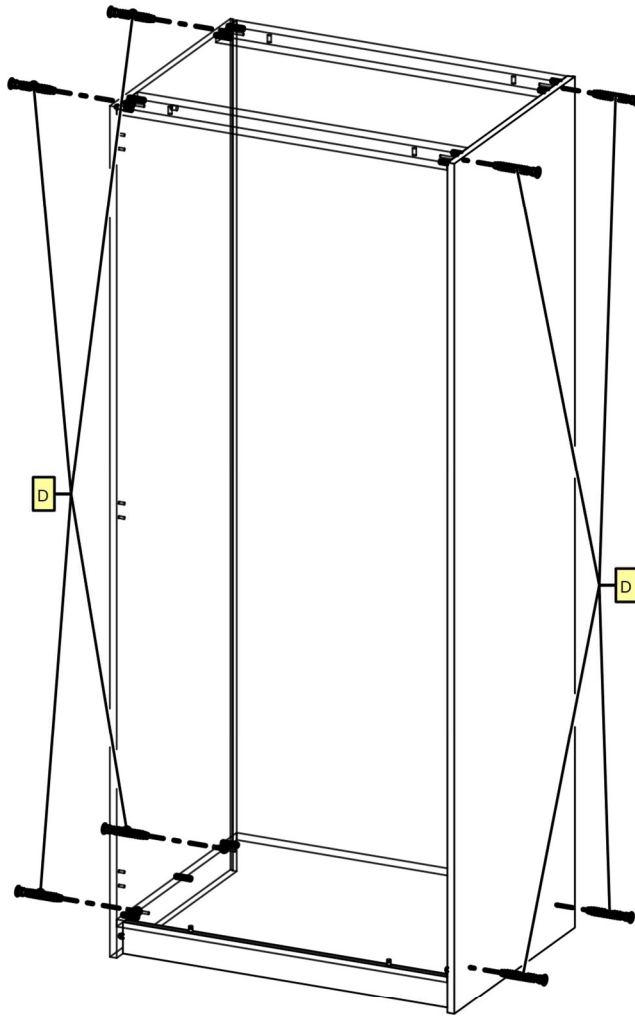
# IX



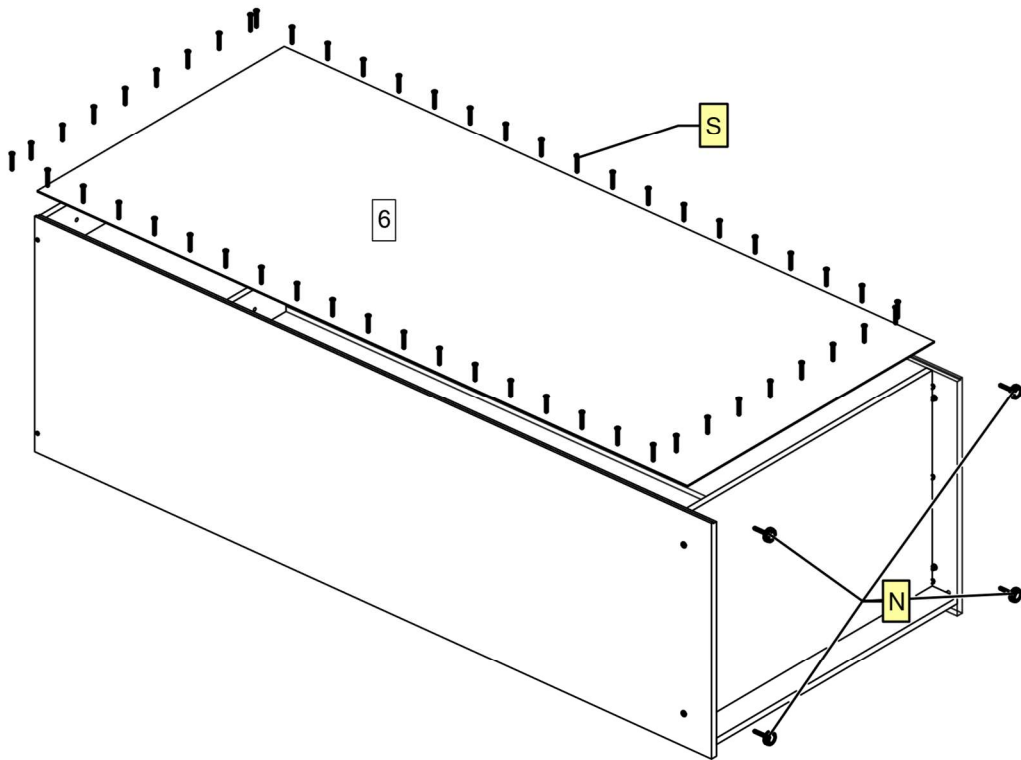
# X



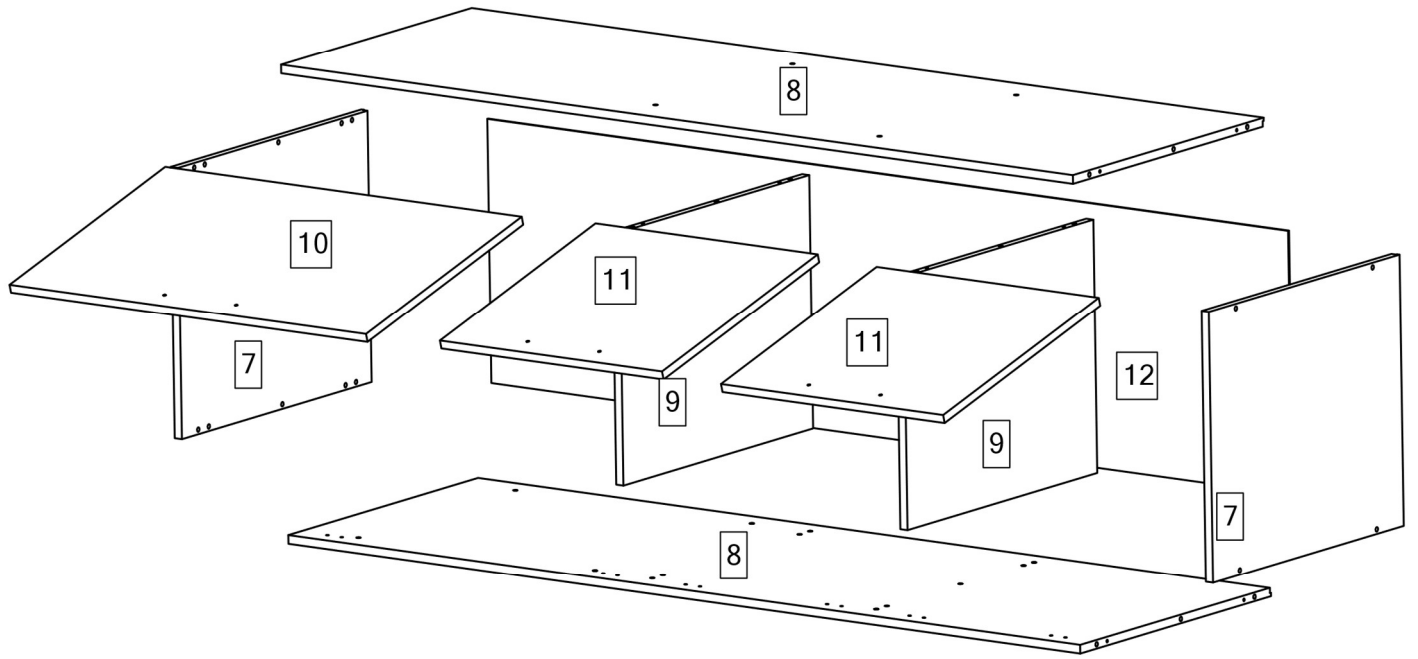
XI



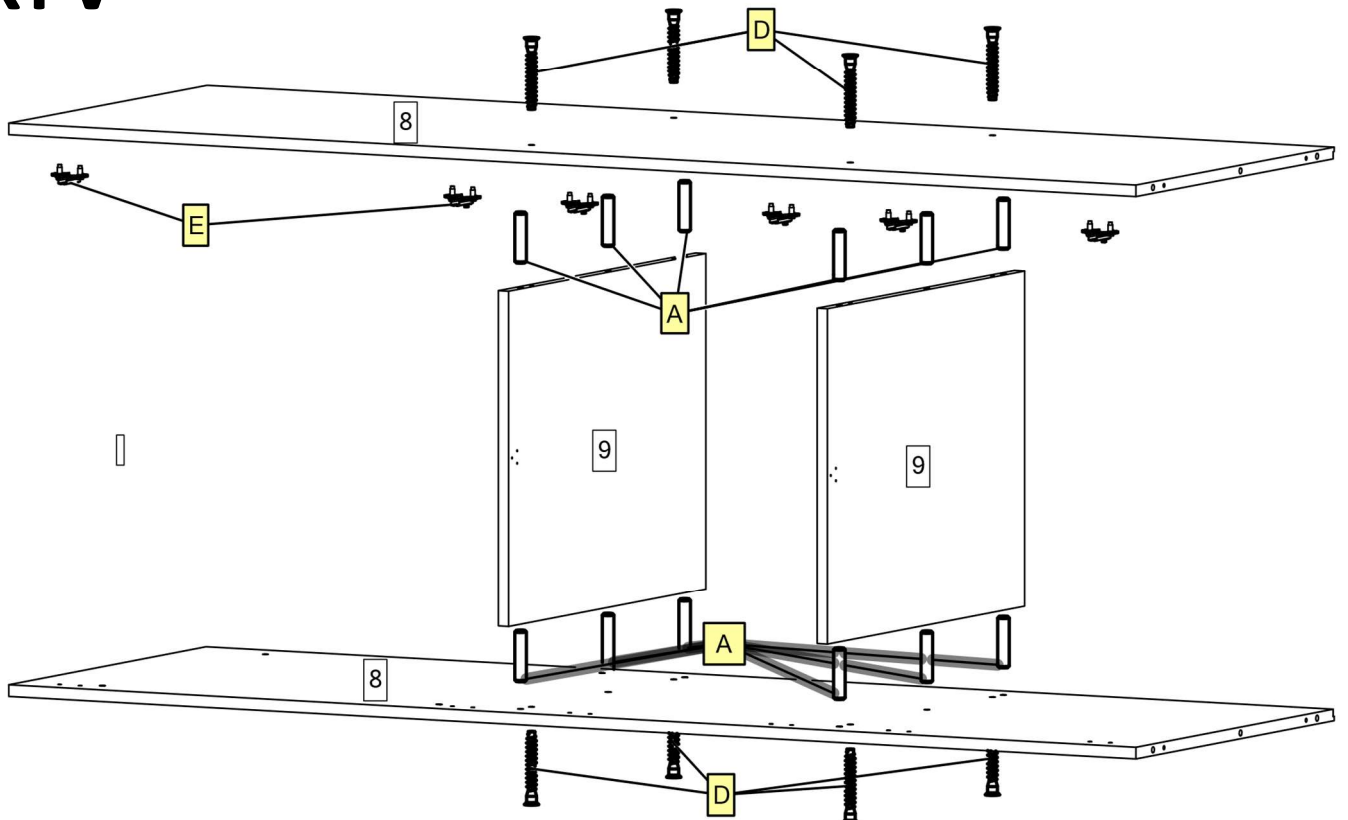
XII



# XIII

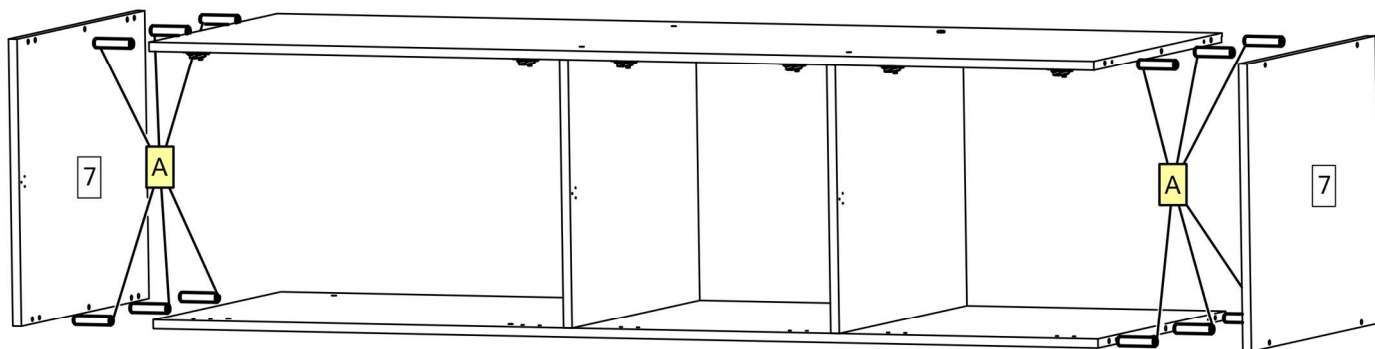


# XIV

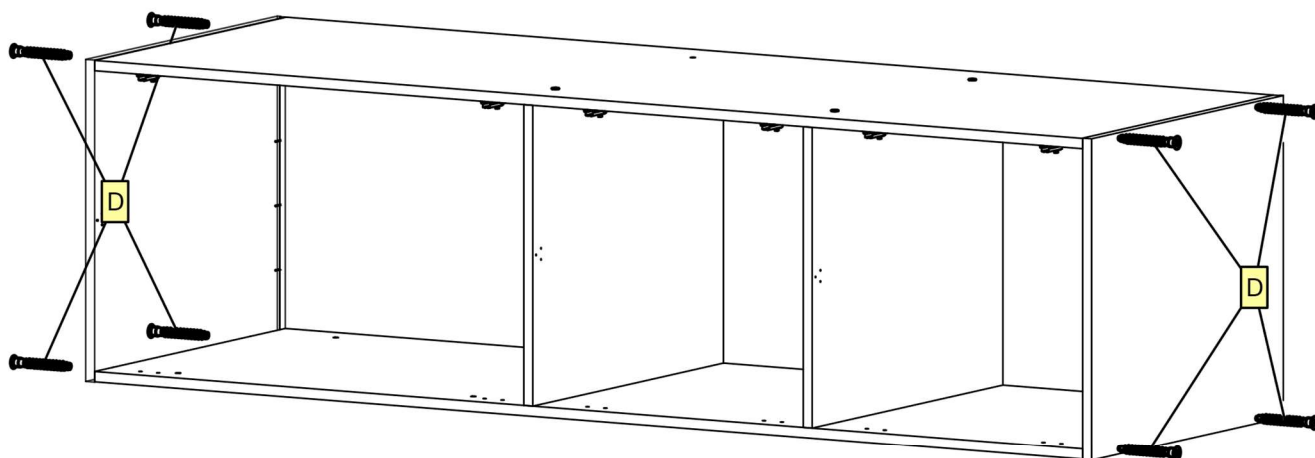




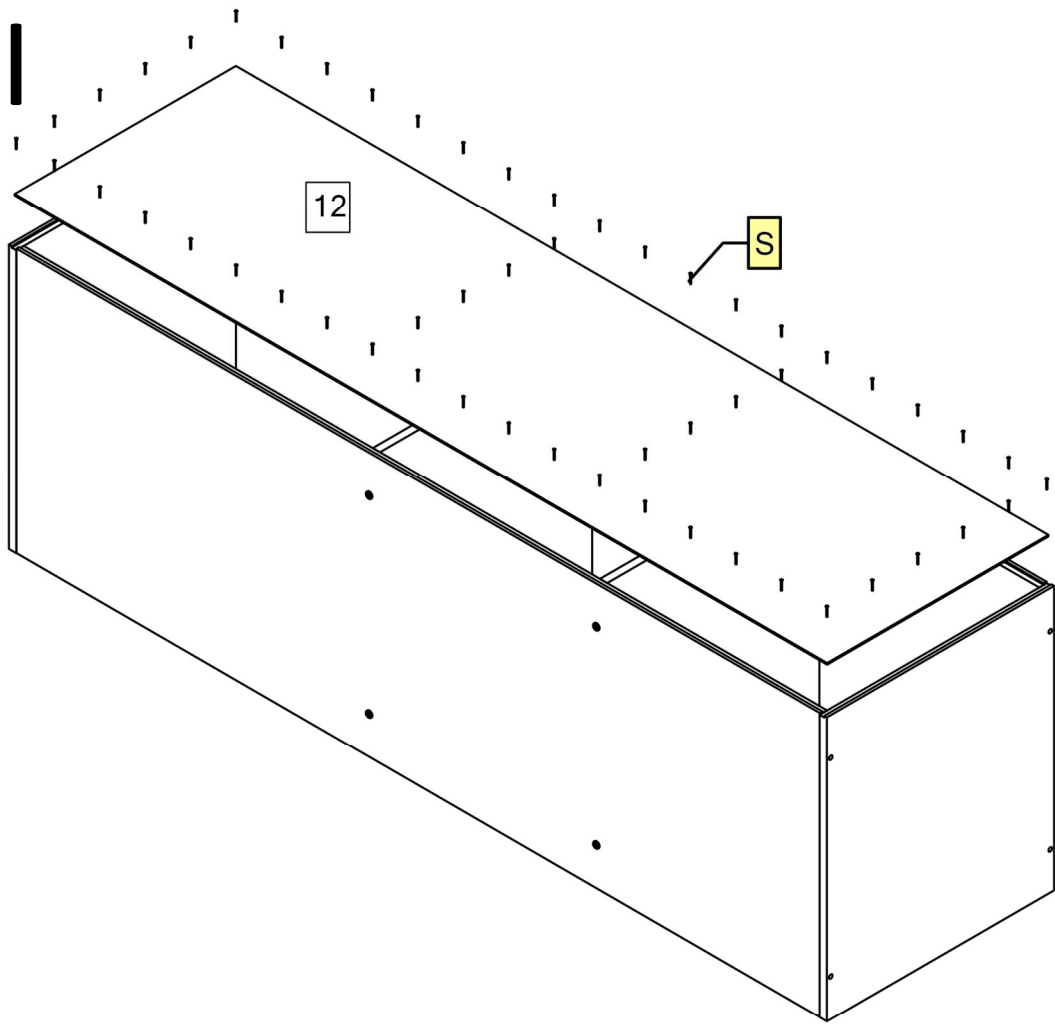
# XV



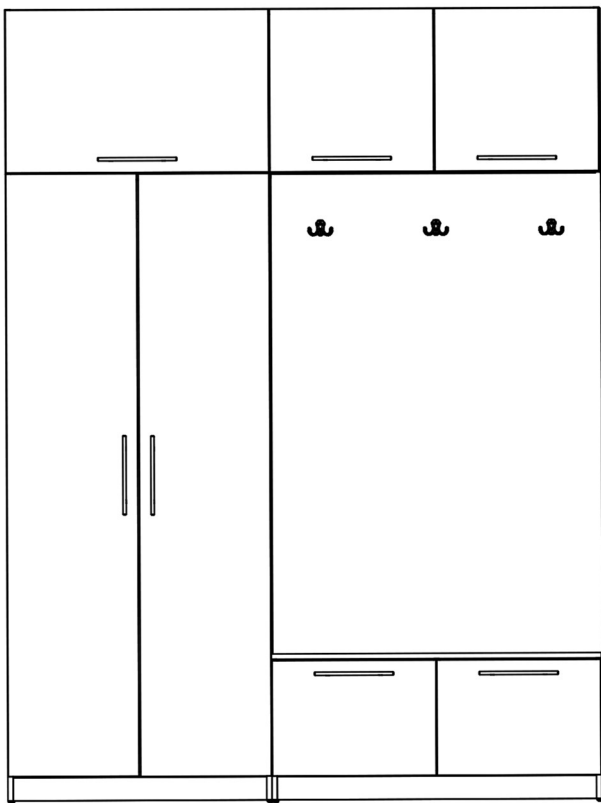
# XVI



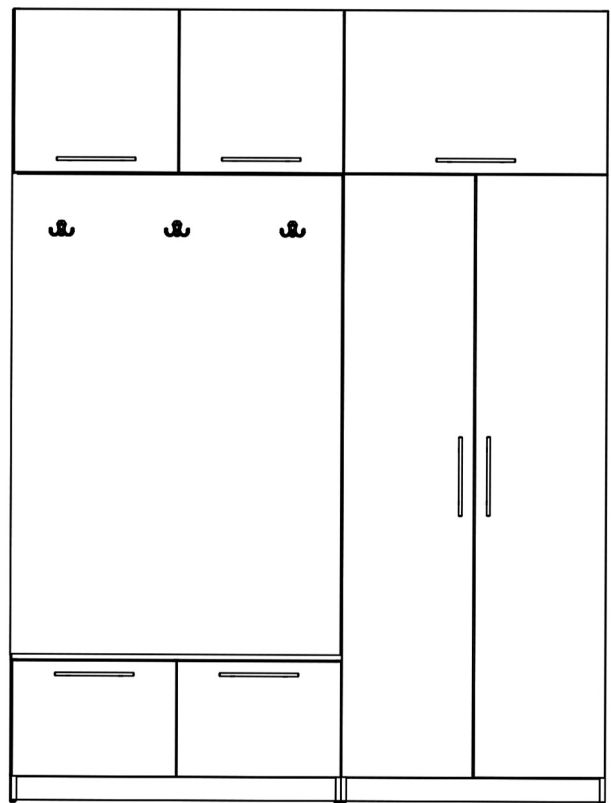
# XVII



# XVIII

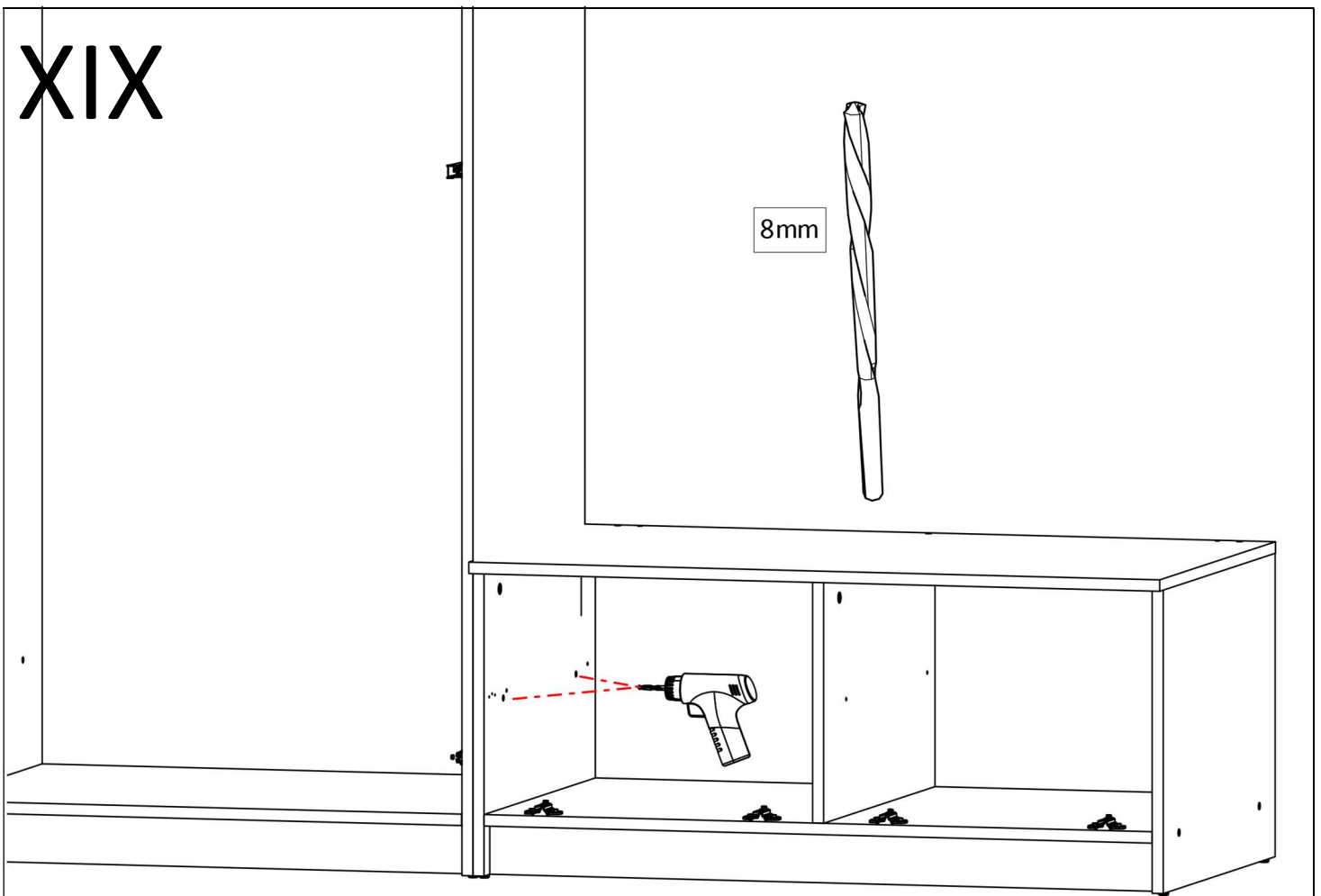


A

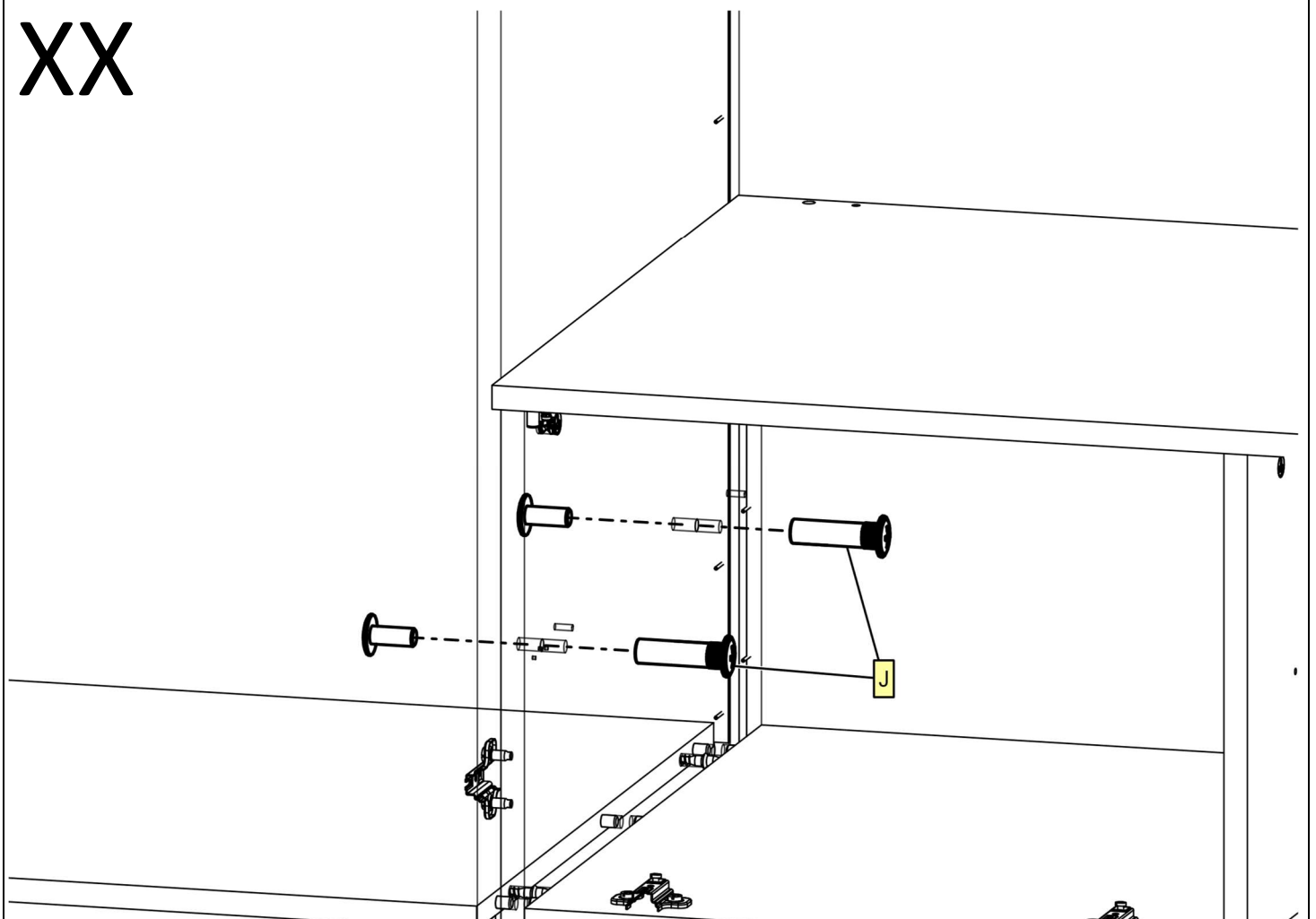


B

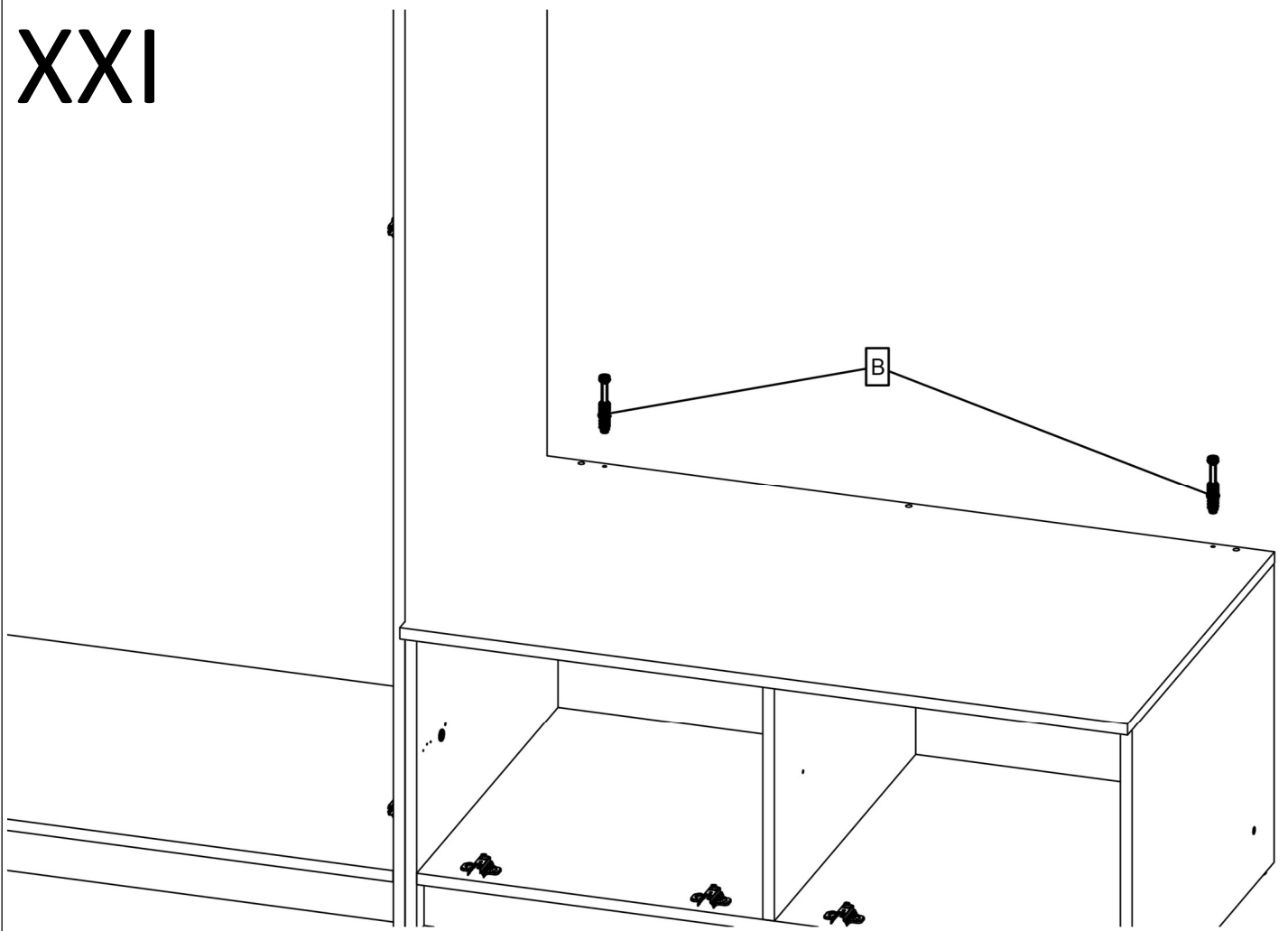
# XIX



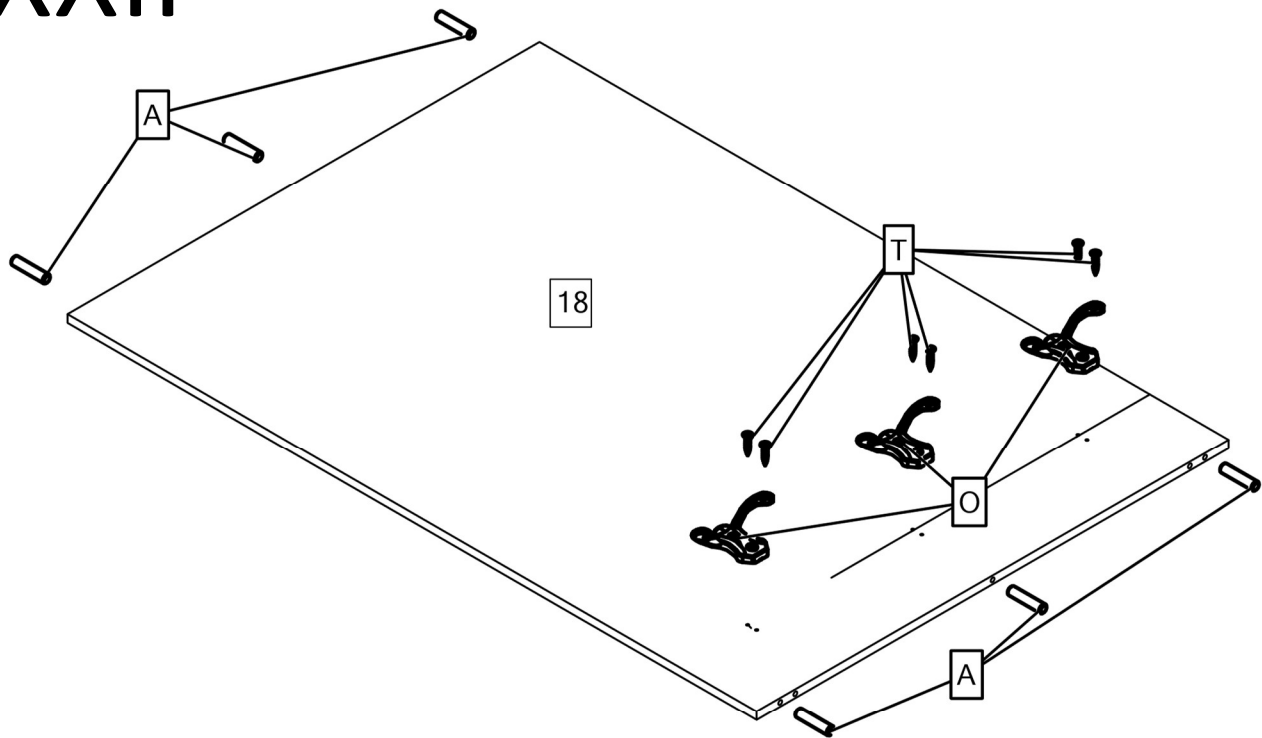
# XX



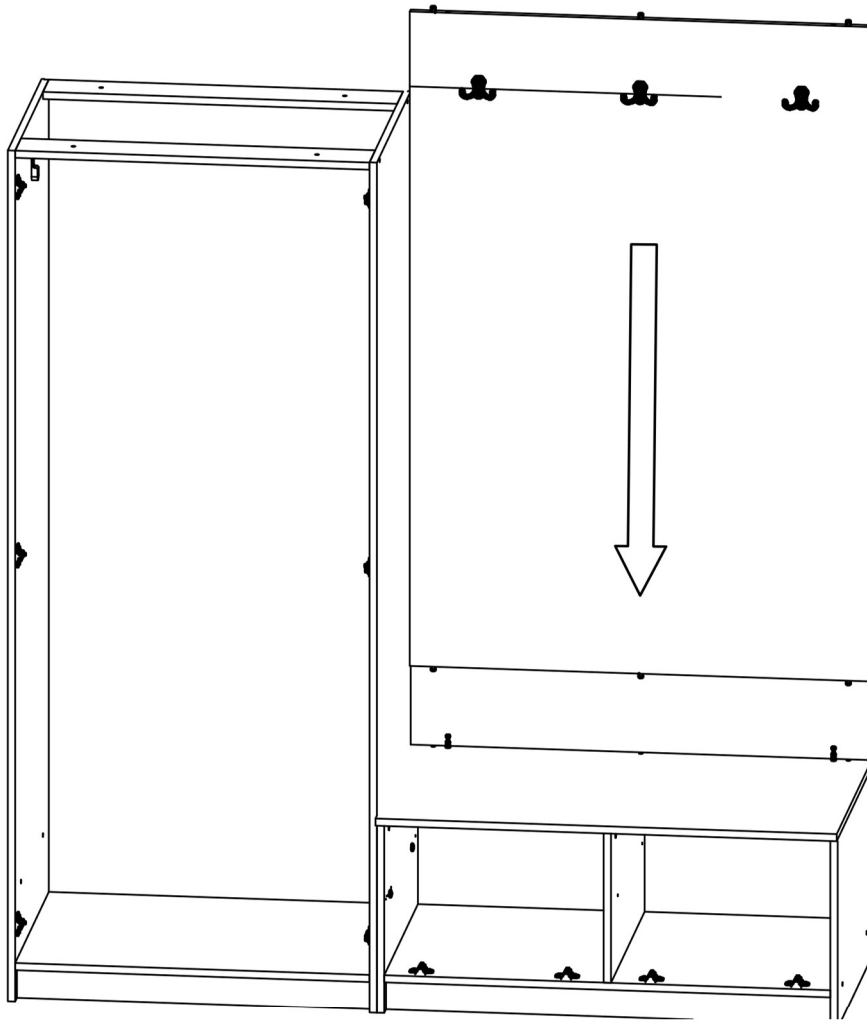
# XXI



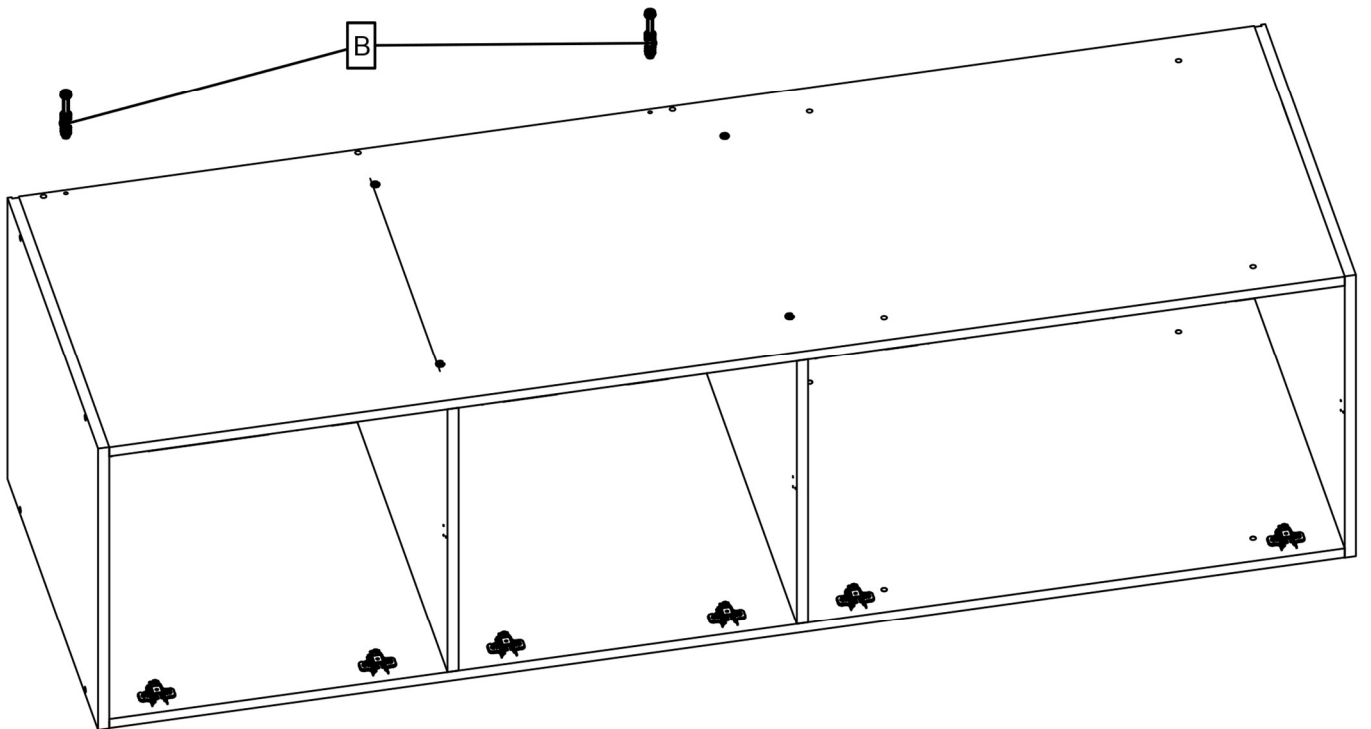
# XXII



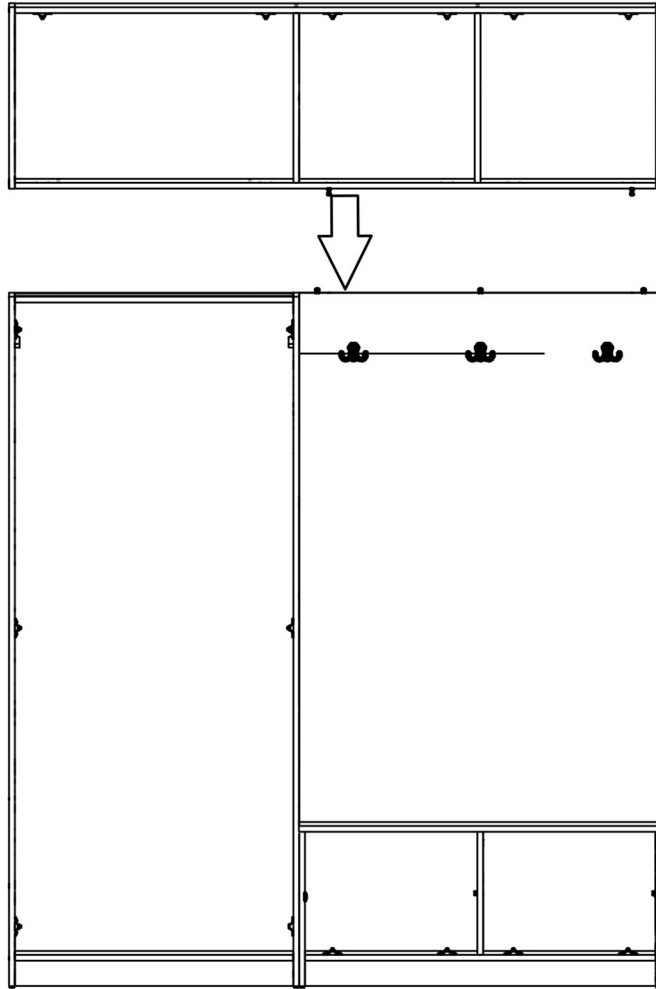
# XXIII



# XXIV

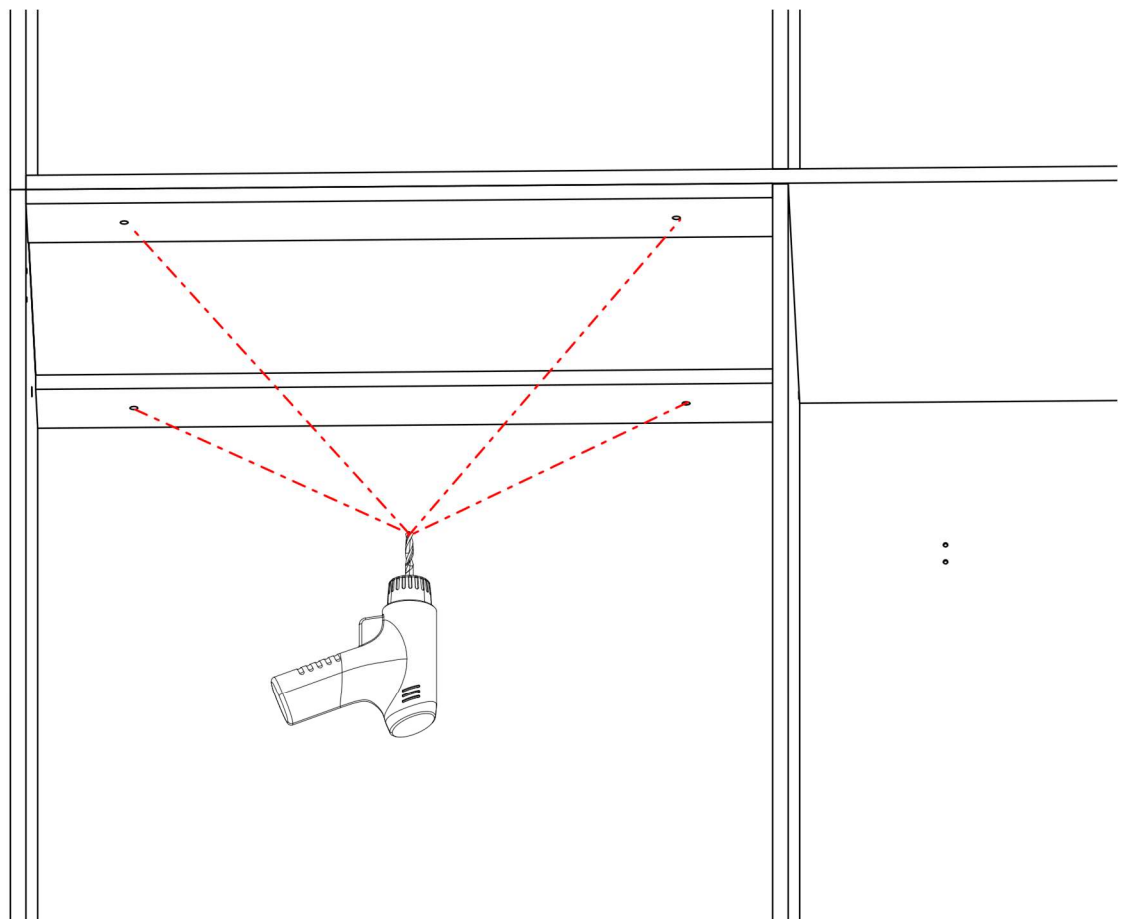


# XXV

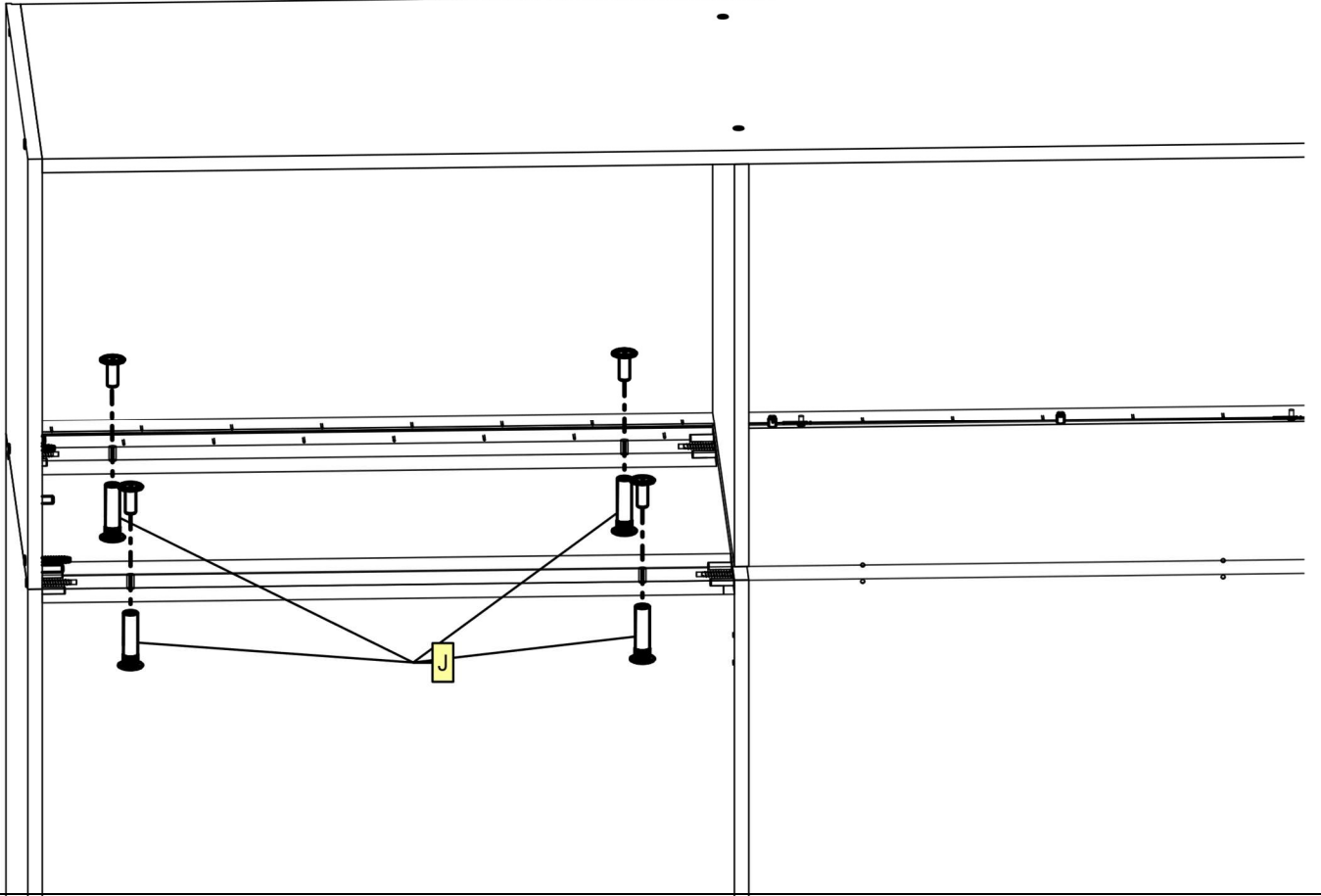


# XXVI

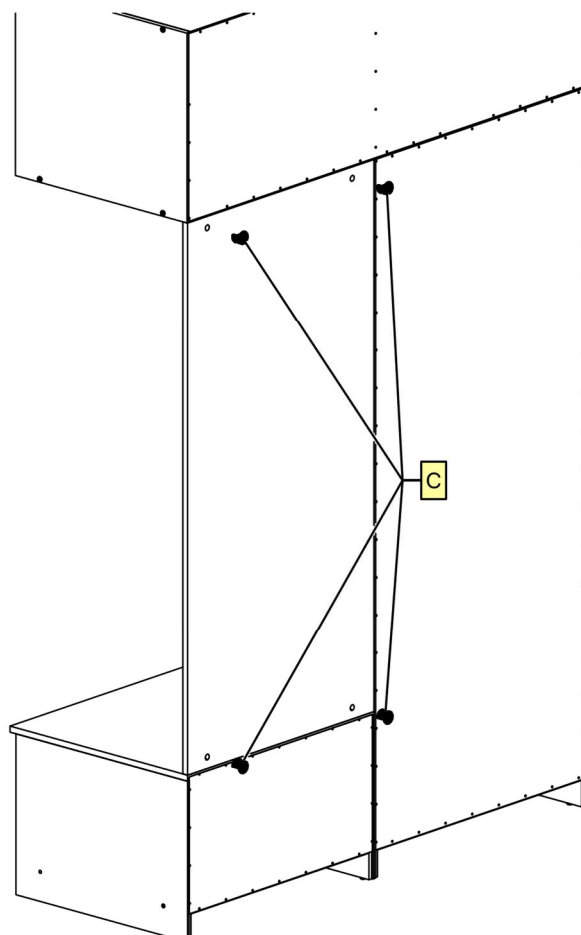
8mm



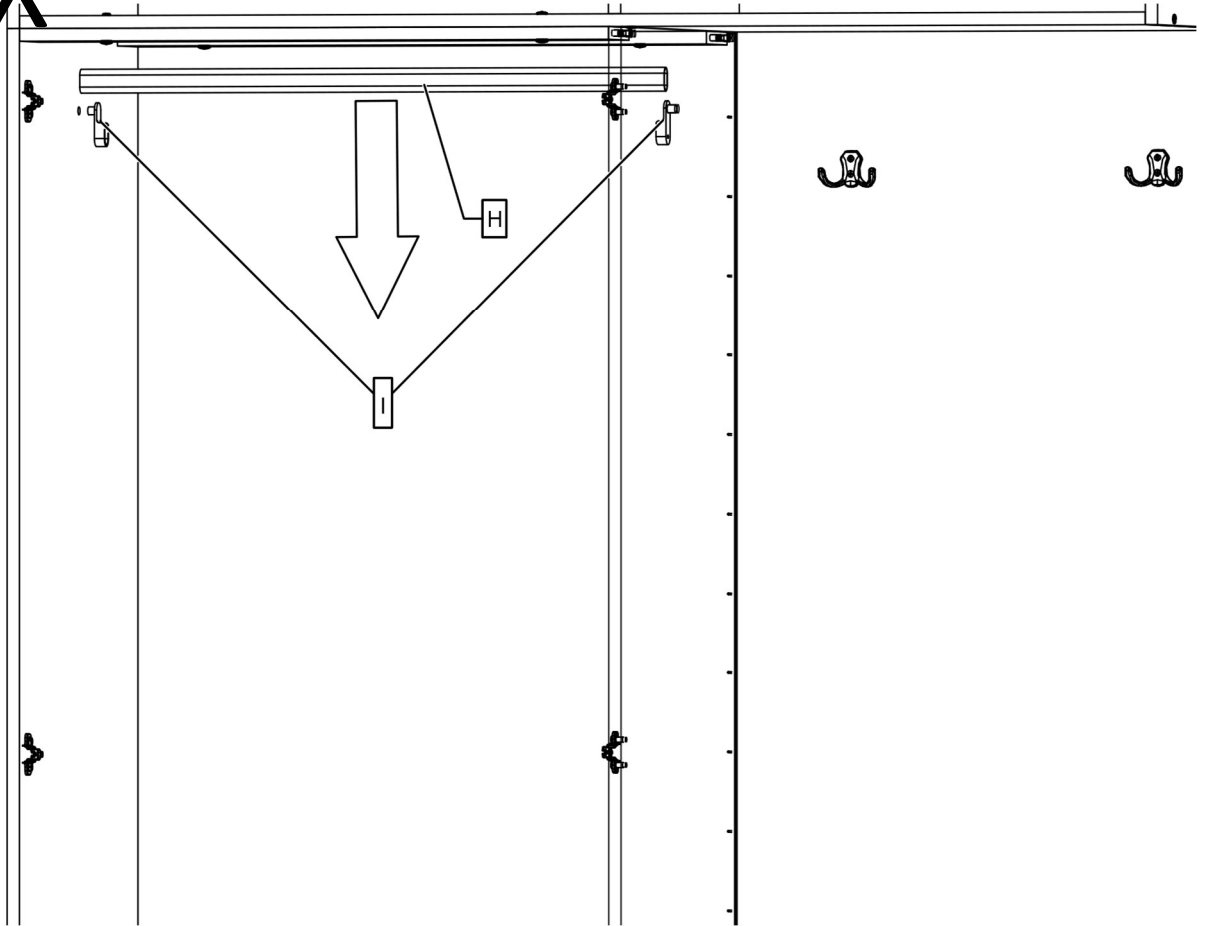
# XXVII



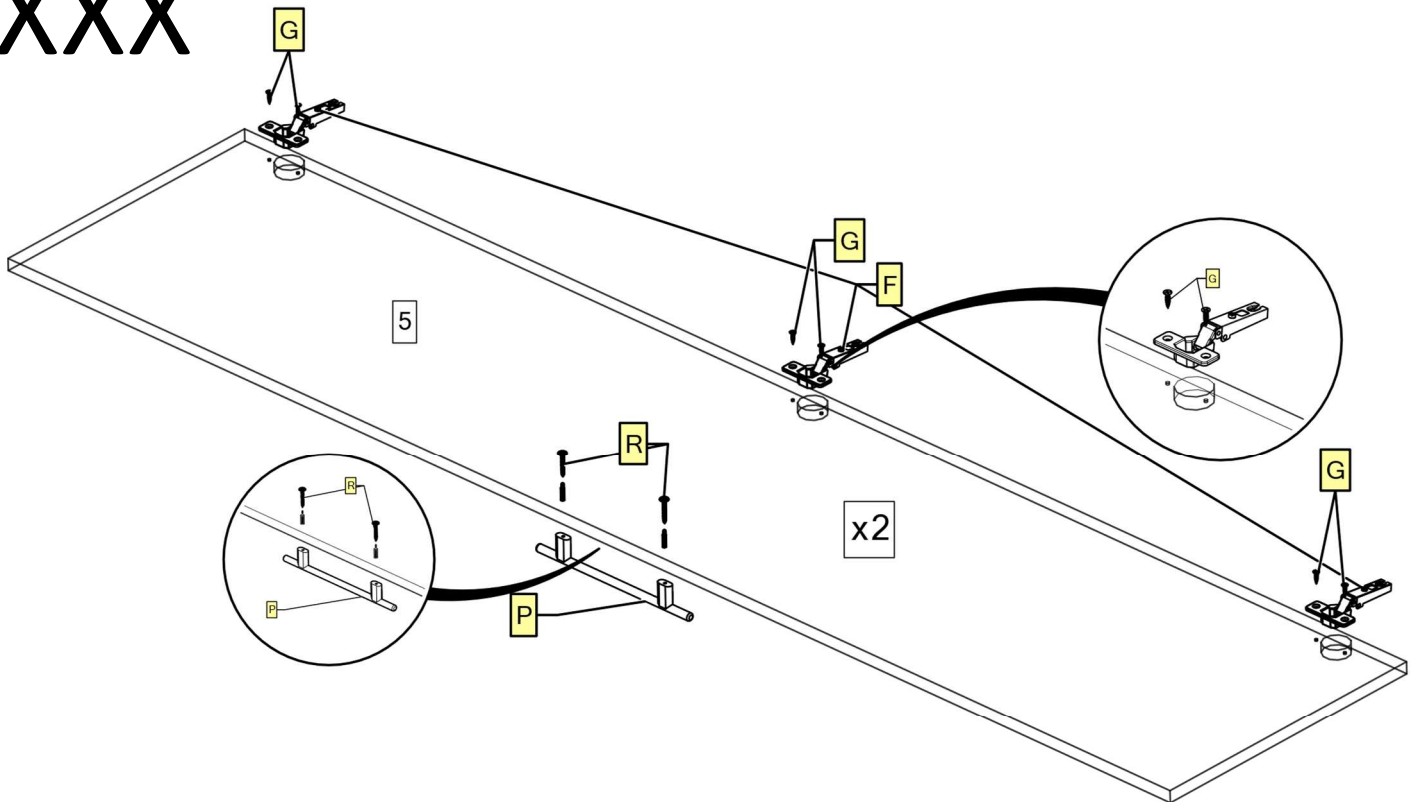
# XXVIII



# XXIX

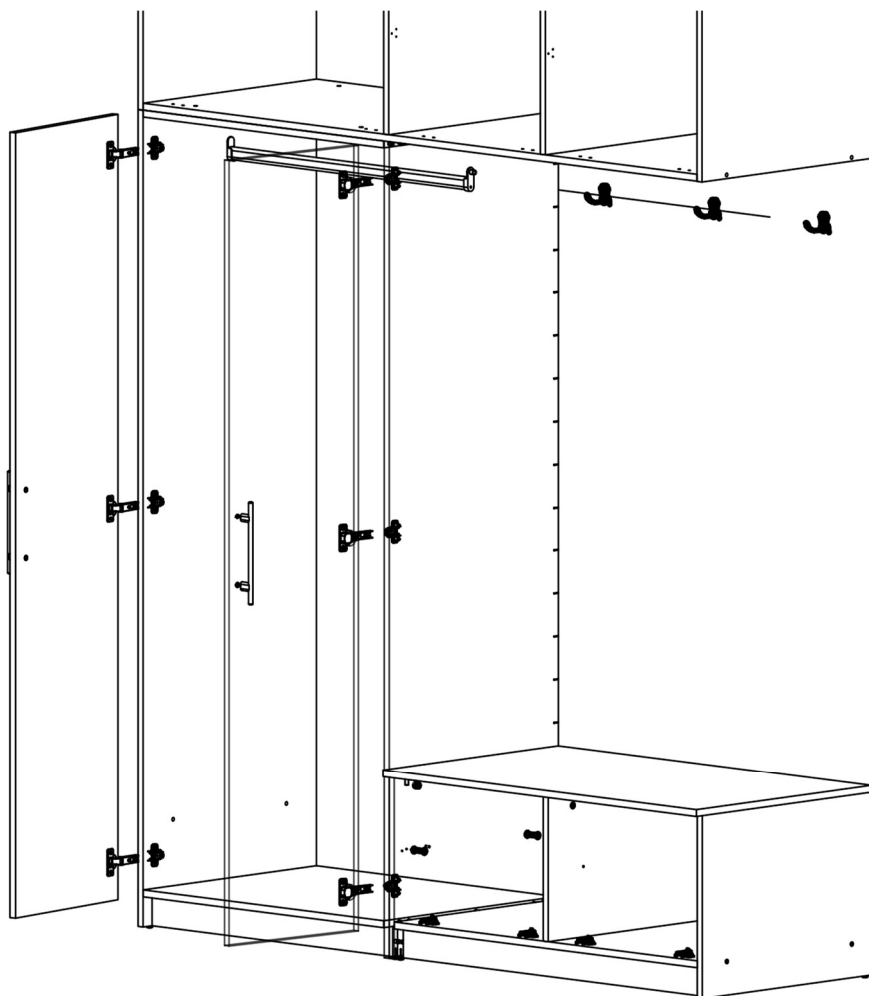


# XXX

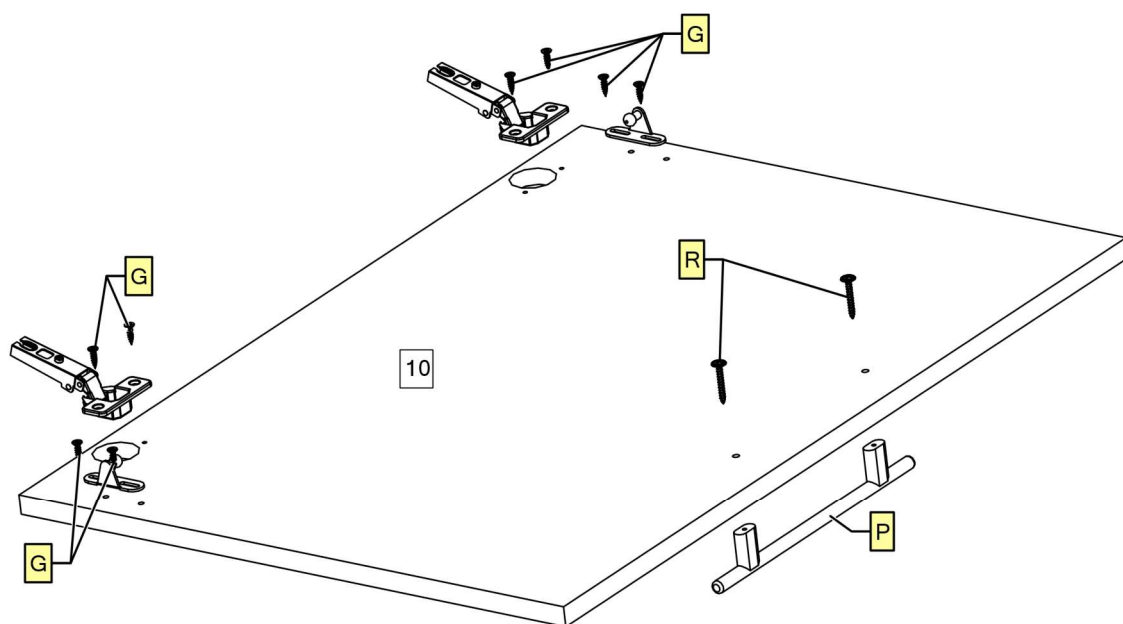




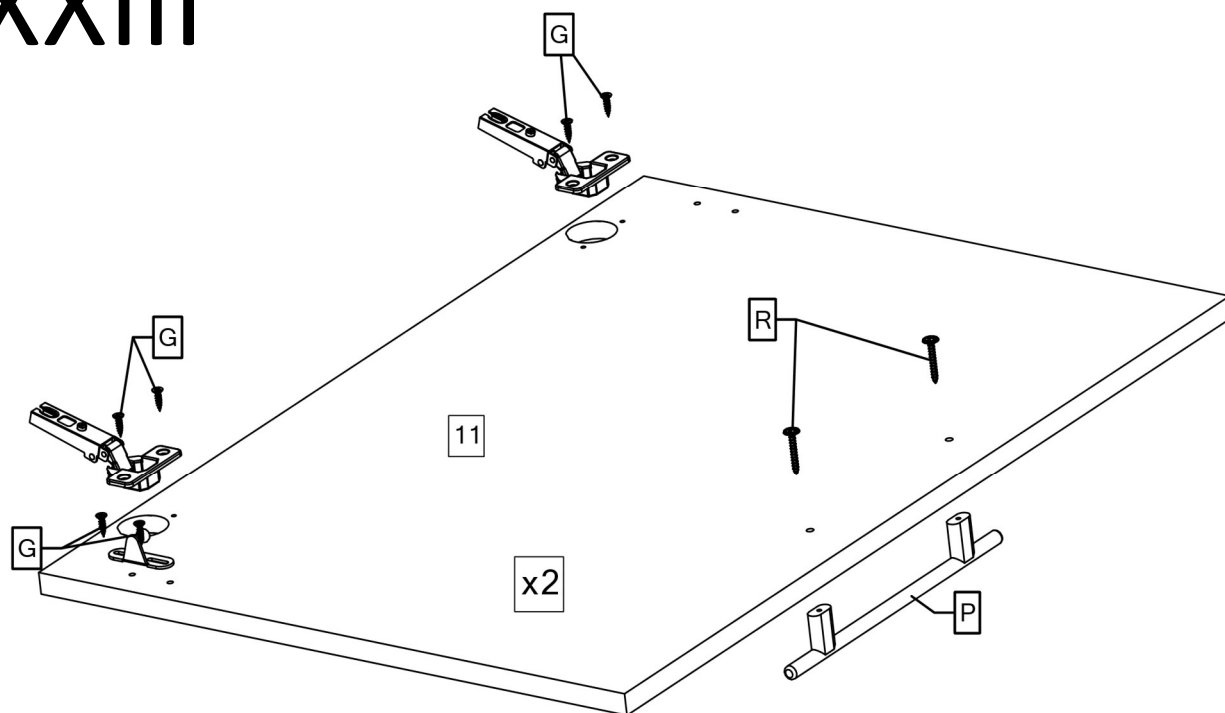
# XXXI



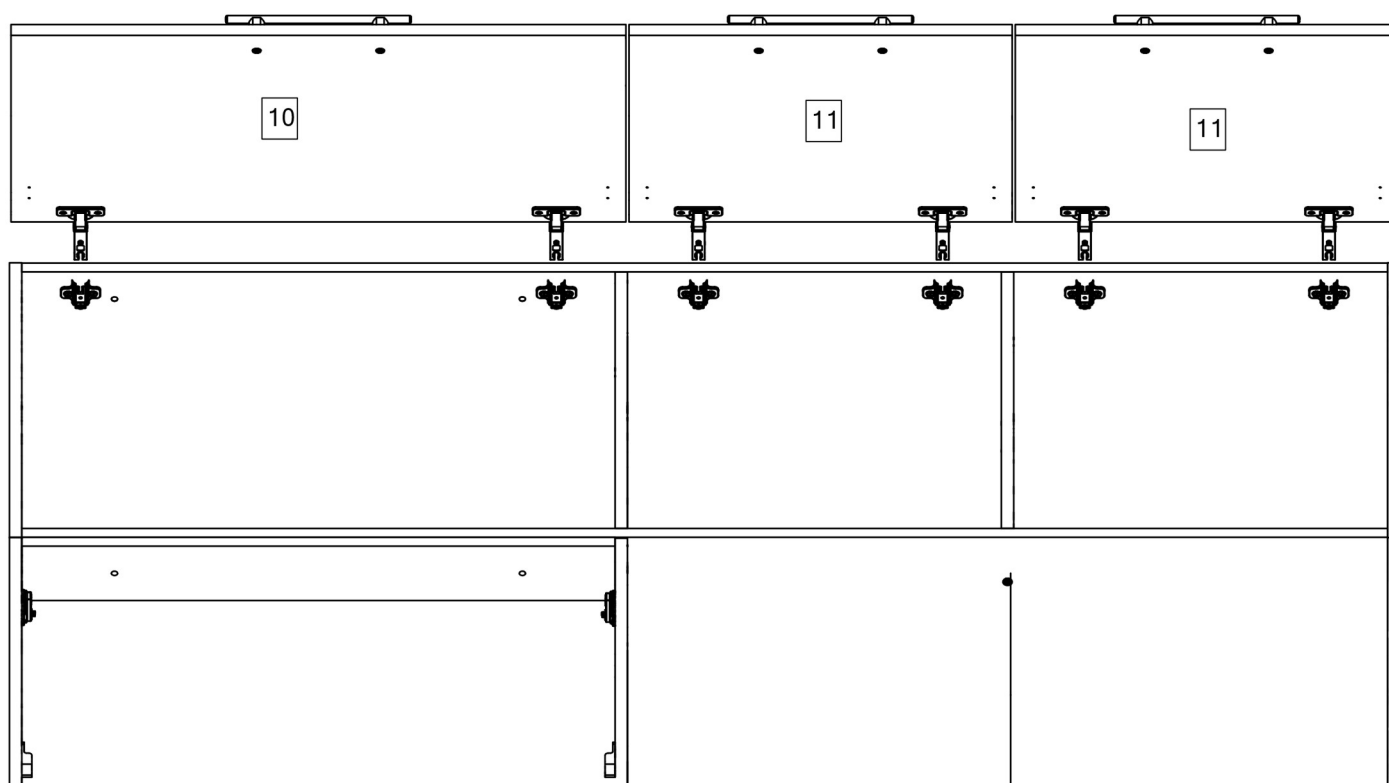
# XXXII



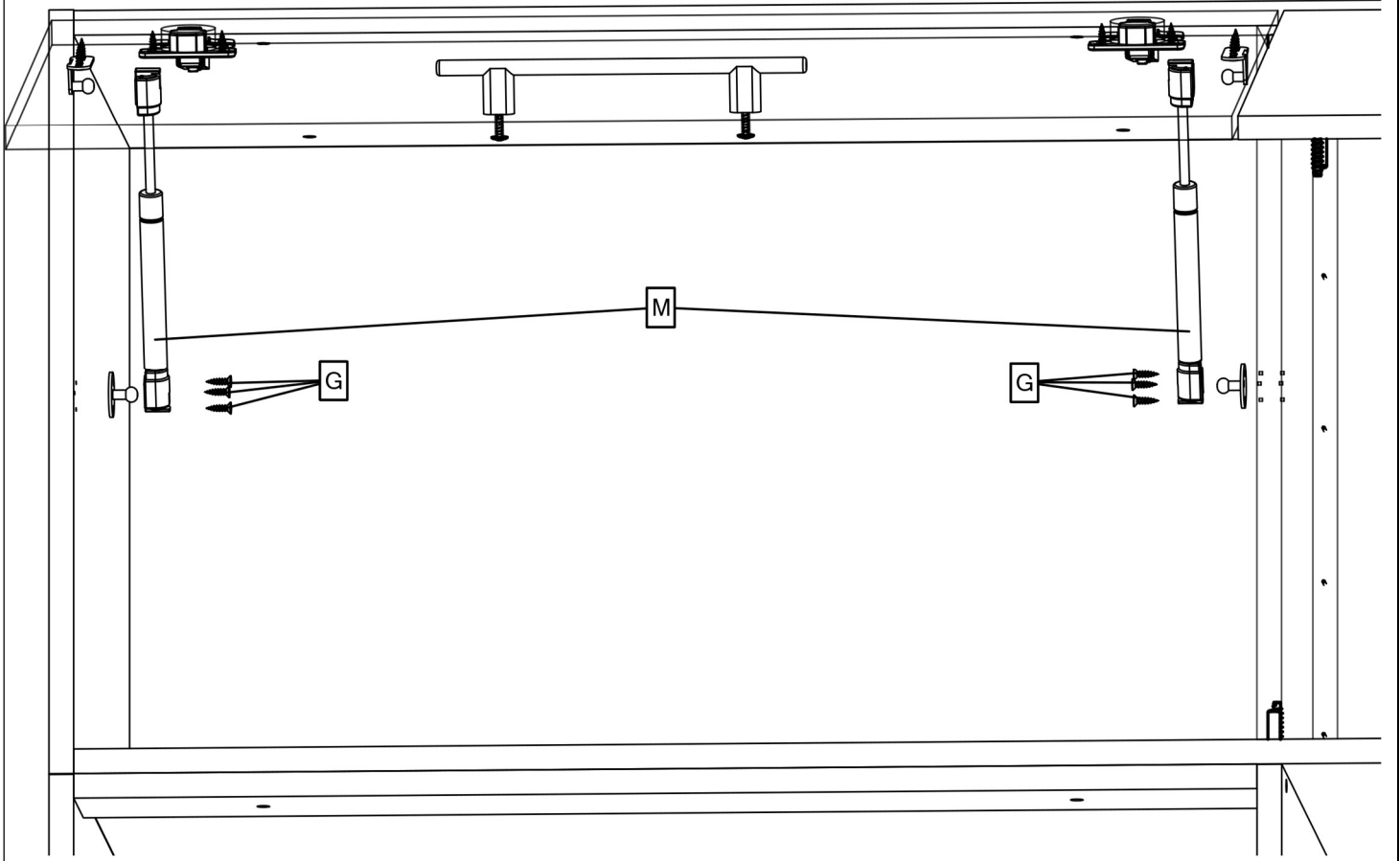
# XXXIII



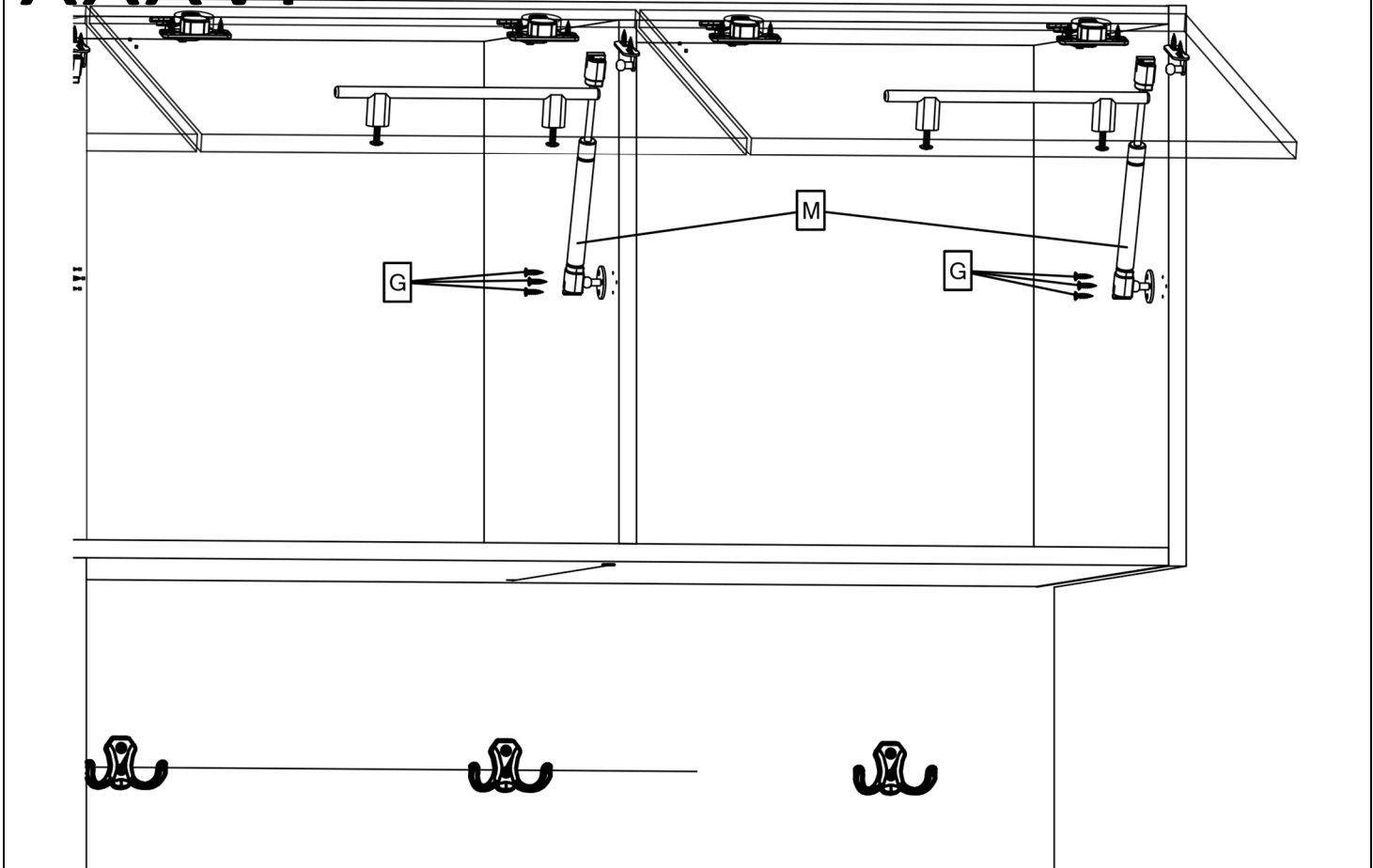
# XXXIV



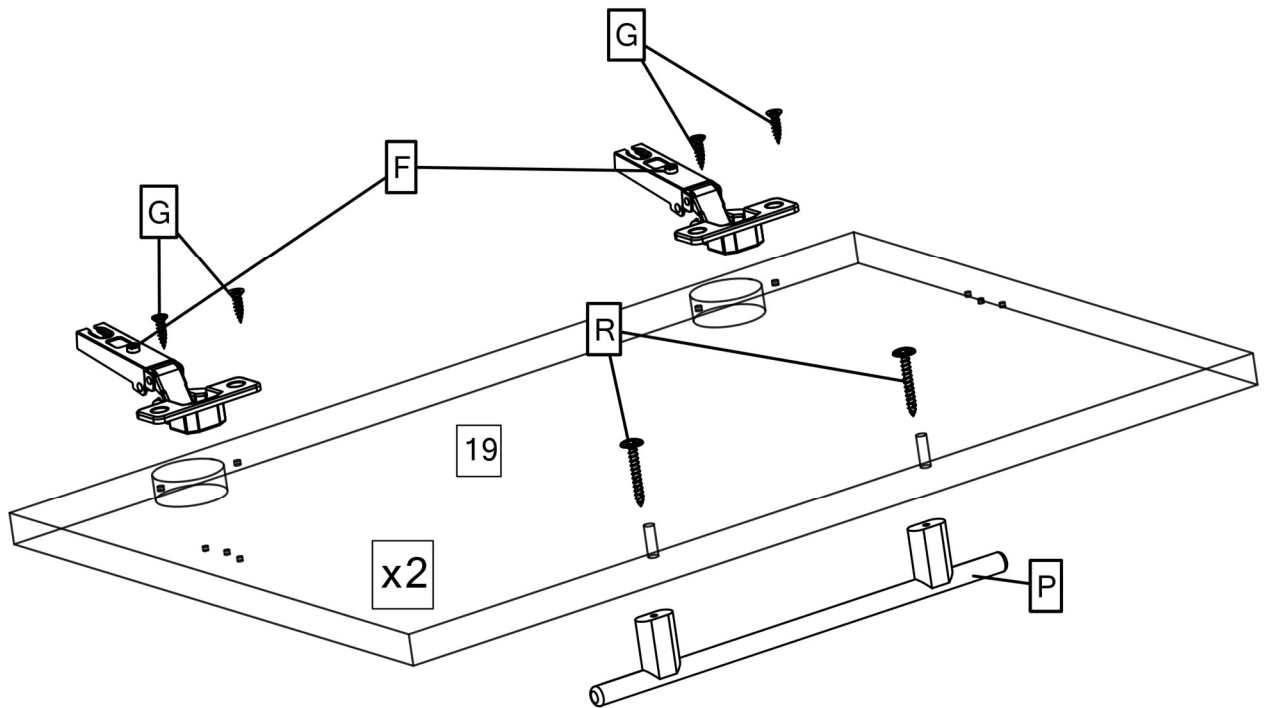
# XXXV



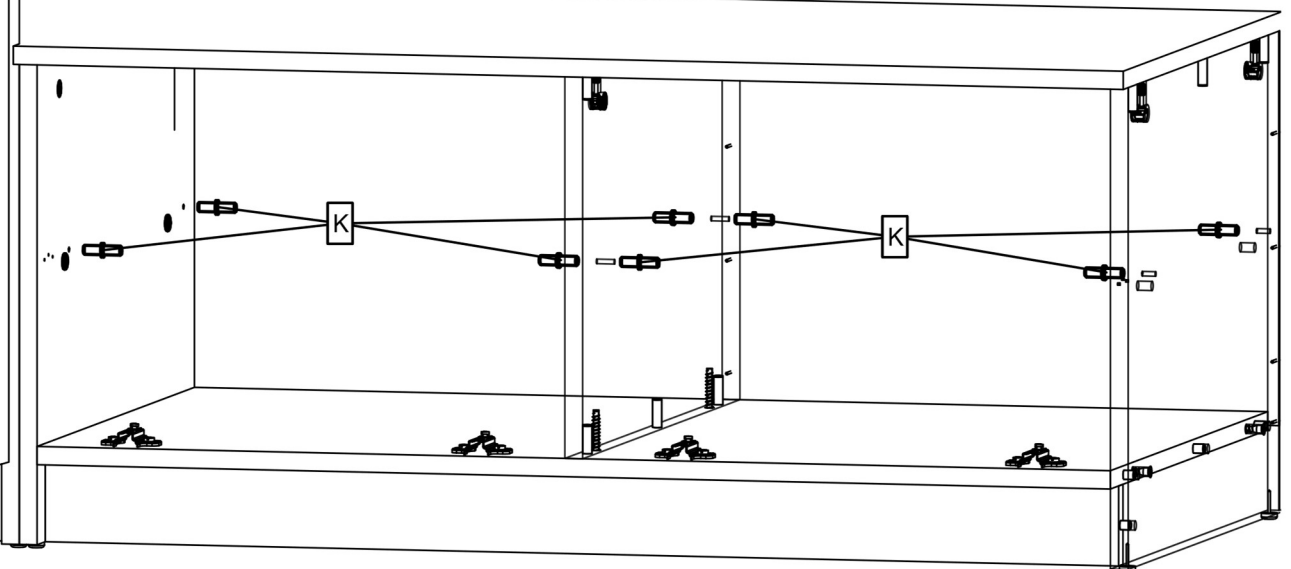
# XXXVI



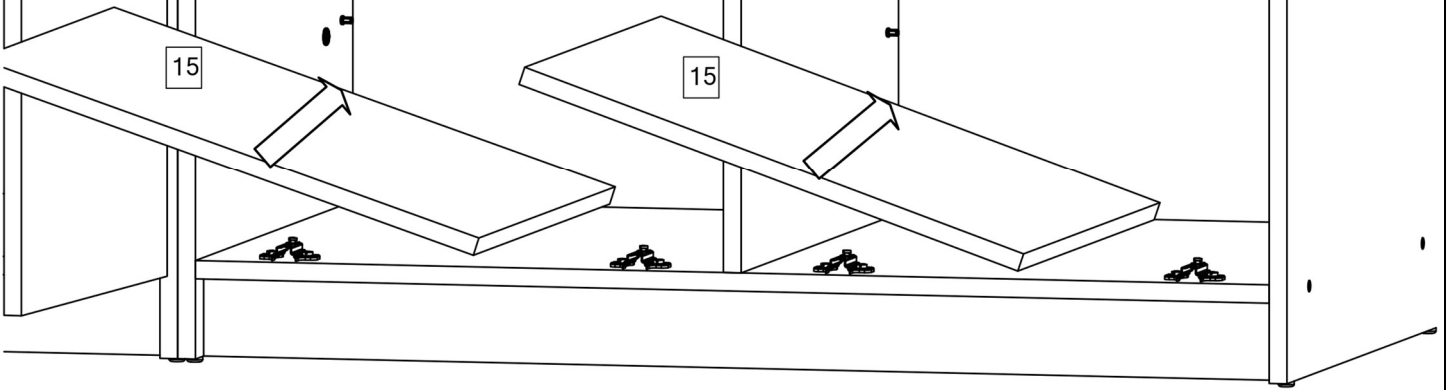
# XXXVII



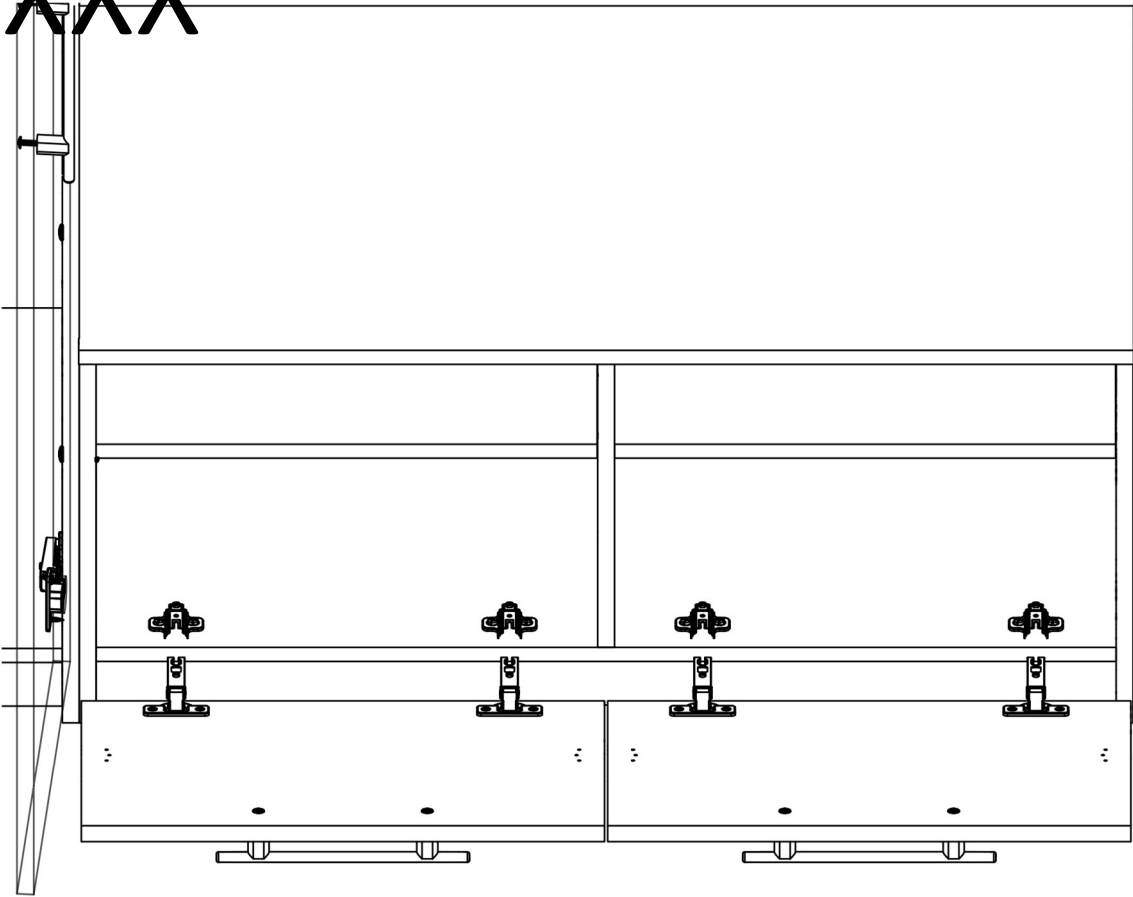
# XXXVIII



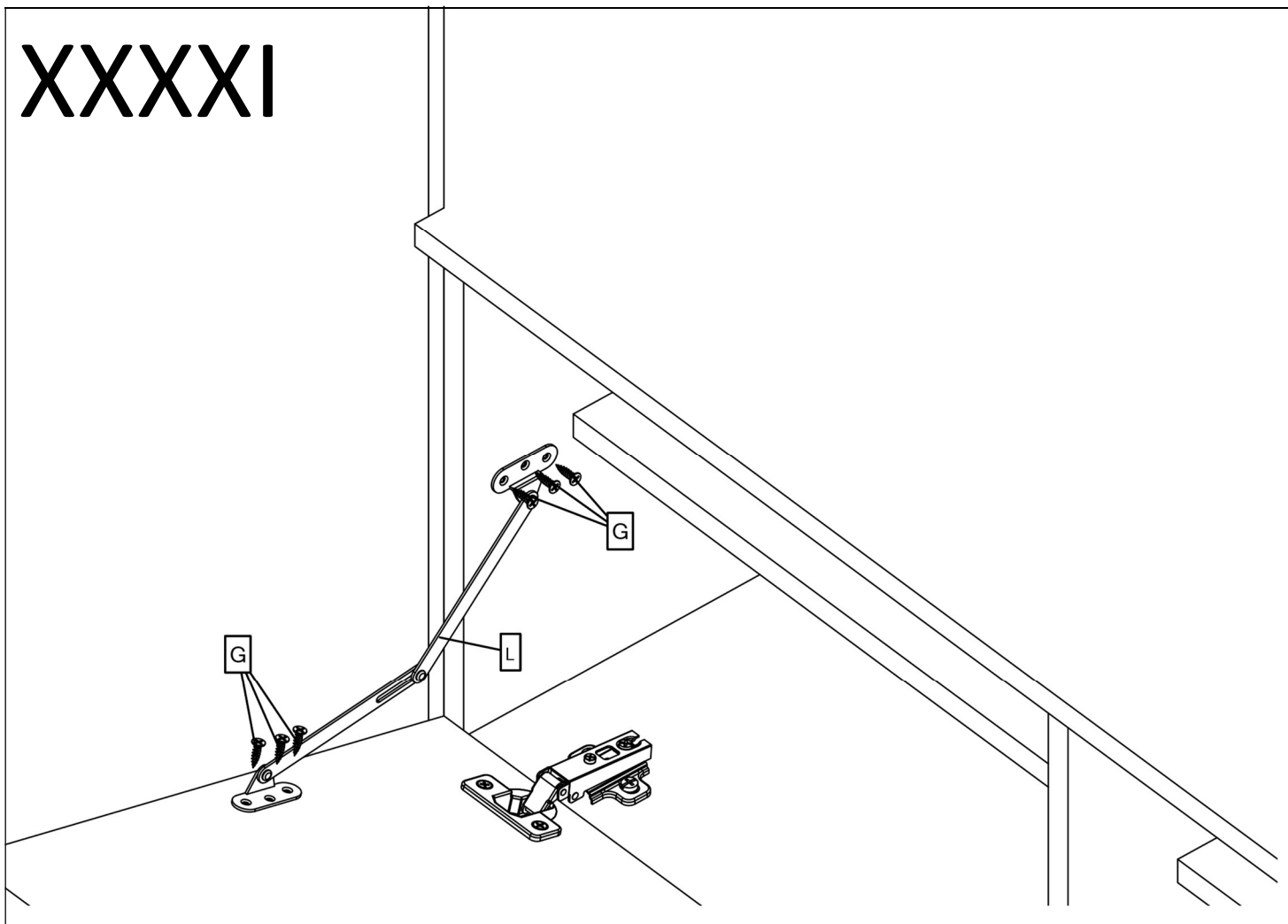
XXXIX



XXXXX



XXXXXI



XXXXXII

