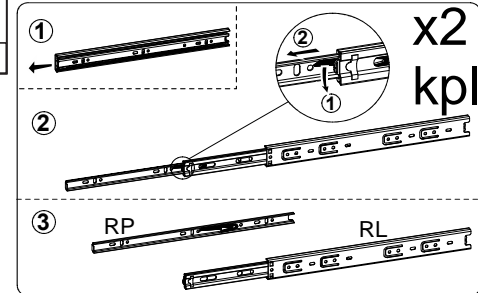



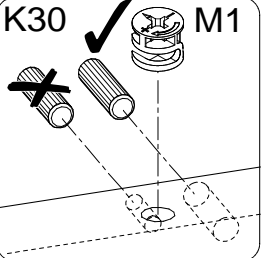
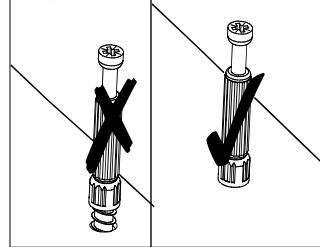
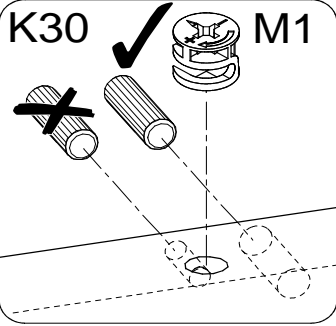
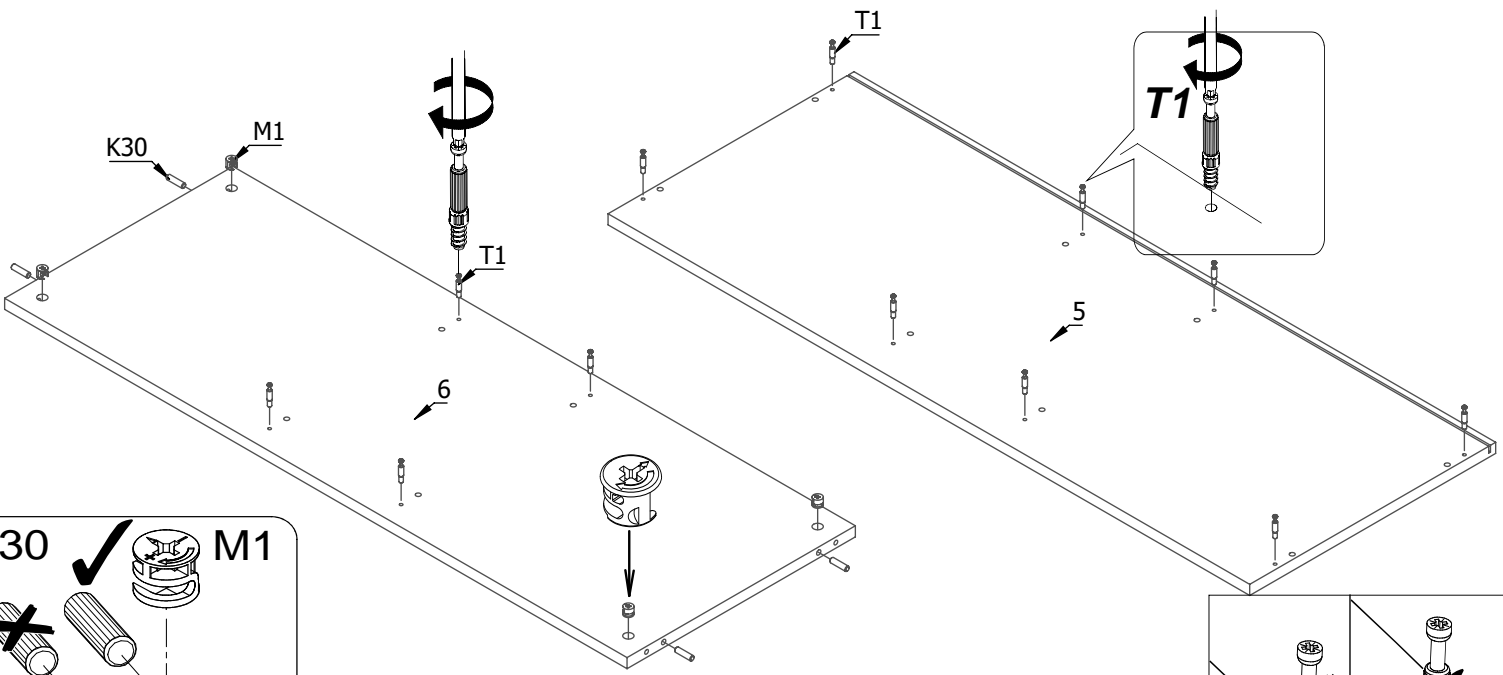


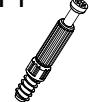



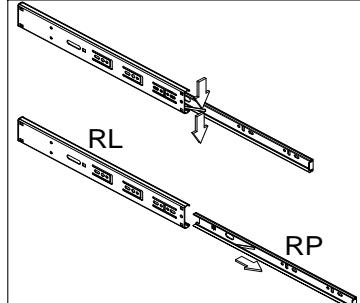
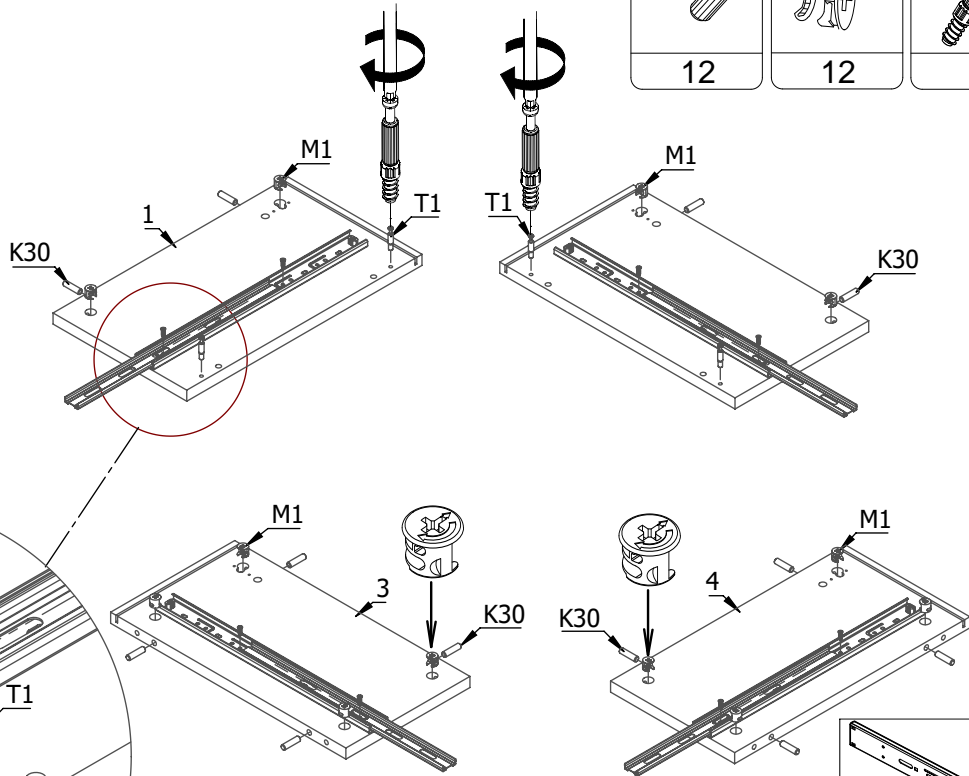
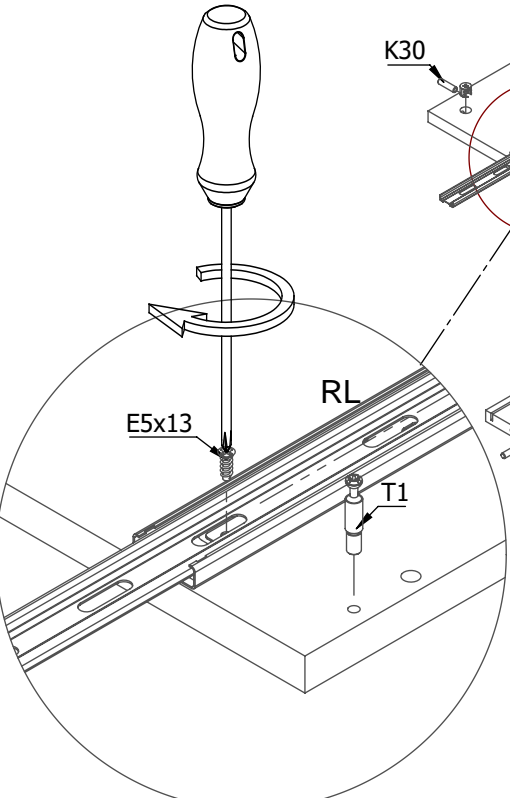
<p>10x80 KR</p> <p>4</p>	<p>KF50</p> <p>4</p>	<p>Q</p> <p>1</p>	<p>X</p> <p>24</p>	<p>E5x13</p> <p>16</p>	<p>STB</p> <p>6</p>	<p>x1</p> <p>4</p>
<p>K30</p> <p>20</p>	<p>T1</p> <p>24</p>	<p>M1</p> <p>24</p>	<p>CAM</p> <p>4</p>	<p>ZA</p> <p>4</p>	<p>GW</p> <p>12</p>	










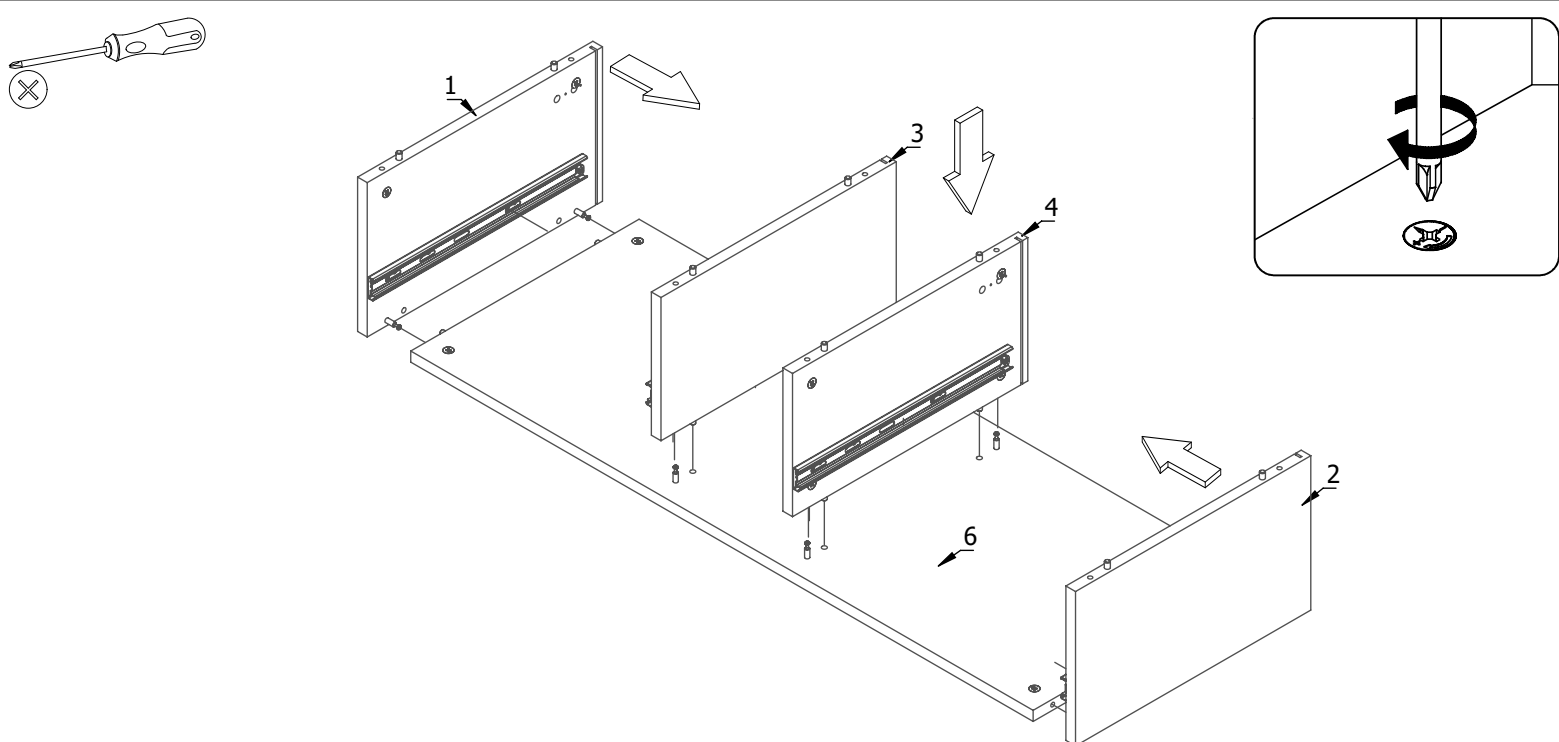
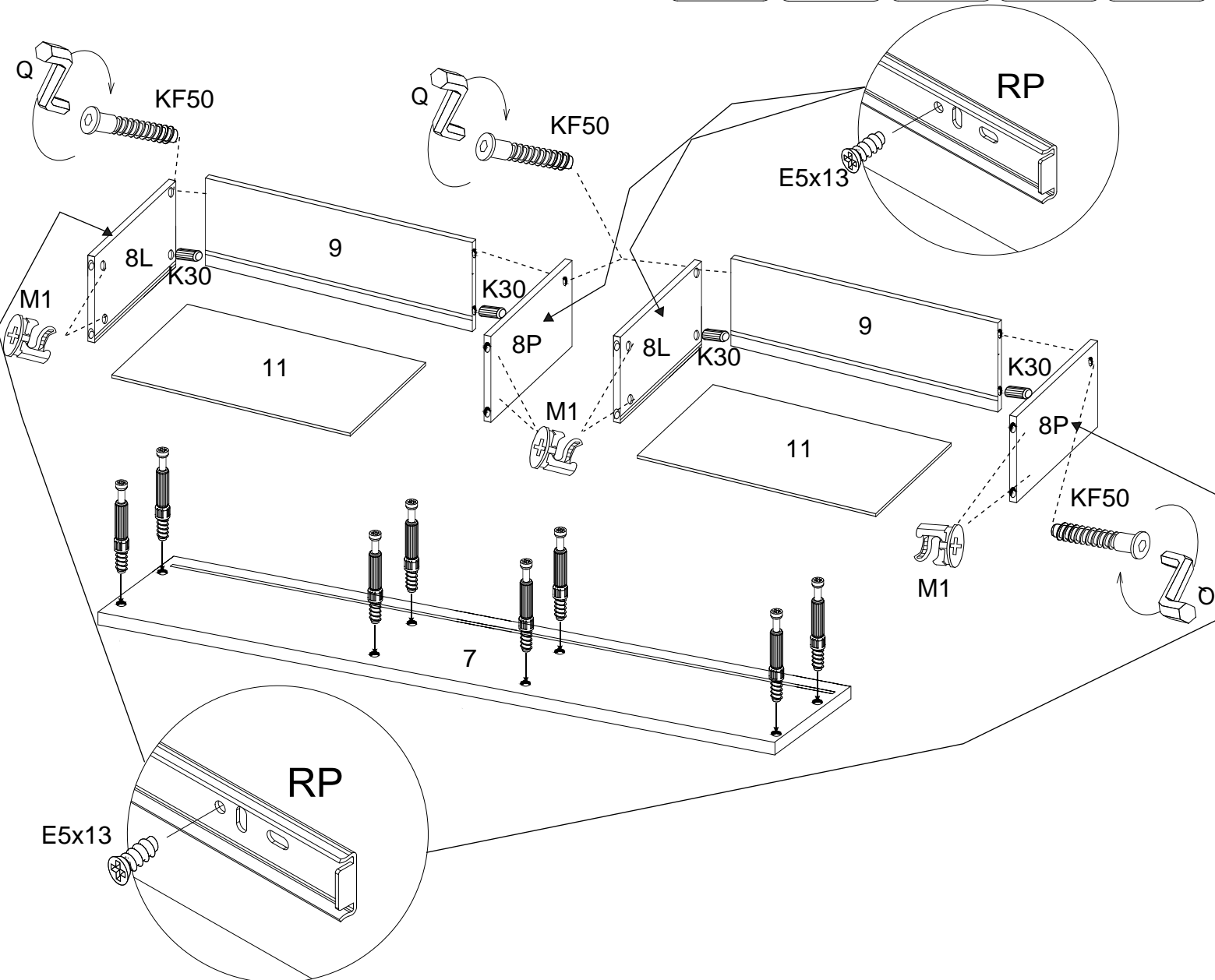
K30	M1	T1
		
4	4	12

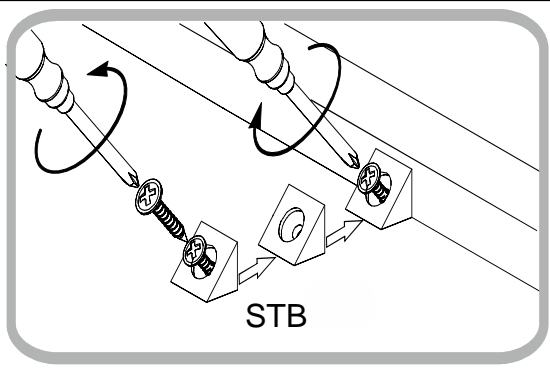
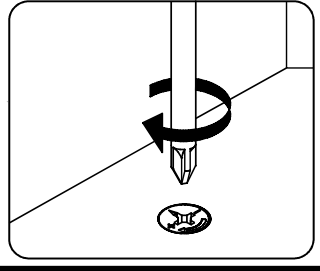
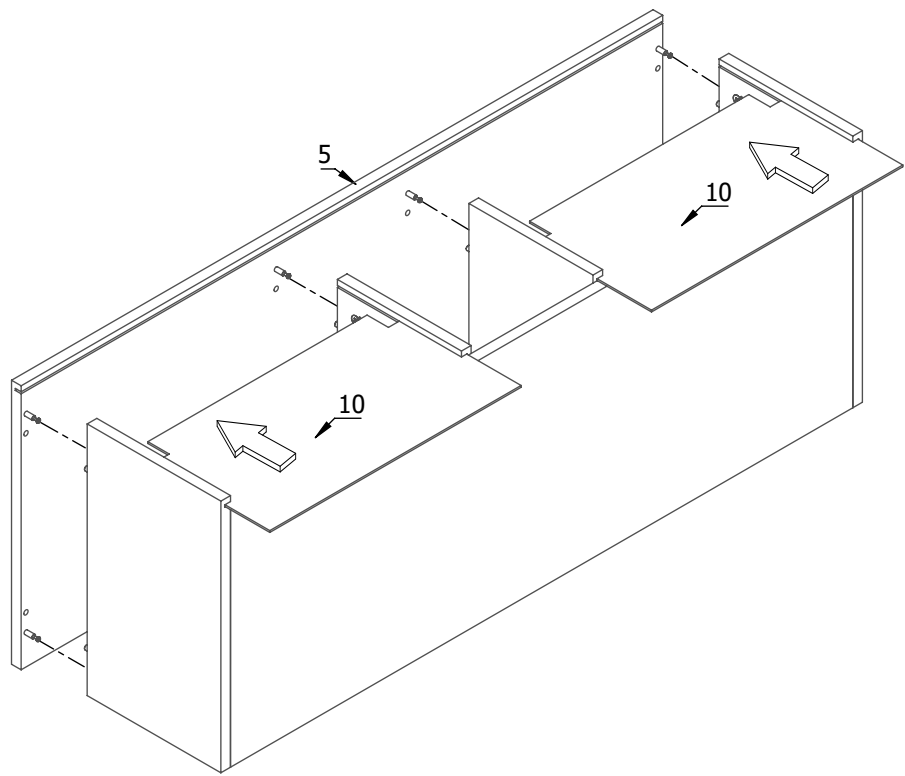
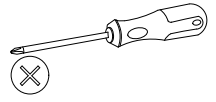


K30	M1	T1	E5x13
			
12	12	4	8

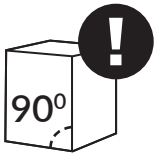
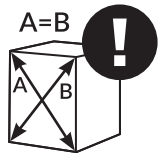
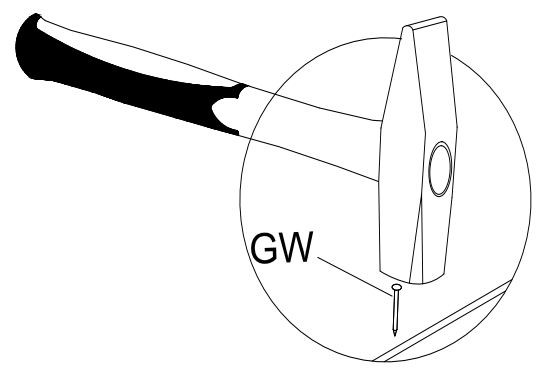
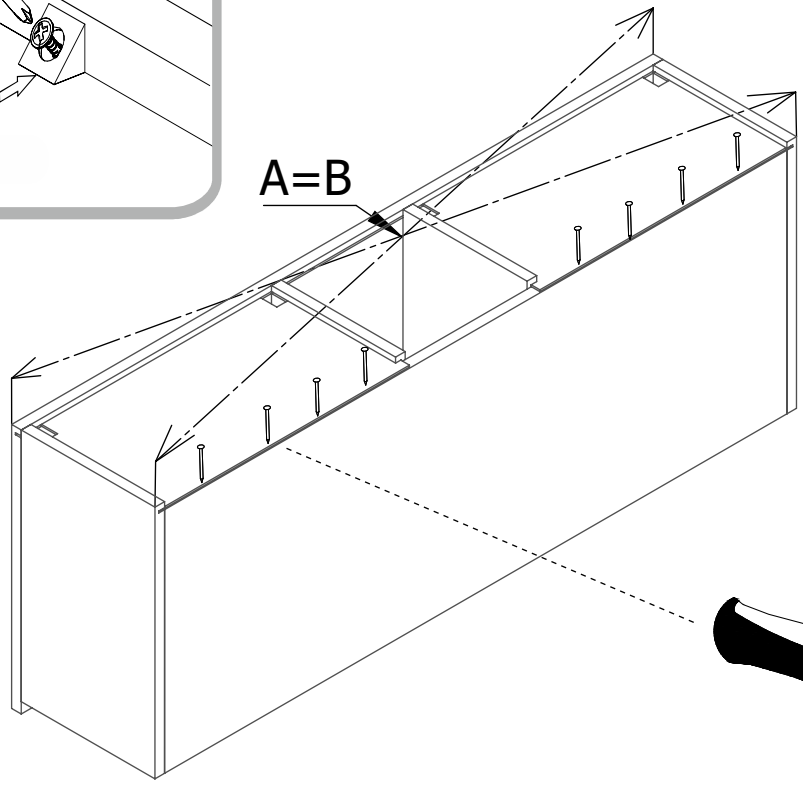



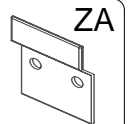

K30  4	M1  8	T1  8	E5x13  8	RP  4	Q  1	KF50  4
--	---	---	--	---	--	---

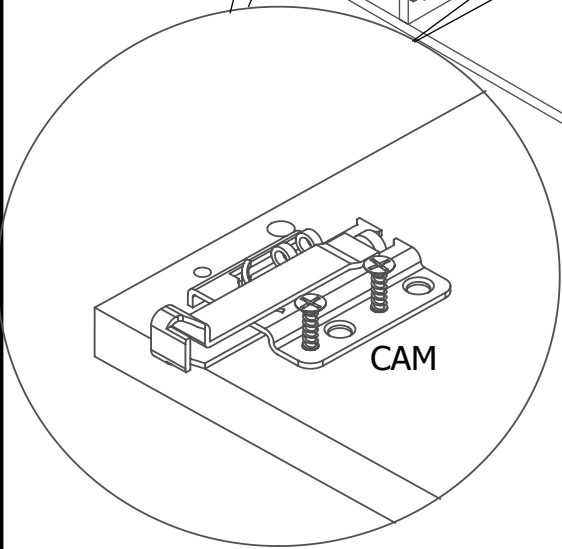
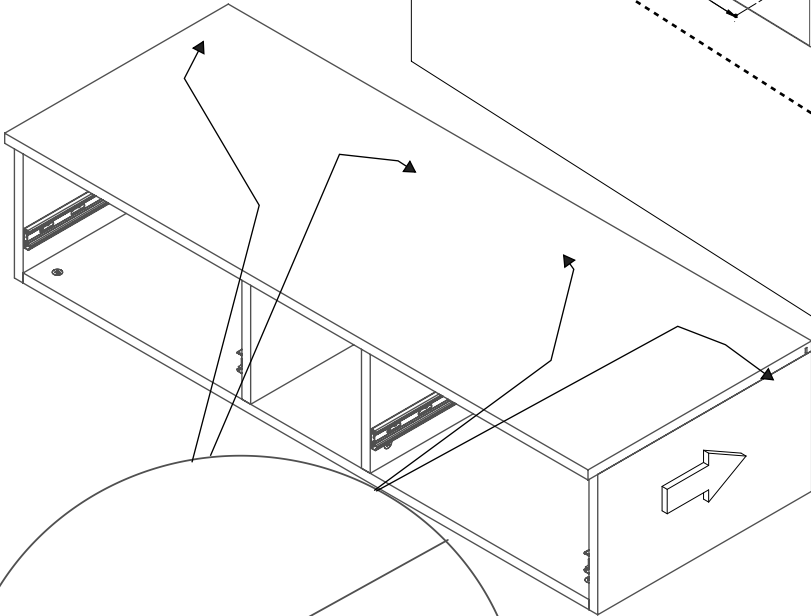
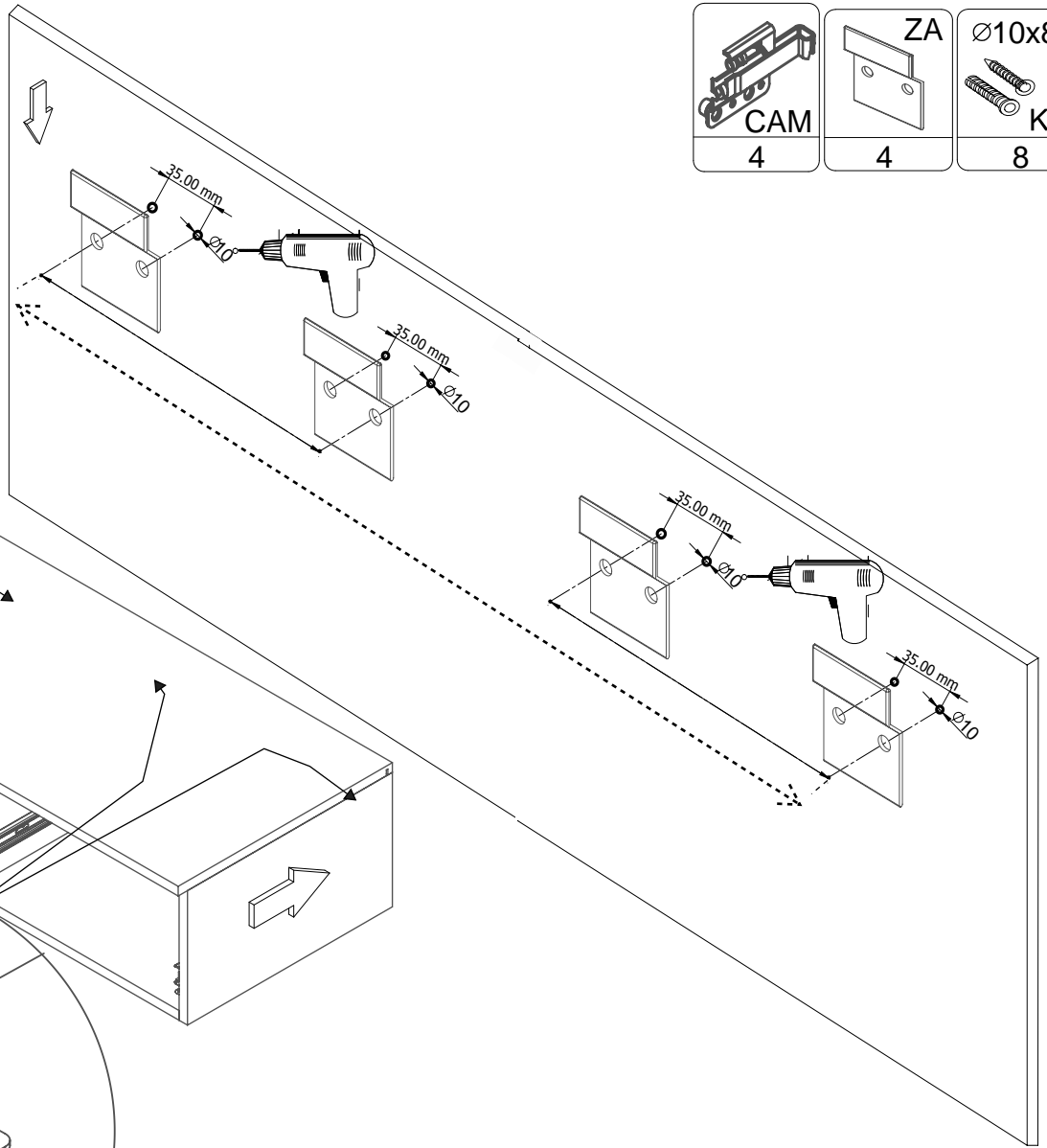





GW		
12		6



 CAM 4	 ZA 4	 Ø10x80 KR 8
--	---	---



 x
24

