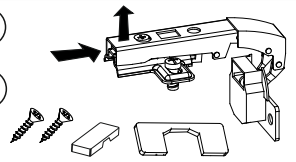
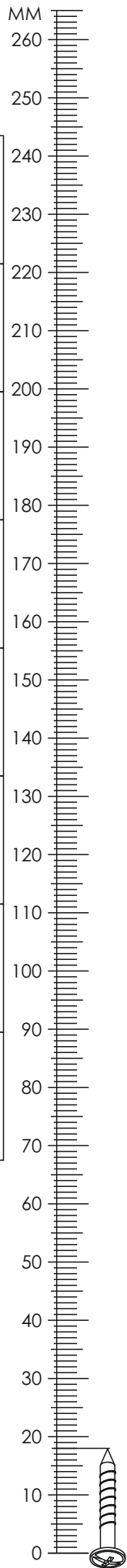
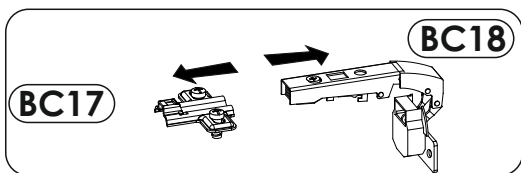
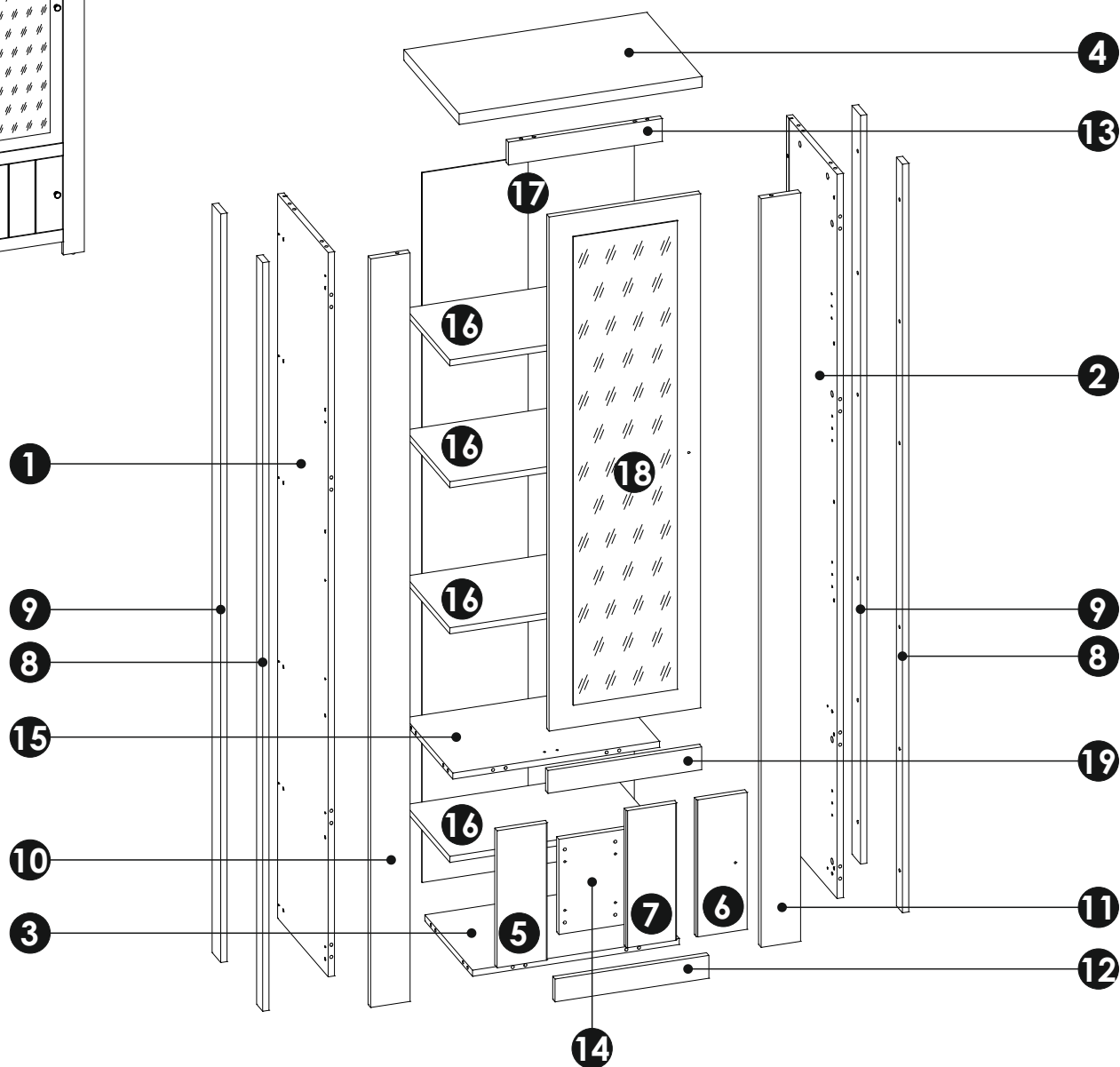
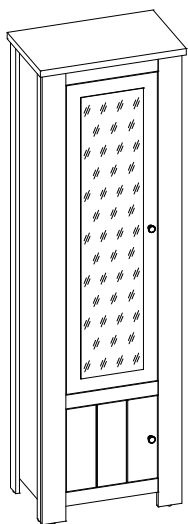


A0	8 x 20 mm	x30	A1	8 x 35 mm	x28	BC17 + BC18		x5
C2	5 x 13 mm	x10	D2		x16	E0	Ø16	x18
E1	15 x 12 mm	x26	F1	6 x 34 mm	x26	H1		x2
I0	3 x 13 mm	x2	I2	4 x 16 mm	x1	K7	4 x 22 mm	x2
N0	3 x 13 mm	x1	N1	3 x 16 mm	x10	N5	3,5 x 16 mm	x4
N13	4 x 25 mm	x30	O2		x6	P16		x18
Q8		x2	Q9		x1	R4		x11
R5		x1	R9		x2	S13		x1
Z		x1						Ø8

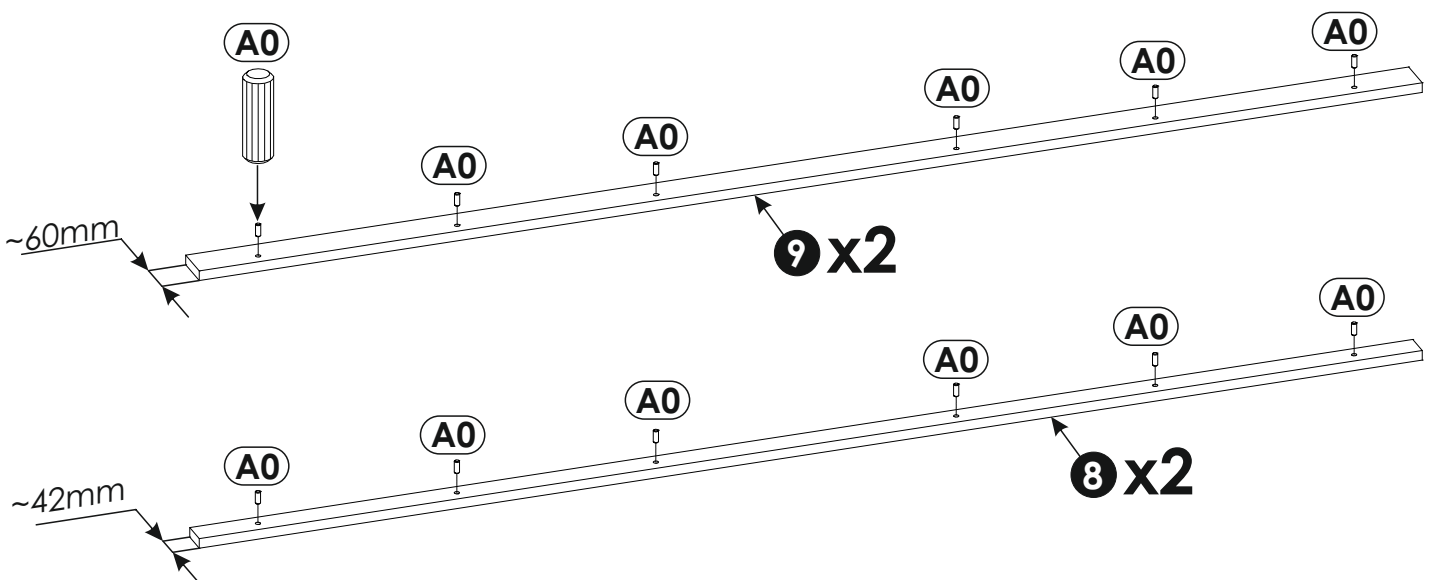
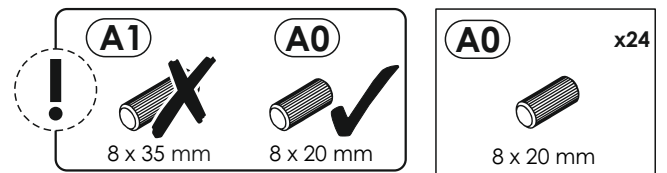
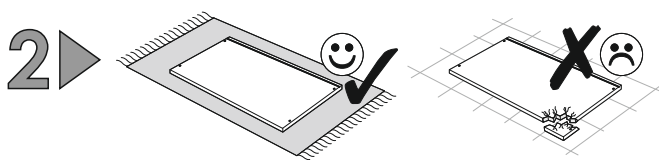
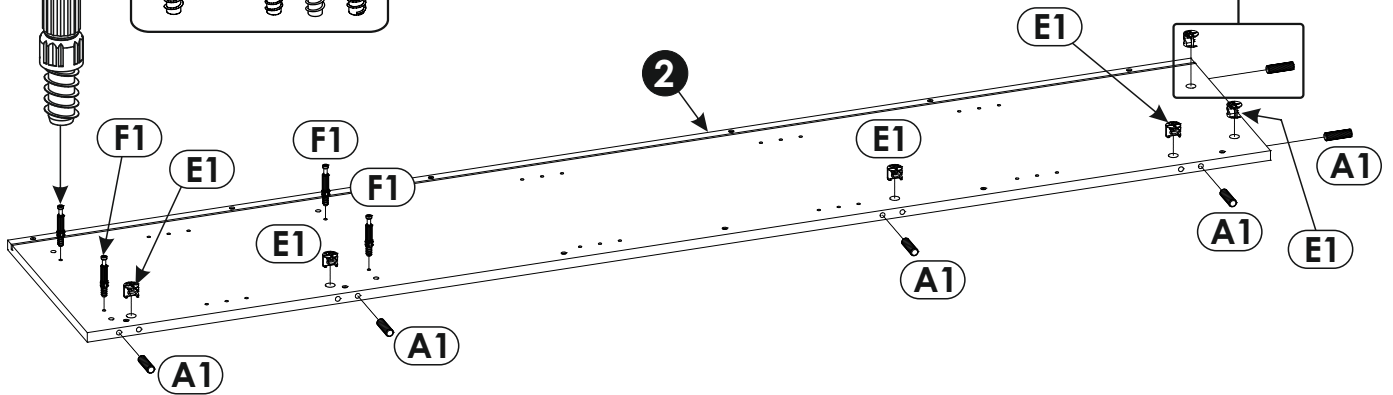
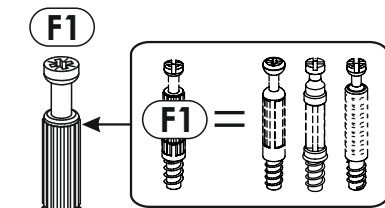
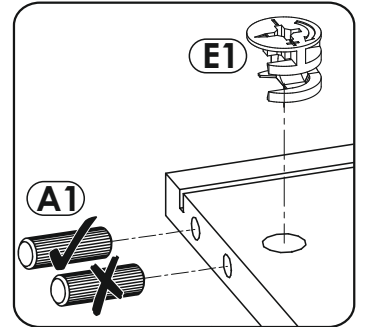
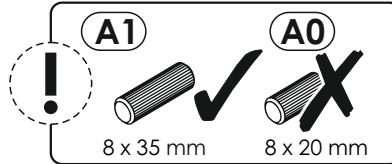
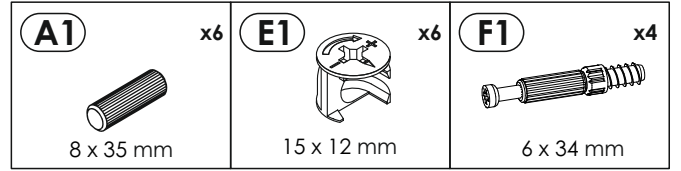
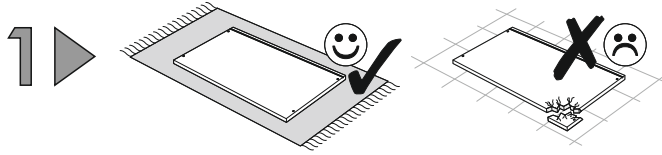
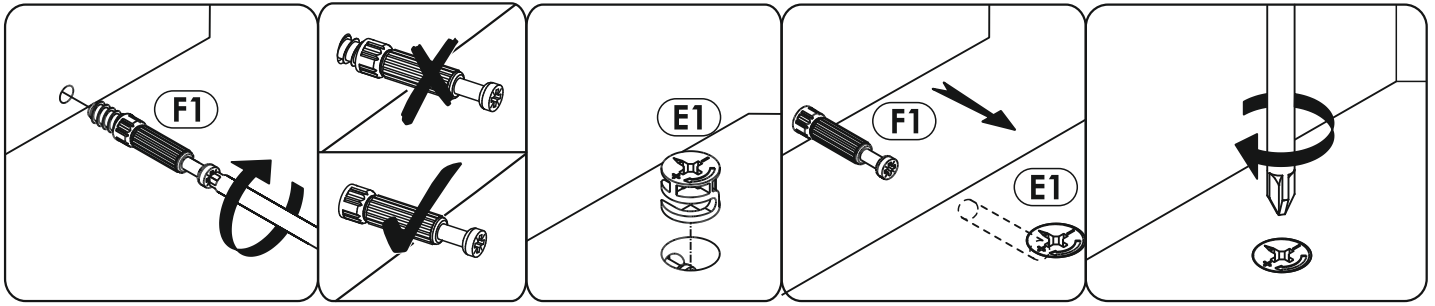


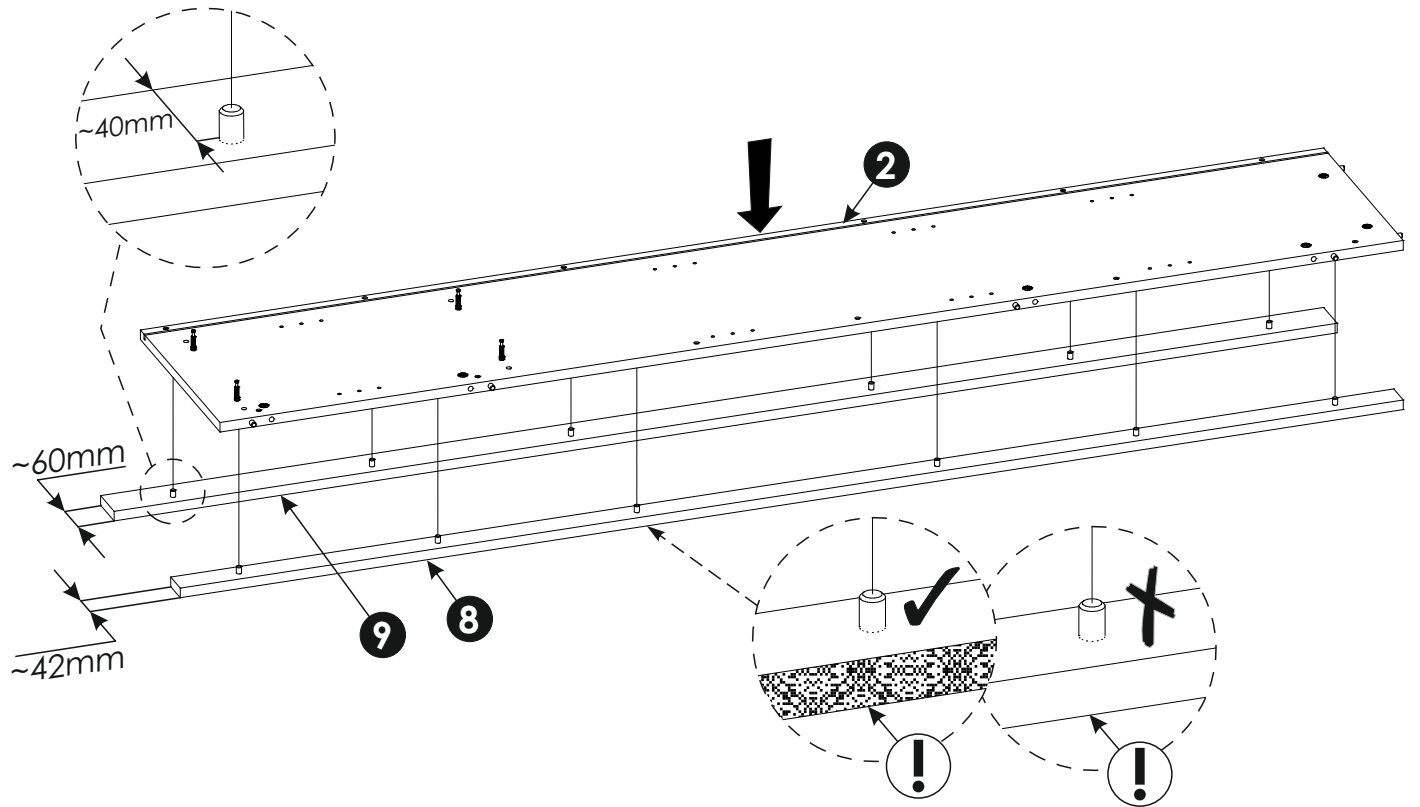
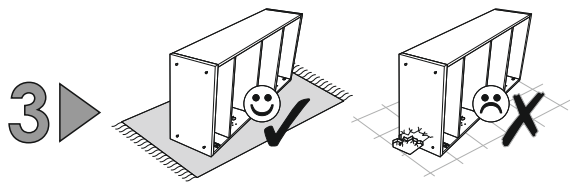


1	1903	352	16	x1	2/2
2	1903	352	16	x1	2/2
3	524	332	16	x1	1/2
4	616	385	28	x1	1/2
5	360	128	16	x1	2/2
6	360	128	16	x1	2/2

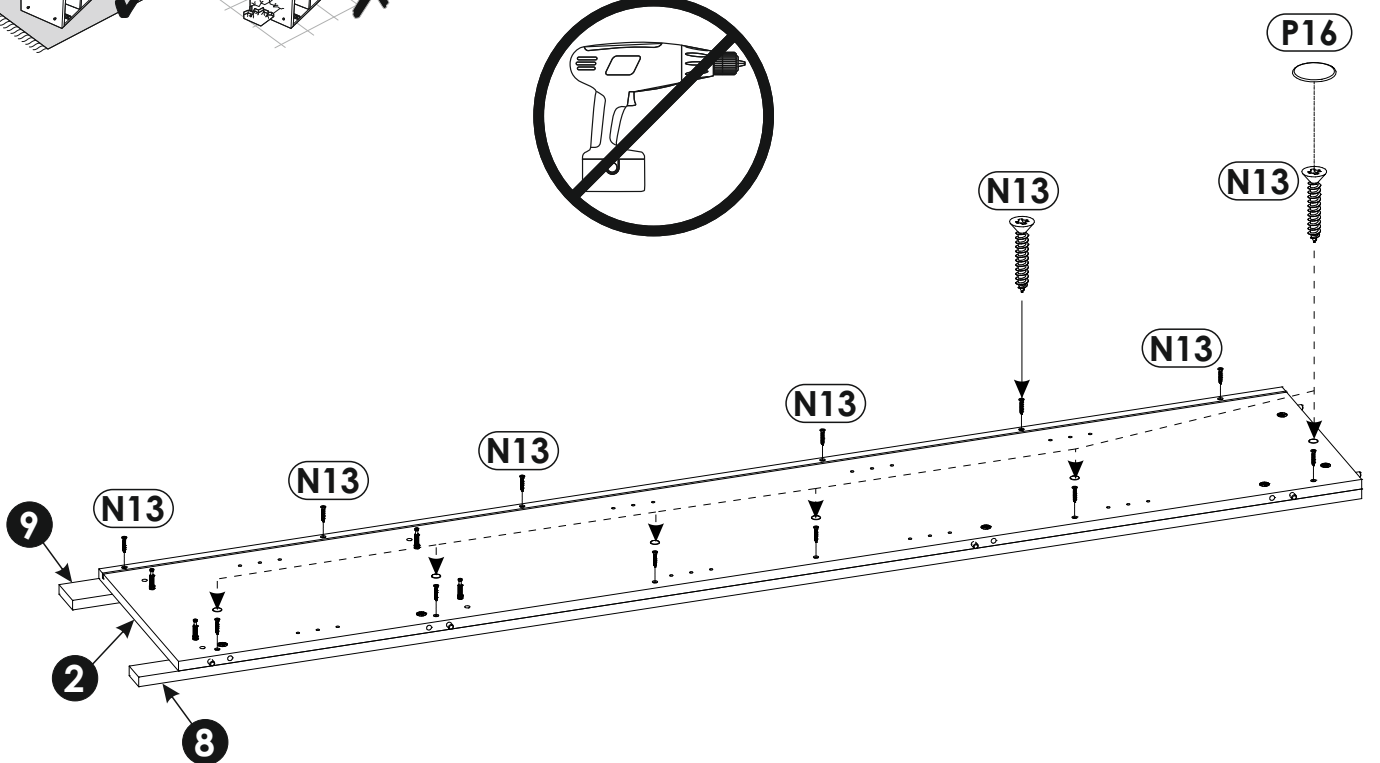
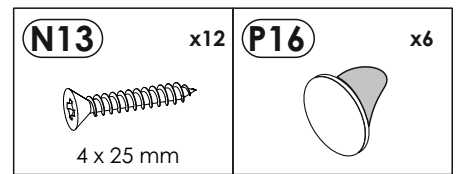
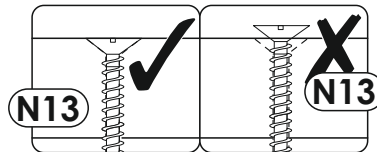
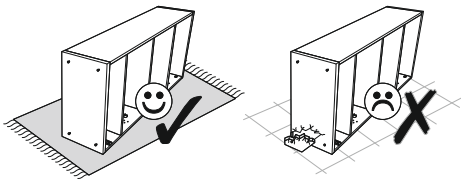
7	360	128	16	x1	2/2
8	1967	42	16	x2	2/2
9	1967	60	16	x2	2/2
10	1967	100	18	x1	2/2
11	1967	100	18	x1	2/2
12	390	60	16	x1	2/2

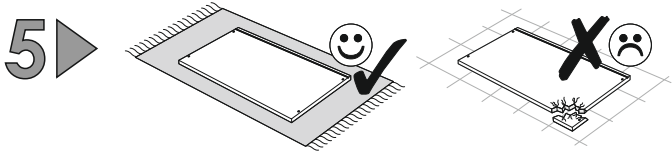
13	390	60	16	x1	2/2
14	286	250	16	x1	1/2
15	524	332	16	x1	1/2
16	523	310	16	x4	1/2
17	1865	538	3	x1	2/2
18	1351	384	20	x1	1/2
19	390	60	16	x1	2/2



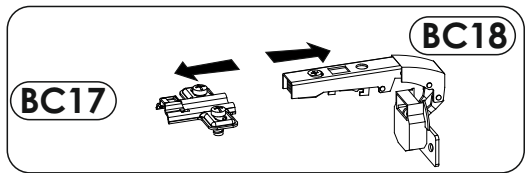
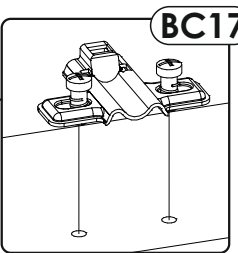
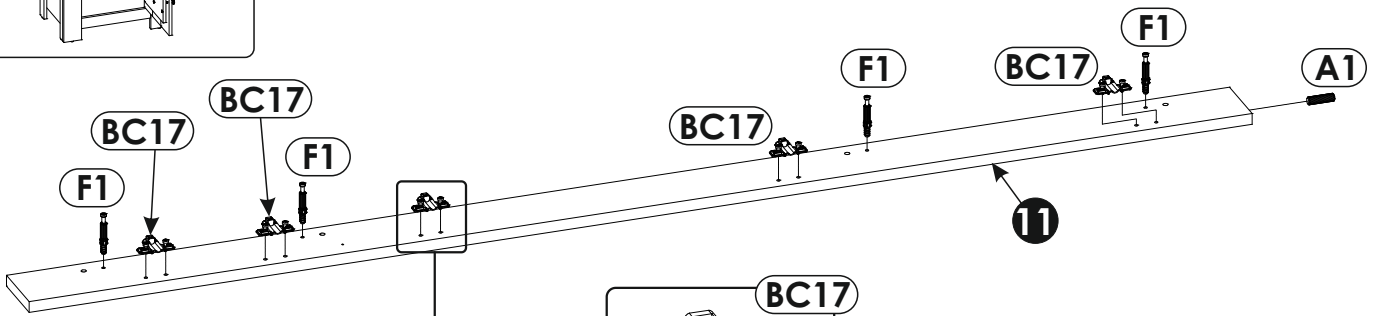
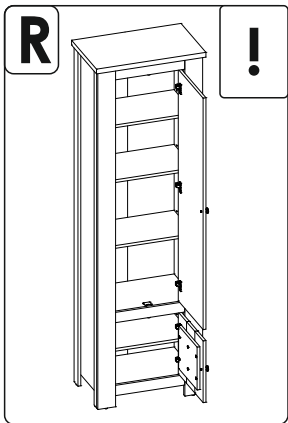
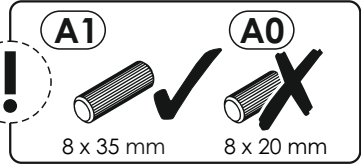
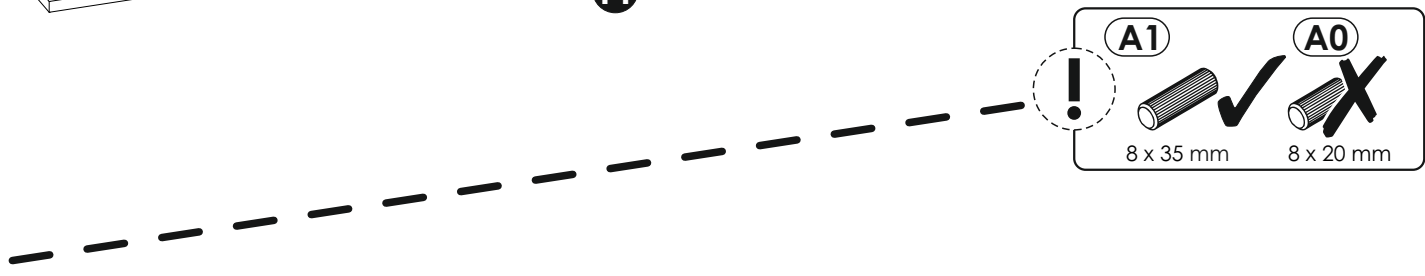
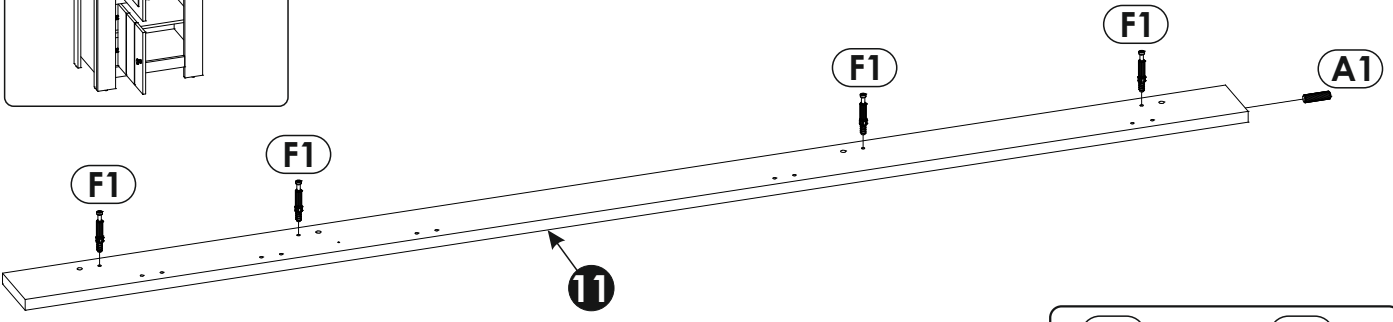
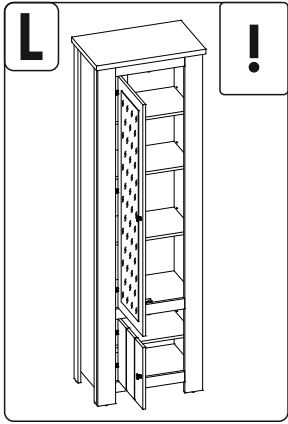


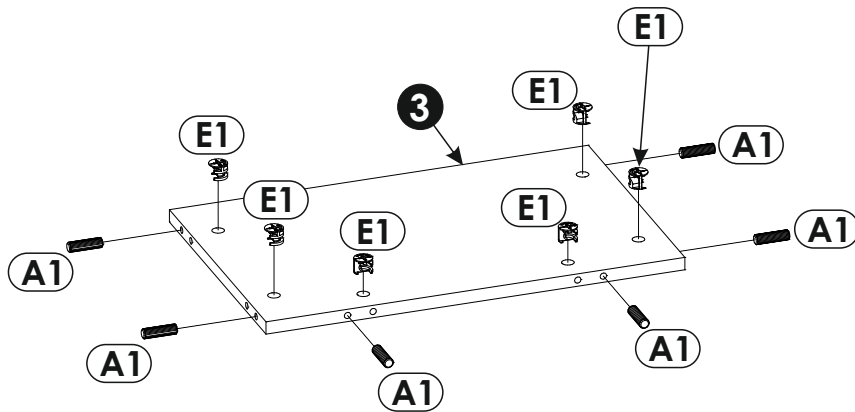
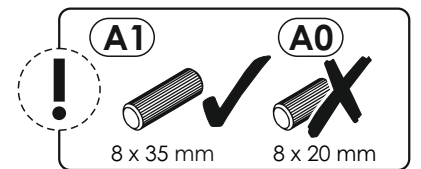
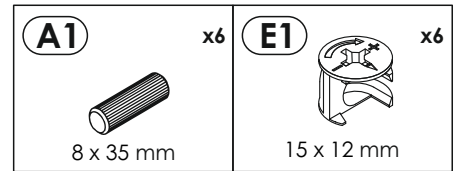
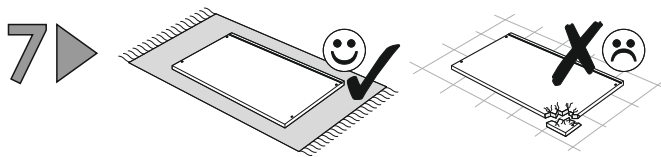
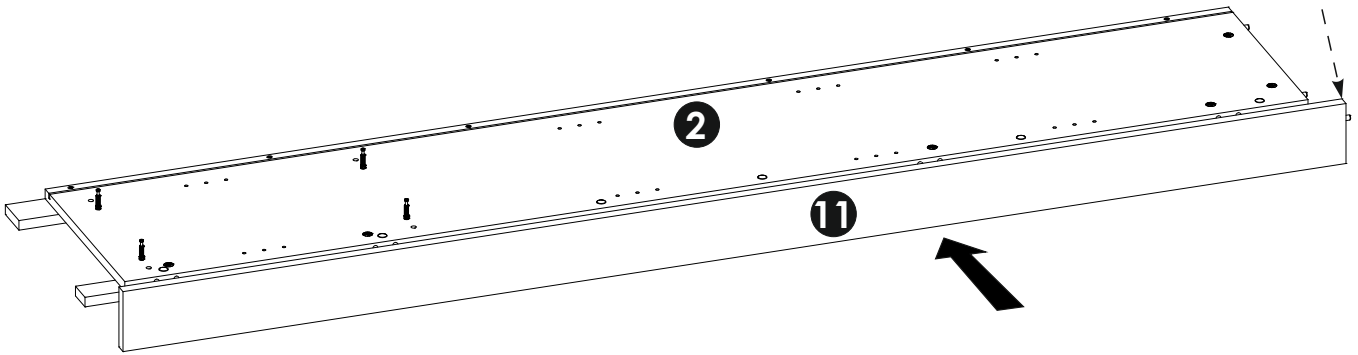
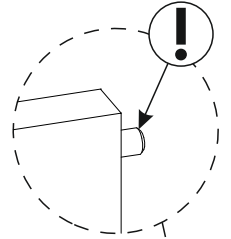
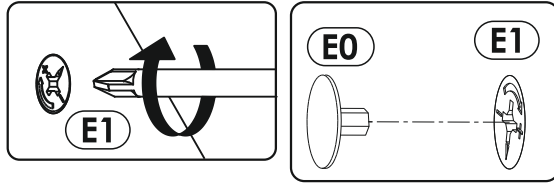
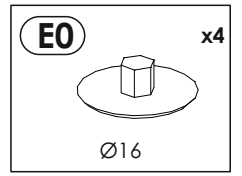
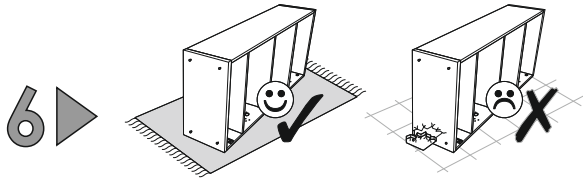
4 ▶



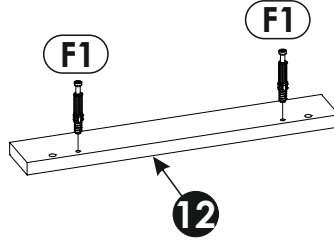
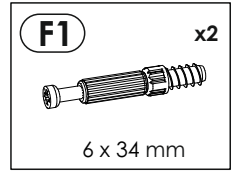
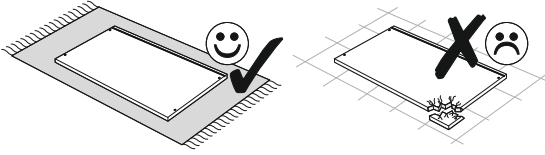


A1 x1 8 x 35 mm	BC17 x5	F1 x4 6 x 34 mm
------------------------------	-------------------	------------------------------

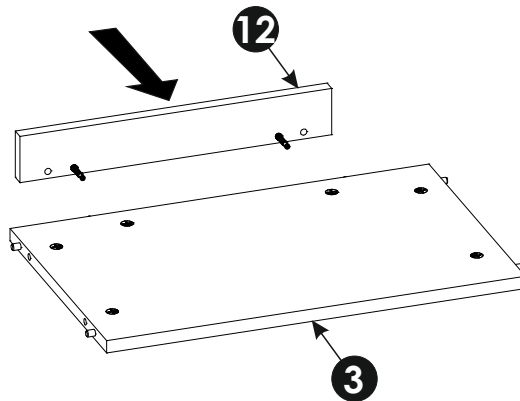
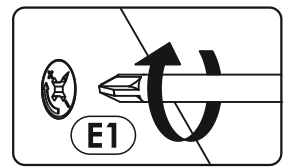
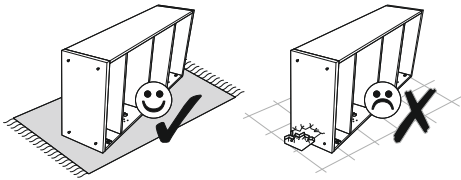




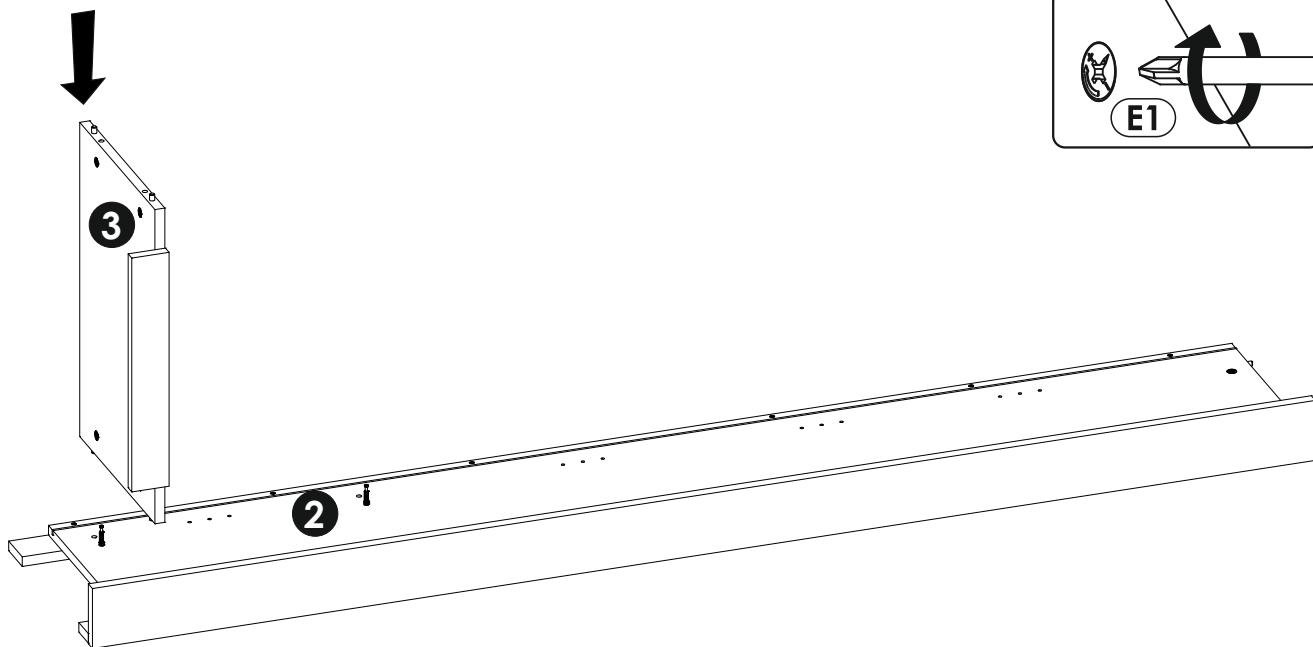
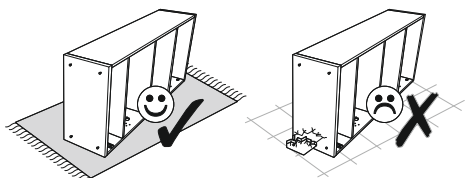
8 ▶



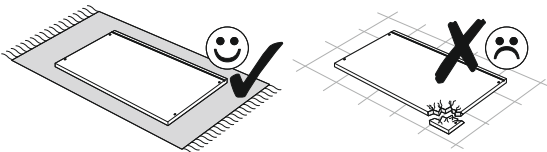
9 ▶



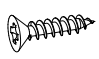
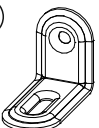


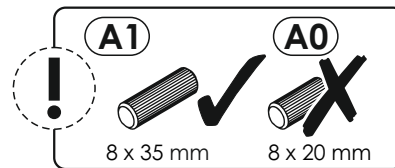
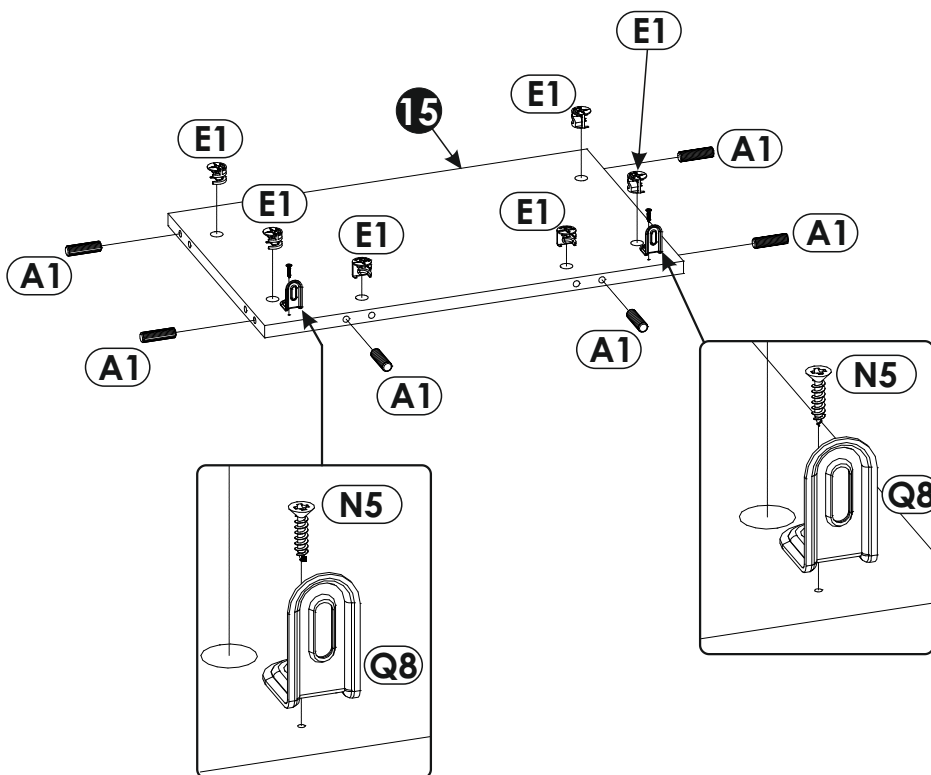
10 ▶



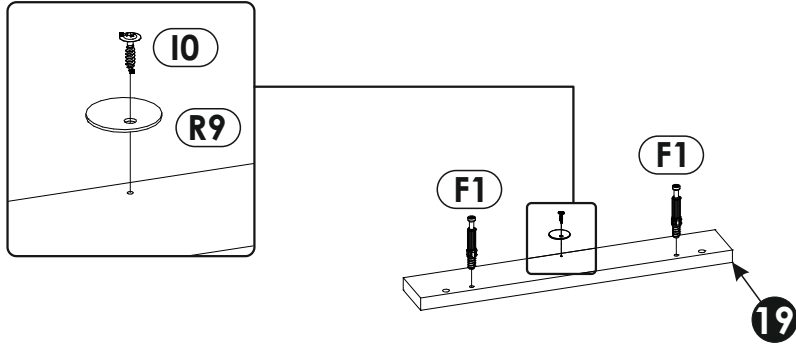
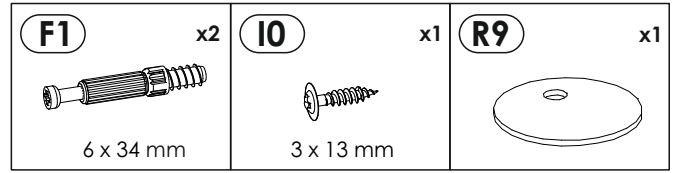
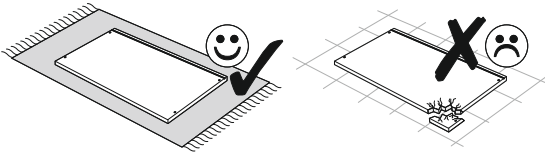
11 ▶



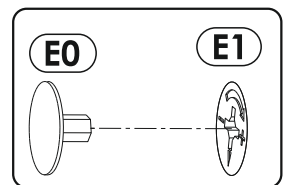
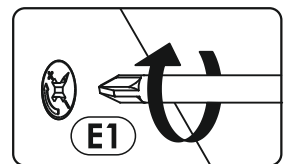
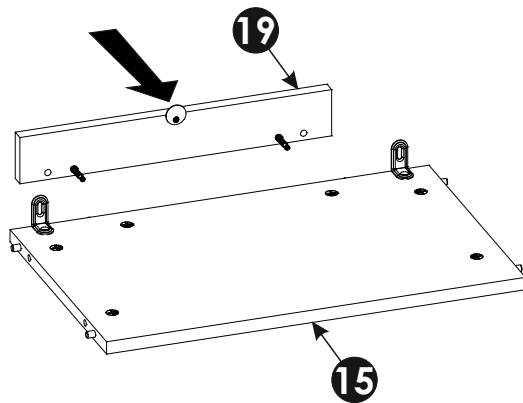
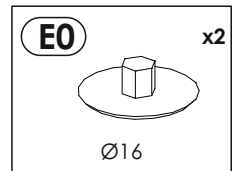
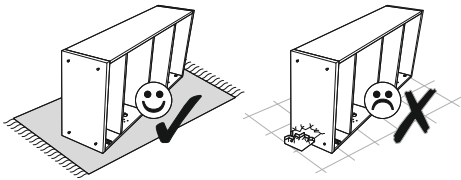
<p>A1 x6</p>  <p>8 x 35 mm</p>	<p>E1 x6</p>  <p>15 x 12 mm</p>	<p>N5 x2</p>  <p>3,5 x 16 mm</p>
<p>Q8 x2</p> 		



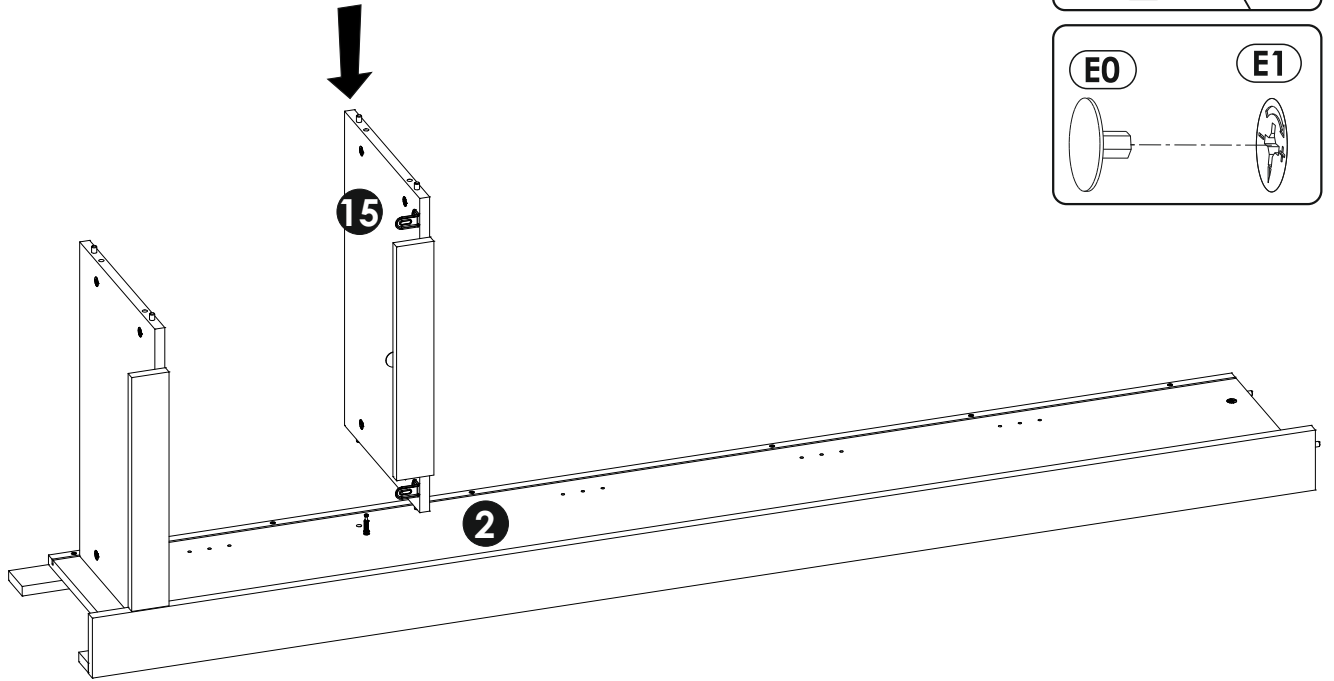
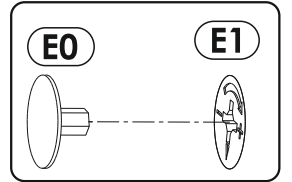
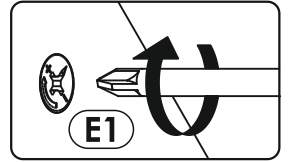
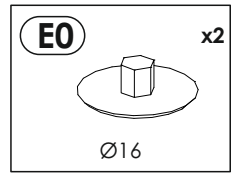
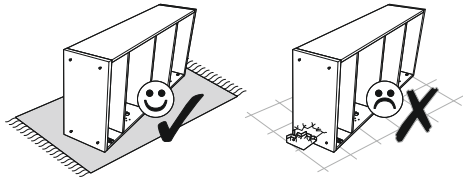
12▶



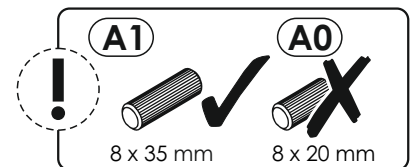
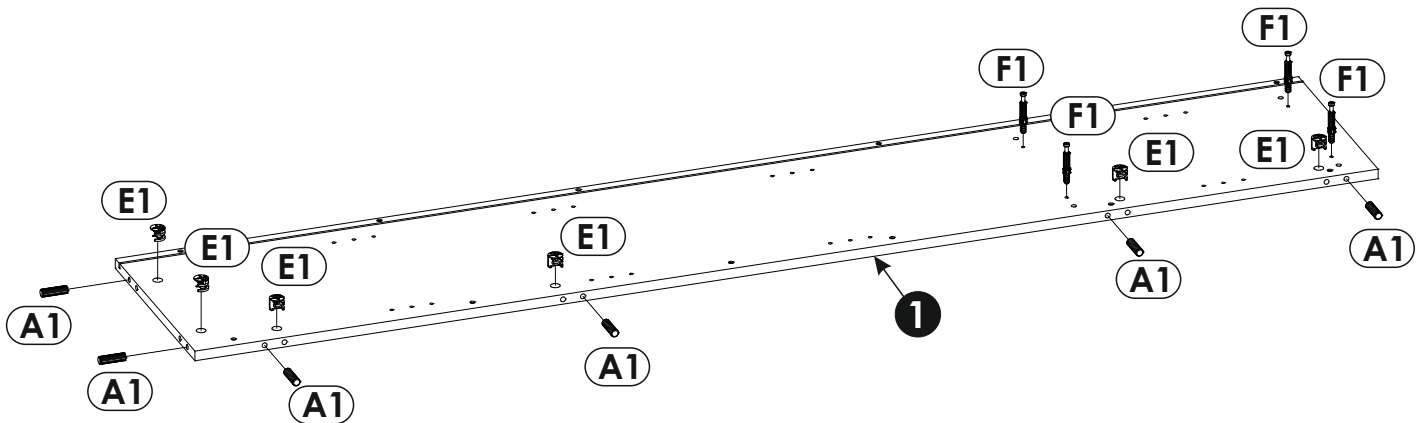
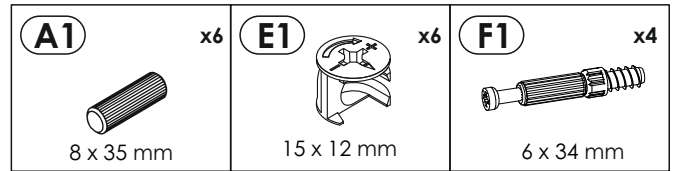
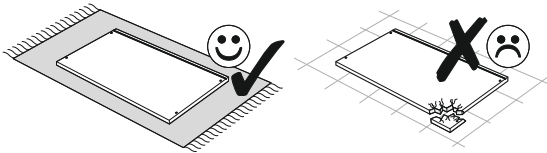
13▶



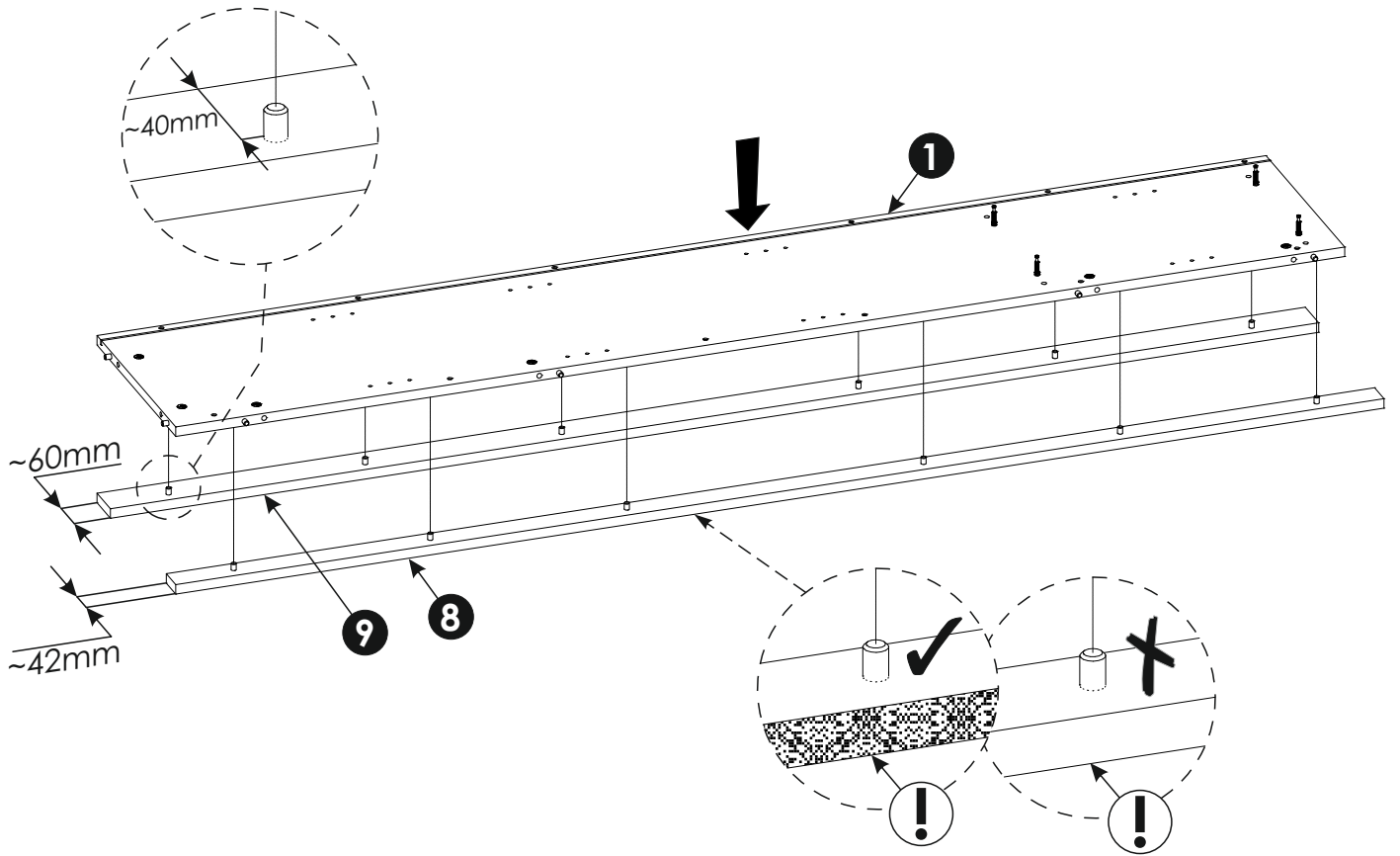
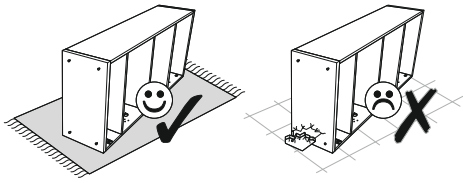
14▶



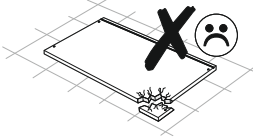
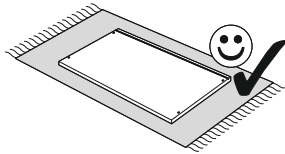
15▶

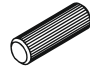
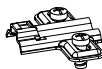
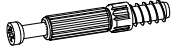


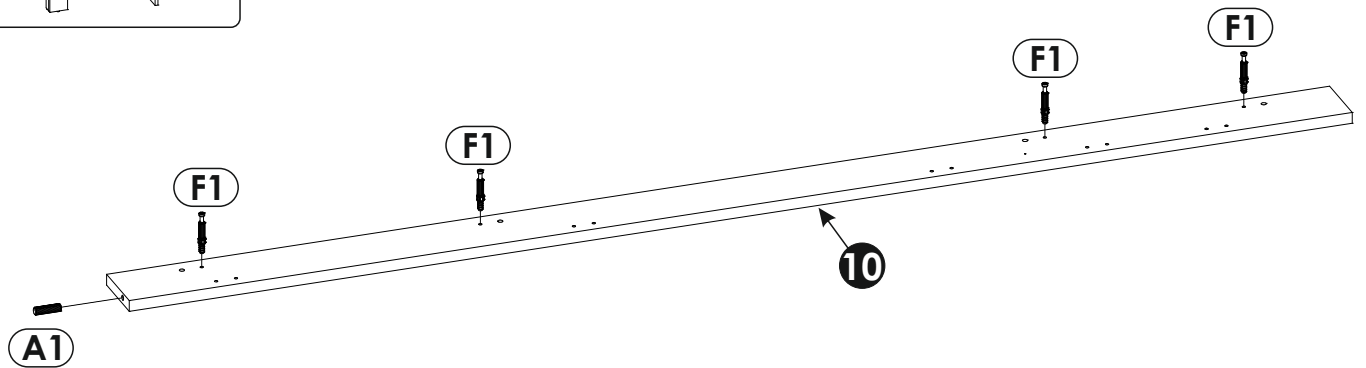
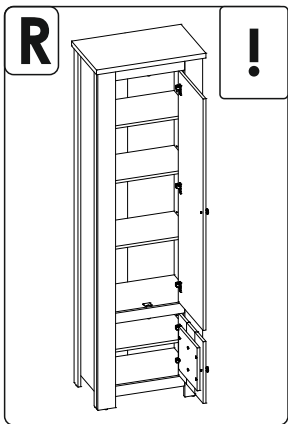
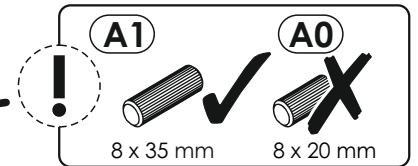
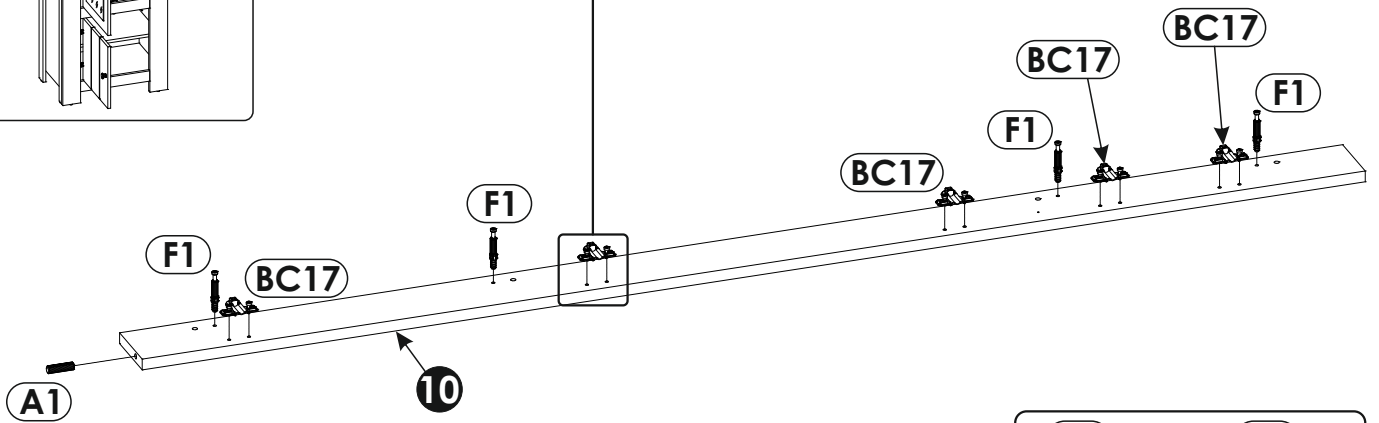
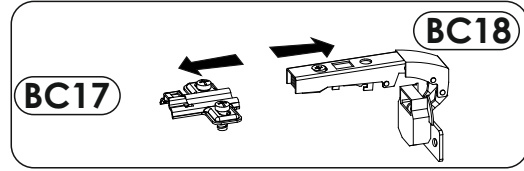
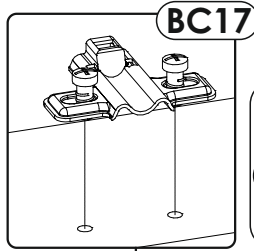
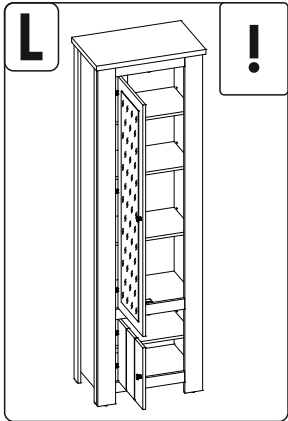
16 ▶



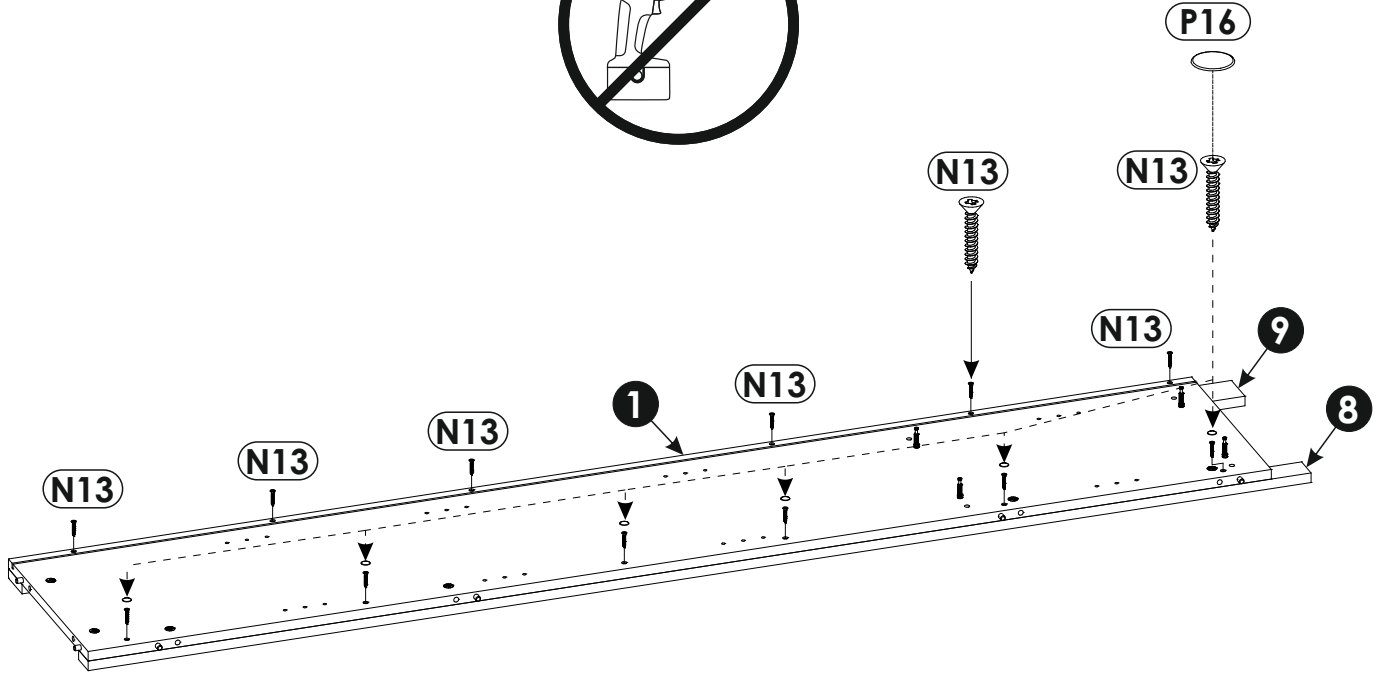
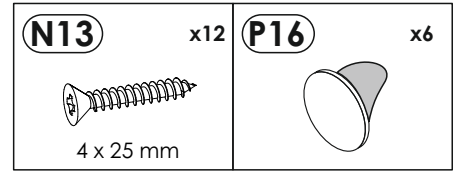
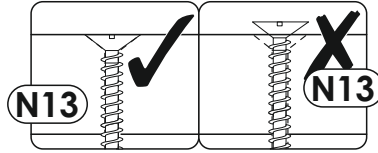
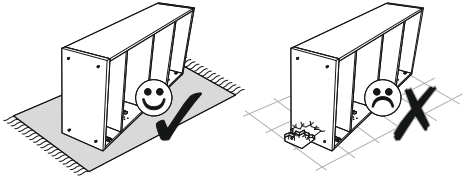
17 ▶



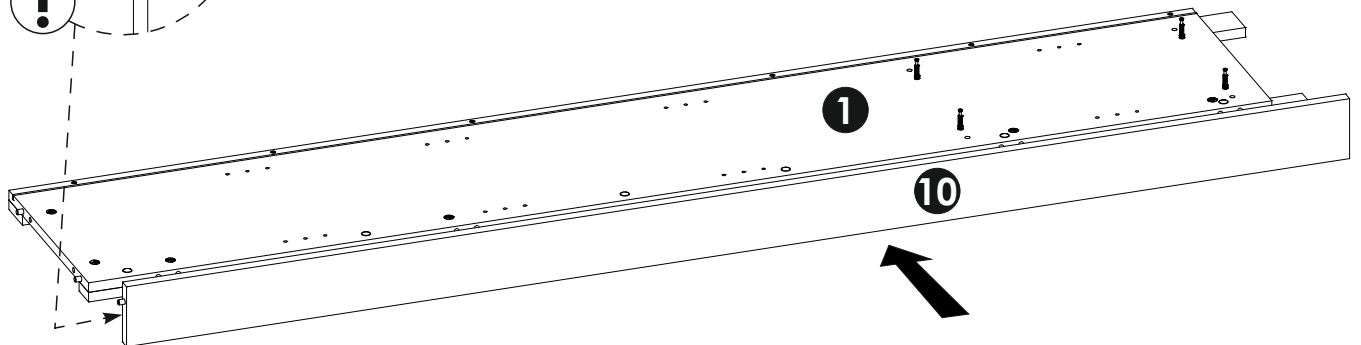
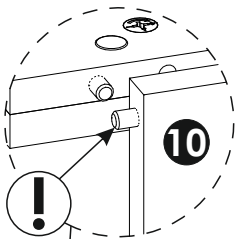
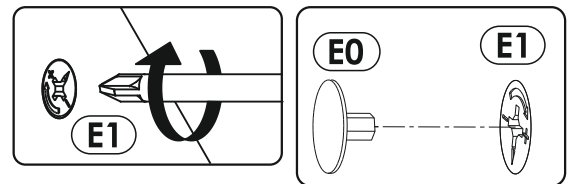
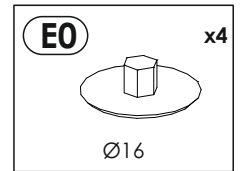
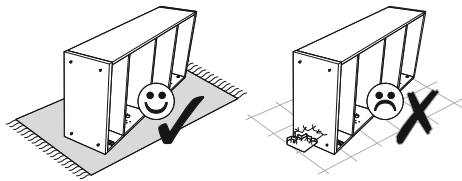
A1	x1	BC17	x5	F1	x4
					
8 x 35 mm				6 x 34 mm	



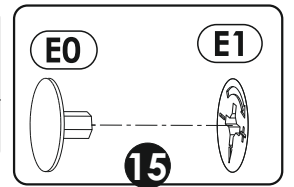
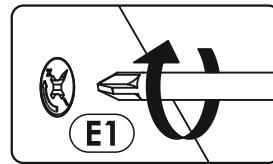
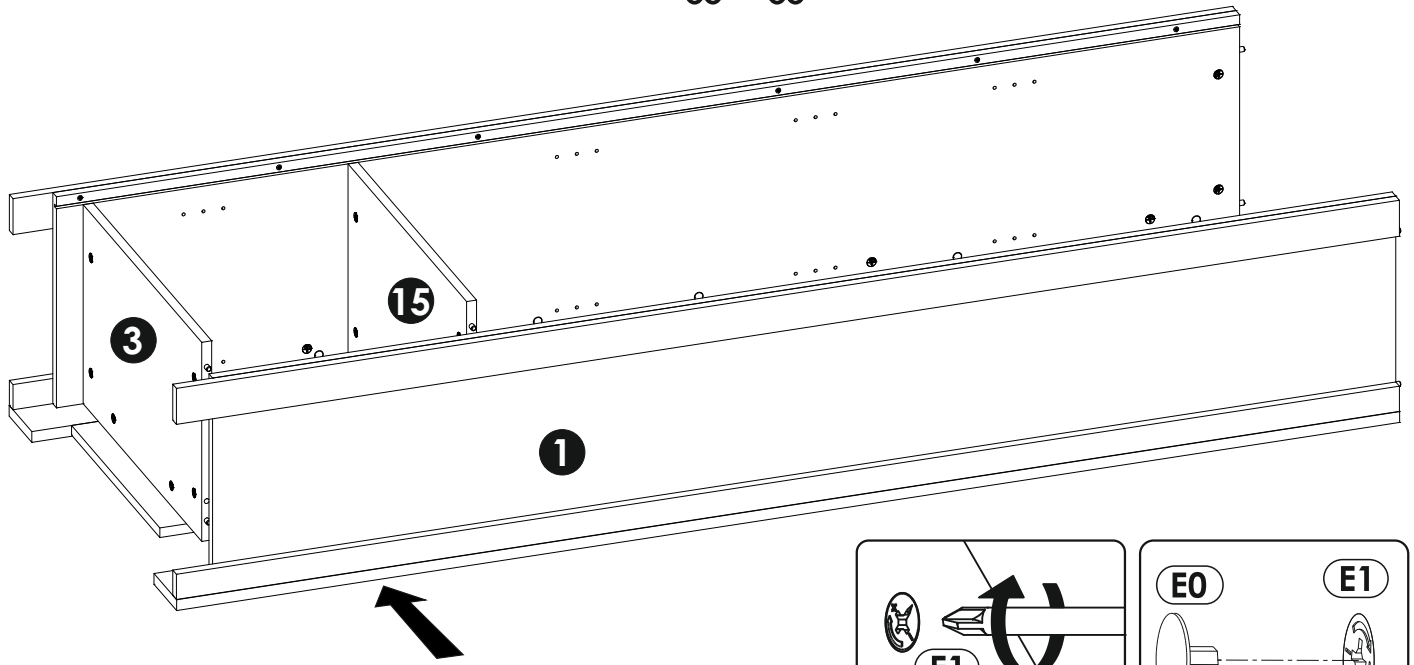
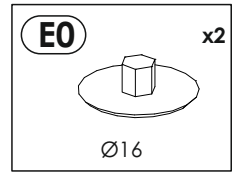
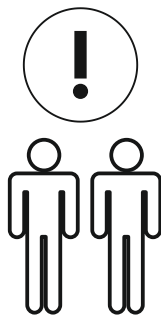
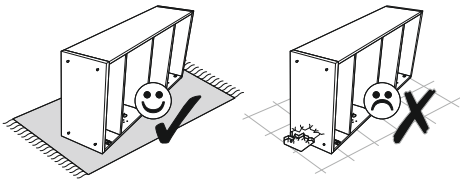
18 ▶



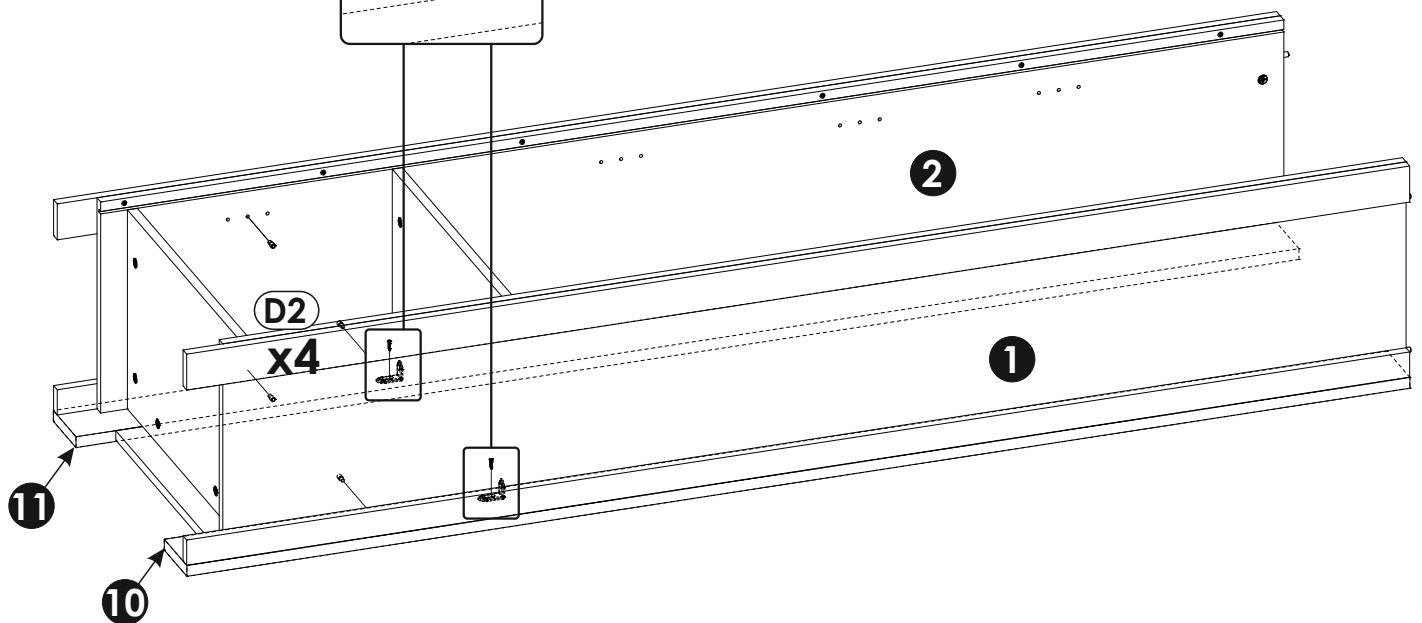
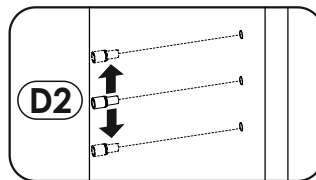
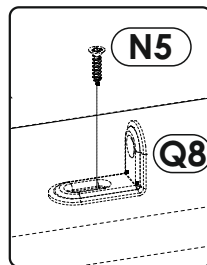
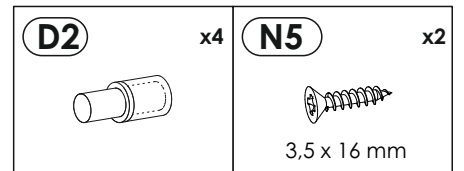
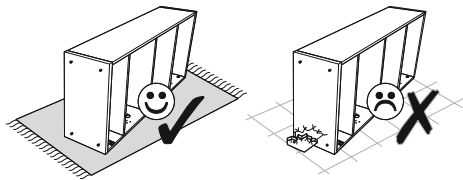
19 ▶



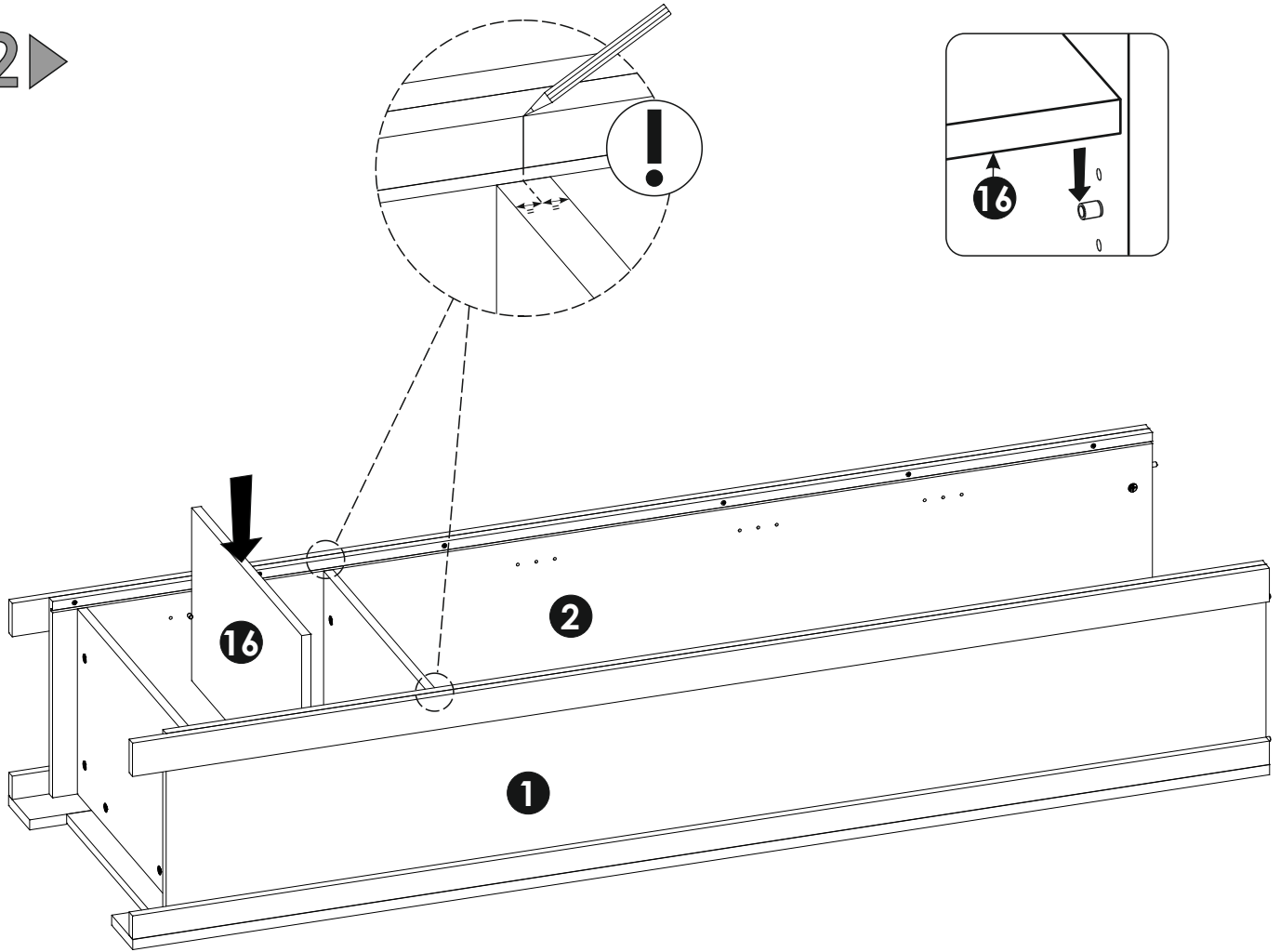
20 ▶



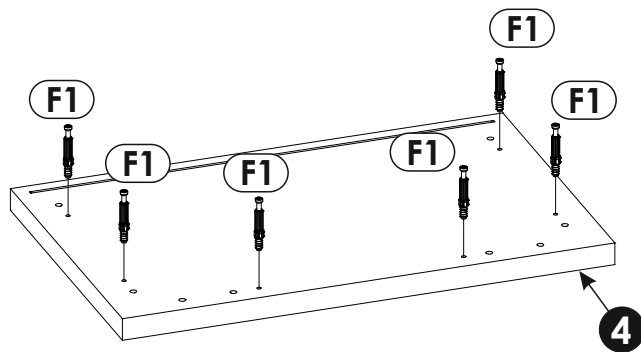
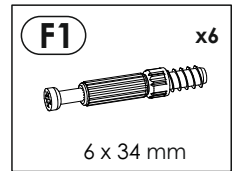
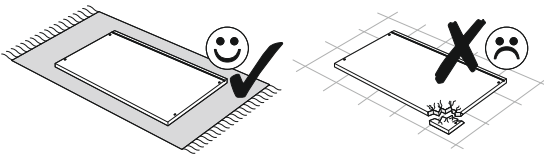
21 ▶



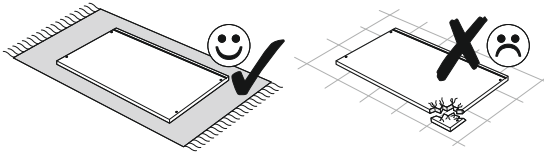
22 ▶



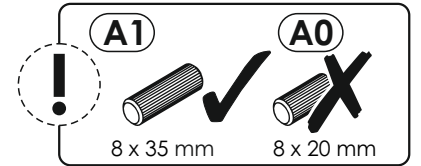
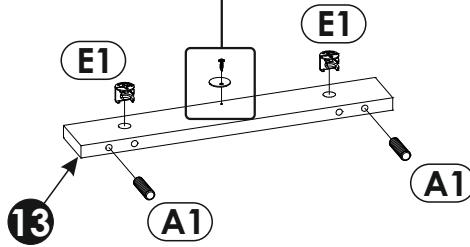
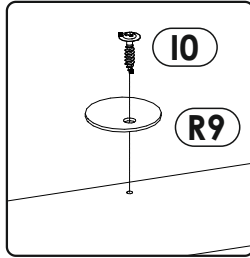
23 ▶



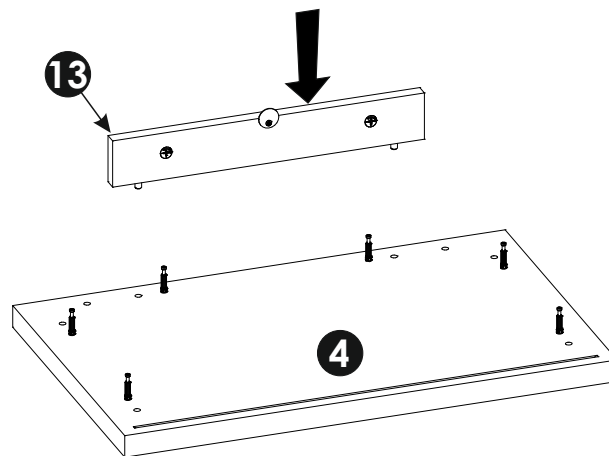
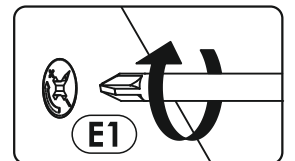
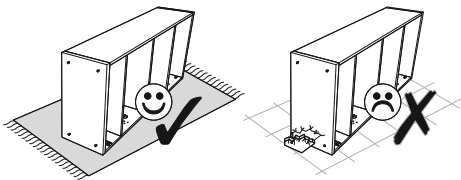
24 ▶

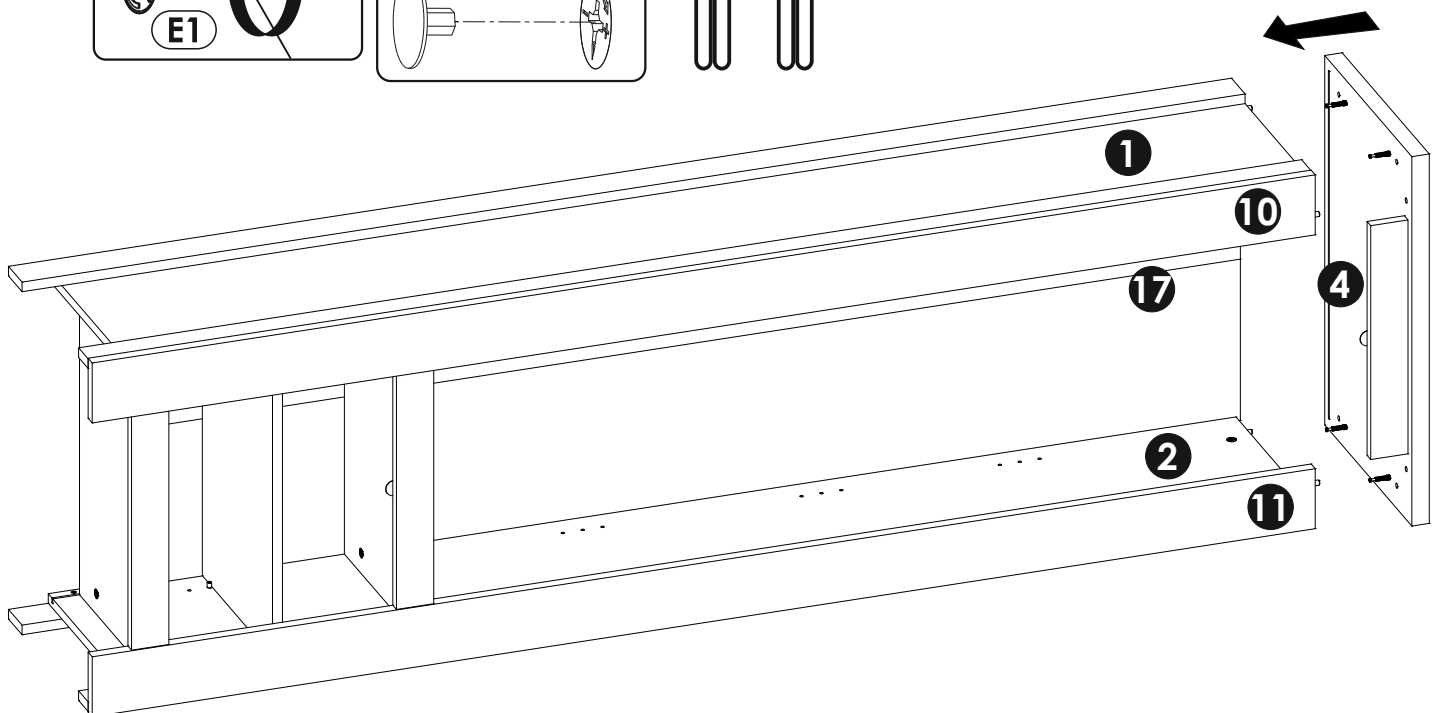
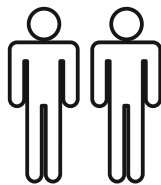
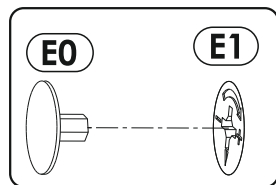
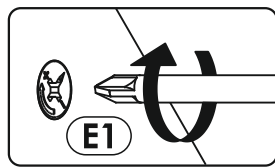
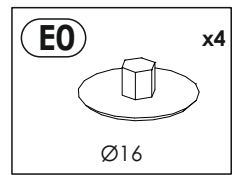
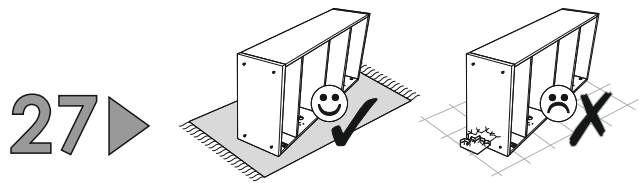
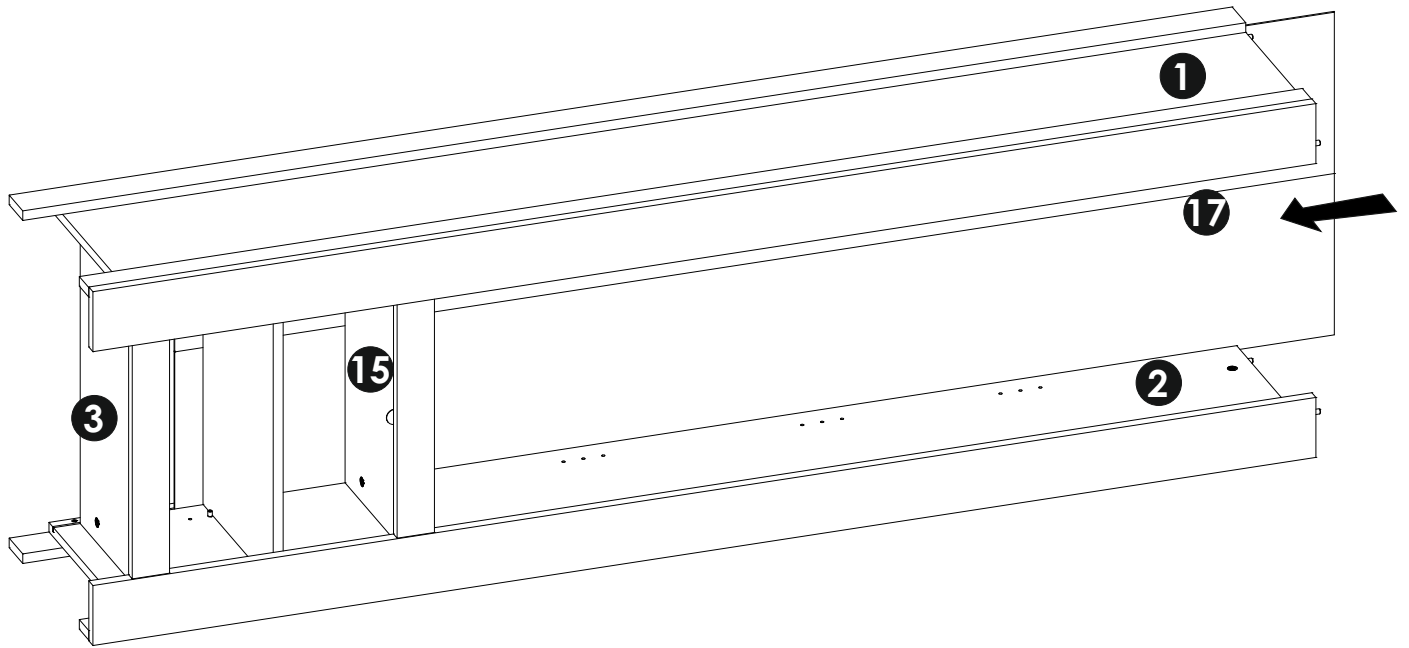
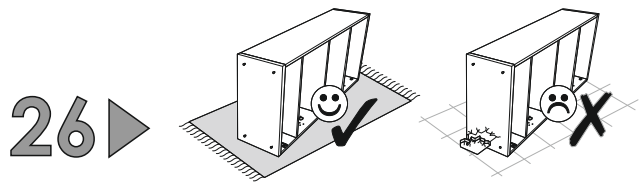


A1 8 x 35 mm x2	E1 15 x 12 mm x2	I0 3 x 13 mm x1
		R9 x1

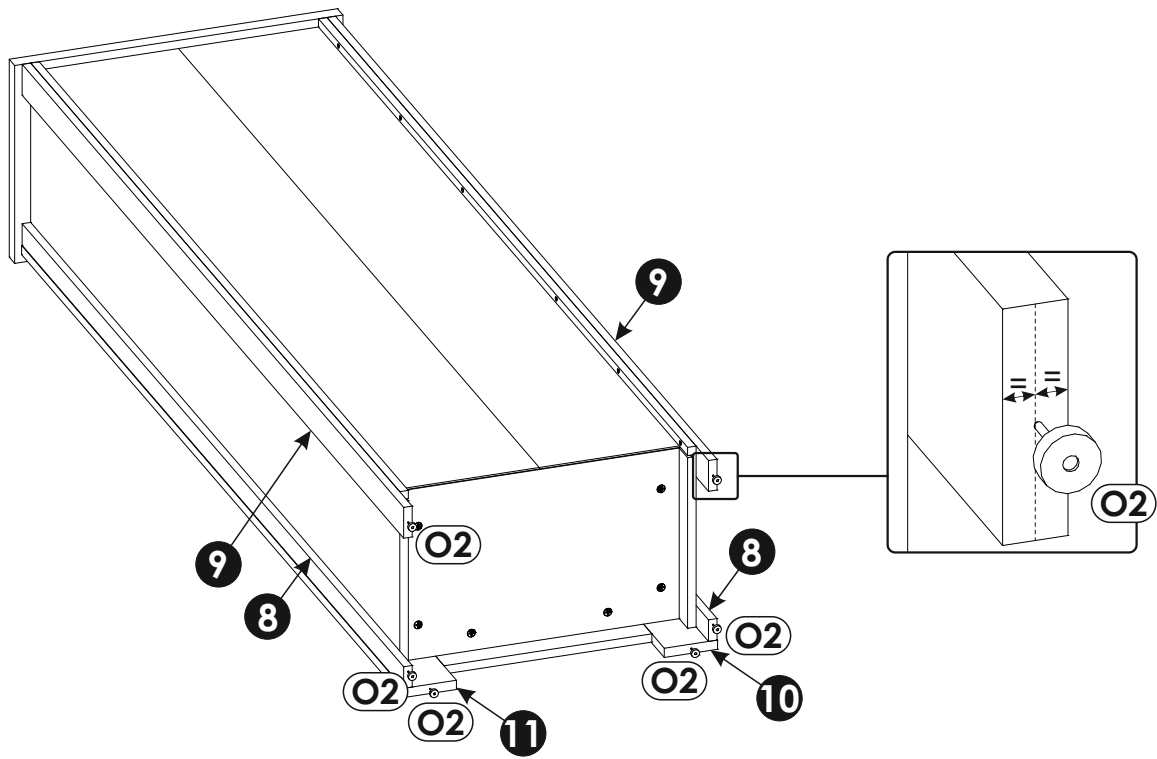
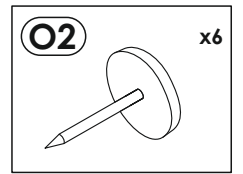
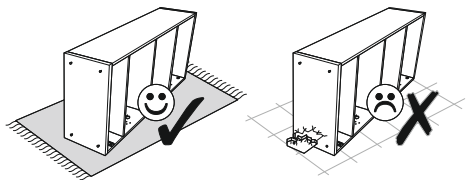


25 ▶

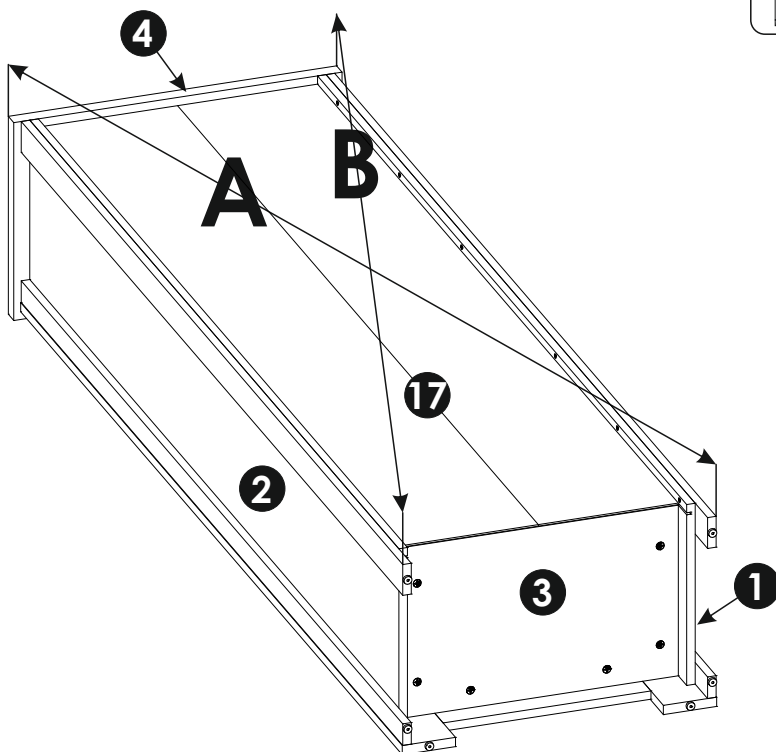
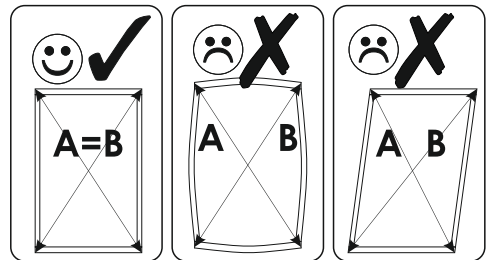
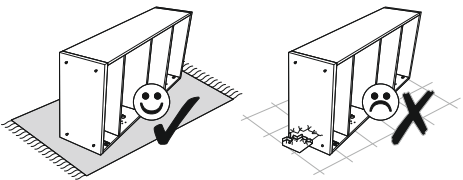




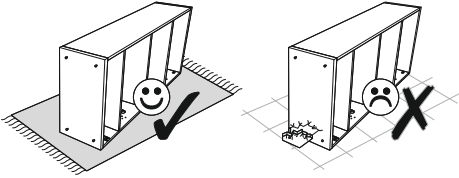
28 ▶▶

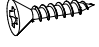
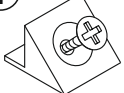


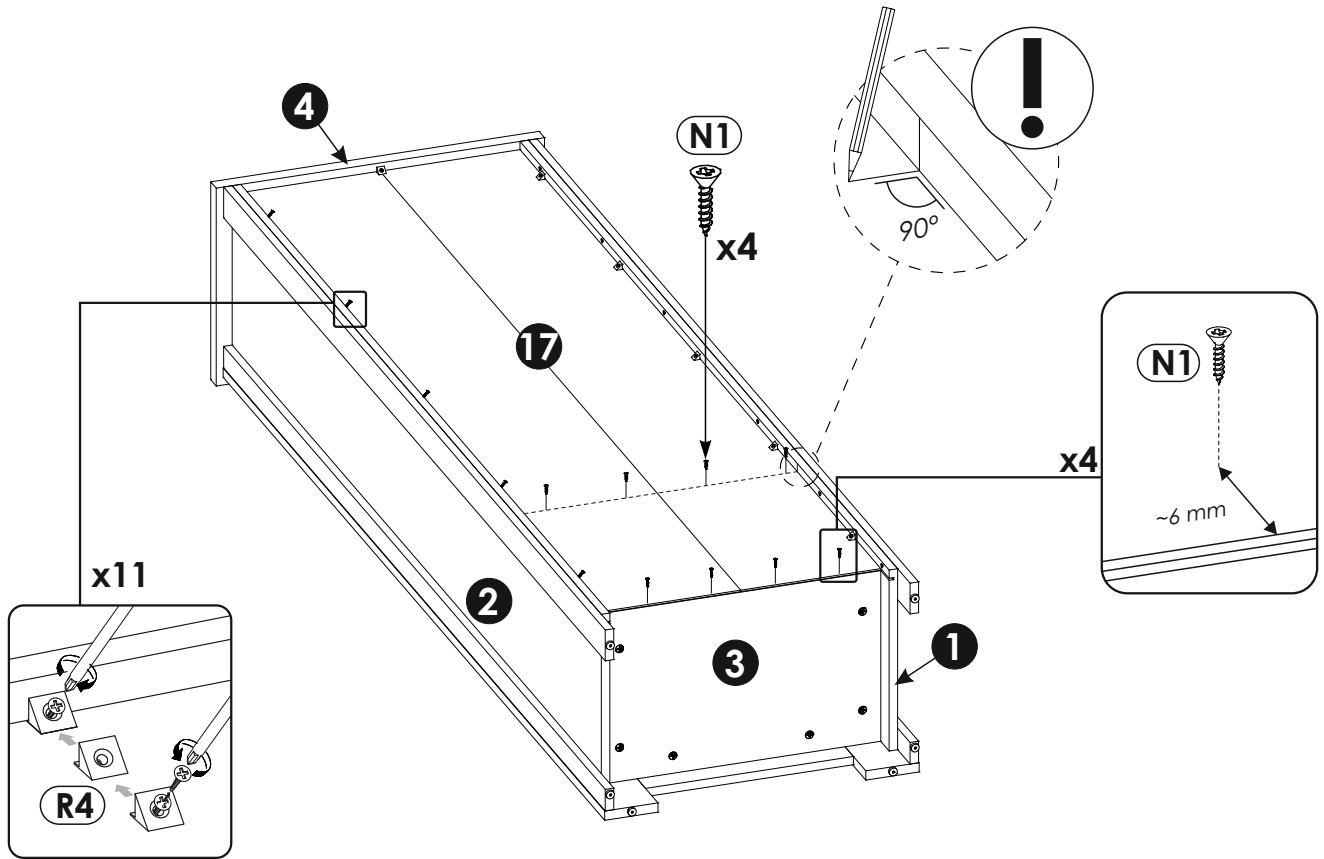
29 ▶▶

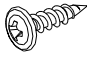
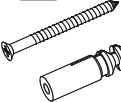
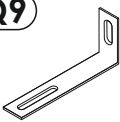
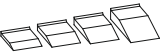


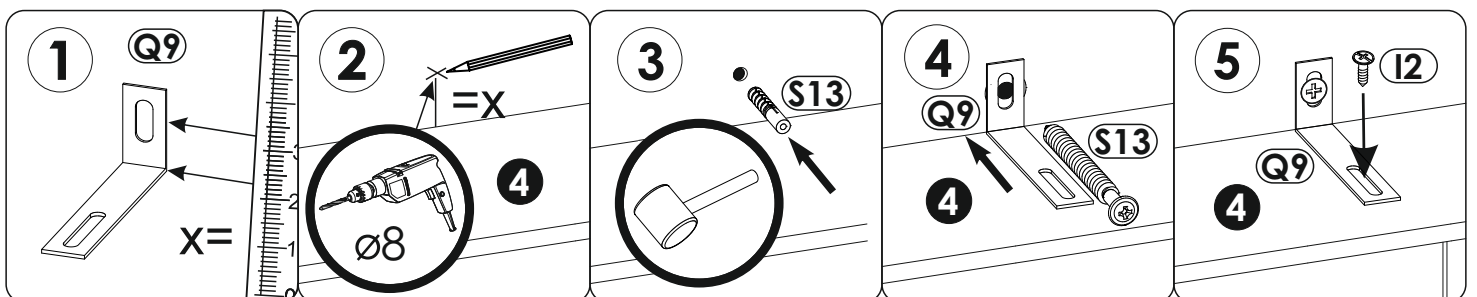
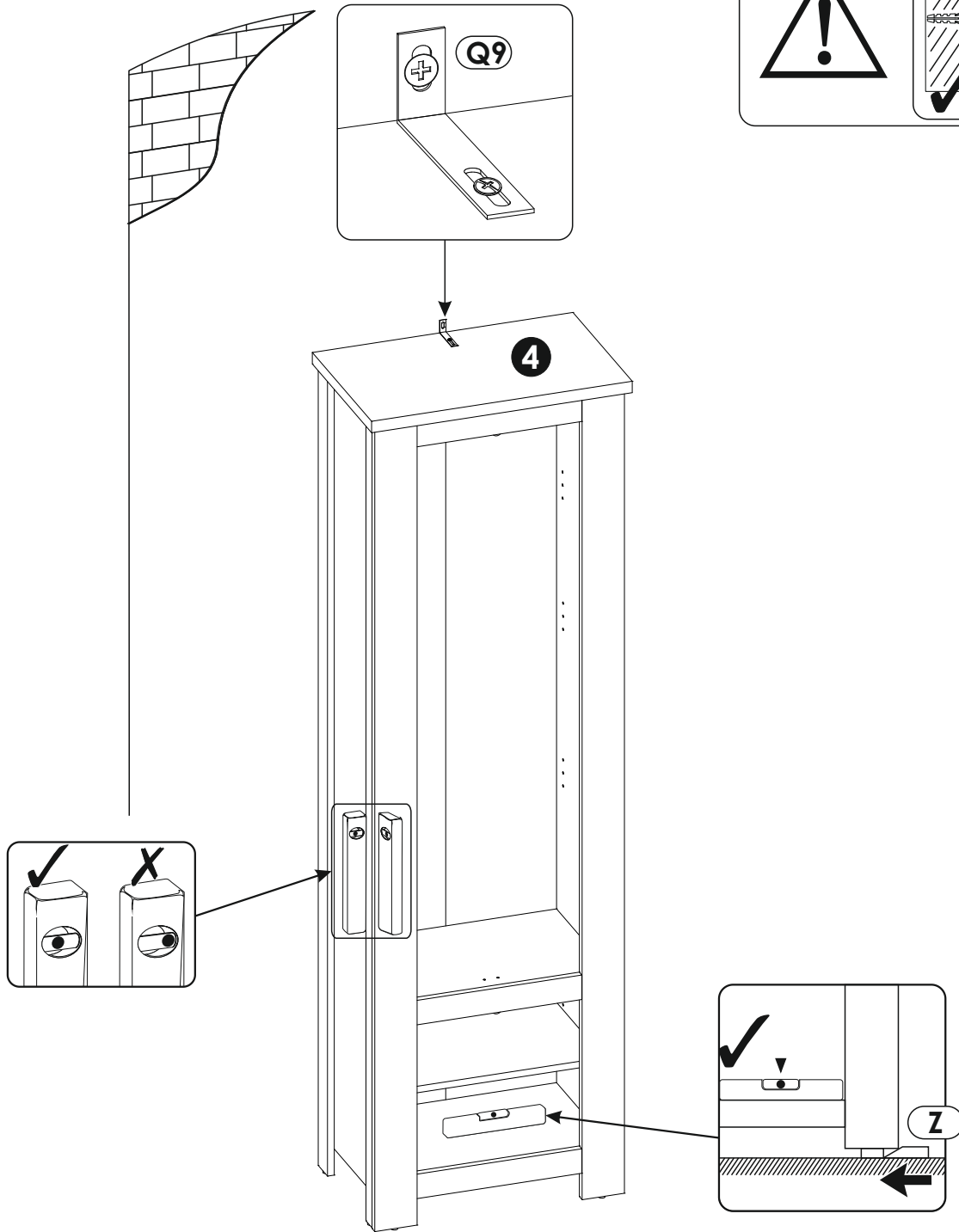
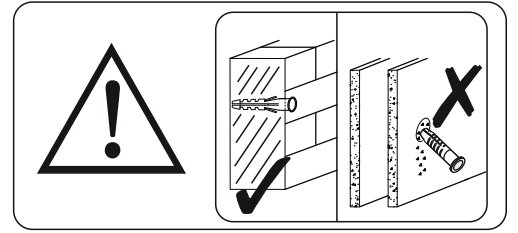
30 ▶



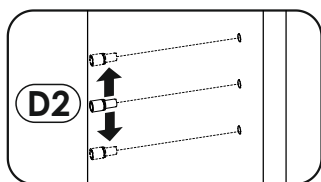
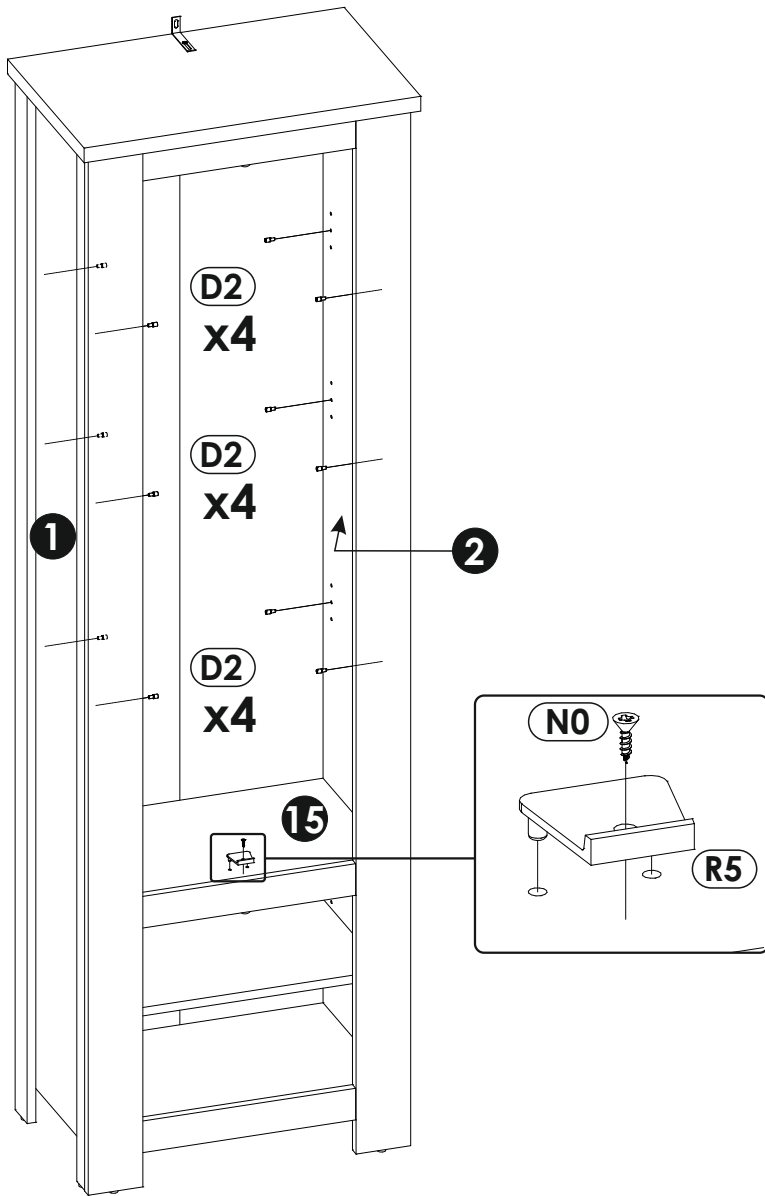
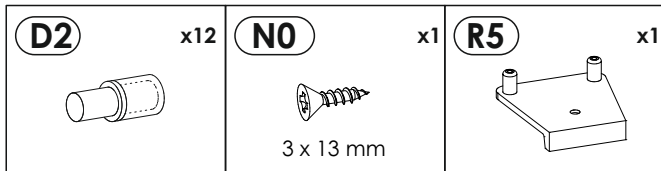
N1  3 X 16 mm	x8	R4  x11
---	-----------	---



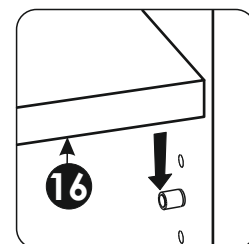
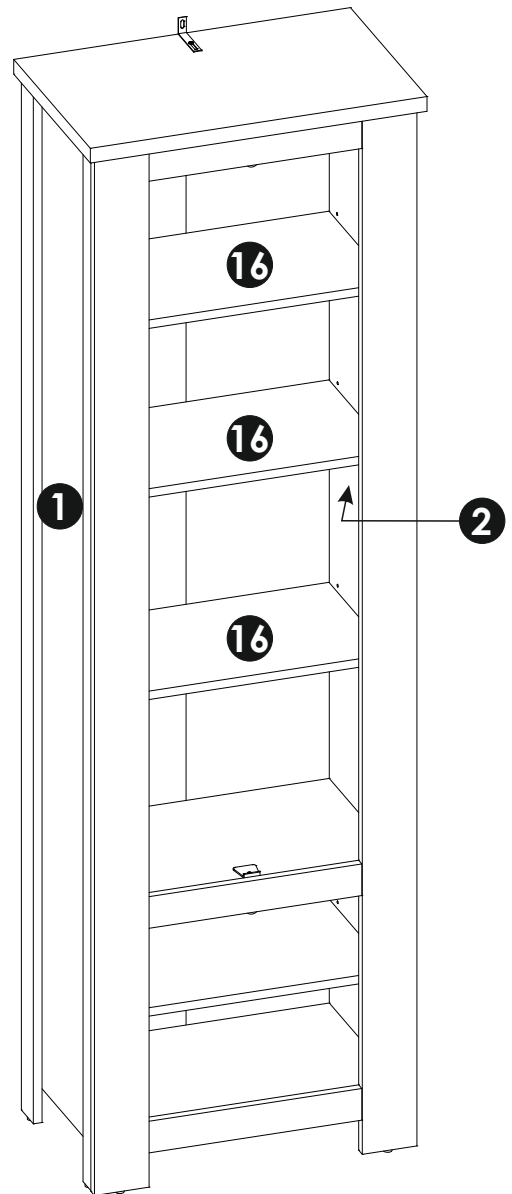
I2 x1  4 x 16 mm	S13 x1  Ø8	Q9 x1 	Z x1 
--	--	---	--



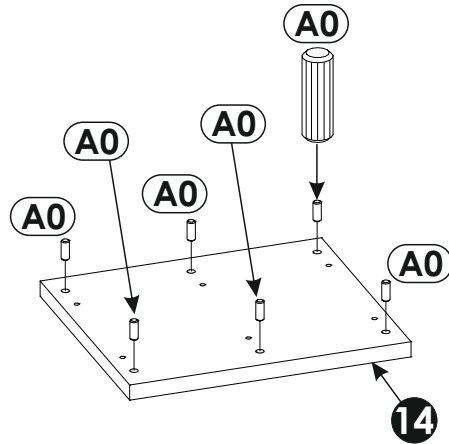
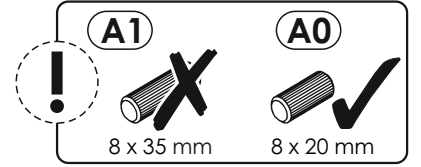
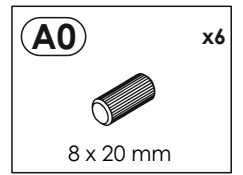
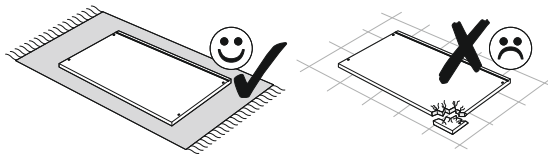
32 ▶



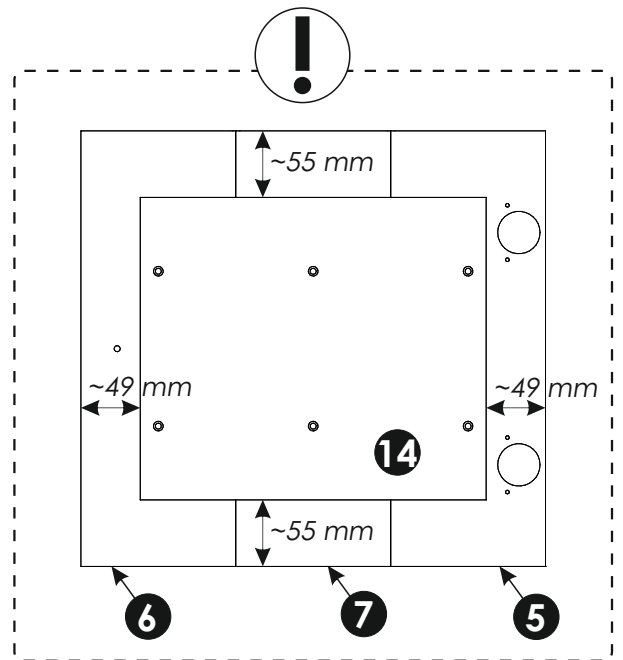
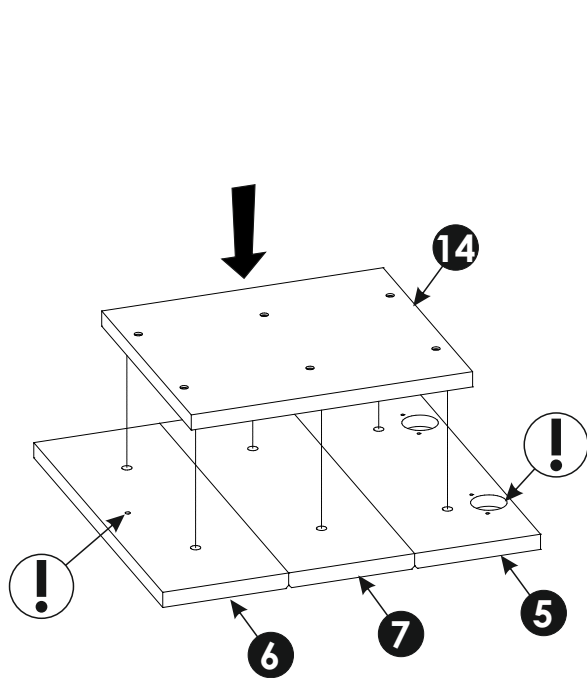
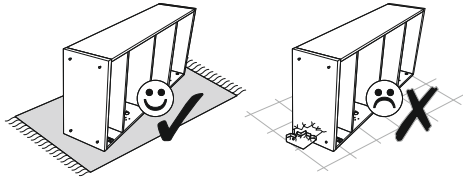
33 ▶



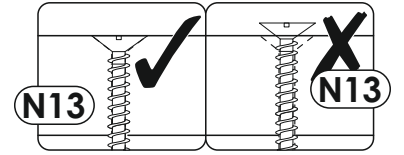
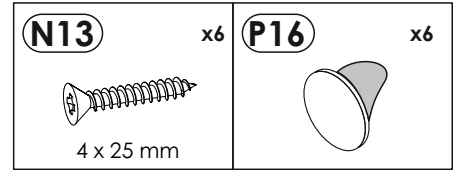
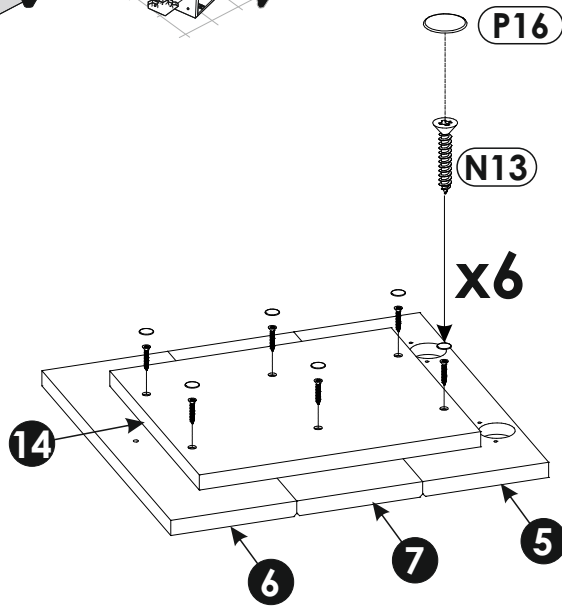
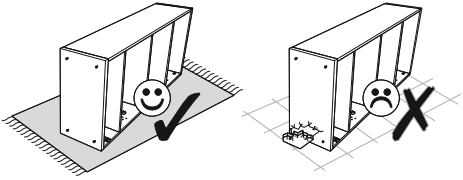
34 ▶



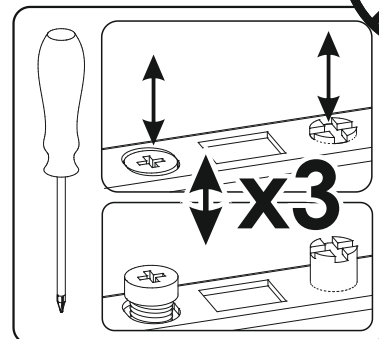
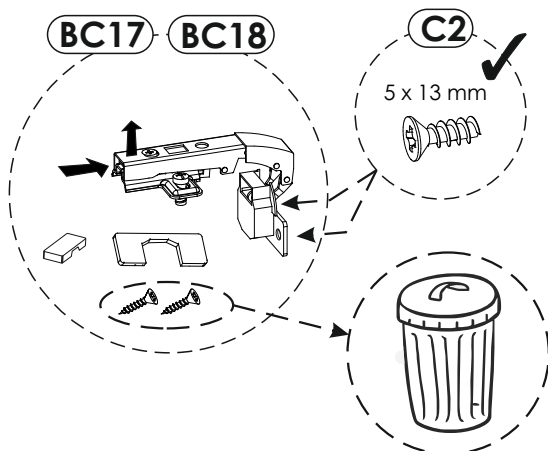
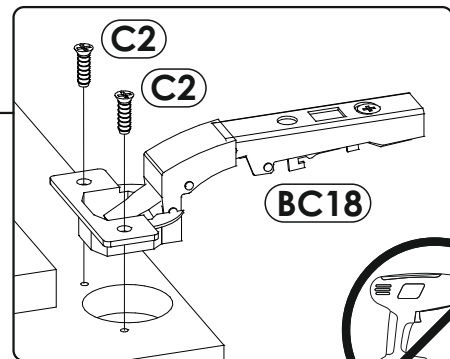
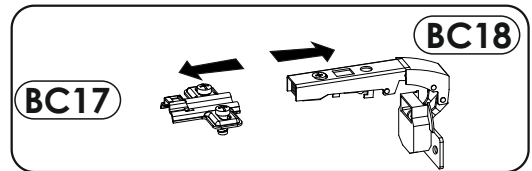
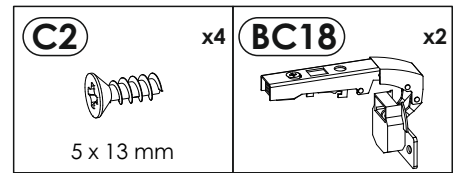
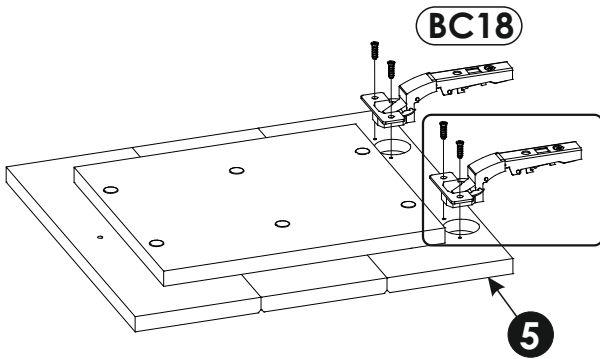
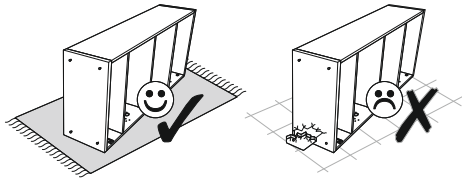
35 ▶



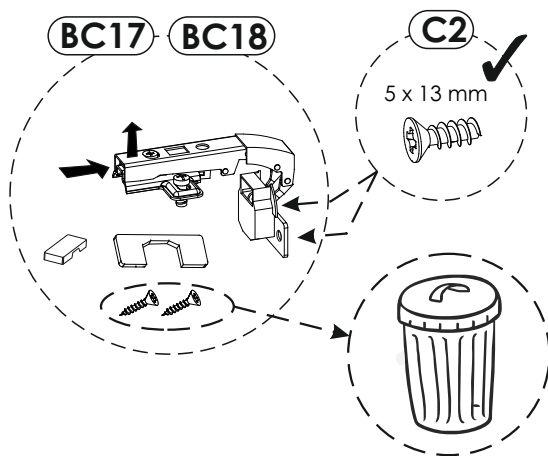
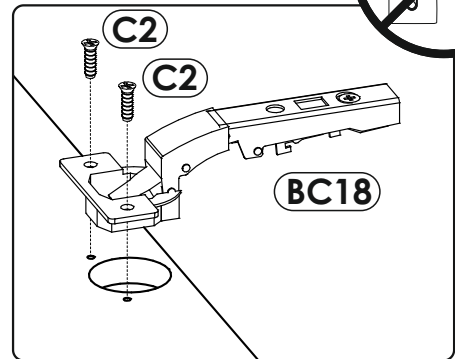
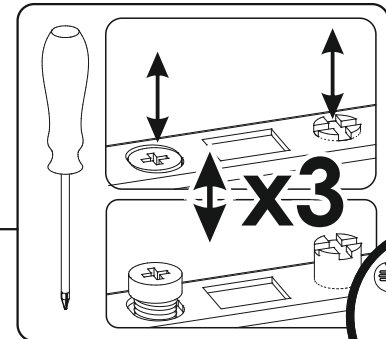
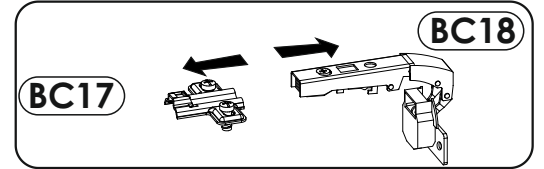
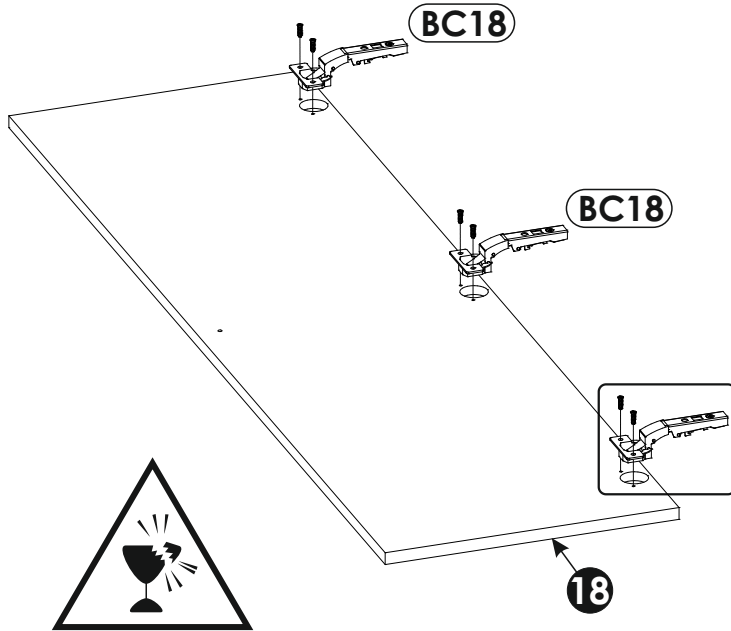
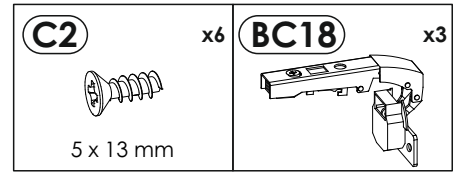
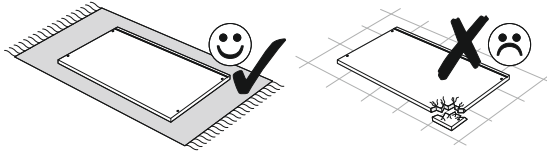
36 ▶



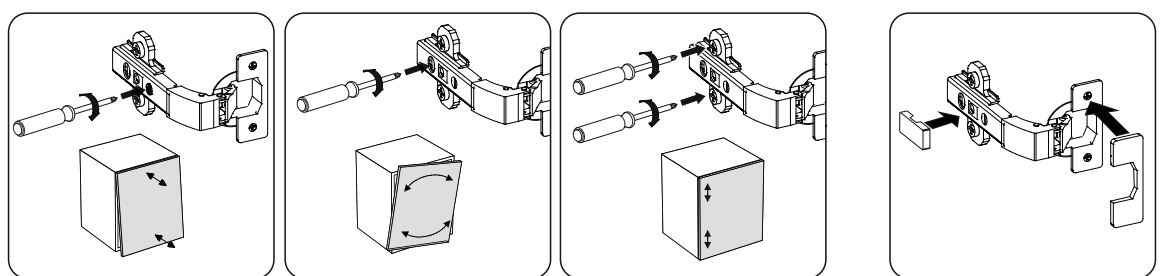
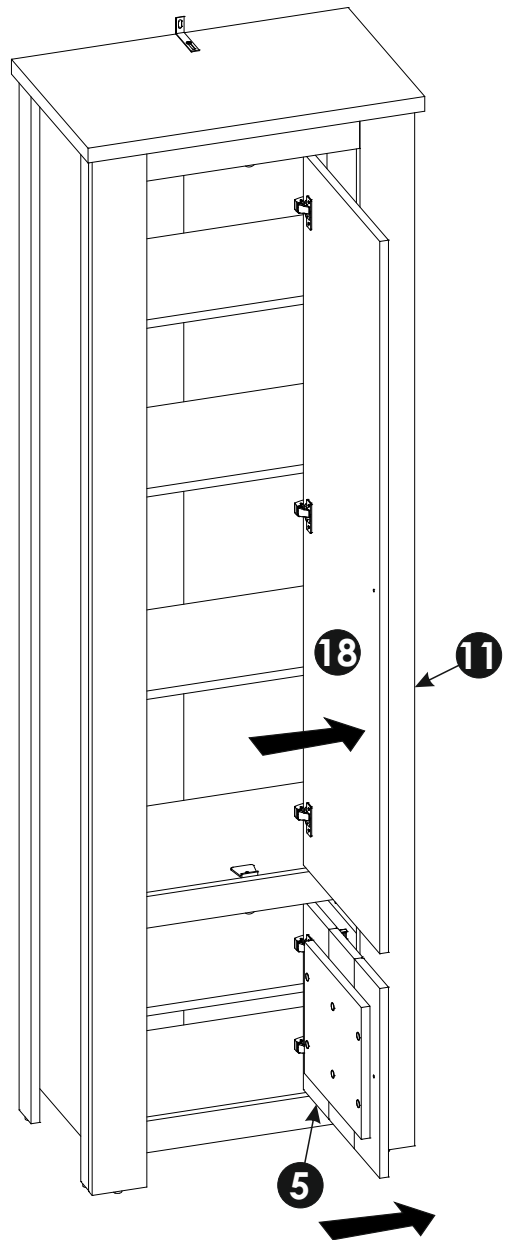
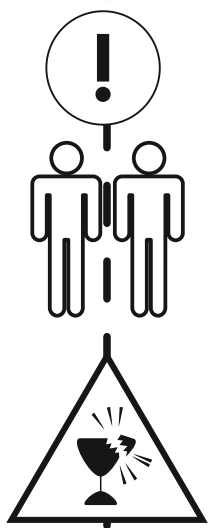
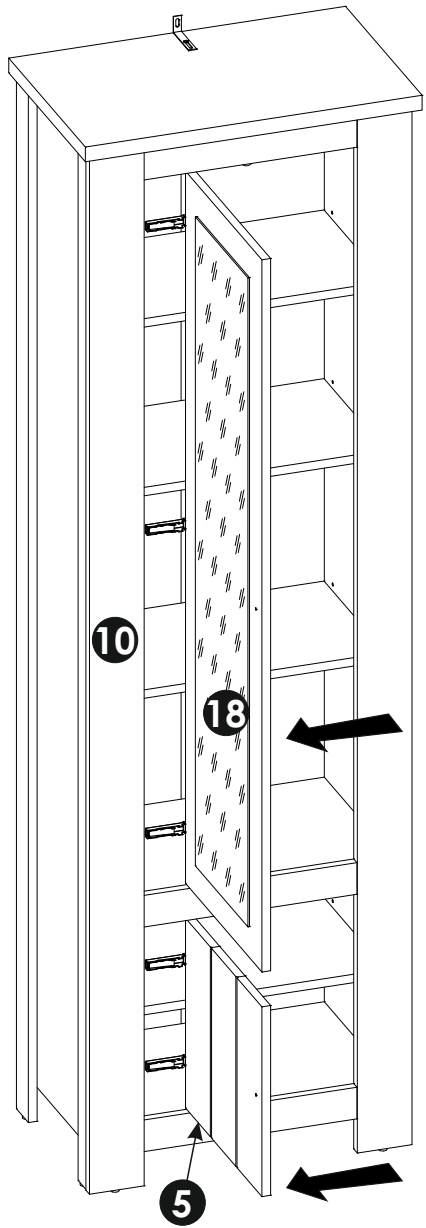
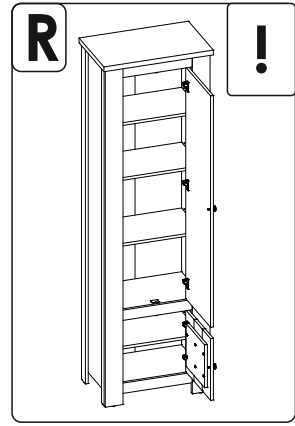
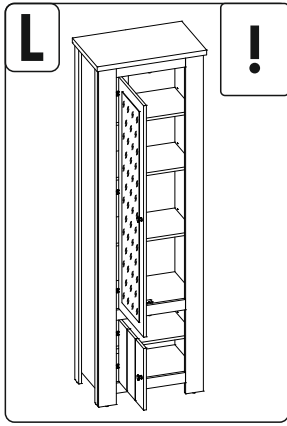
37 ▶



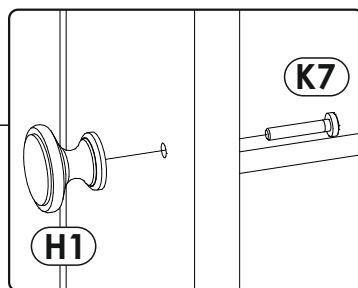
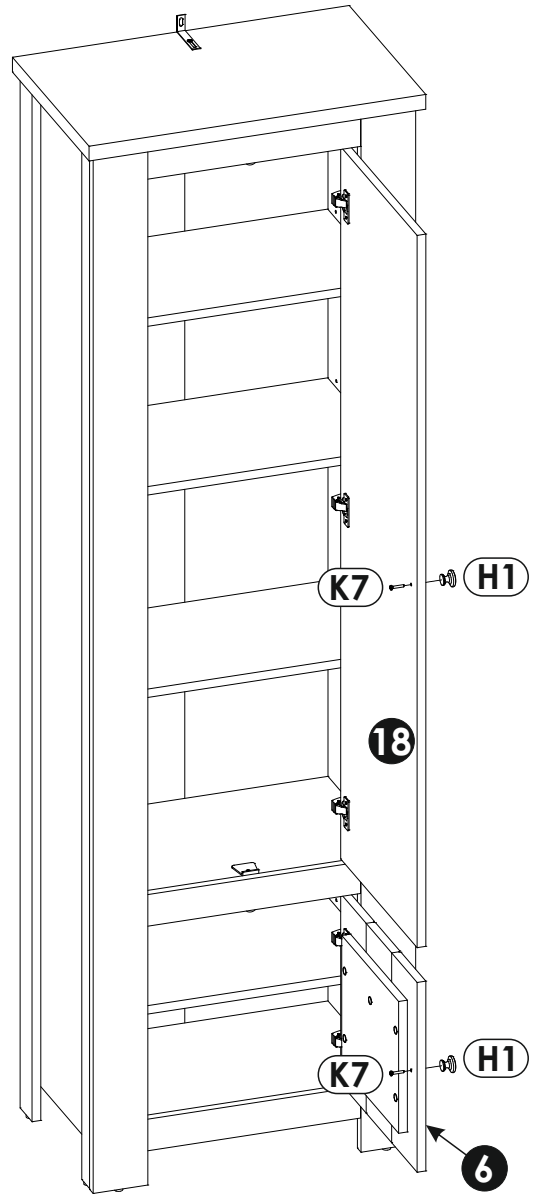
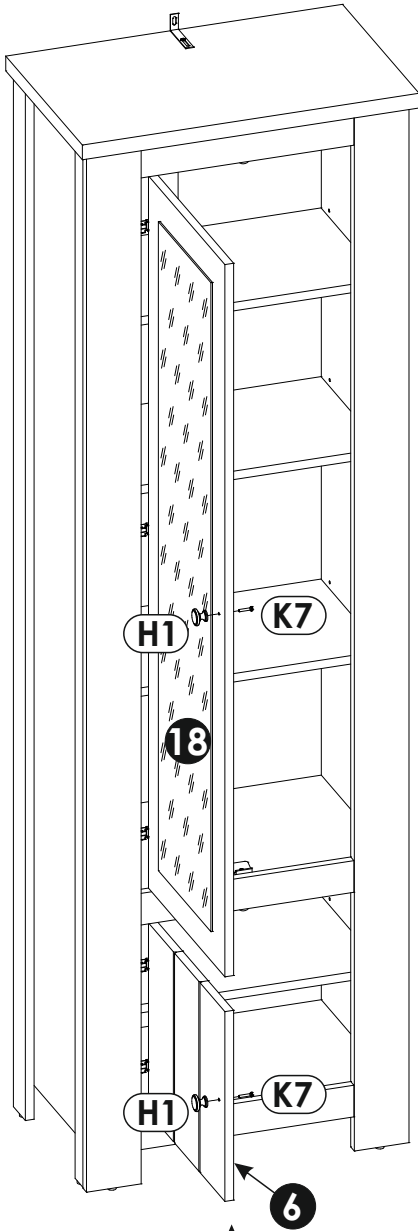
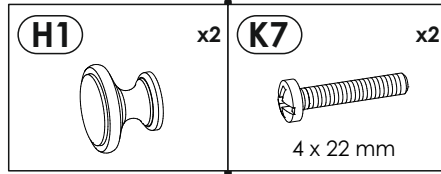
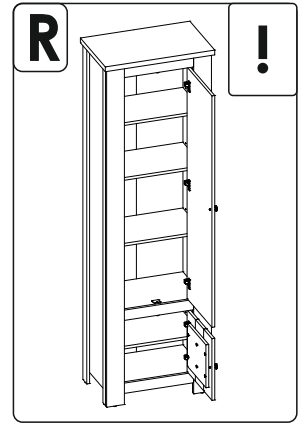
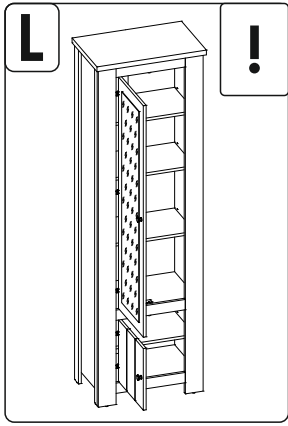
38 ▶



39 ▶



40 ▶



41 ▶

