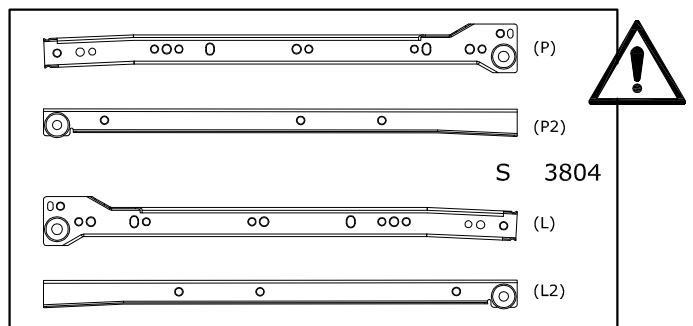
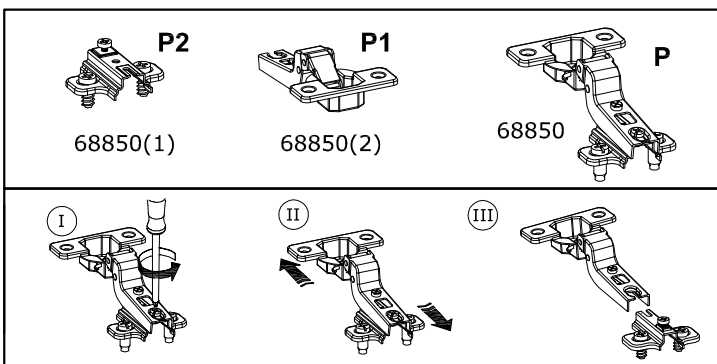
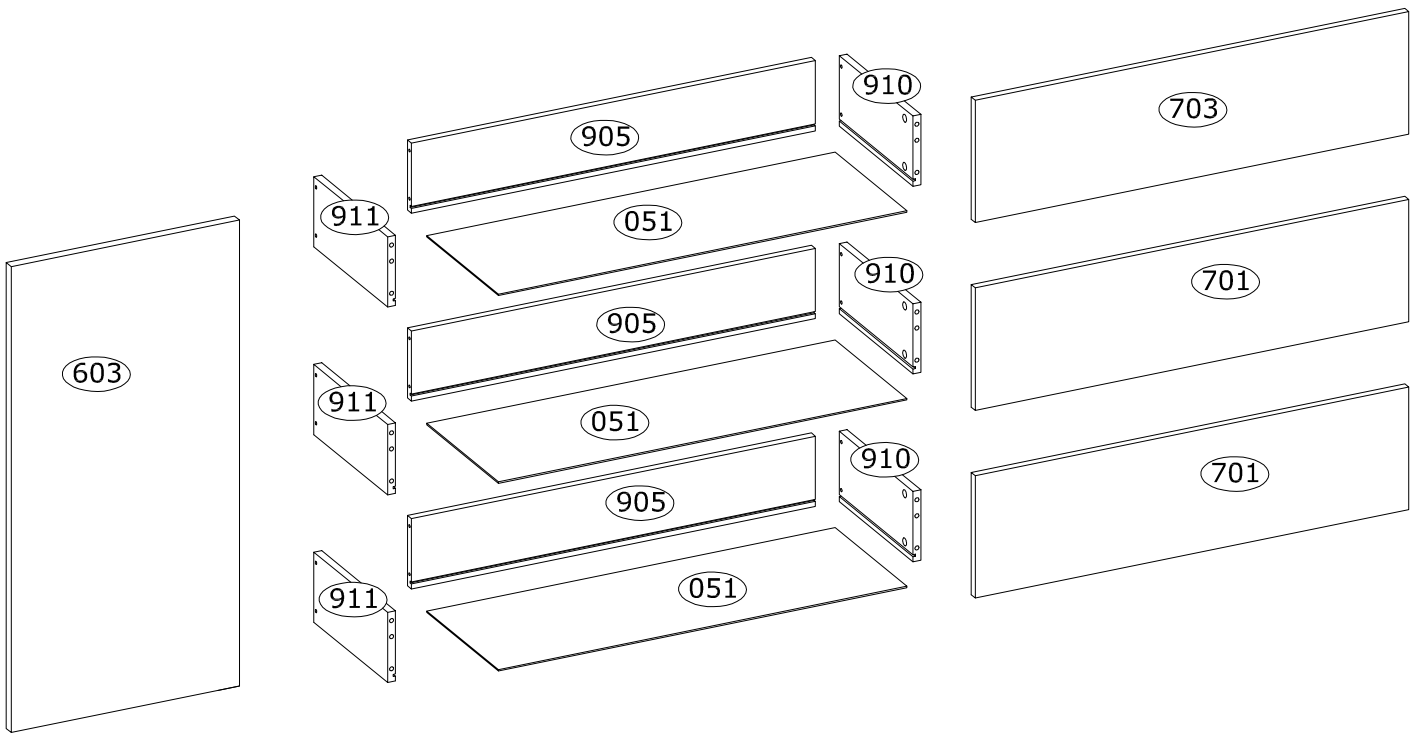
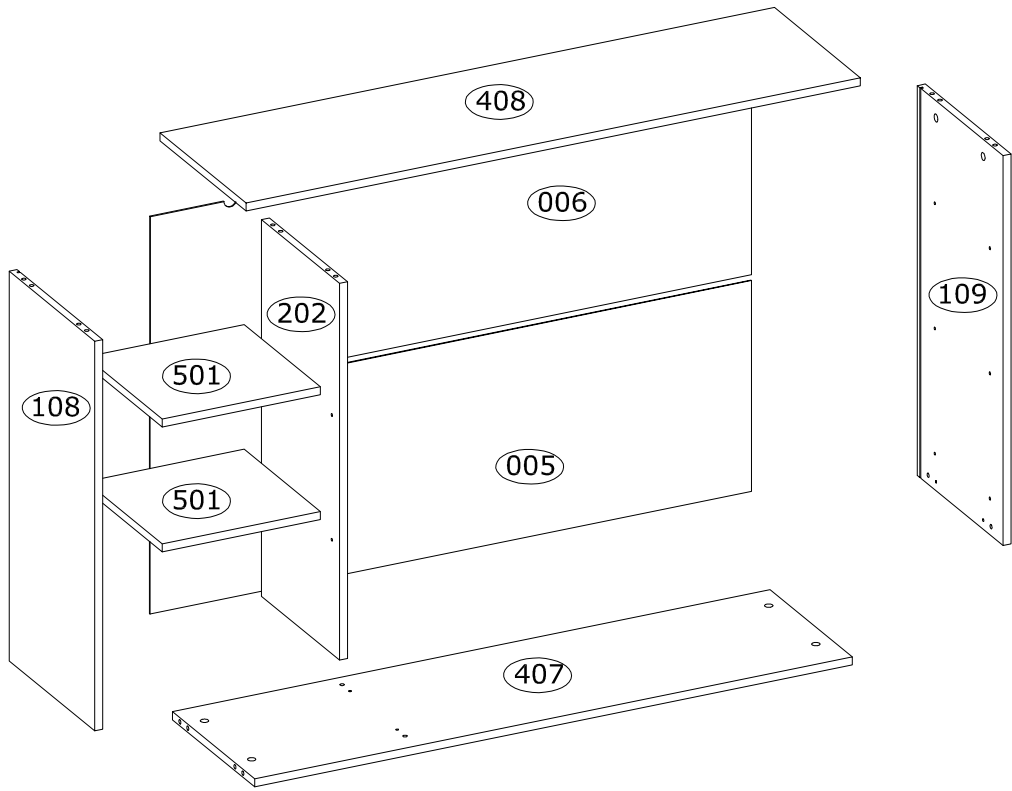




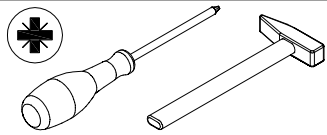
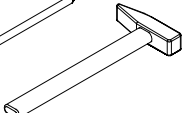


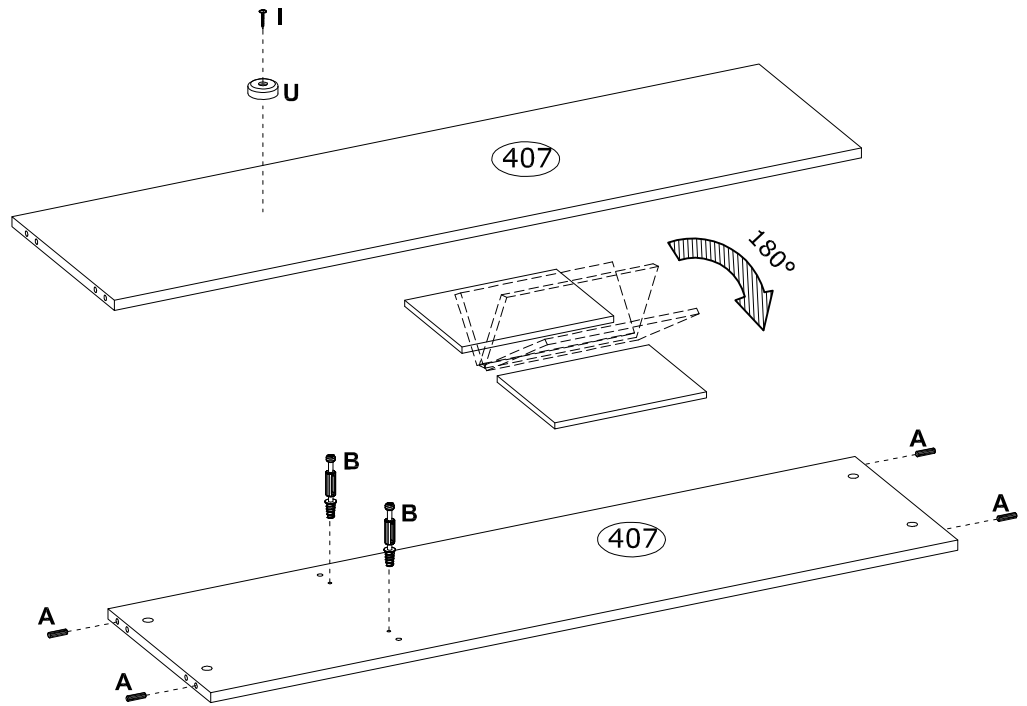
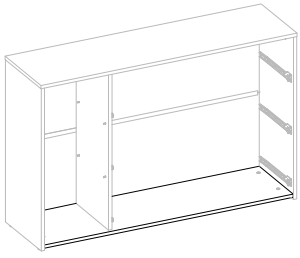
<b>A</b> Ø8x30 mm  x18 3989	<b>B</b> Ø6,5x36,5 mm  x24 4066	<b>C</b> Ø15x12 mm  x24 3996	<b>D</b> Ø20 mm  x8 136239	<b>E</b> Ø20 mm  x16 136239
<b>F</b> Ø5x16 mm  x8 4017	<b>G</b> Ø3,5x16 mm  x34 3918	<b>H</b> 6,0x13 mm  x12 3877	<b>I</b> Ø4,0x25 mm  x1 3892	<b>J</b> 15x14x11 mm  x10 4044
<b>K</b> Ø12x42 mm  x12 IN01157	<b>L</b> 75x15x32 mm  x2 71900	<b>M</b> 1,2x20 mm  x20 3975	<b>N</b>  x4 70313	<b>O</b> L- 334 mm  x3 80867
<b>P</b> Ø35 mm , KR15  x2 68850	<b>R</b> 27X34 L-120mm  x4 209928	<b>S</b> L- 350 mm  x3 3804		
<b>U</b> 44x15  x1 71141	<b>W</b> L- 1212 mm  x2 IN00378			



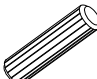


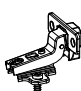
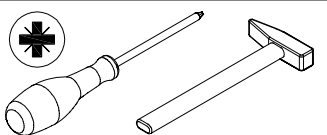
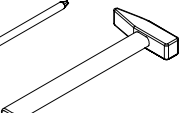
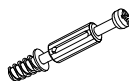


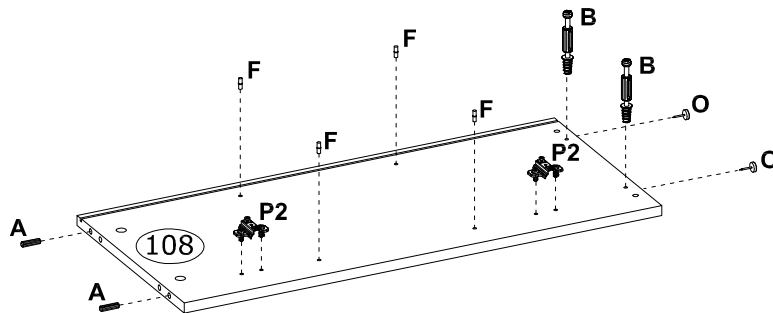
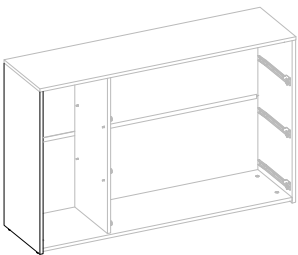
1

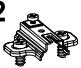

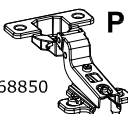
<b>A</b>	∅8x30 mm	<b>B</b>	∅6,5x36,5 mm	<b>U</b>	44x15	<b>I</b>	∅4,0x25 mm		
	x4 3989		x2 4066		x1 71141		x1 3892		



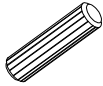
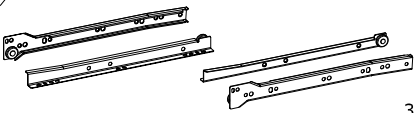

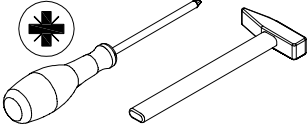
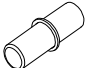
2

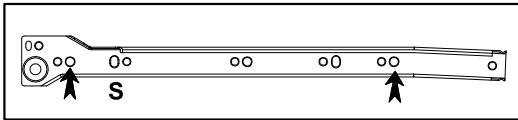
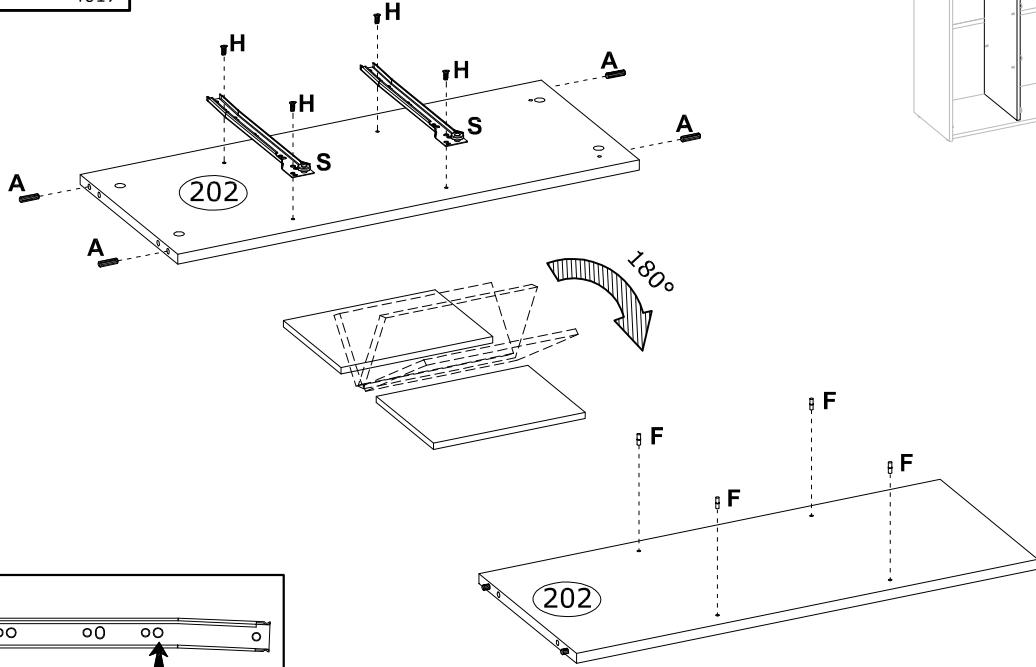
<b>A</b>	∅8x30 mm	<b>F</b>	∅5x16 mm	<b>O</b>		<b>P</b>	∅35 mm , KR15		
	x2 3989		x4 4017		x2 70313		x2 68850		
<b>B</b>	∅6,5x36,5 mm								
	x2 4066								



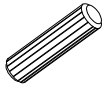
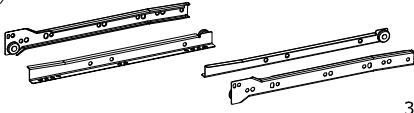

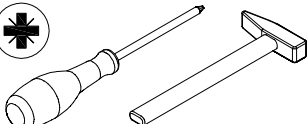

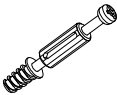
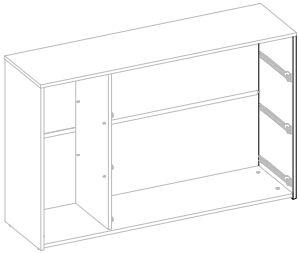
<b>P2</b>	<b>P1</b>	<b>P</b>
		
68850(1)	68850(2)	68850

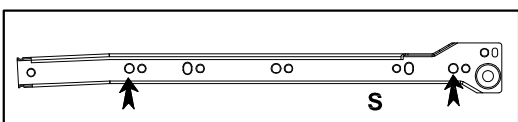
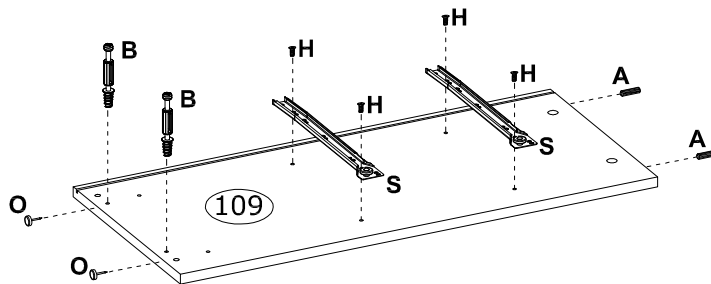
3

<p><b>A</b> Ø8x30 mm</p>  <p>x4 3989</p>	<p><b>S</b> L- 300 mm</p>  <p>x2 3802</p>	<p><b>H</b> 6,0x13 mm</p>  <p>x4 3877</p>	
<p><b>F</b> Ø5x16 mm</p>  <p>x4 4017</p>			



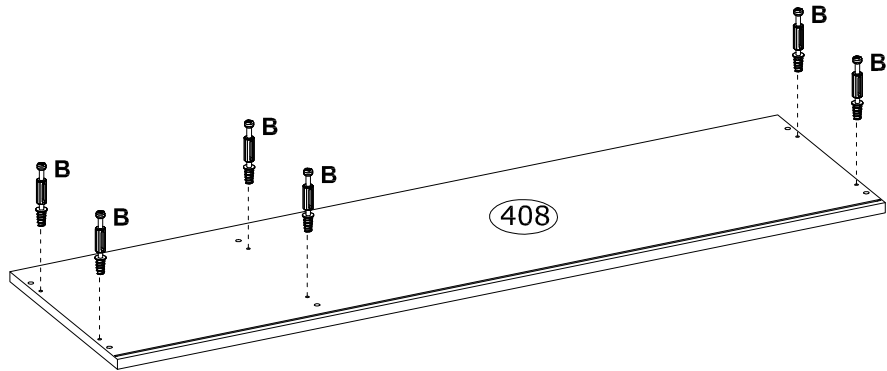
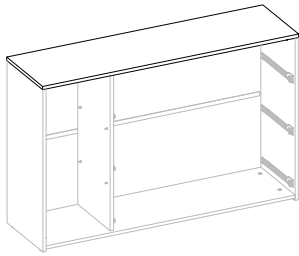
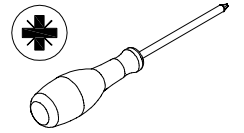
4

<p><b>A</b> Ø8x30 mm</p>  <p>x2 3989</p>	<p><b>S</b> L- 300 mm</p>  <p>x2 3802</p>	<p><b>H</b> 6,0x13 mm</p>  <p>x4 3877</p>	
<p><b>O</b></p>  <p>x2 70313</p>	<p><b>B</b> Ø6,5x36,5 mm</p>  <p>x2 4066</p>		



5

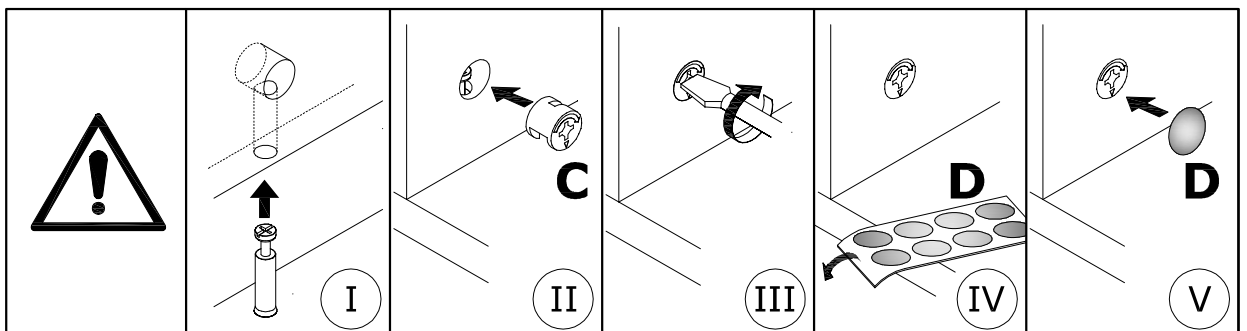
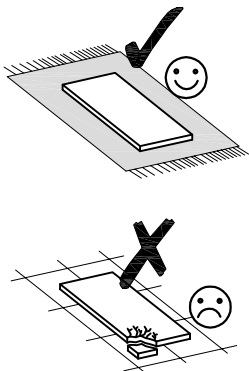
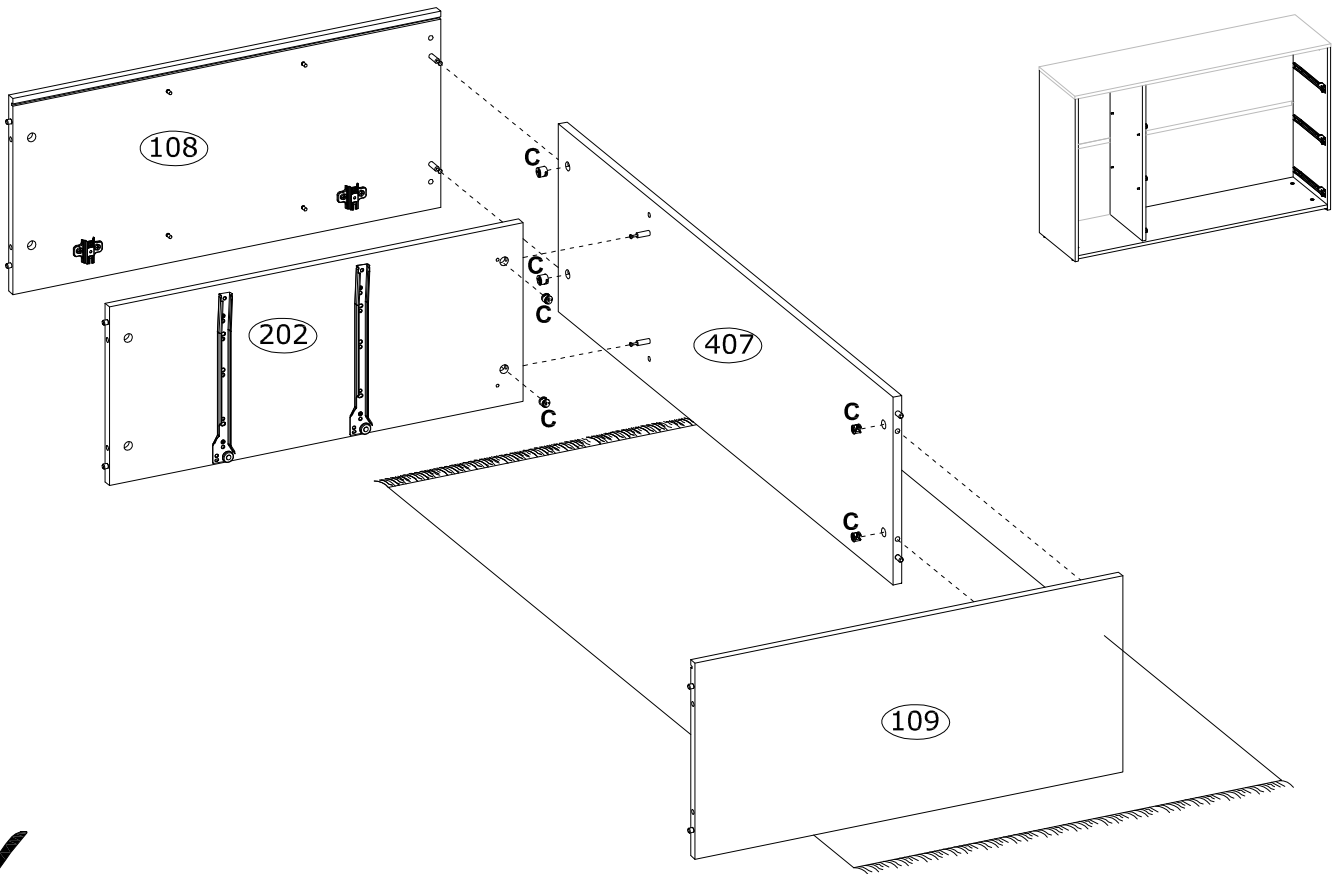
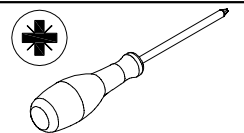
**B** Ø6,5x36,5 mm  
x6  
4066



6

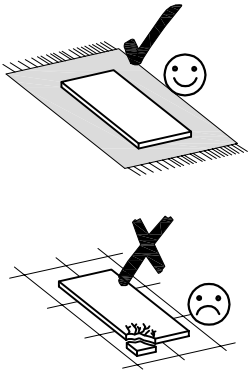
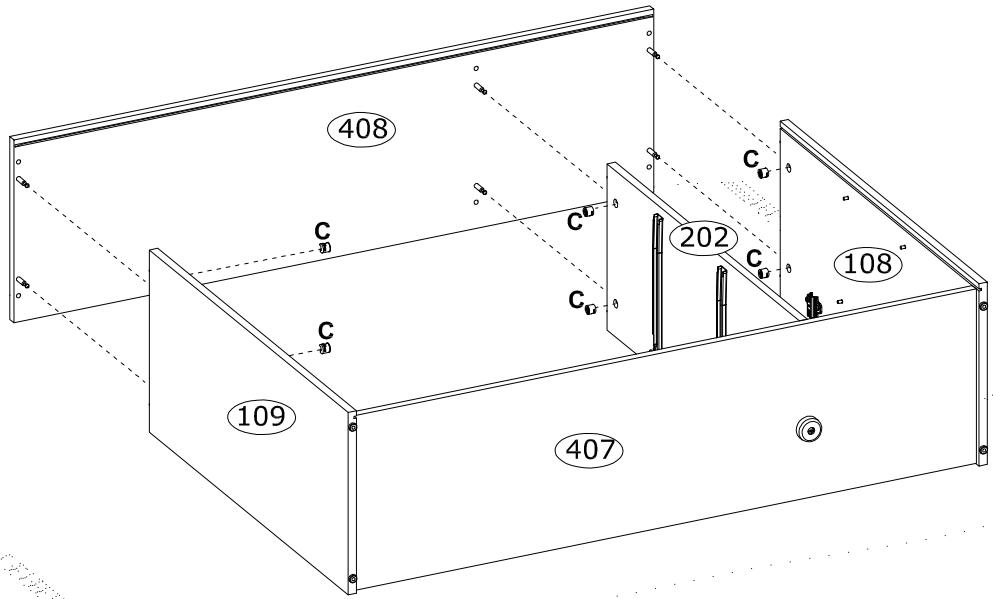
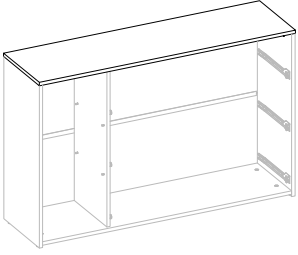
**C** Ø15x12 mm  
x6  
3996

**D** Ø20 mm  
x8  
136239



7

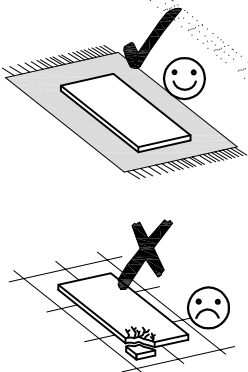
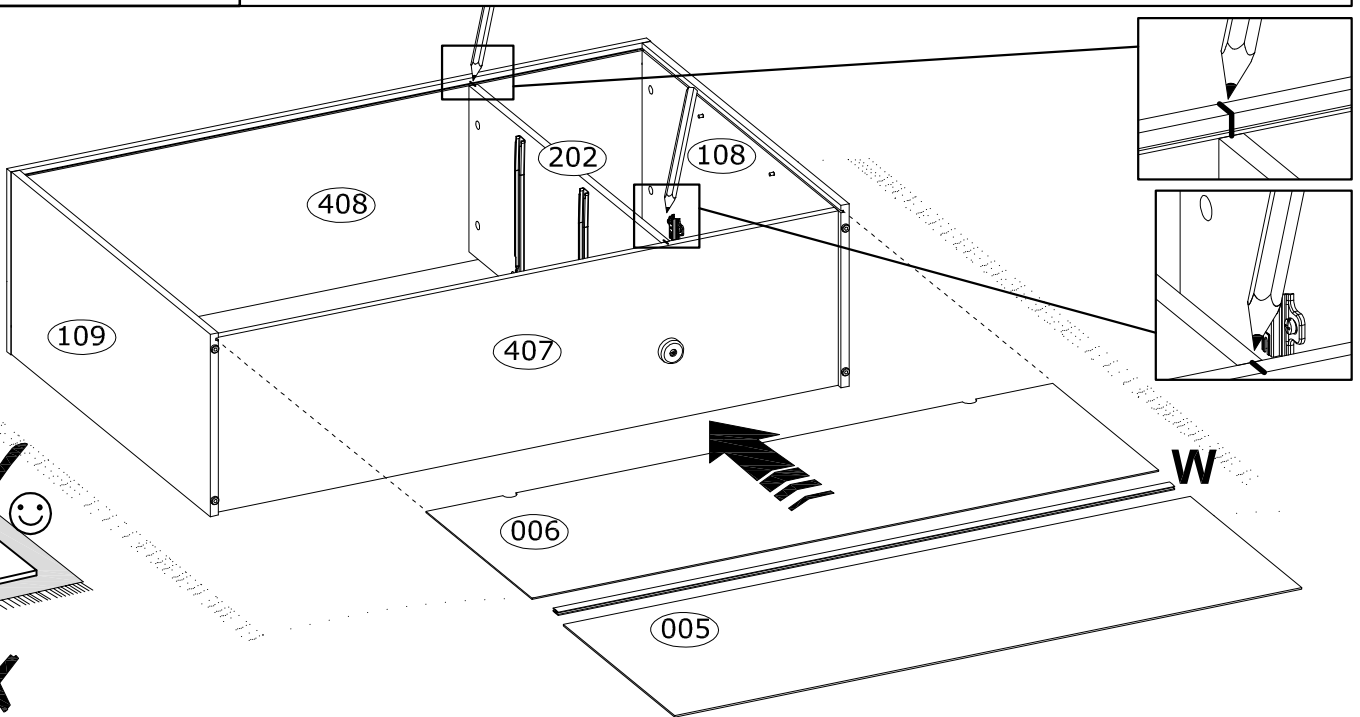
<p><b>C</b> <math>\varnothing 15 \times 12</math> mm</p>  <p>x6 3996</p>	<p><b>D</b> <math>\varnothing 20</math> mm</p>  <p>x8 136239</p>	
---------------------------------------------------------------------------------------------------------------------------------------------------------------	-------------------------------------------------------------------------------------------------------------------------------------------------------	------------------------------------------------------------------------------------



	<p>I</p>	<p>II</p>	<p>III</p>	<p>IV</p>	<p>V</p>
--	----------	-----------	------------	-----------	----------


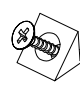
8

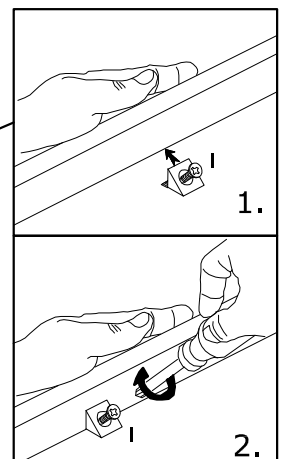
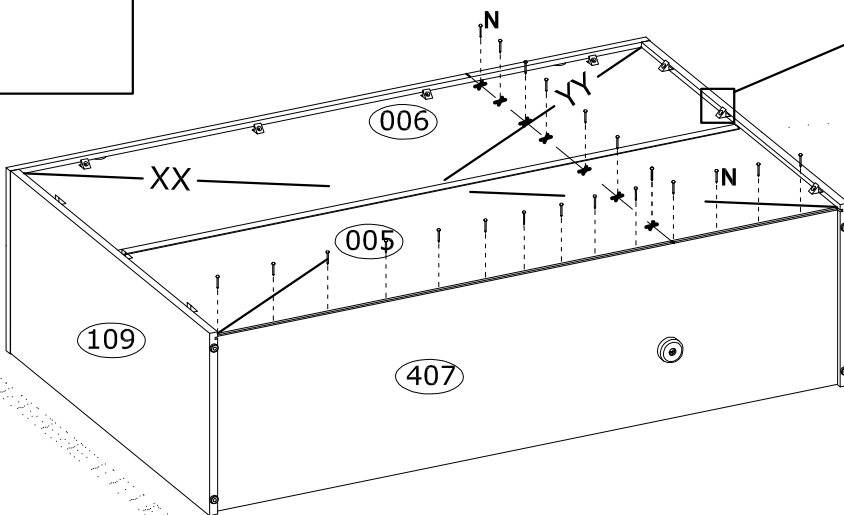
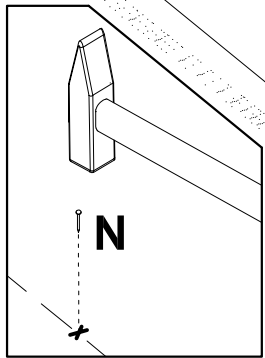
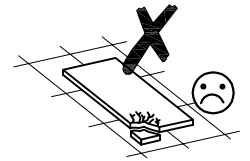
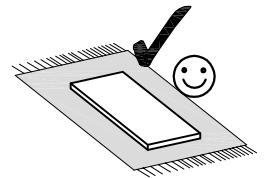
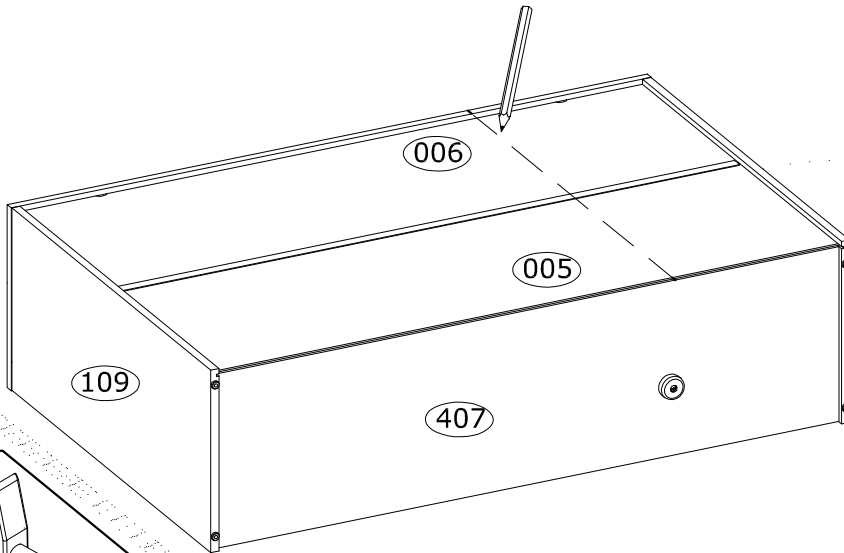
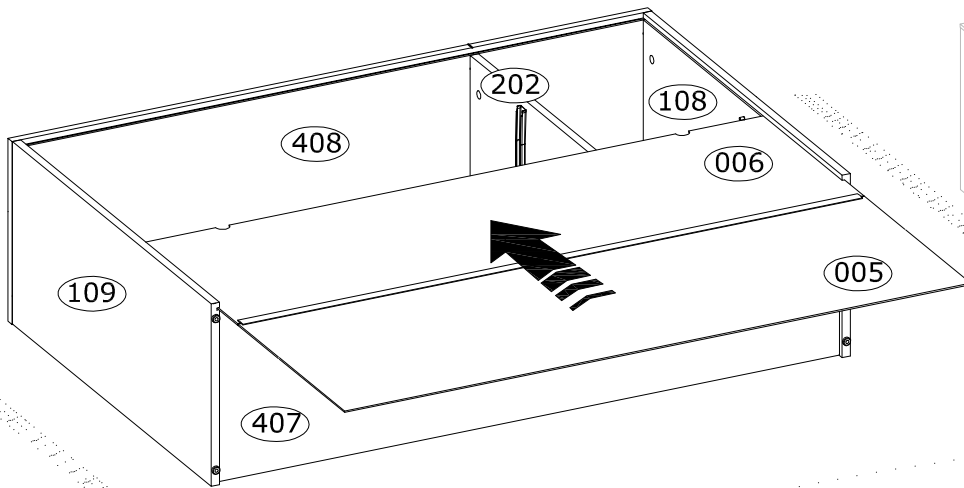
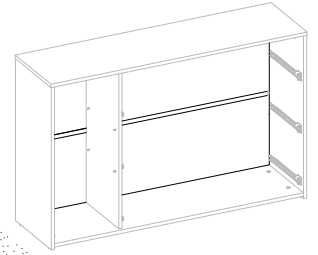
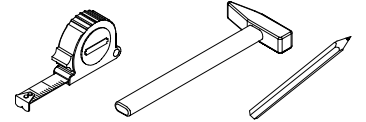
<p><b>W</b> L- 1212 mm</p>  <p>x1 IN00378</p>	
--------------------------------------------------------------------------------------------------------------------------------------	---------------------------------------------------------------------------------------



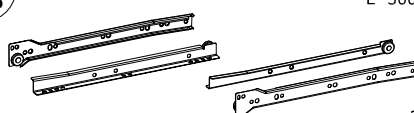

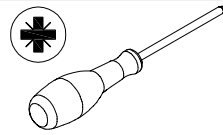


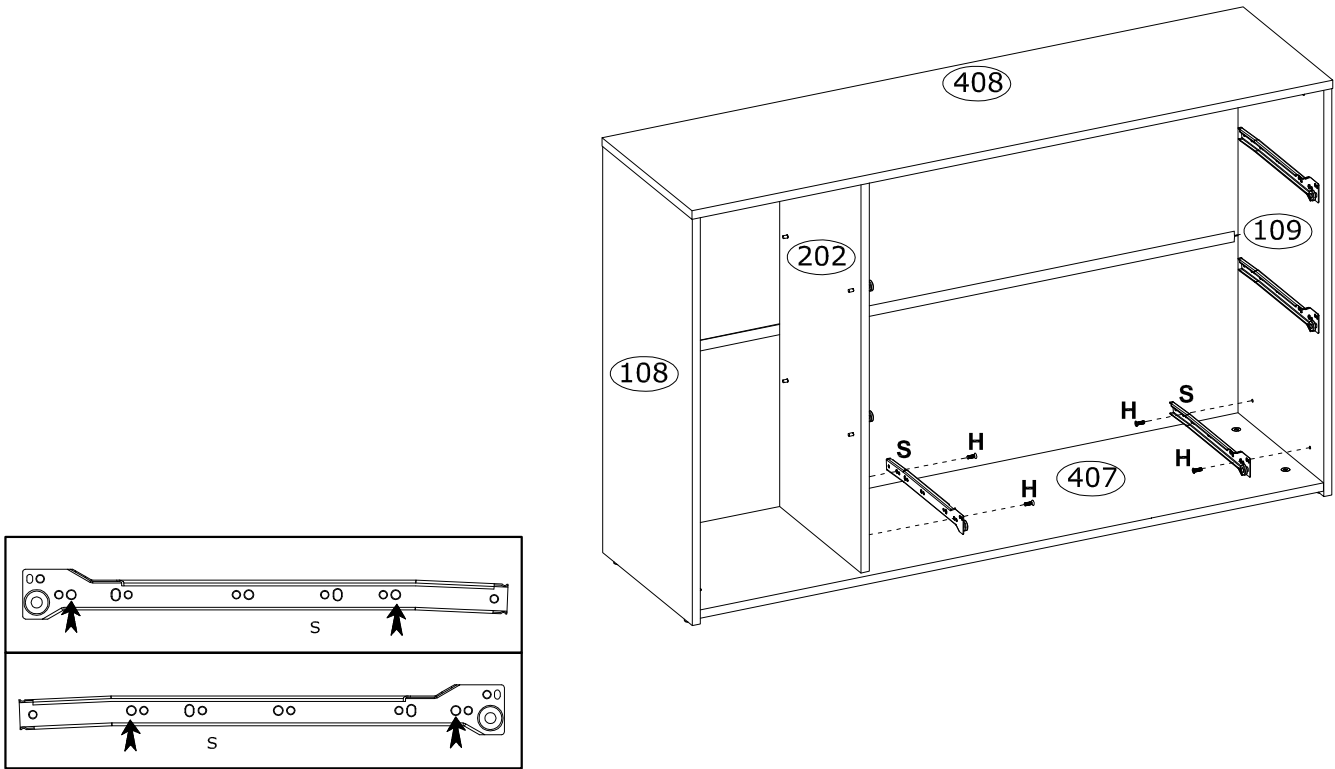
9

<b>N</b>	1,2X20 mm	<b>K</b>	15x14x11 mm
	x20 3975		x10 4044



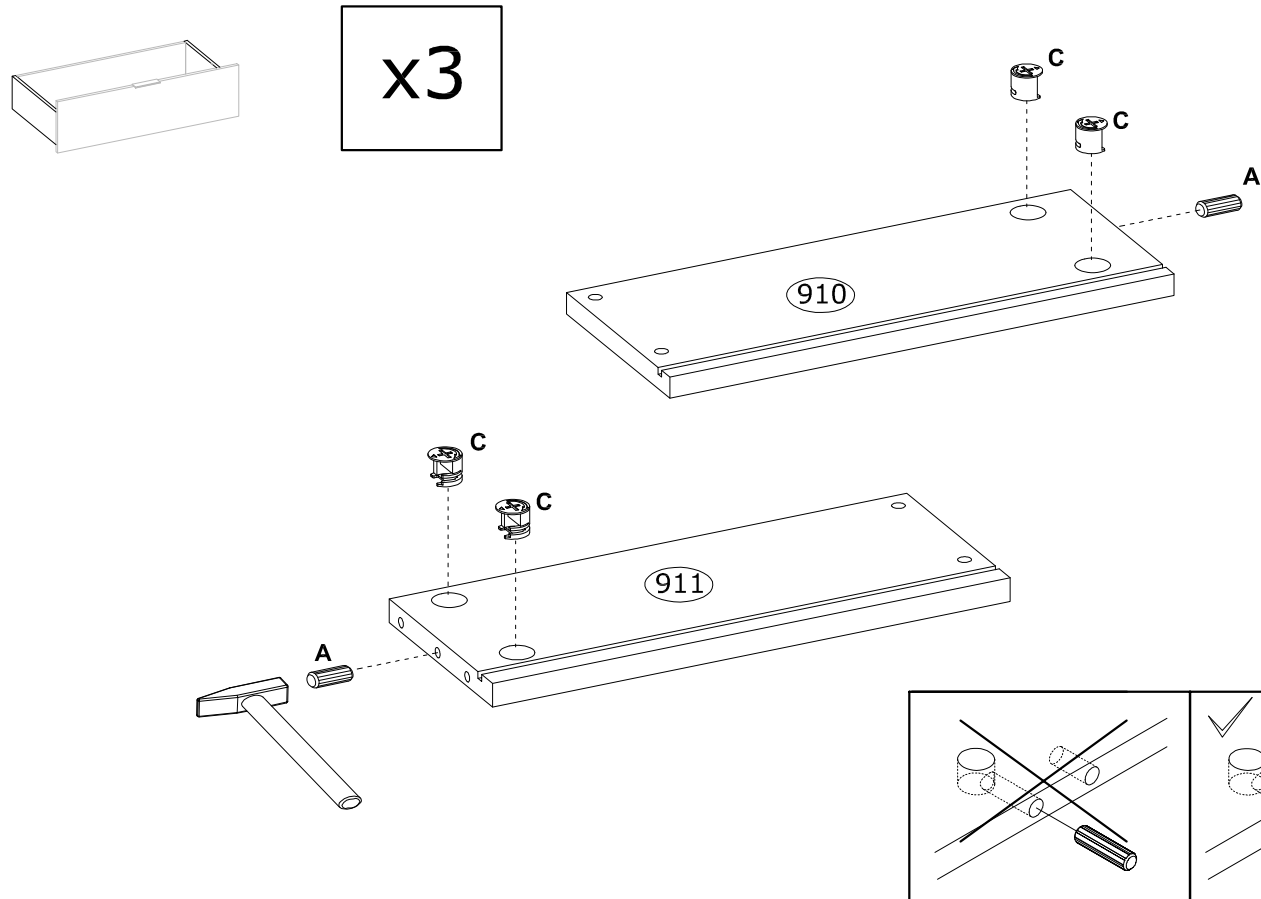
10

<b>S</b>  L- 300 mm x1 3802	<b>H</b>  6,0x13 mm x4 3877	
-------------------------------------------------------------------------------------------------------------------------	--------------------------------------------------------------------------------------------------------------------------	------------------------------------------------------------------------------------



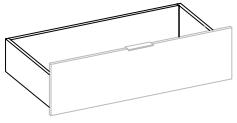
11

<b>C</b>  Ø15x12 mm x12 3996	<b>A</b>  Ø8x30 mm x6 3989	
-----------------------------------------------------------------------------------------------------------------------------	---------------------------------------------------------------------------------------------------------------------------	---------------------------------------------------------------------------------------

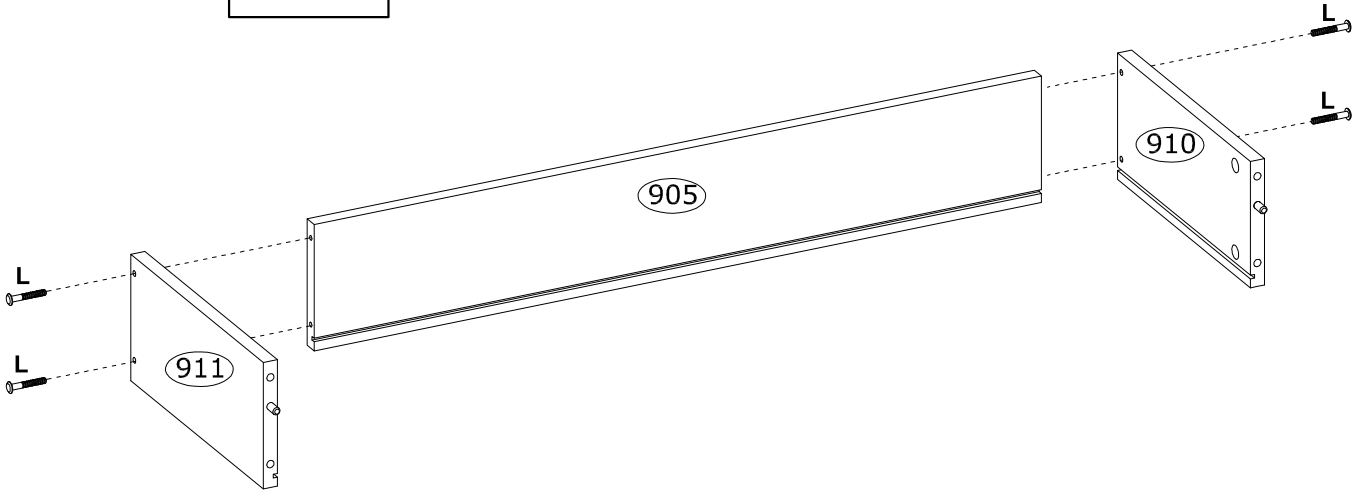


12

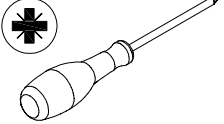



<b>L</b>	$\varnothing 12 \times 42$ mm		
	<b>x12</b> IN01157		

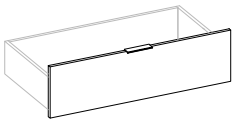


x3

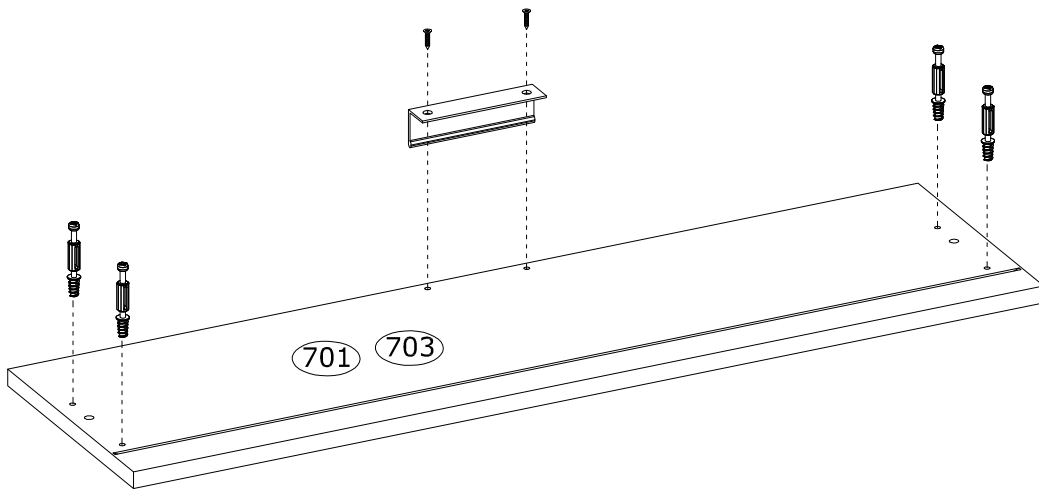


13

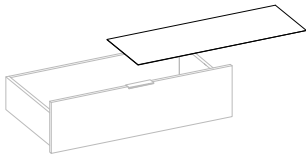
<b>B</b>	$\varnothing 6,5 \times 36,5$ mm	<b>R</b>	27X34 L-120mm	<b>G</b>	$\varnothing 3,5 \times 16$ mm		
	<b>x12</b> 4066		<b>x3</b> 209928		<b>x6</b> 3918		



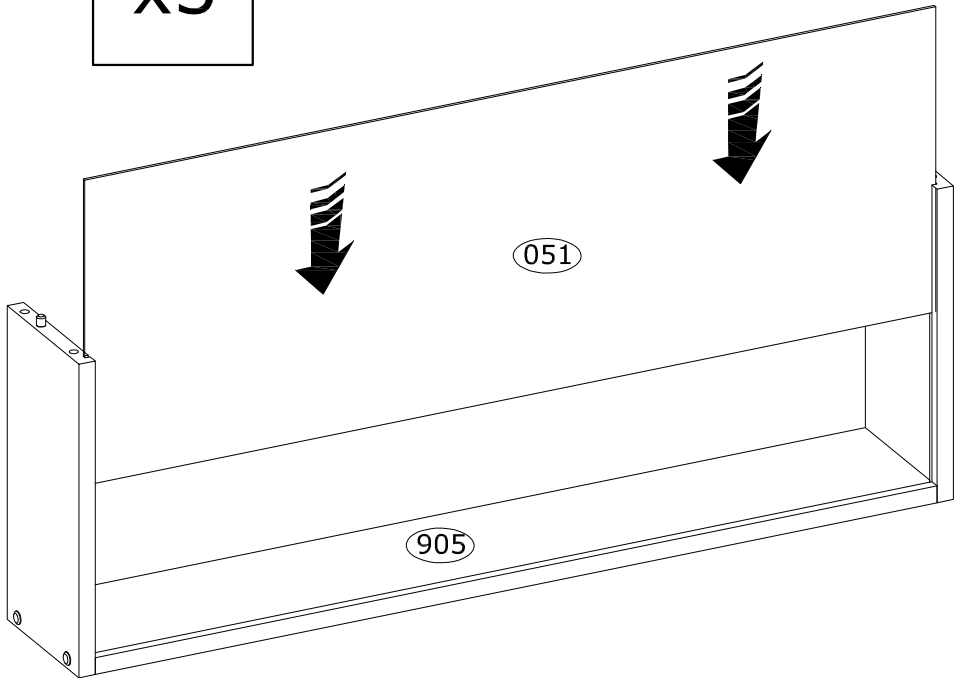
x3



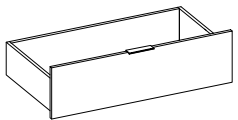
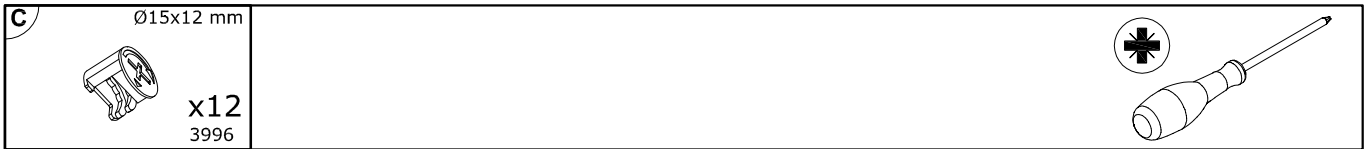
14



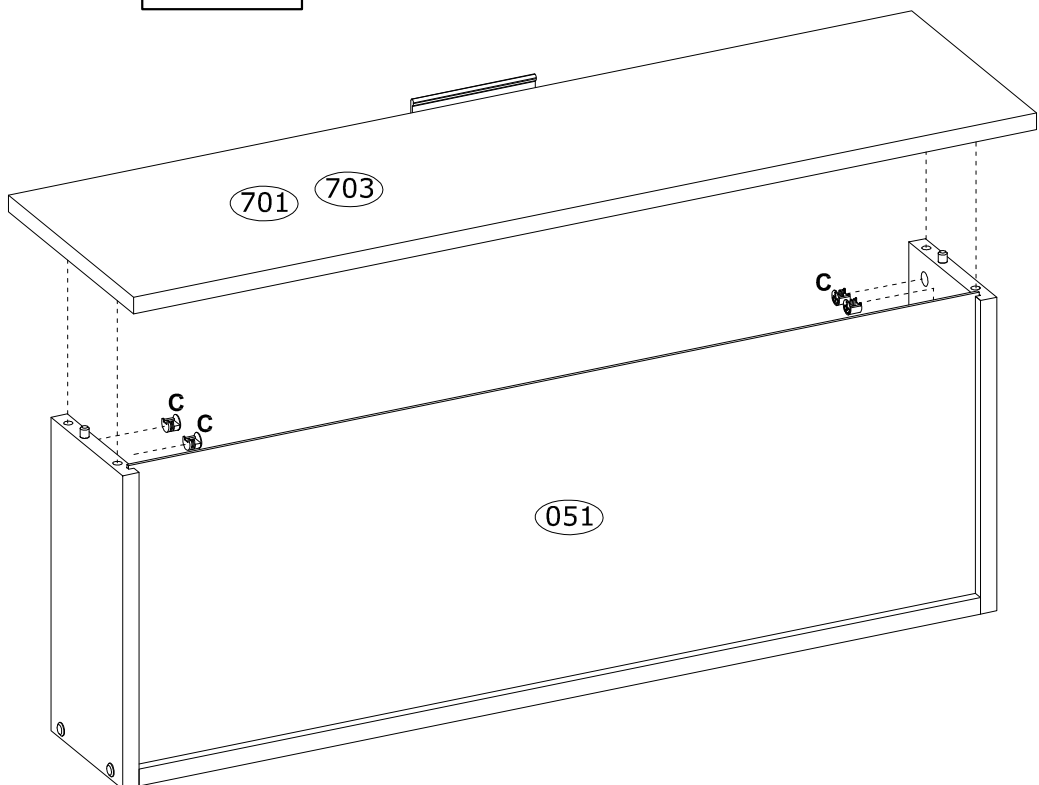
x3



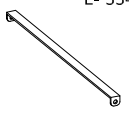

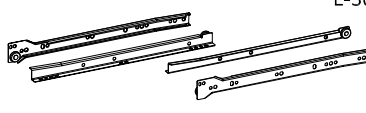

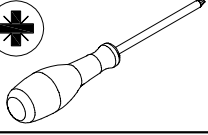
15

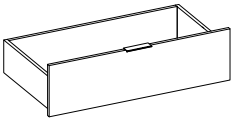


x3

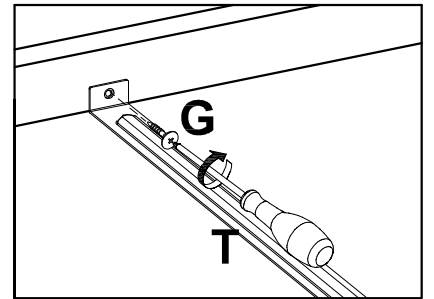
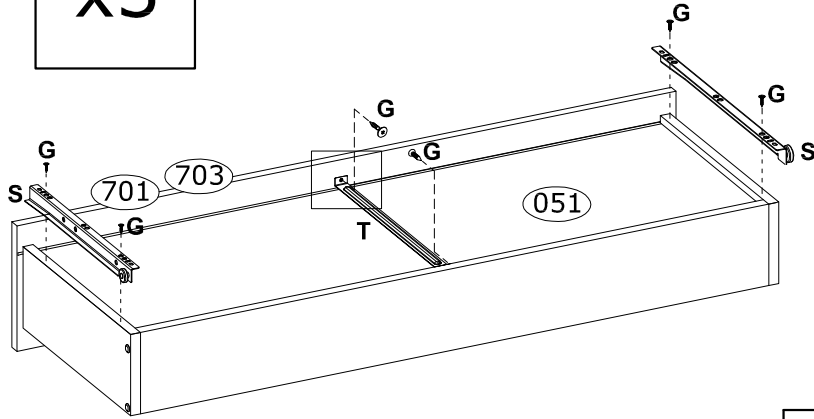


16


<b>T</b> L- 334 mm  x3 80867	<b>G</b> Ø3,5x16 mm  x18 3918	<b>S</b> L-300mm  x3 kpl 3802	 
--------------------------------------------------------------------------------------------------------------------------	----------------------------------------------------------------------------------------------------------------------------	----------------------------------------------------------------------------------------------------------------------------	--------------------------------------------------------------------------------------------------------------------------------------------------------------------------

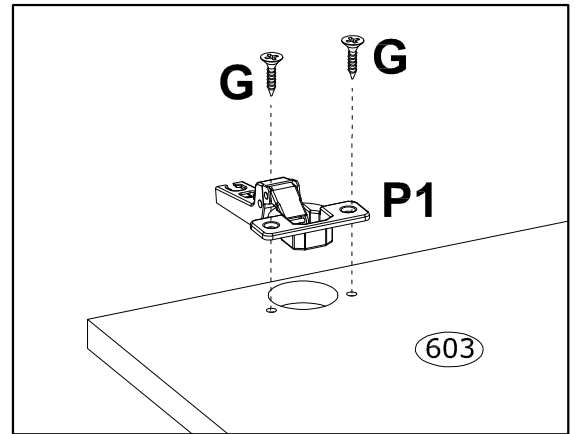
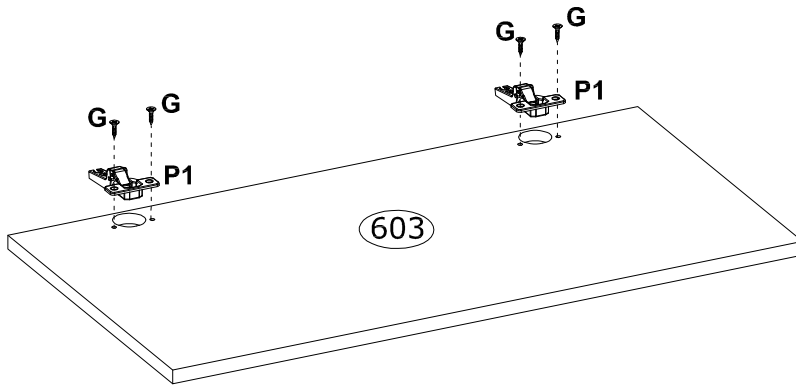


x3





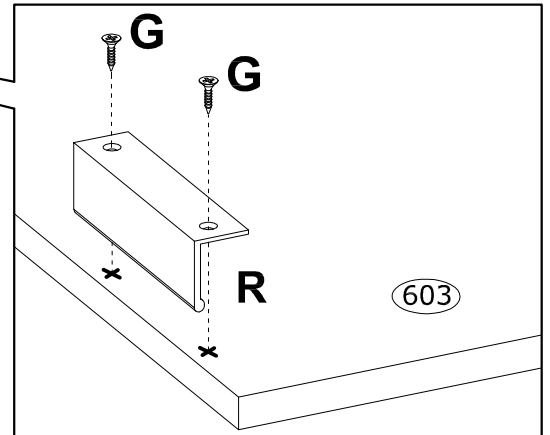
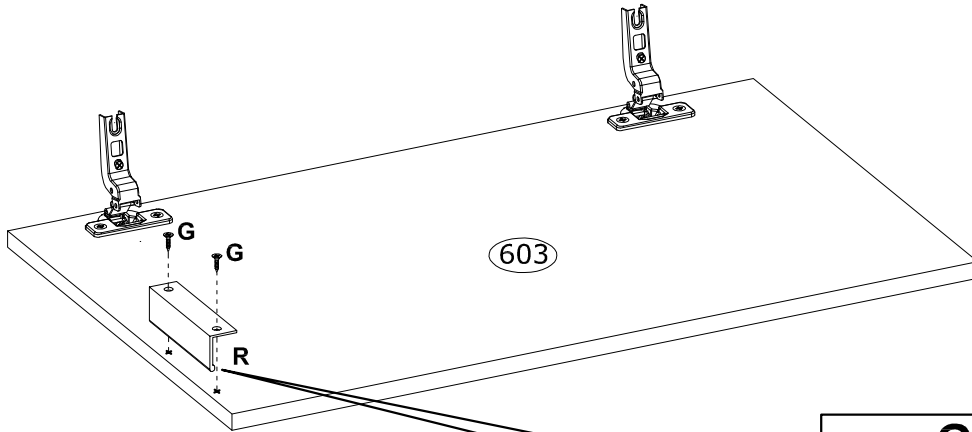
17

<b>P</b> Ø35 mm , KR15  x2 68850	<b>G</b> Ø3,5x16 mm  x4 3918	 
---------------------------------------------------------------------------------------------------------------------------------	-----------------------------------------------------------------------------------------------------------------------------	--------------------------------------------------------------------------------------------------------------------------------------------------------------------------------

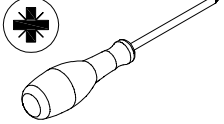


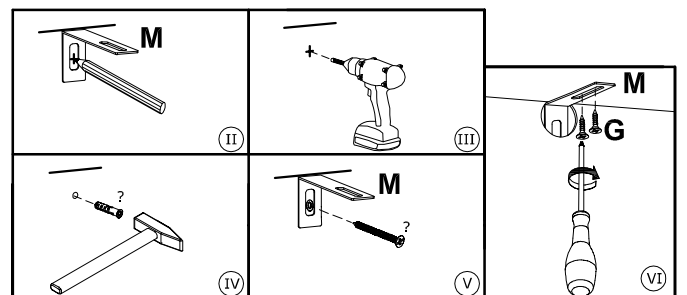
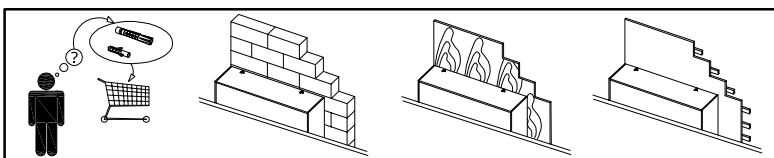
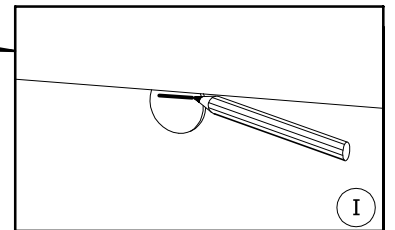
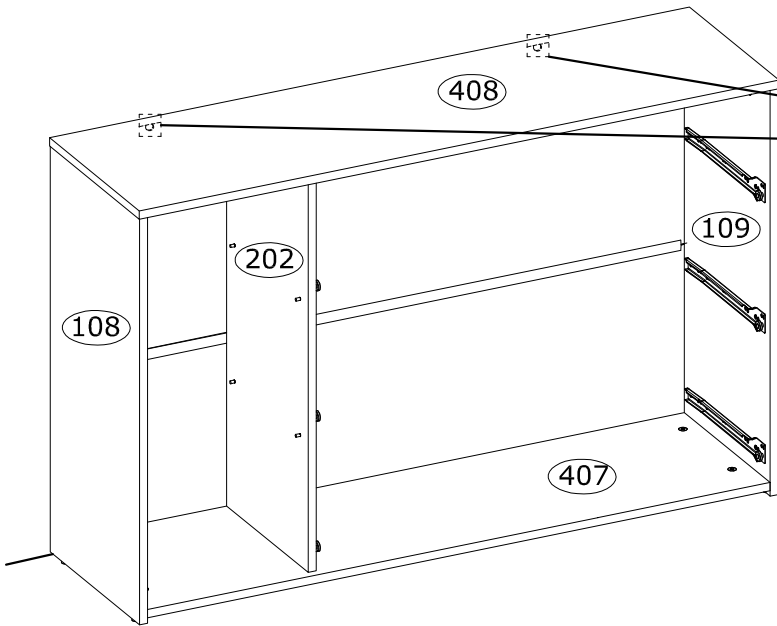
18

<b>R</b> 27X34 L-120mm  x1 209928	<b>G</b> Ø3,5x16 mm  x2 3918	
--------------------------------------------------------------------------------------------------------------------------------	---------------------------------------------------------------------------------------------------------------------------	------------------------------------------------------------------------------------

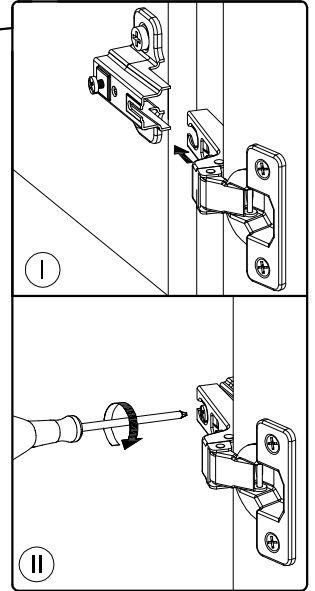
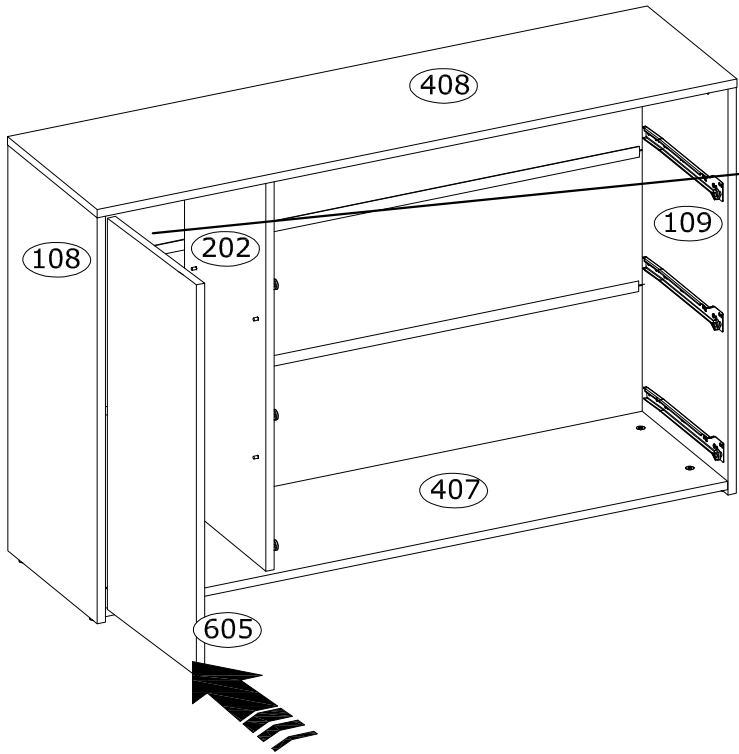
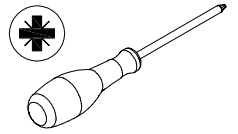


19

<b>M</b> 75x15x32 mm  x2 71900	<b>G</b> Ø3,5x16 mm  x4 3918	
-------------------------------------------------------------------------------------------------------------------------------	-----------------------------------------------------------------------------------------------------------------------------	---------------------------------------------------------------------------------------



20



21

