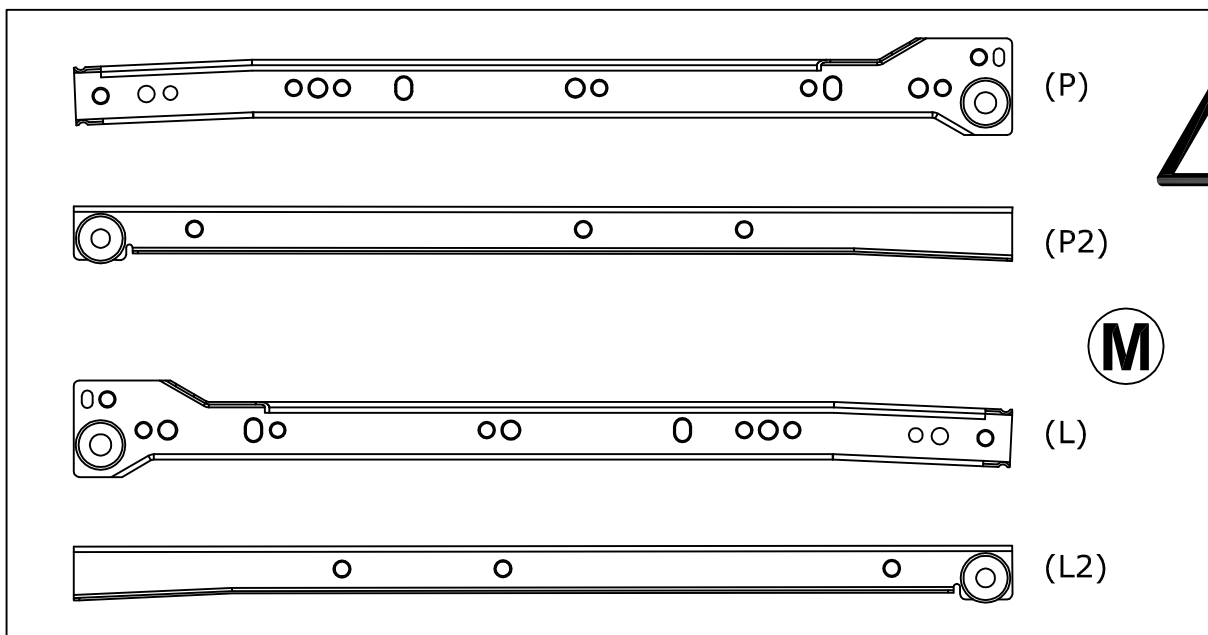


<b>A</b> Ø8x30 mm  x14 3989	<b>B</b> Ø6,5x36,5 mm  x20 4066	<b>C</b> Ø15x12 mm  x20 3996	<b>D</b> Ø20 mm  x12 136239	<b>E</b>  x4 70313
<b>F</b> L- 760 mm  x1 164523	<b>G</b> Ø3,5x16 mm  x26 3918	<b>H</b> Ø12x42 mm  x12 IN01157	<b>I</b> 6,0x13 mm  x12 3877	<b>J</b> 75x15x32 mm  x1 71900
<b>K</b> 27X34 L-120mm  x3 209928	<b>L</b> L- 334 mm  x3 80867	<b>M</b> L- 350 mm  x3 3804	<b>N</b> 1,2X20 mm  x15 3975	
<b>O</b> 15x14x11 mm  x8 4044				



**M**

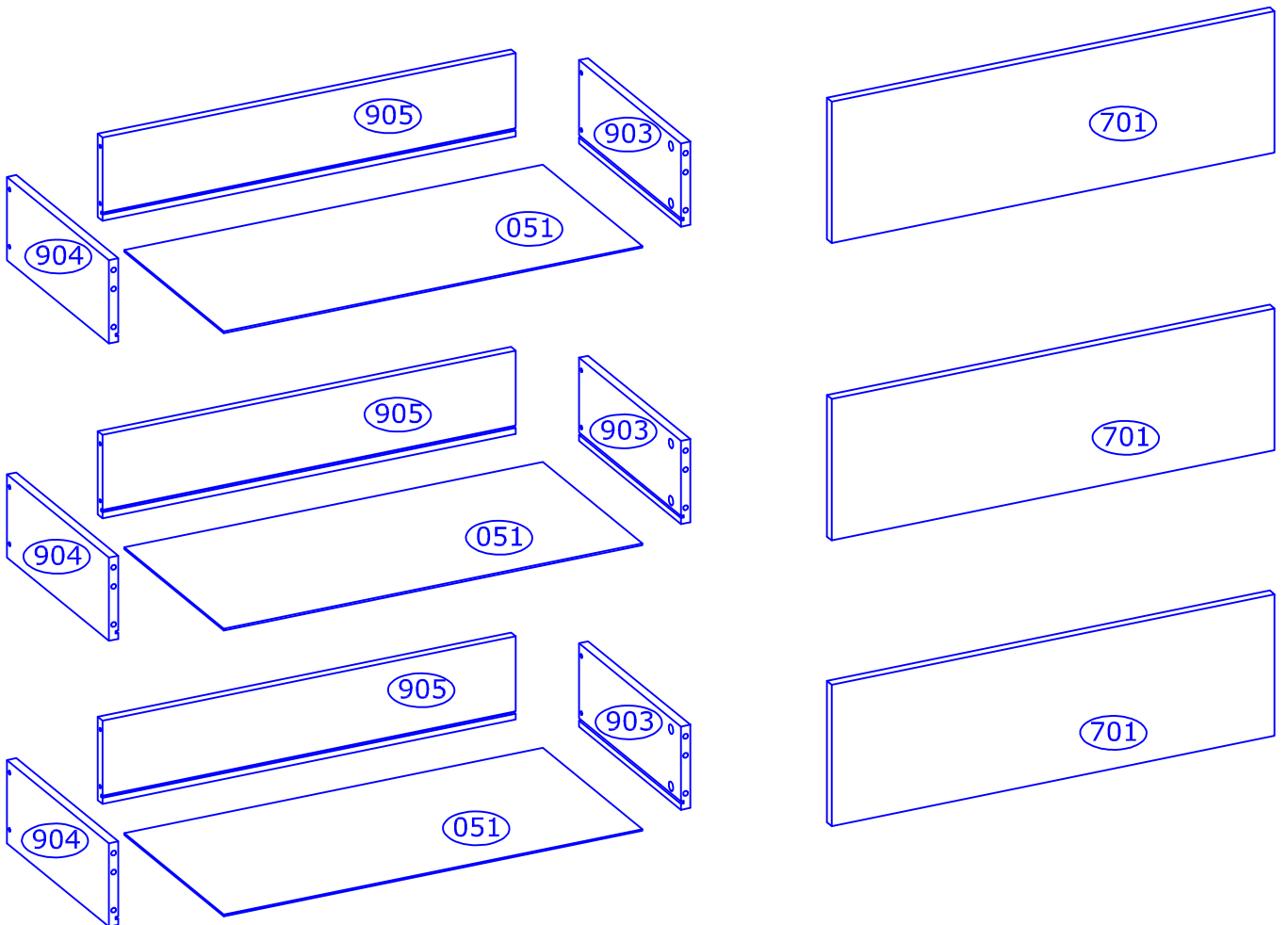
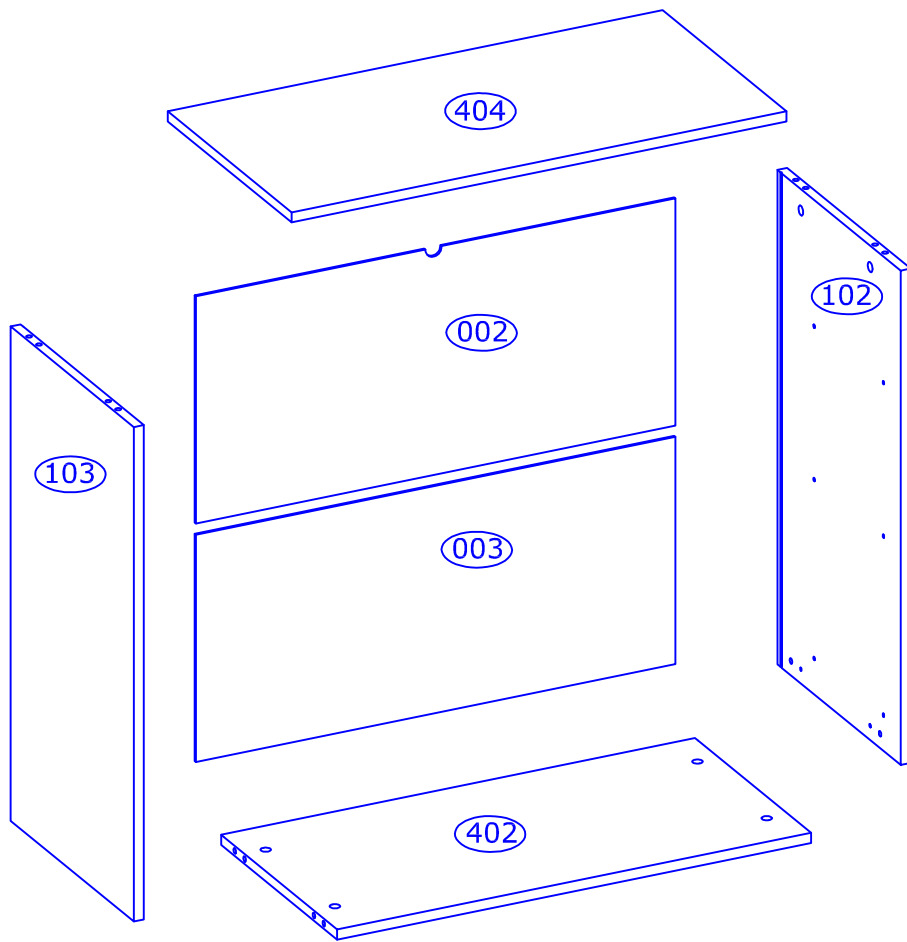
(P)

(P2)



(L)

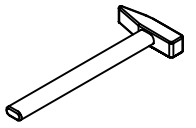
(L2)

0  
10  
20  
30  
40  
50  
60  
70  
80  
90  
100  
110  
120  
130  
140  
150  
160  
170  
180  
190  
200

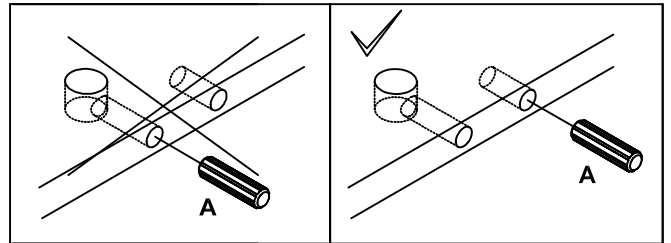
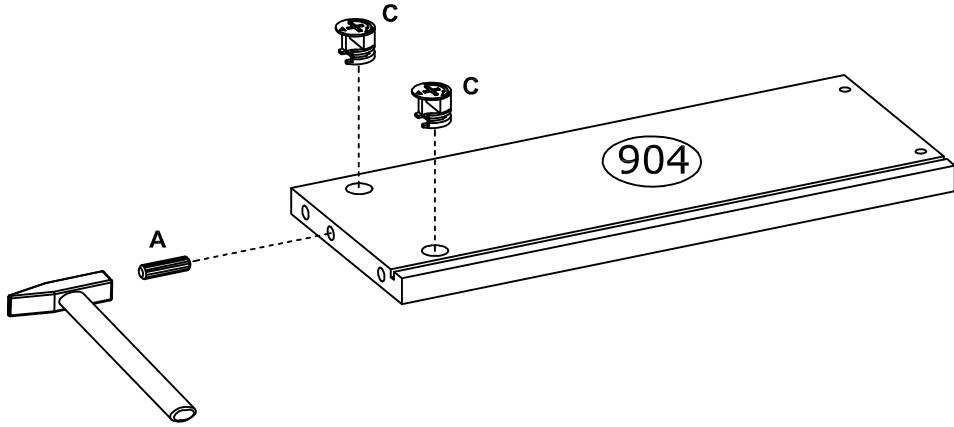


1



<b>A</b>	Ø8x30 mm	<b>C</b>	Ø15x12 mm
	x3 3989		x6 3996

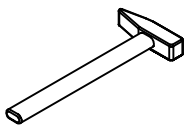


3x

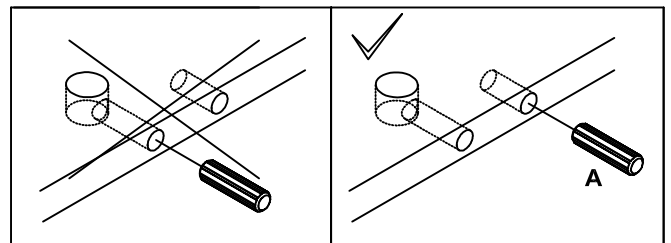
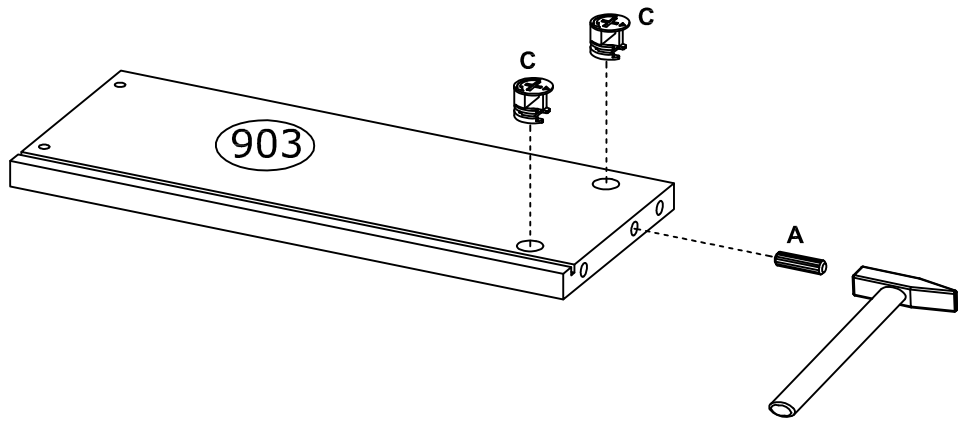


2

<b>A</b>	Ø8x30 mm	<b>C</b>	Ø15x12 mm
	x3 3989		x6 3996

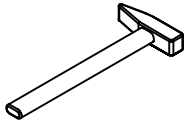


3x

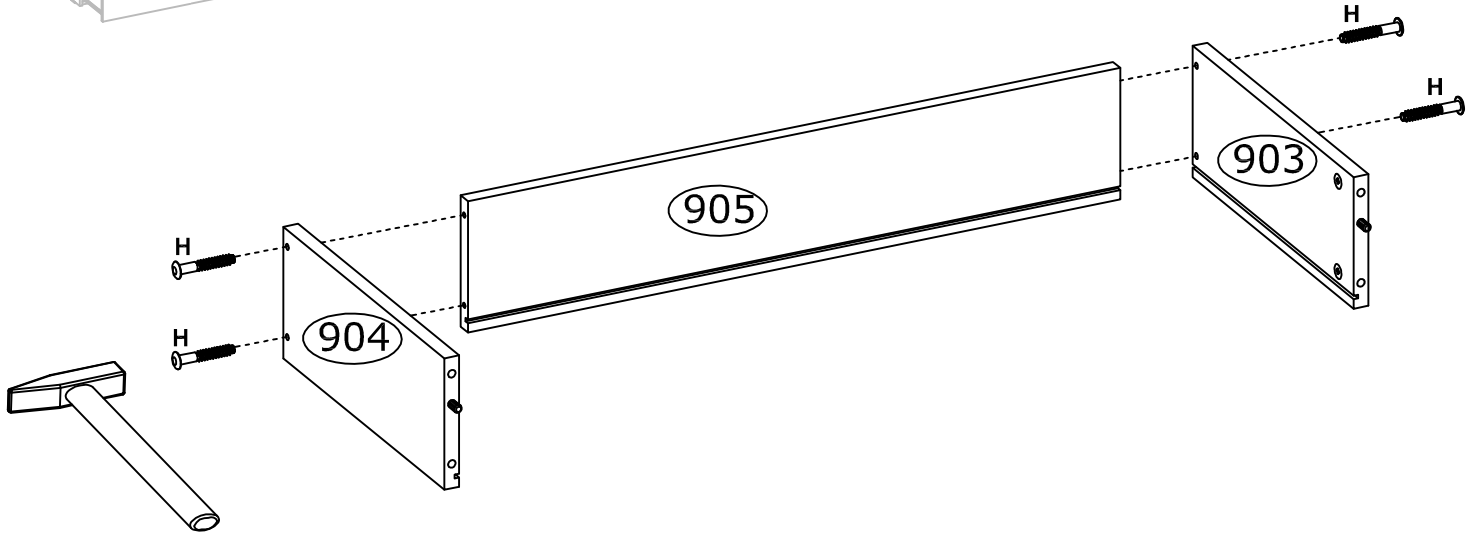


3

H  
Ø12x42 mm  
x12  
IN01157



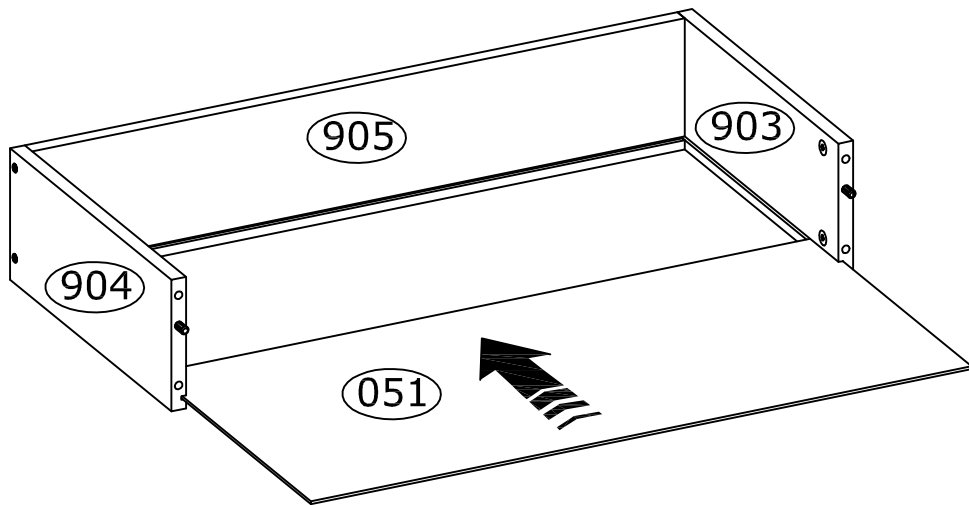
3x



4

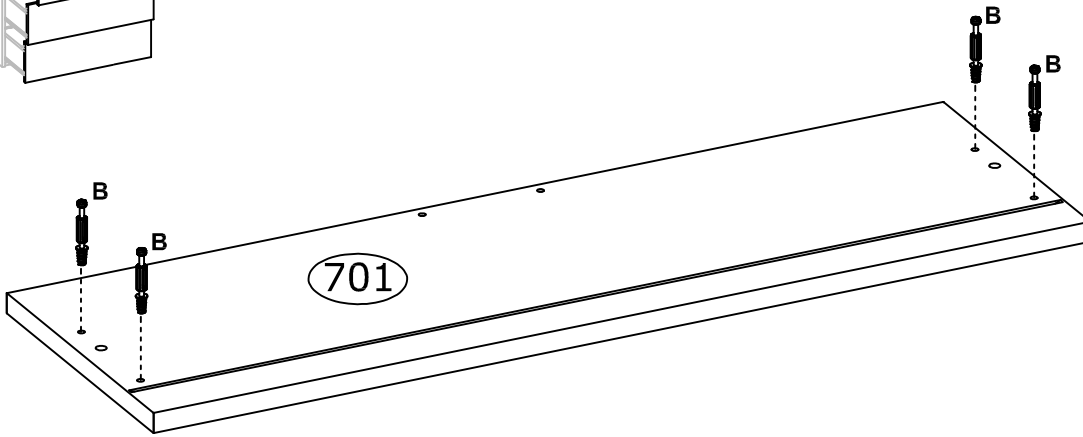
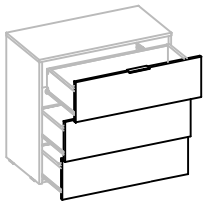
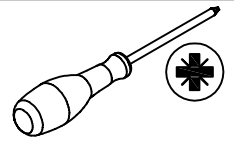


3x

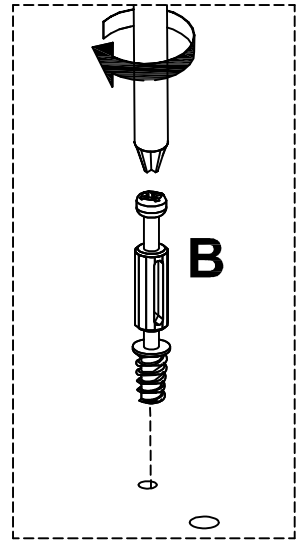


5

**B**  
Ø6,5x36,5 mm  
x12  
4066

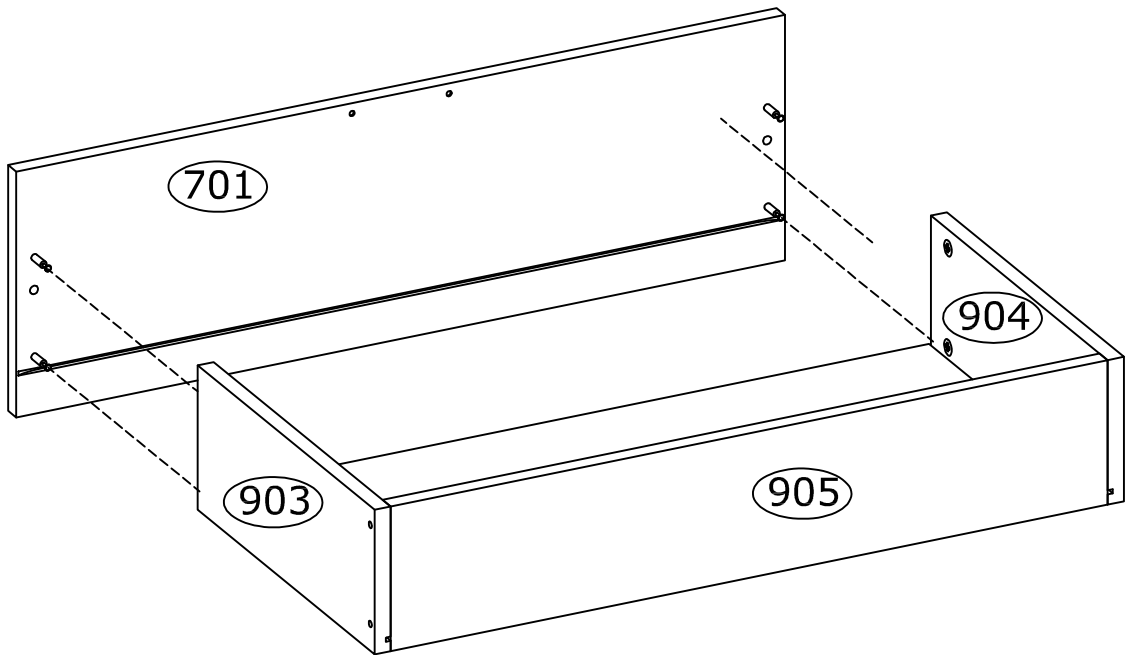
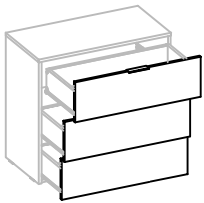
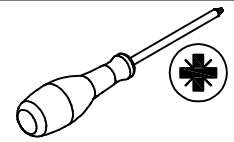


3x

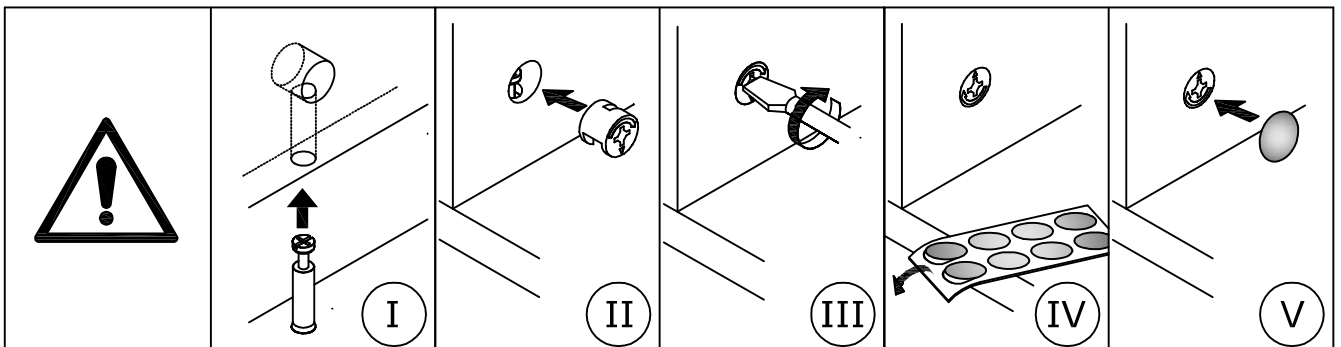


6

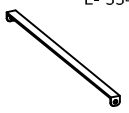

**D**  
Ø20 mm  
x12  
136239

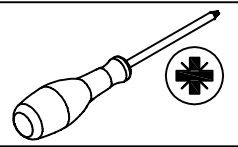


3x

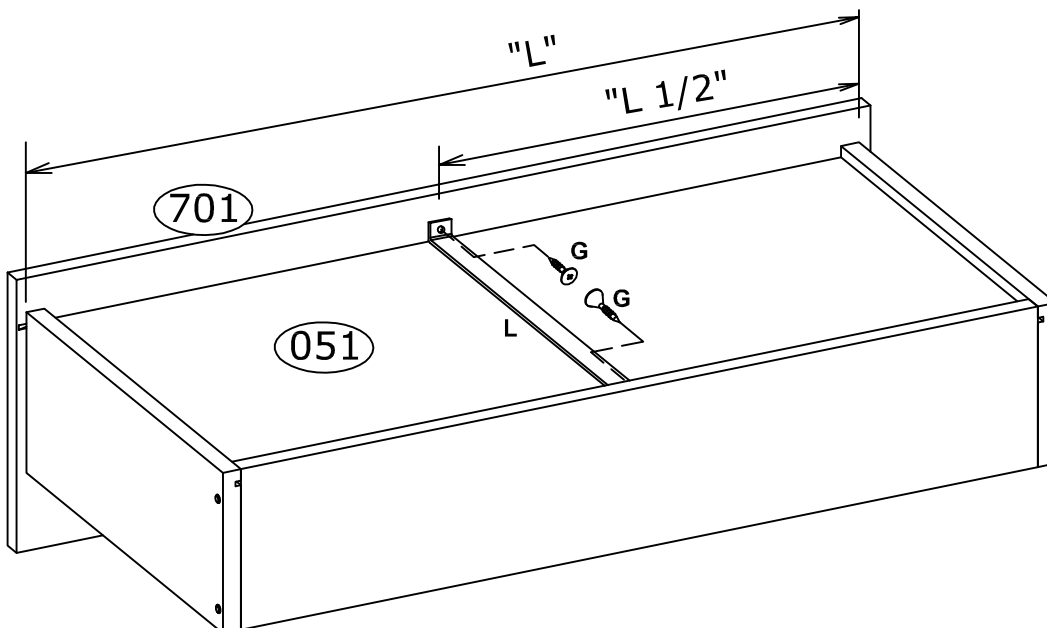
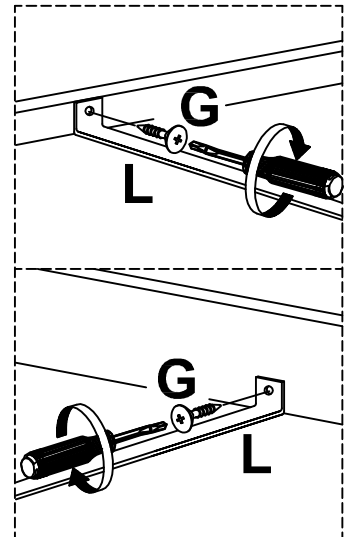
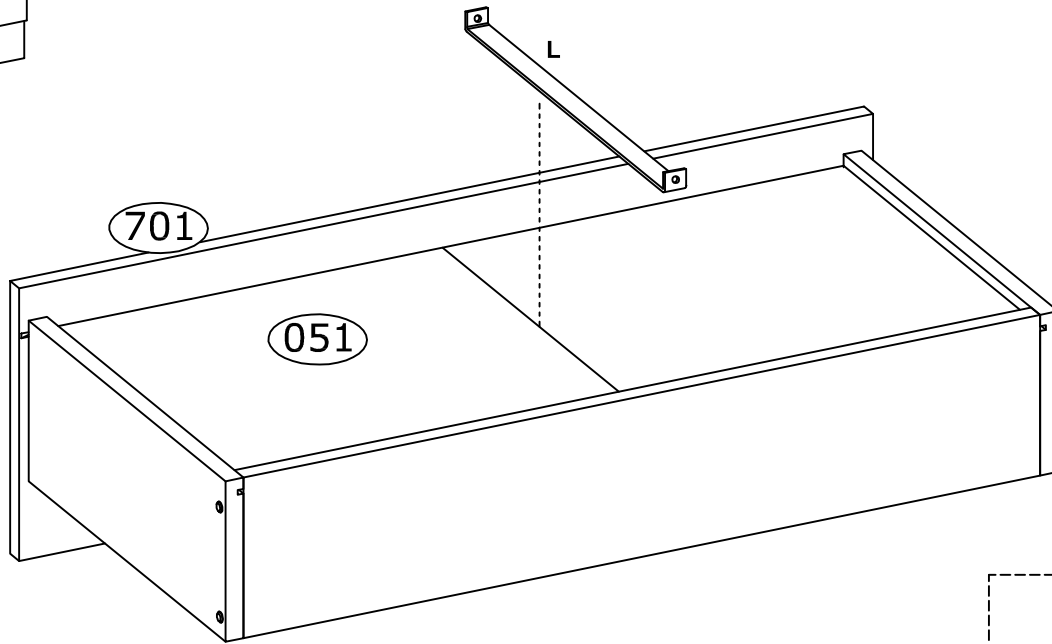
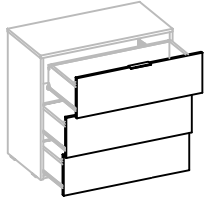


7

<b>L</b>	L- 334 mm	<b>G</b>	Ø3,5x16 mm
	x3 80867		x6 3918


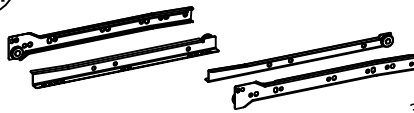


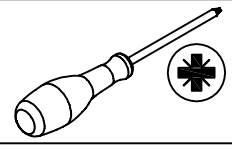
3x

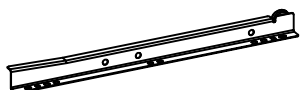
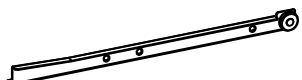




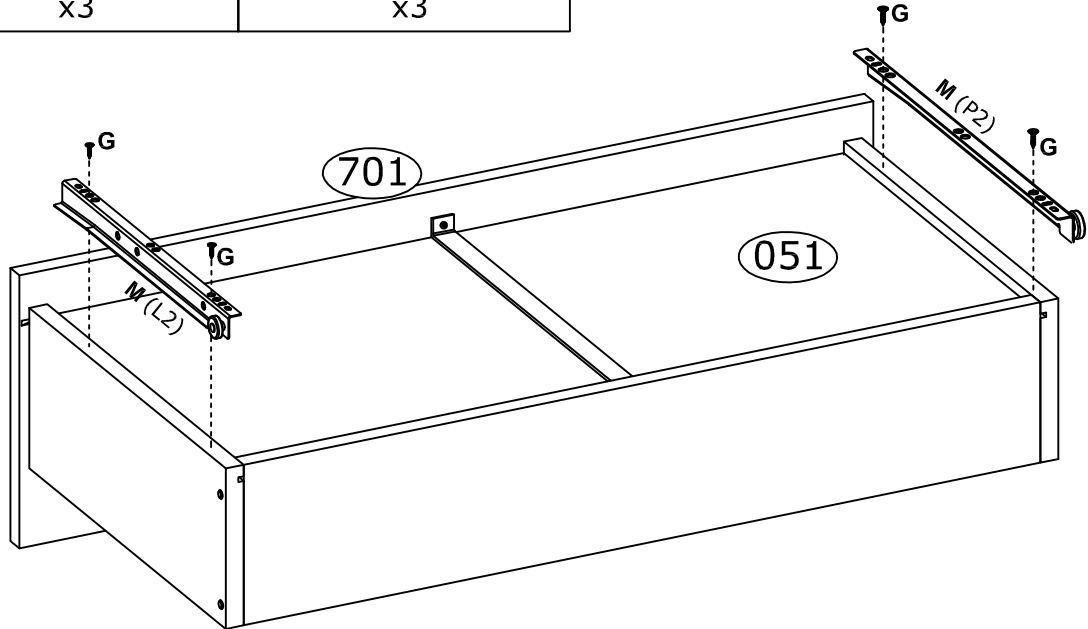
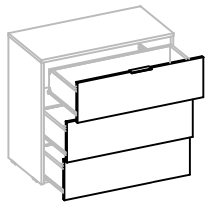
8

<b>G</b> Ø3,5x16 mm  x12 3918	<b>M</b> L- 350 mm  x3 3804
--	---





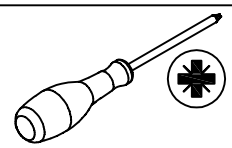
<b>M (L2)</b>  x3	<b>M (P2)</b>  x3
--	--

3x

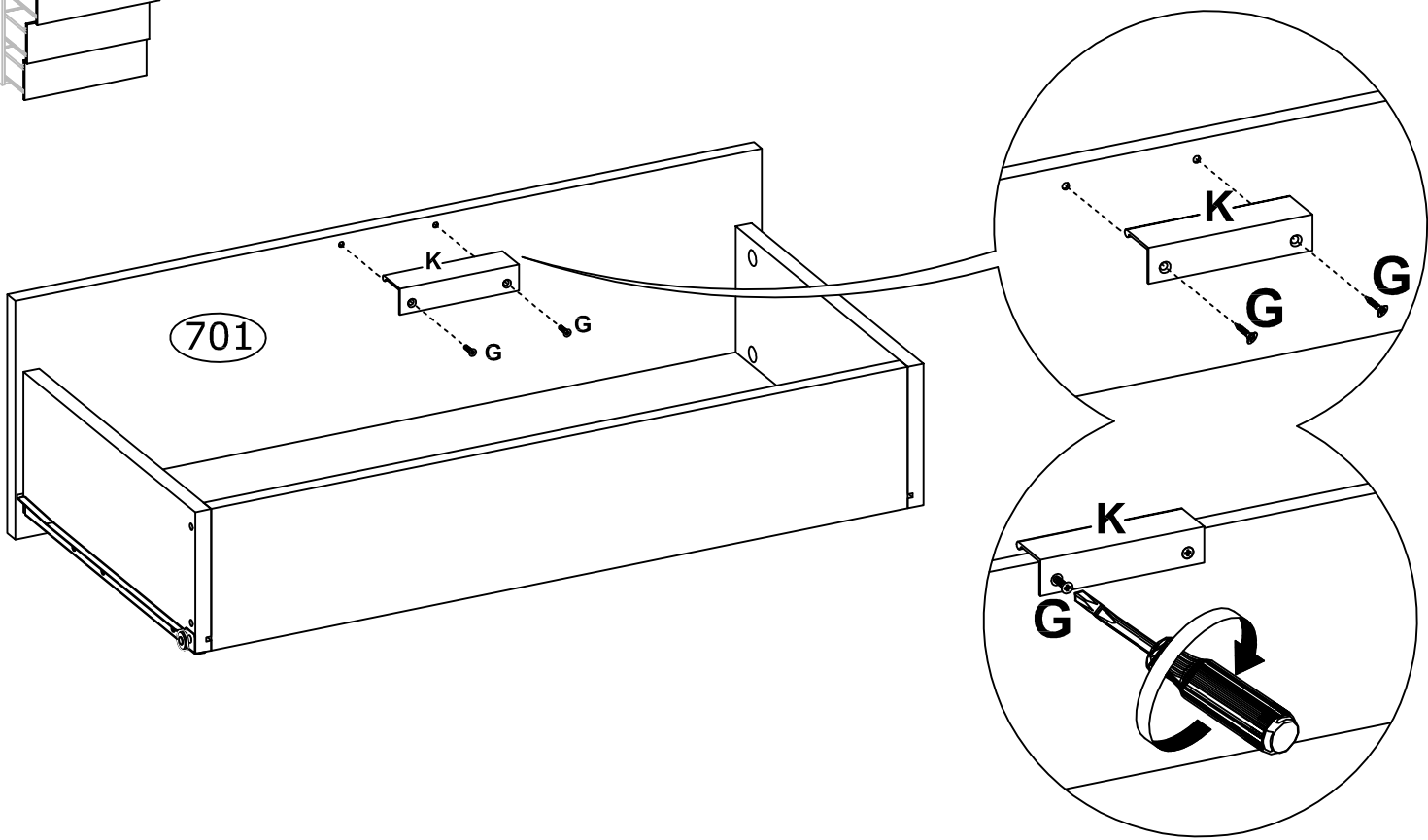
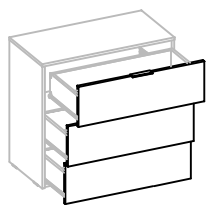


9

<b>K</b> 27X34 L-120mm  x3 209928	<b>G</b> Ø3,5x16 mm  x6 3918
--	---

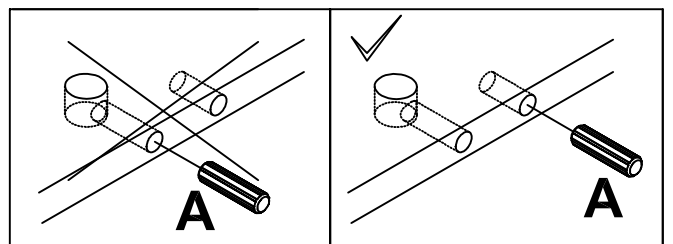
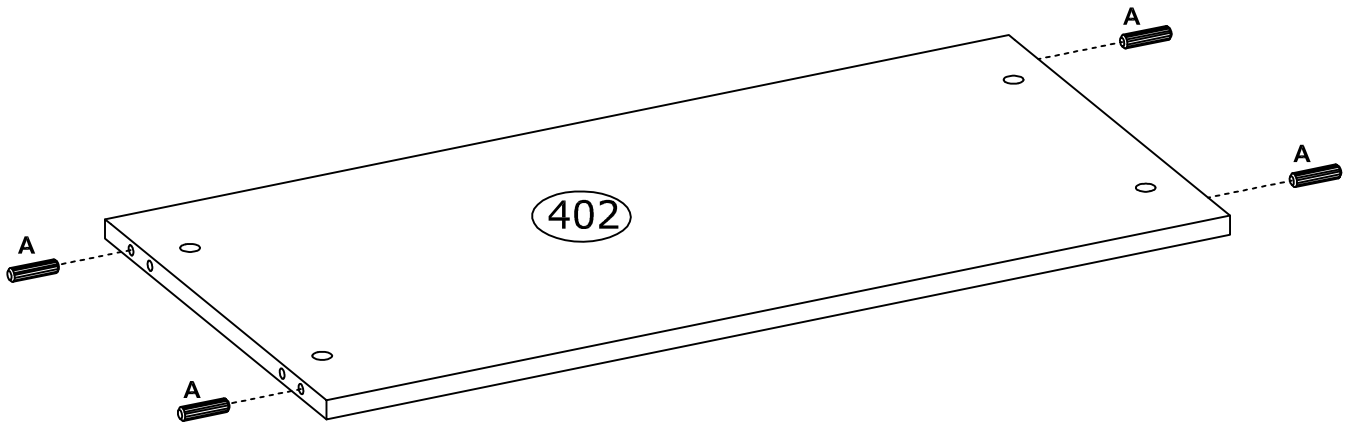
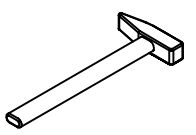


3x



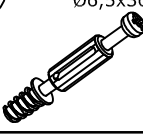

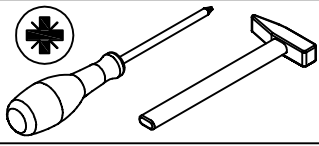
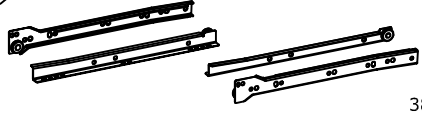


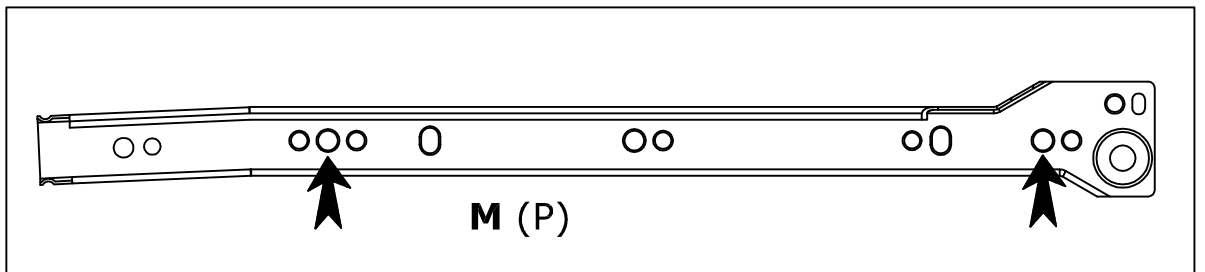
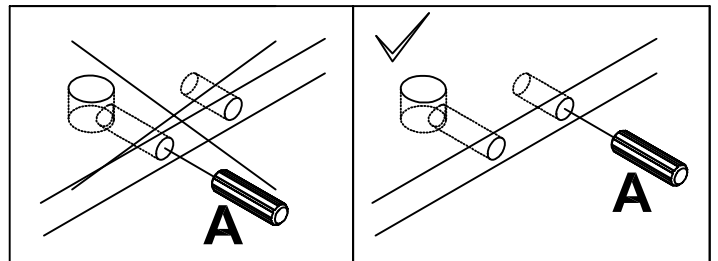
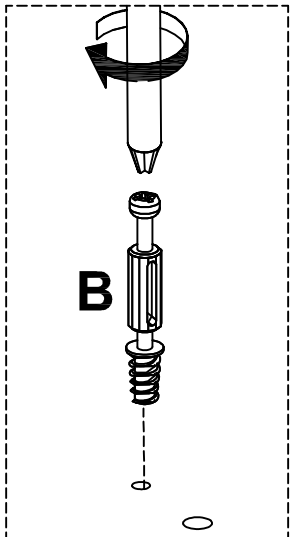
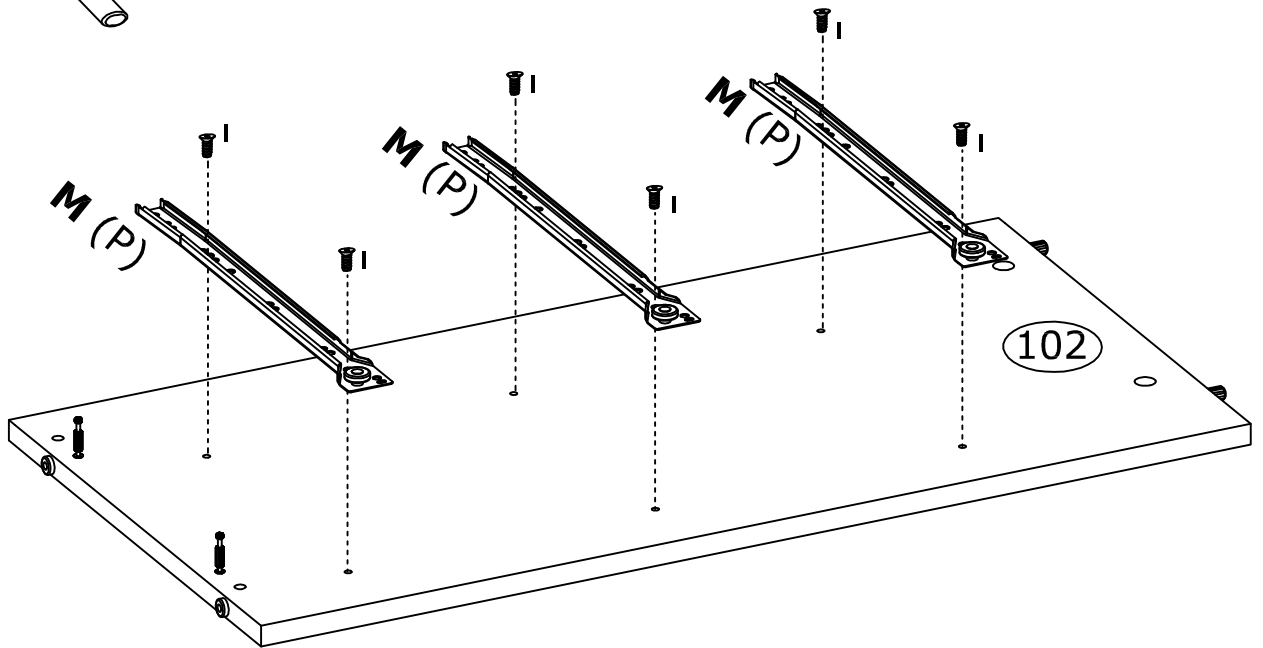
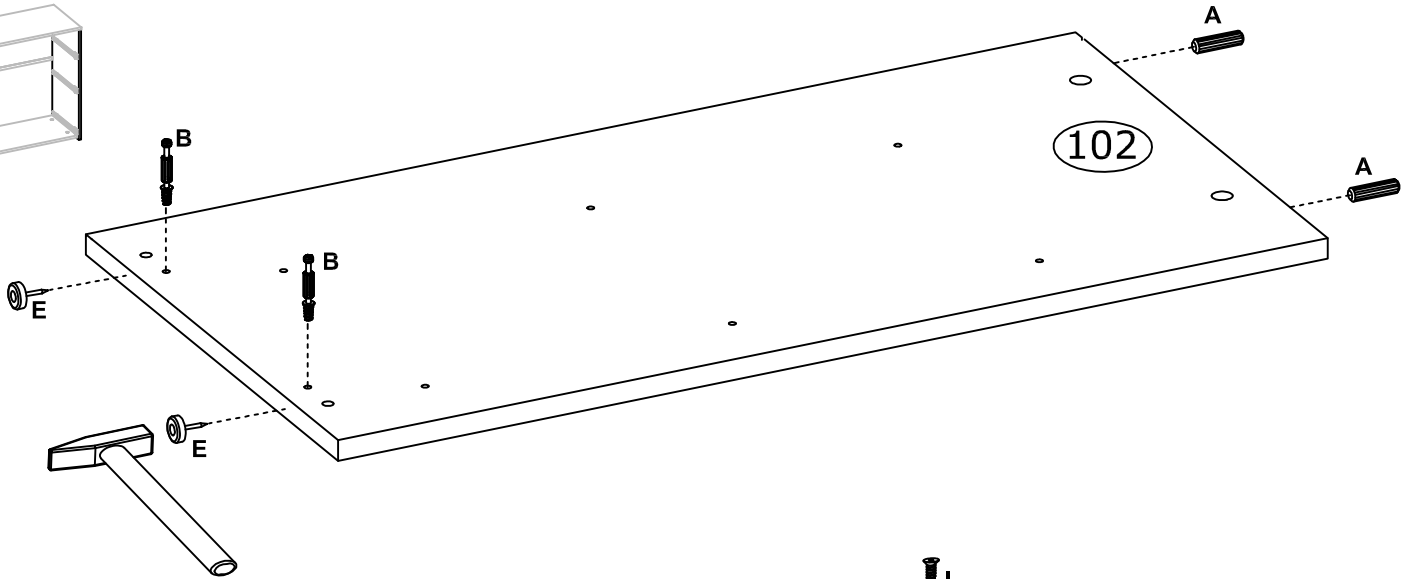
10

A  
Ø8x30 mm  
X4  
3989

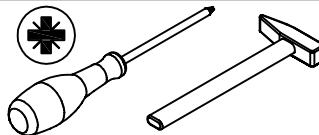


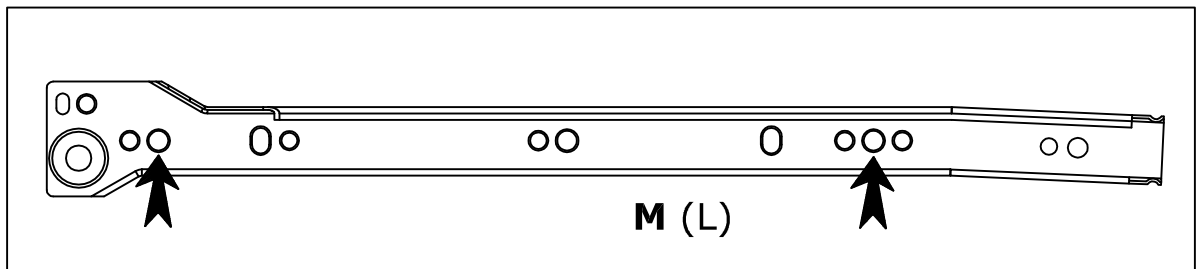
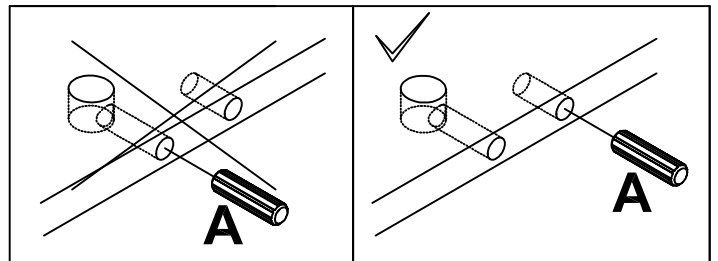
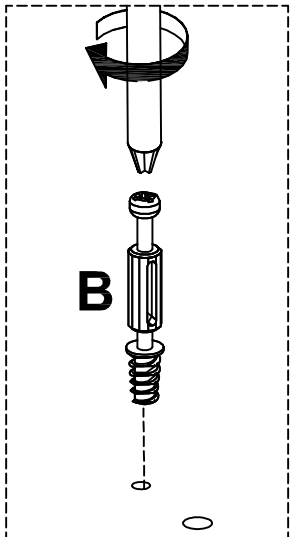
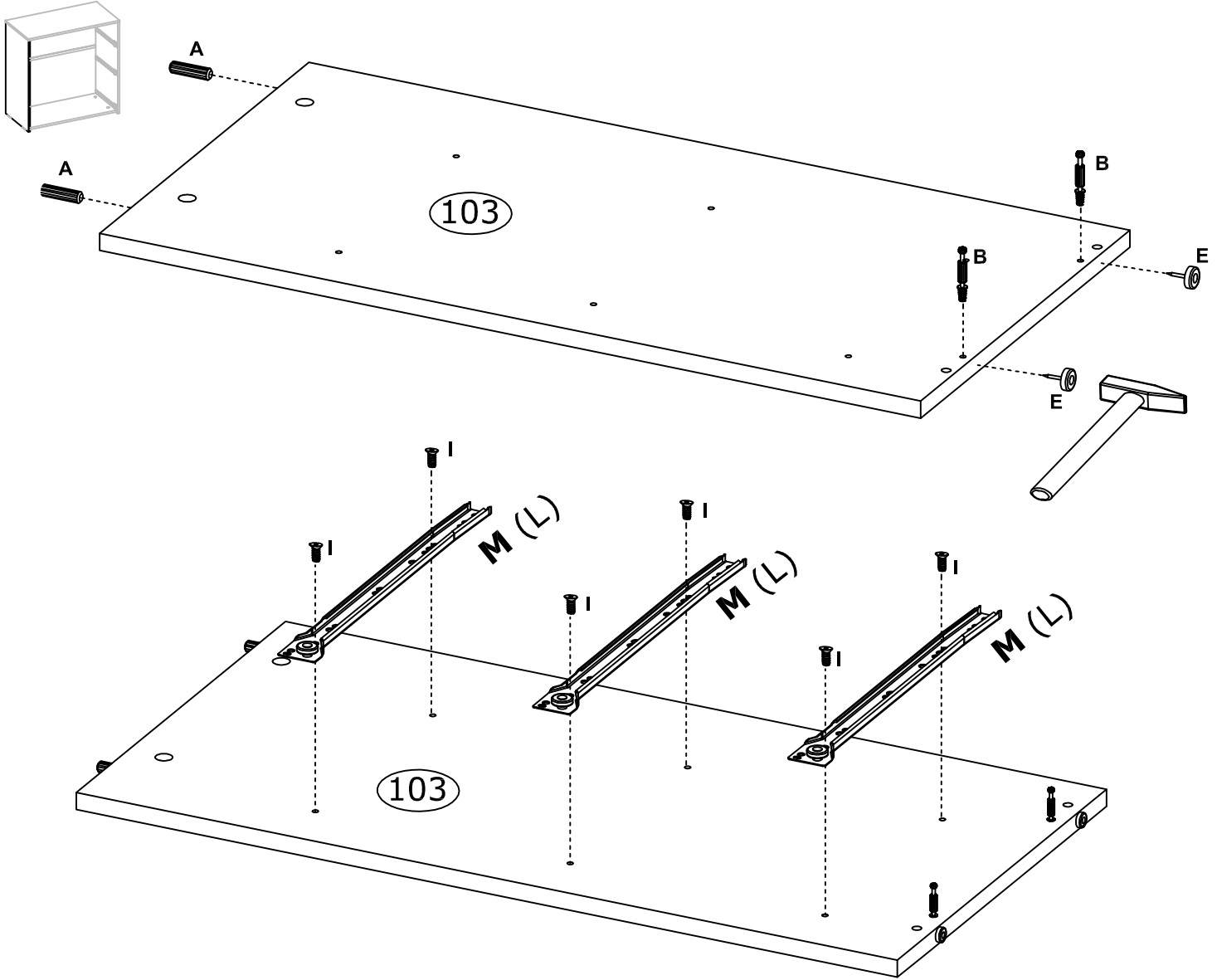
11

<b>A</b> Ø8x30 mm x2 3989 	<b>E</b> x2 70313 	<b>B</b> Ø6,5x36,5 mm x2 4066 	<b>I</b> 6,0x13 mm x6 3877 	
<b>M</b> L- 350 mm x3 3804 				



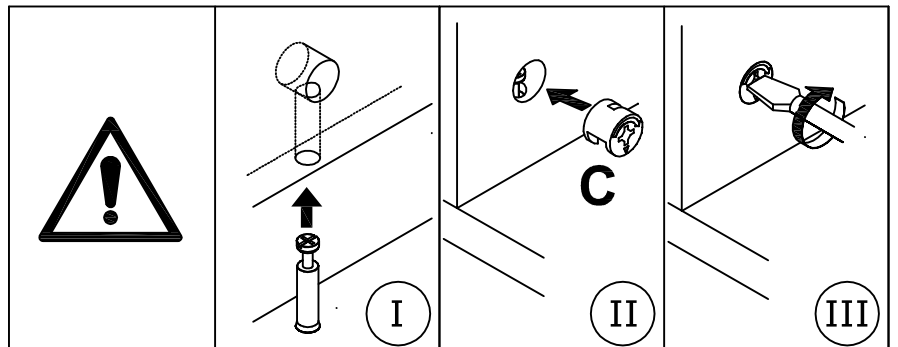
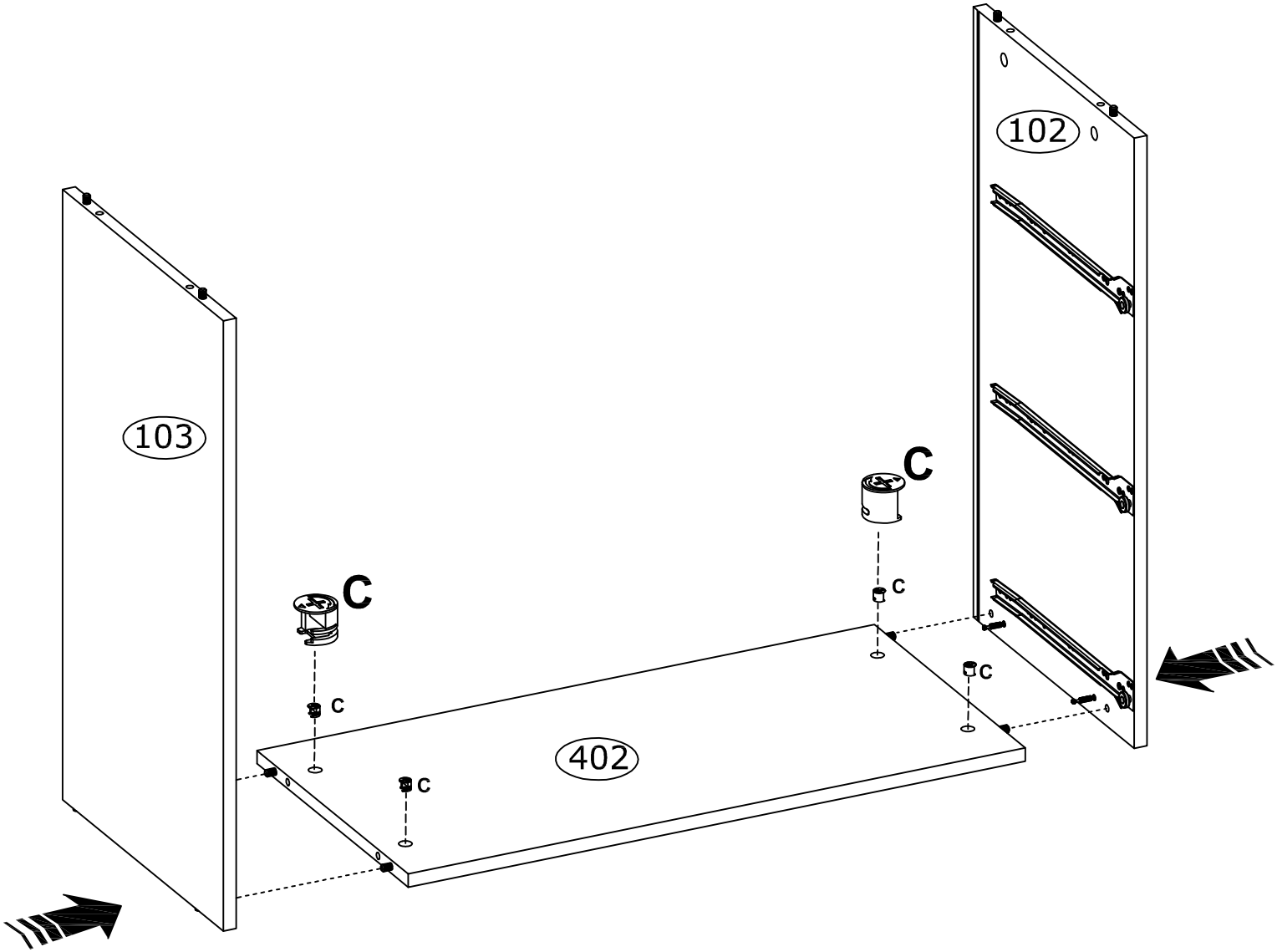
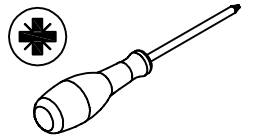
12

<b>A</b> Ø8x30 mm x2 3989	<b>E</b> x2 70313	<b>B</b> Ø6,5x36,5 mm x2 4066	<b>I</b> 6,0x13 mm x6 3877	
<b>M</b> L- 350 mm x3 3804				



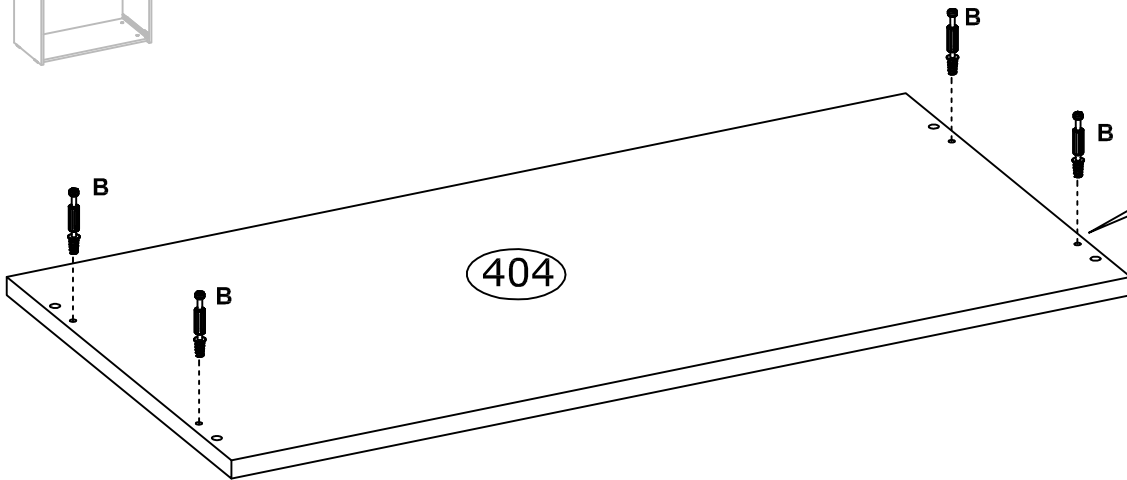
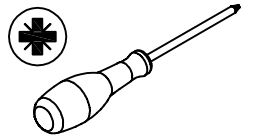
13

C  
Ø15x12 mm  
X4  
3996



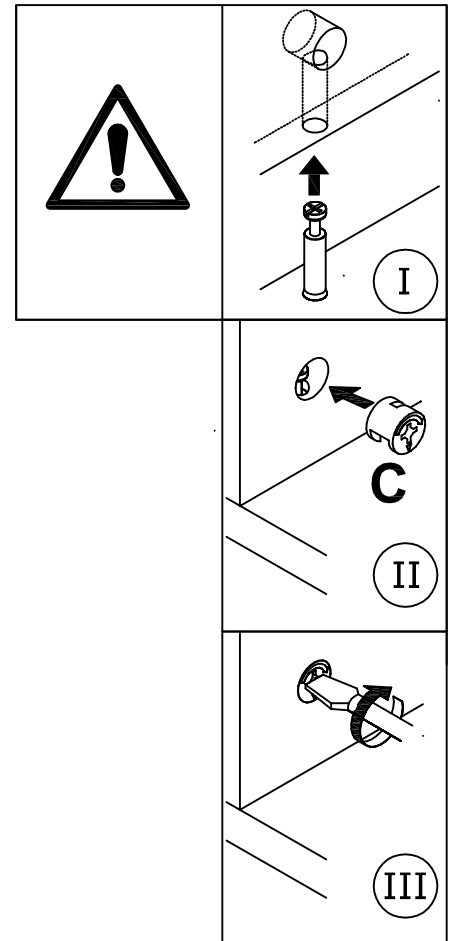
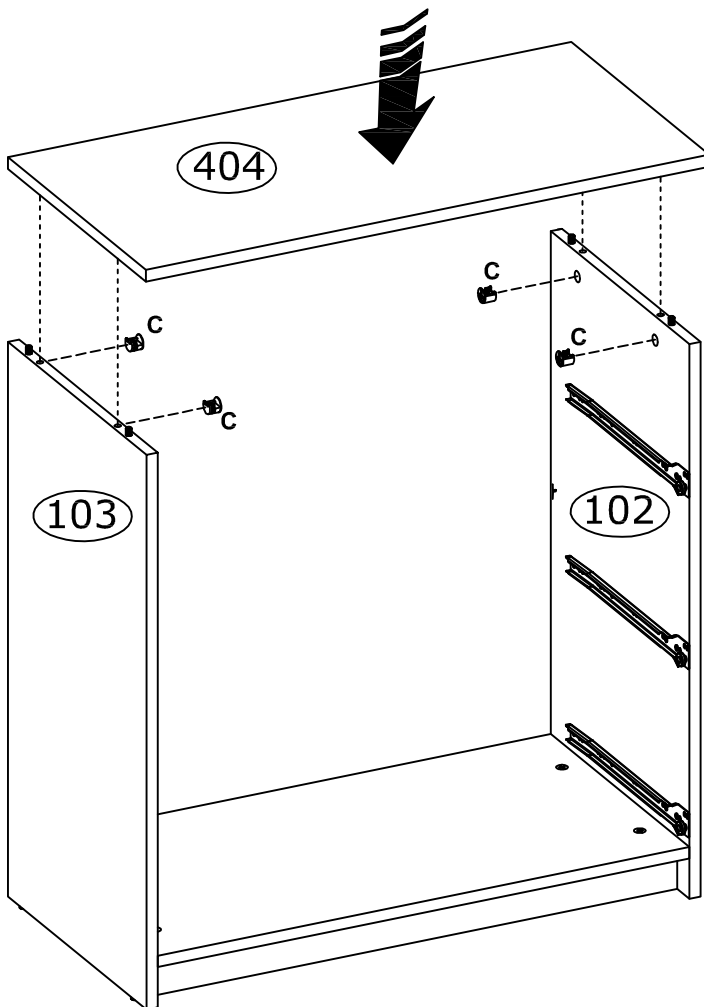
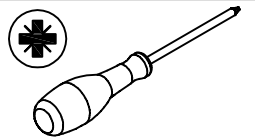
14

**B**  
Ø6,5x36,5 mm  
X4  
4066


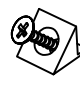
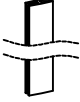


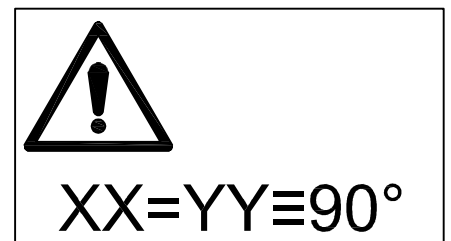
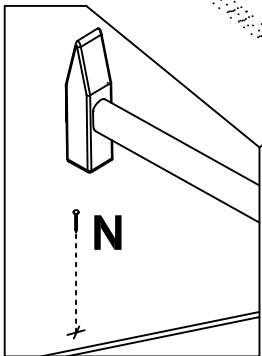
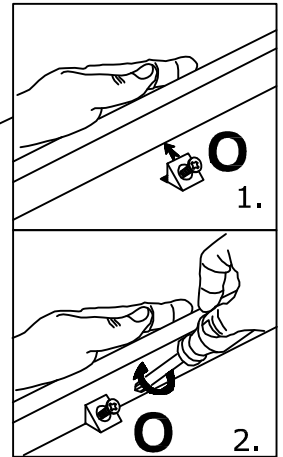
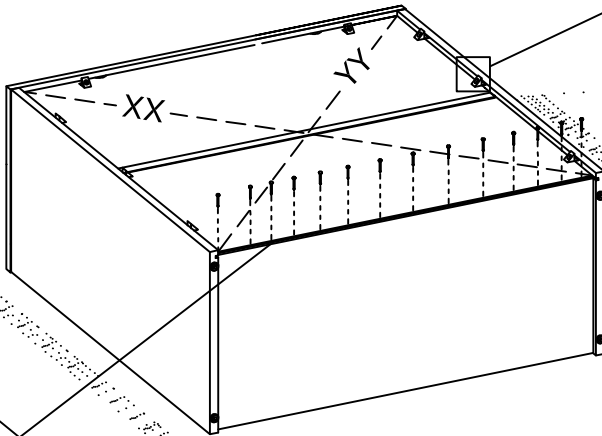
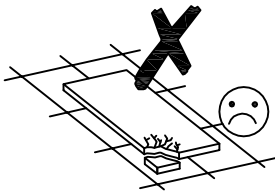
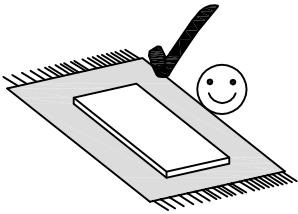
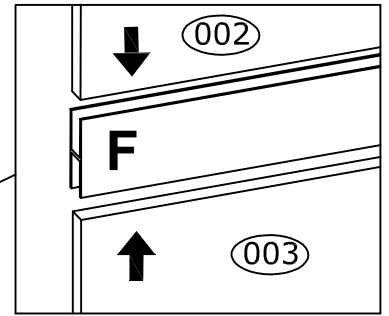
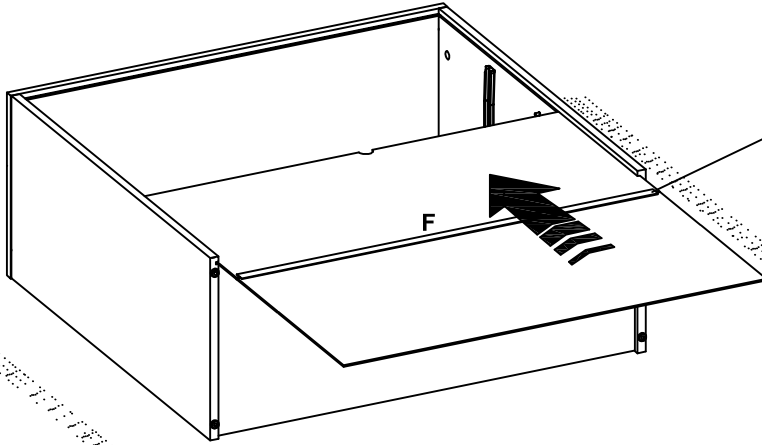
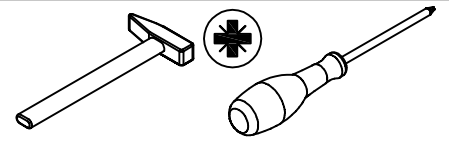
15

**C**  
Ø15x12 mm  
X4  
3996

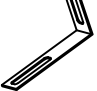



16

<b>N</b>	1,2X20 mm	<b>O</b>	15x14x11 mm	<b>F</b>	L- 760 mm
	x15 3975		x8 4044		x1 164523



17

<b>J</b> 75x15x32 mm  x1 71900	<b>G</b> Ø3,5x16 mm  x2 3918
---	---

