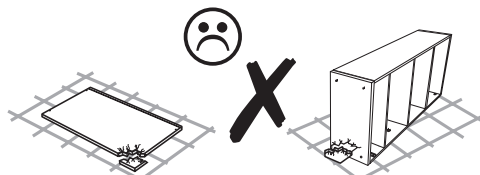
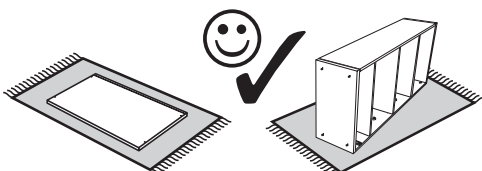
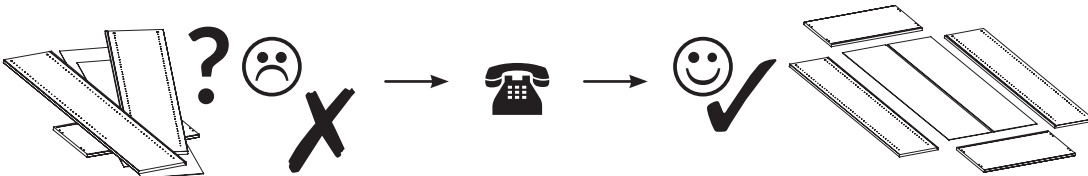
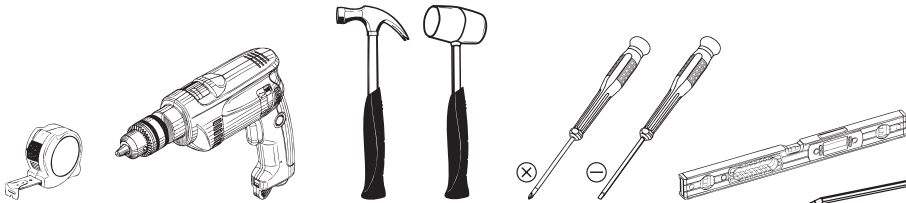
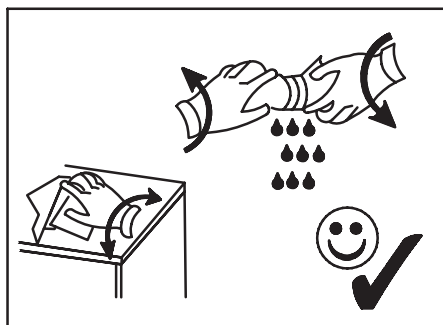
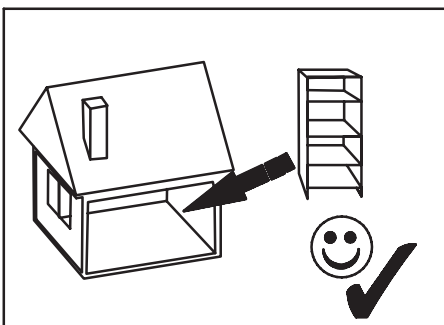
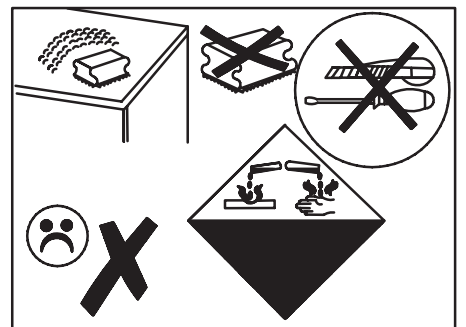
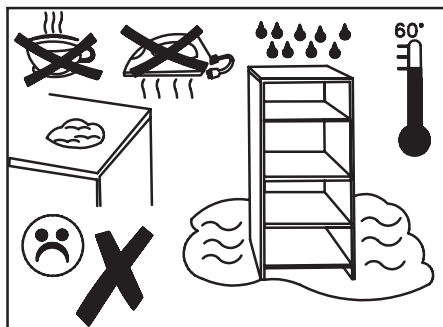
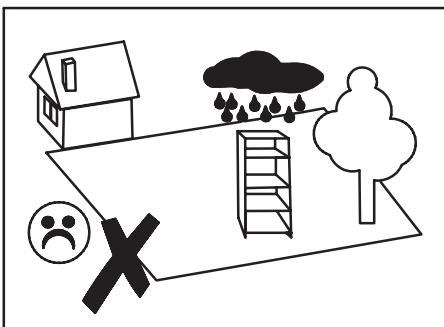
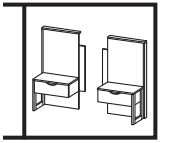
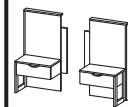


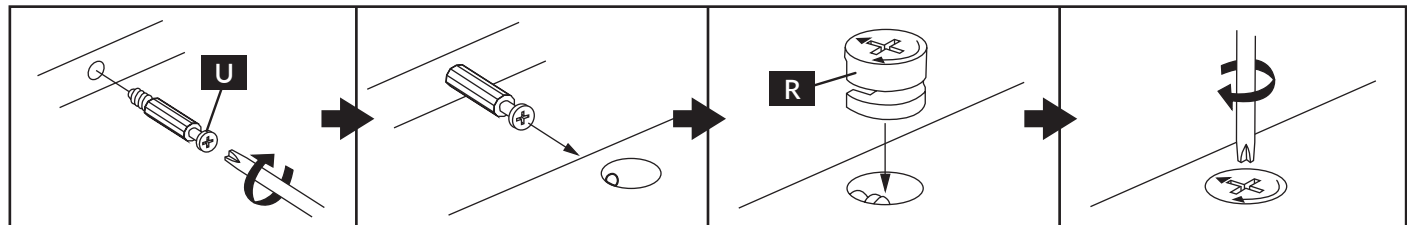
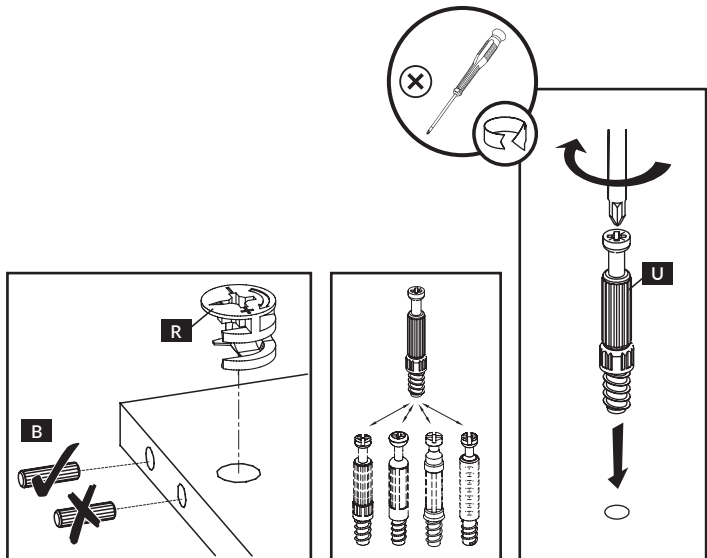
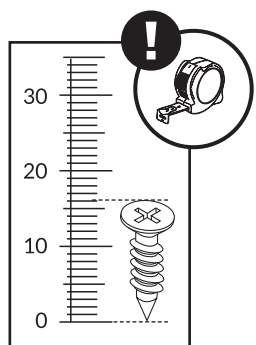
2023-09-06

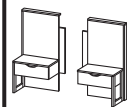




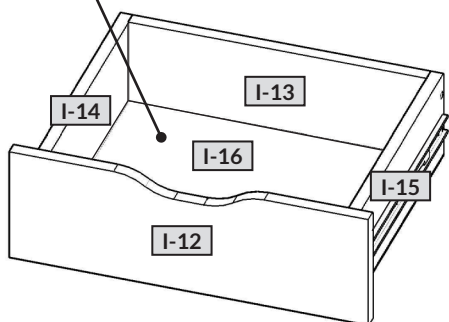
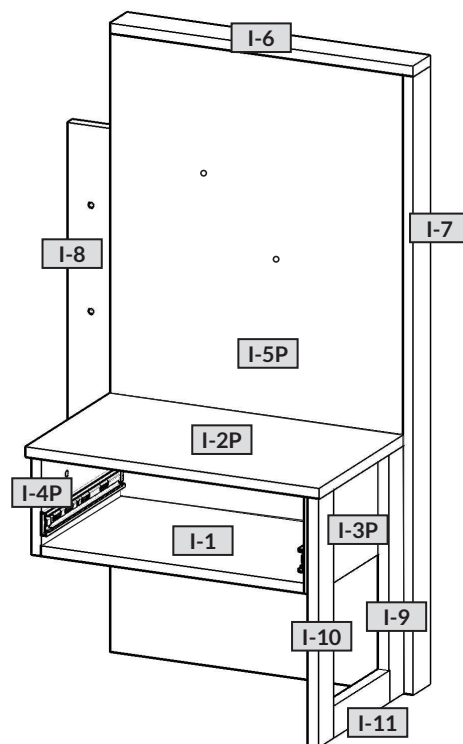
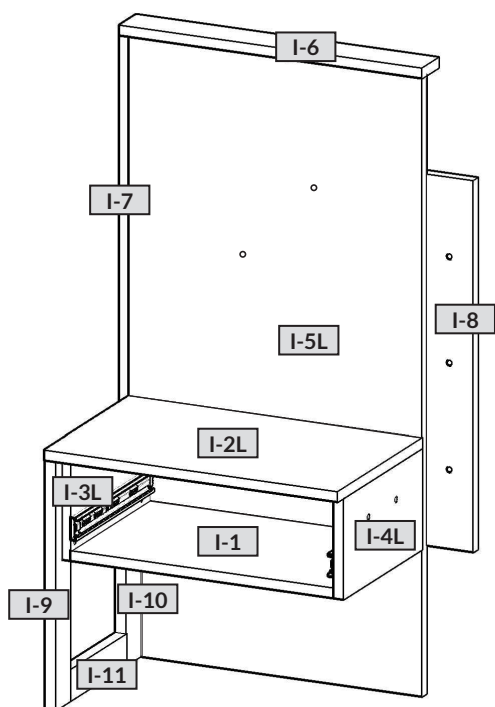


A 7 x 50 mm x 16	B 8 x 32 mm x 38	EP2 4 x 20 mm x 18	G2 x 8	K6 L=250 mm x 2	R H=11 mm x 20
T3 5 x 9 mm x 16	T4 6,3 x 24 mm x 20	U L=24,3 mm x 20	XA x 1	ZR Ø 15 x 4	LED x 1

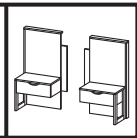




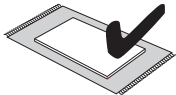
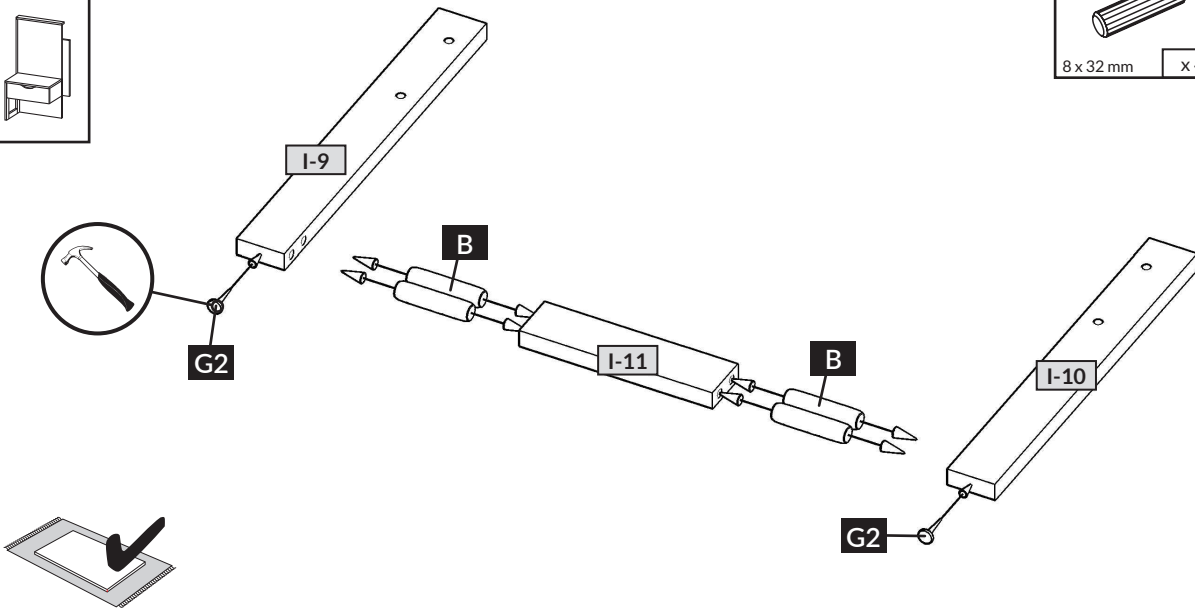
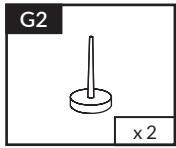
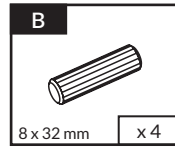
nr	↔ [mm]	↕ [mm]	∅ [mm]	Menge	Colli
I-1	449	284	16	x2	1/1
I-2 L/P	500	305	16	x2	1/1
I-3 L/P	164	284	16	x2	1/1
I-4 L/P	164	284	16	x2	1/1
I-5 L/P	500	1000	16	x2	1/1
I-6	516	60	16	x2	1/1
I-7	1000	60	16	x2	1/1
I-8	600	160	16	x2	1/1
I-9	394	50	15	x2	1/1
I-10	394	50	15	x2	1/1
I-11	204	50	15	x2	1/1
I-12	476	160	16	x2	1/1
I-13	393	100	16	x2	1/1
I-14	250	100	16	x2	1/1
I-15	250	100	16	x2	1/1
I-16	424	256	3	x2	1/1



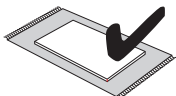
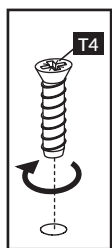
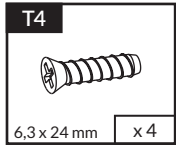
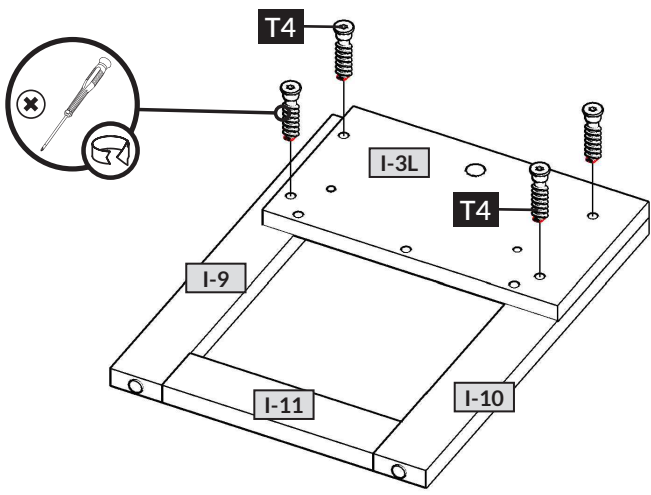
← 2x



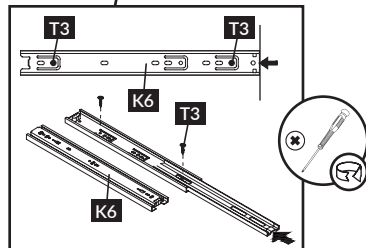
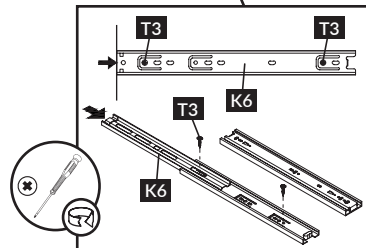
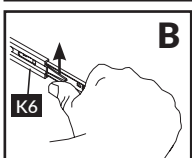
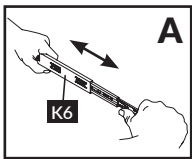
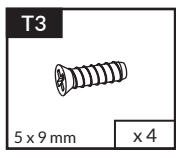
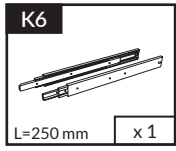
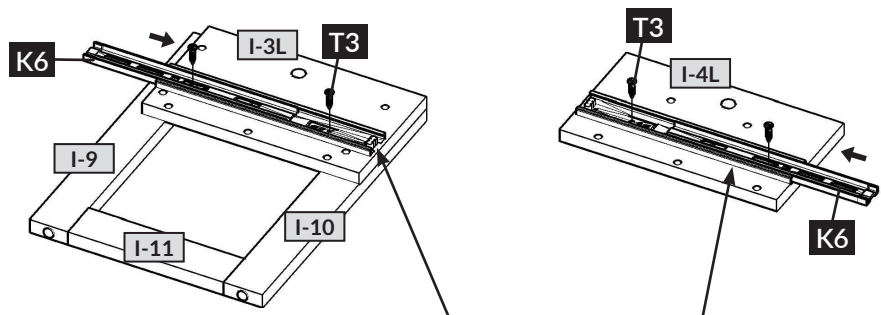
1

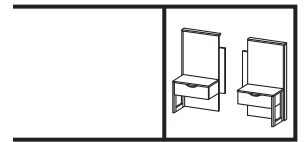


2



3





4

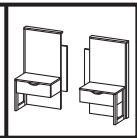
B	R	U
8x32mm x4	H=11mm x2	L=24,3mm x2

5

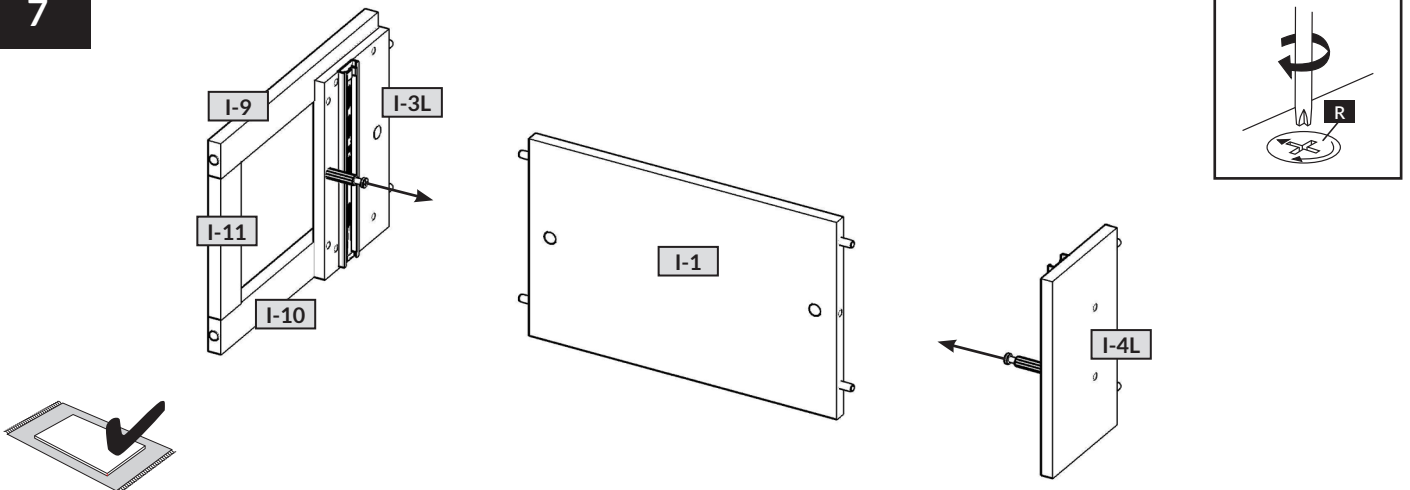
B	R	U
8x32mm x4	H=11mm x2	L=24,3mm x2

6

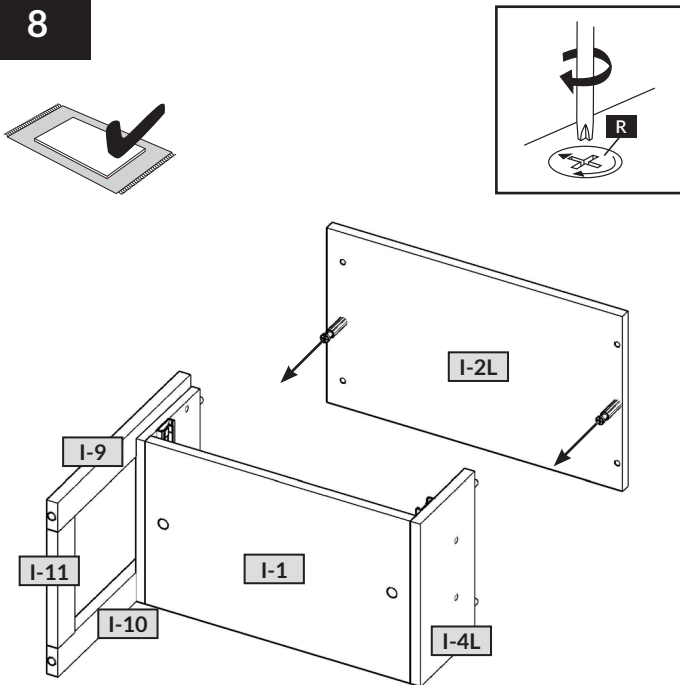
B	G2	R	U
8x32mm x5	x2	H=11mm x4	L=24,3mm x4



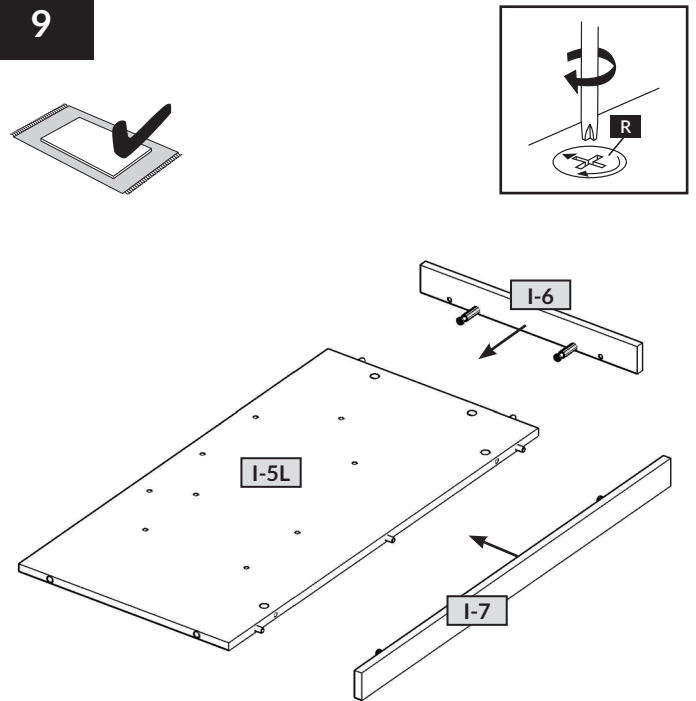
7



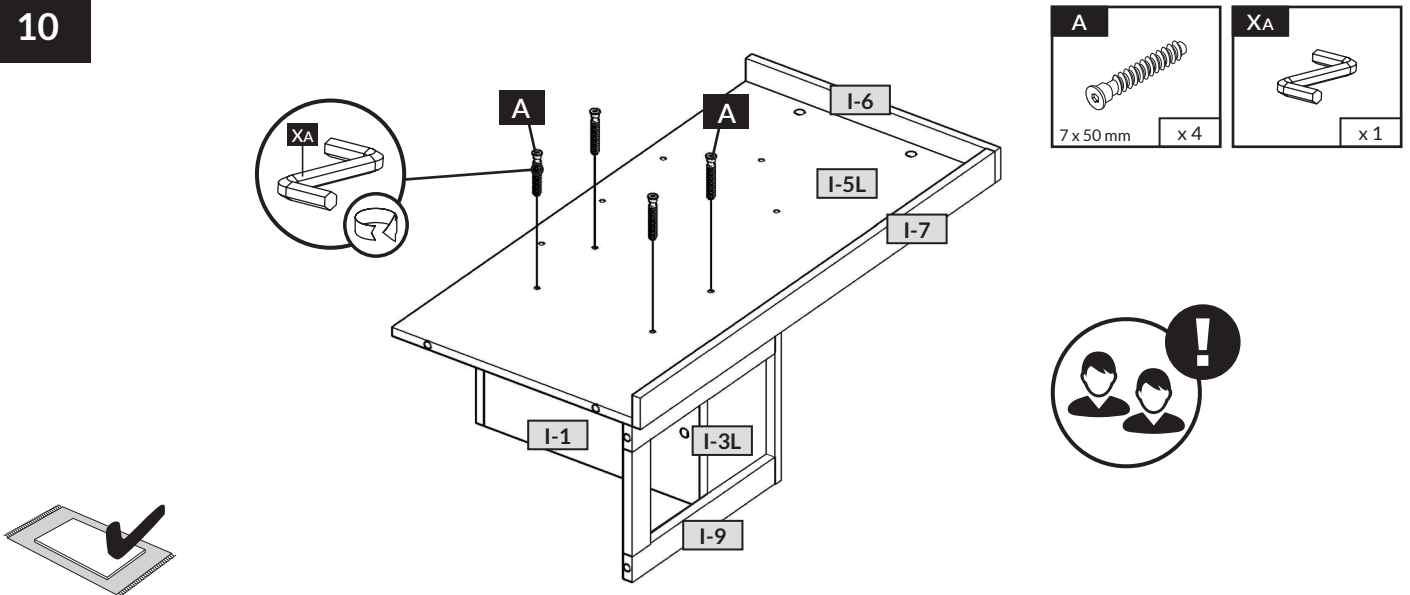
8

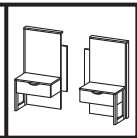


9

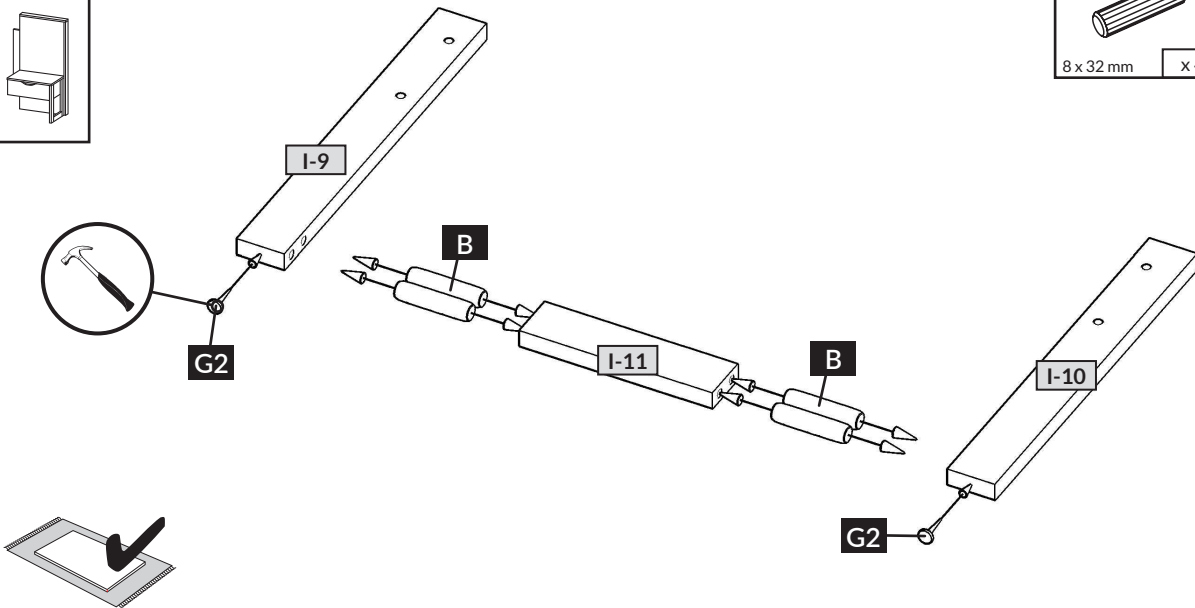
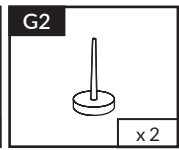
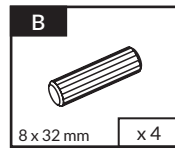
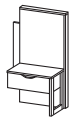


10

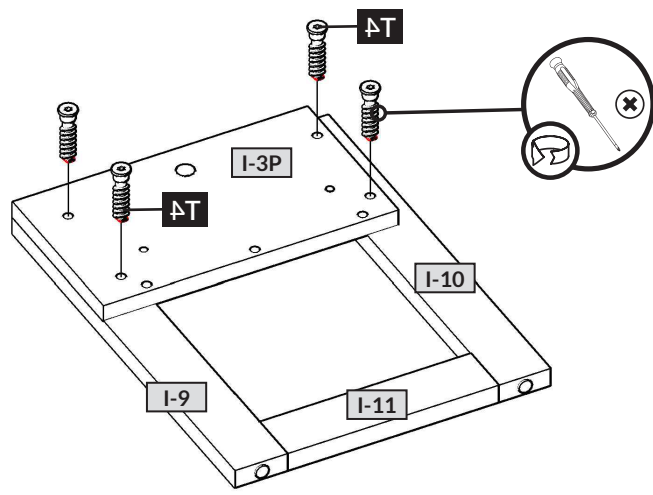
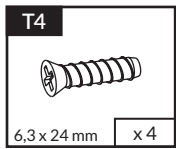
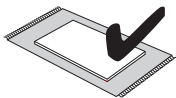




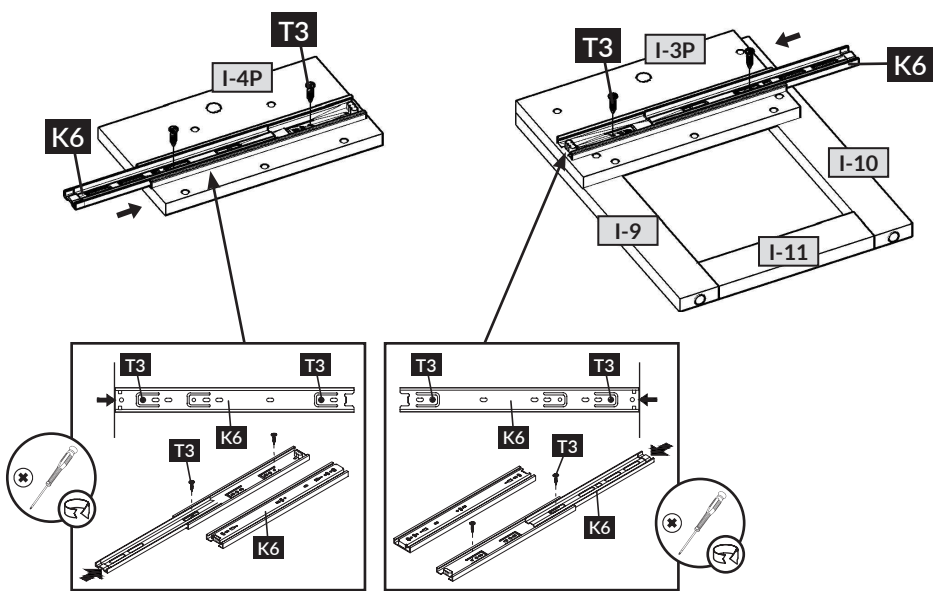
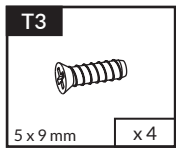
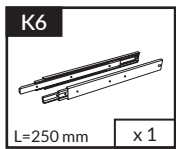
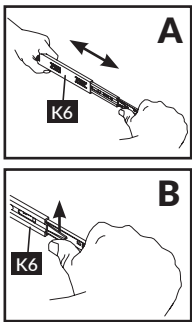
11

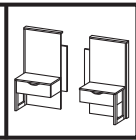


12

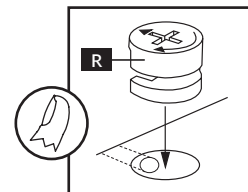
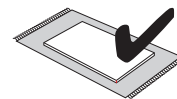
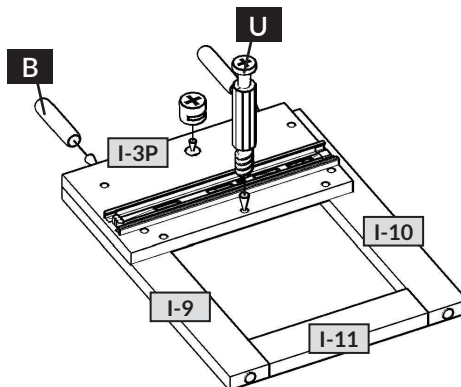
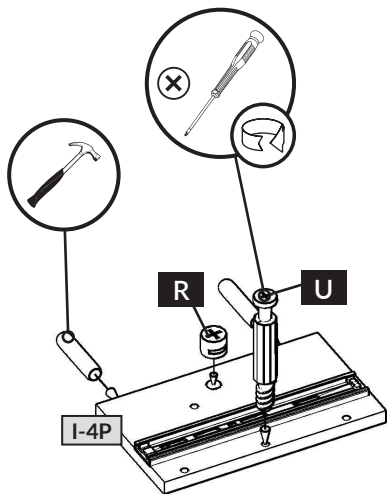
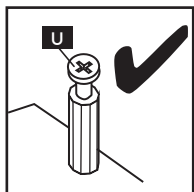
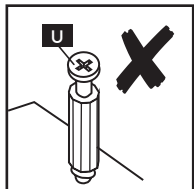
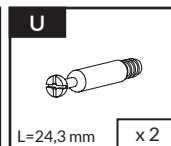
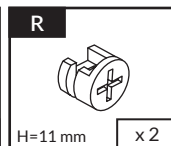
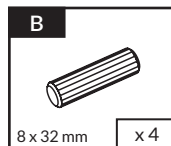


13

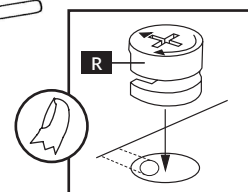
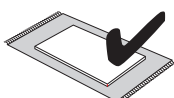
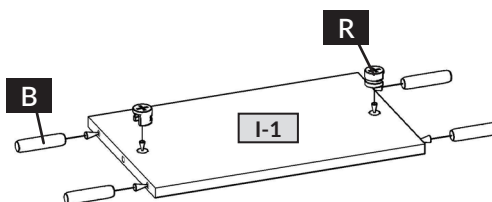
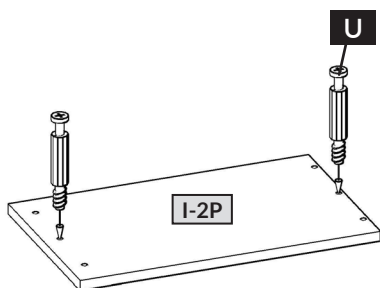
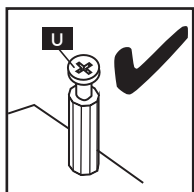
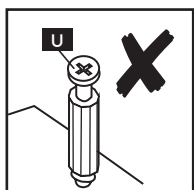
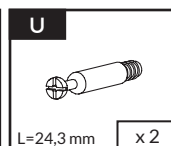
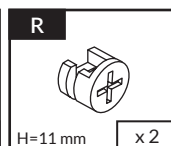
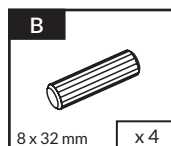




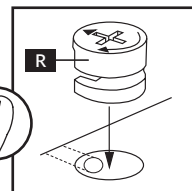
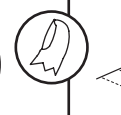
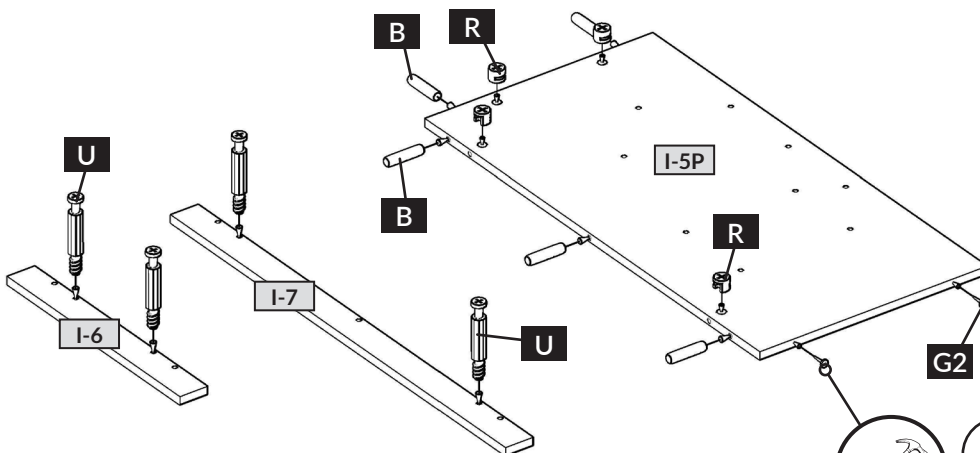
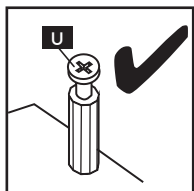
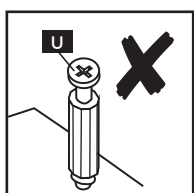
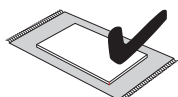
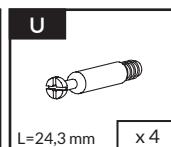
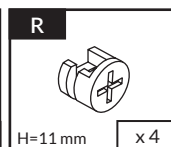
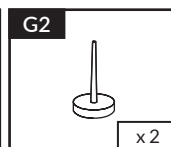
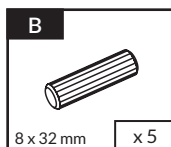
14

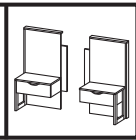


15

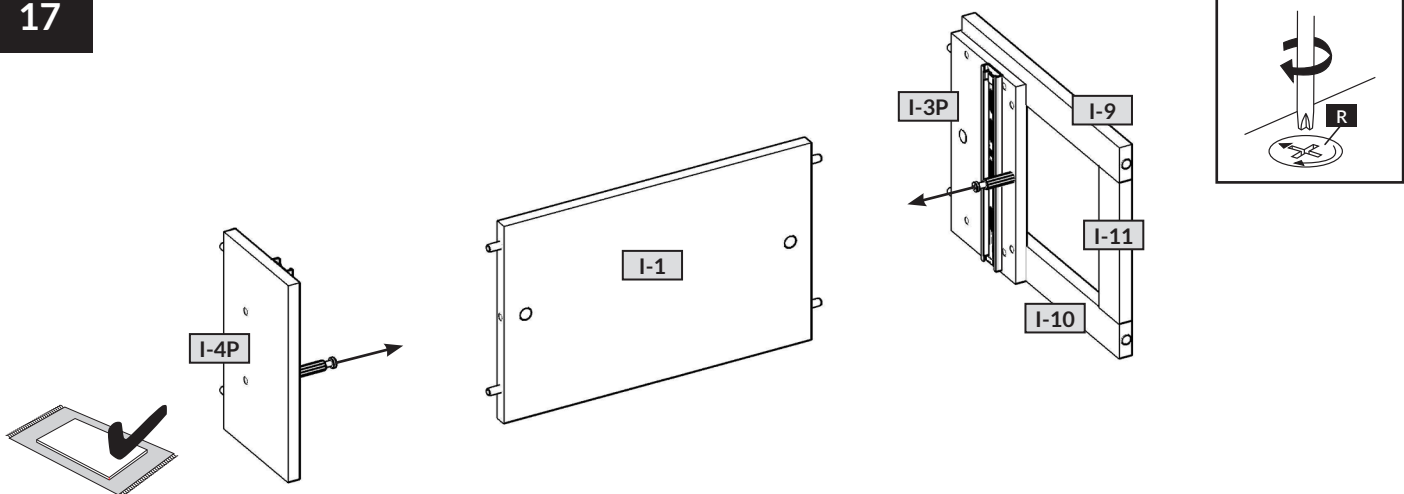


16

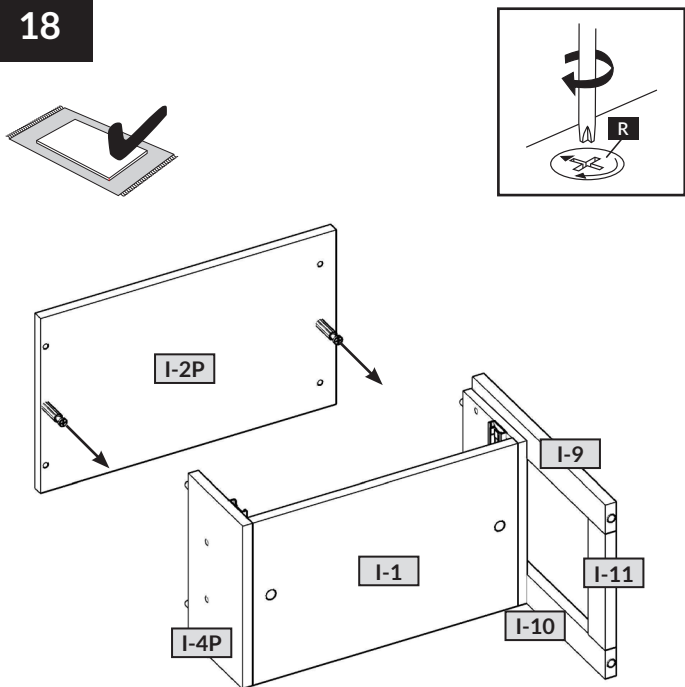




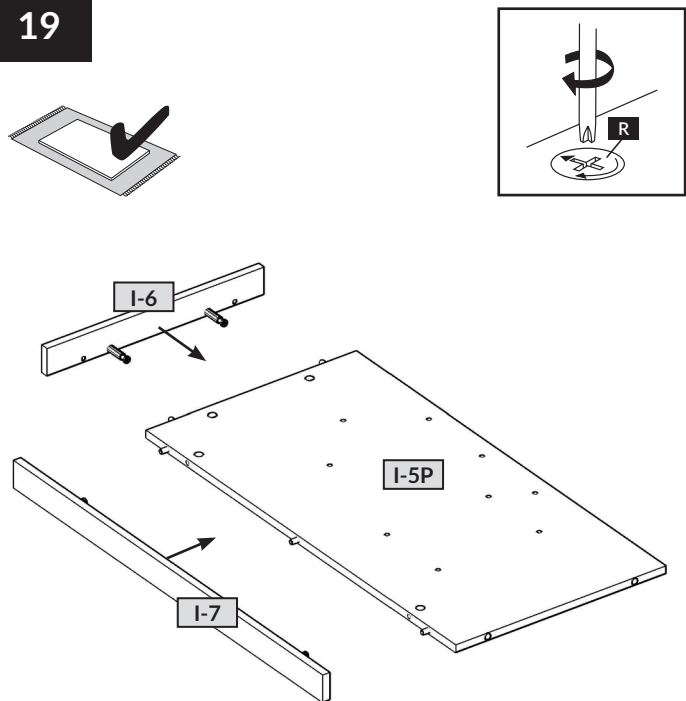
17



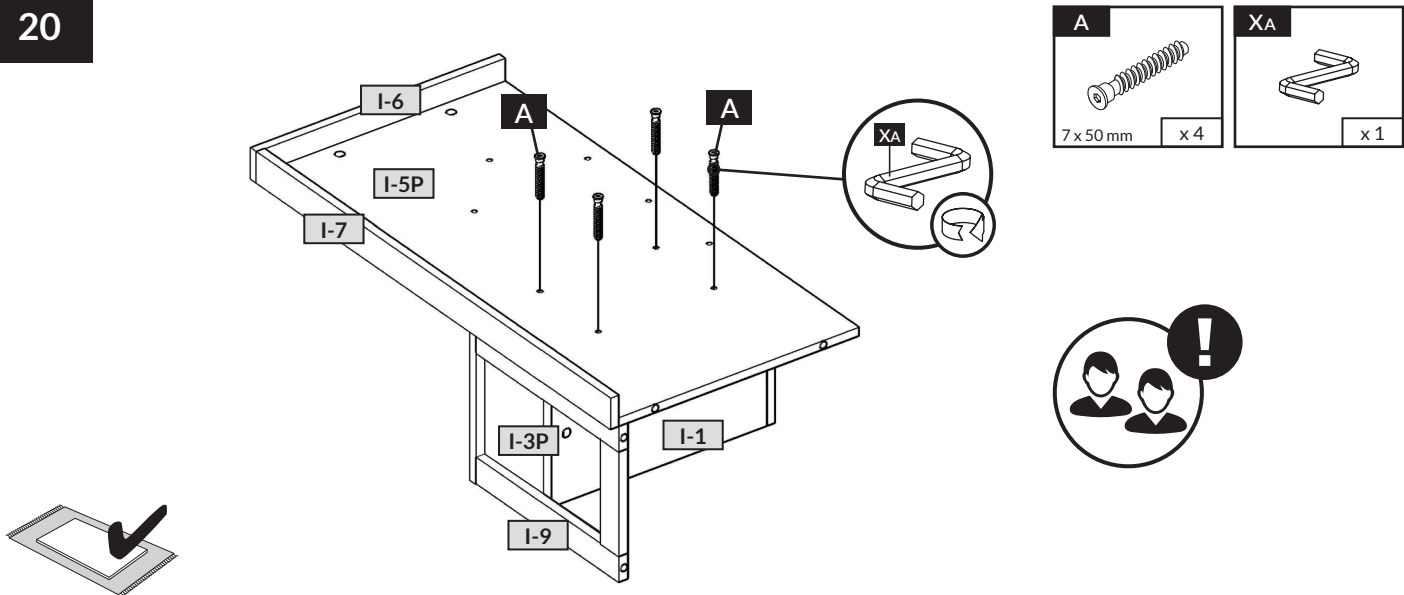
18

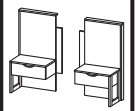


19

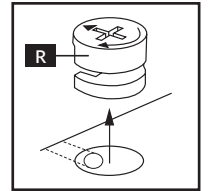
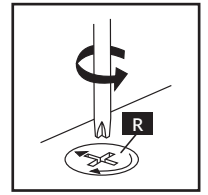
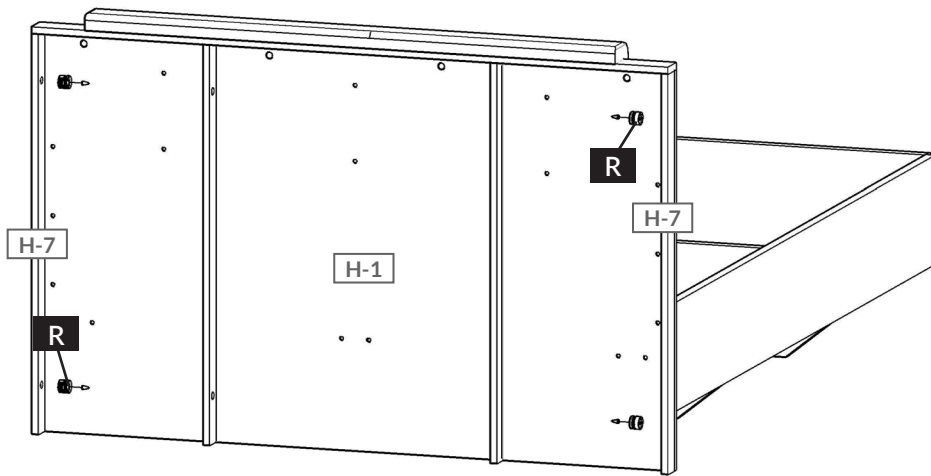


20

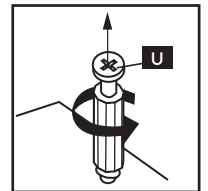
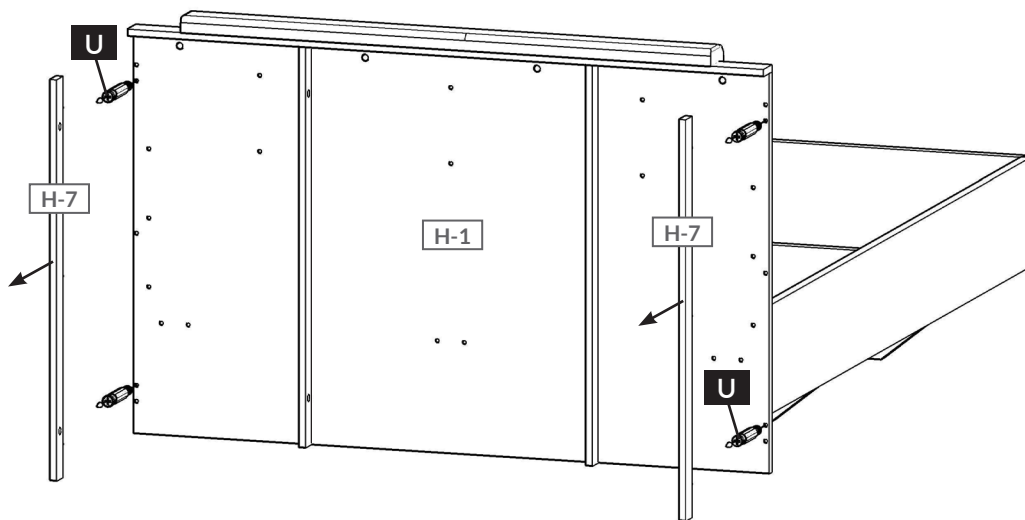




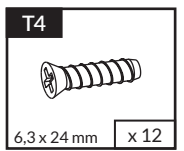
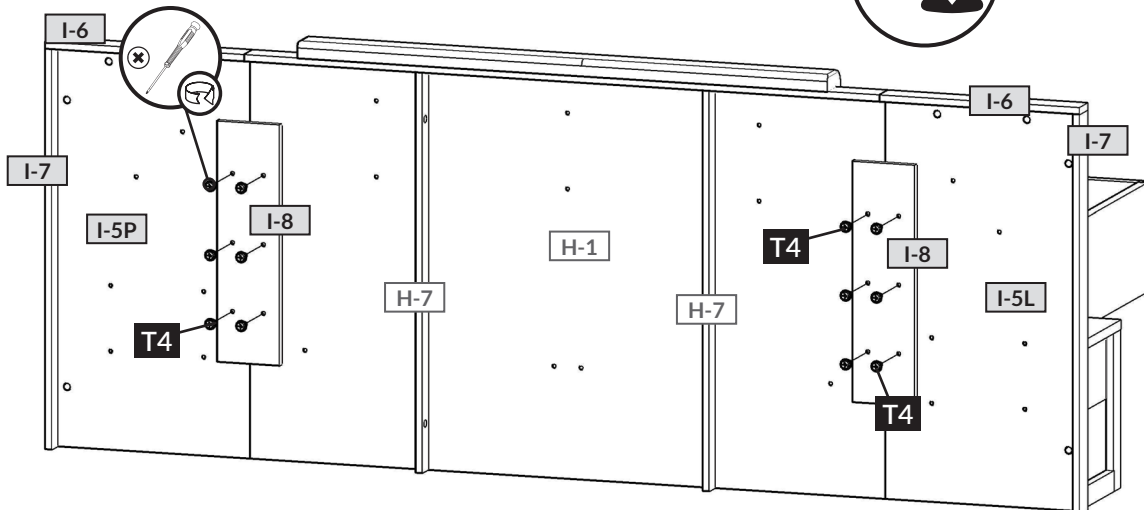
21

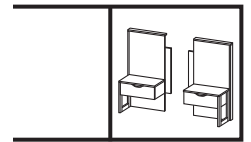


22



23





24

2x

U I-12 U

B R I-14

I-15 R B

2x

B
8 x 32 mm x 4

R
H=11 mm x 4

U
L=24,3 mm x 4

25

2x

XA I-14

A I-13 I-15 A

A
7 x 50 mm x 8

XA
x 1

26

2x

I-12 I-14 I-13 I-15

R

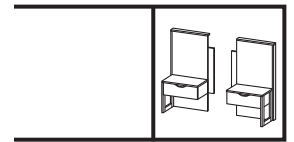
27

2x

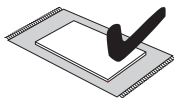
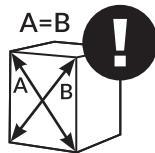
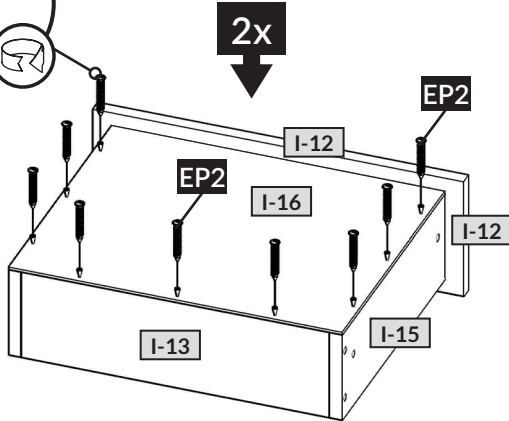
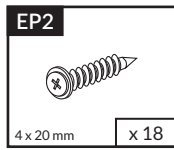
I-12 I-16 I-13 I-15

ZR R

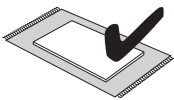
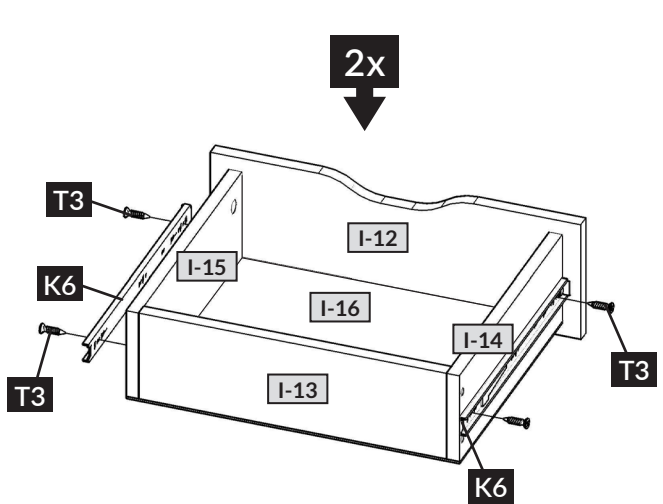
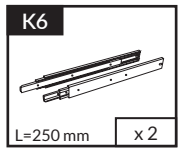
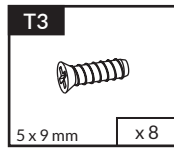
ZR
Ø 15 x 4



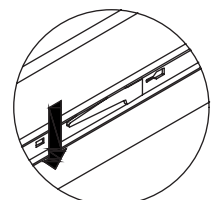
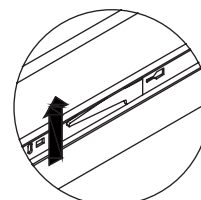
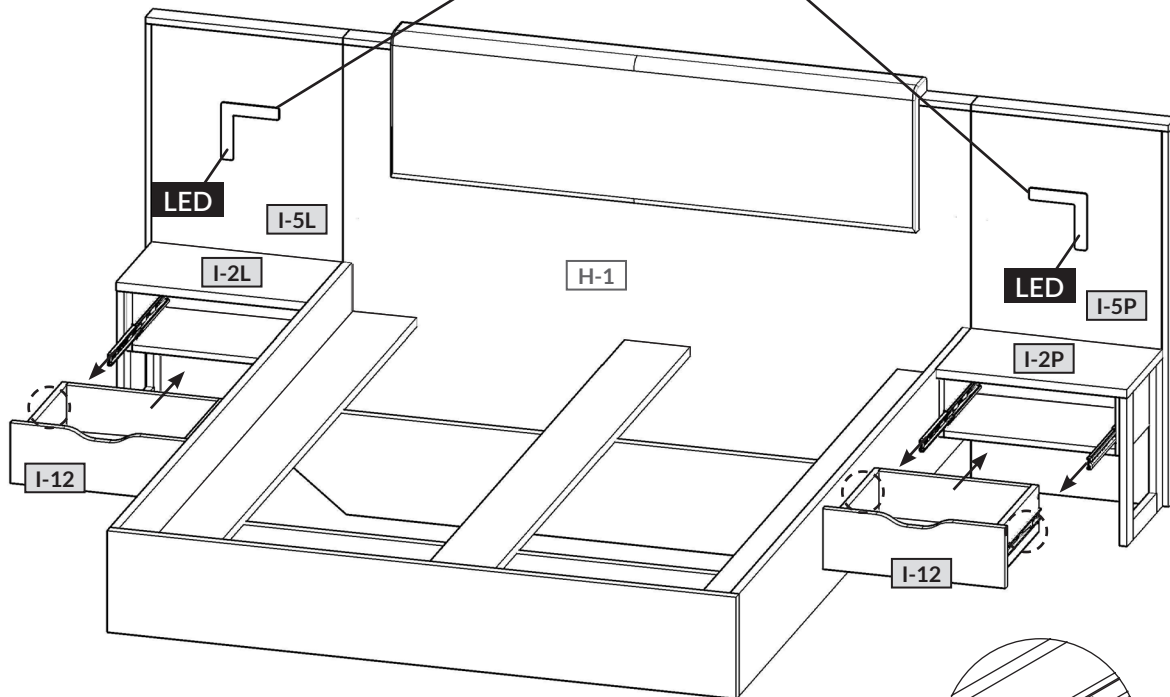
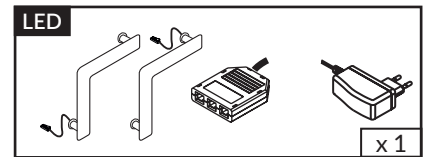
28

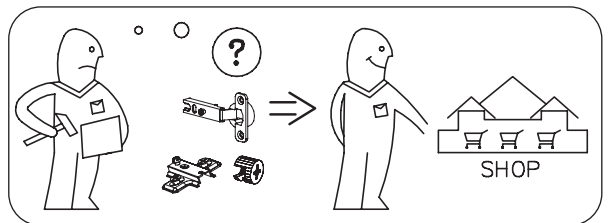
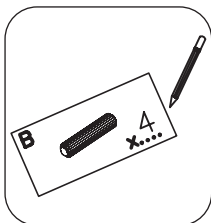
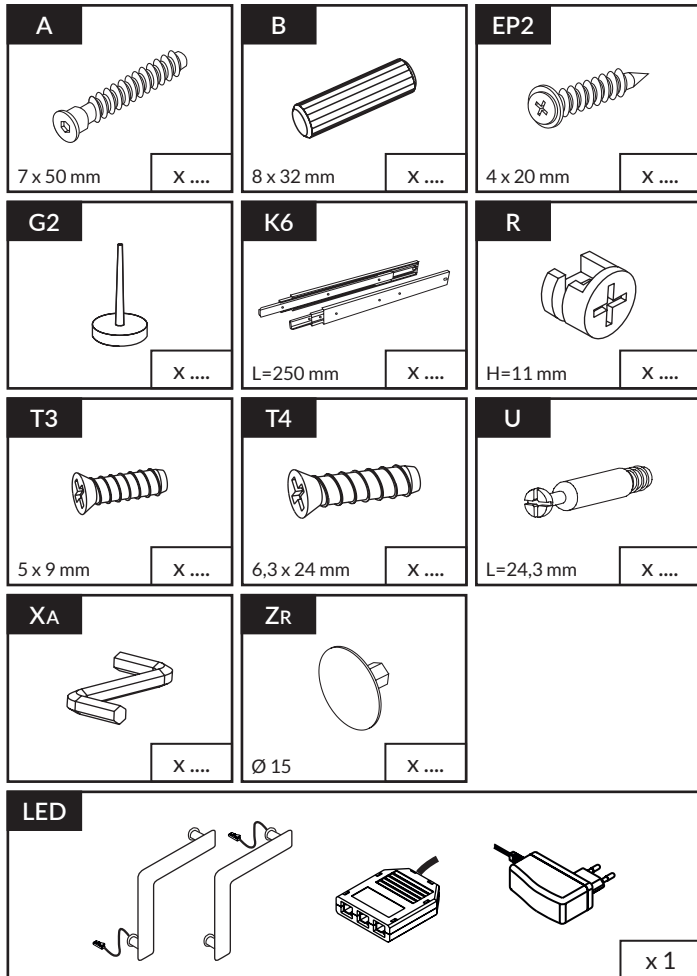


29



30





nr	↔ [mm]	↑ [mm]	↗ [mm]	Menge	Colli
I-1	449	284	16	x 2	1/1
I-2 L/P	500	305	16	x 2	1/1
I-3 L/P	164	284	16	x 2	1/1
I-4 L/P	164	284	16	x 2	1/1
I-5 L/P	500	1000	16	x 2	1/1
I-6	516	60	16	x 2	1/1
I-7	1000	60	16	x 2	1/1
I-8	600	160	16	x 2	1/1
I-9	394	50	15	x 2	1/1
I-10	394	50	15	x 2	1/1
I-11	204	50	15	x 2	1/1
I-12	476	160	16	x 2	1/1
I-13	393	100	16	x 2	1/1
I-14	250	100	16	x 2	1/1
I-15	250	100	16	x 2	1/1
I-16	424	256	3	x 2	1/1

