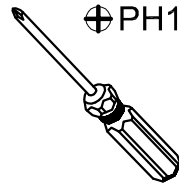
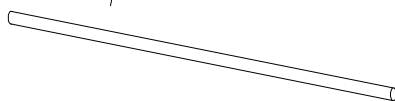
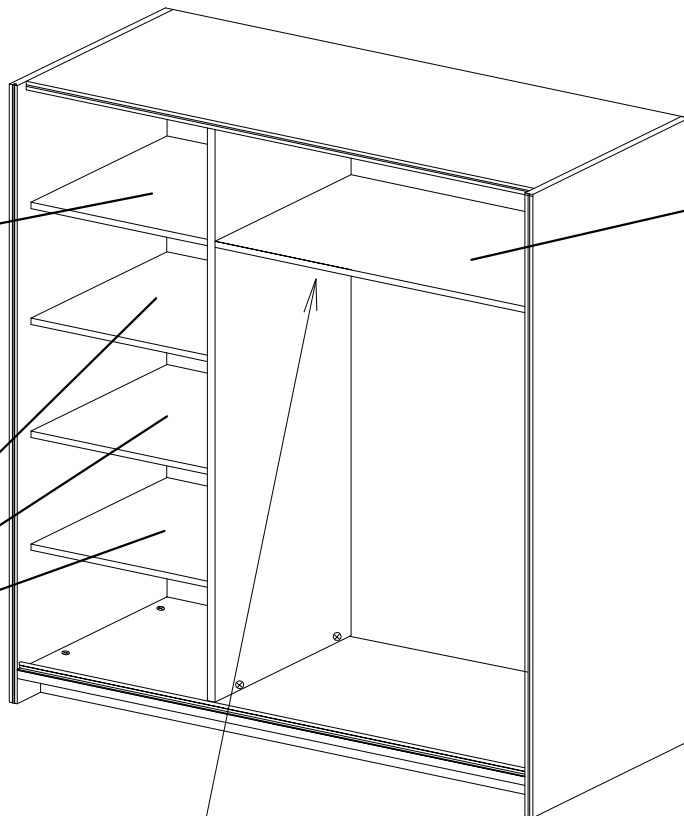
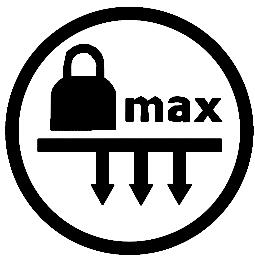
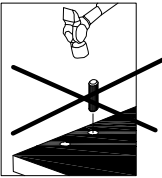
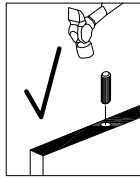
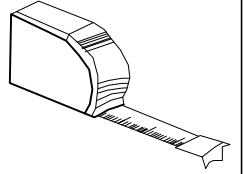
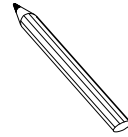


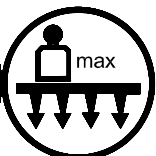
⊕PH2

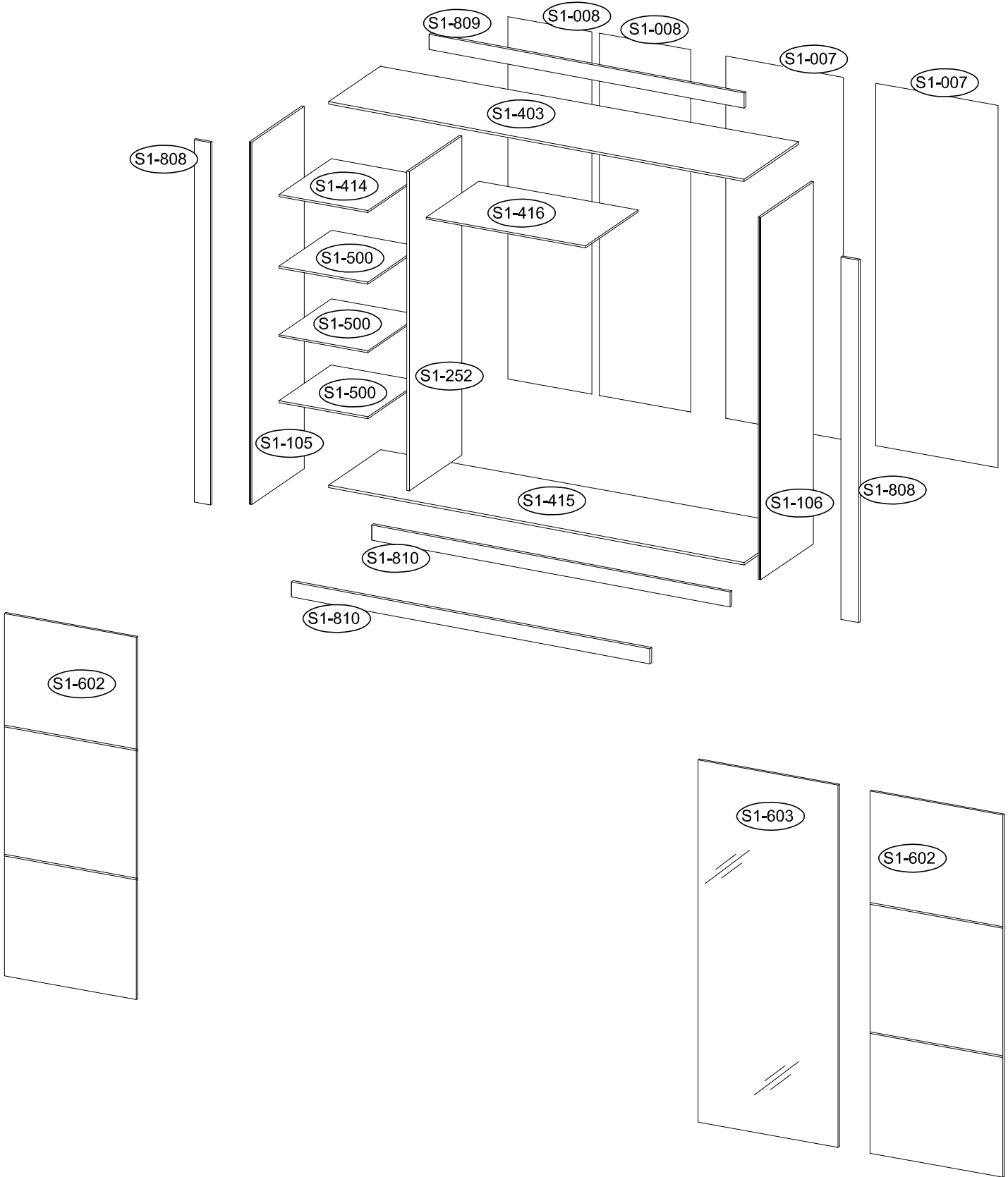


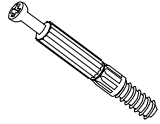

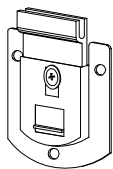

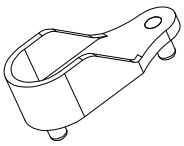
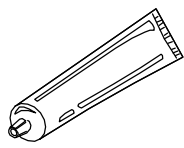
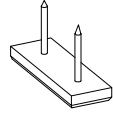
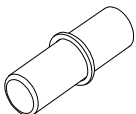
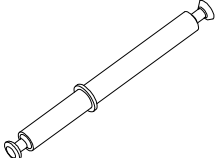

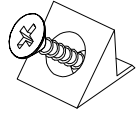

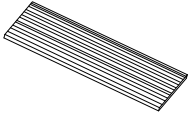
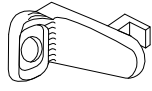
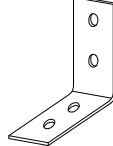

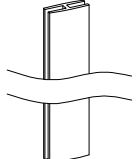
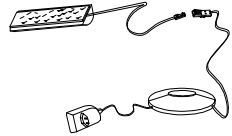
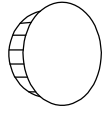
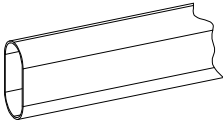
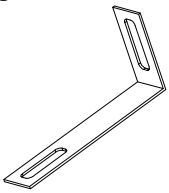
⊕PH1




L-1194 mm

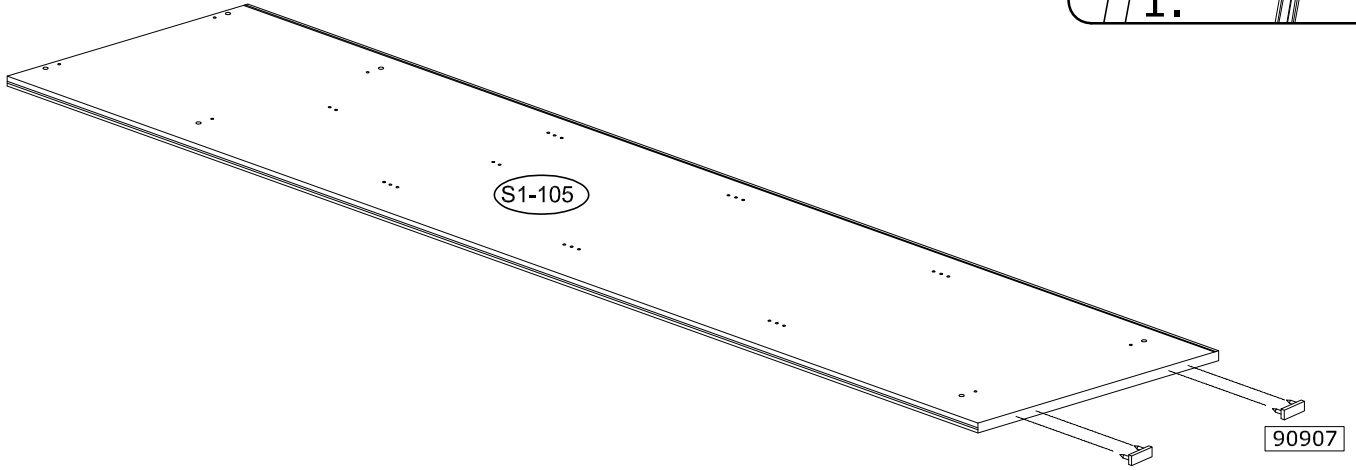
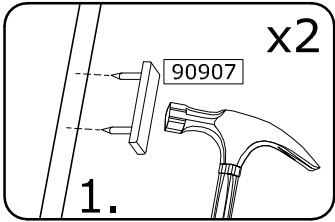
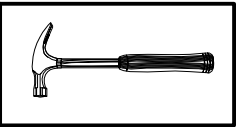





<p>3989</p>  <p>Ø8x30 mm x28</p>	<p>4066</p>  <p>Ø6,5x36,5 mm x16</p>	<p>3996</p>  <p>Ø15x12 mm x20</p>	<p>IN01007</p>  <p>1904/C x6</p>
<p>IN01006</p>  <p>1904/D x6</p>	<p>3918</p>  <p>Ø3,5x16 mm x20</p>	<p>4069</p>  <p>x2</p>	<p>136236</p>  <p>Ø15 mm x20</p>
<p>3983</p>  <p>10 g x1</p>	<p>90907</p>  <p>45x15x5 mm x8</p>	<p>3878</p>  <p>Ø6,3x11 mm x9</p>	<p>4017</p>  <p>Ø5x16 mm x12</p>
<p>4062</p>  <p>Ø6,5x76 mm x2</p>	<p>3879</p>  <p>Ø6,3x13 mm x6</p>	<p>4044</p>  <p>15x14x11 mm x22</p>	<p>3912</p>  <p>Ø3,0x13 mm x22</p>
<p>3993</p>  <p>150x4 mm x15</p>	<p>4079</p>  <p>30x25x16 mm x9</p>	<p>3981</p>  <p>40x40x20 mm x4</p>	<p>3923</p>  <p>Ø4,0x16 mm x42</p>
<p>IN00378</p>  <p>L-2015 mm x2</p>	<p>IN00506</p>  <p>x3</p>	<p>IN01629</p>  <p>Ø10 mm x4</p>	<p>81150</p>  <p>L-1964mm x4</p>
<p>IN00081</p>  <p>L-1194mm x1</p>	<p>71900</p>  <p>75x15x32 mm x2</p>		


1

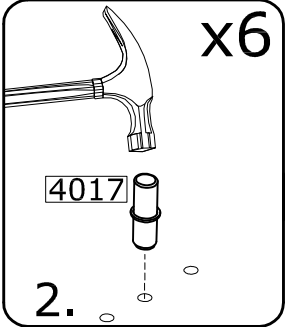
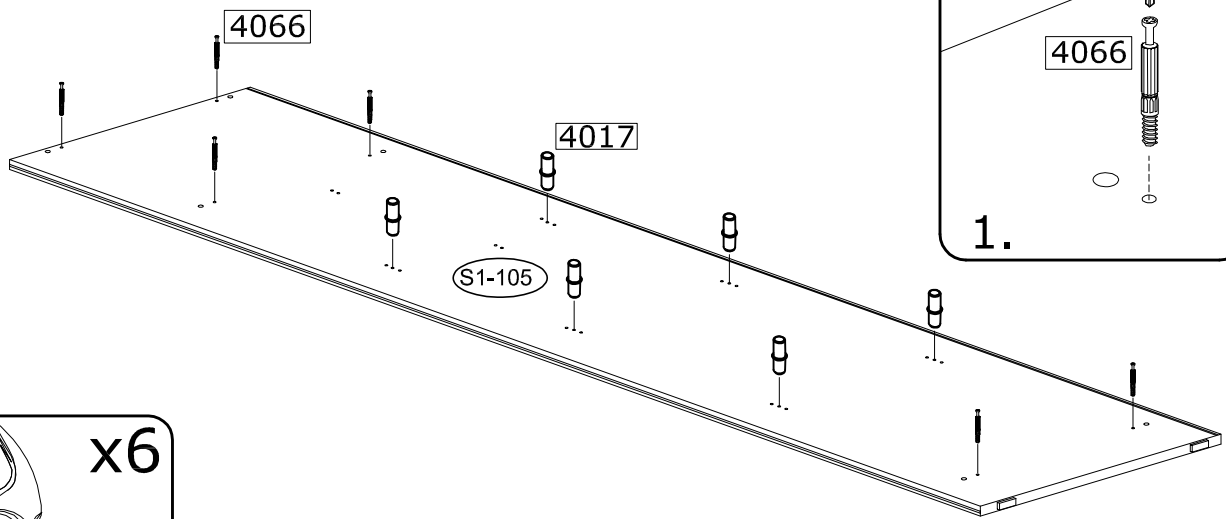
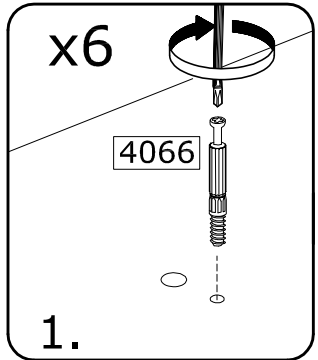
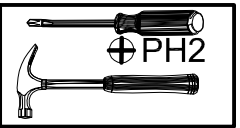
90907  x2







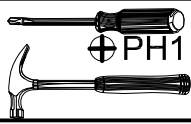
2

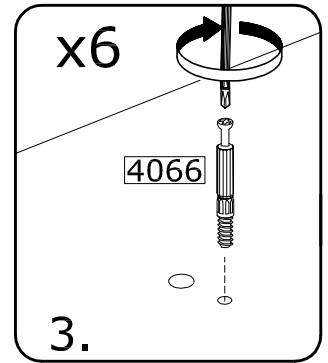
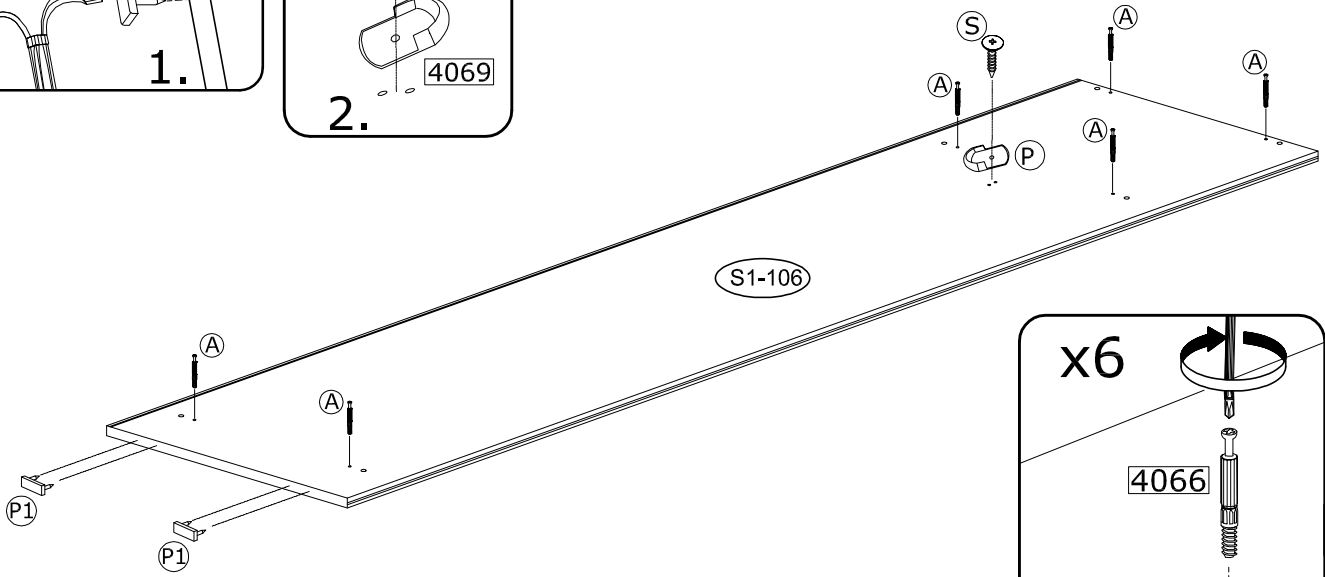
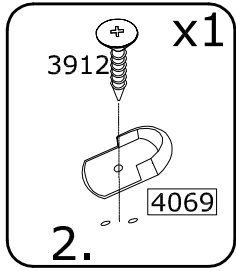
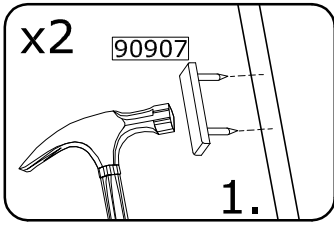
4066  x6

4017  x6



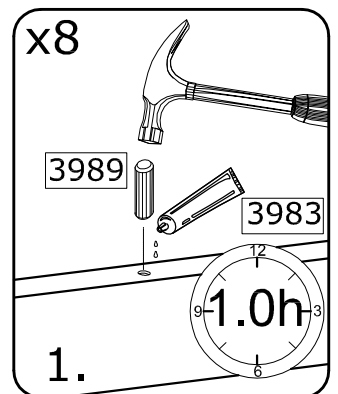
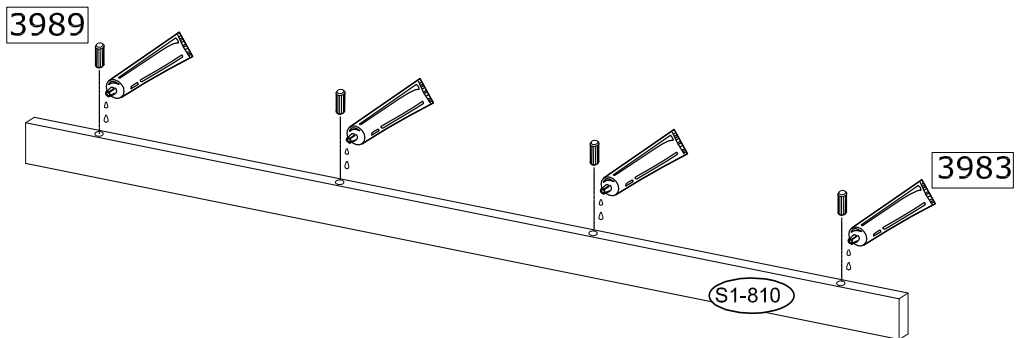
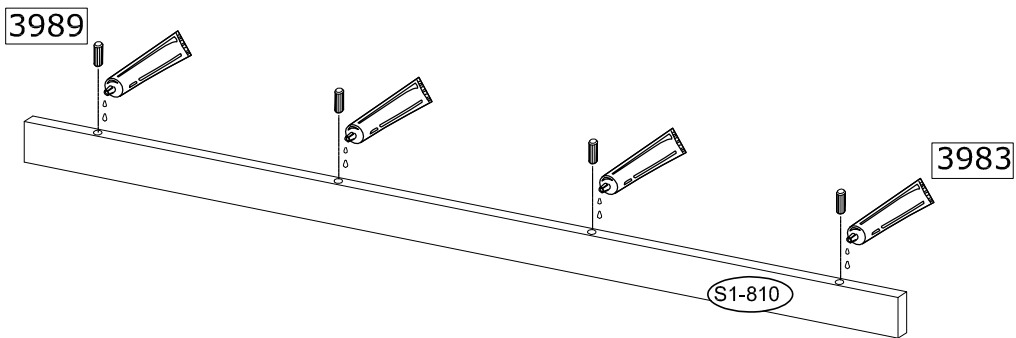
3

90907  x2	4069  x1	3912  x1	4066  x6		 ⊕ PH1
---	--	--	--	--	---

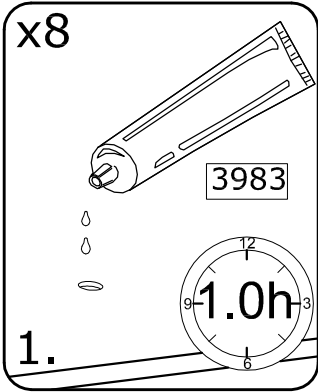
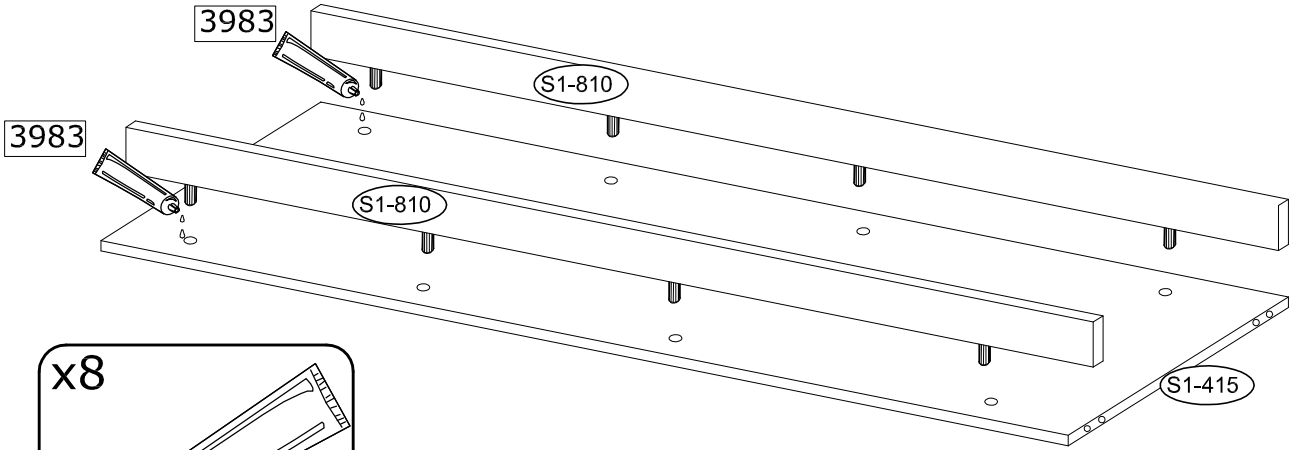
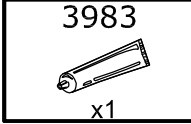


4

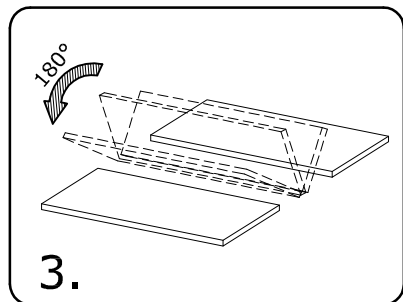
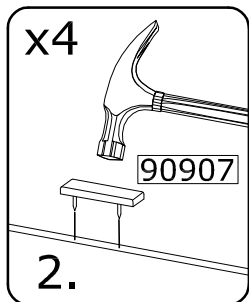
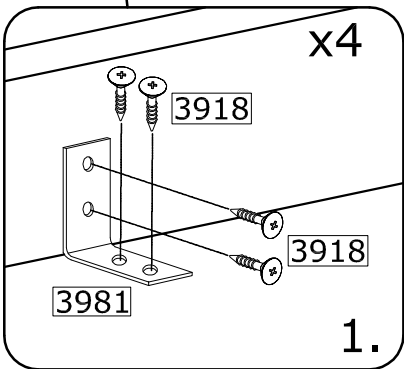
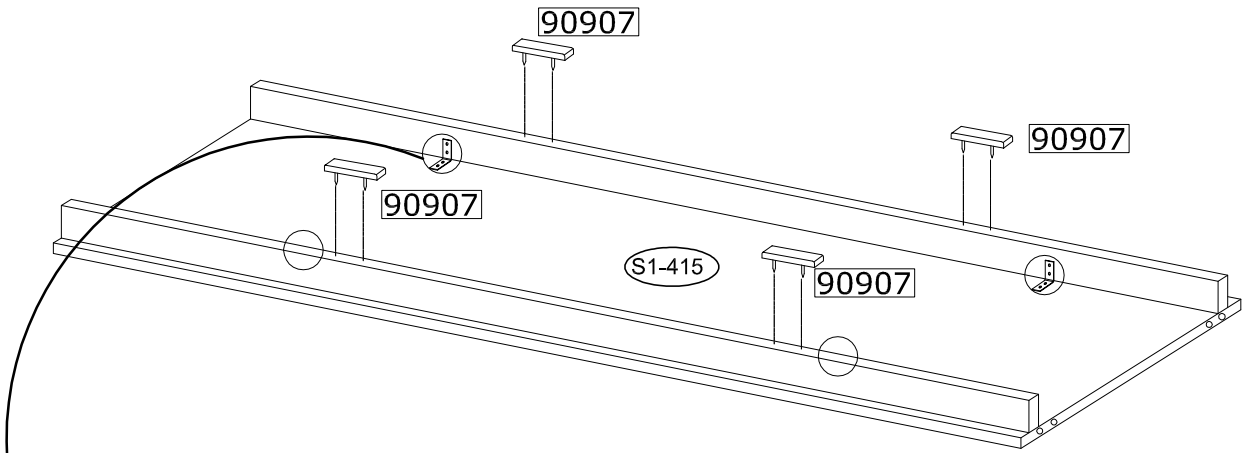
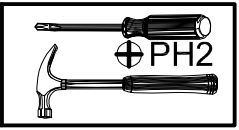
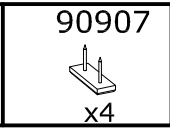
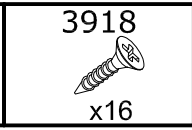
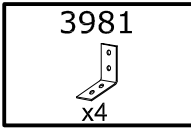
3989  x8	3983  x1		
---	---	--	---



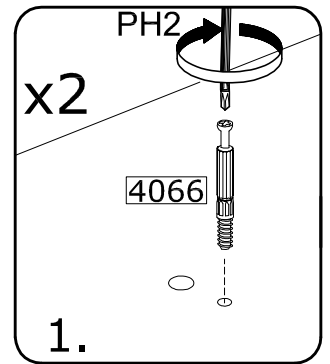
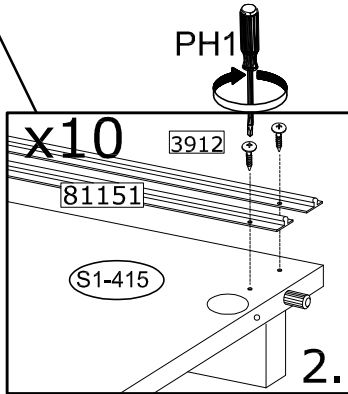
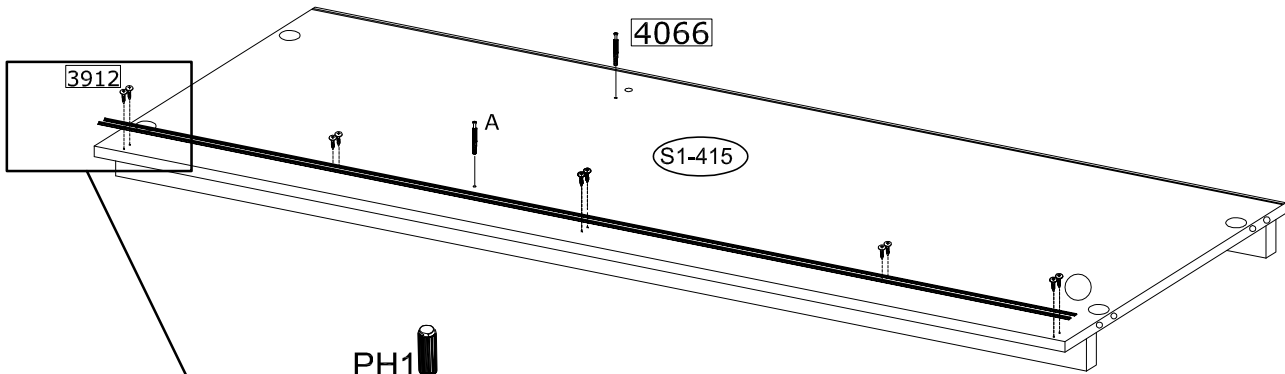
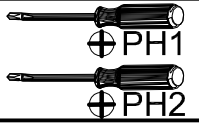
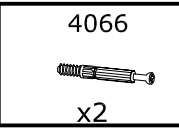
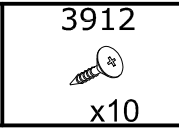
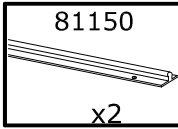
5



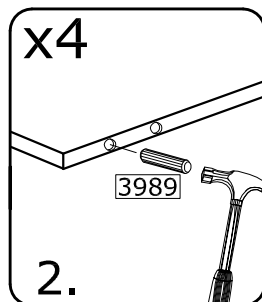
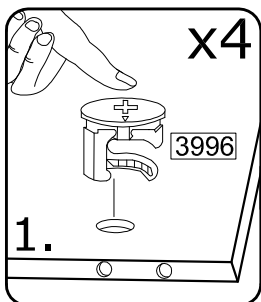
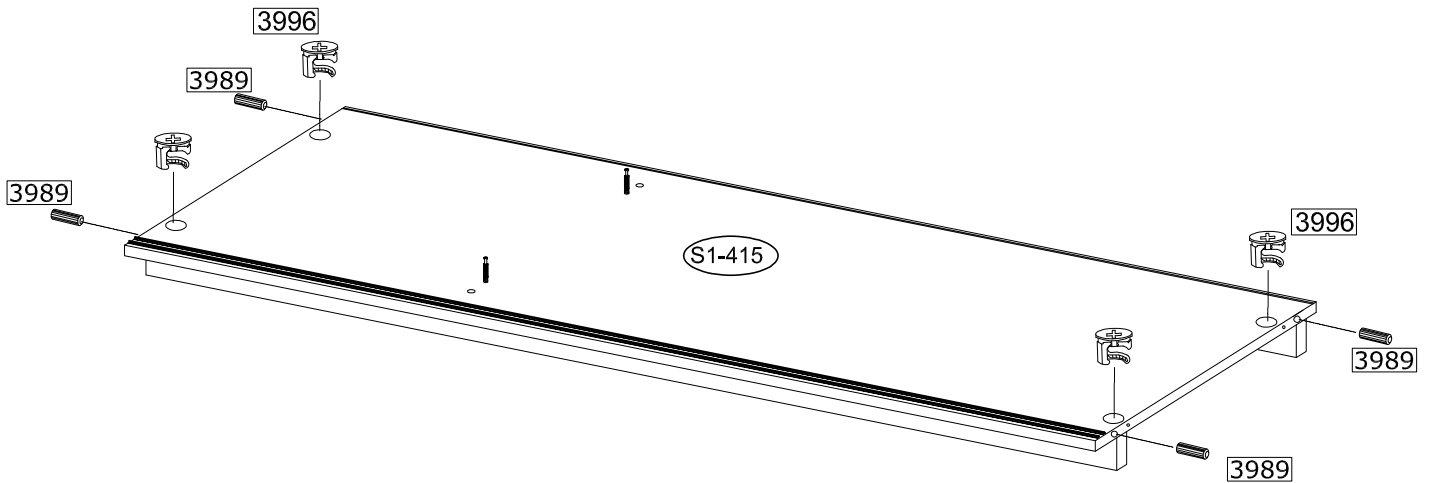
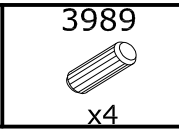
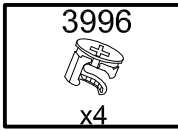
6



7

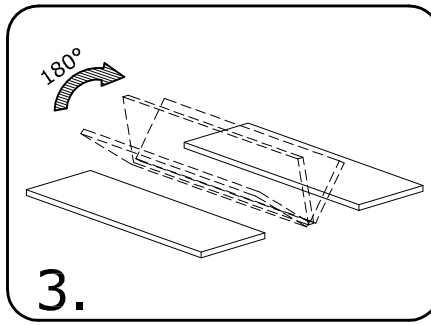
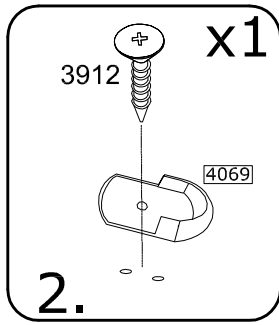
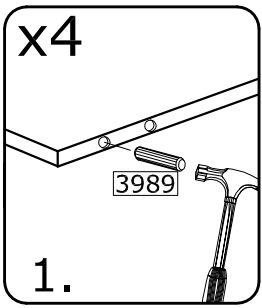
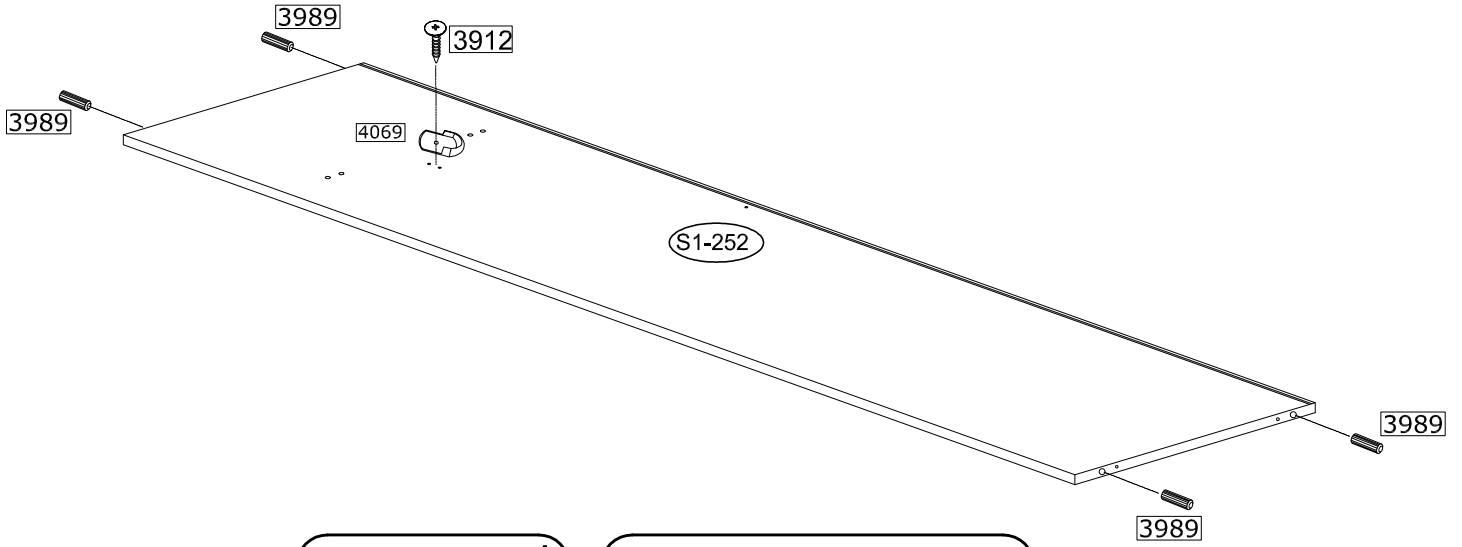


8



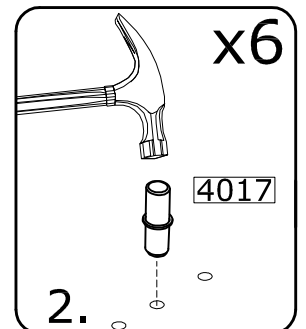
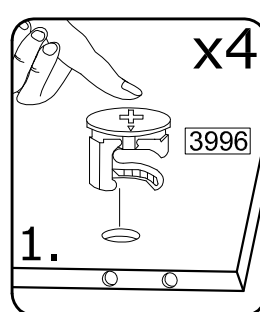
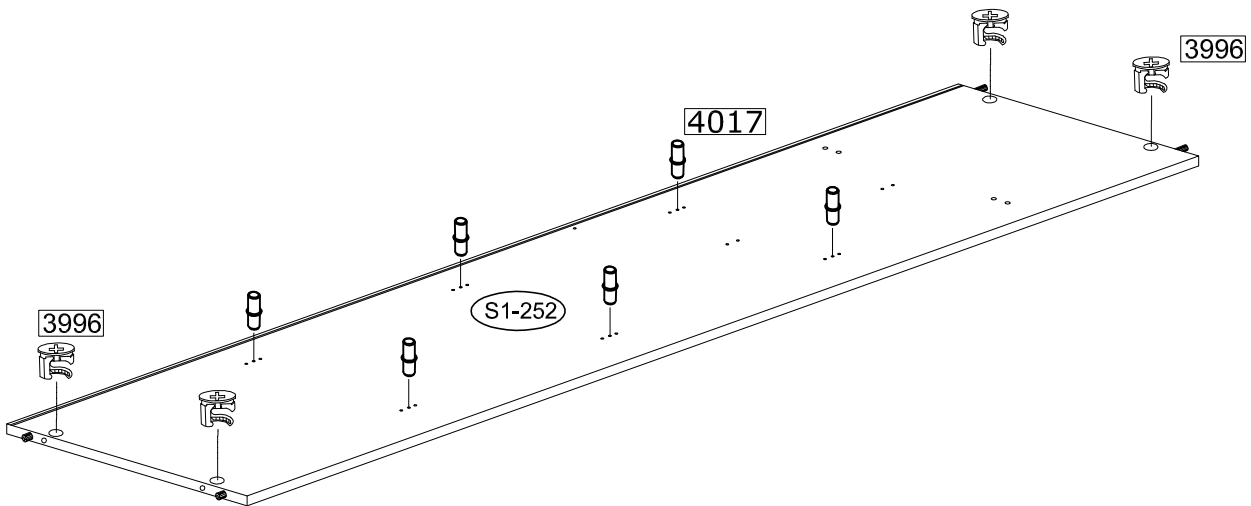
9

3989 x4	4069 x1	3912 x1		
------------	------------	------------	--	--



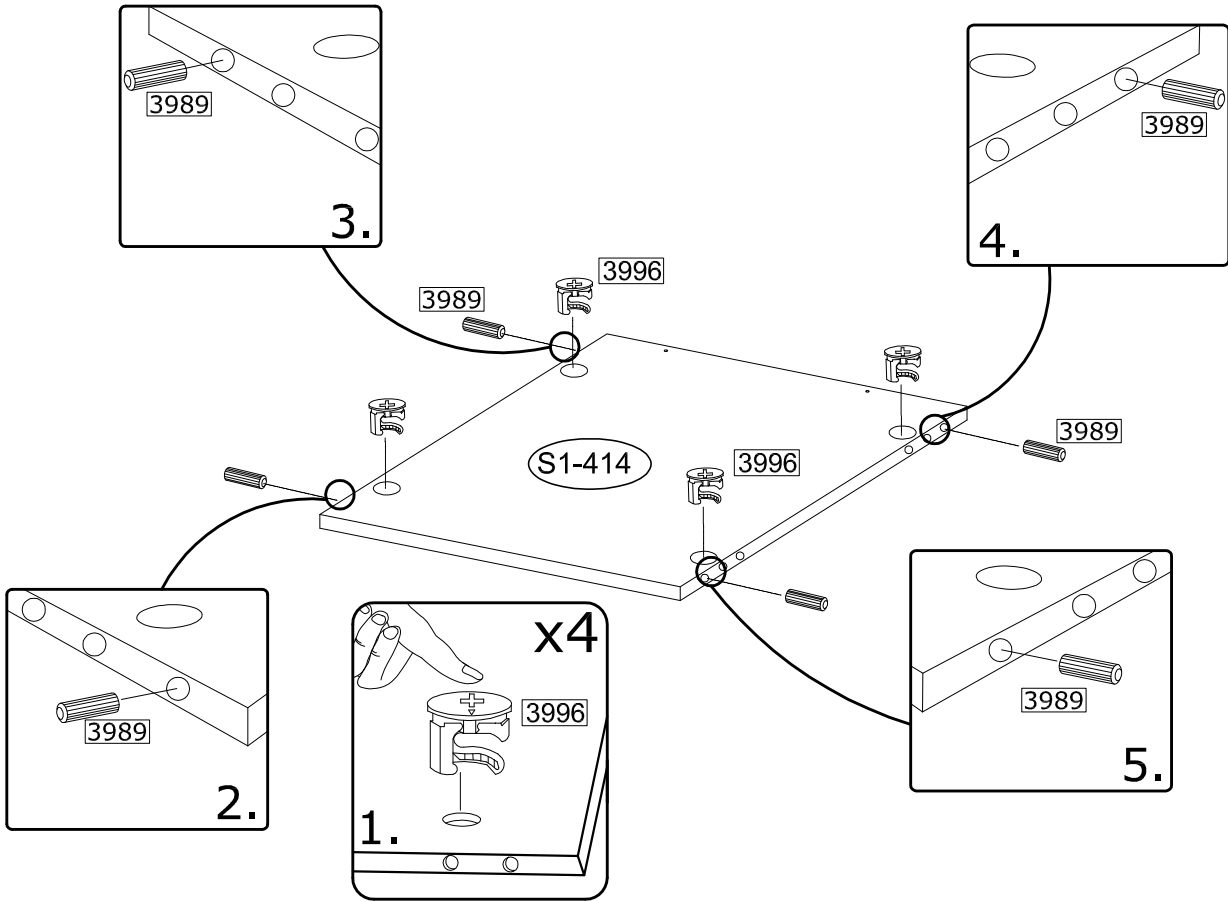
10

3996 x4	4017 x6		
------------	------------	--	---



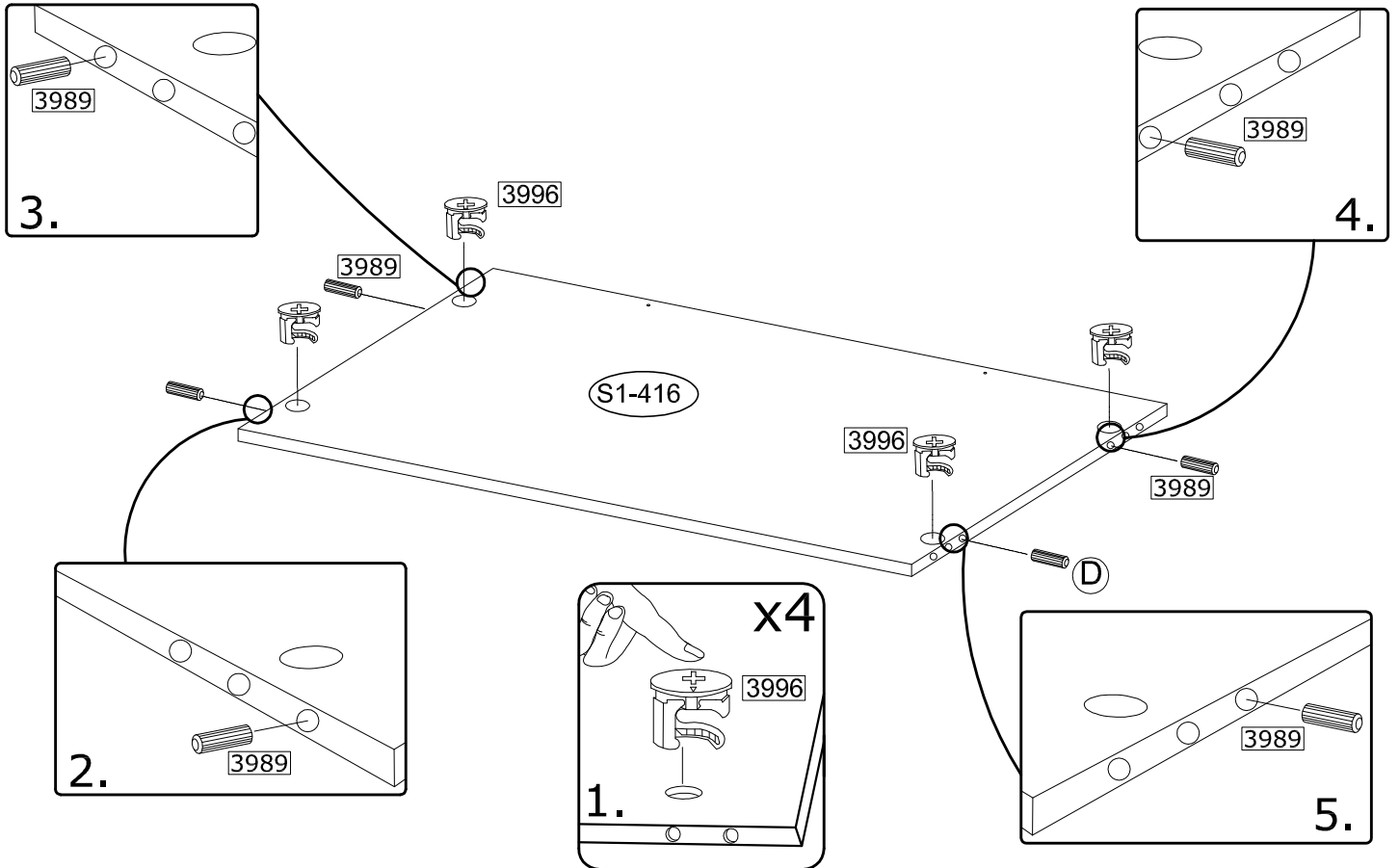
11

3996  x4	3989  x4		
--	--	--	--



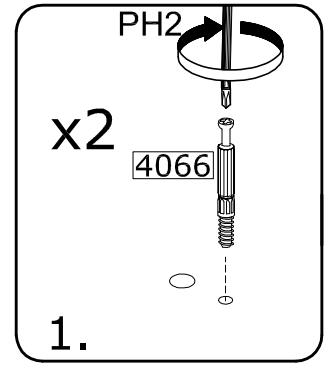
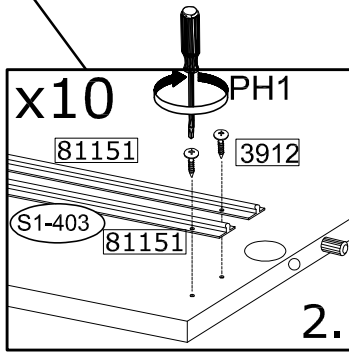
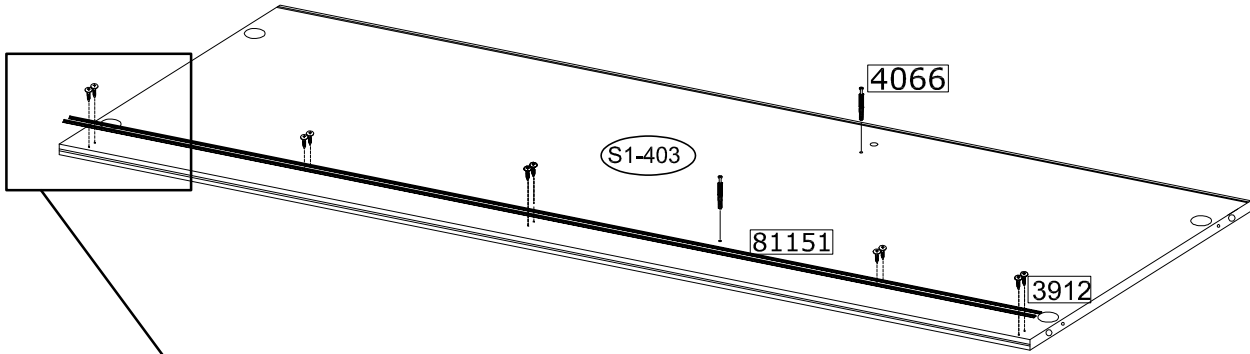
12

3996  x4	3989  x4		
---	---	--	---



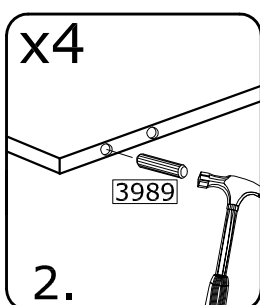
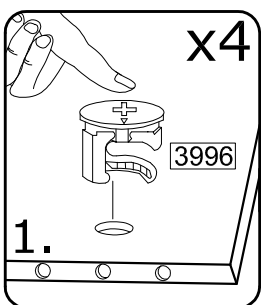
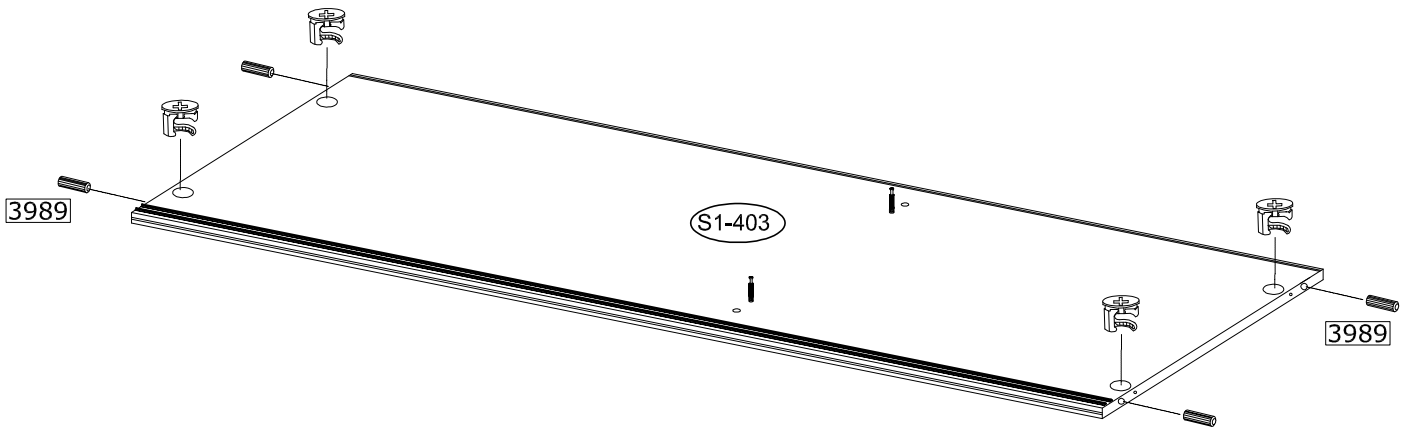
13

 81150 x2	 3912 x10	 4066 x2		 ⊕ PH1  ⊕ PH2
---	---	--	--	---

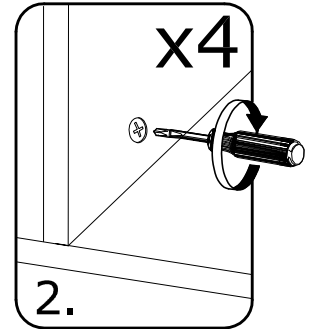
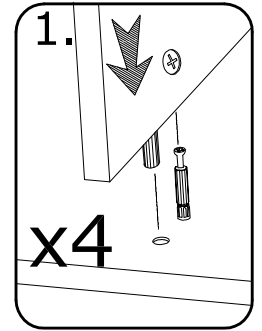
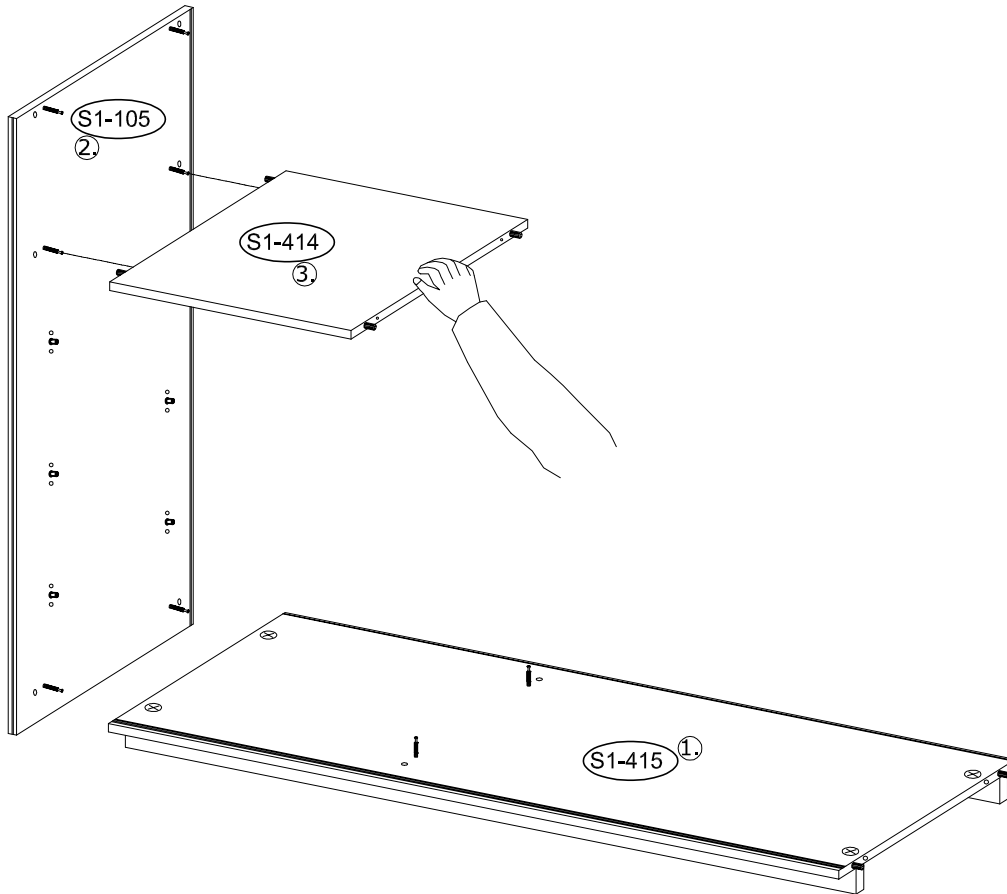


14

 3996 x4	 3989 x4		
---	---	--	---

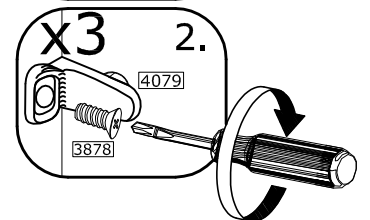
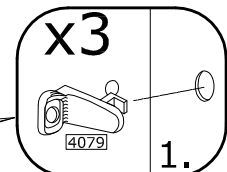
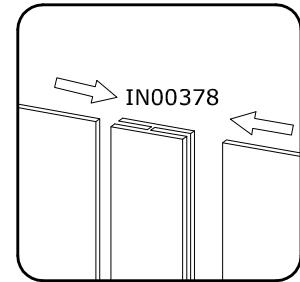
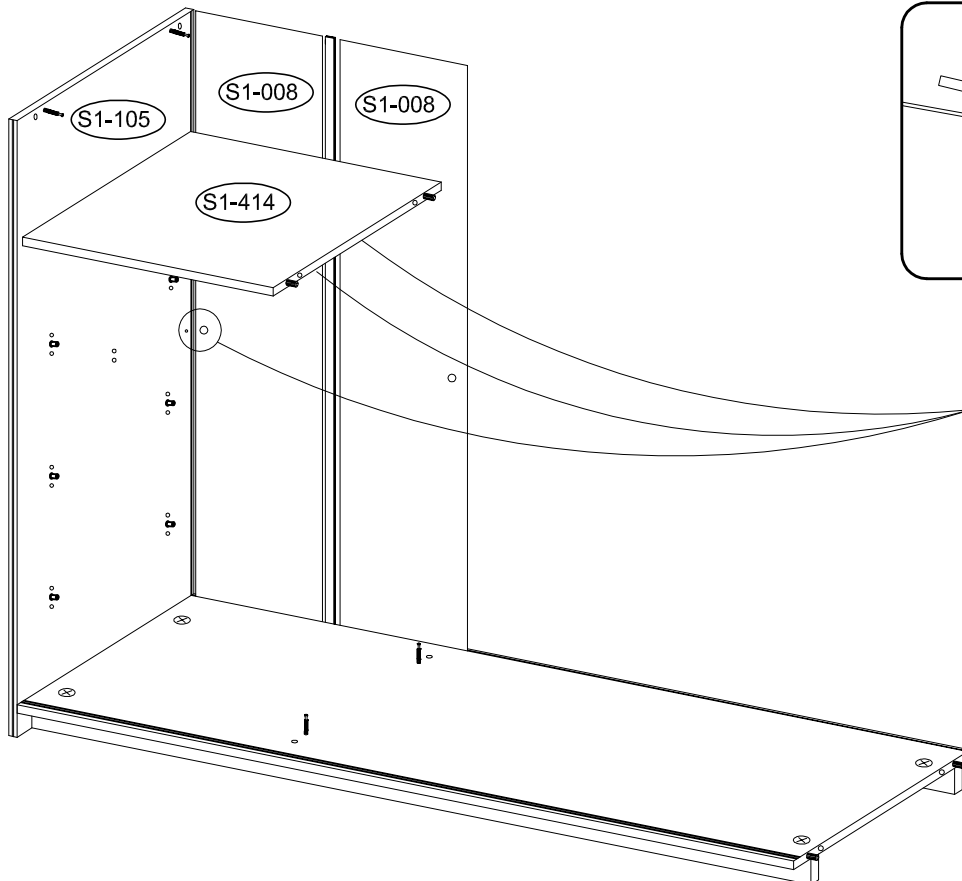


15

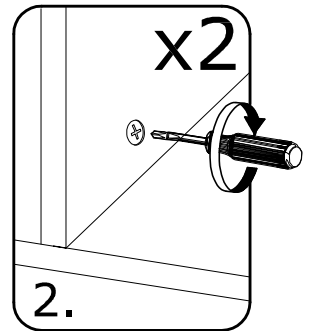
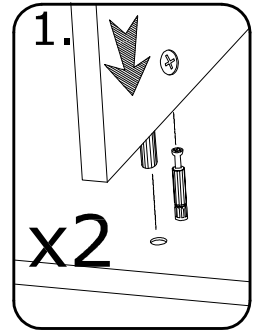
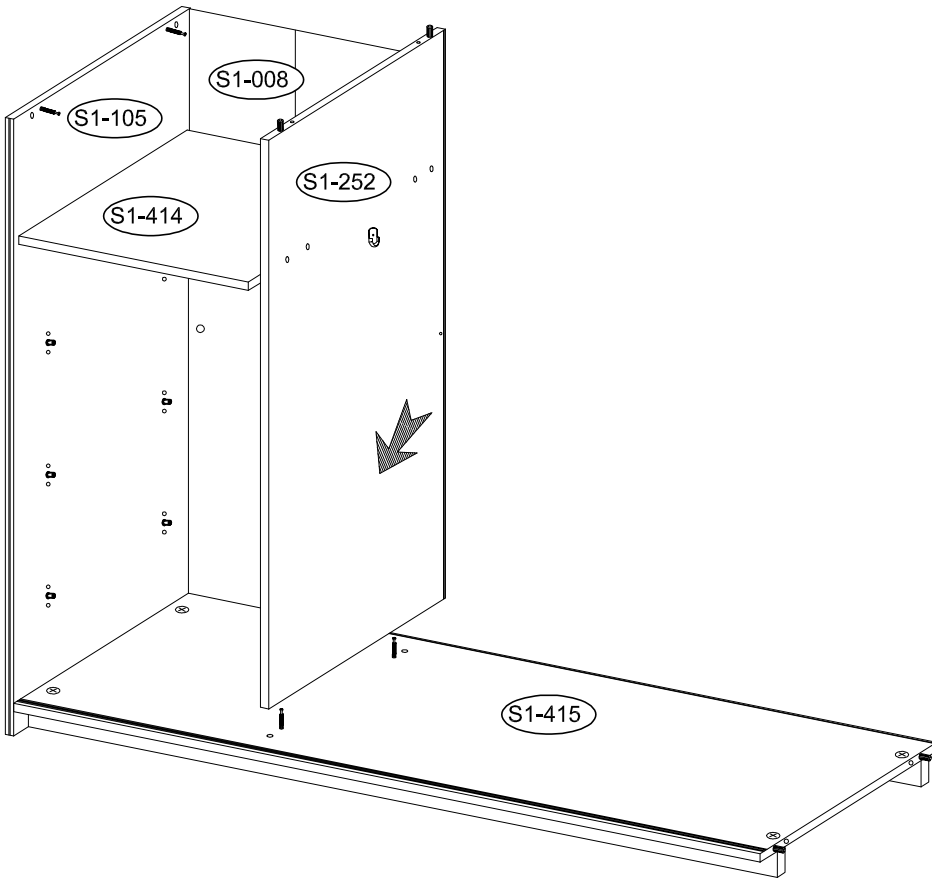


16

4079  x3	3878  x3	IN00378  x1		 PH2
---	---	--	--	--



17



18

IN00378



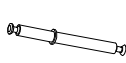
x1

4079



x4

4062

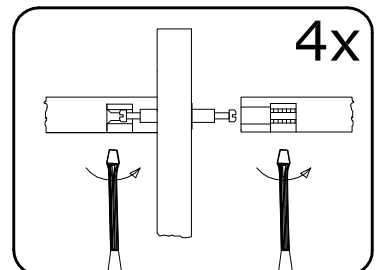
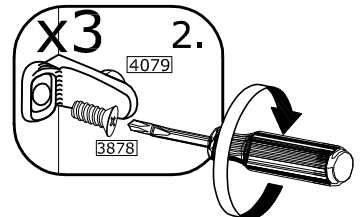
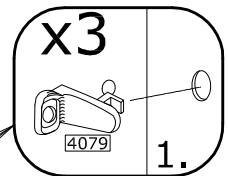
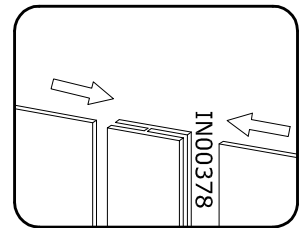
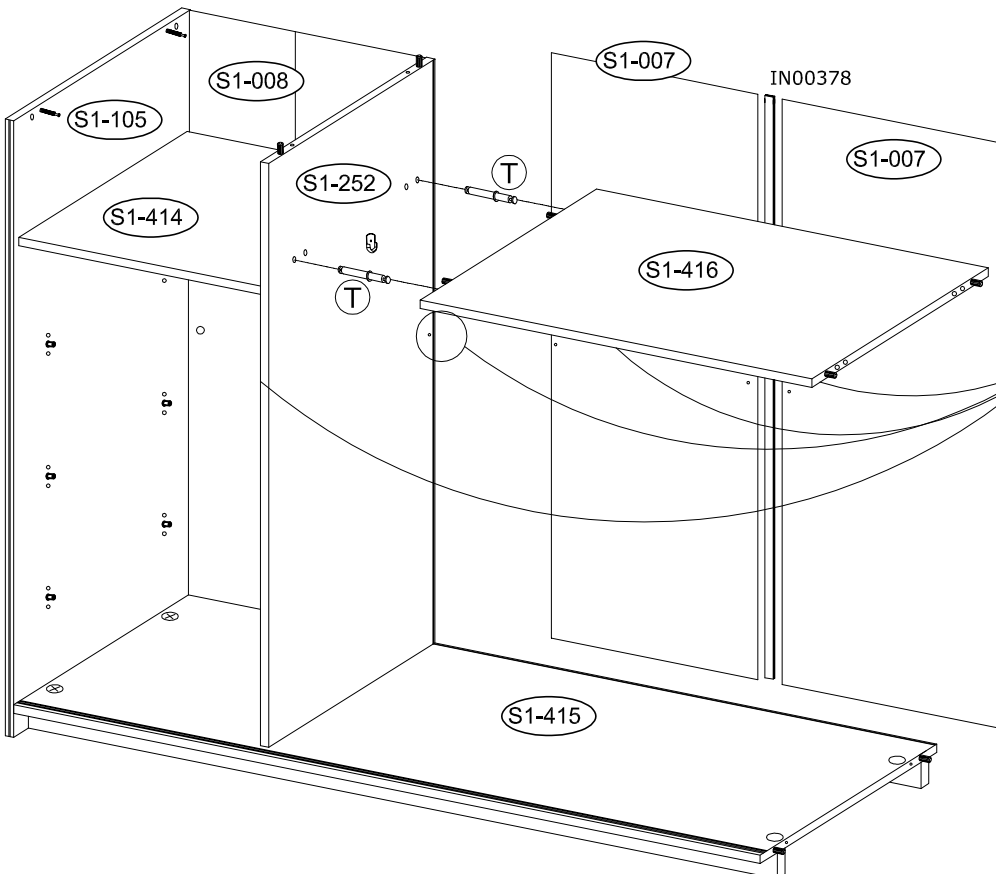


x2

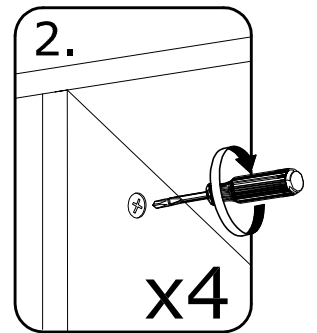
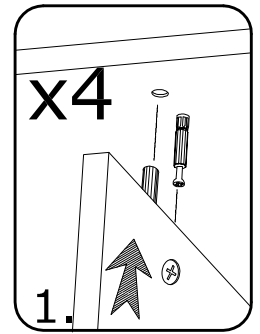
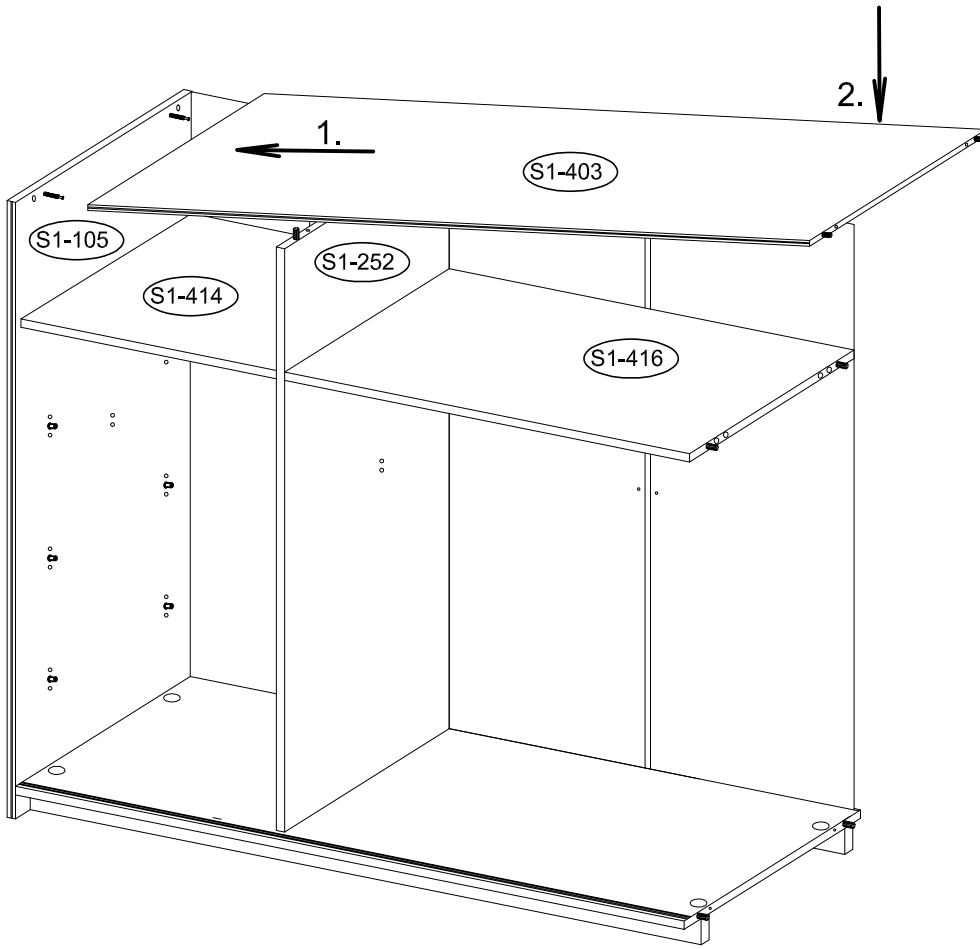
3878



x4



19



20

4079

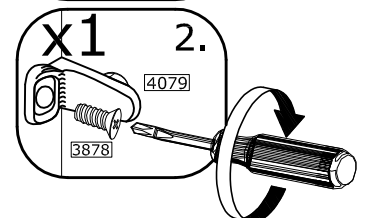
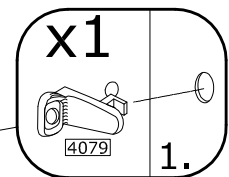
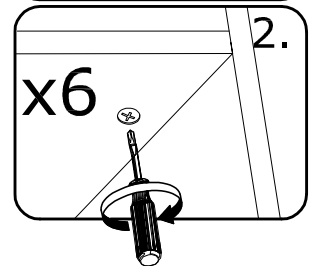
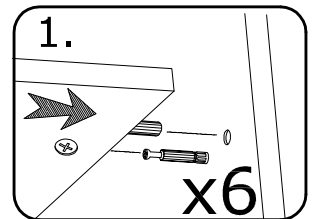
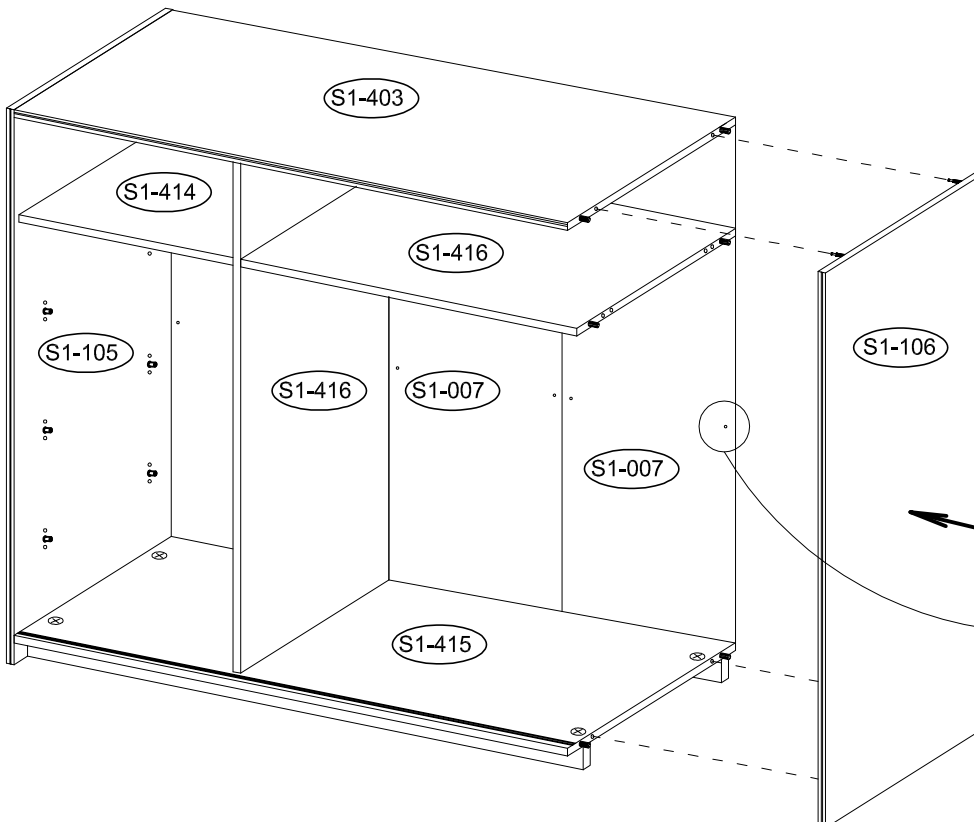
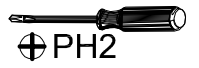


x1

3878



x1

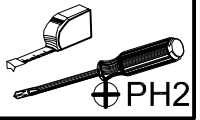


21

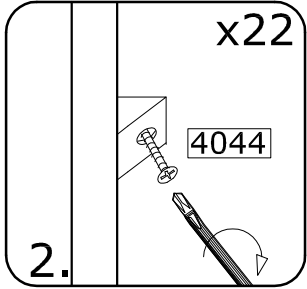
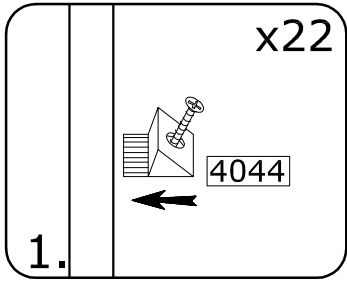
4044



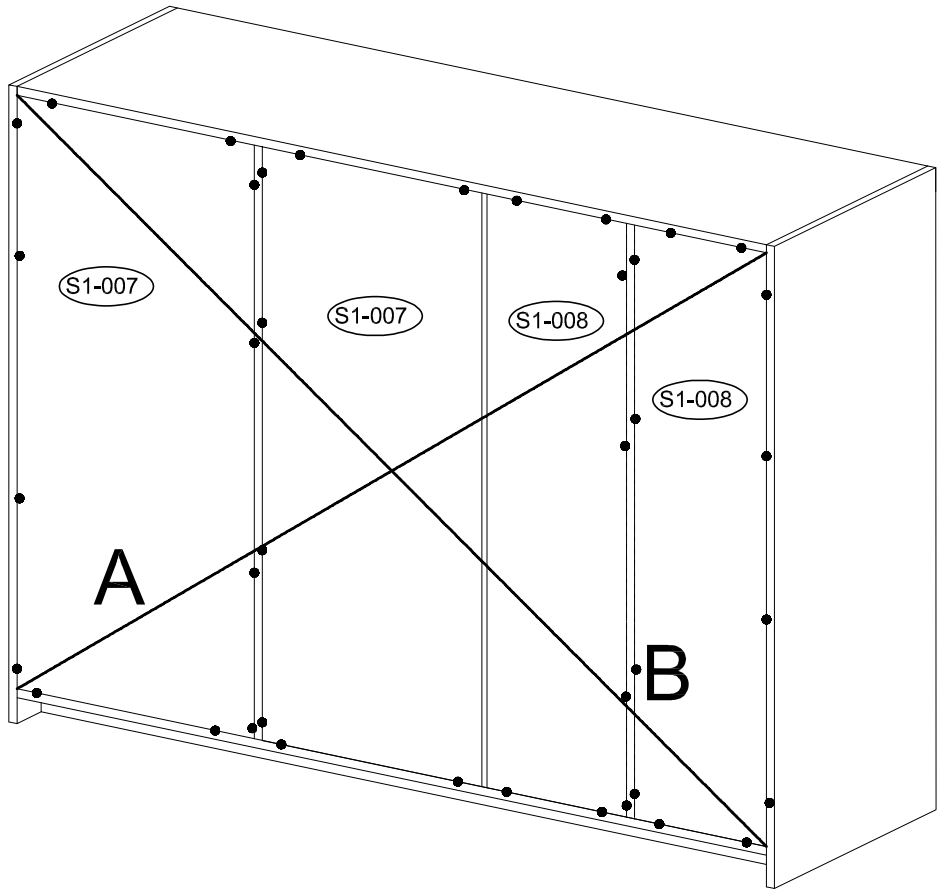
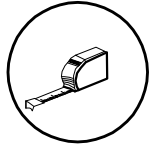
x22



PH2



A=B



22

IN01629

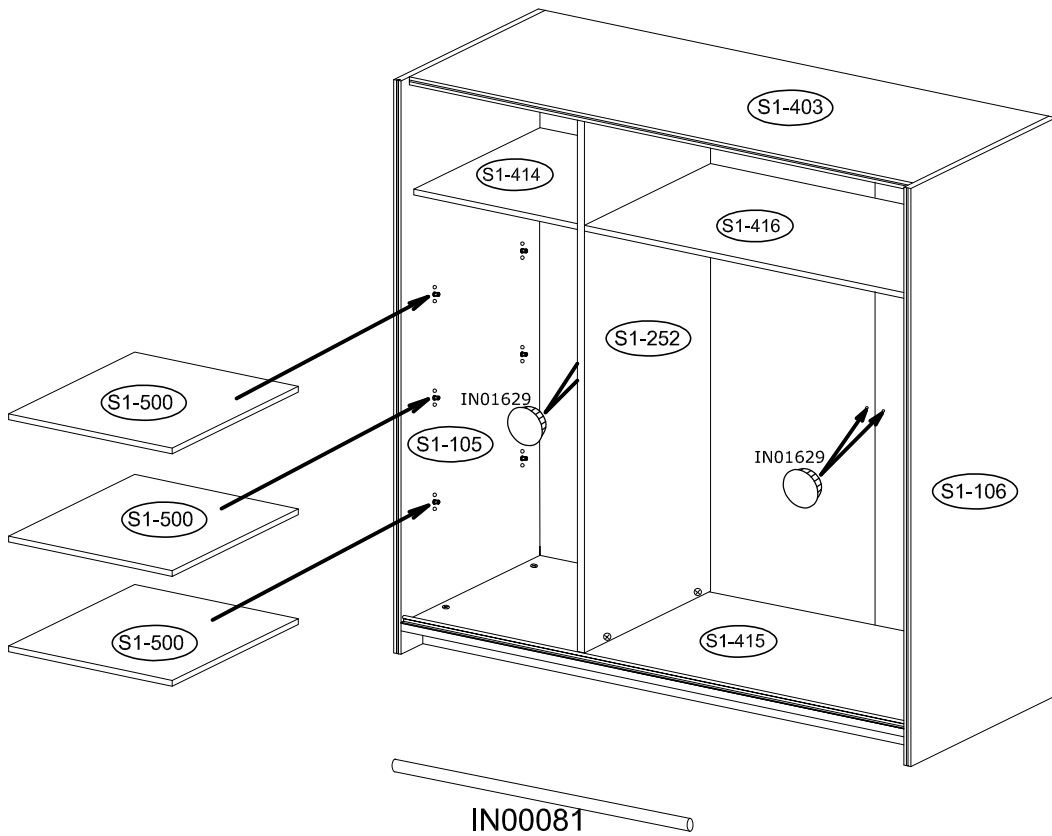


x4






IN00081

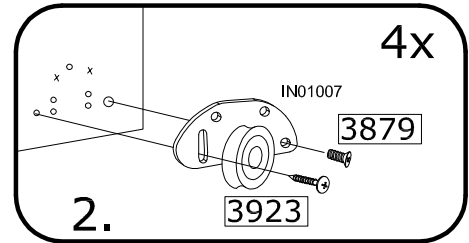
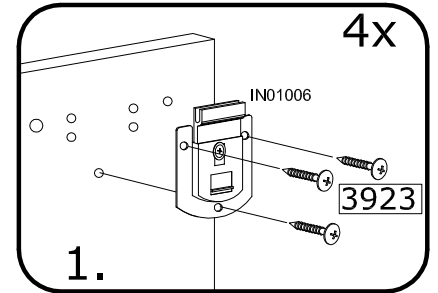
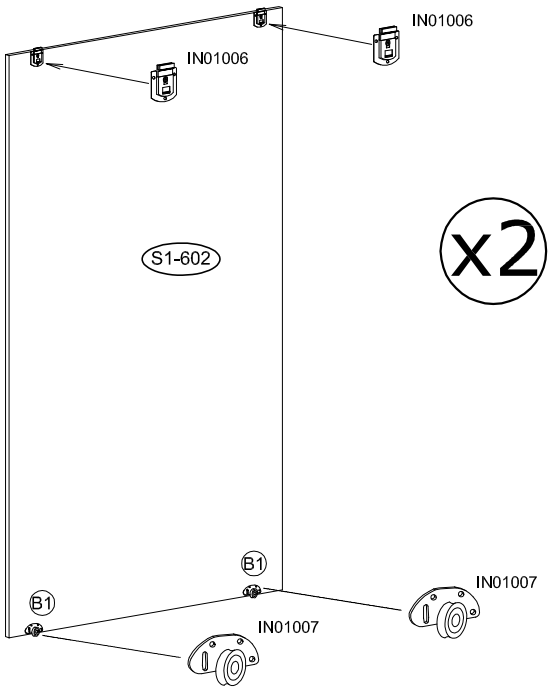


x1








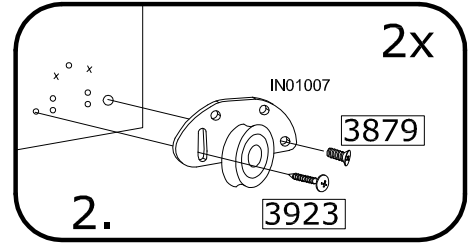
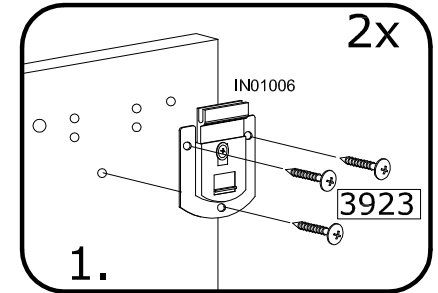
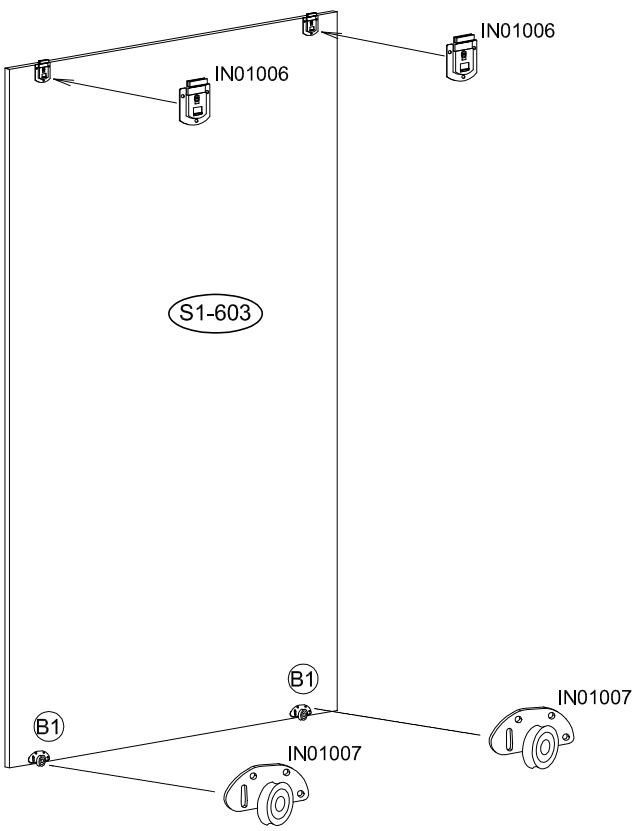
23

IN01006  x4	3923  x16	3879  x4	IN01007  x4		 ⊕ PH2
---	---	--	---	--	---



24

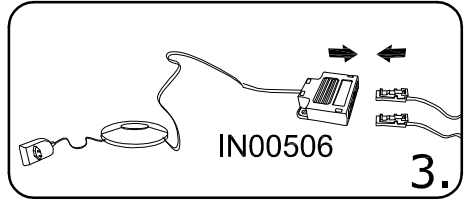
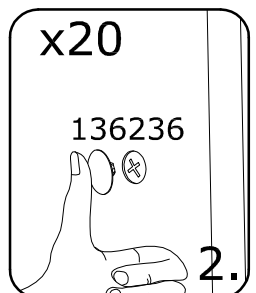
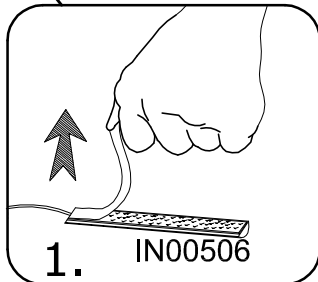
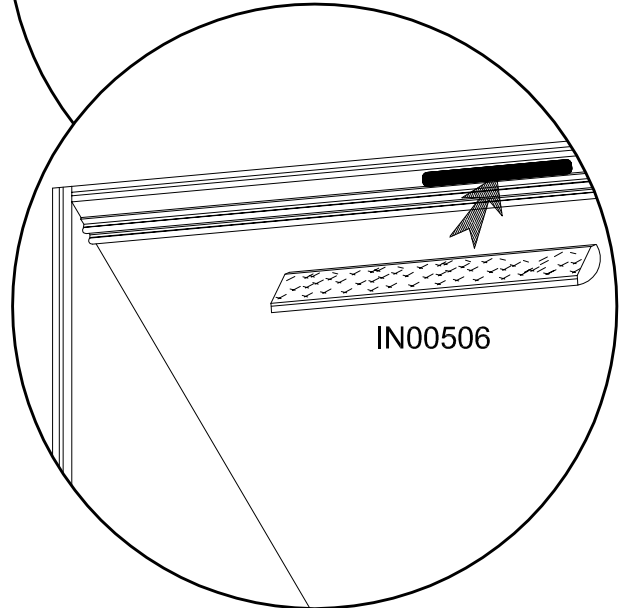
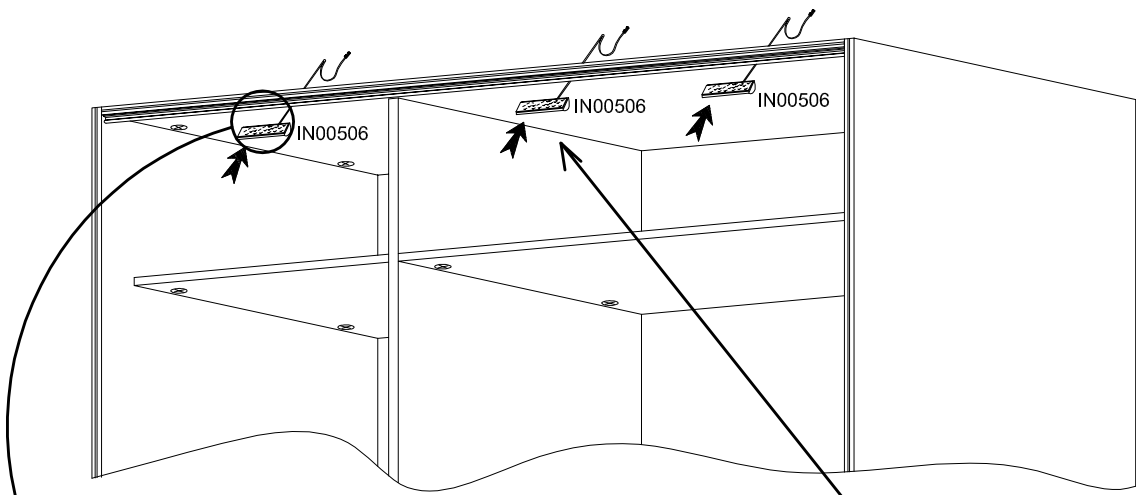
IN01006  x2	3923  x8	3879  x2	IN01007  x2		 ⊕ PH2
--	---	---	--	--	--



25

IN00506
x3

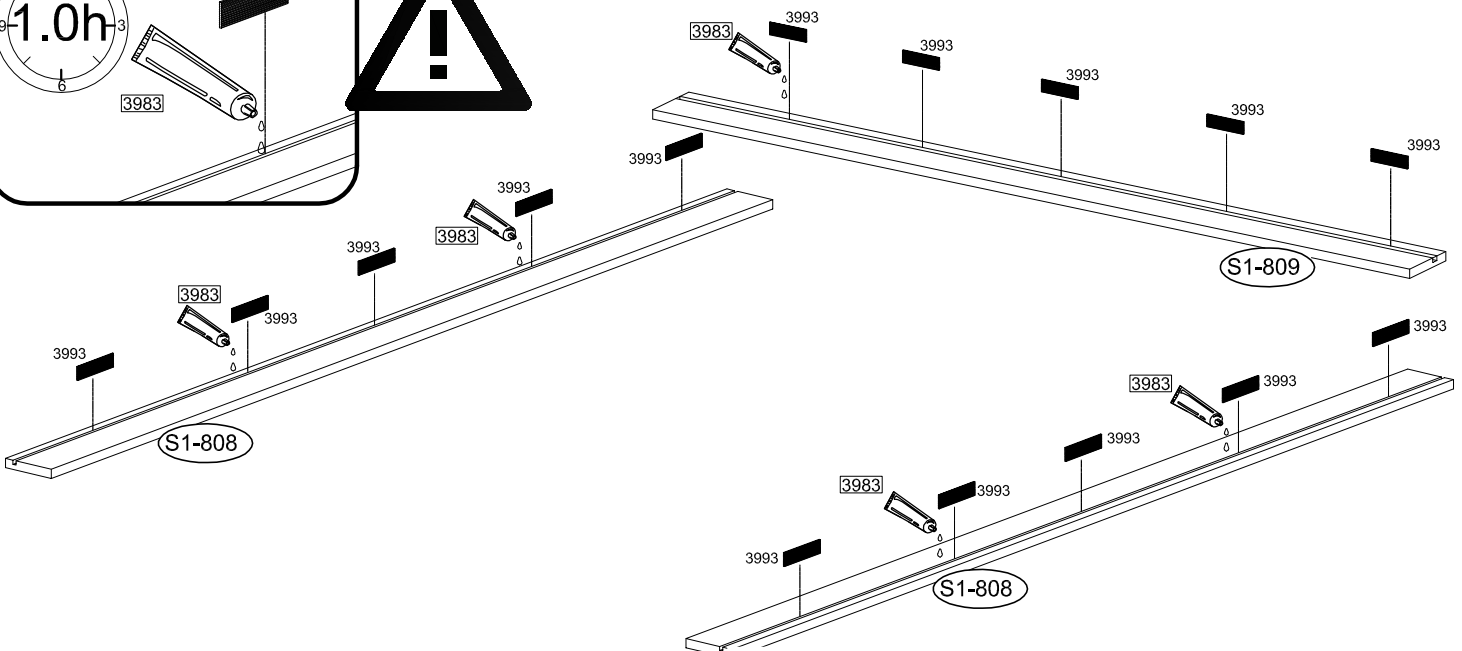
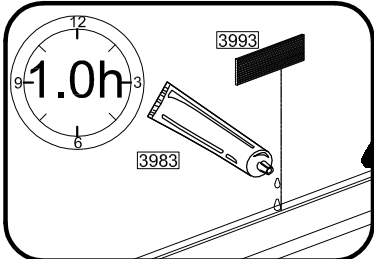
136236
x20



26

3983
x1

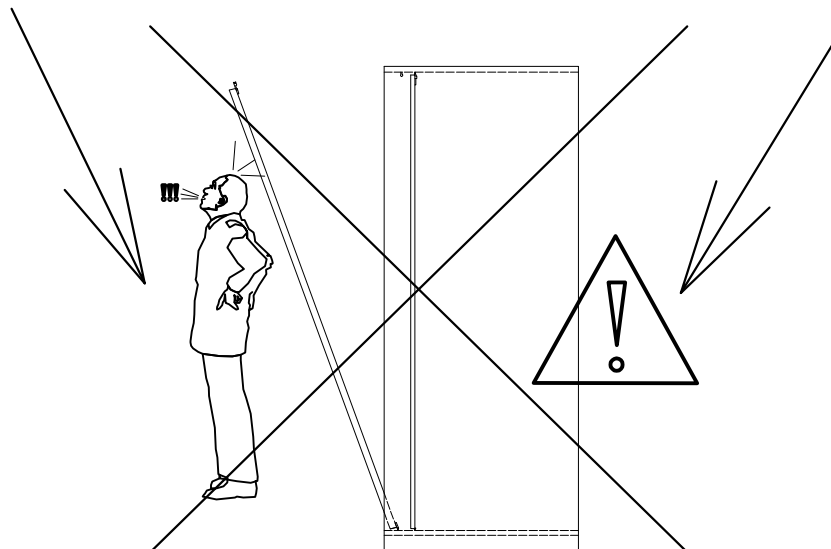
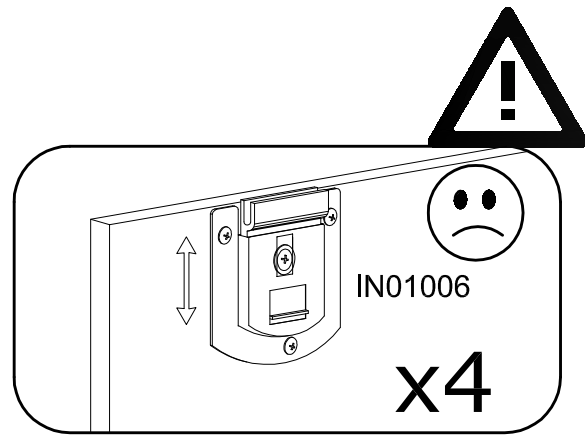
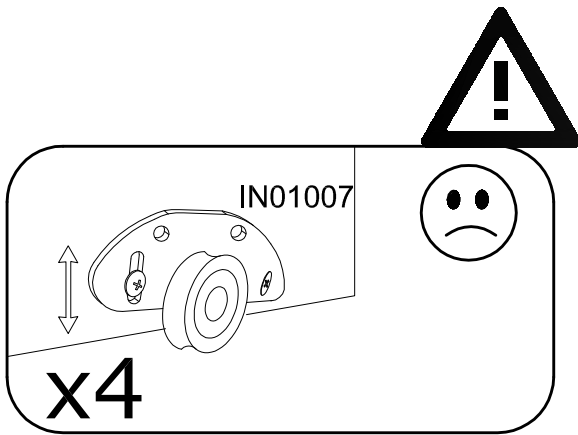
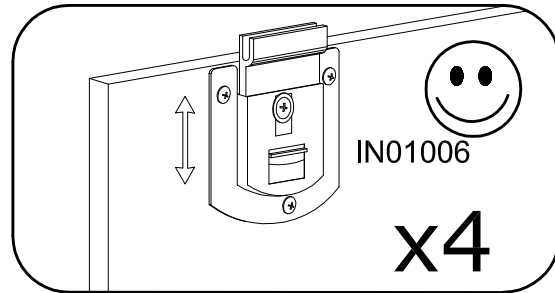
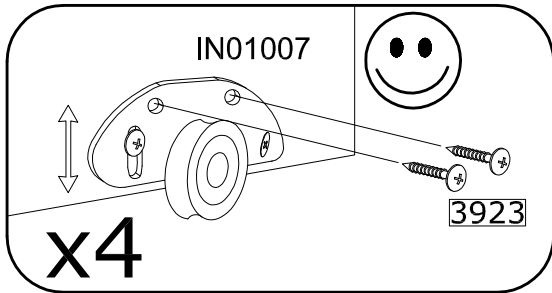
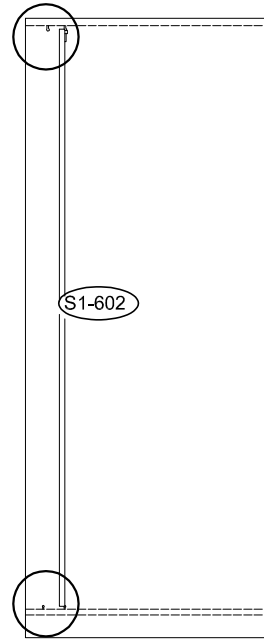
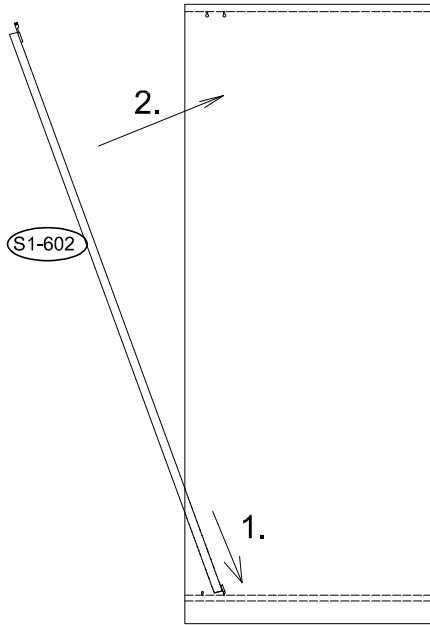
3993
x15



3923



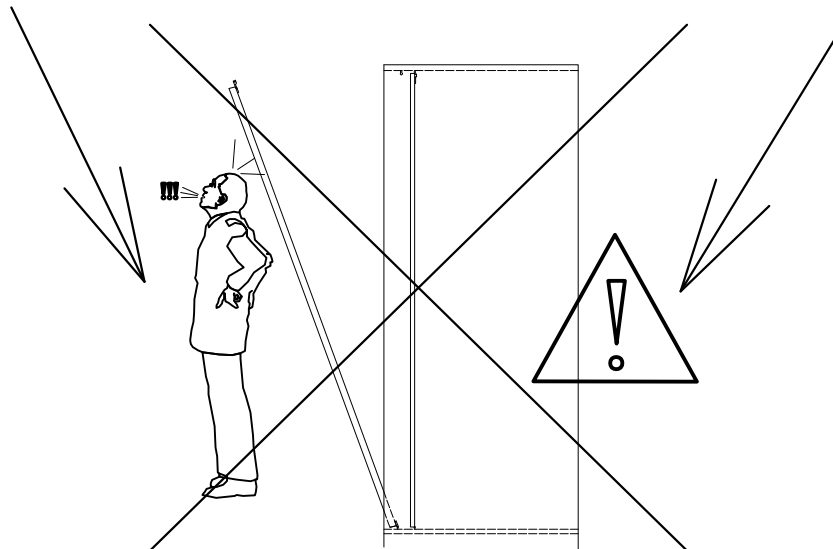
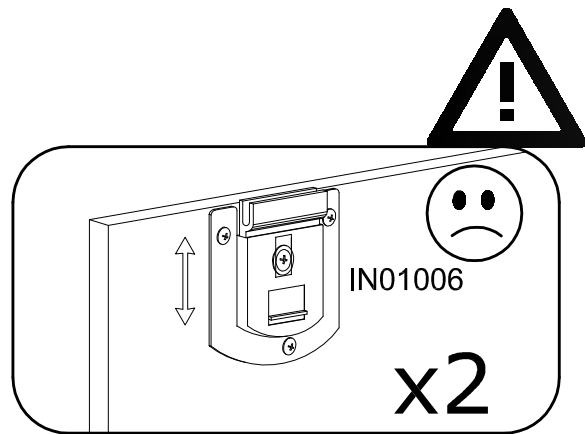
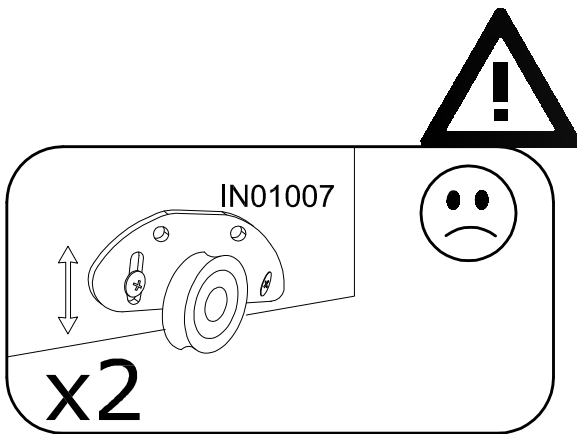
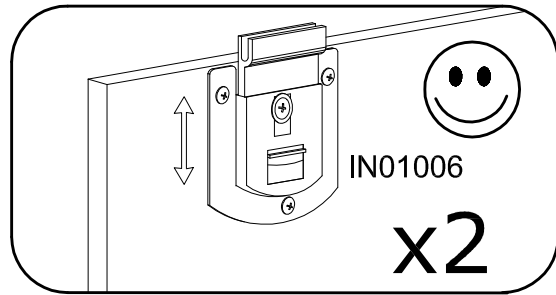
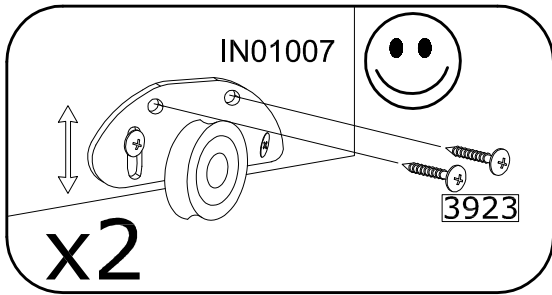
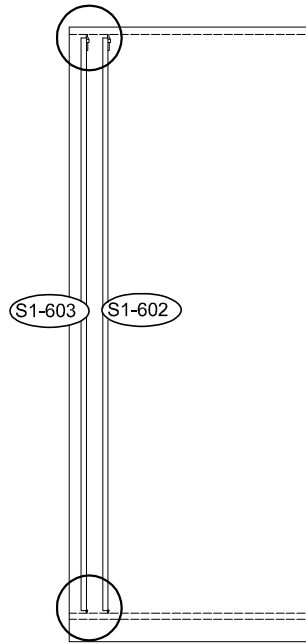
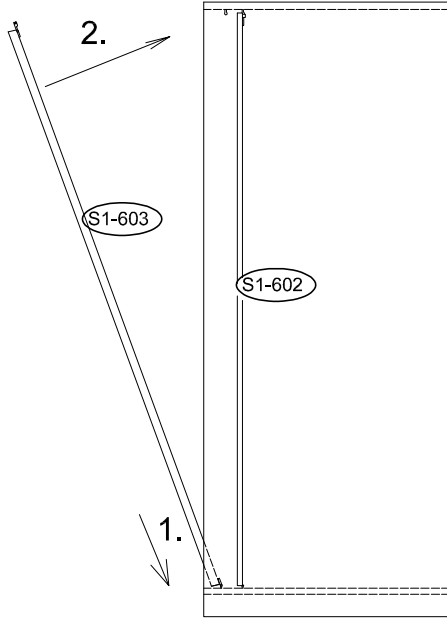
x8



3923



R-4

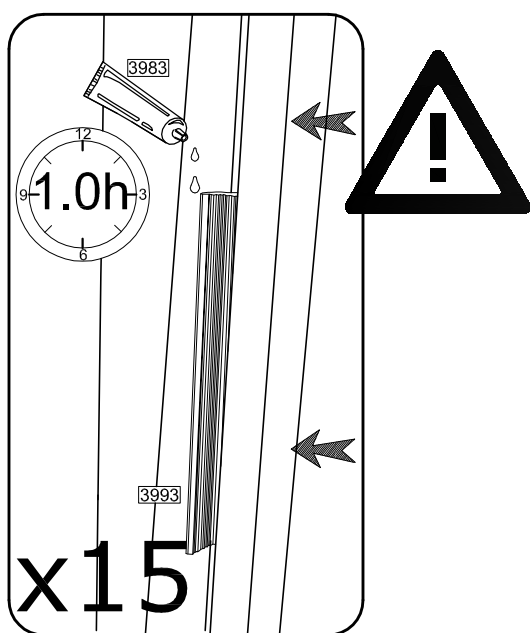
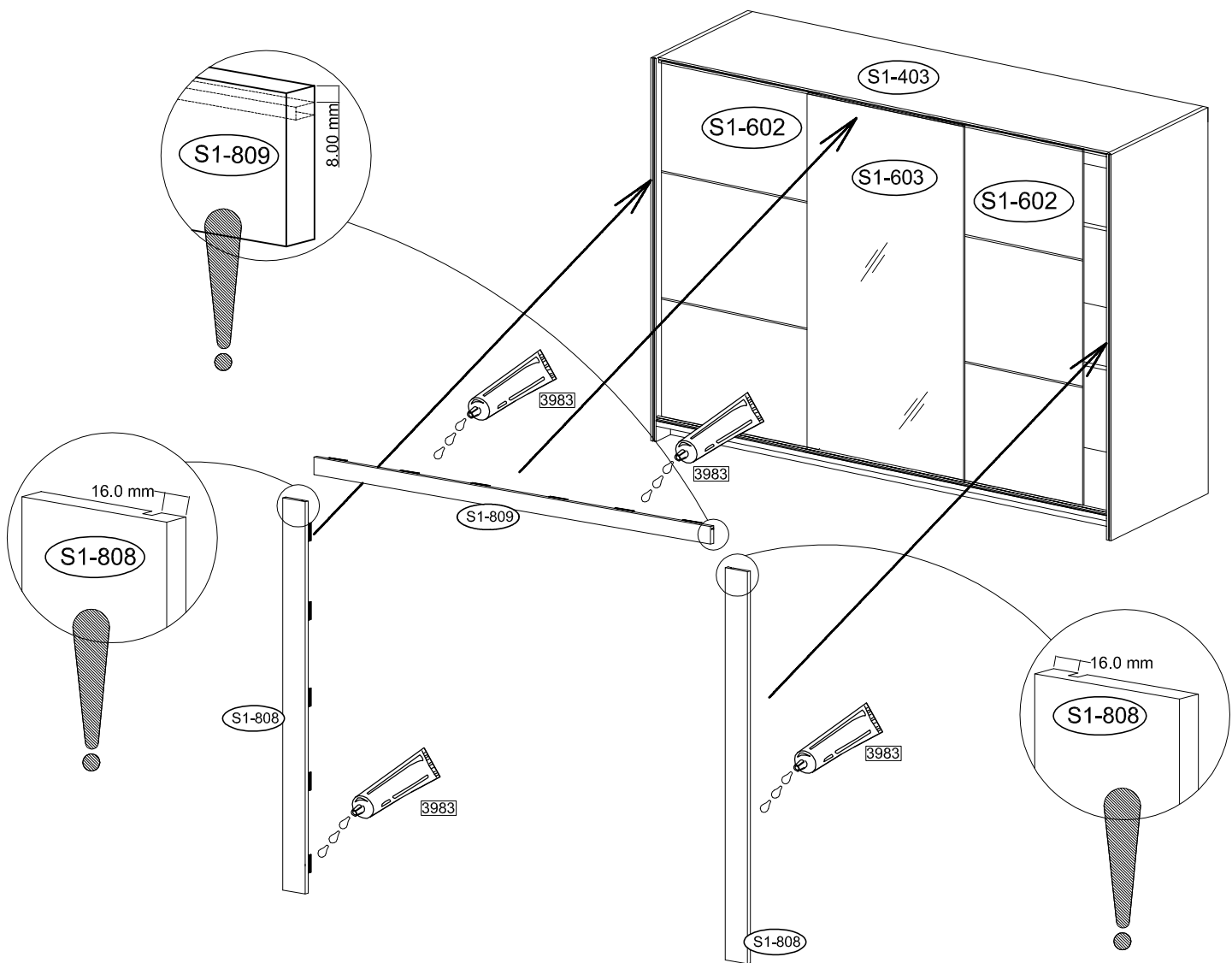


29

3983



x1



30

71900



x2

3918



x4



PH2

