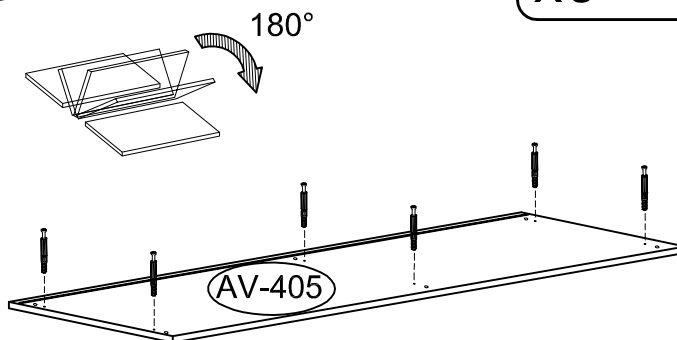
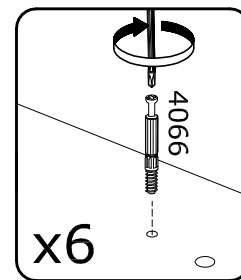
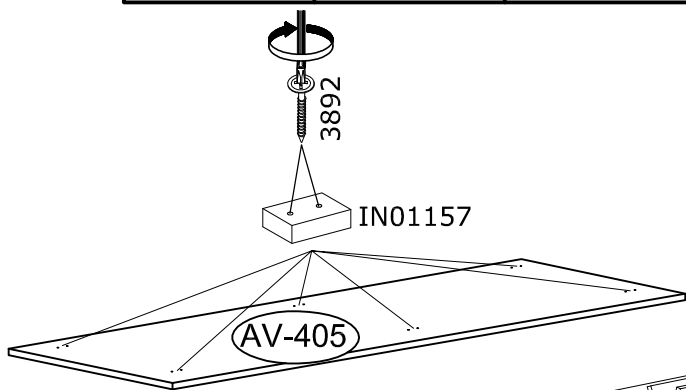


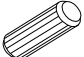





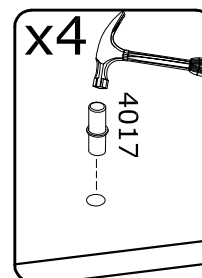
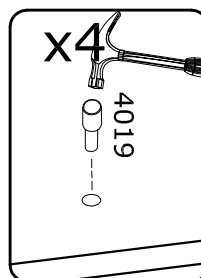
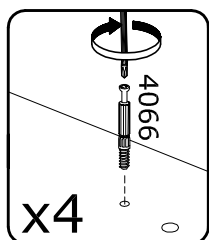
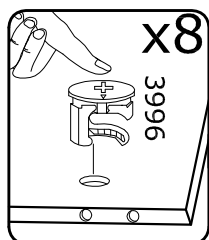
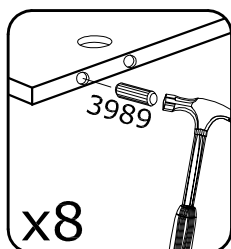
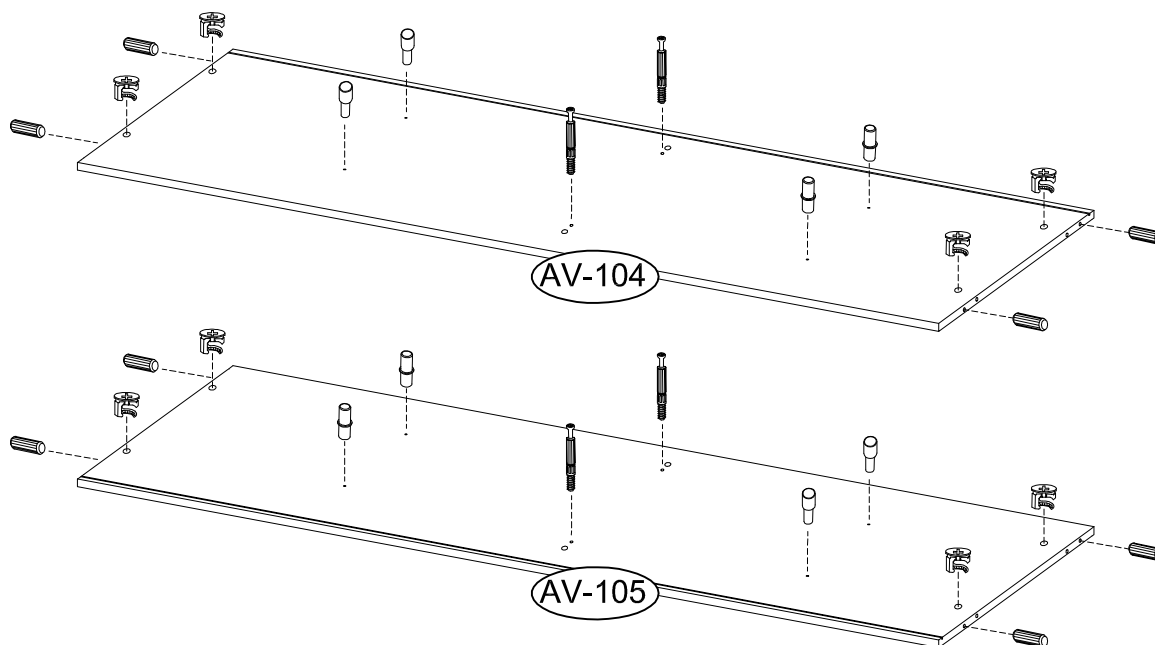
1

4066  x6	3892  x12	IN01157  x6			
--	---	---	--	--	---

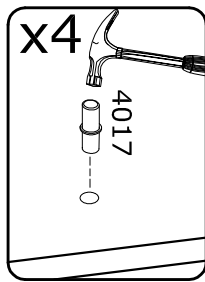
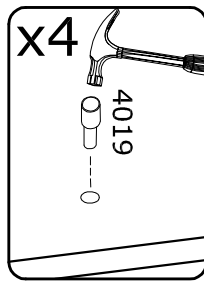
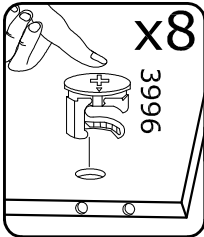
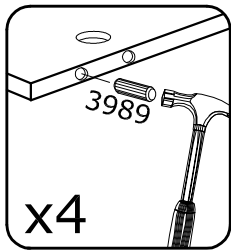
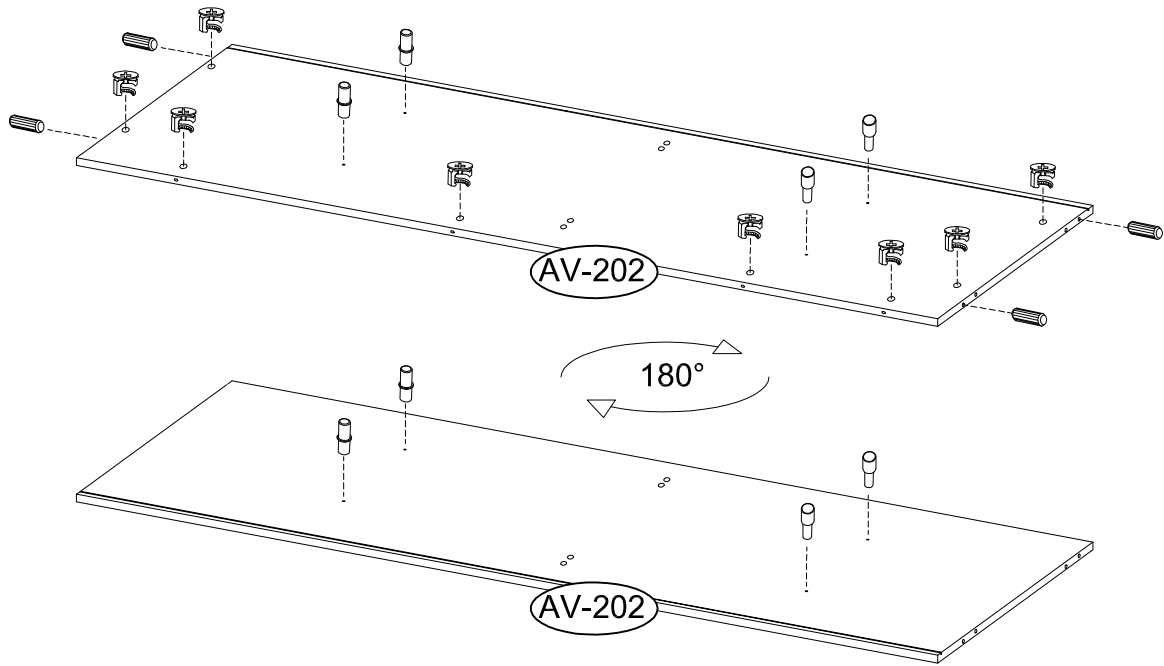
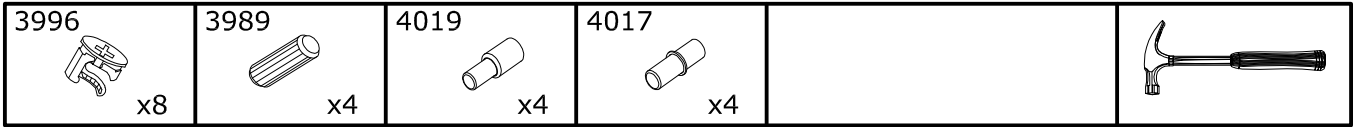


2

4066  x4	3996  x8	3989  x8	4019  x4	4017  x4		
---	---	---	---	---	--	---



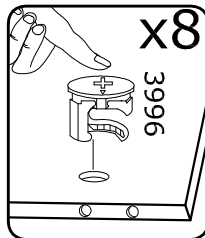
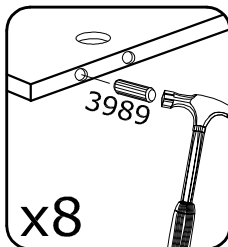
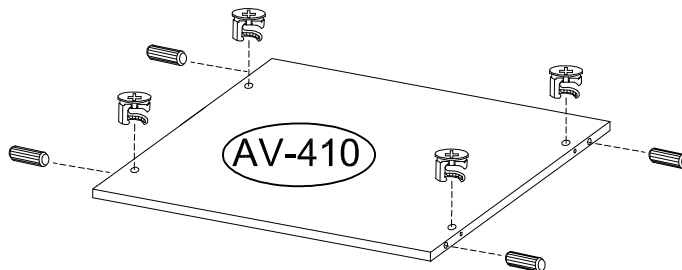
3



4



x2



5

4066

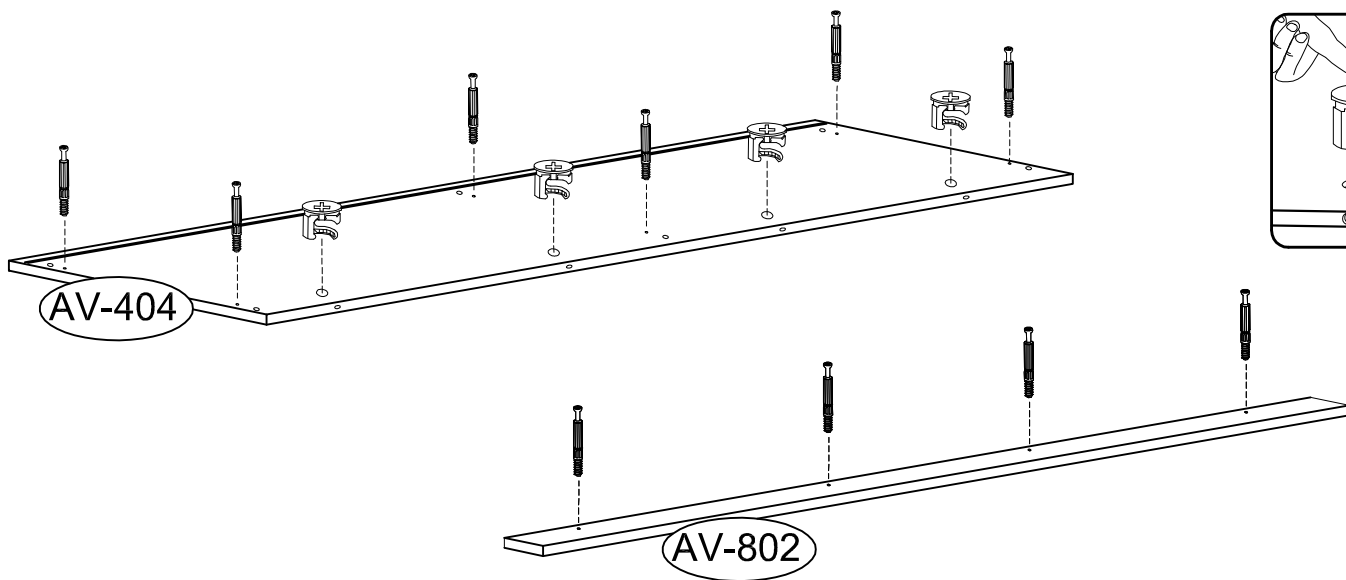
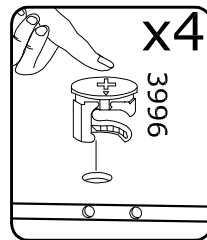
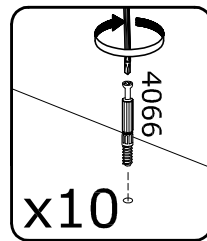


x10

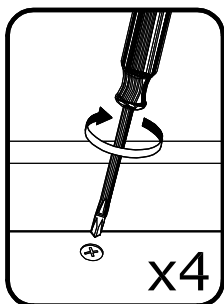
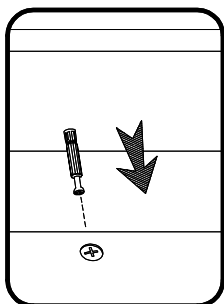
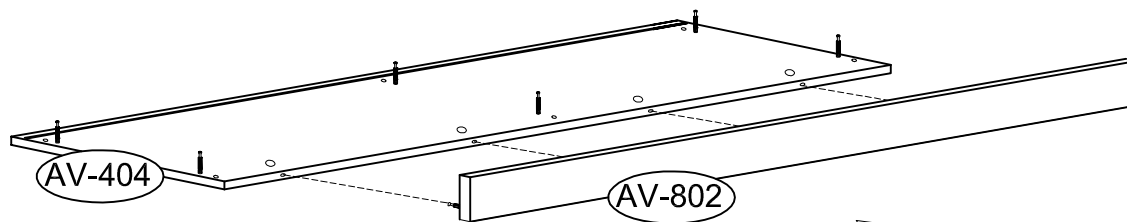
3996



x4



6



7

4066

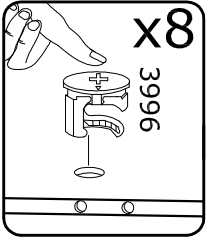


x12

3996

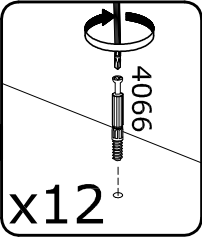


x8



x8

3996

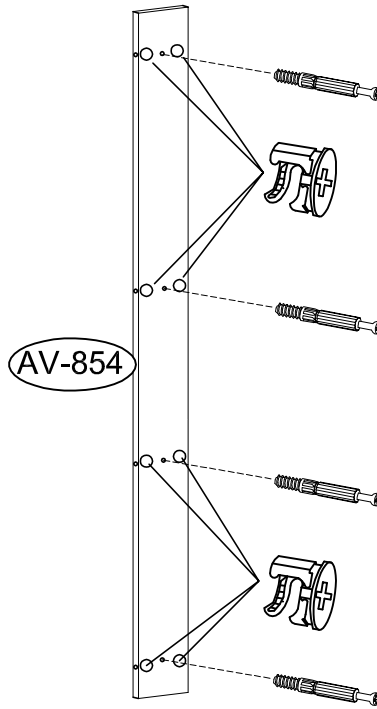


x12

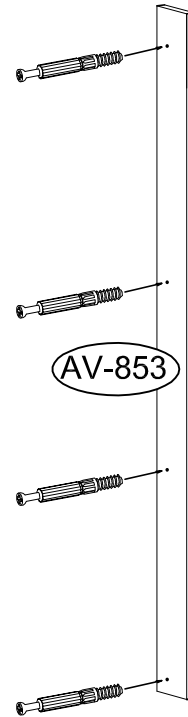
4066

1x

2x

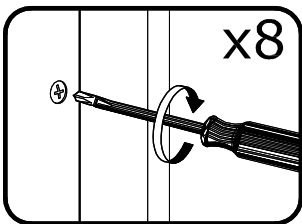
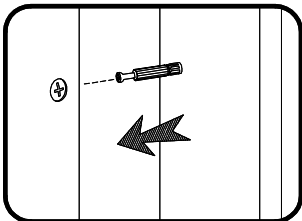


AV-854

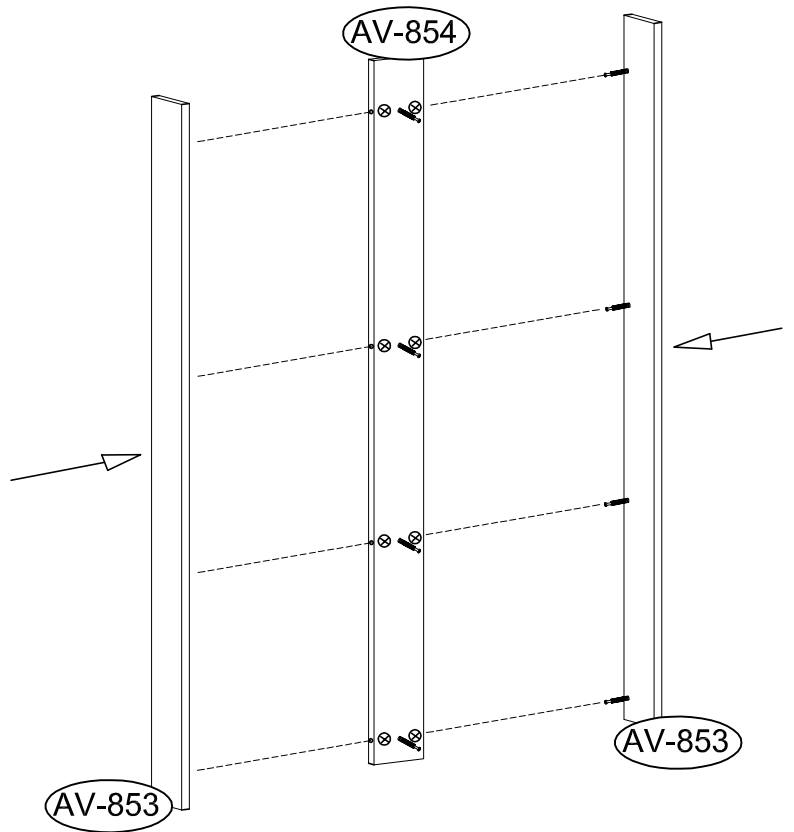


AV-853

8



x8



AV-854

AV-853

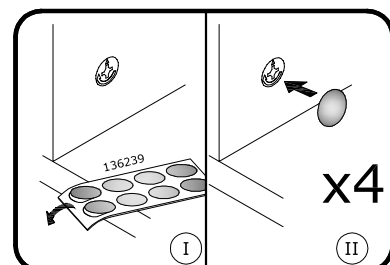
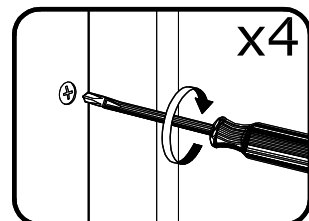
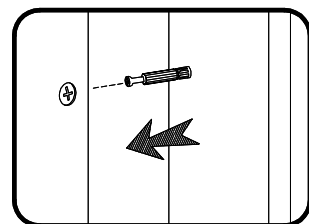
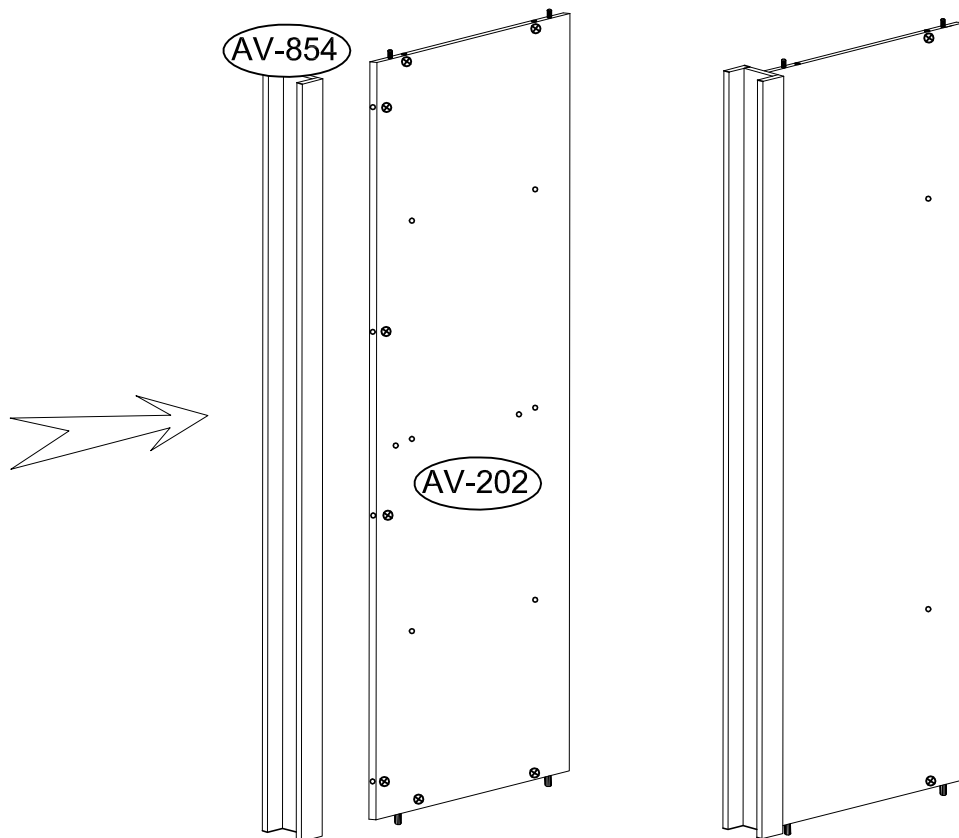
AV-853

9

136239



x4

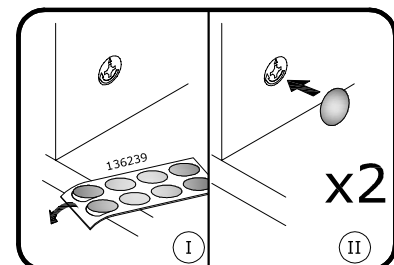
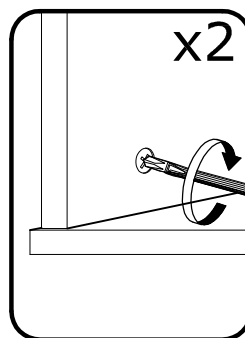
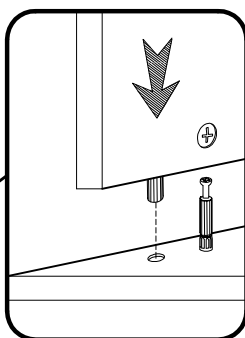
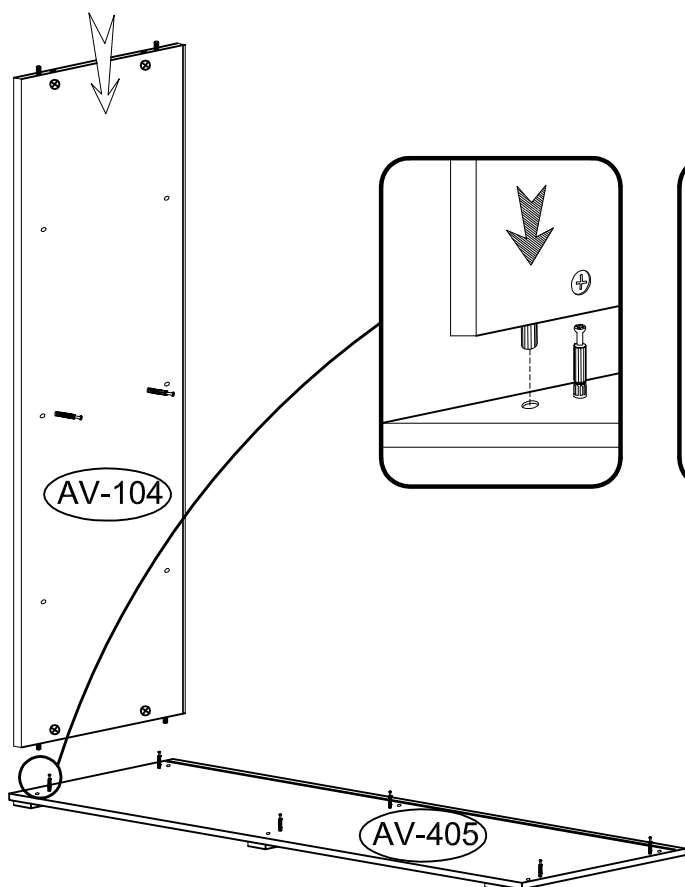


10

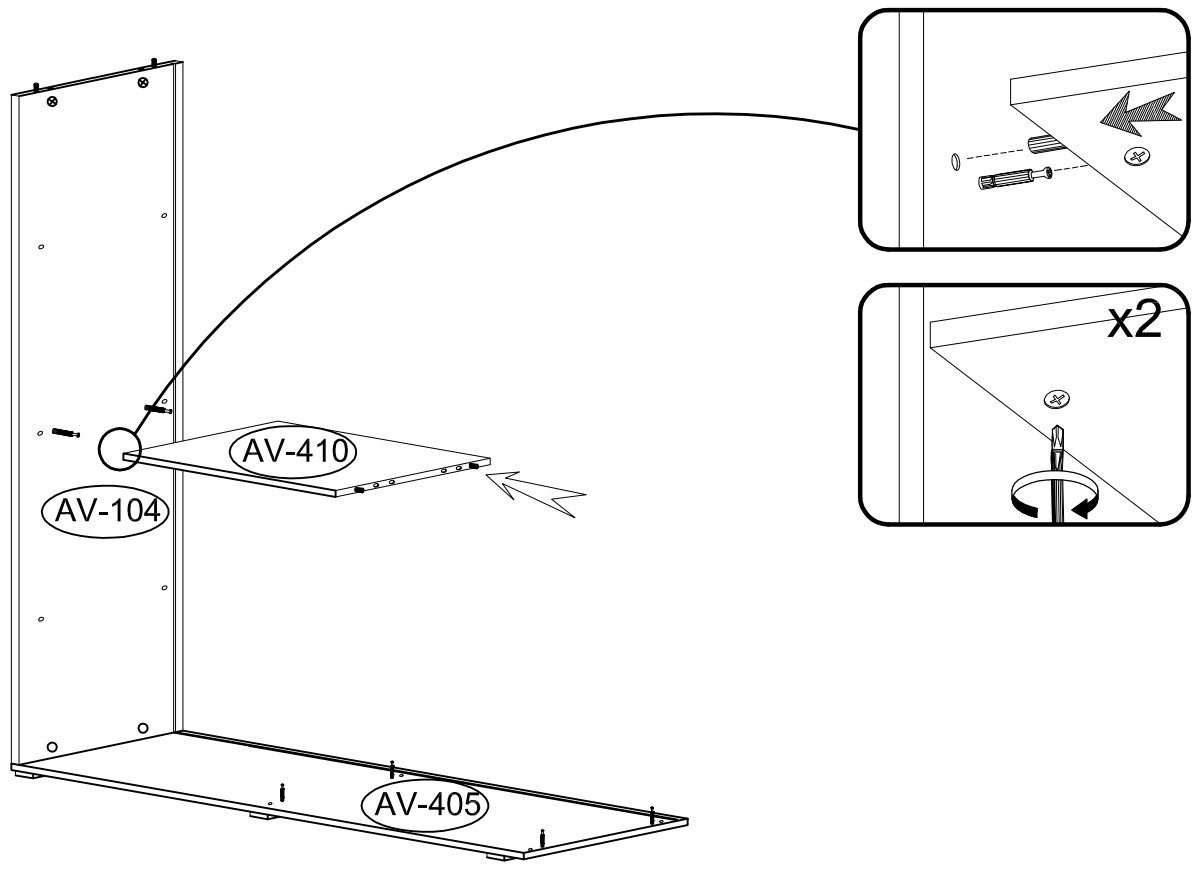
136239



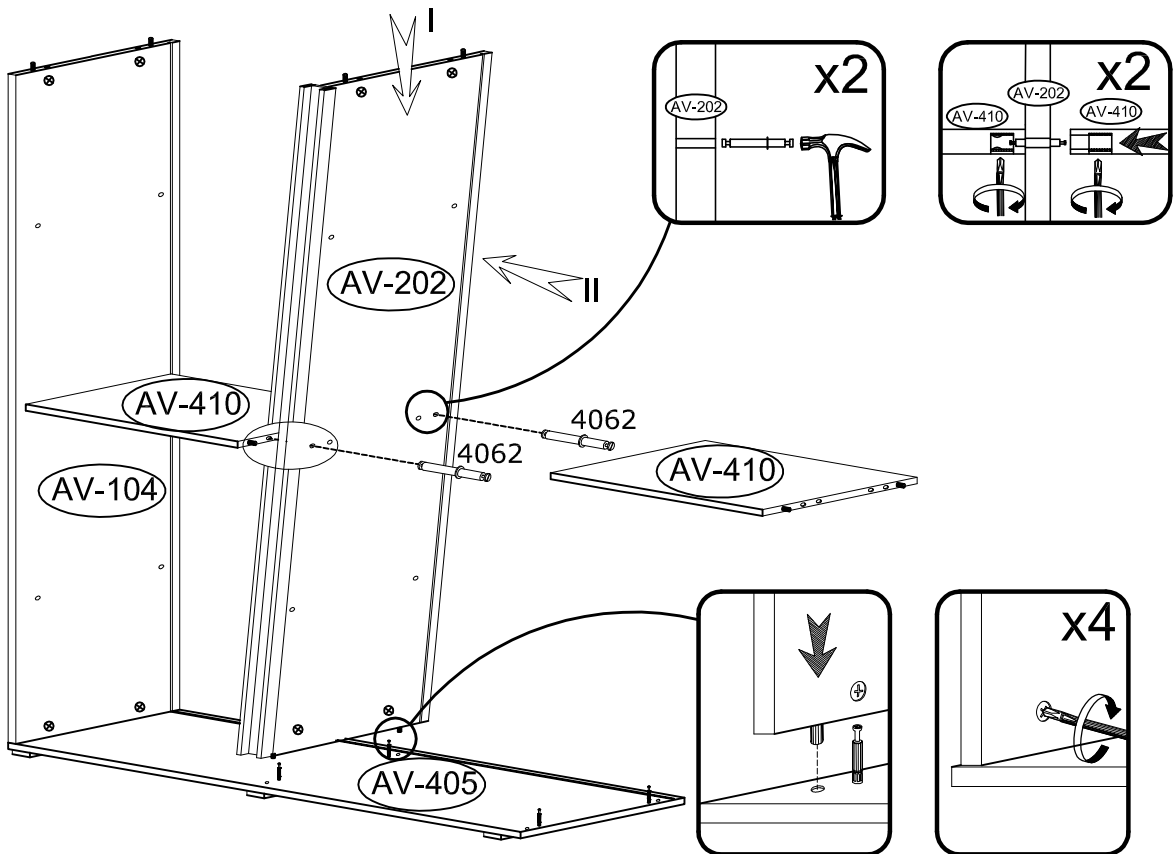
x2



11



12

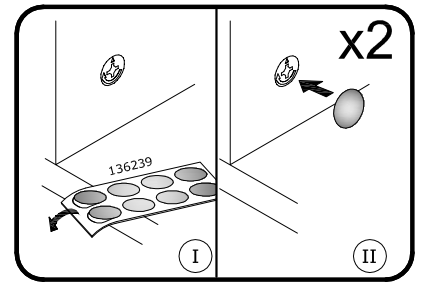
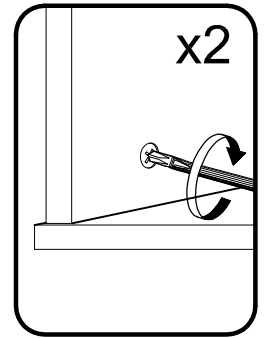
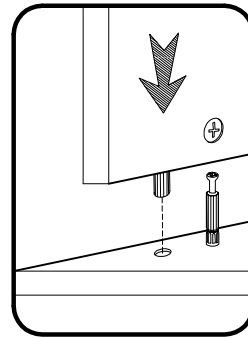
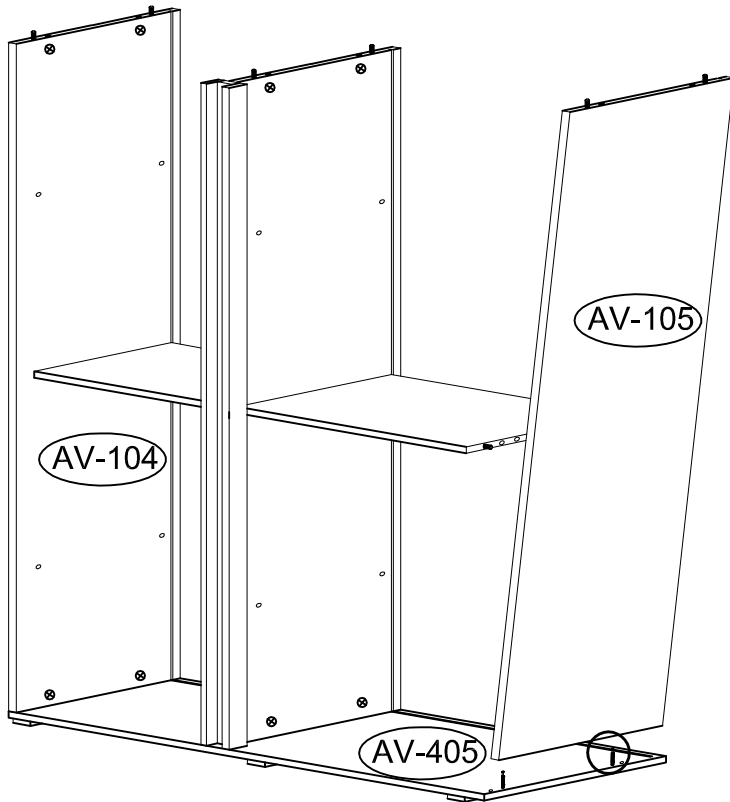


13

136239



x2



14

136239

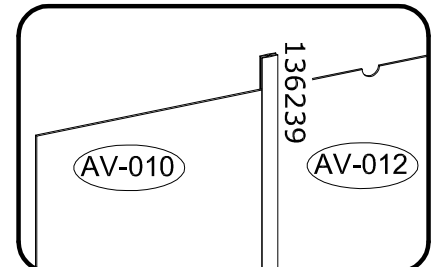
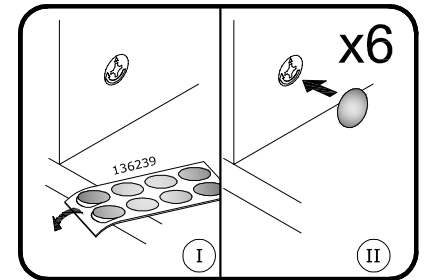
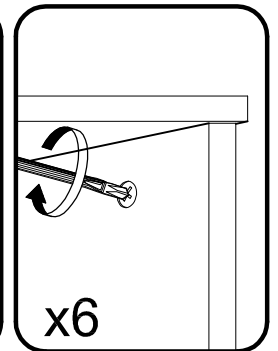
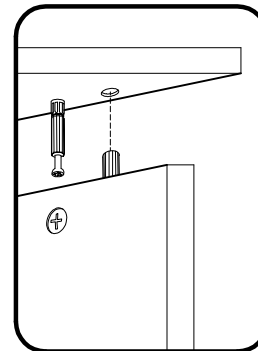
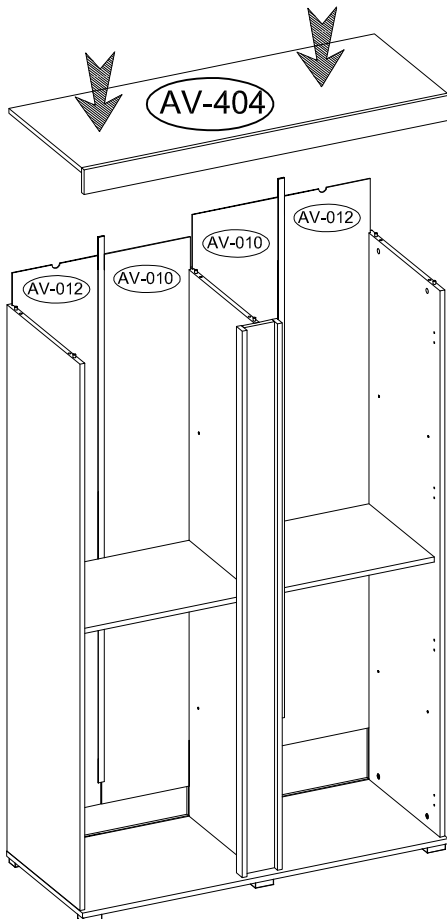


x6

136239

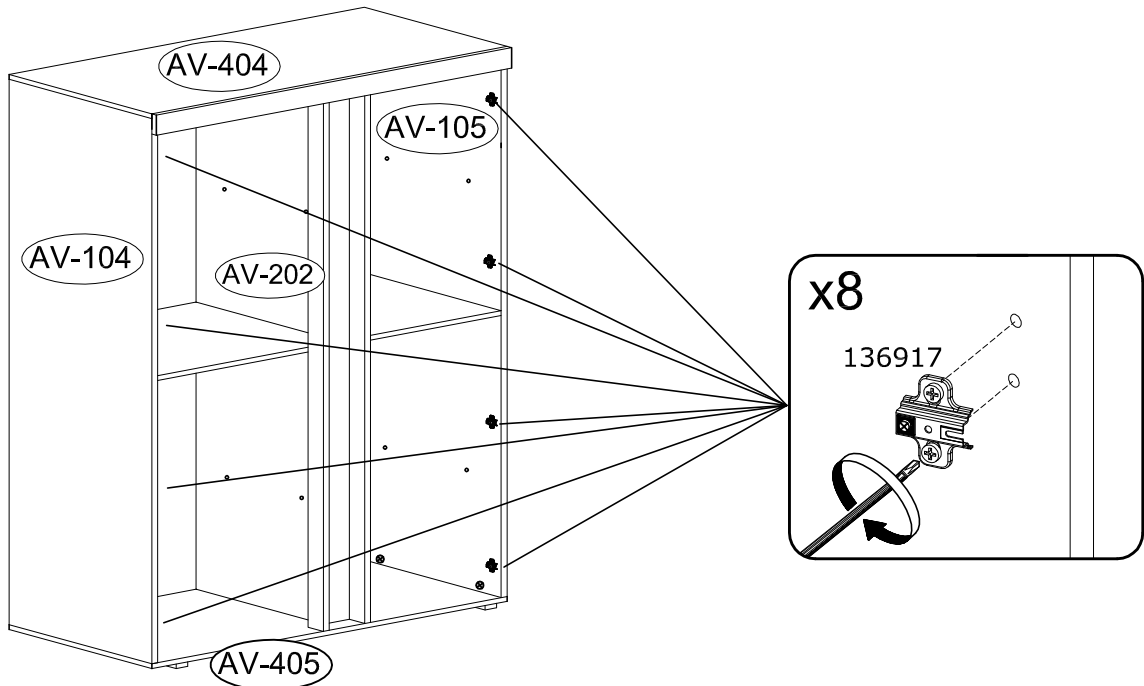
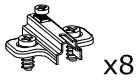


x2



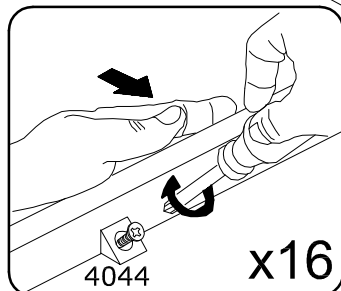
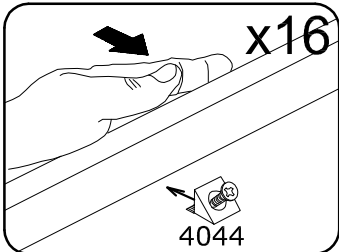
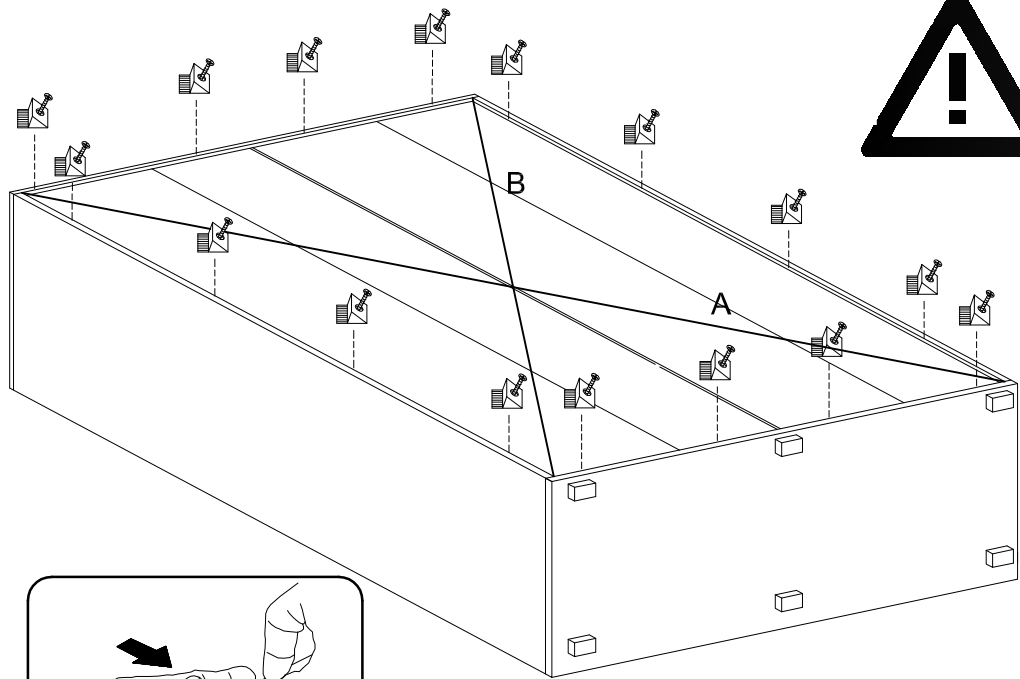
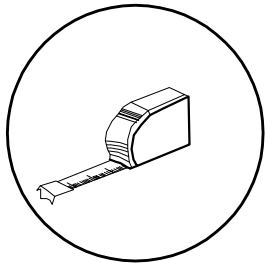
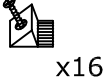
15

136917

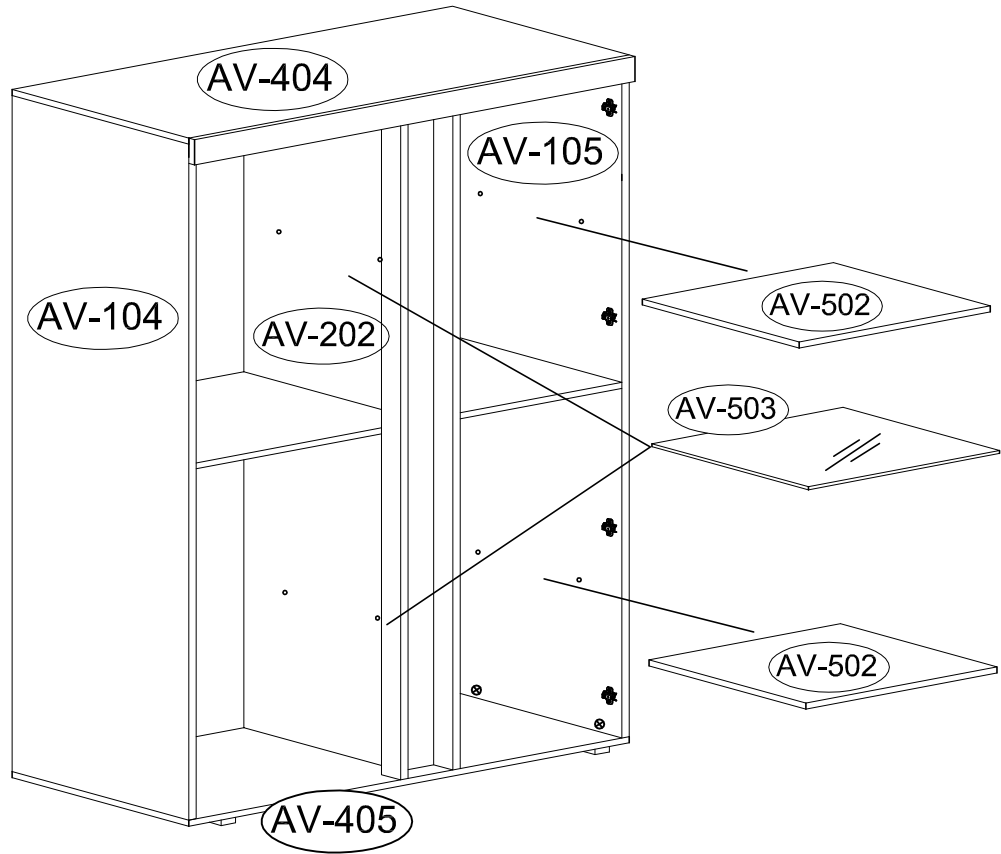


16

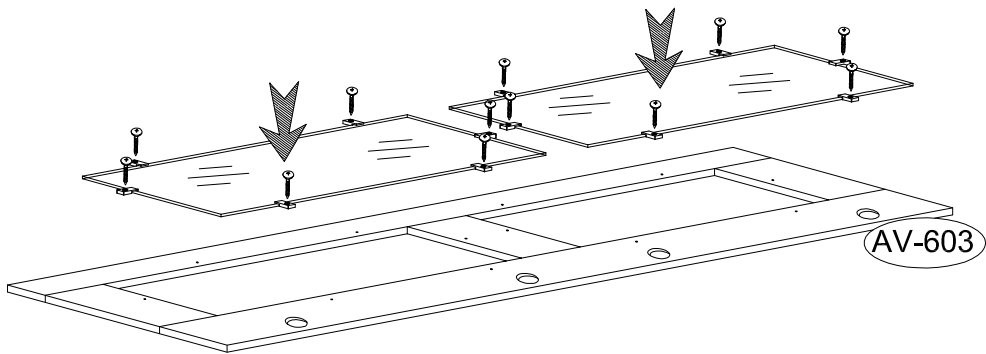
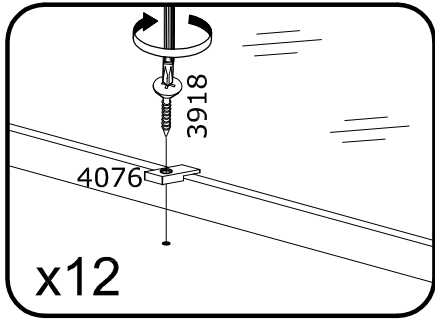
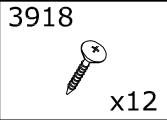
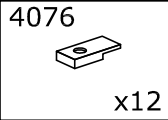
4044



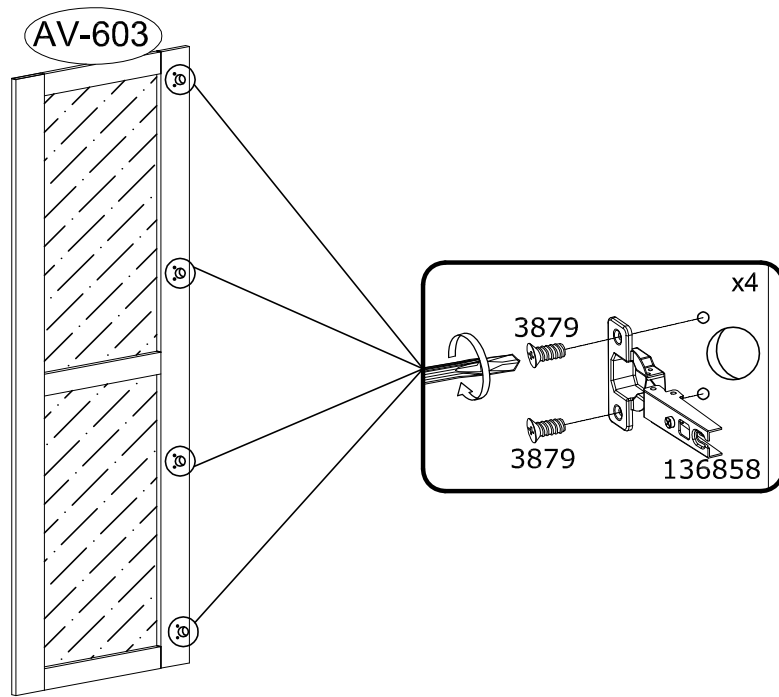
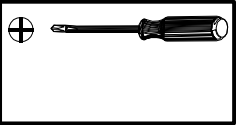
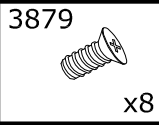
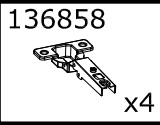
17



18



19



20

