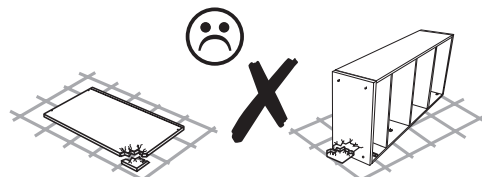
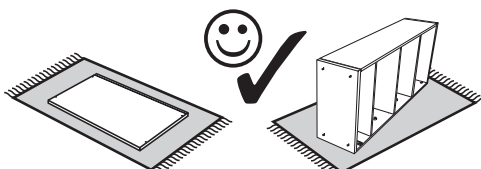
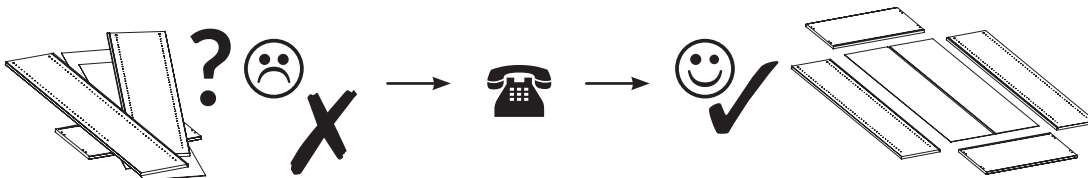
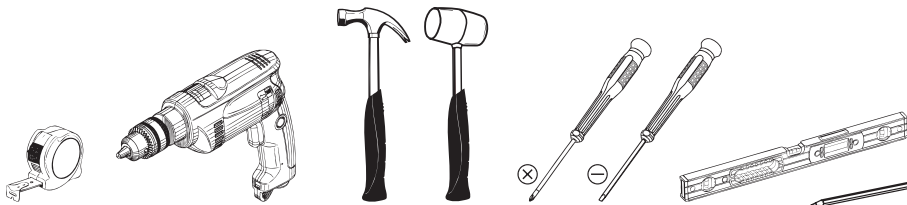
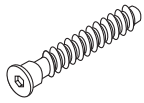
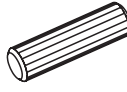


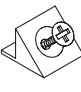
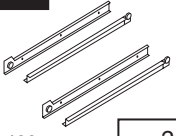
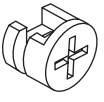
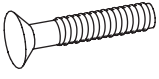

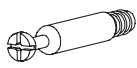
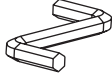


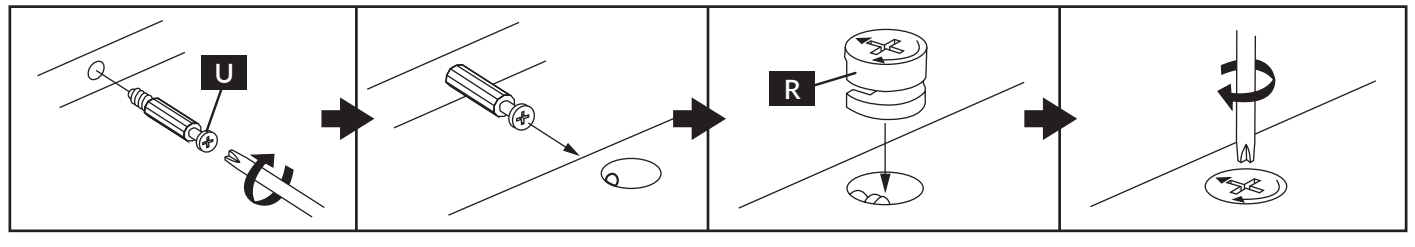
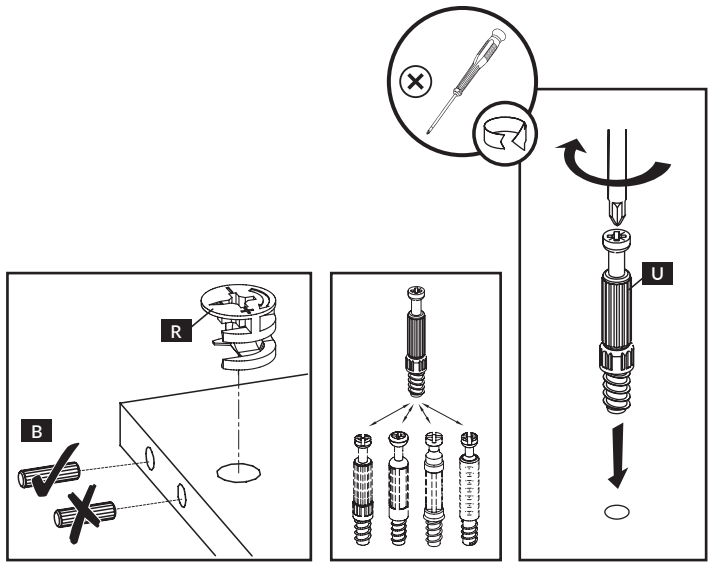
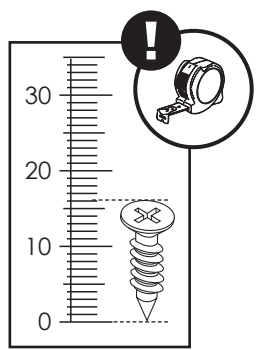


2019-09-19



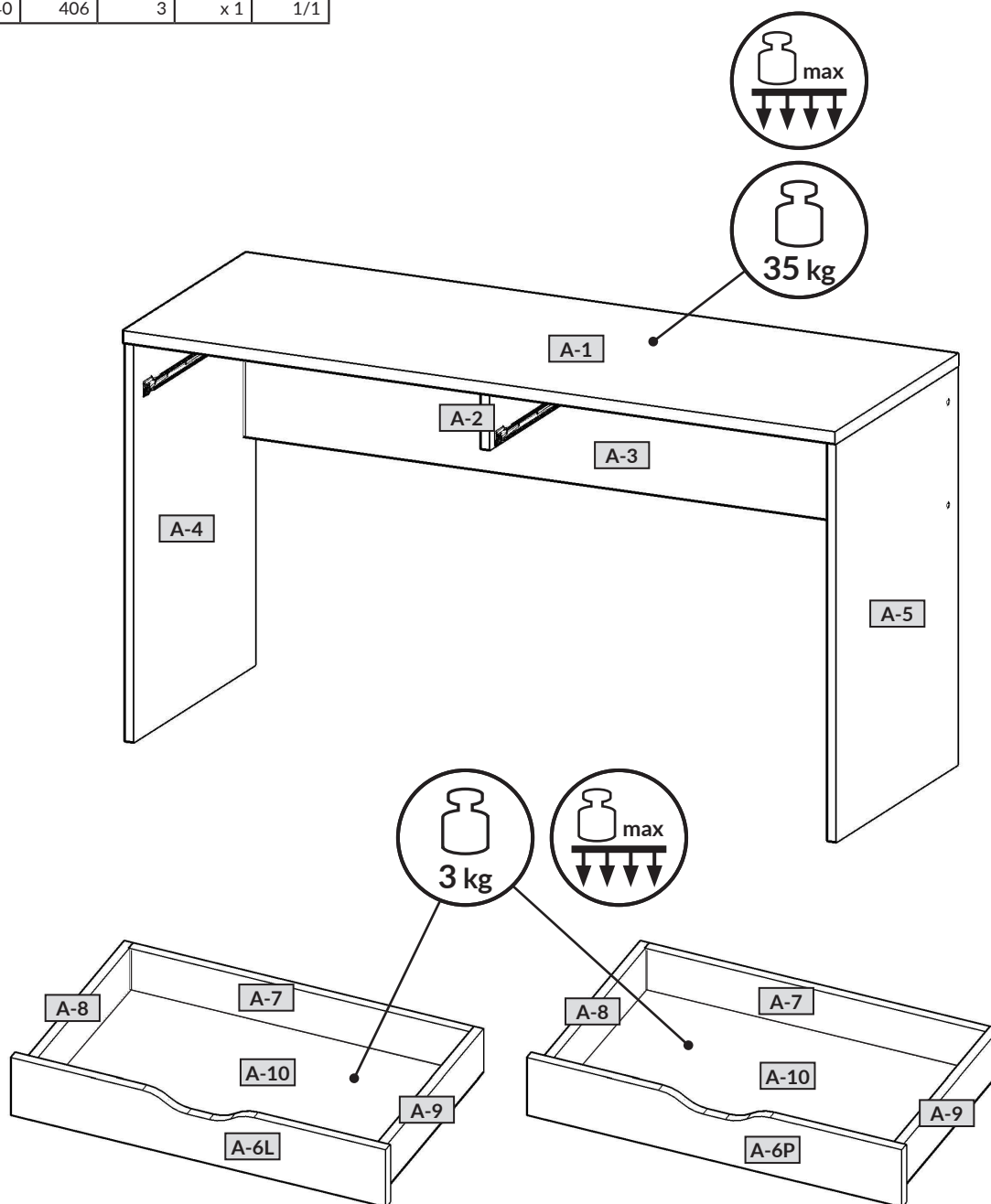


<p>A</p>  <p>7 x 50 mm x 5</p>	<p>B</p>  <p>8 x 32 mm x 10</p>	<p>E2</p>  <p>3 x 20 mm x 24</p>	<p>G2</p>  <p>x 4</p>	<p>H1</p>  <p>x 4</p>	<p>K</p>  <p>L=400 mm x 2</p>
<p>R</p>  <p>H=11 mm x 10</p>	<p>RB</p>  <p>x 8</p>	<p>T3</p>  <p>5 x 9 mm x 8</p>	<p>U</p>  <p>L=24,3 mm x 10</p>	<p>XA</p>  <p>x 1</p>	<p>ZA</p>  <p>Ø4 x 5</p>
<p>ZR</p>  <p>Ø15 x 10</p>					



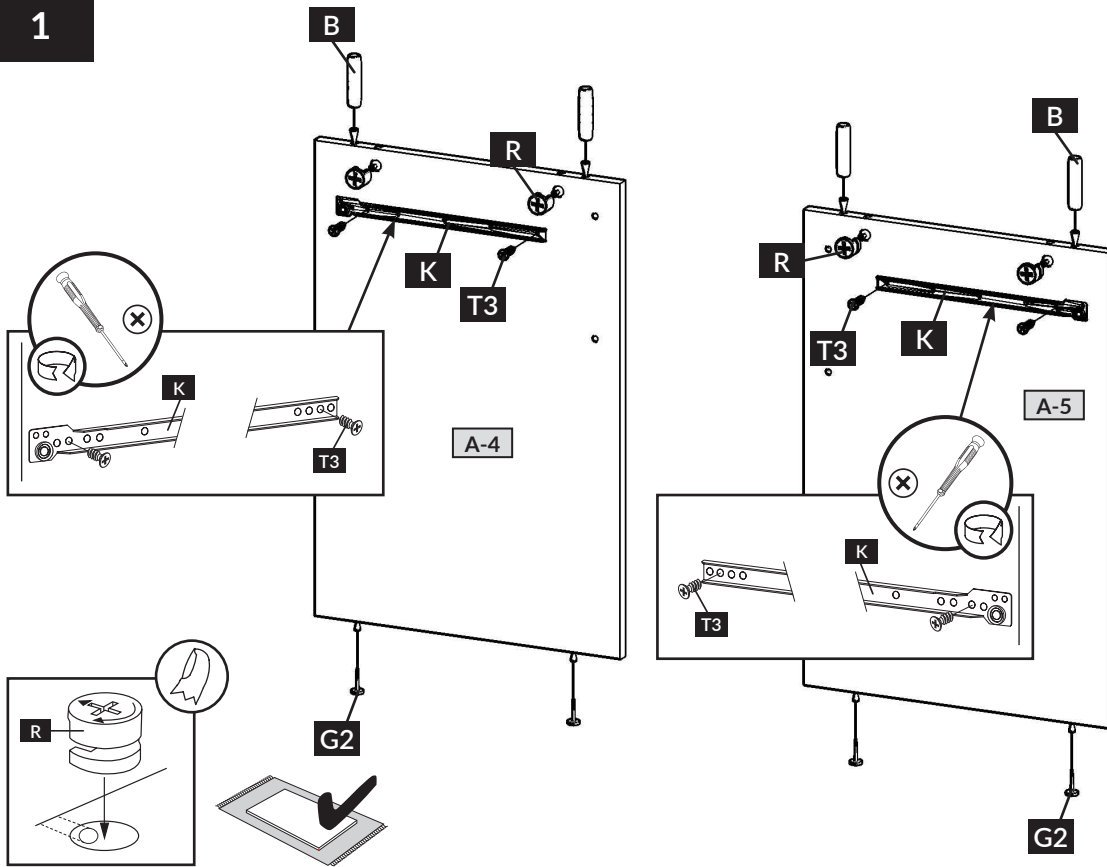


nr	↔ [mm]	↓ [mm]	∠ [mm]	Menge	Colli
A-1	1382	504	22	x 1	1/1
A-2	429	110	16	x 2	1/1
A-3	1348	300	16	x 1	1/1
A-4	734	498	16	x 1	1/1
A-5	734	498	16	x 1	1/1
A-6L	669	110	16	x 1	1/1
A-6P	669	110	16	x 1	1/1
A-7	609	80	16	x 1	1/1
A-8	400	80	16	x 1	1/1
A-9	400	80	16	x 1	1/1
A-10	640	406	3	x 1	1/1



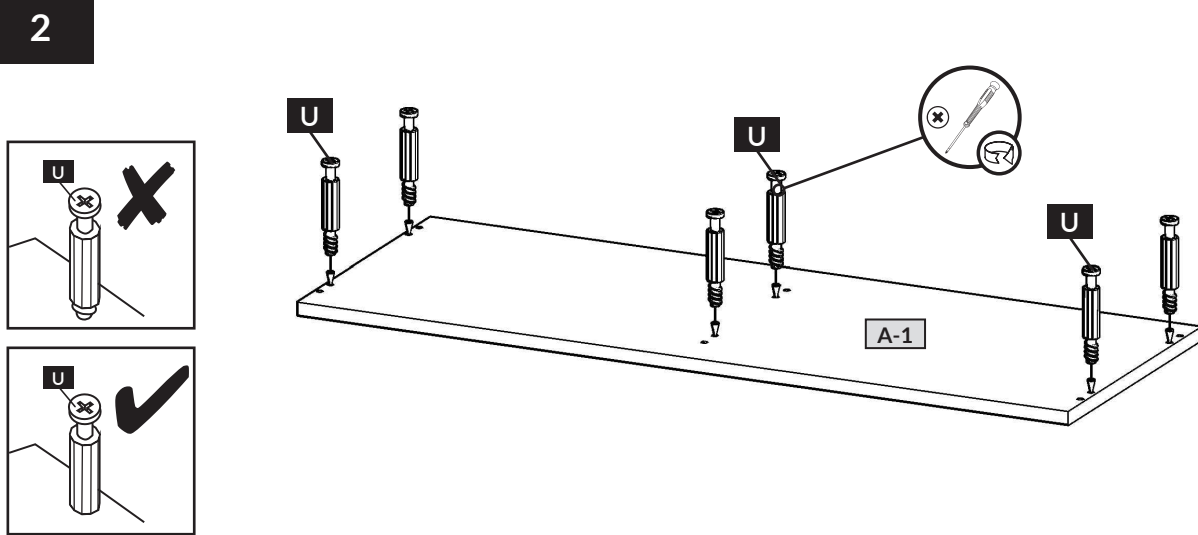


1



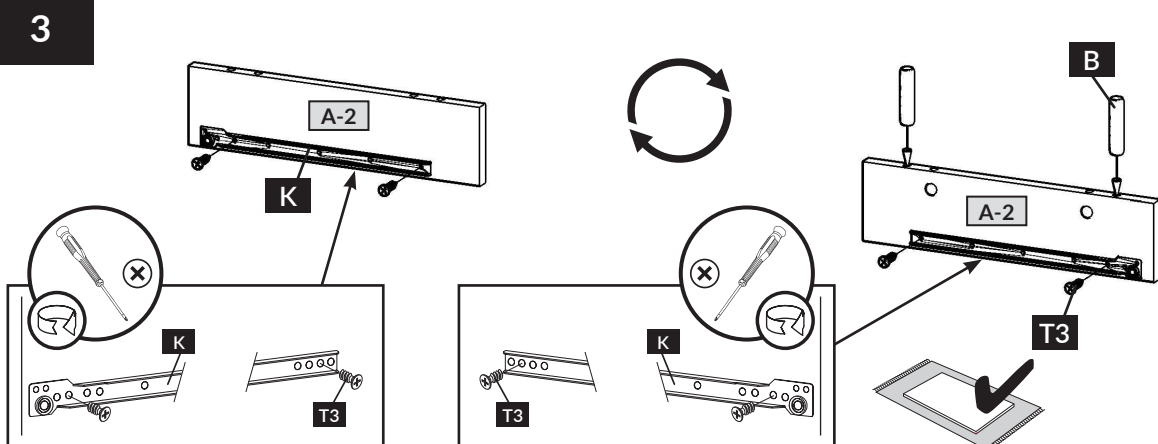
- B**
8 x 32 mm x 4
- G2**
x 4
- K**
L=400 mm x 1
- R**
H=11 mm x 4
- T3**
5 x 9 mm x 4

2



- U**
L=24.3 mm x 6

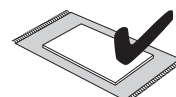
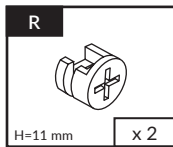
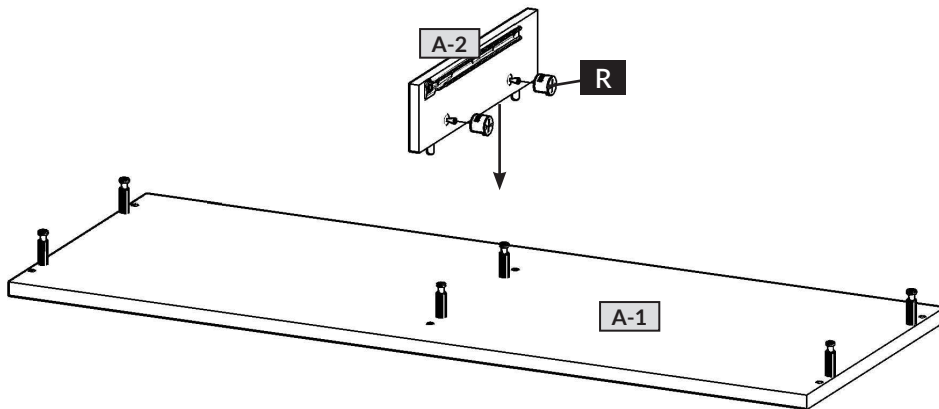
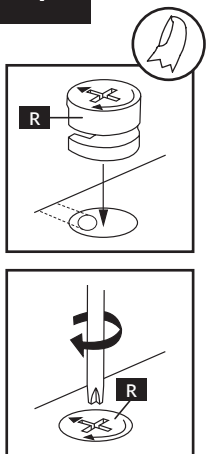
3



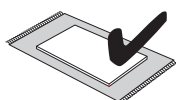
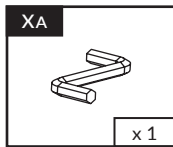
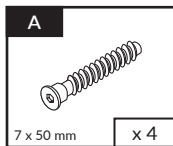
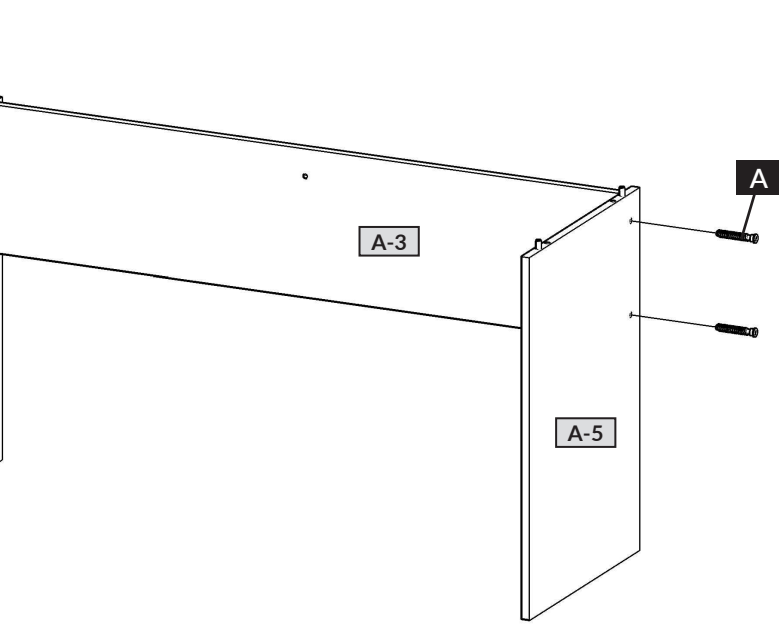
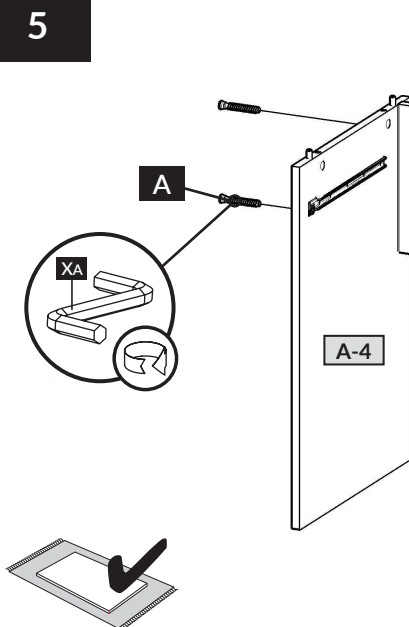
- B**
8 x 32 mm x 2
- K**
L=400 mm x 1
- T3**
5 x 9 mm x 4



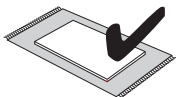
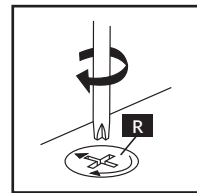
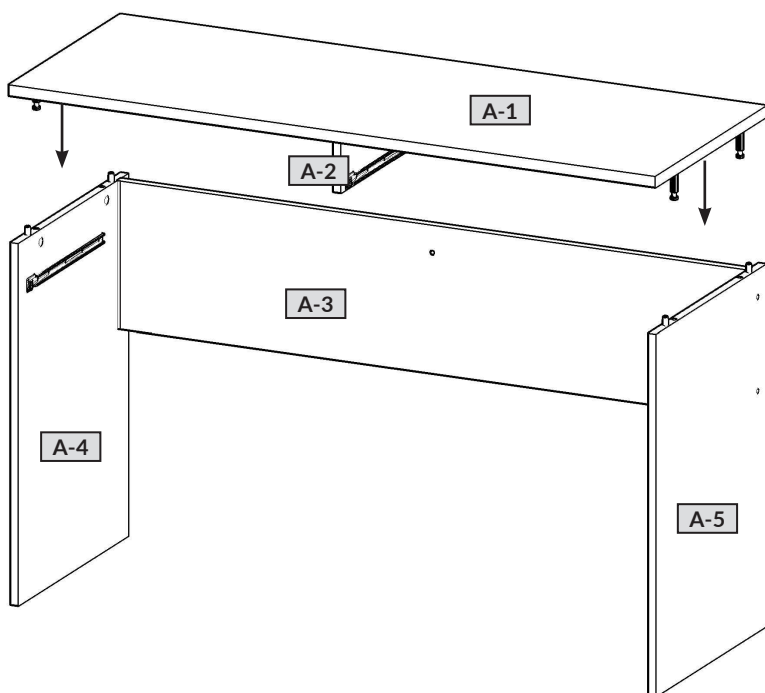
4



5

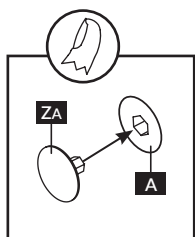
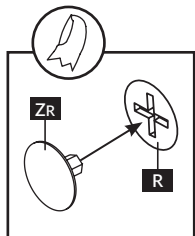
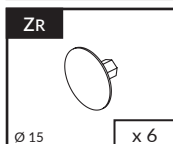
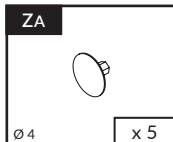
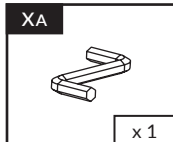
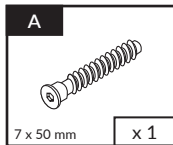
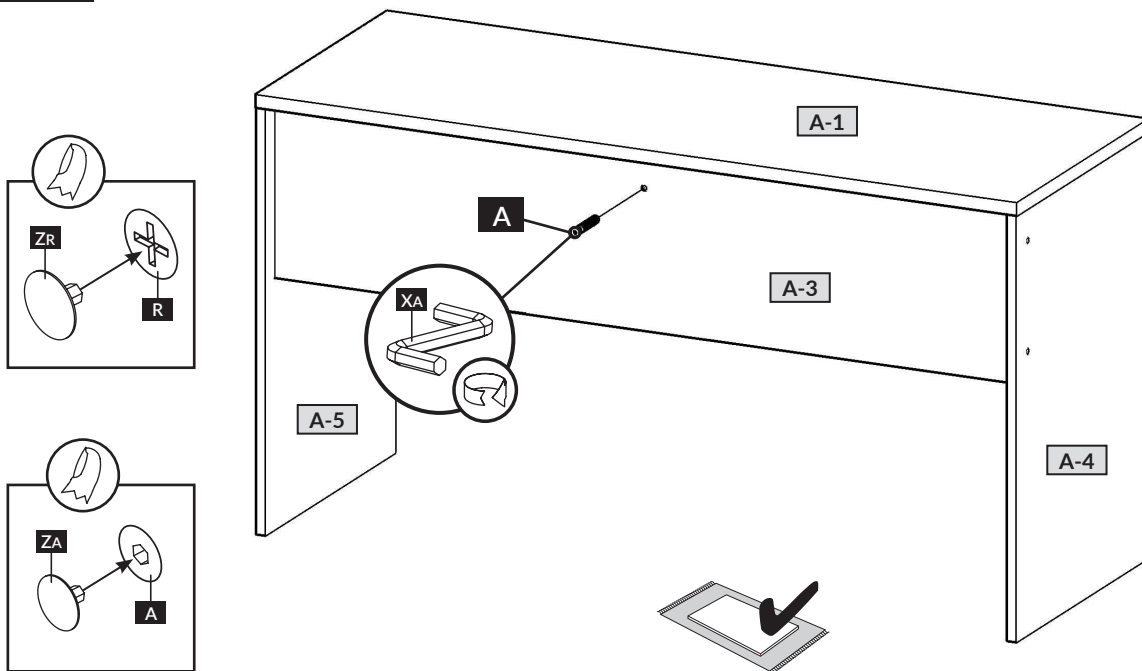


6

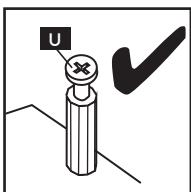
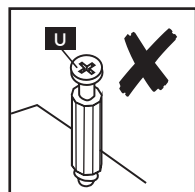
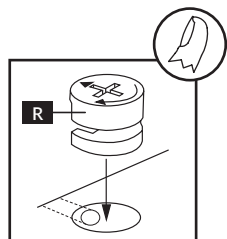
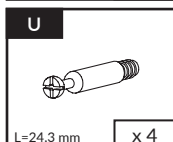
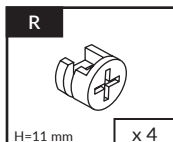
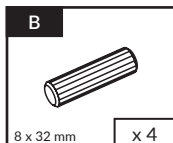
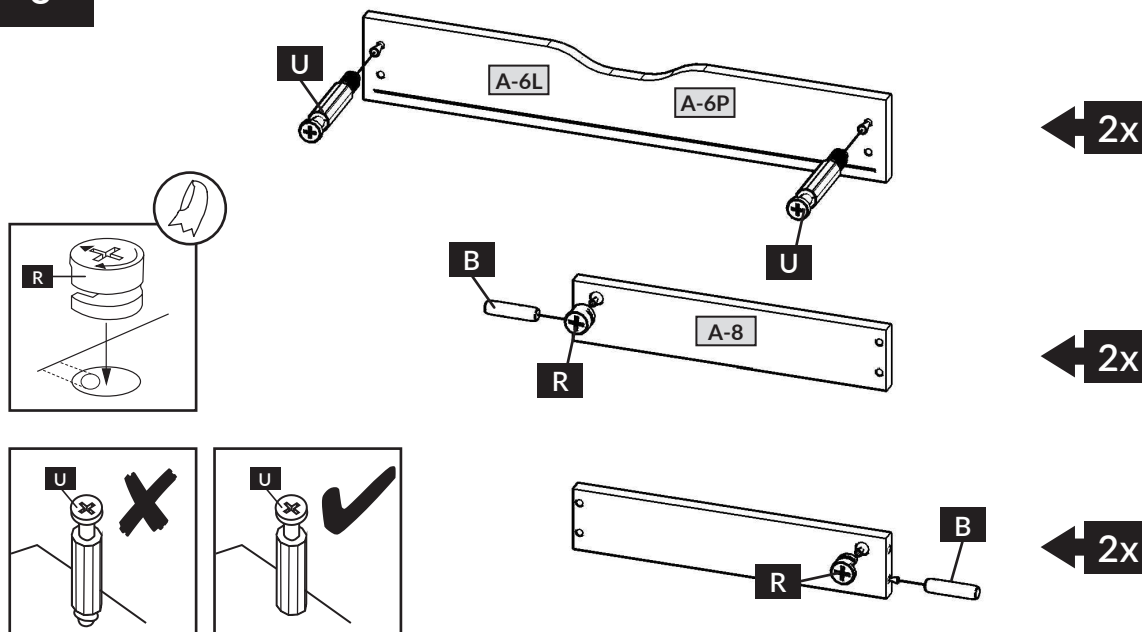




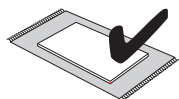
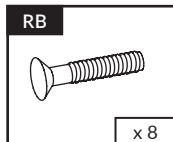
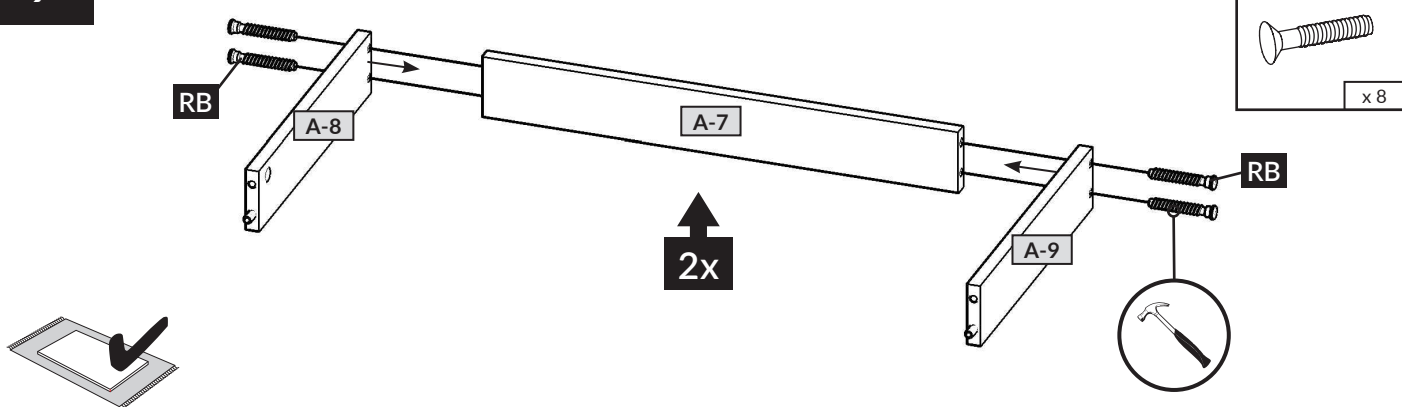
7



8

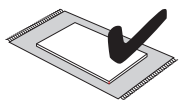
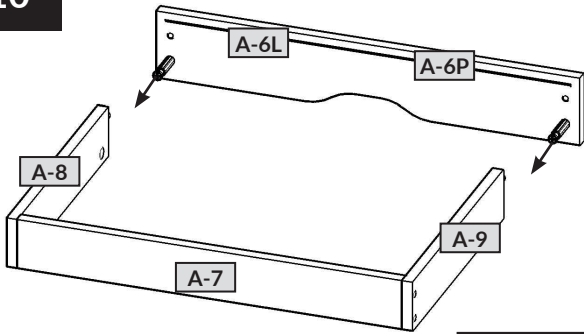


9

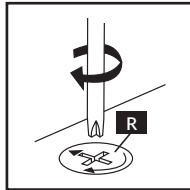




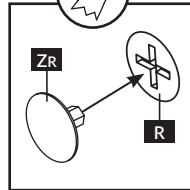
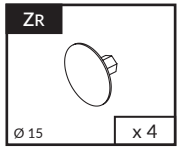
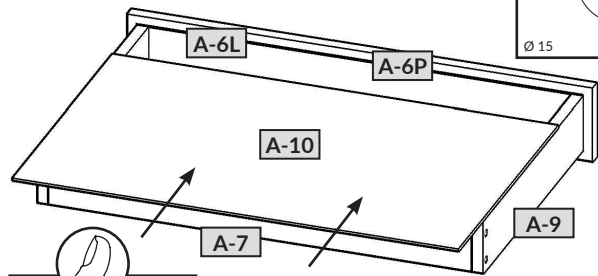
10



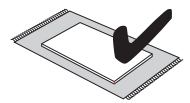
2x



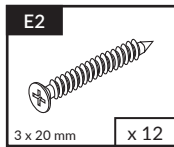
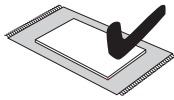
11



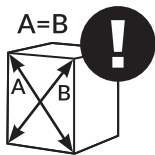
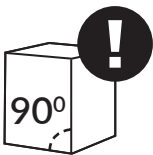
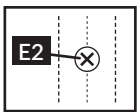
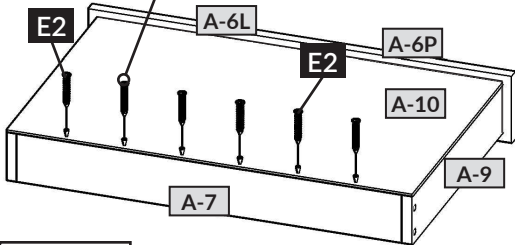
2x



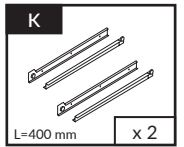
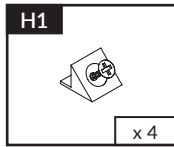
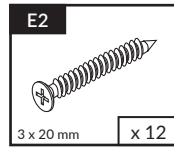
12



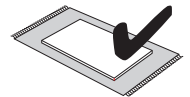
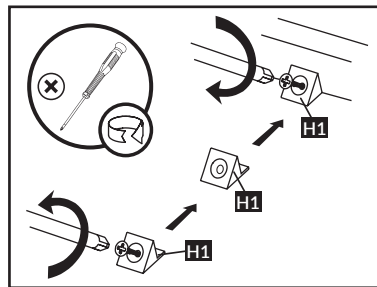
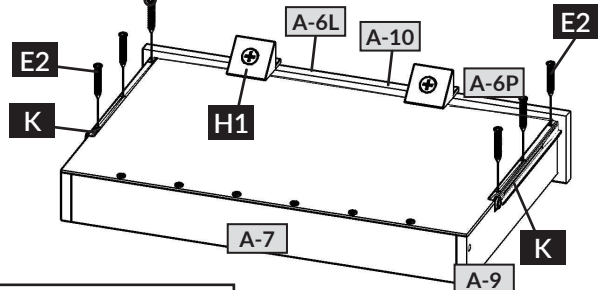
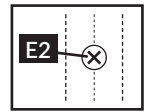
2x



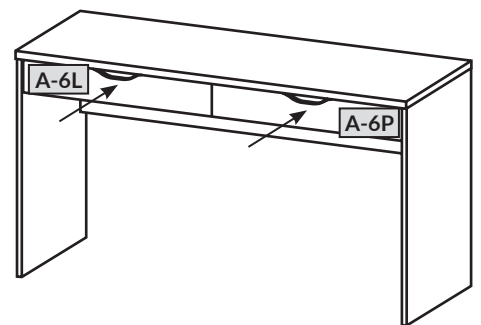
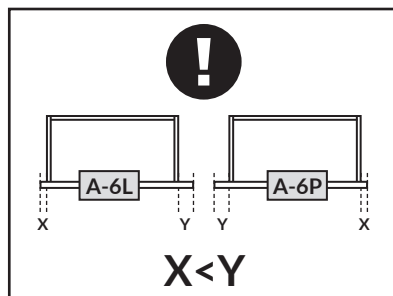
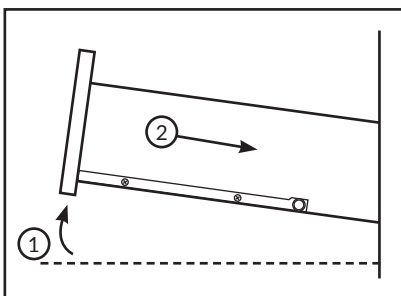
13

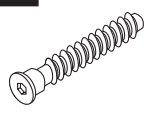
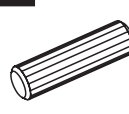
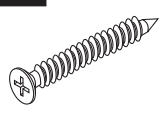


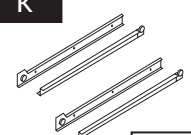
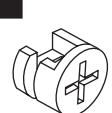
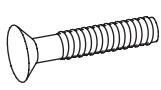
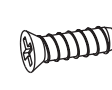
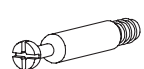
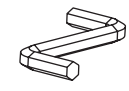




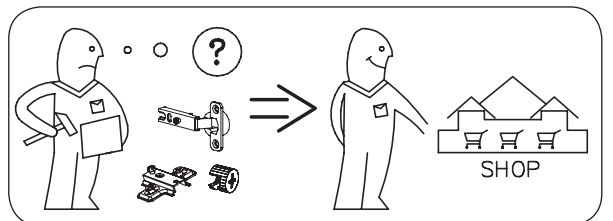
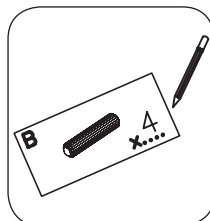
2x



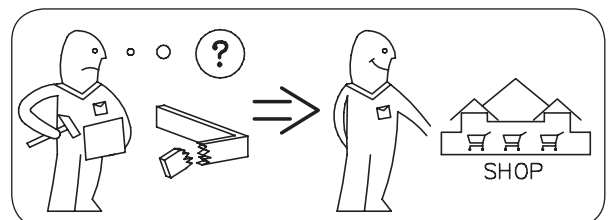
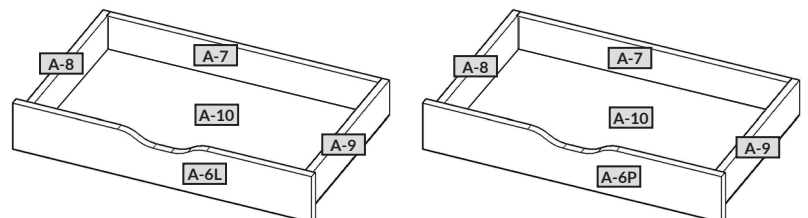
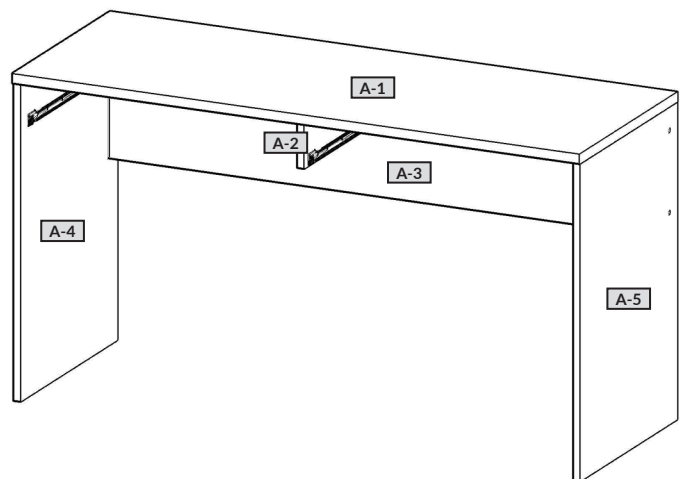
14

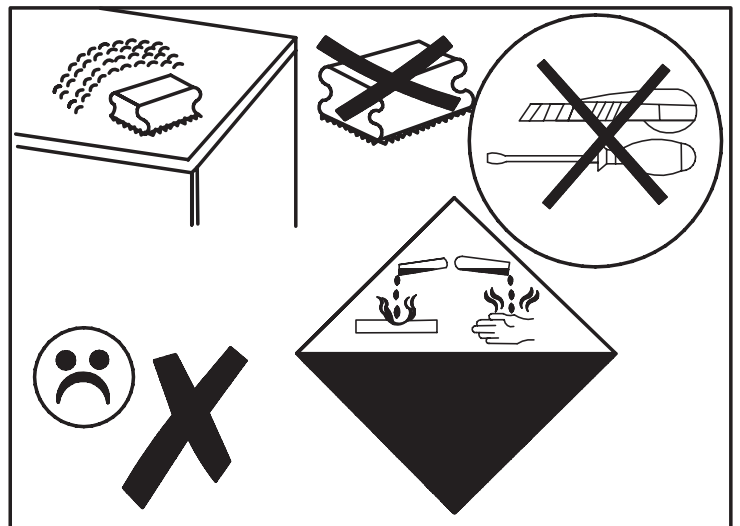
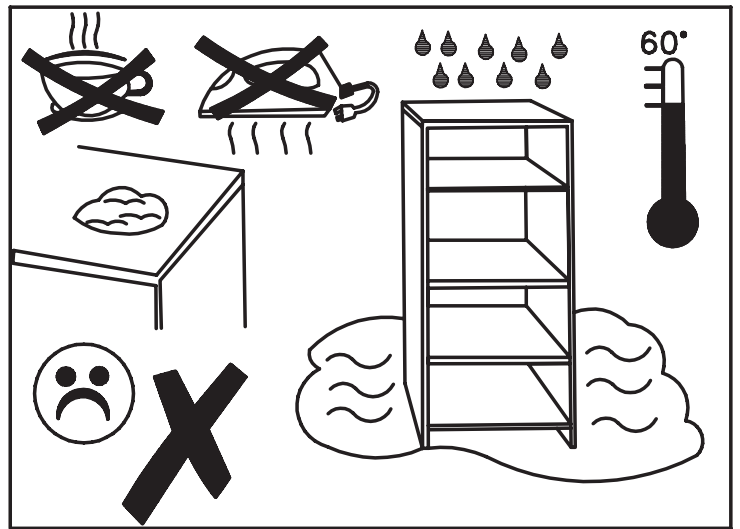
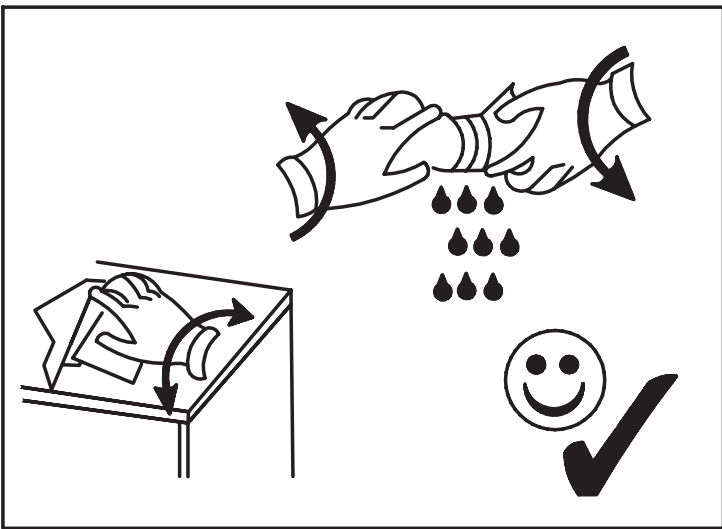
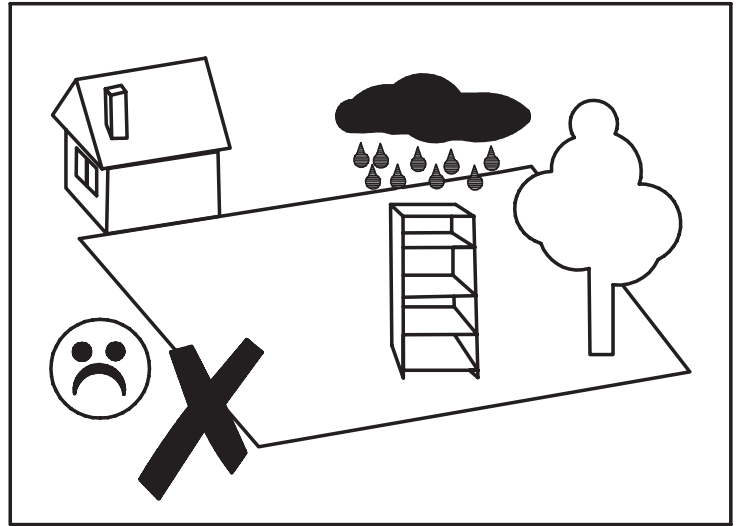
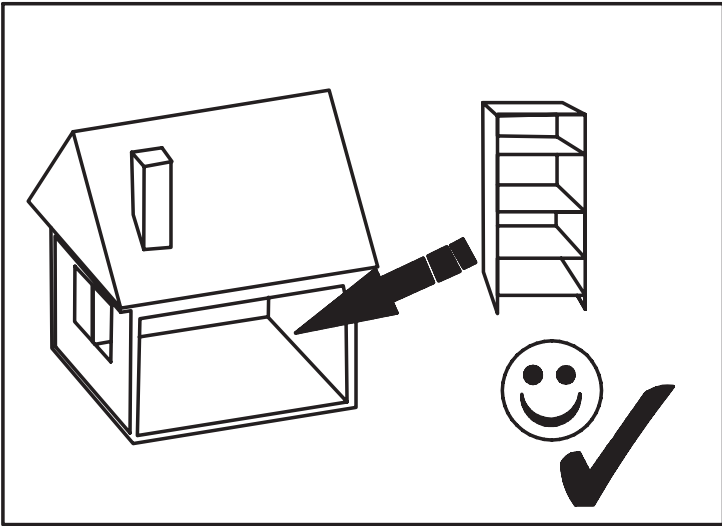


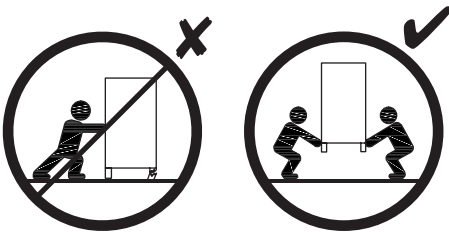
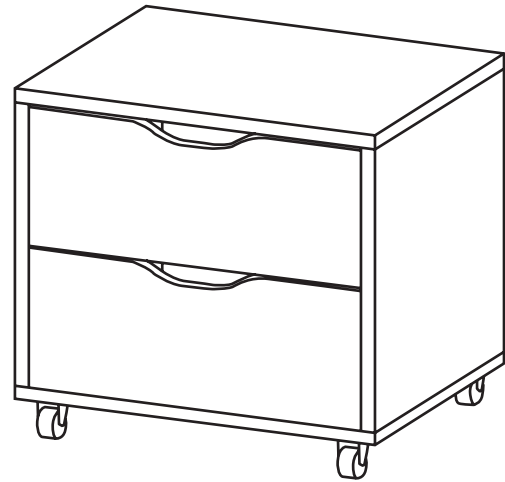
A  7 x 50 mm X ...	B  8 x 32 mm X ...	E2  3 x 20 mm X ...
G2  X ...	H1  X ...	K  L=400 mm X ...
R  H=11 mm X ...	RB  X ...	T3  5 x 9 mm X ...
U  L=24,3 mm X ...	XA  X ...	ZA  Ø 4 X ...
ZR  Ø 15 X ...		



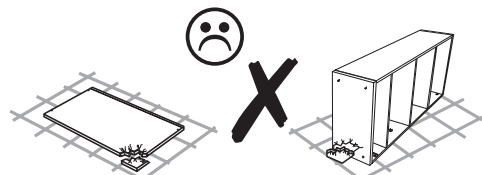
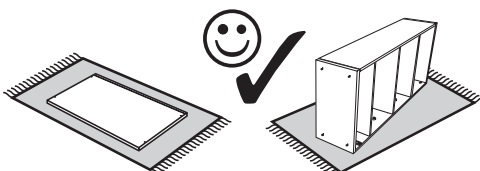
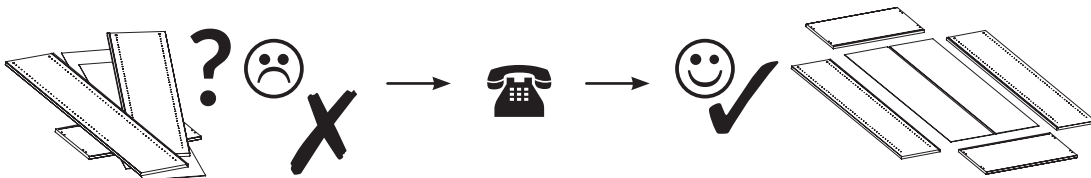
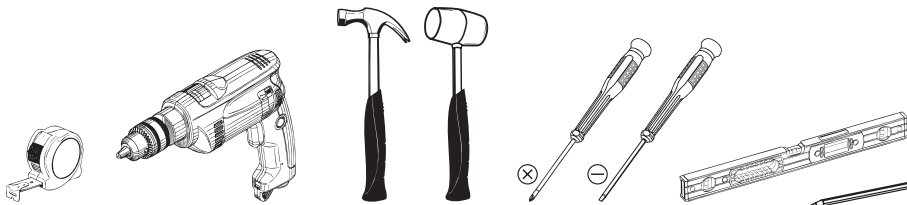
nr	↔ [mm]	↓ [mm]	∅ [mm]	Menge	Colli
A-1	1382	504	22	x 1	1/1
A-2	429	110	16	x 2	1/1
A-3	1348	300	16	x 1	1/1
A-4	734	498	16	x 1	1/1
A-5	734	498	16	x 1	1/1
A-6L	669	110	16	x 1	1/1
A-6P	669	110	16	x 1	1/1
A-7	609	80	16	x 1	1/1
A-8	400	80	16	x 1	1/1
A-9	400	80	16	x 1	1/1
A-10	640	406	3	x 1	1/1



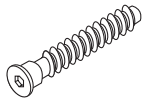
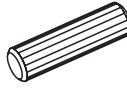
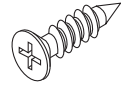
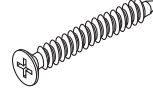

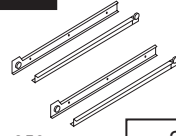
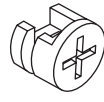
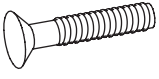

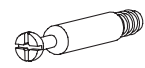
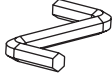



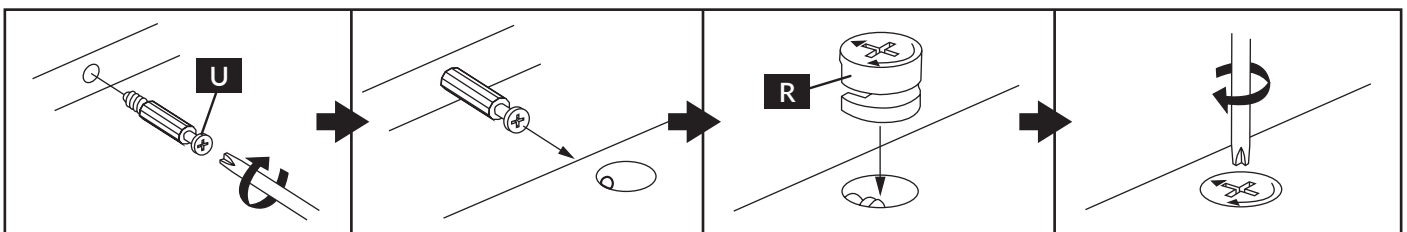
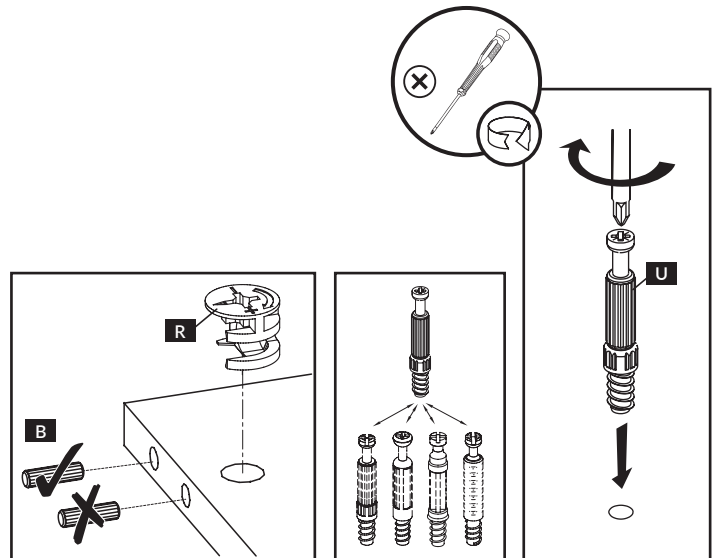
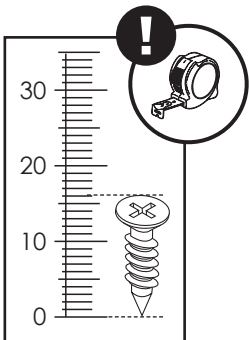


2019-09-19



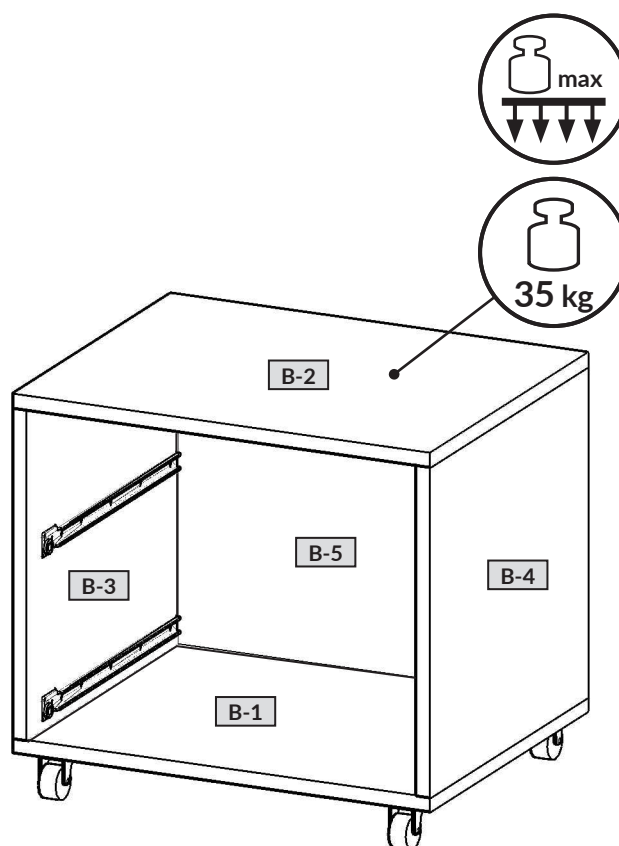
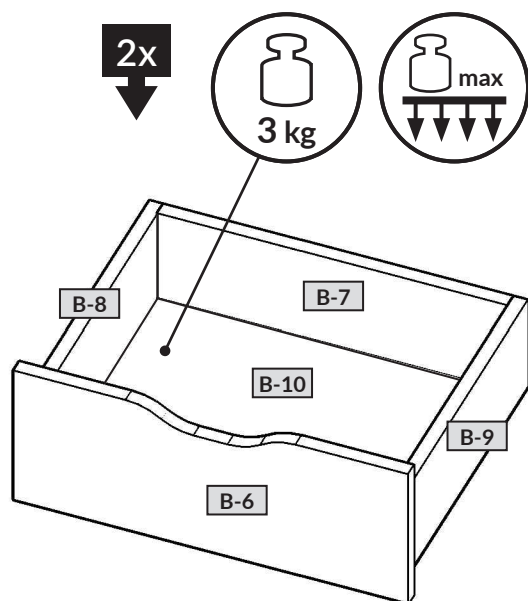


<p>A</p>  <p>7 x 50 mm x 4</p>	<p>B</p>  <p>8 x 32 mm x 20</p>	<p>E</p>  <p>3,5 x 13 mm x 16</p>	<p>E2</p>  <p>3 x 20 mm x 20</p>	<p>G8</p>  <p>x 4</p>	<p>K</p>  <p>L=350 mm x 2</p>
<p>R</p>  <p>H=11 mm x 8</p>	<p>RB</p>  <p>x 8</p>	<p>T3</p>  <p>5 x 9 mm x 8</p>	<p>U</p>  <p>L=24,3 mm x 8</p>	<p>XA</p>  <p>x 1</p>	<p>ZR</p>  <p>Ø 15 x 8</p>



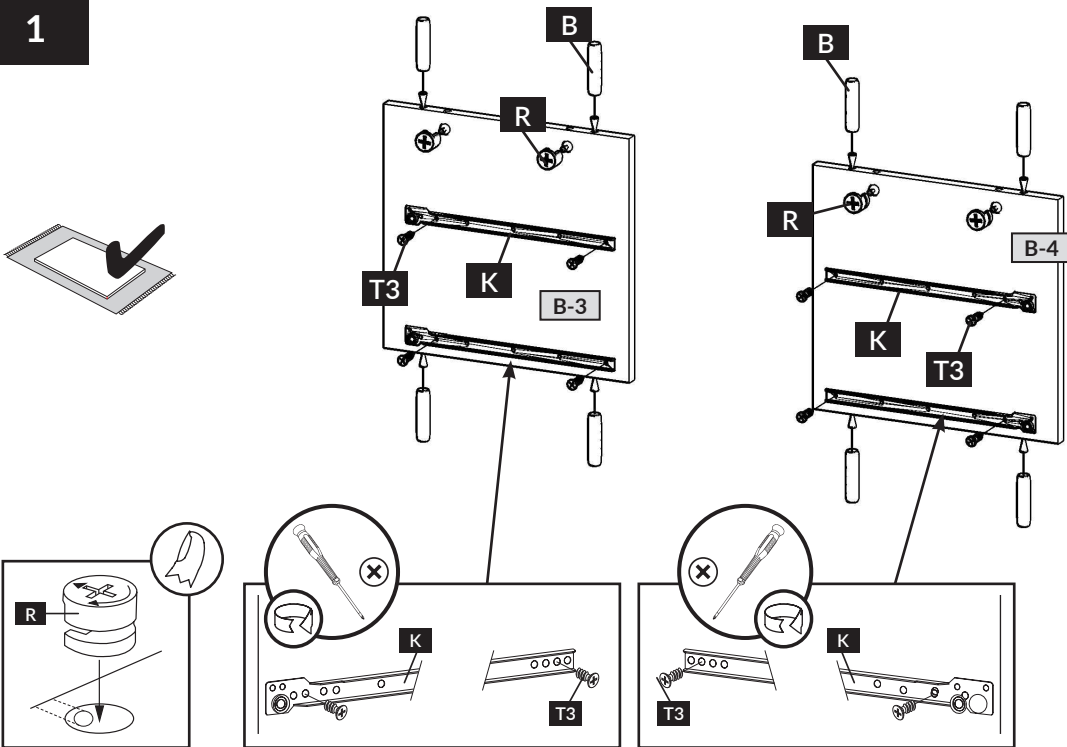


nr	↔ [mm]	↓ [mm]	∇ [mm]	Menge	Colli
B-1	500	400	16	x 1	1/1
B-2	500	400	16	x 1	1/1
B-3	376	400	16	x 1	1/1
B-4	376	400	16	x 1	1/1
B-5	376	468	16	x 1	1/1
B-6	462	183	16	x 2	1/1
B-7	411	120	16	x 2	1/1
B-8	350	120	16	x 2	1/1
B-9	350	120	16	x 2	1/1
B-10	441	356	16	x 2	1/1



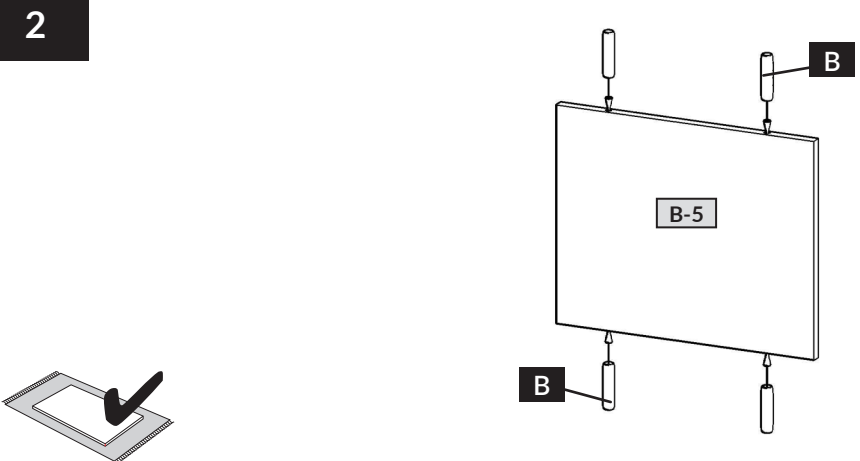


1



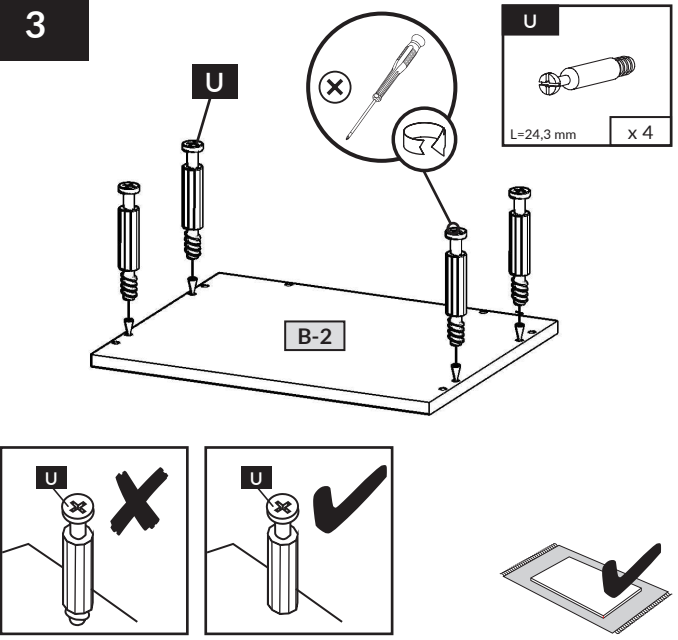
- B**
8 x 32 mm x 8
- K**
L=350 mm x 2
- R**
H=11 mm x 4
- T3**
5 x 9 mm x 8

2



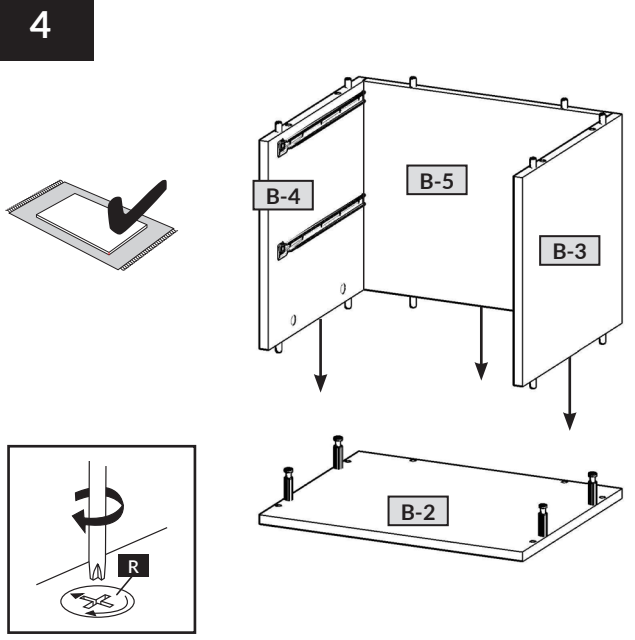
- B**
8 x 32 mm x 4

3



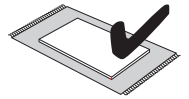
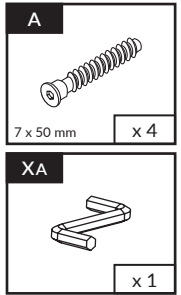
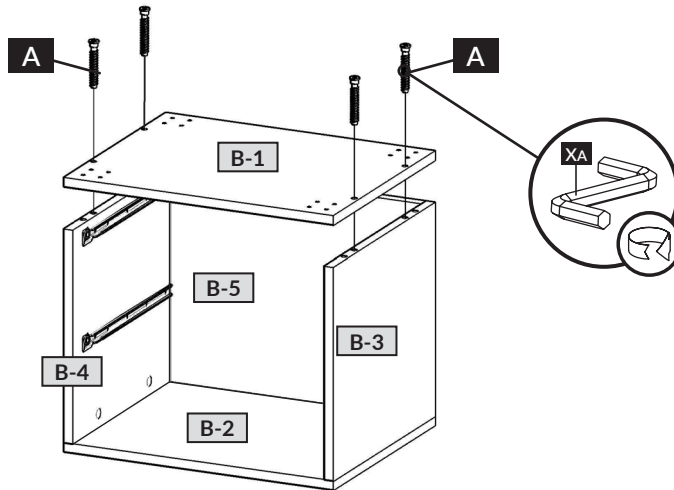
- U**
L=24,3 mm x 4

4

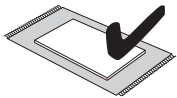
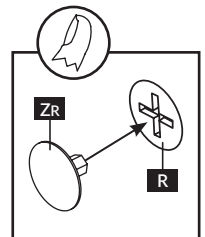
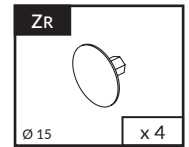
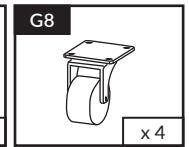
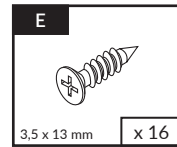
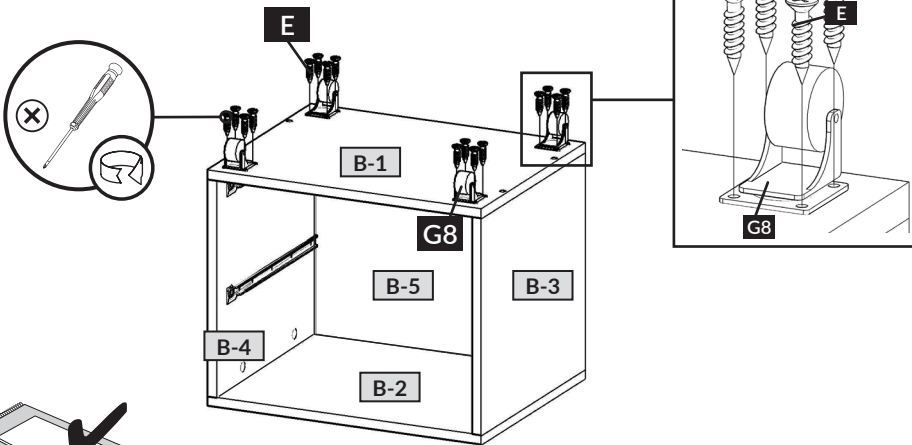




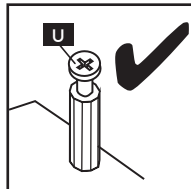
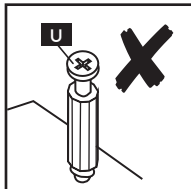
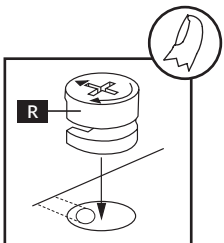
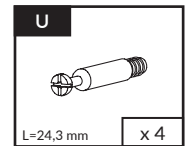
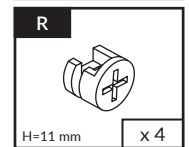
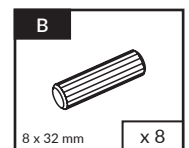
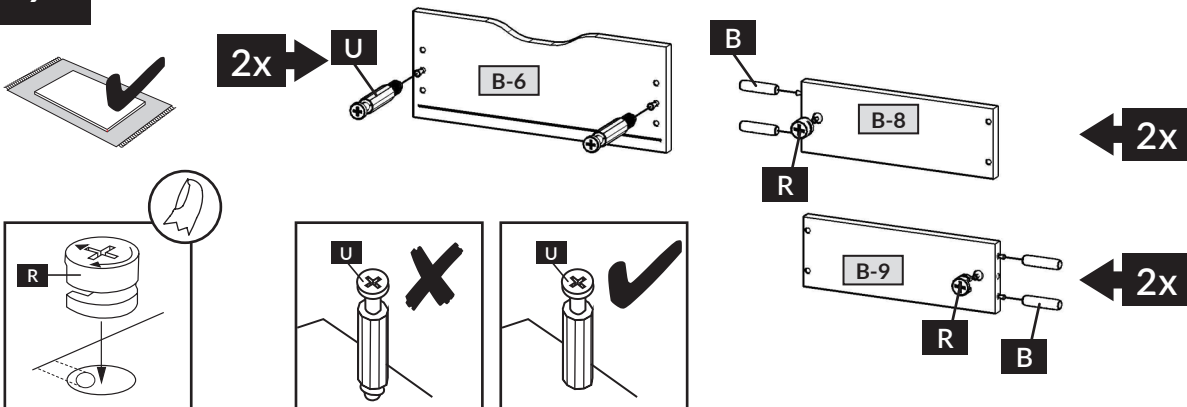
5



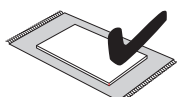
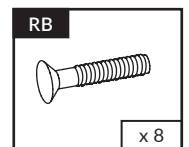
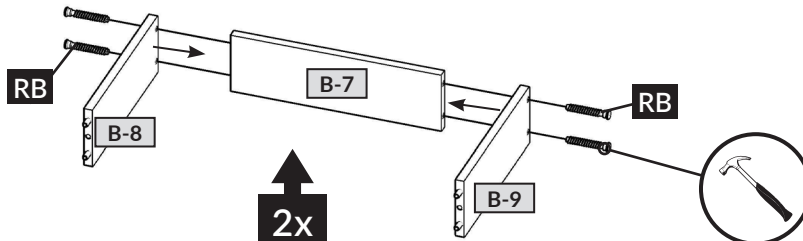
6



7

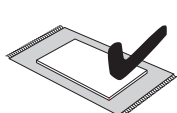
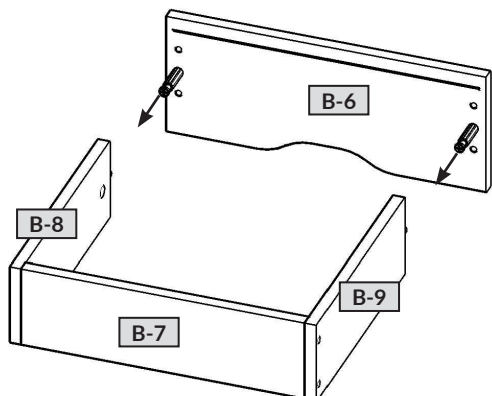


8

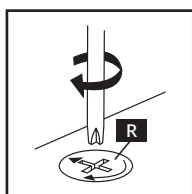




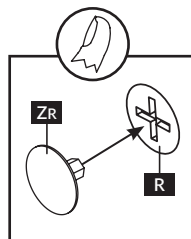
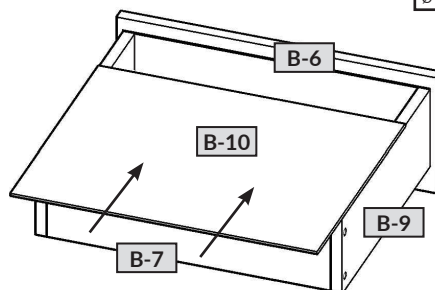
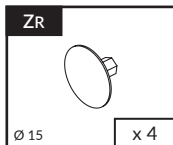
9



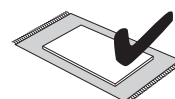
2x



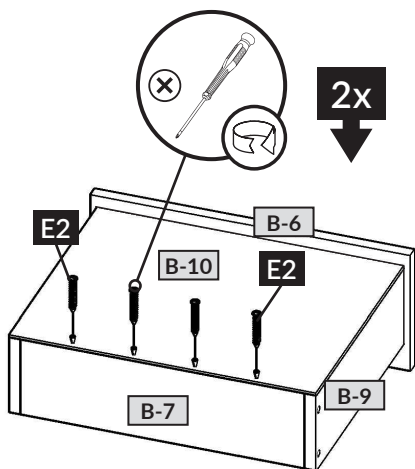
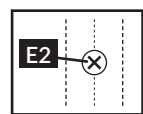
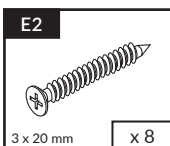
10



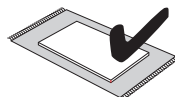
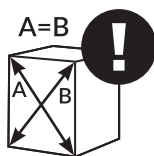
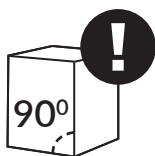
2x



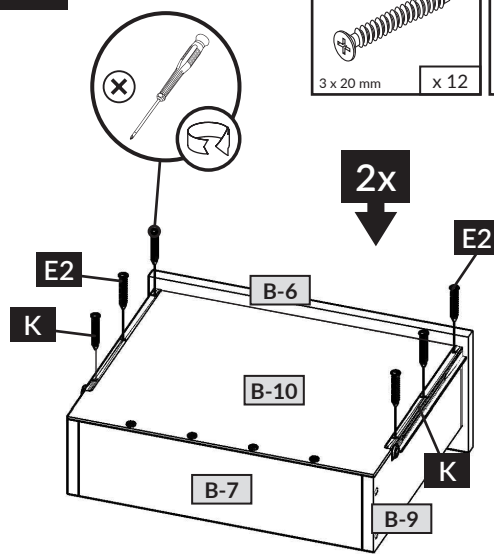
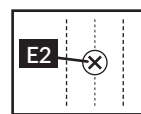
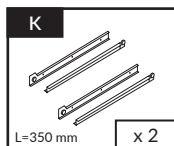
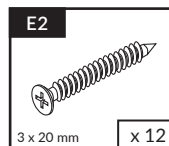
11



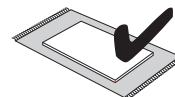
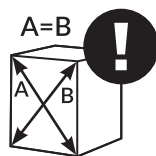
2x



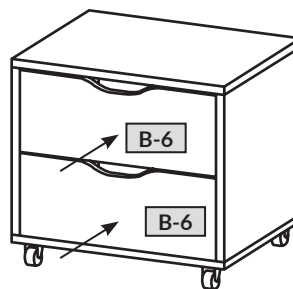
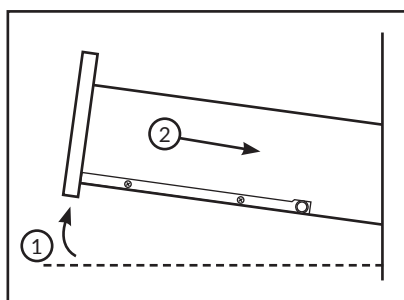
12

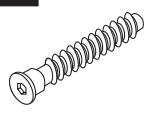
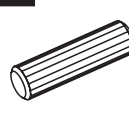



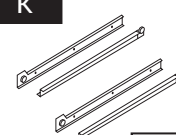

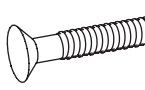
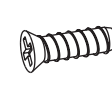
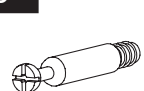




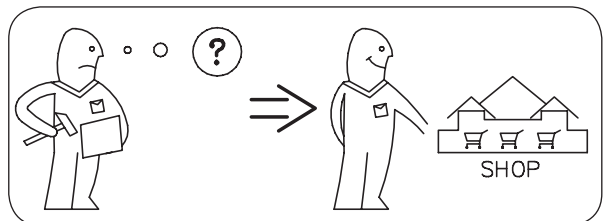
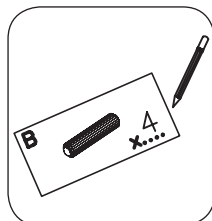
2x



13



<p>A</p>  <p>7 x 50 mm X</p>	<p>B</p>  <p>8 x 32 mm X</p>	<p>E</p>  <p>3,5 x 13 mm X</p>
<p>E2</p>  <p>3 x 20 mm X</p>	<p>G8</p>  <p>X</p>	<p>K</p>  <p>L=350 mm X</p>
<p>R</p>  <p>H=11 mm X</p>	<p>RB</p>  <p>X</p>	<p>T3</p>  <p>5 x 9 mm X</p>
<p>U</p>  <p>L=24,3 mm X</p>	<p>XA</p>  <p>X</p>	<p>ZR</p>  <p>Ø 15 X</p>



nr	↔ [mm]	↓ [mm]	∅ [mm]	Menge	Colli
B-1	500	400	16	x 1	1/1
B-2	500	400	16	x 1	1/1
B-3	376	400	16	x 1	1/1
B-4	376	400	16	x 1	1/1
B-5	376	468	16	x 1	1/1
B-6	462	183	16	x 2	1/1
B-7	411	120	16	x 2	1/1
B-8	350	120	16	x 2	1/1
B-9	350	120	16	x 2	1/1
B-10	441	356	16	x 2	1/1

