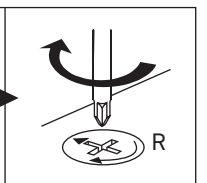
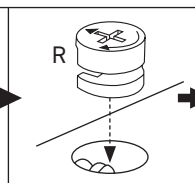
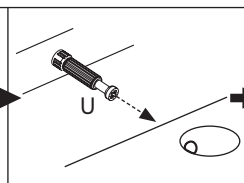
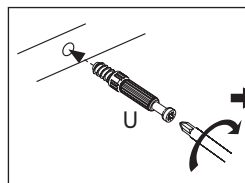
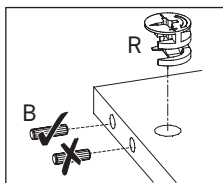
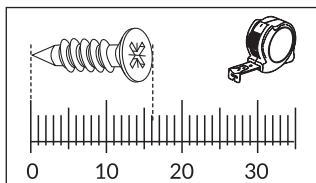
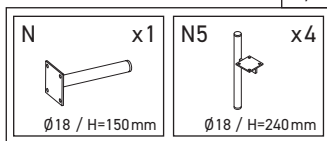
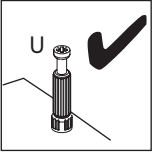
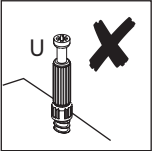
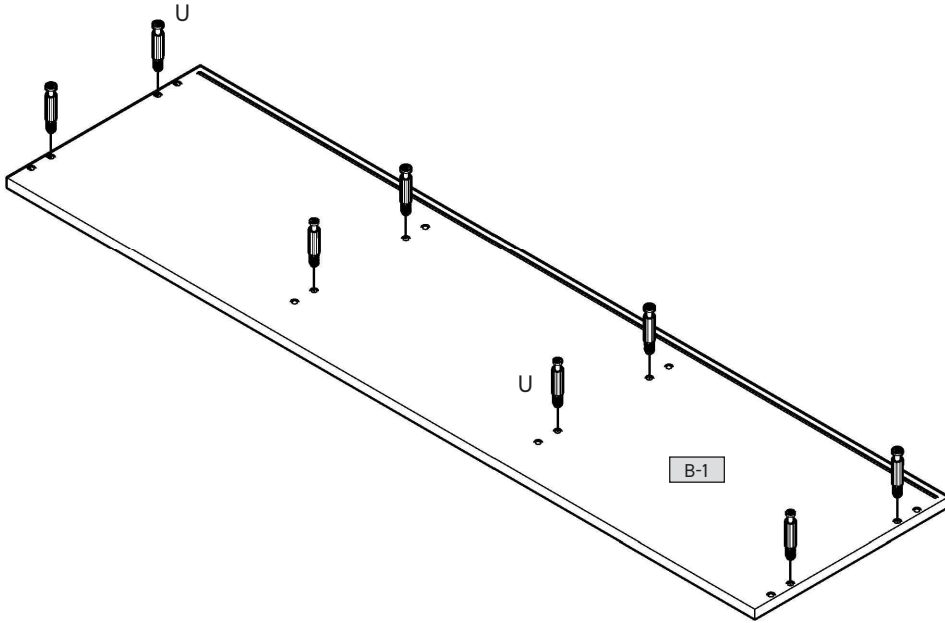
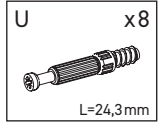


B-1	1531	395	16	x 1	1/3
B-2	1531	395	16	x 1	1/3
B-3	632	394	16	x 1	1/3
B-4	632	394	16	x 1	1/3
B-5	632	345	16	x 1	1/3
B-6	632	345	16	x 1	1/3
B-7	492	335	16	x 1	1/3
B-8	482	335	16	x 1	1/3
B-9a	626	496	16	x 1	2/3
B-9b	626	496	16	x 1	2/3
B-10	206	496	16	x 3	2/3
B-11	300	120	16	x 3	1/3
B-12	300	120	16	x 3	1/3
B-13	426	120	16	x 3	2/3
B-14	456	306	3	x 3	1/3
B-15	1512	646	3	x 1	1/3

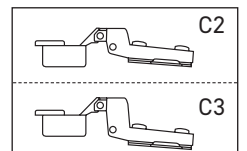
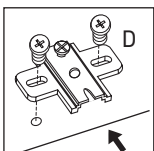
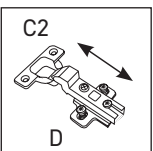
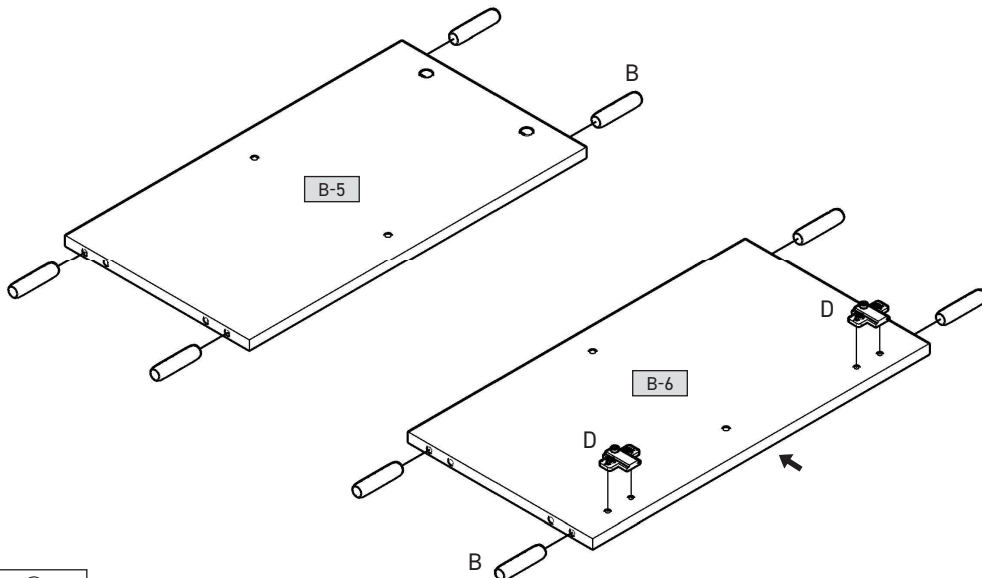
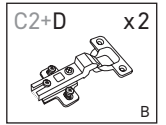
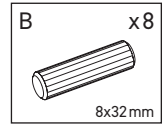
3/3



1



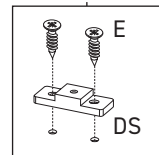
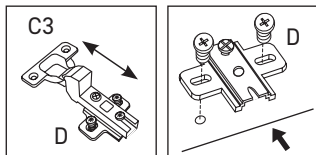
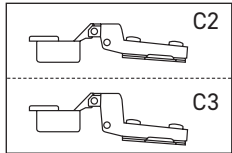
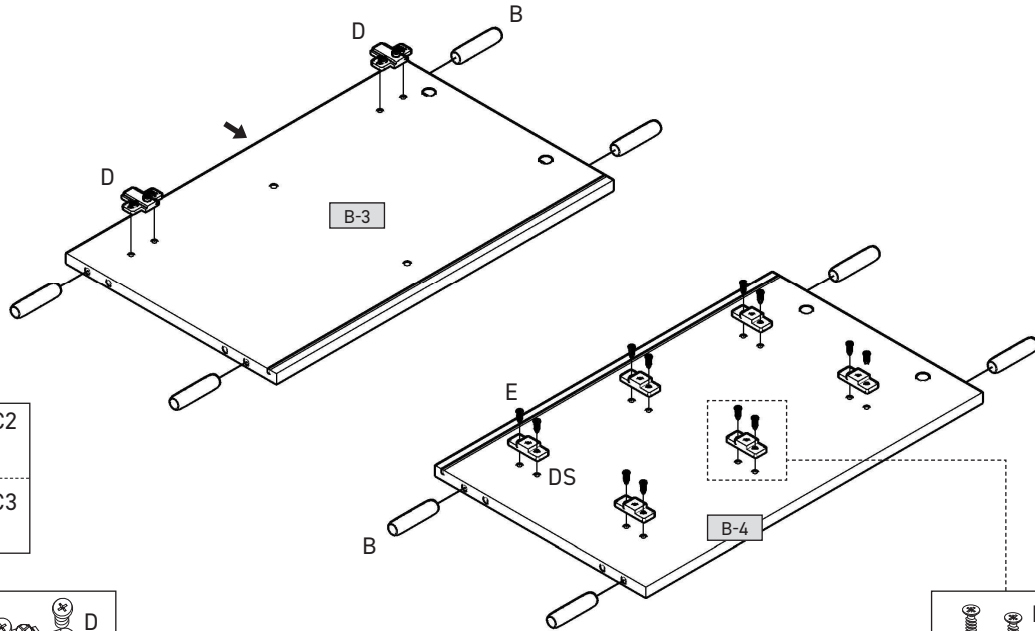
2



### 3



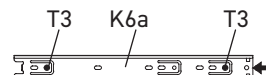
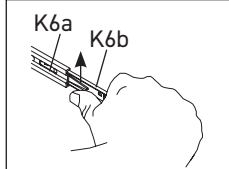
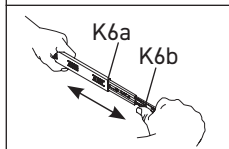
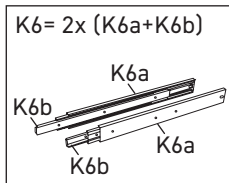
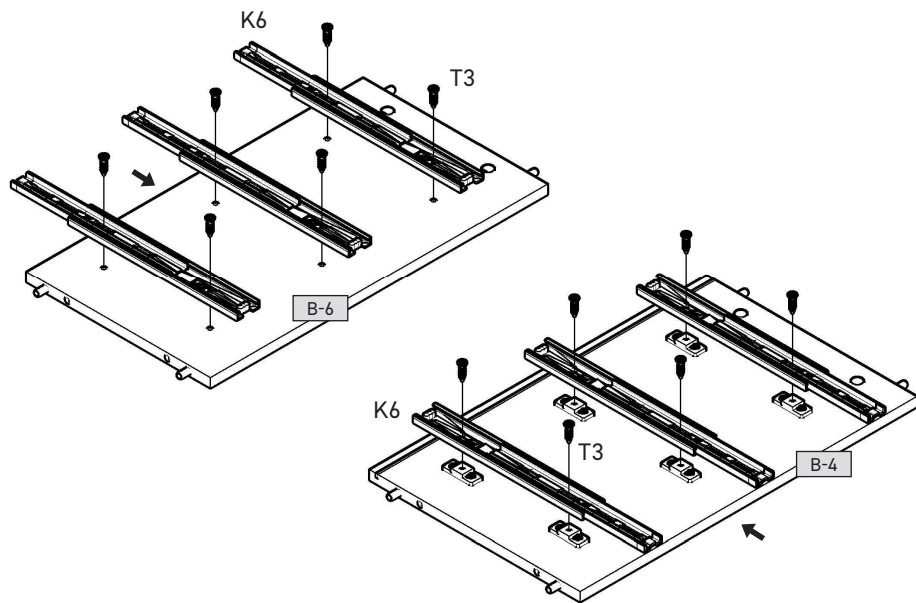
<b>B</b>	x8	<b>C3+D</b>	x2	<b>DS</b>	x6	<b>E</b>	x12
	8x32mm		W		H=10mm		3,5x13mm



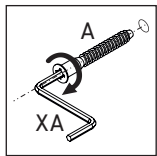
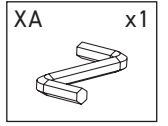
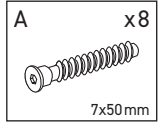
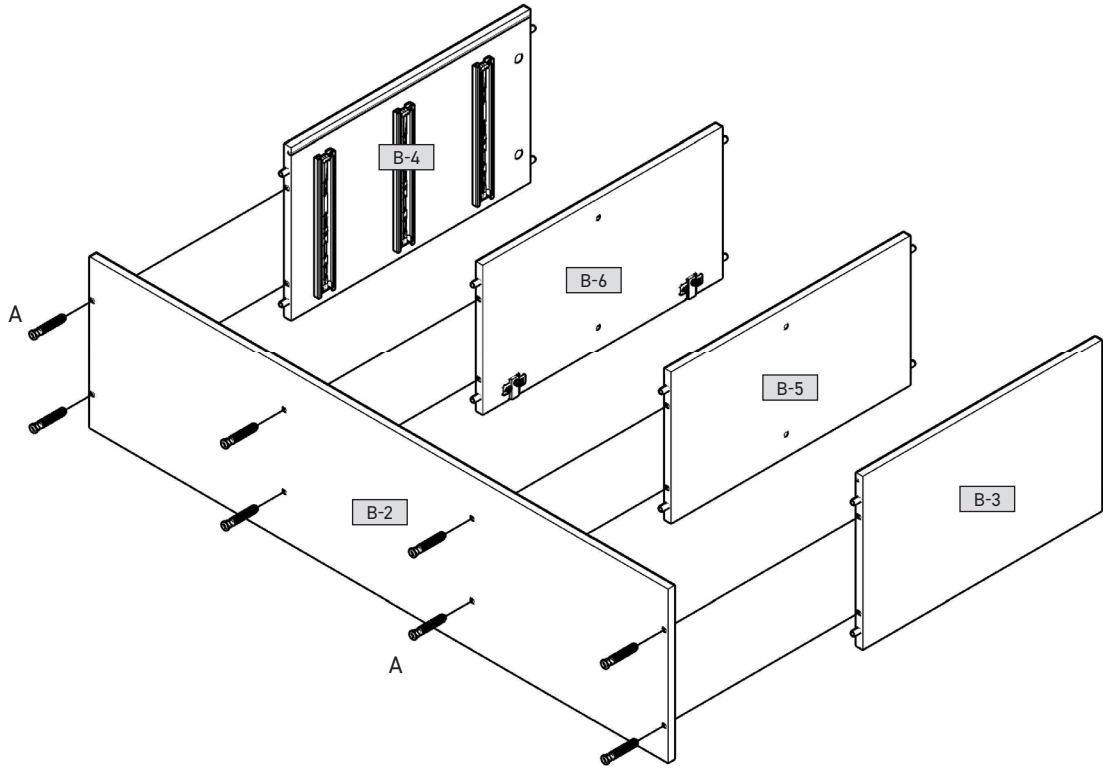
### 4



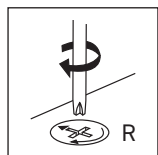
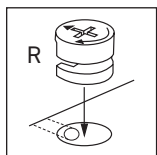
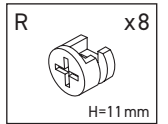
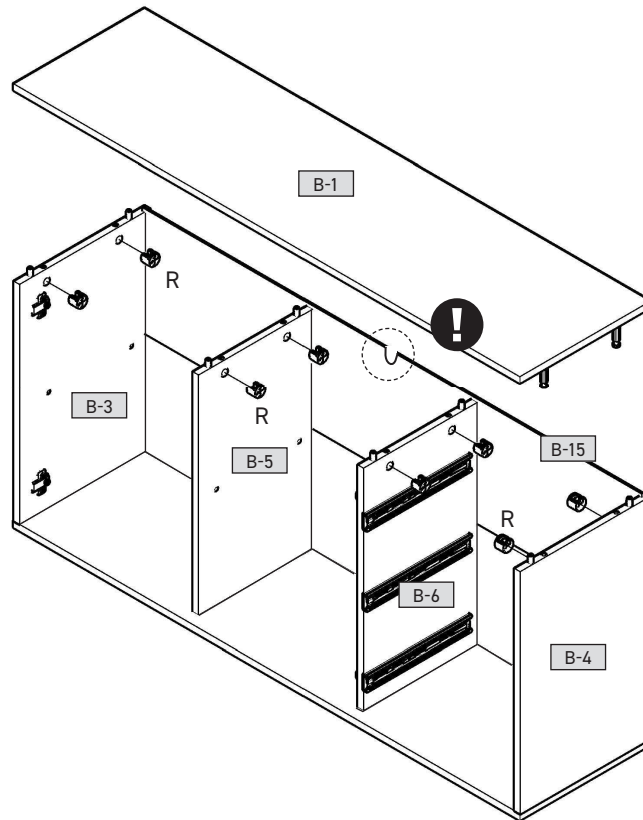
<b>K6</b>	x3	<b>T3</b>	x12
	L=300mm		5x9mm



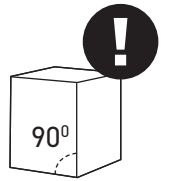
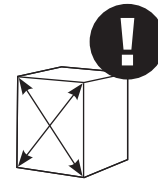
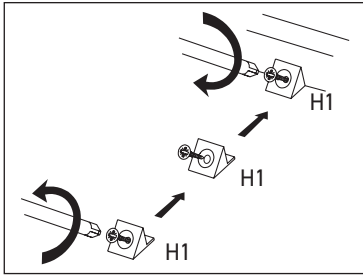
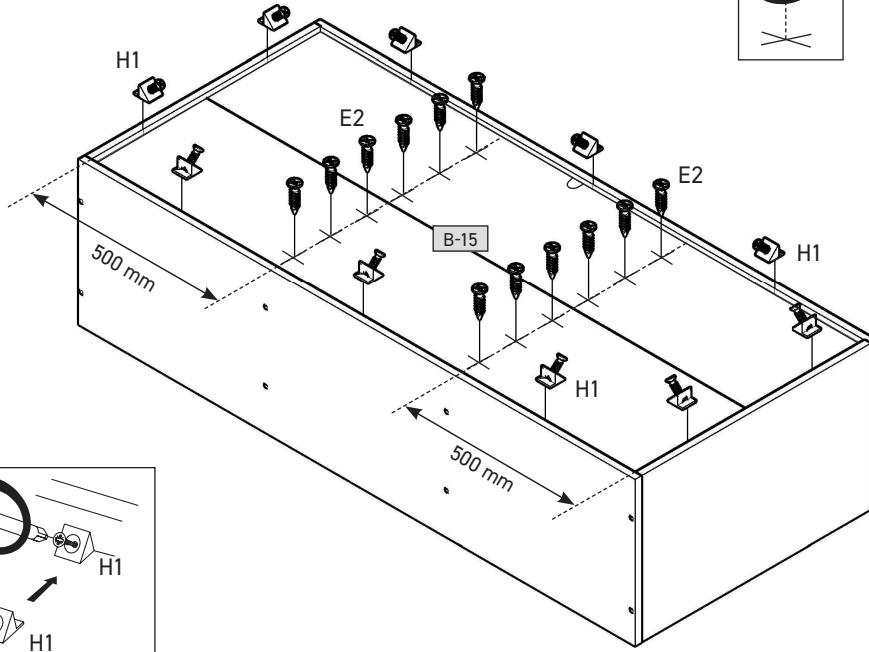
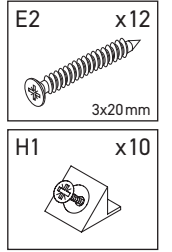
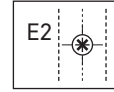
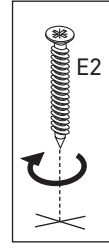
5



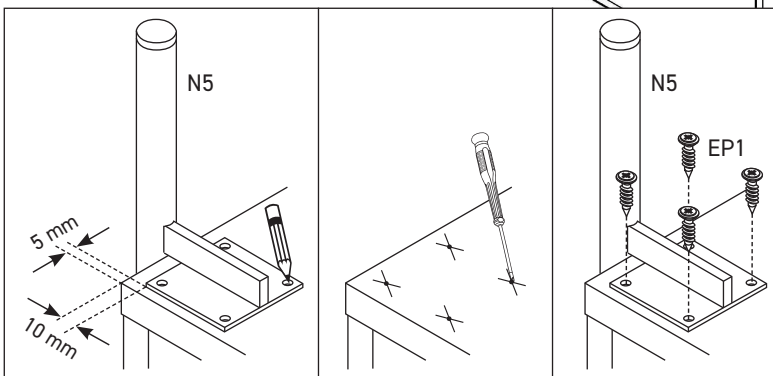
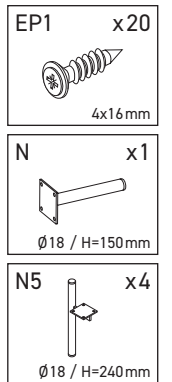
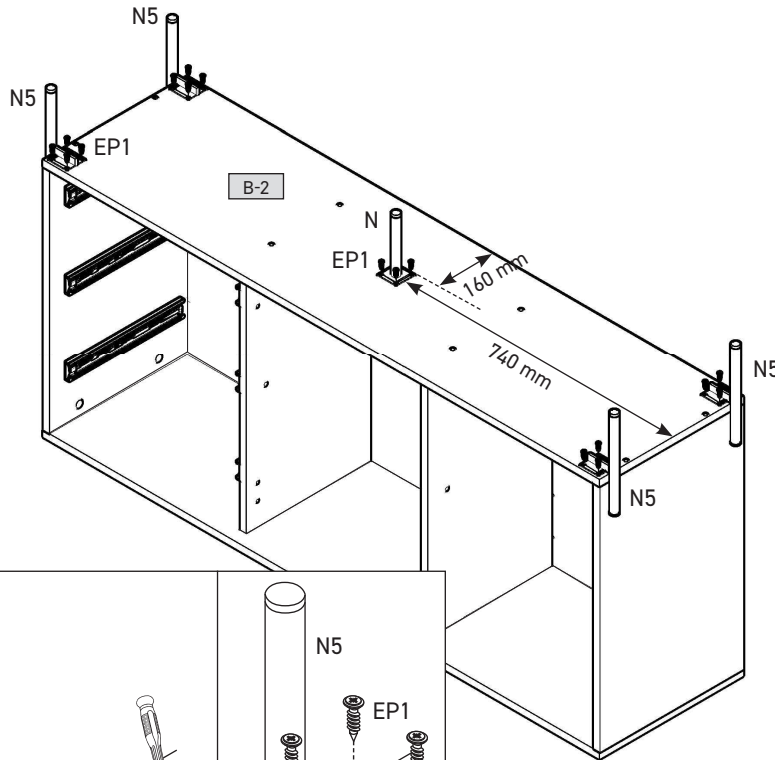
6



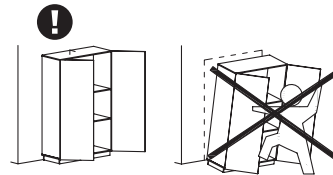
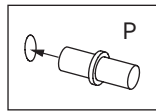
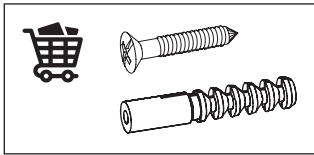
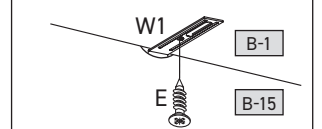
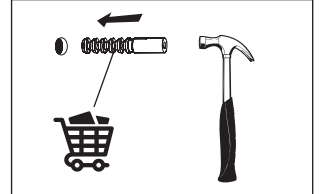
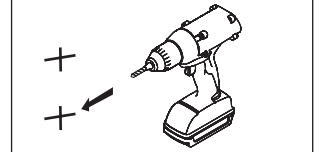
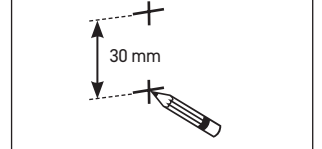
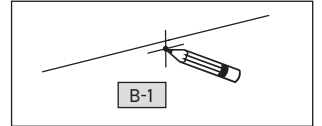
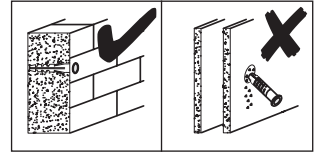
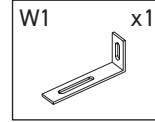
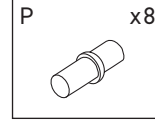
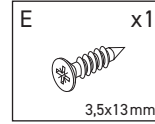
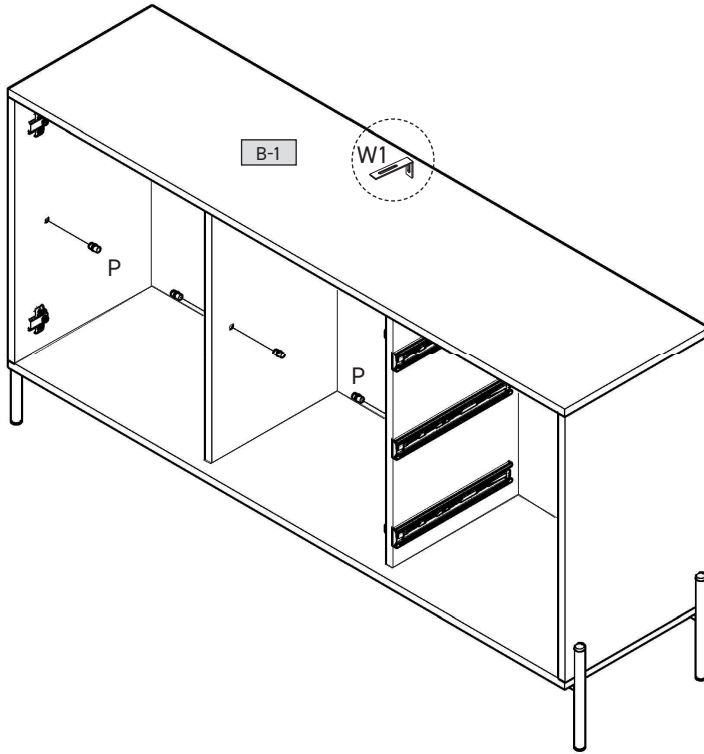
7



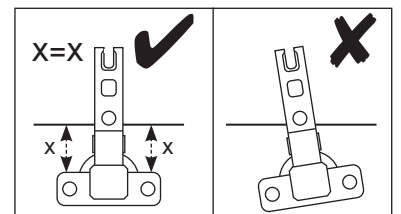
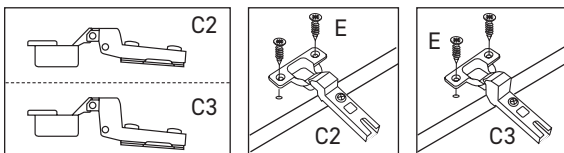
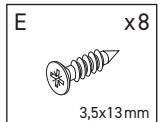
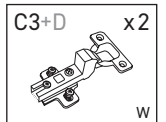
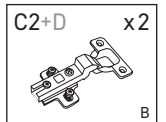
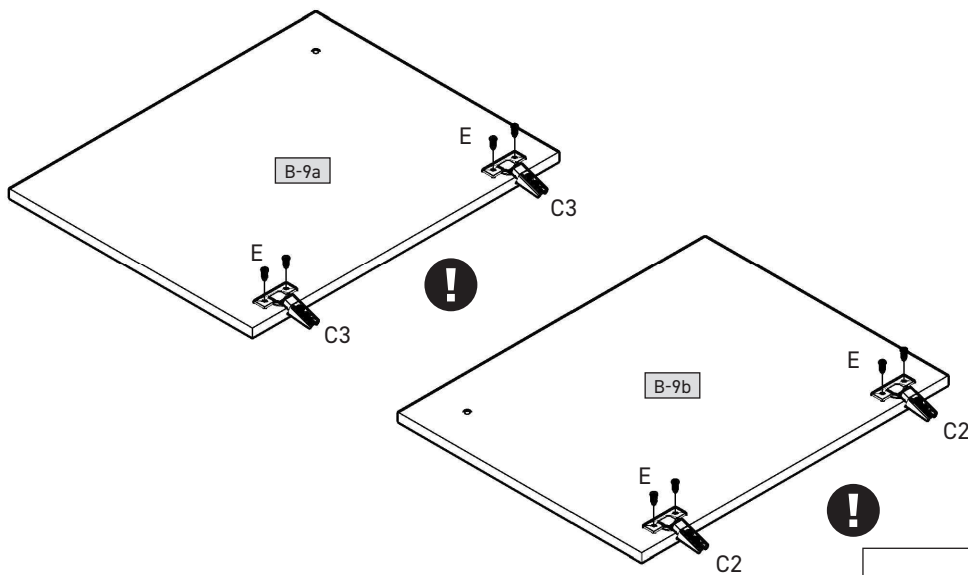
8



9

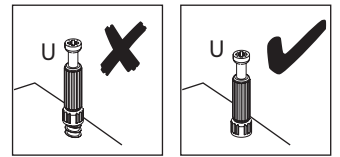
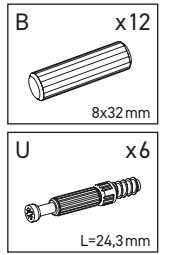
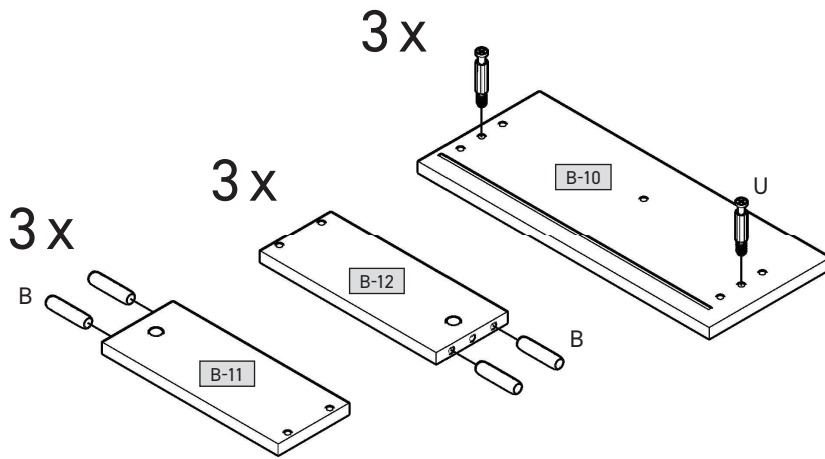


10

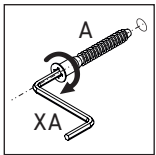
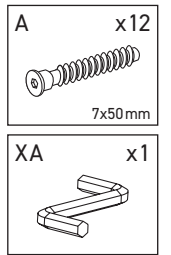
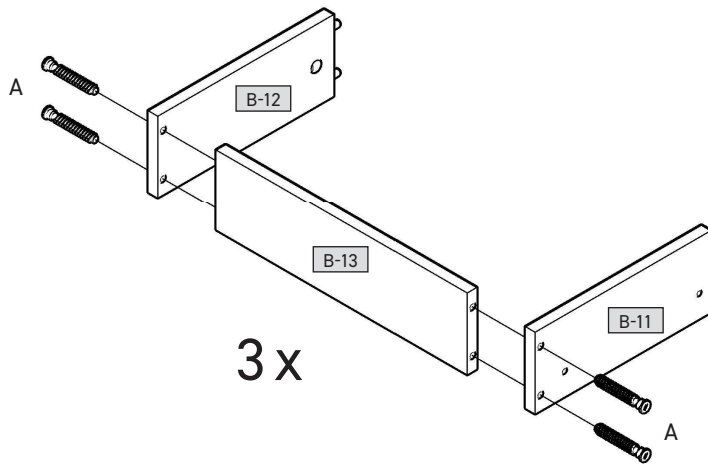




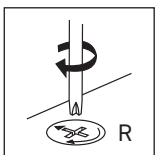
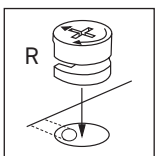
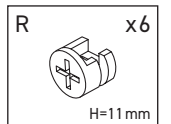
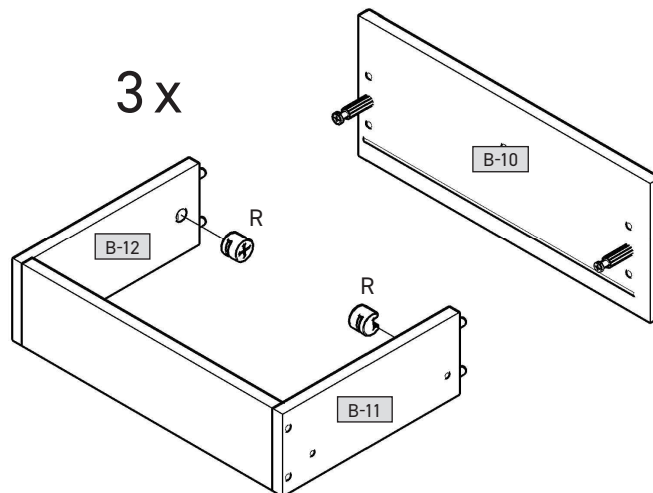
11



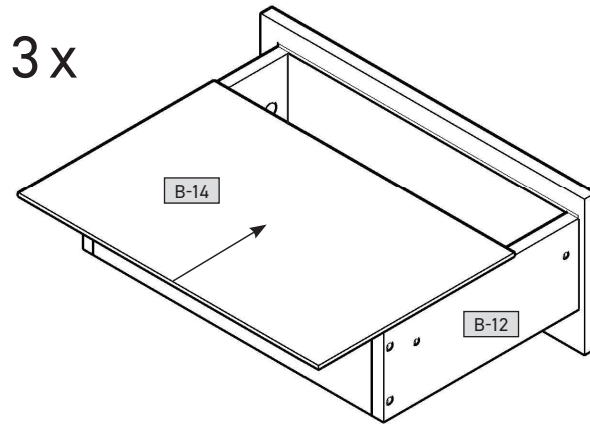
12



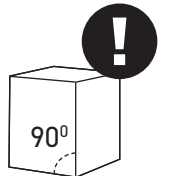
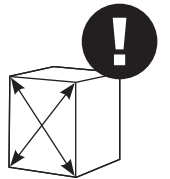
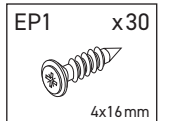
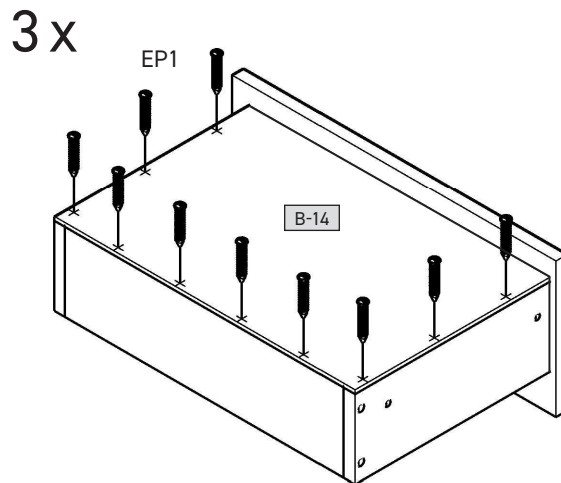
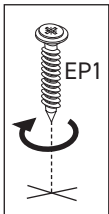
13



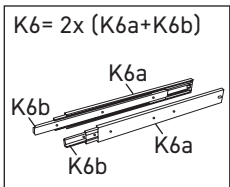
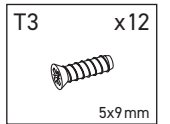
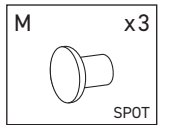
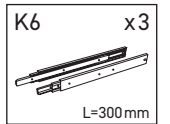
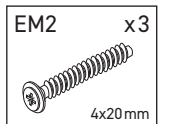
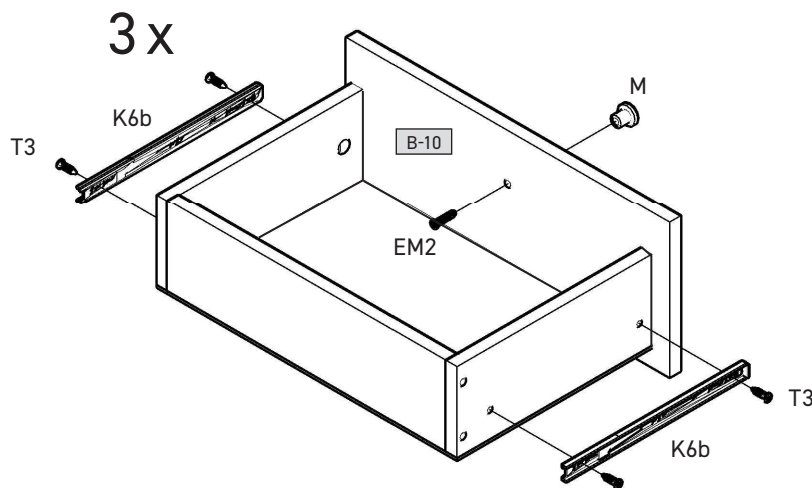
14



15



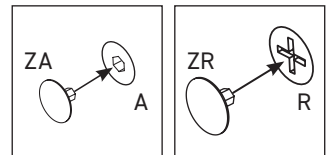
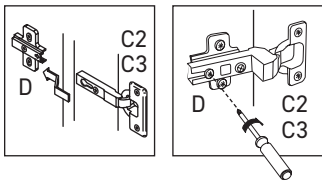
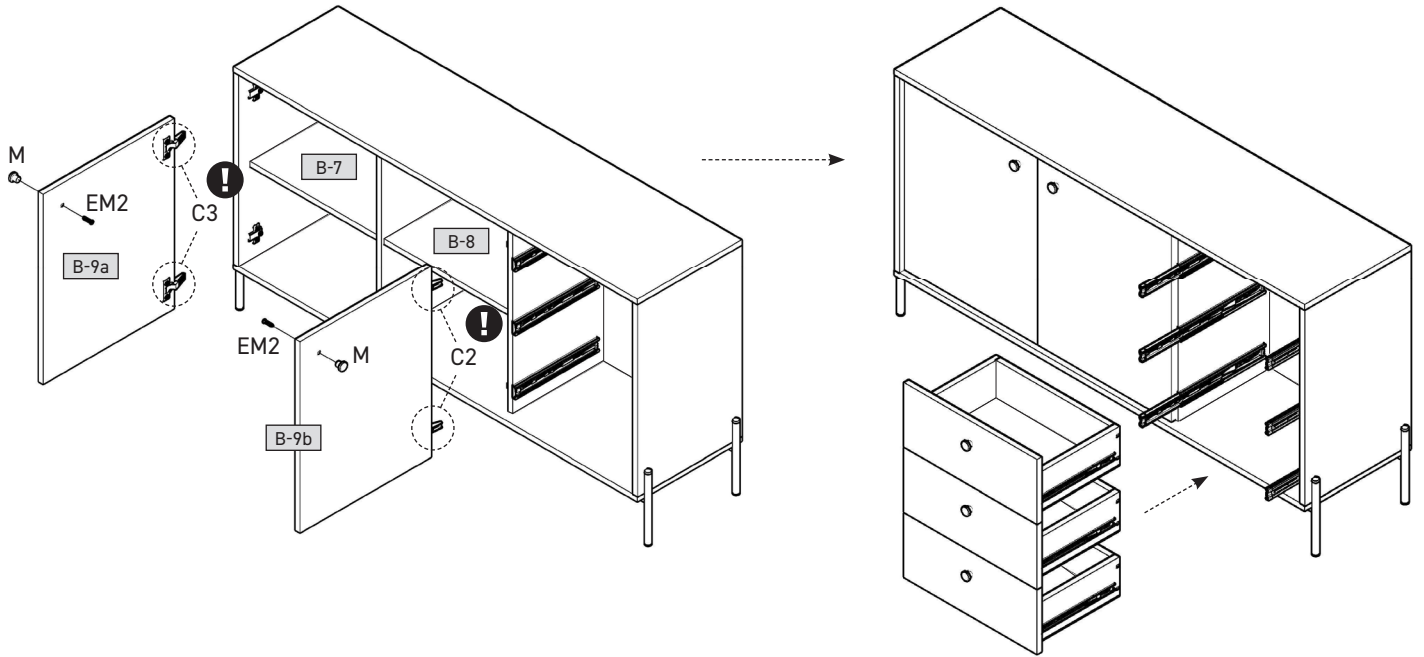
16



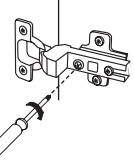
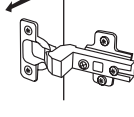
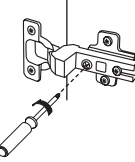
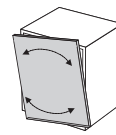
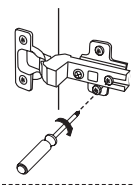
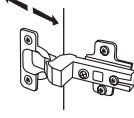
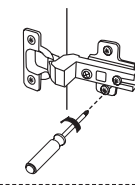
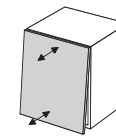
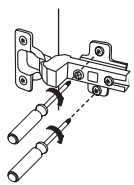
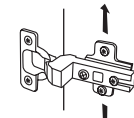
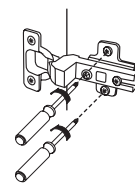
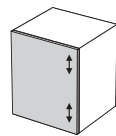
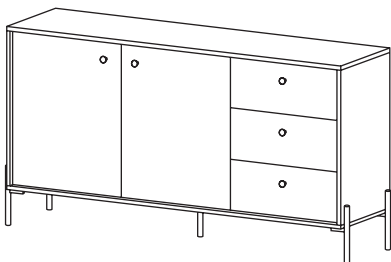
17

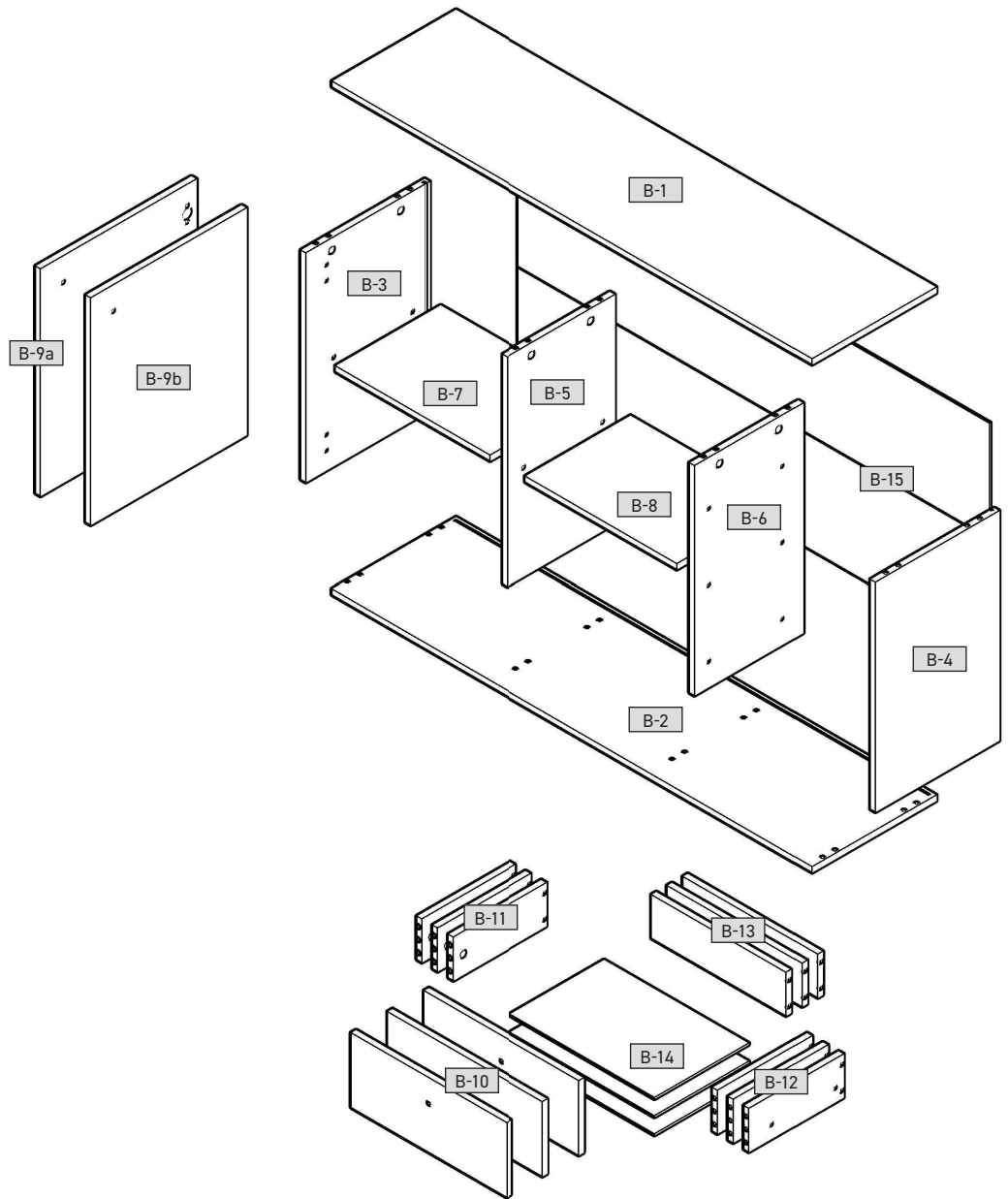
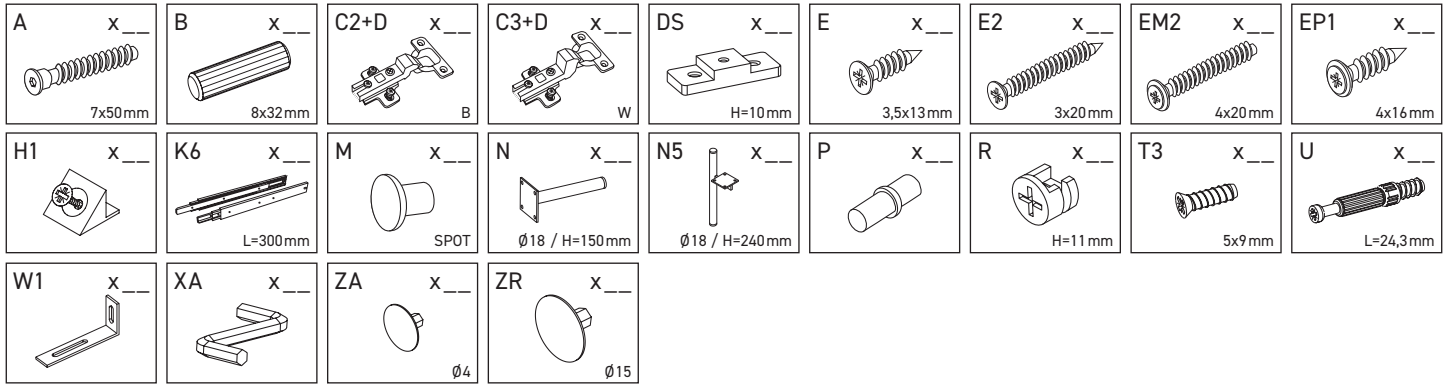


EM2 x2 4x20mm	M x2 SPOT	ZA x20 Ø4	ZR x14 Ø15
------------------	--------------	--------------	---------------



18





B-1	1531	395	16	x 1	1/3
B-2	1531	395	16	x 1	1/3
B-3	632	394	16	x 1	1/3
B-4	632	394	16	x 1	1/3
B-5	632	345	16	x 1	1/3
B-6	632	345	16	x 1	1/3
B-7	492	335	16	x 1	1/3
B-8	482	335	16	x 1	1/3
B-9a	626	496	16	x 1	2/3
B-9b	626	496	16	x 1	2/3
B-10	206	496	16	x 3	2/3
B-11	300	120	16	x 3	1/3
B-12	300	120	16	x 3	1/3
B-13	426	120	16	x 3	2/3
B-14	456	306	3	x 3	1/3
B-15	1512	646	3	x 1	1/3

3/3

