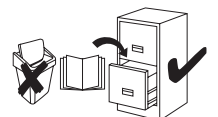
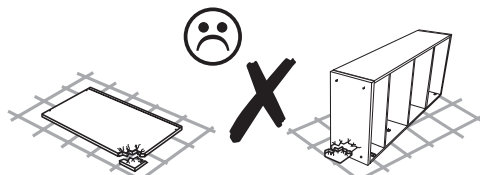
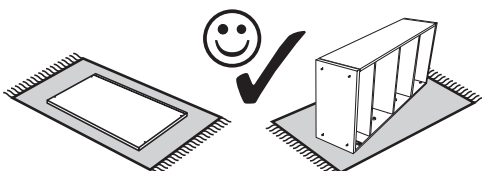
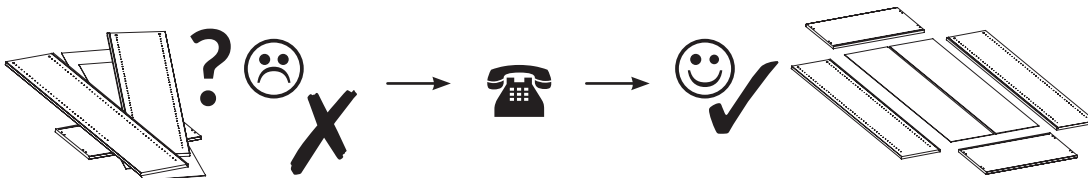
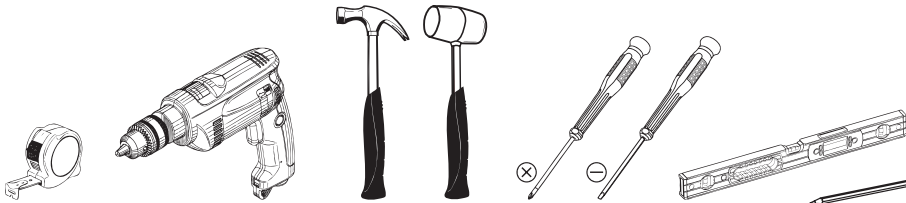
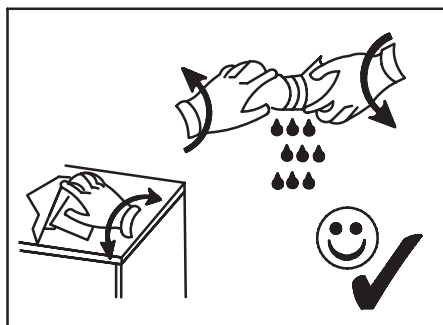
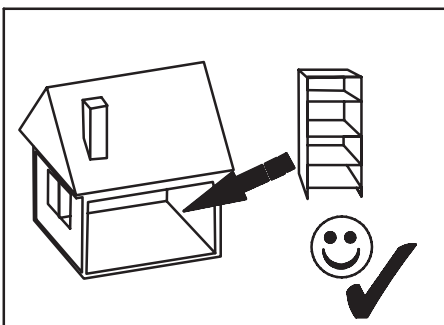
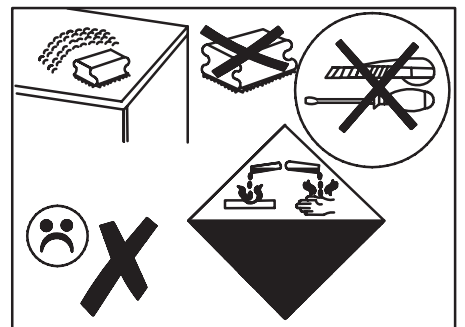
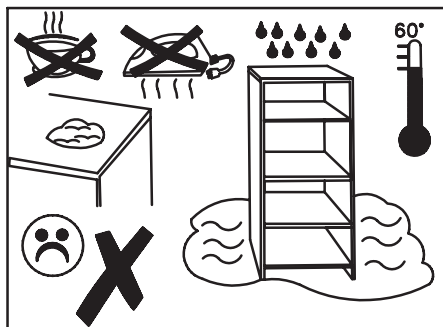
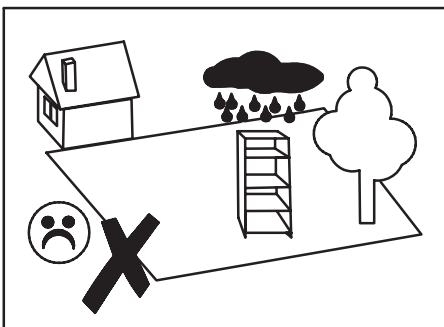
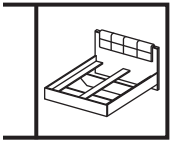
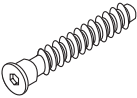

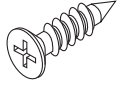
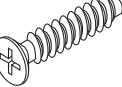

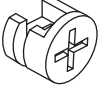
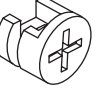
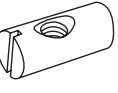
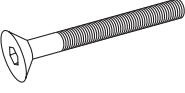
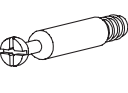
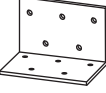
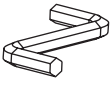


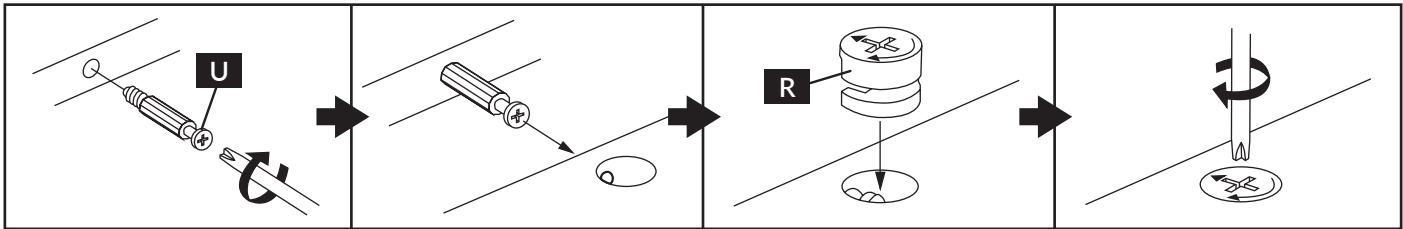
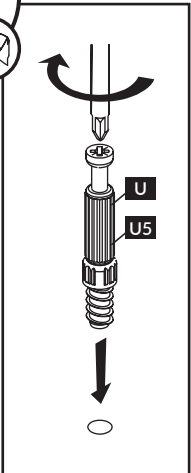
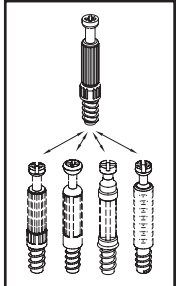
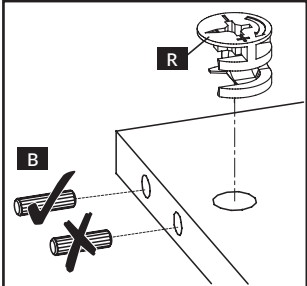
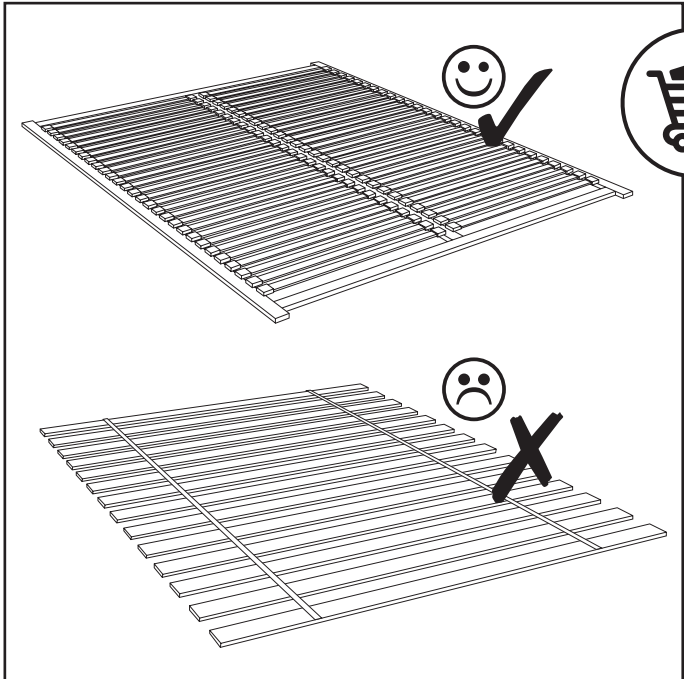
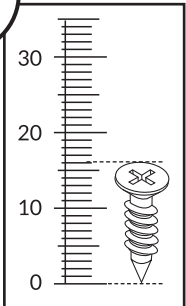
2023-09-06





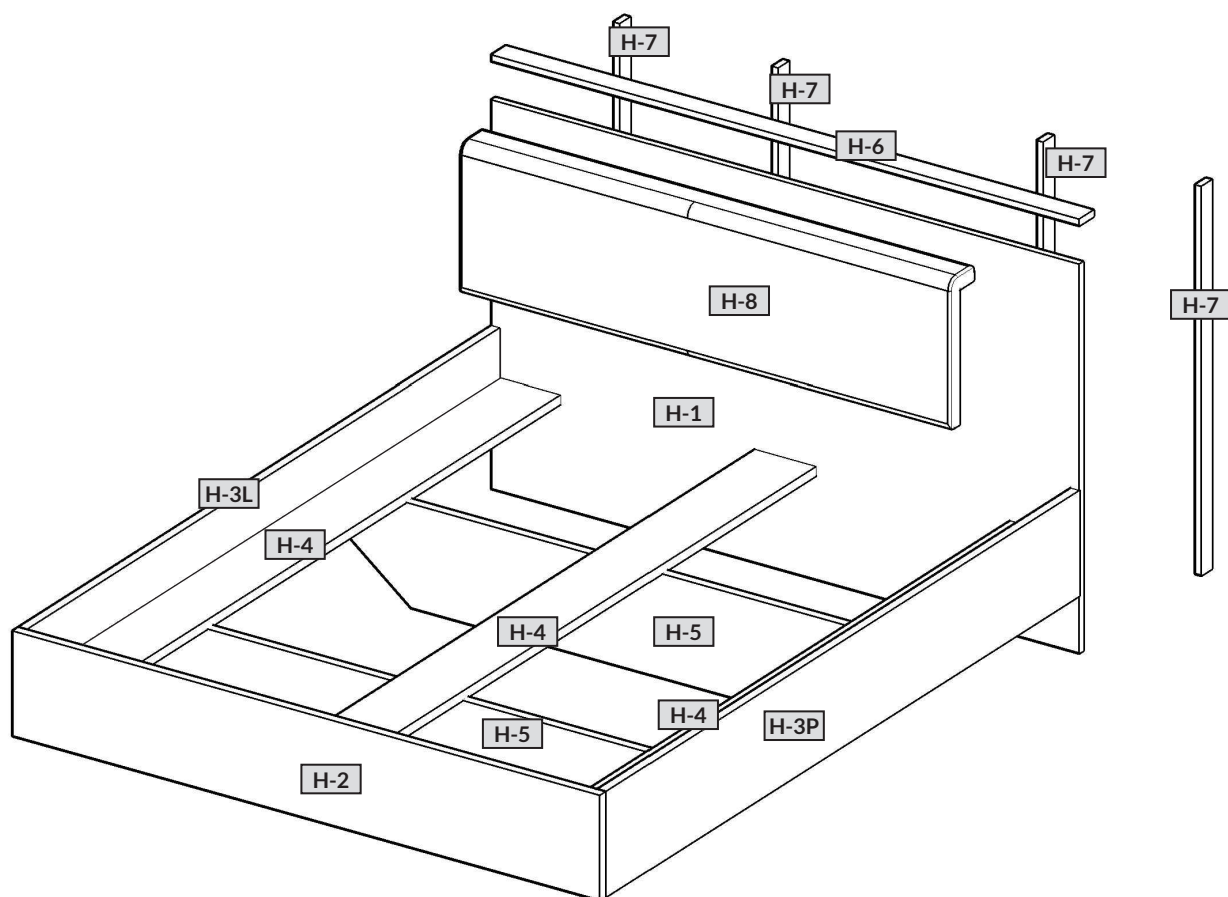


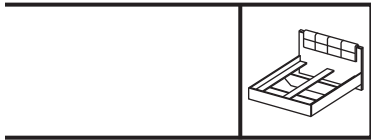
A  7 x 50 mm x 18	B  8 x 32 mm x 32	E5  4 x 16 mm x 24	EM3  6 x 35 mm x 6	G2  x 8	R  H=11 mm x 18
R1  H=15 mm x 8	RR A  x 4	RR B  6 x 55 x 4	U  L=24,3 mm x 26	W9  x 3	XA  x 1



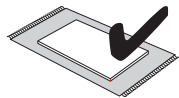
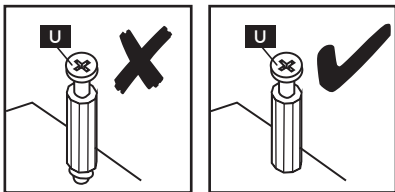
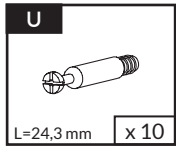
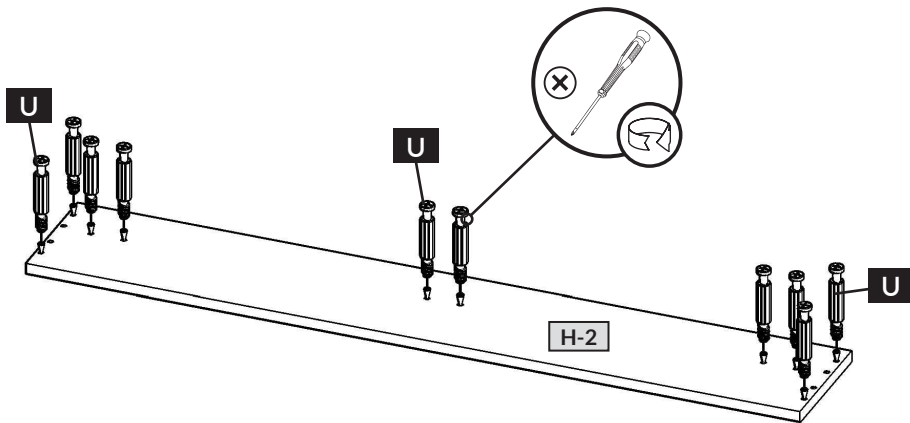


nr	↔ [mm]	↕ [mm]	∅ [mm]	Menge	Colli
H-1	1644	1000	16	x1	1/2
H-2	1644	270	22	x1	1/2
H-3L	2000	270	22	x1	2/2
H-3P	2000	270	22	x1	2/2
H-4	2000	170	15	x3	2/2
H-5	1600	268	16	x2	1/2
H-6	1644	60	16	x1	2/2
H-7	1000	44	16	x4	2/2
H-8	1370	310	90	x1	2/2

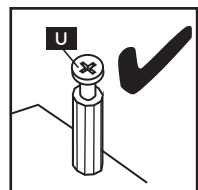
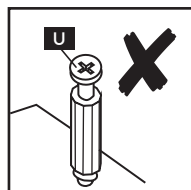
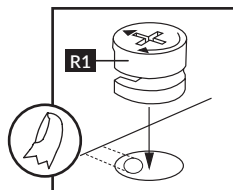
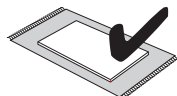
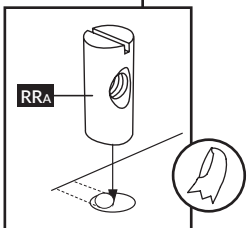
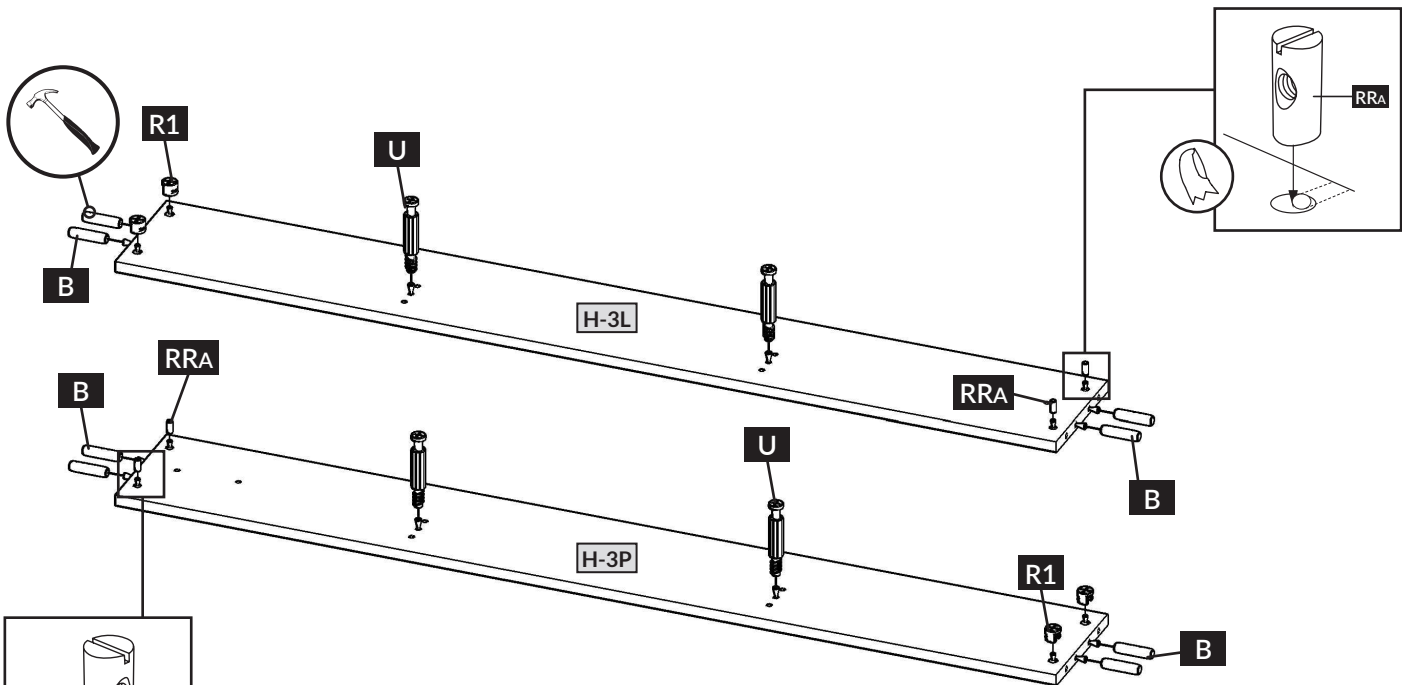
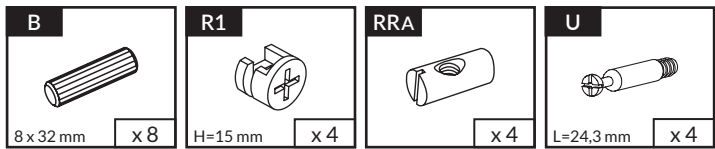


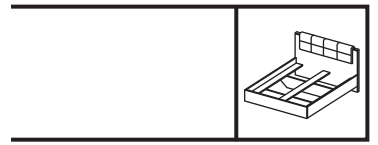


1

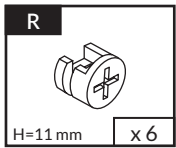


2

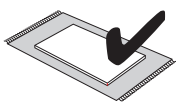
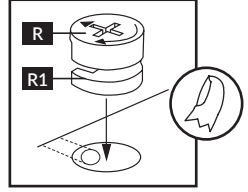
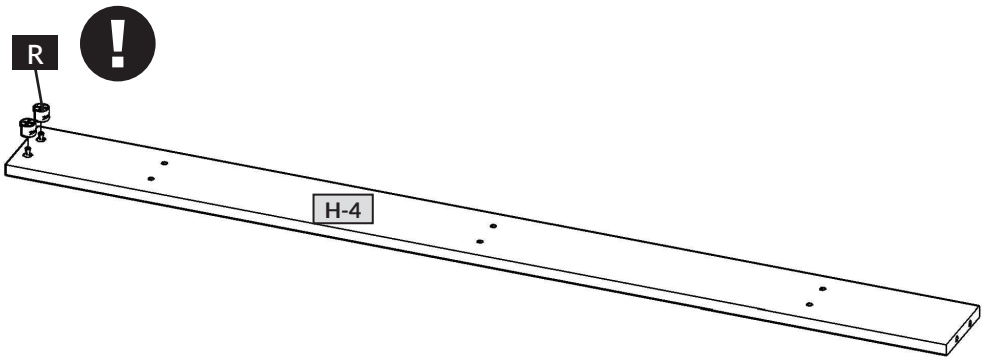




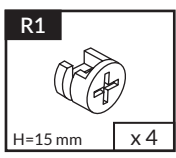
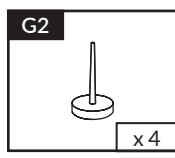
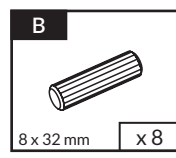
3



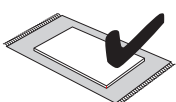
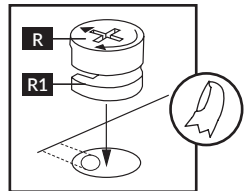
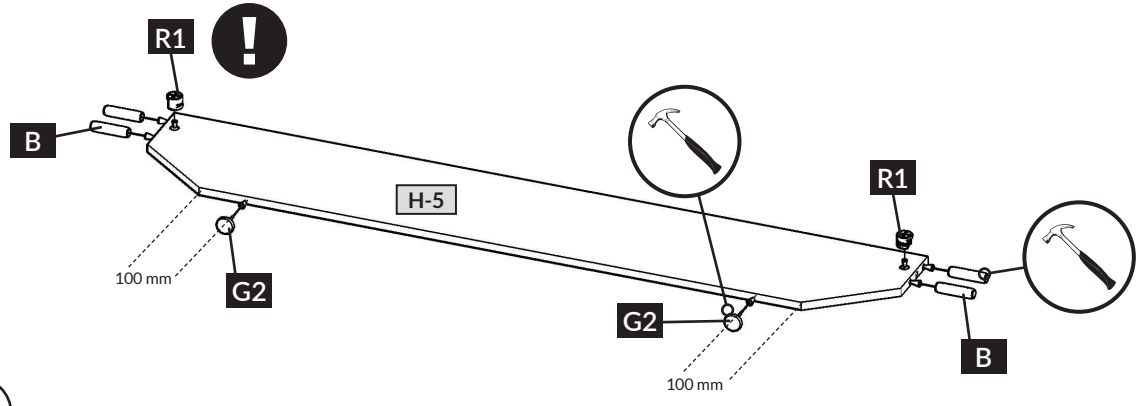
3x



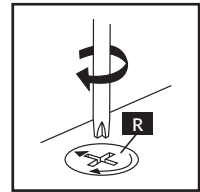
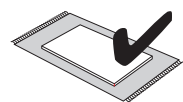
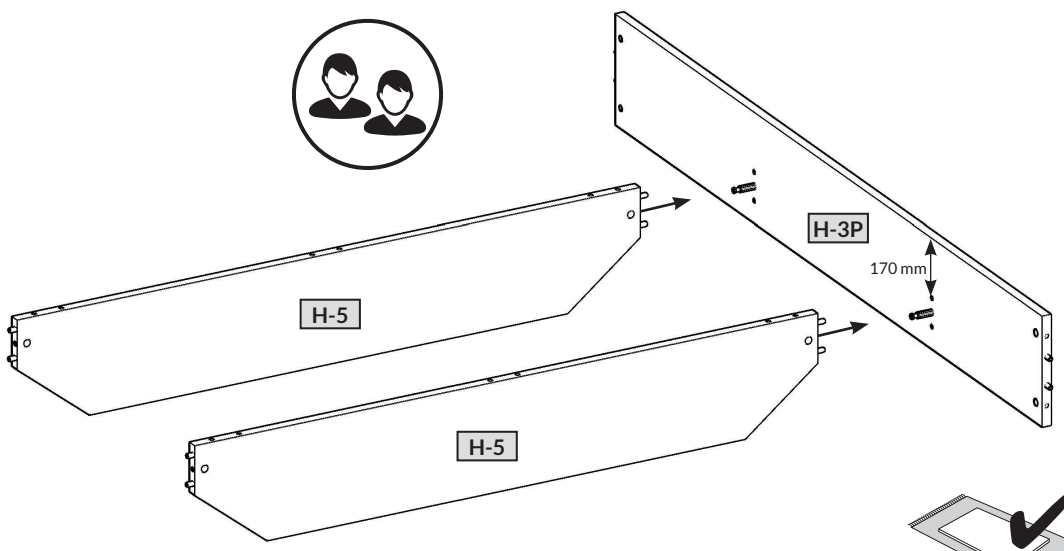
4

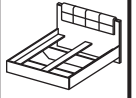


2x

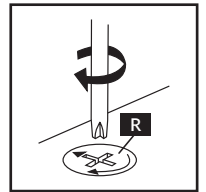
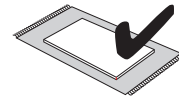
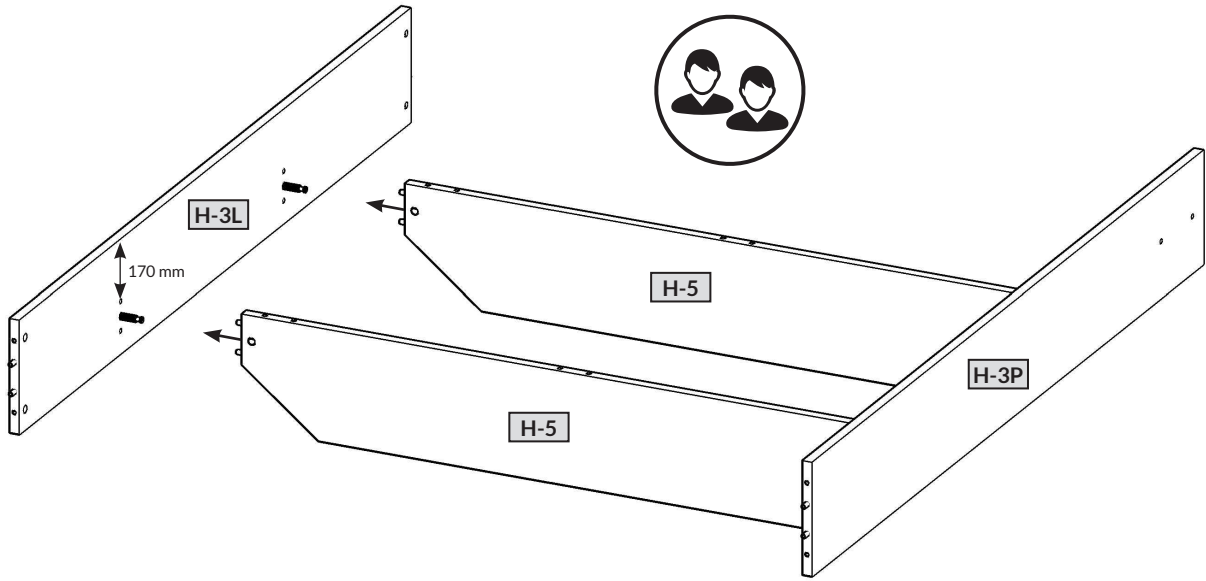


5

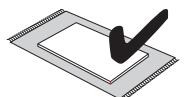
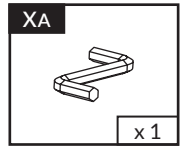
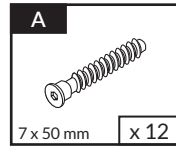
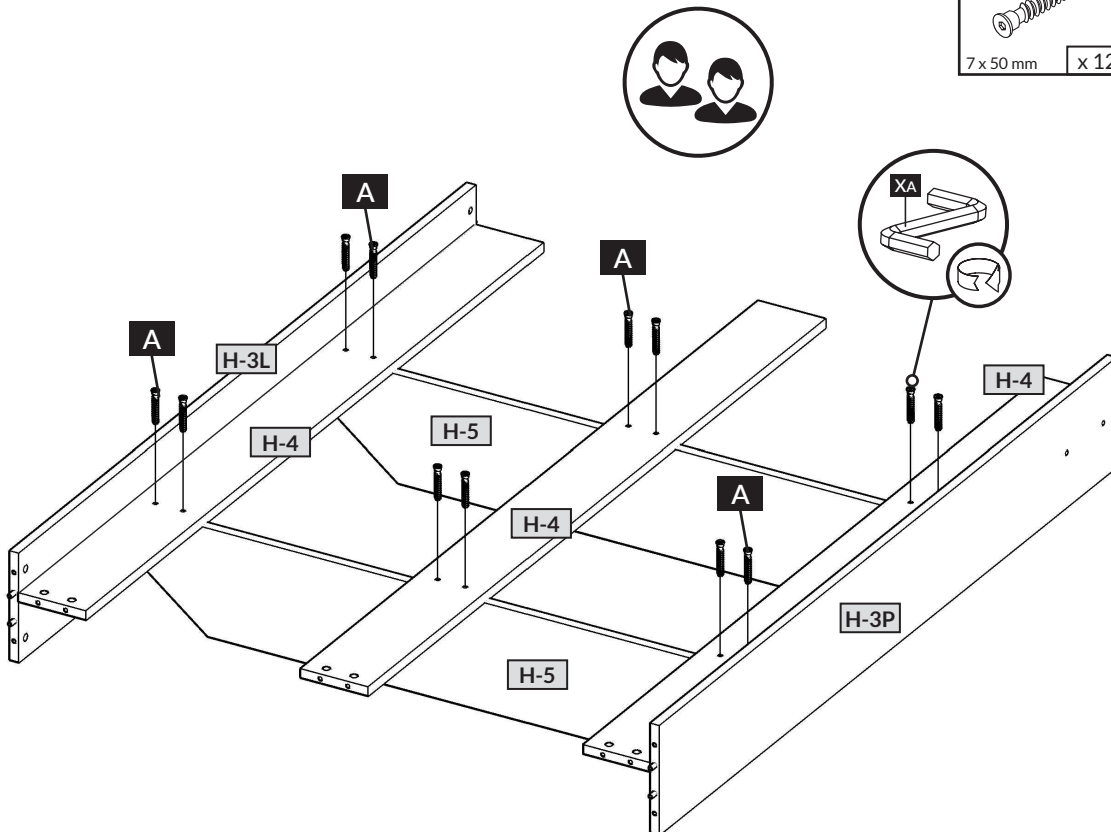


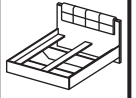


6

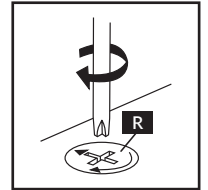
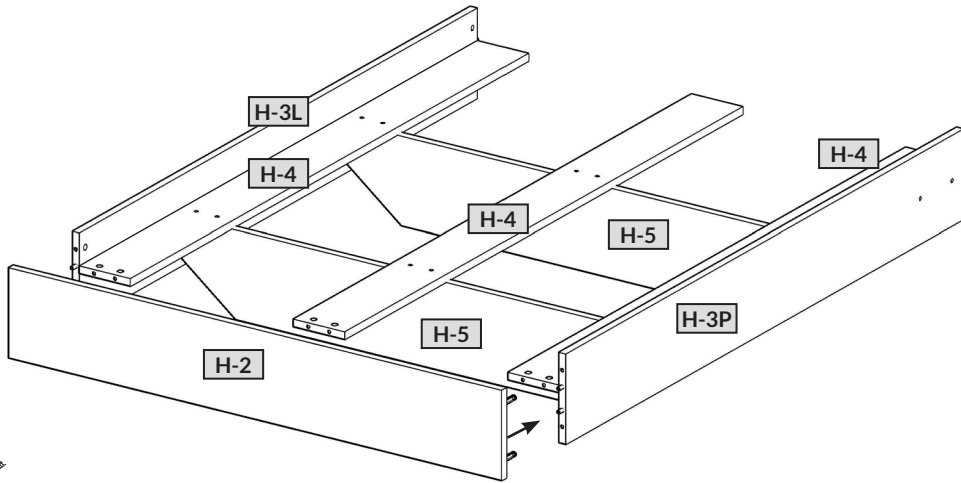


7

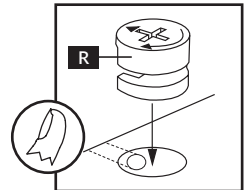
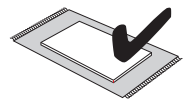
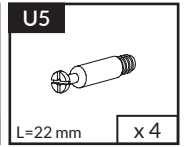
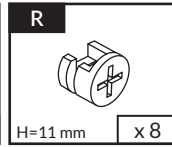
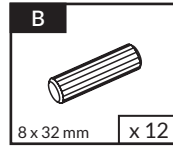
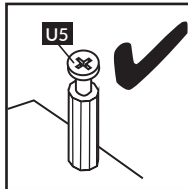
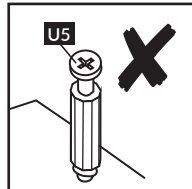
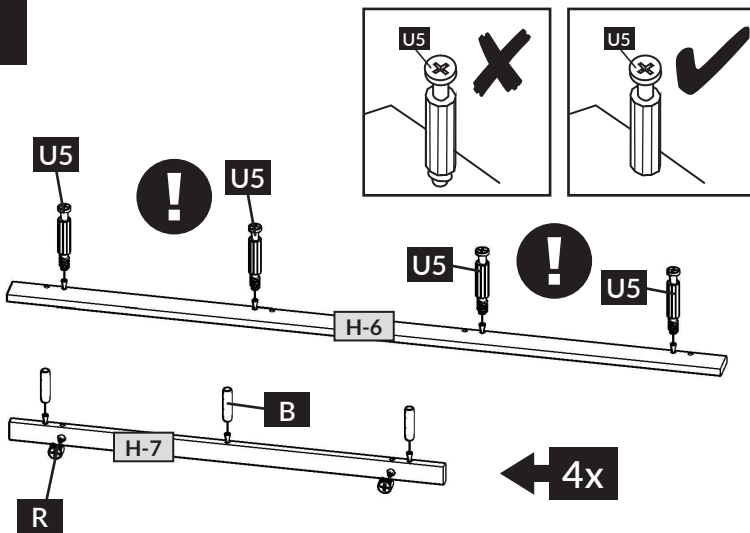




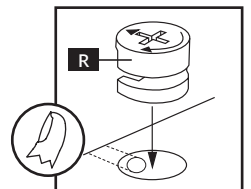
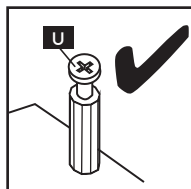
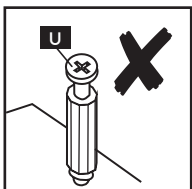
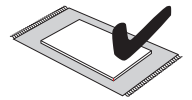
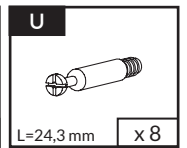
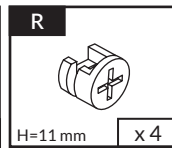
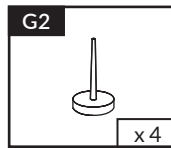
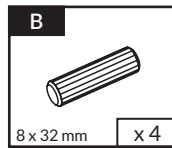
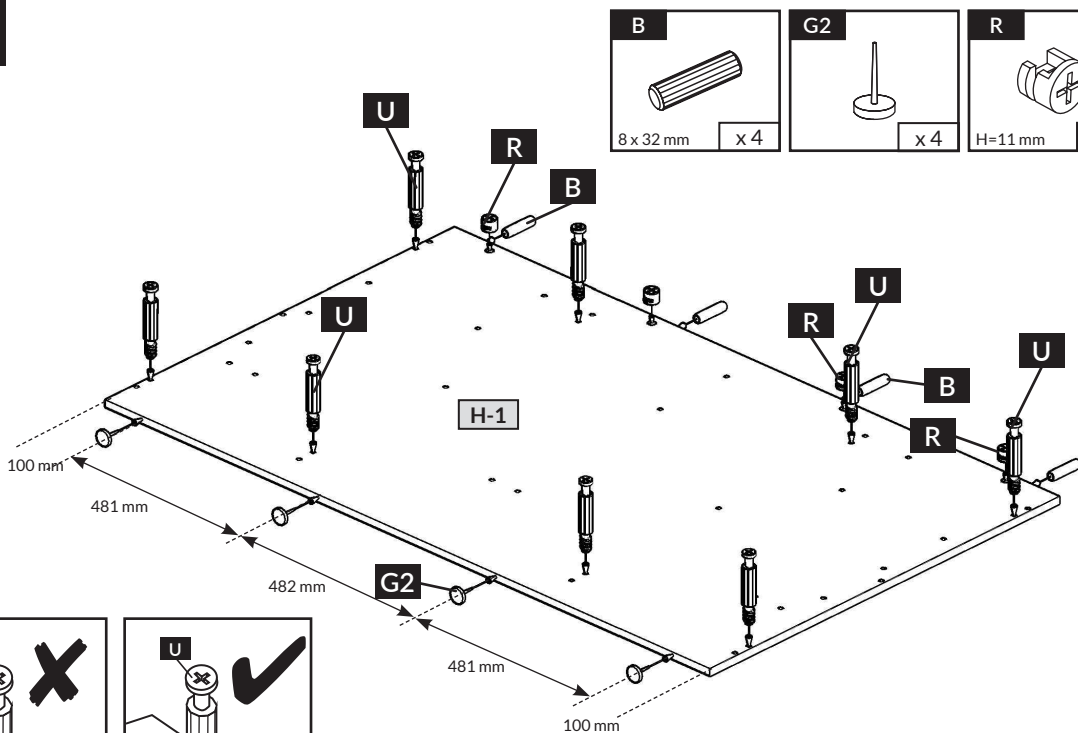
8



9

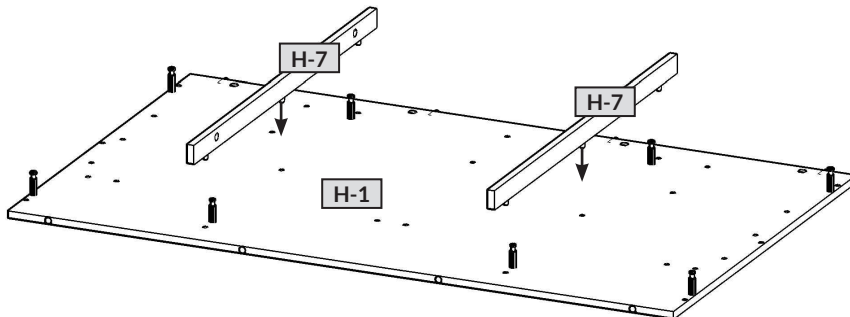
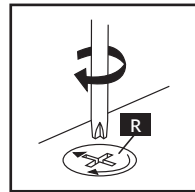
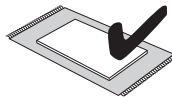


10

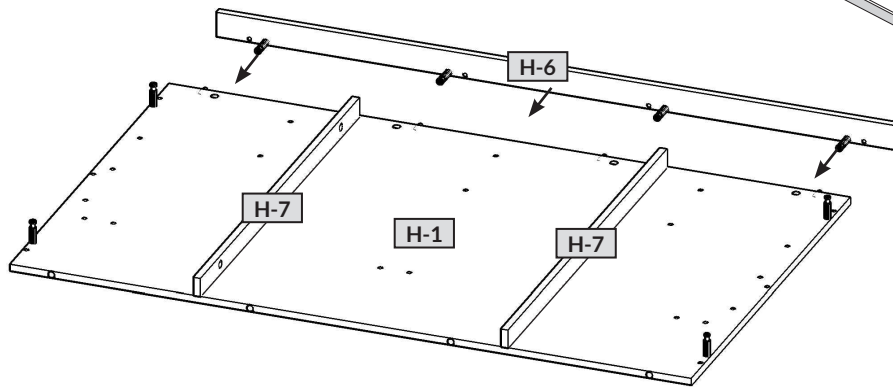
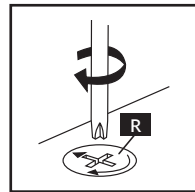
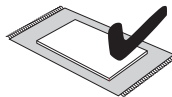




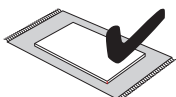
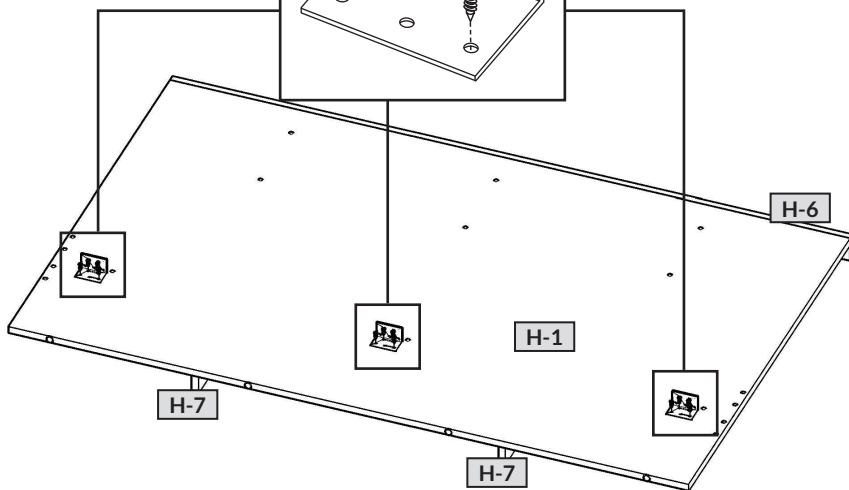
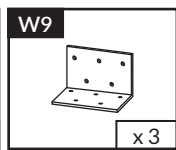
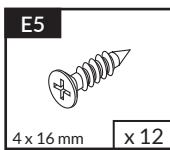
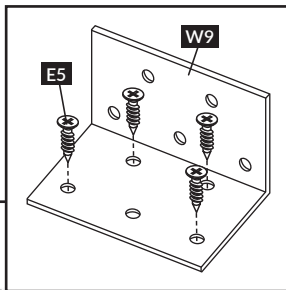
11

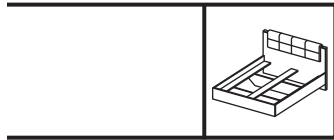


12

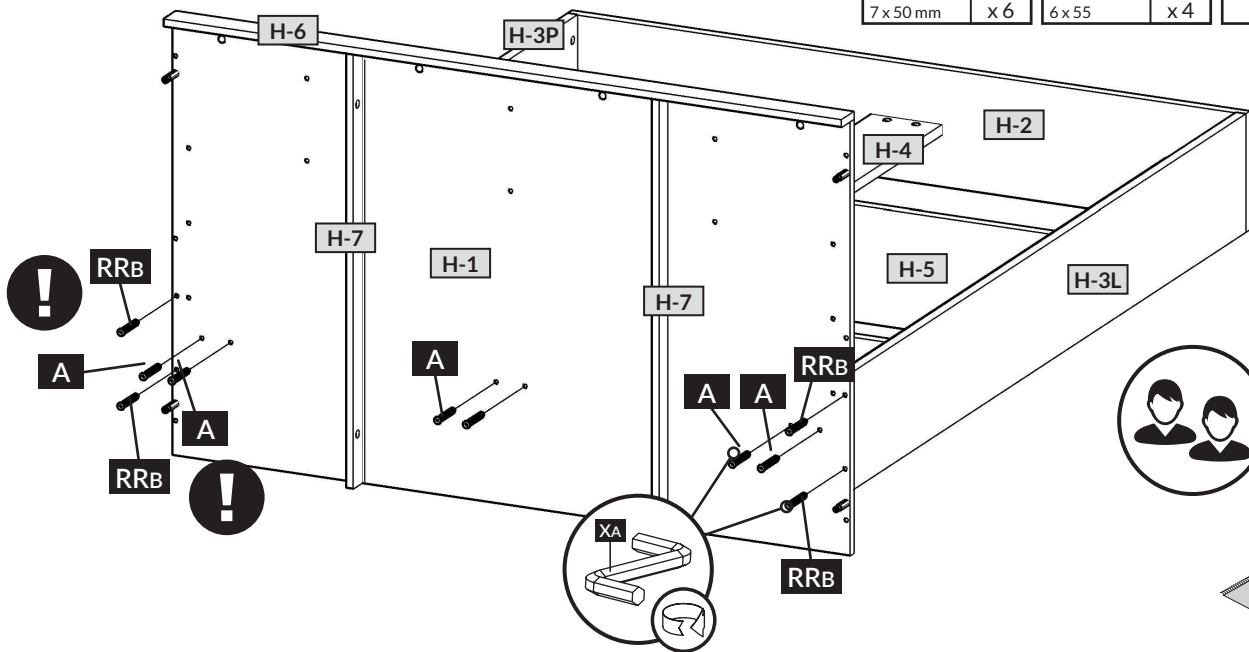
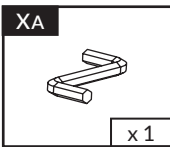
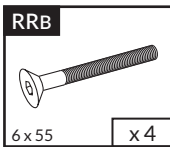
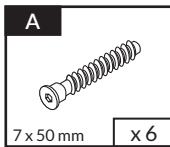


13

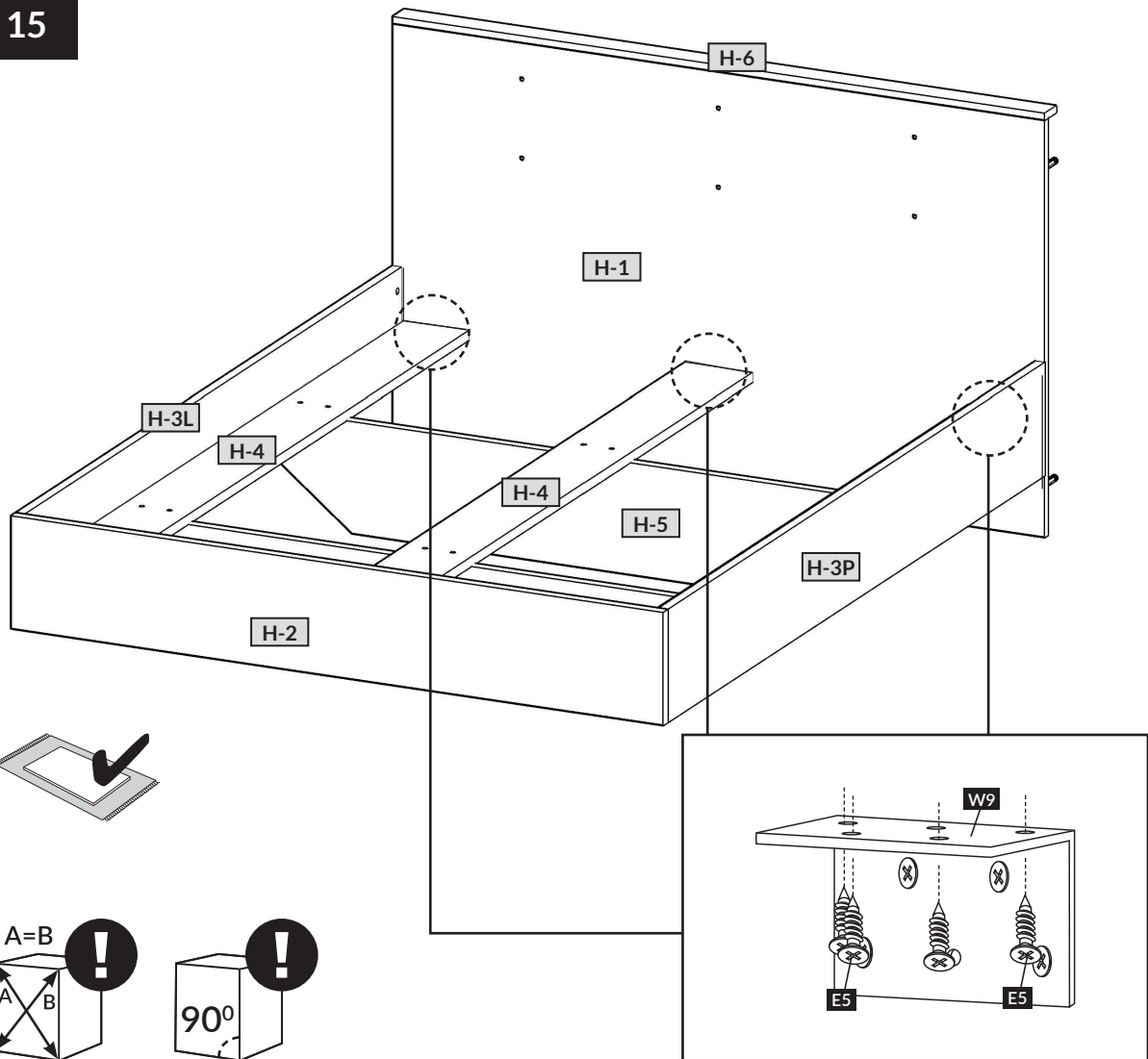
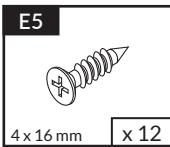


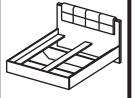


14

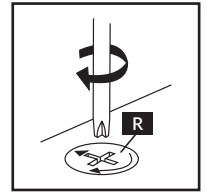
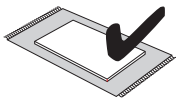
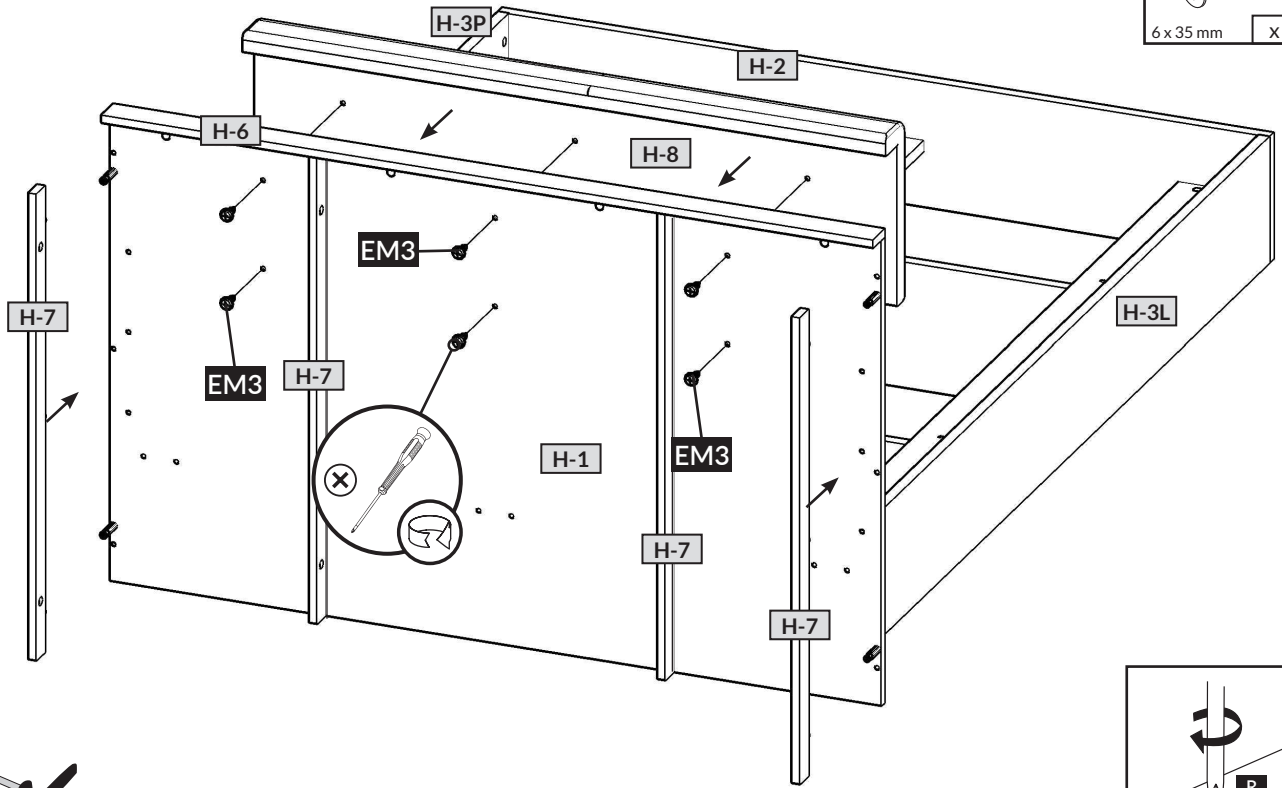
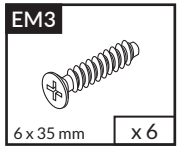


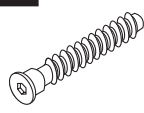
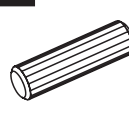

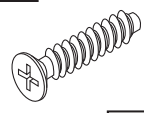

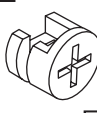
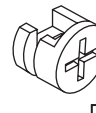
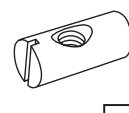
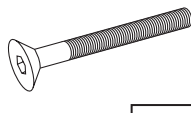
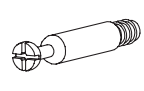
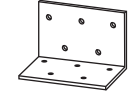
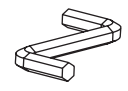
15

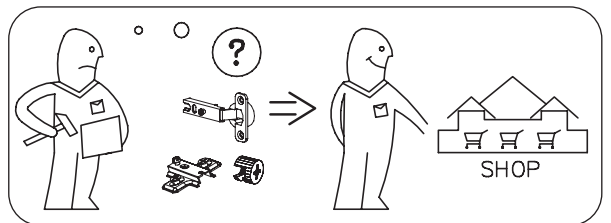
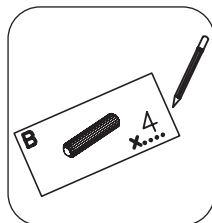




16



<p>A</p>  <p>7 x 50 mm X ...</p>	<p>B</p>  <p>8 x 32 mm X ...</p>	<p>E5</p>  <p>4 x 16 mm X ...</p>
<p>EM3</p>  <p>6 x 35 mm X ...</p>	<p>G2</p>  <p> X ...</p>	<p>R</p>  <p>H=11 mm X ...</p>
<p>R1</p>  <p>H=15 mm X ...</p>	<p>RRA</p>  <p> X ...</p>	<p>RRB</p>  <p>6 x 55 X ...</p>
<p>U</p>  <p>L=24,3 mm X ...</p>	<p>W9</p>  <p> X ...</p>	<p>XA</p>  <p> X ...</p>



nr	↔ [mm]	↓ [mm]	↗ [mm]	Menge	Colli
H-1	1644	1000	16	x 1	1/2
H-2	1644	270	22	x 1	1/2
H-3L	2000	270	22	x 1	2/2
H-3P	2000	270	22	x 1	2/2
H-4	2000	170	15	x 3	2/2
H-5	1600	268	16	x 2	1/2
H-6	1644	60	16	x 1	2/2
H-7	1000	44	16	x 4	2/2
H-8	1370	310	90	x 1	2/2

