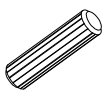
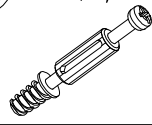
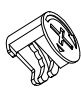
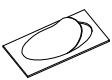
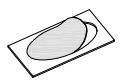
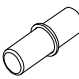




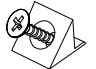

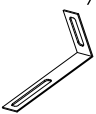




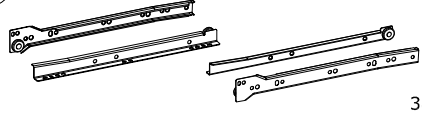

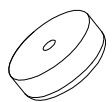

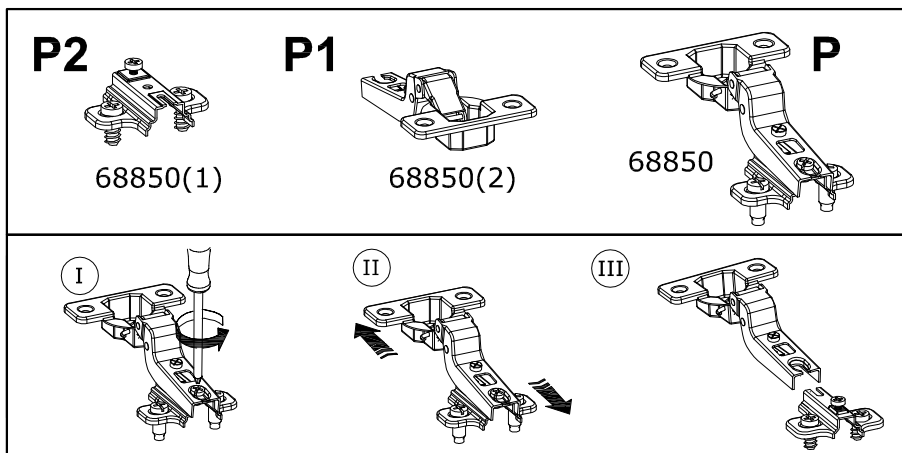
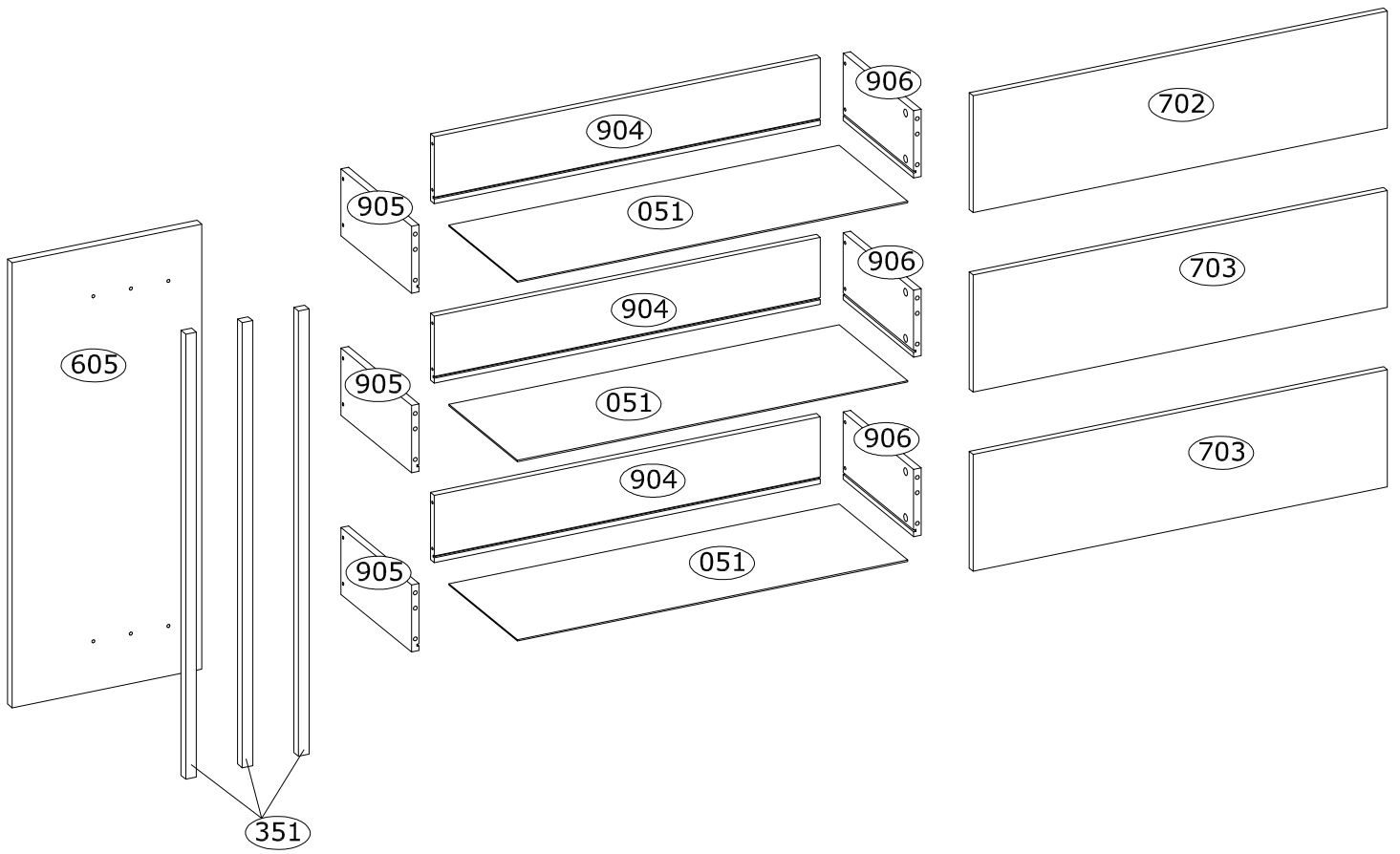
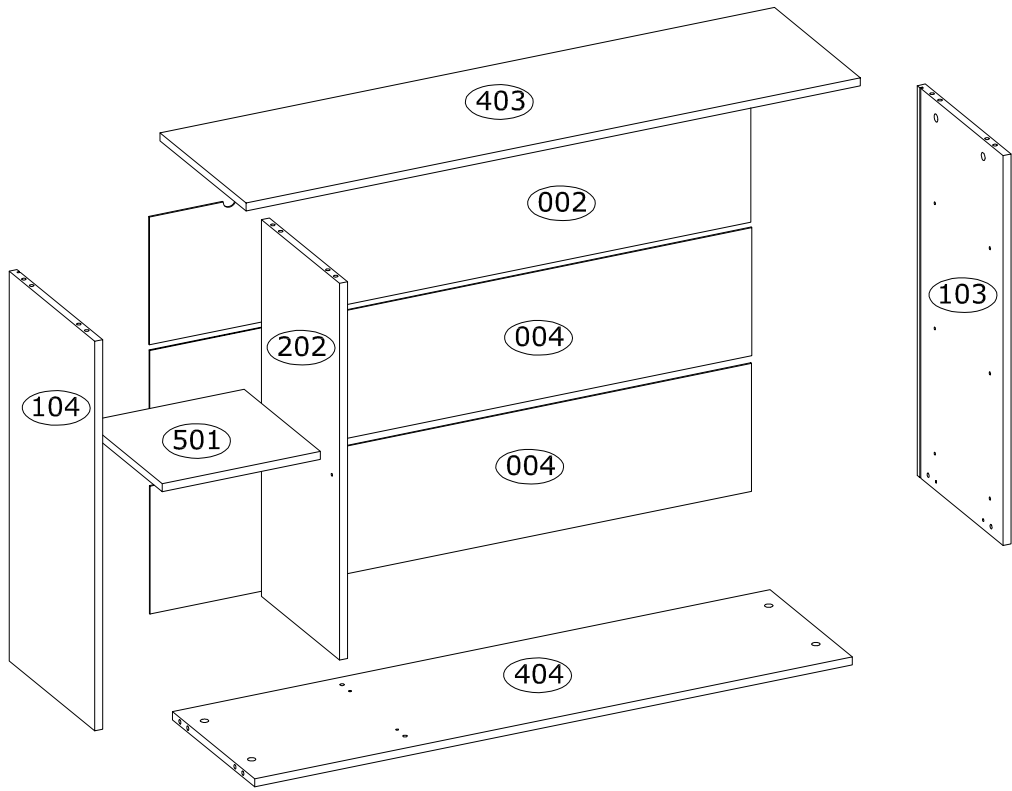




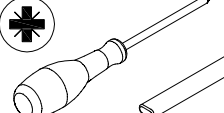
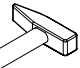


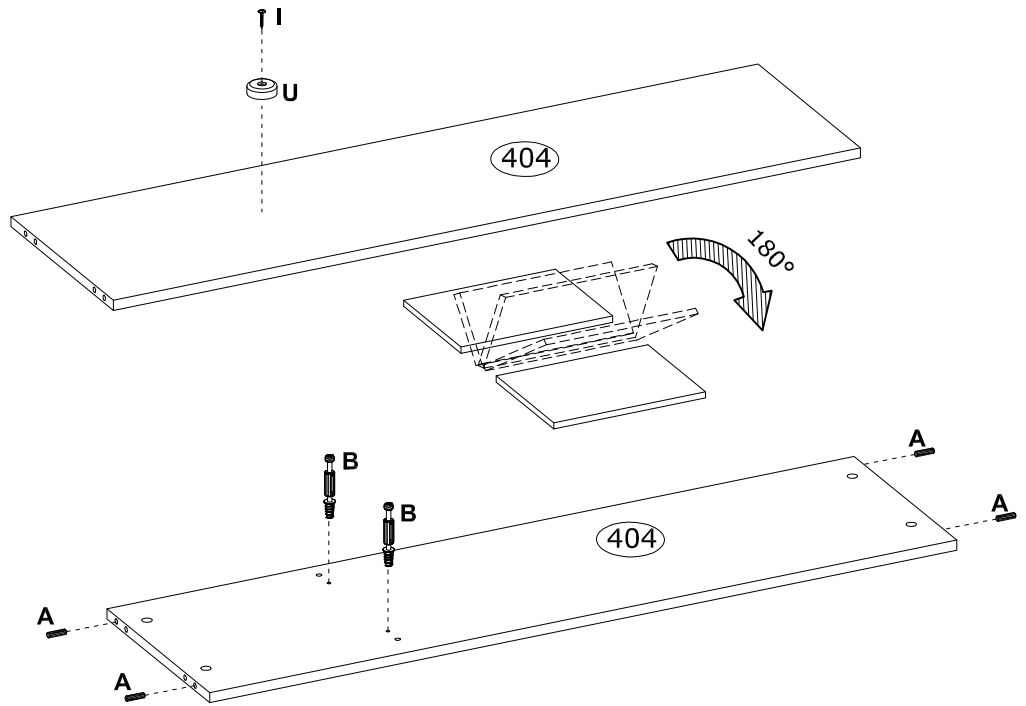
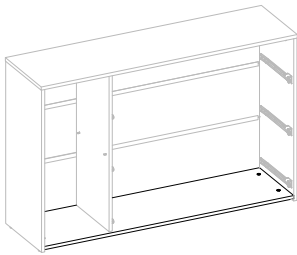
<b>A</b> Ø8x30 mm  x18 3989	<b>B</b> Ø6,5x36,5 mm  x24 4066	<b>C</b> Ø15x12 mm  x24 3996	<b>D</b> Ø20 mm  x8 136239	<b>E</b> Ø20 mm  x14 136239
<b>F</b> Ø5x16 mm  x4 4017	<b>G</b> Ø3,5x16 mm  x32 3918	<b>H</b> 6,0x13 mm  x12 3877	<b>I</b> Ø4,0x25 mm  x1 3892	<b>J</b> Ø4,0x25 mm  x6 145556
<b>K</b> 15x14x11 mm  x10 4044	<b>L</b> Ø12x42 mm  x12 IN01157	<b>M</b> 75x15x32 mm  x2 71900	<b>N</b> 1,2X20 mm  x20 3975	<b>O</b>  x4 70313
<b>P</b> Ø35 mm , KR15  x2 68850	<b>R</b> 27X34 L-120mm  x3 209928	<b>S</b> L- 300 mm  x3 3802	<b>T</b> L- 282 mm  x3 00000	
<b>U</b> 44x15  x1 71141	<b>W</b> L- 1212 mm  x2 IN00378			



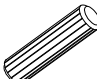


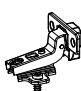
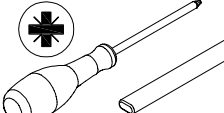
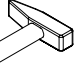


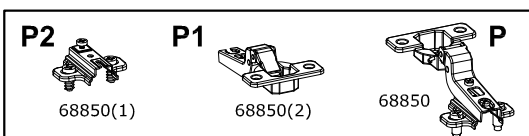
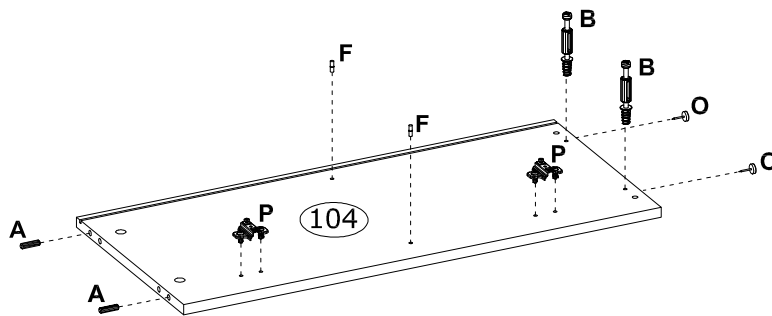
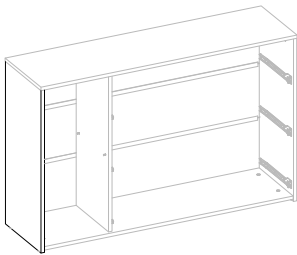
1

<b>A</b>	Ø8x30 mm	<b>B</b>	Ø6,5x36,5 mm	<b>U</b>	44x15	<b>I</b>	Ø4,0x25 mm		
	x4 3989		x2 4066		x1 71141		x1 3892		

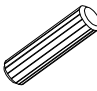
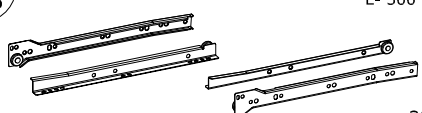

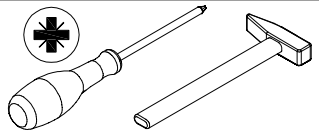
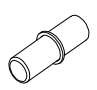


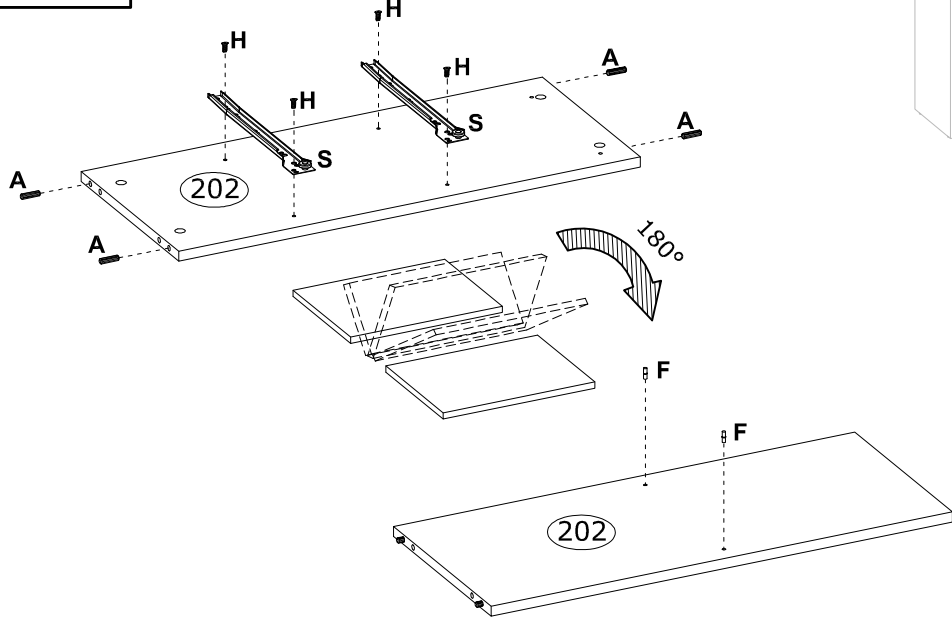
2

<b>A</b>	Ø8x30 mm	<b>F</b>	Ø5x16 mm	<b>O</b>		<b>P</b>	Ø35 mm , KR15		
	x4 3989		x2 4017		x2 70313		x2 68850		

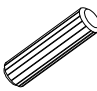
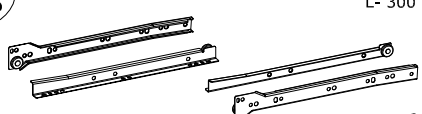

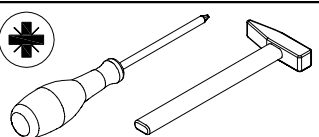



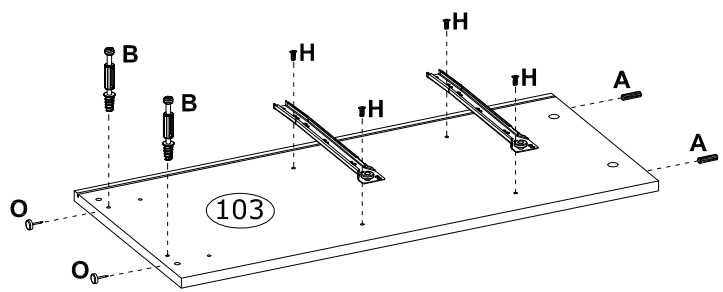
3

<b>A</b> Ø8x30 mm  x4 3989	<b>S</b> L- 300 mm  x2 3802	<b>H</b> 6,0x13 mm  x4 3877	
<b>F</b> Ø5x16 mm  x2 4017			



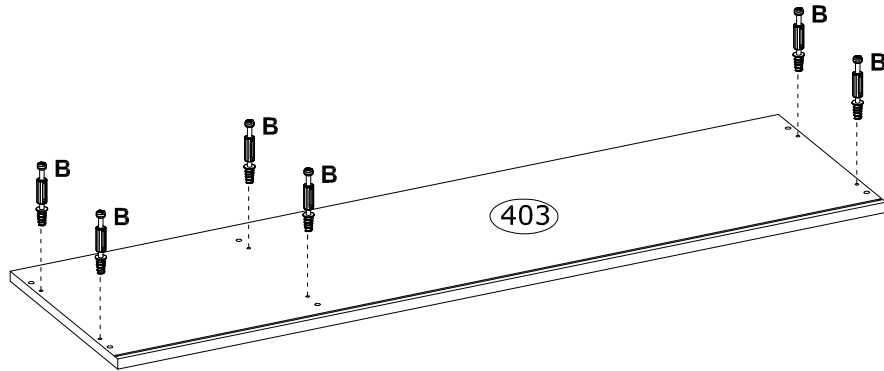
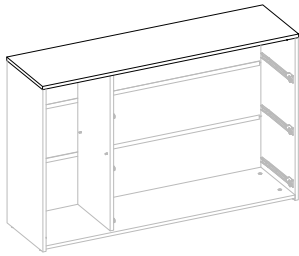
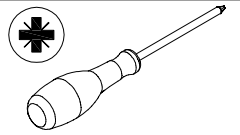
4

<b>A</b> Ø8x30 mm  x4 3989	<b>S</b> L- 300 mm  x2 3802	<b>H</b> 6,0x13 mm  x4 3877	
<b>O</b>  x2 70313			



5

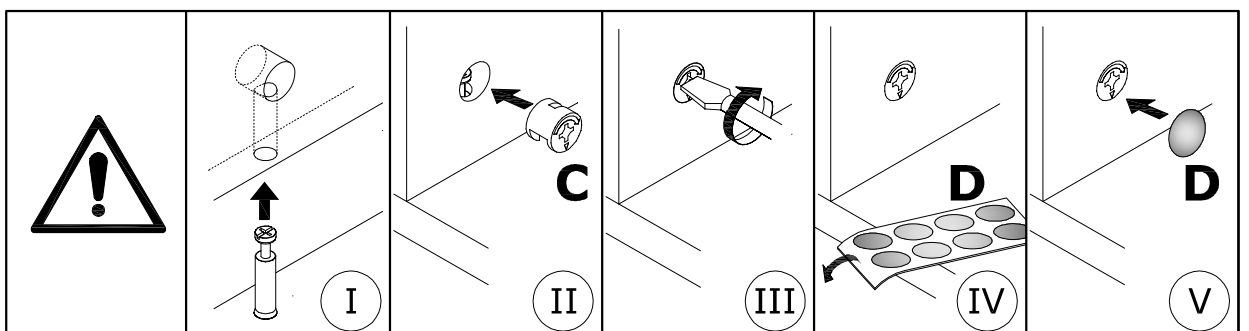
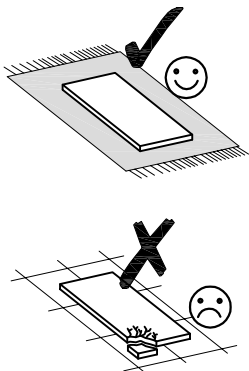
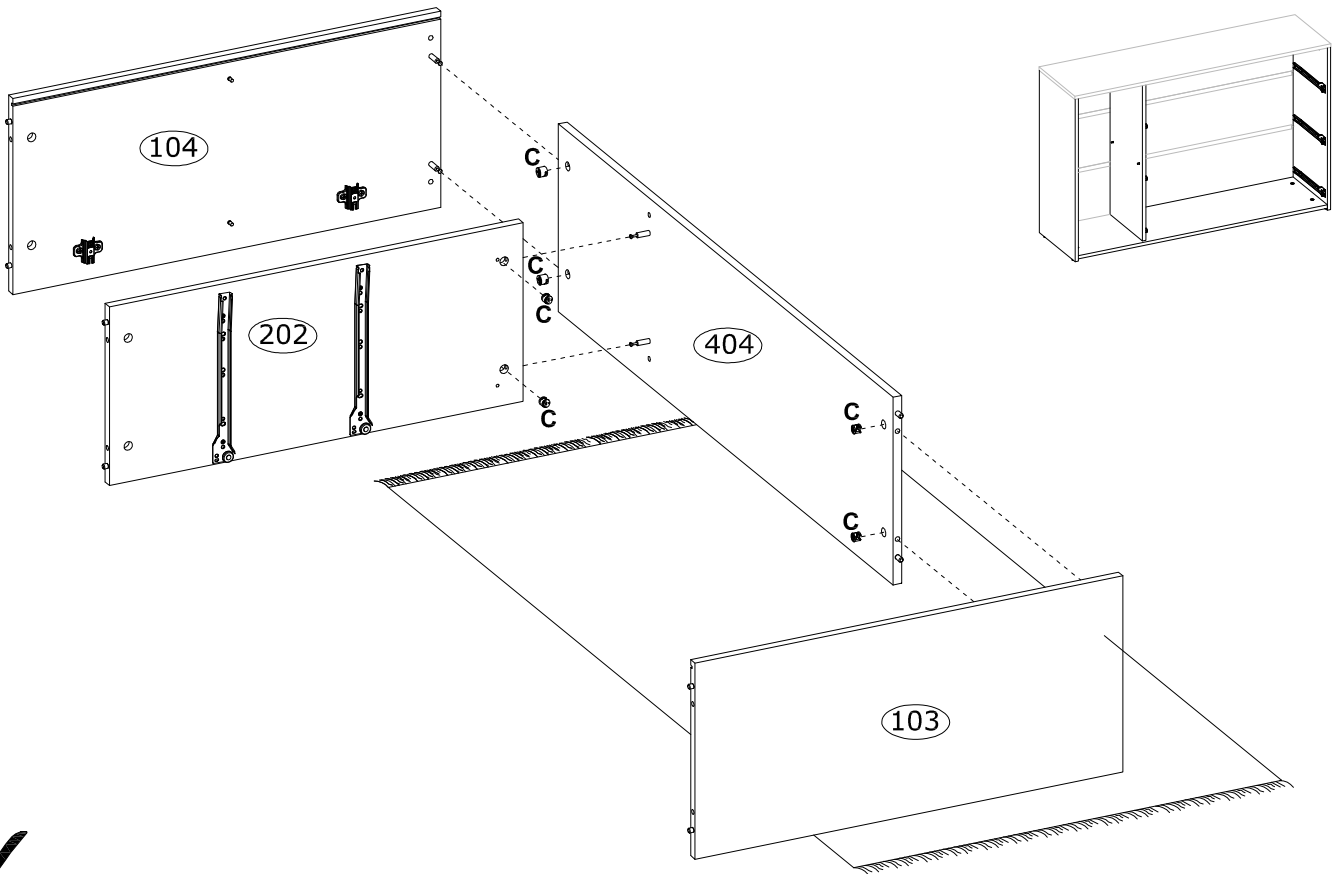
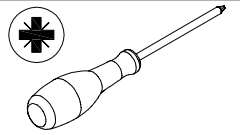
**B** Ø6,5x36,5 mm  
x6  
4066




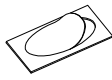
6

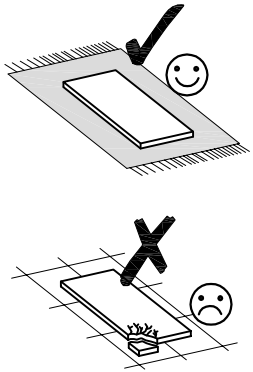
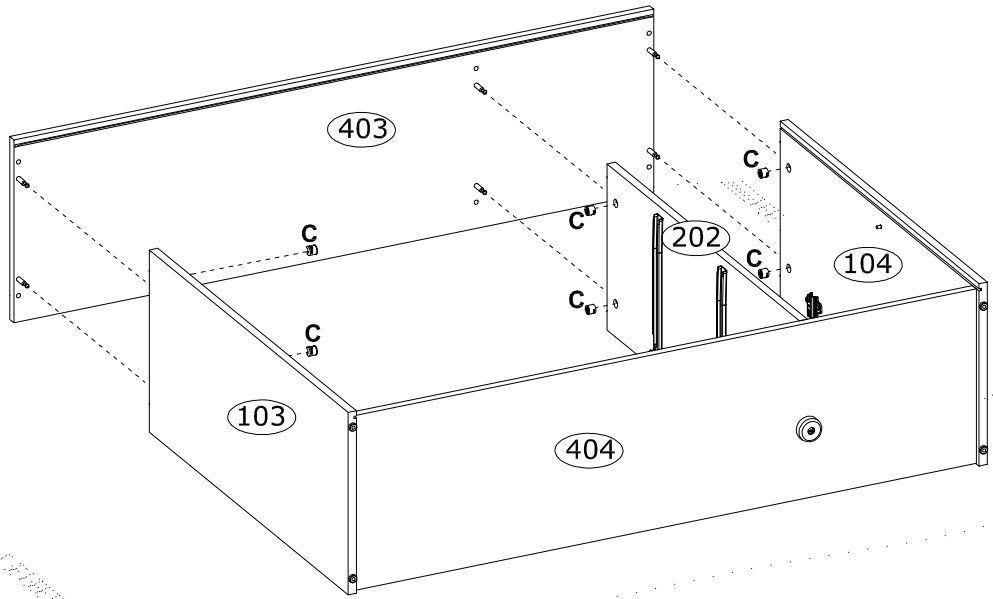
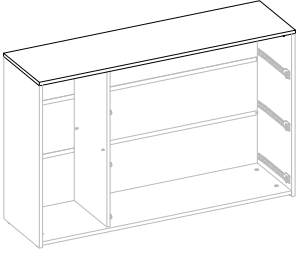
**C** Ø15x12 mm  
x6  
3996

**D** Ø20 mm  
x8  
136239



7

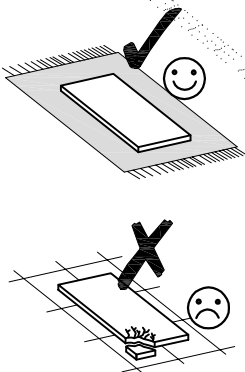
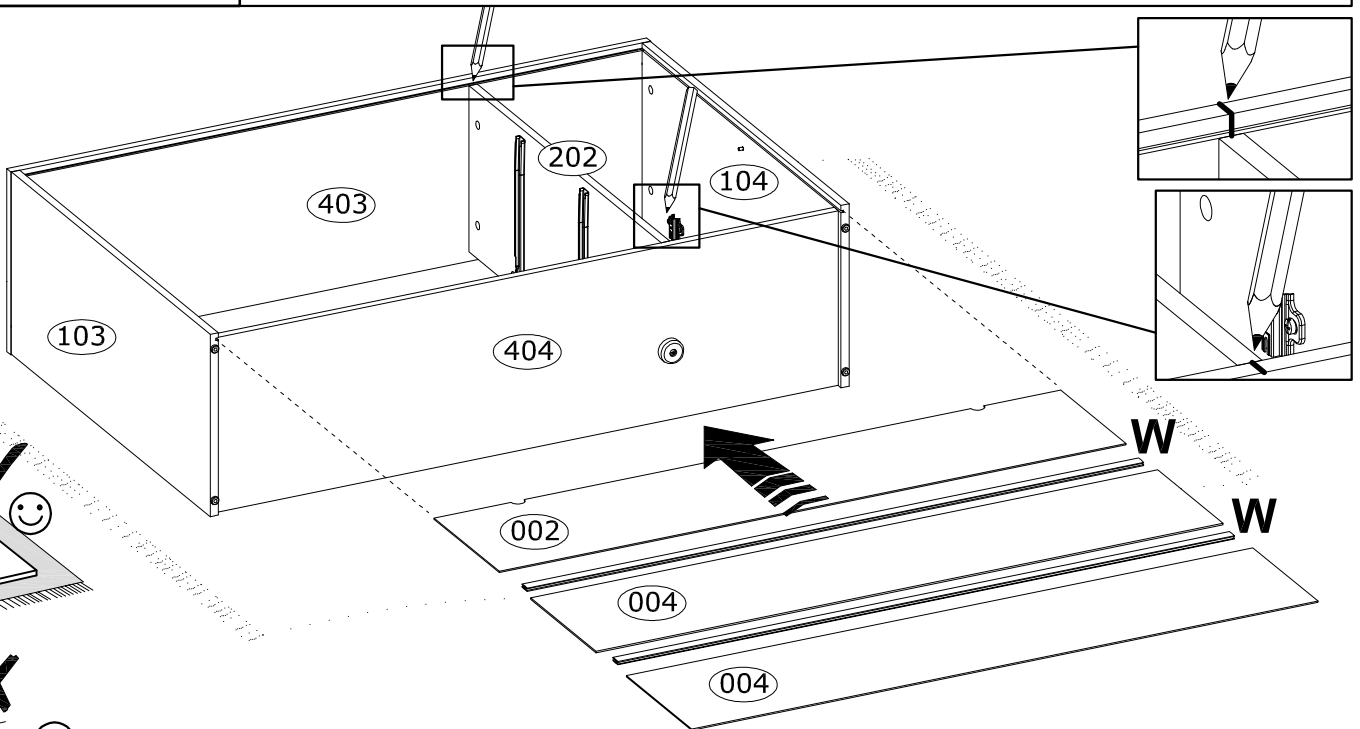
<p><b>C</b></p> <p>Ø15x12 mm</p>  <p>x6 3996</p>	<p><b>D</b></p> <p>Ø20 mm</p>  <p>x8 136239</p>	
---	--	--



	<p>I</p>	<p>II</p>	<p>III</p>	<p>IV</p>	<p>V</p>
--	----------	-----------	------------	-----------	----------


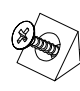
8

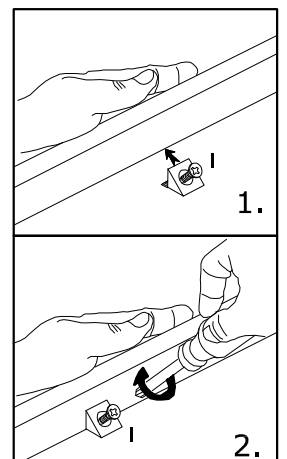
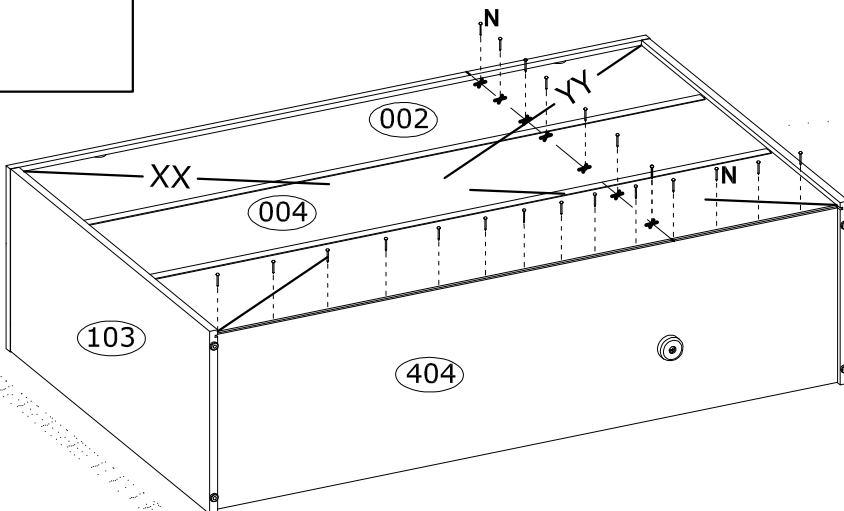
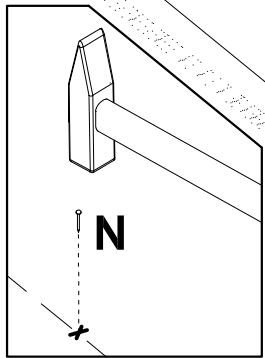
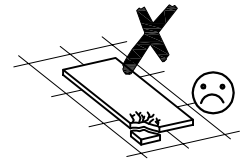
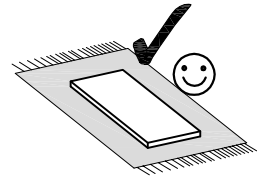
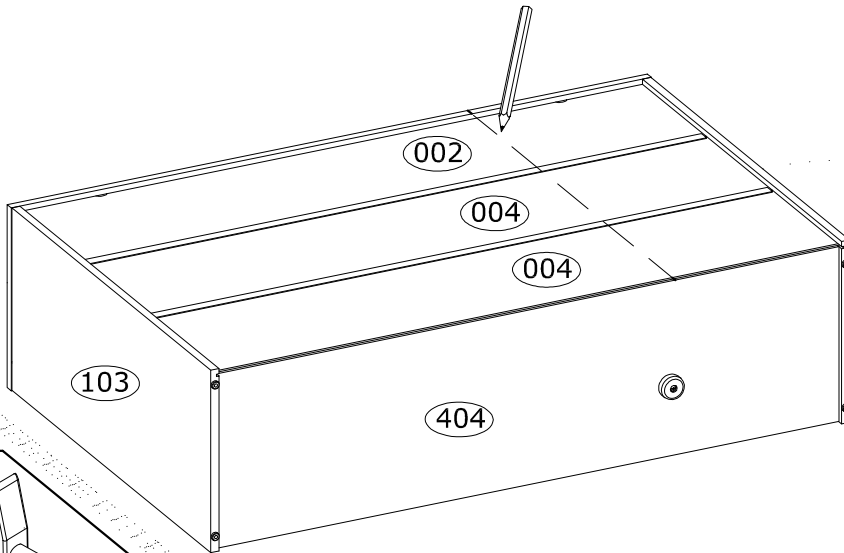
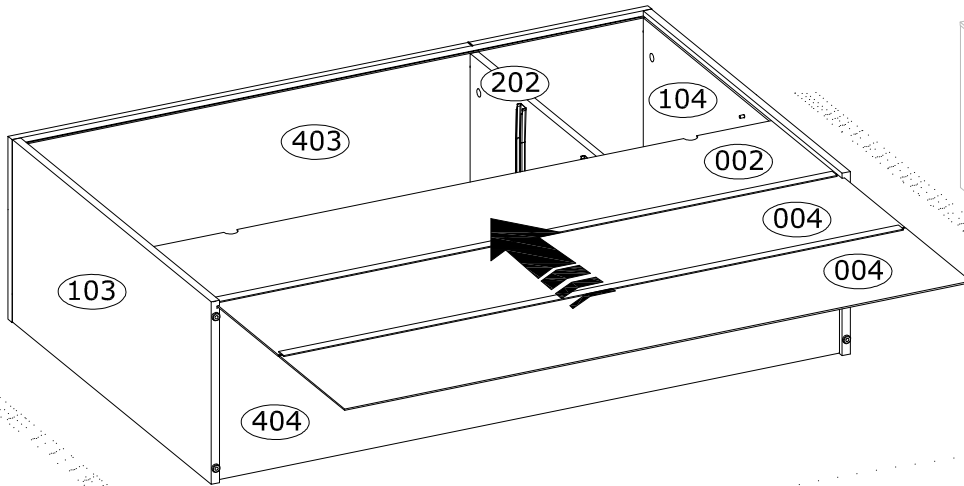
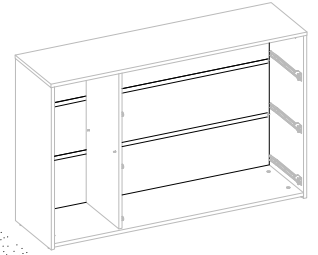
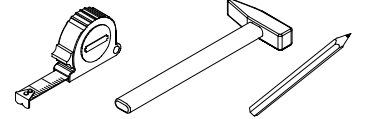
<p><b>W</b></p> <p>L- 1212 mm</p>  <p>x2 IN00378</p>	
---	---



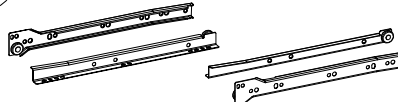

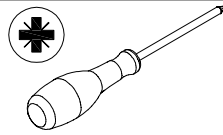


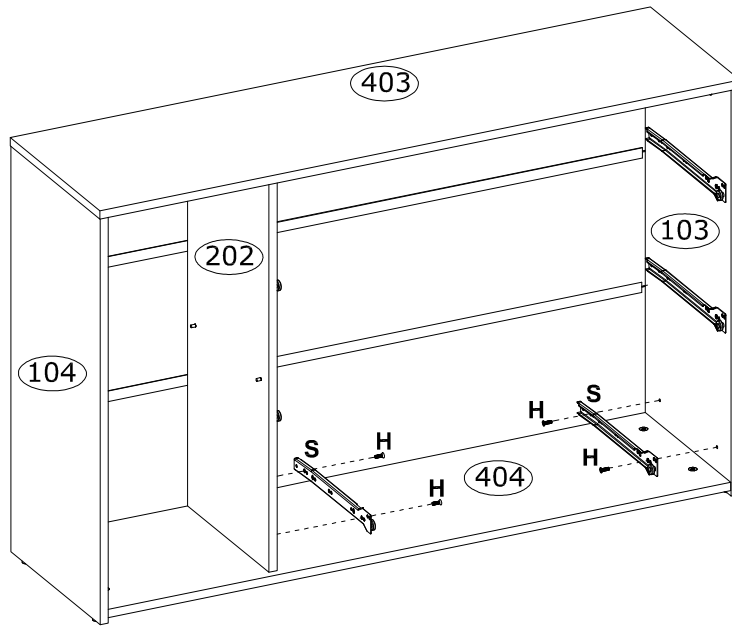
9

<b>N</b>	1,2X20 mm	<b>K</b>	15x14x11 mm
	x20 3975		x10 4044

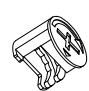
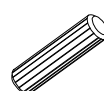
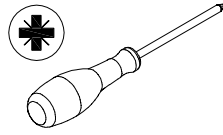


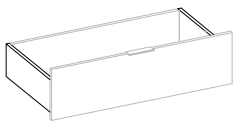
10

<b>S</b>  L- 300 mm x1 3802	<b>H</b>  6,0x13 mm x4 3877	
---	--	--

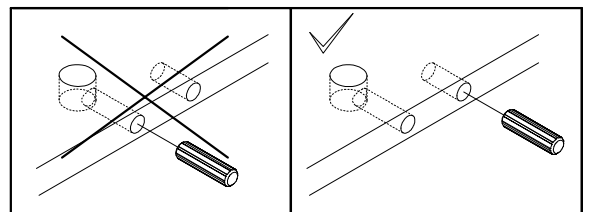
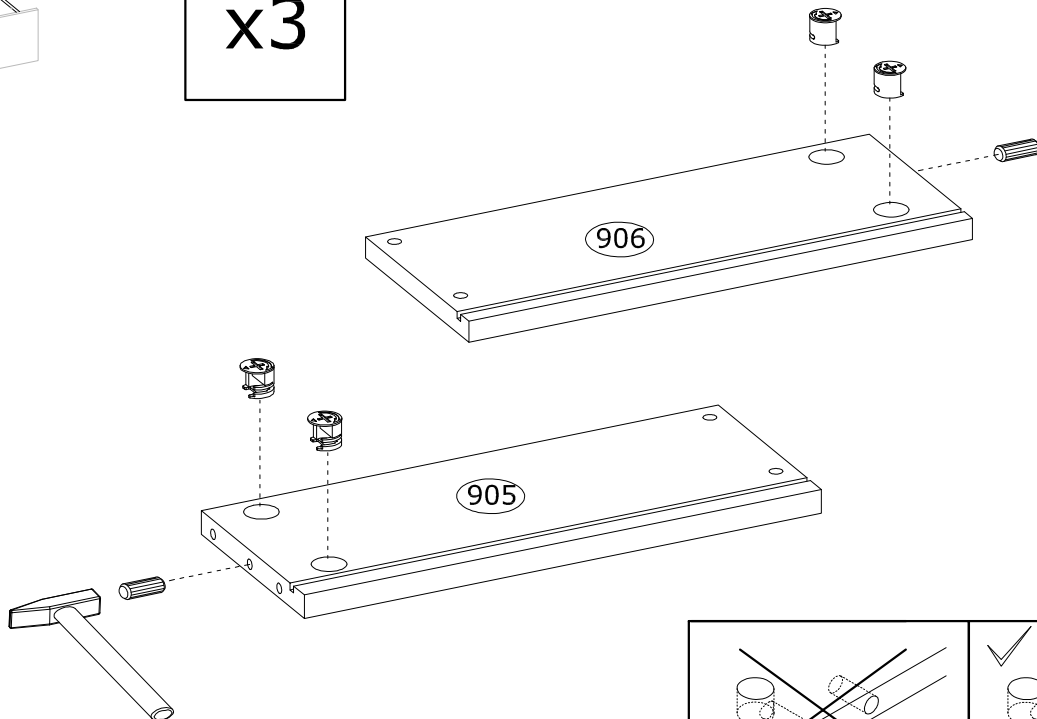


11

<b>C</b>  Ø15x12 mm x12 3996	<b>A</b>  Ø8x30 mm x4 3989	
---	---	---

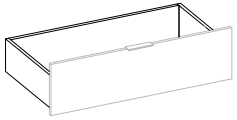


x3

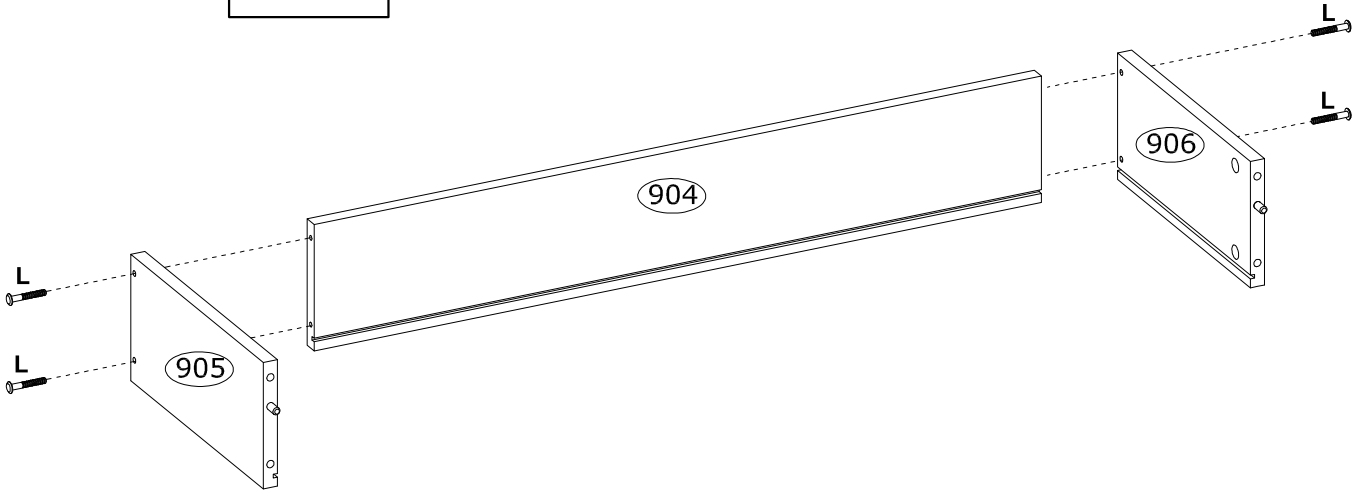


12

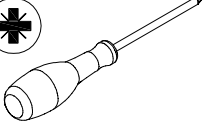



<b>L</b>	$\varnothing 12 \times 42$ mm		
	<b>x12</b> IN01157		

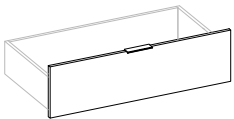


x3

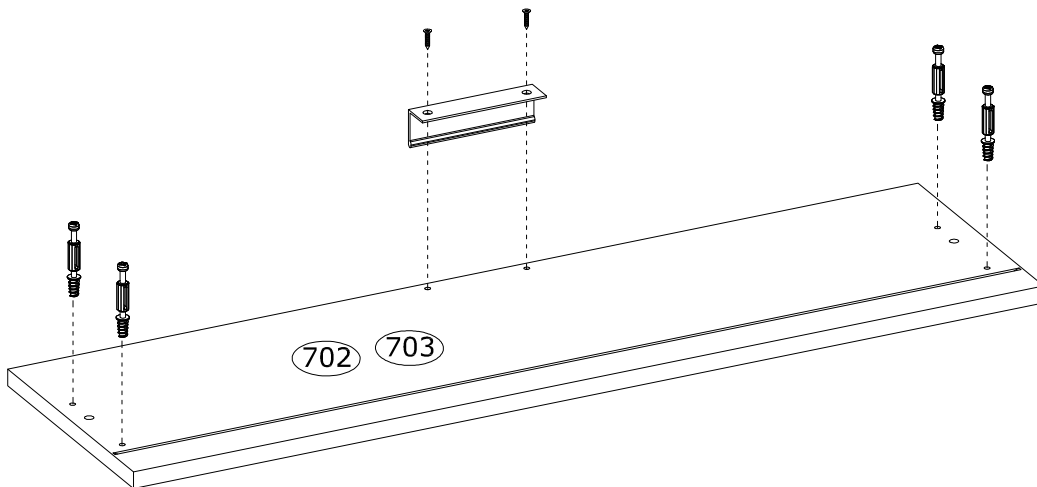


13

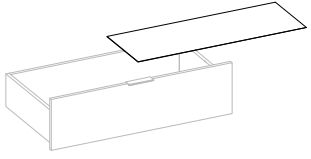
<b>B</b>	$\varnothing 6,5 \times 36,5$ mm	<b>R</b>	27X34 L-120mm	<b>G</b>	$\varnothing 3,5 \times 16$ mm		
	<b>x12</b> 4066		<b>x3</b> 209928		<b>x6</b> 3918		



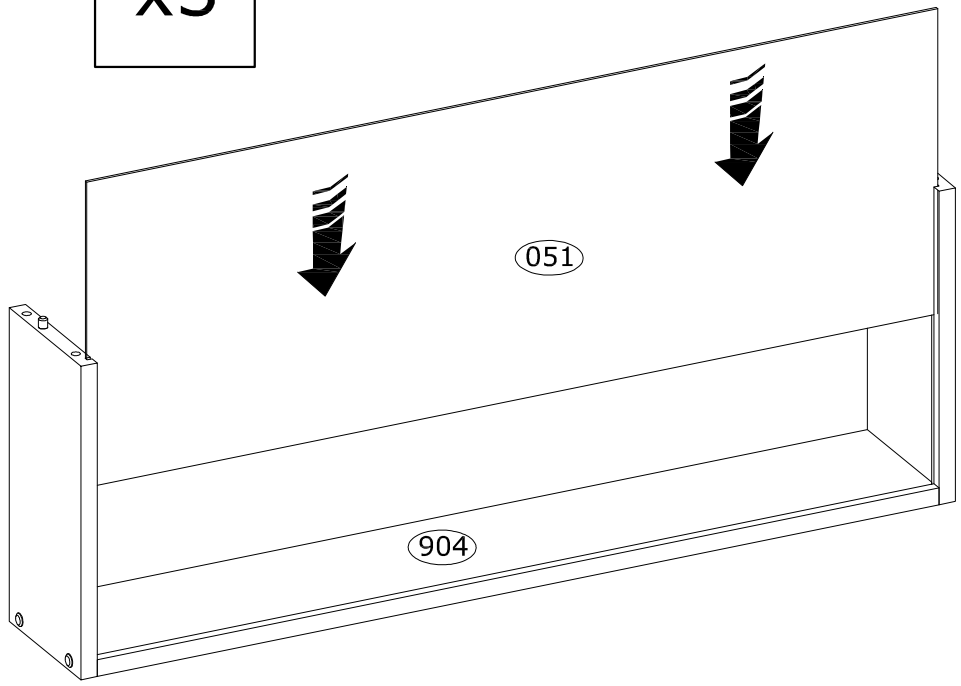
x3



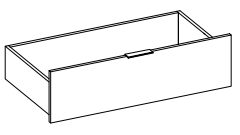
14



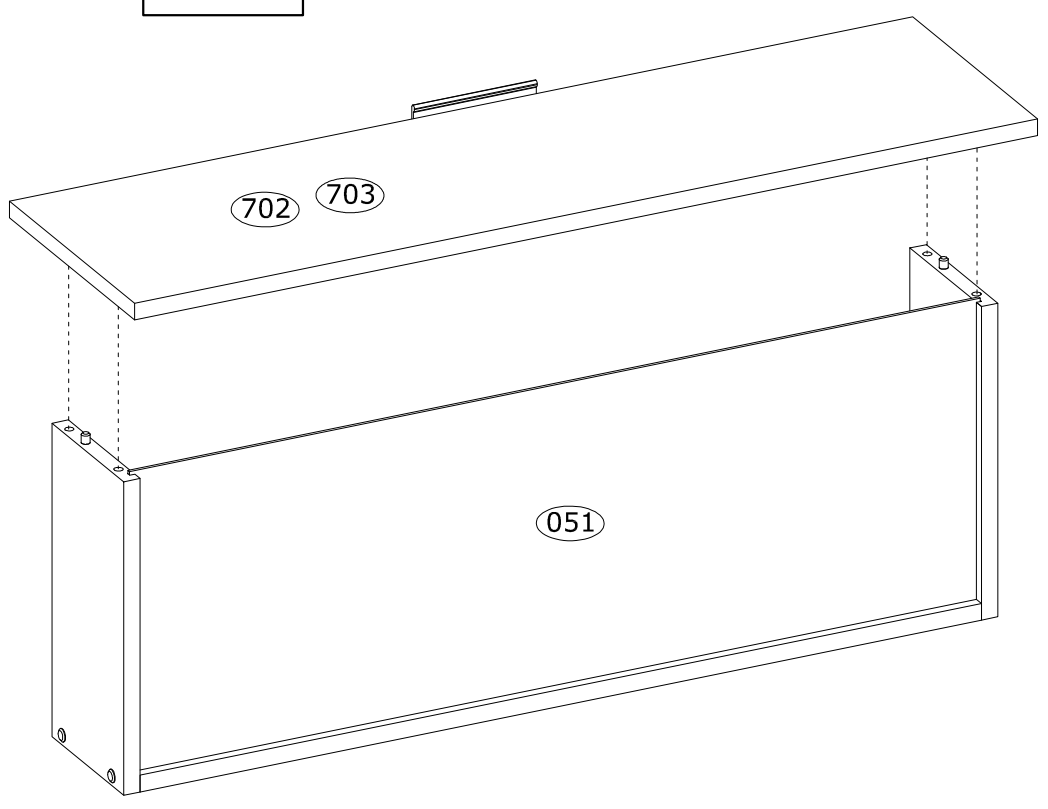
x3



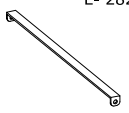

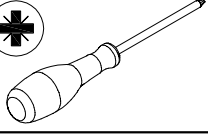
15

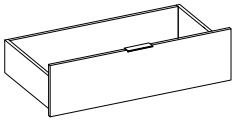


x3

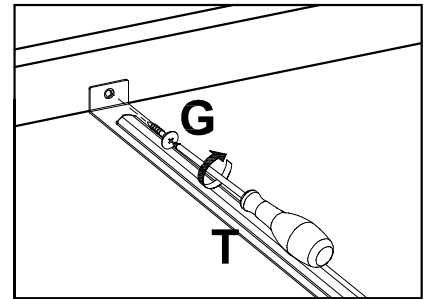
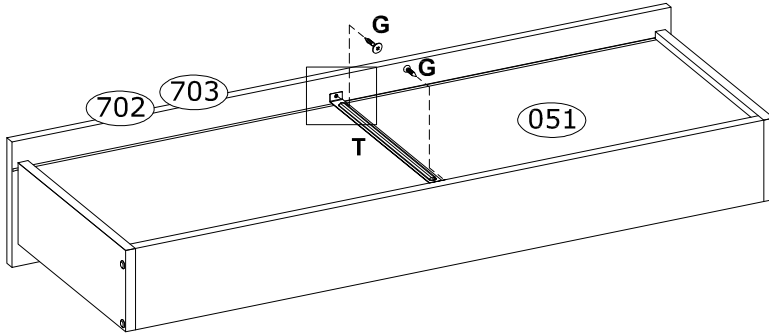


16

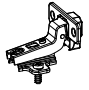

<b>T</b> L- 282 mm  x3 00000	<b>G</b> Ø3,5x16 mm  x6 3918	
--	---	--

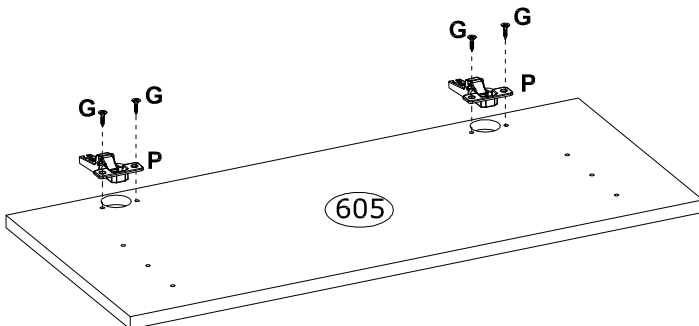
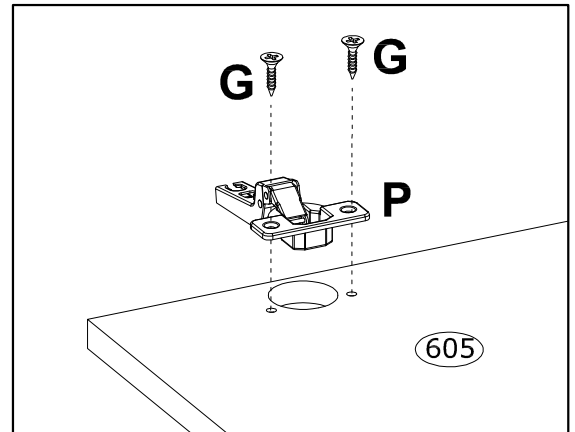


x3




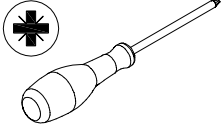
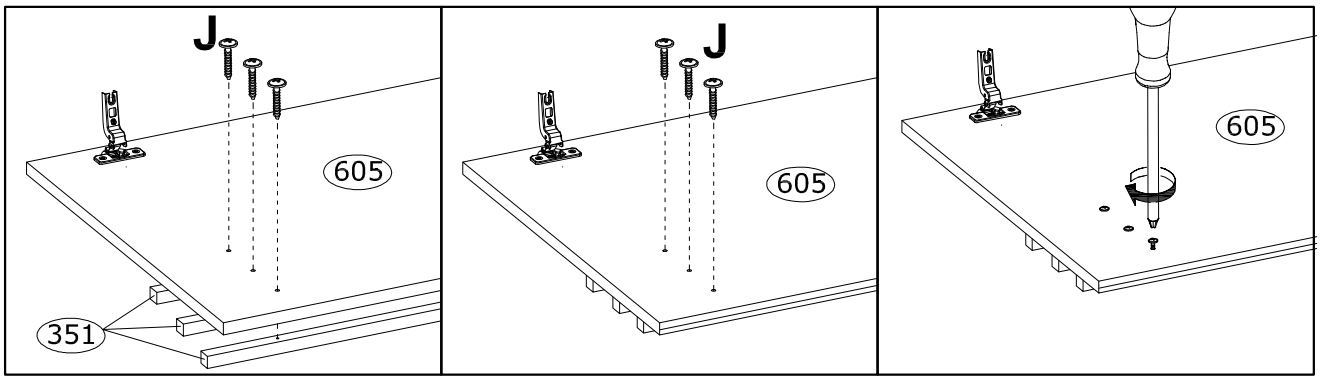
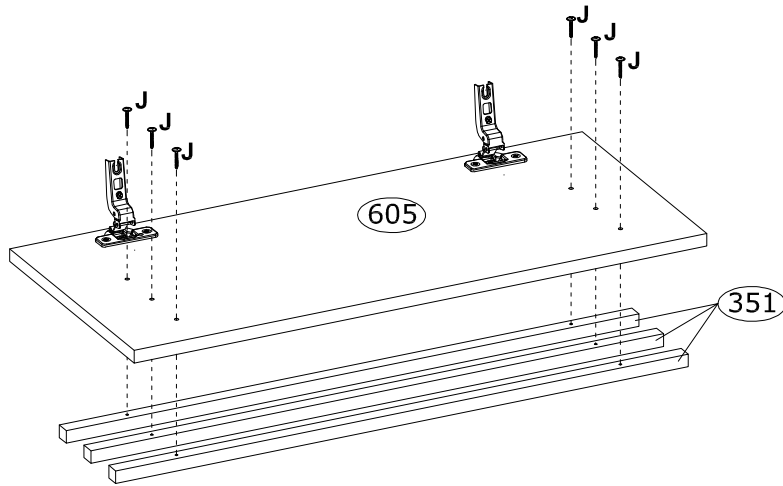
17

<b>P</b> Ø35 mm , KR15  x2 68850	<b>G</b> Ø3,5x16 mm  x4 3918	
---	---	---



18

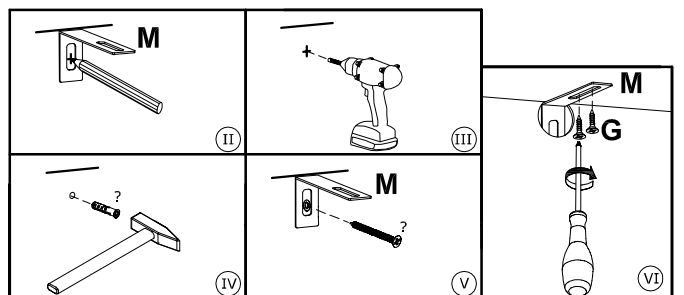
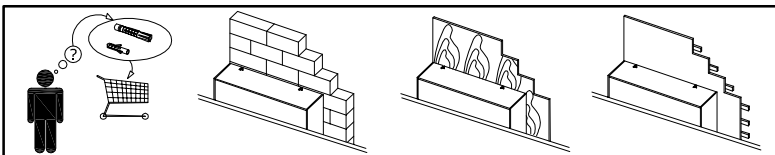
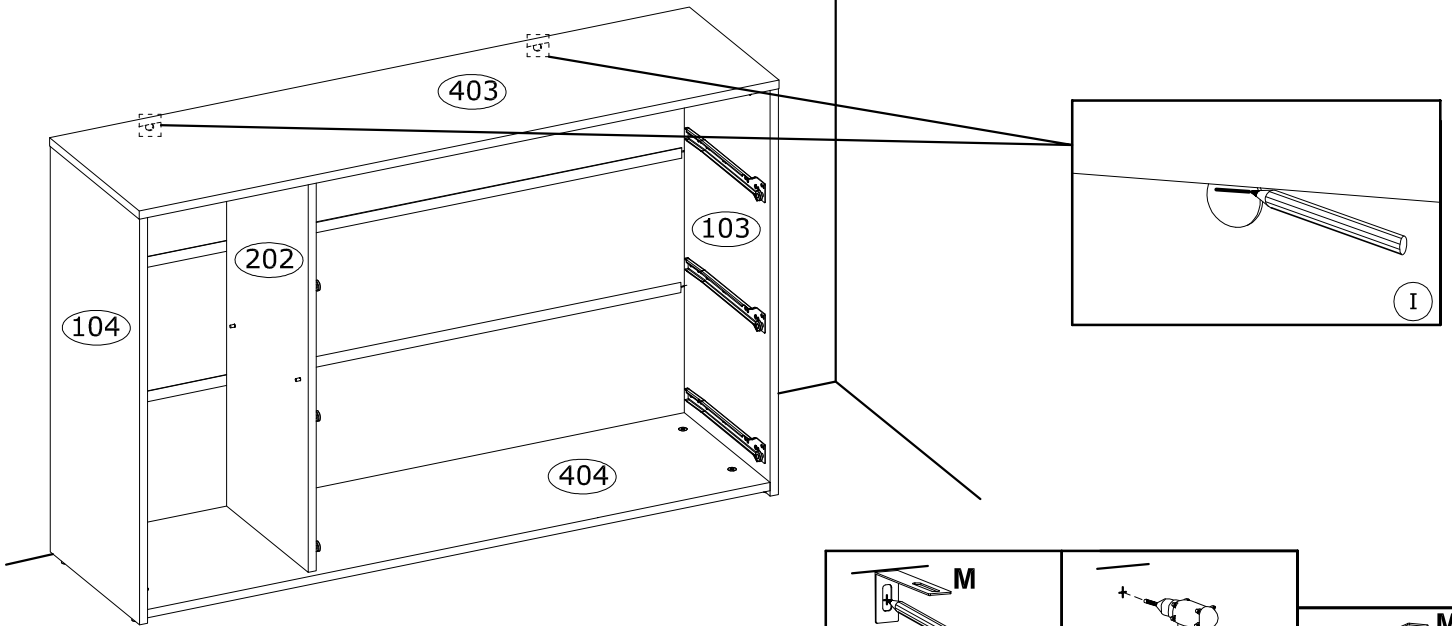
**J**  $\varnothing 4,0 \times 25$  mm  
 x6  
 145556

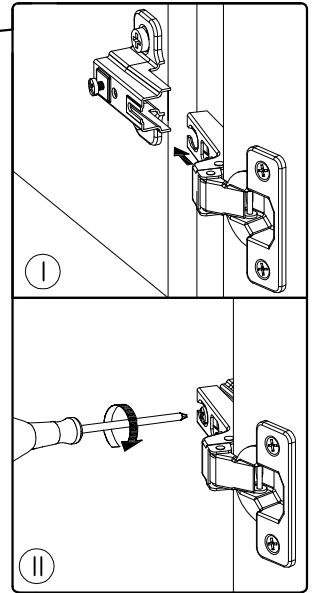
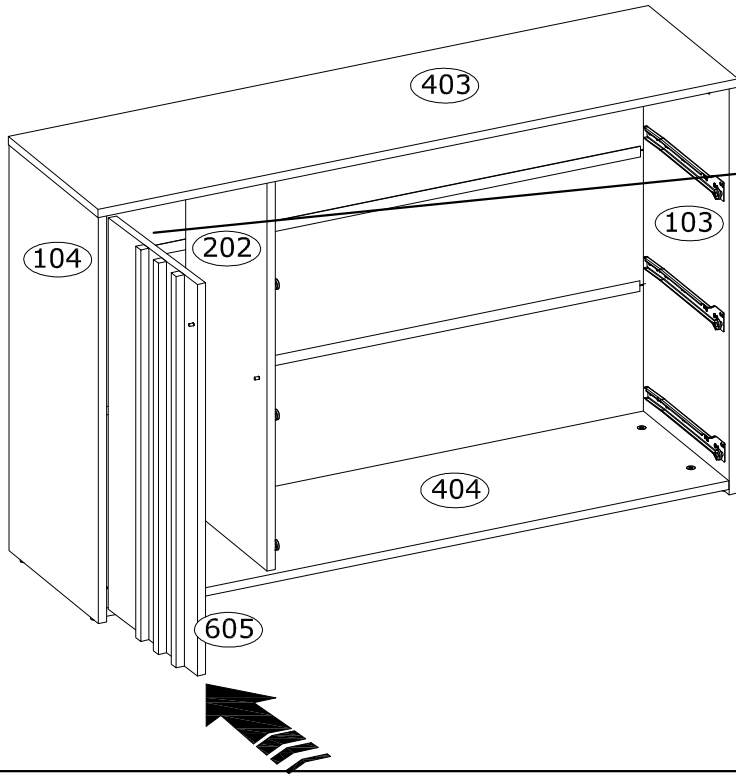
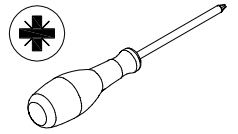
19

**M** 75x15x32 mm x2 71900  
**G**  $\varnothing 3,5 \times 16$  mm x4 3918



20



21

