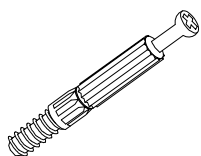


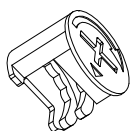
x 2

4066 x16



Ø6,5x36,5 mm

3996 x16



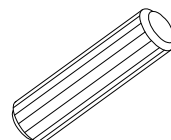
Ø15x12 mm

136236 x16



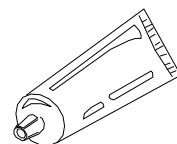
Ø15 mm

3989 x32



Ø8x30 mm

3983 x2



10 g

3877 x16



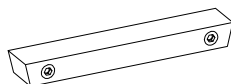
Ø6,0x13 mm

3918 x16



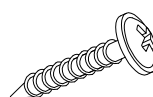
Ø3,5x16 mm

59150 x4



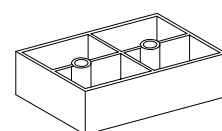
120x12x20 mm

3892 x16



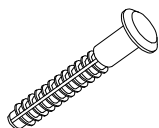
Ø4,0x25 mm

IN00445 x8



60x40x20 mm

IN01157 x16



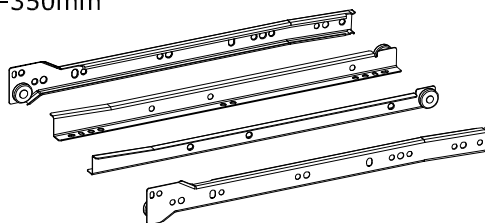
Ø12x42 mm

3902 x8



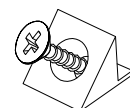
M4,0x25,0 mm

L-350mm x4



3804

4044 x8



15x14x11 mm

1.

4066



x8

IN00445

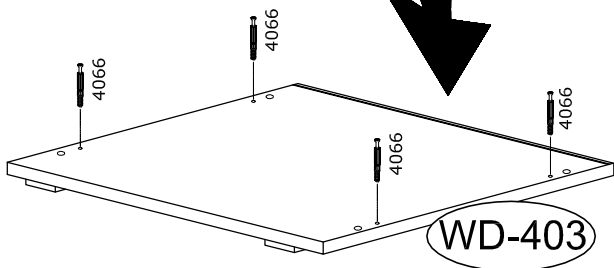
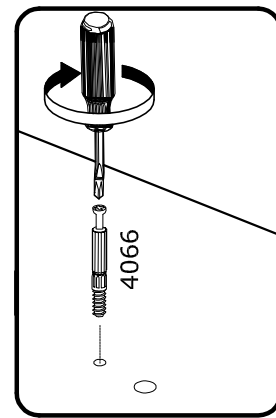
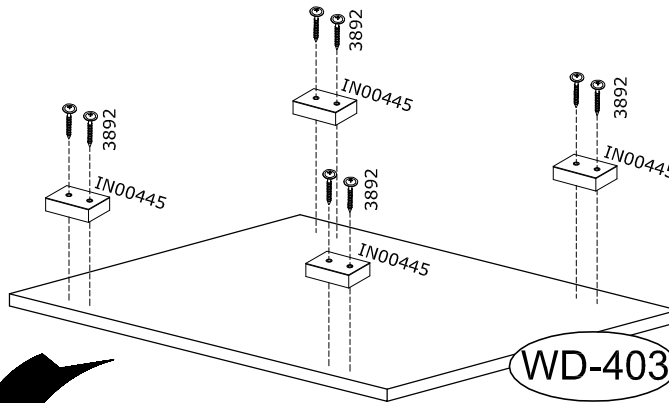
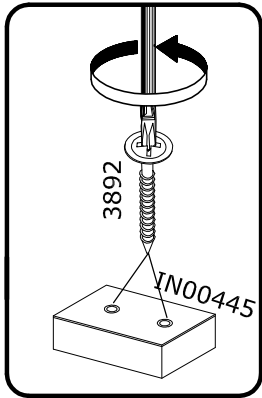


x8

3892



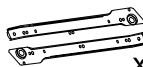
x16



x2

2.

3804



x4

3989



x8

3996



x8

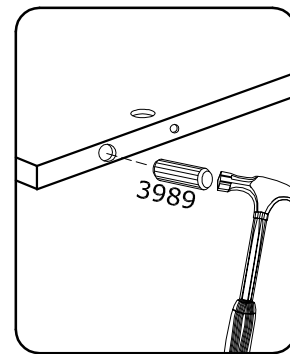
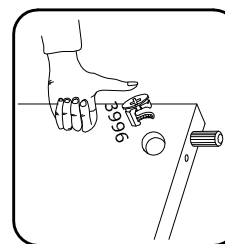
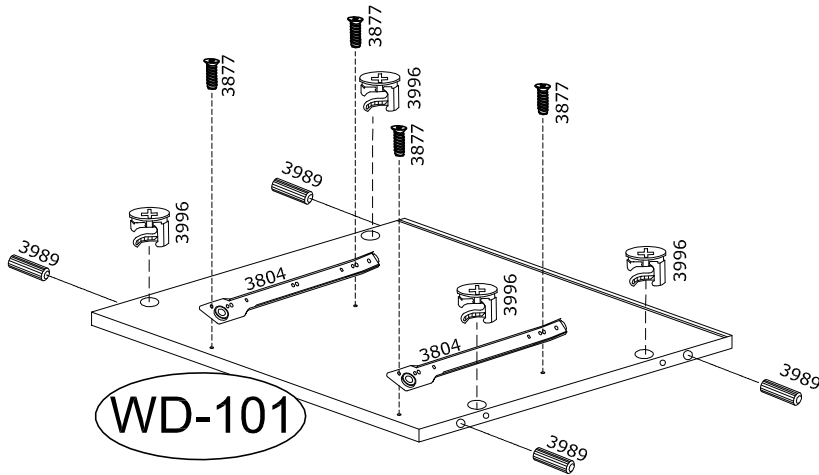
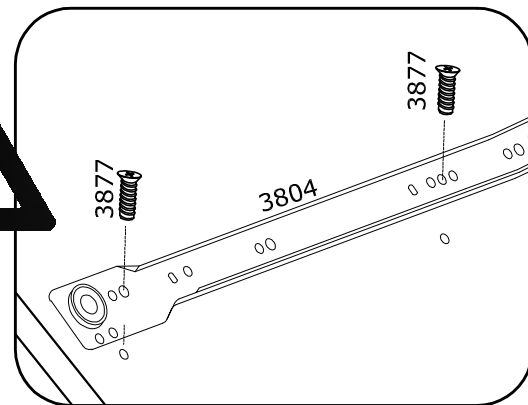
3877



x8

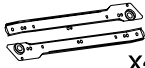


x2



3.

3804



x4

3989



x8

3996



x8

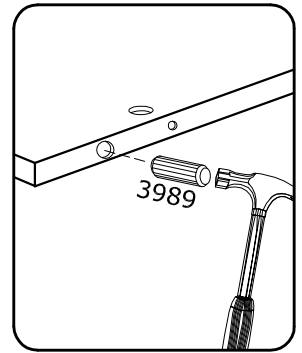
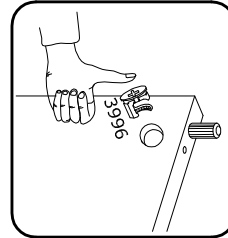
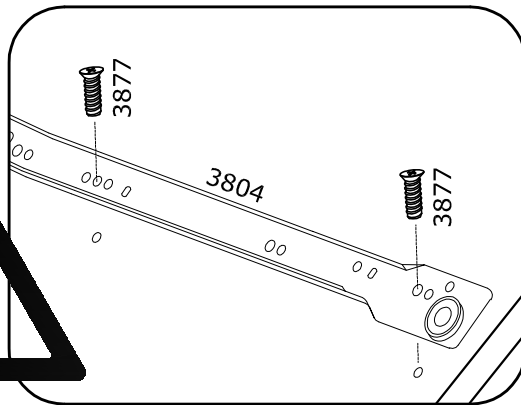
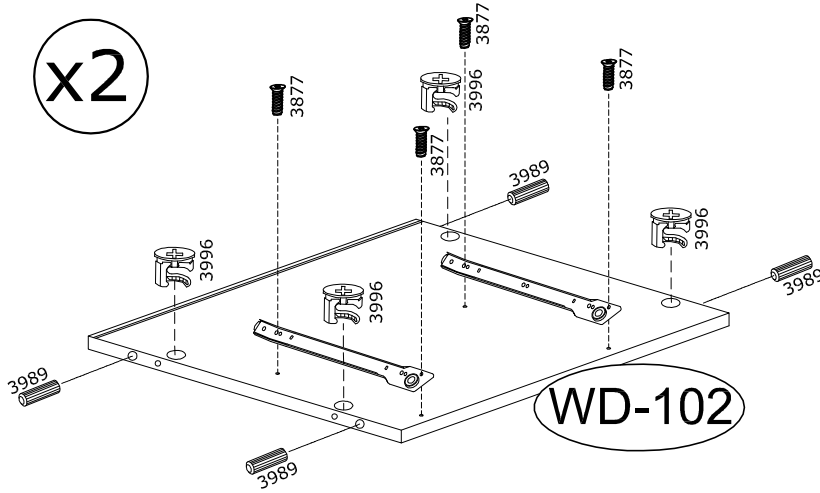
3877



x8



x2



4.

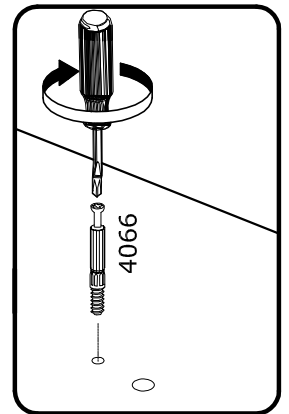
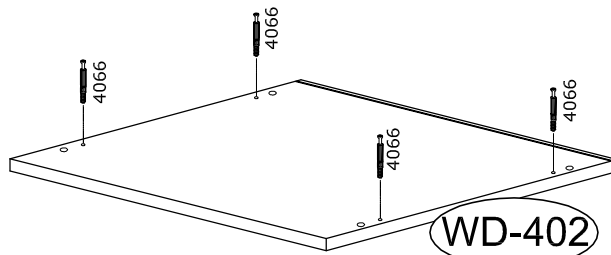
4066



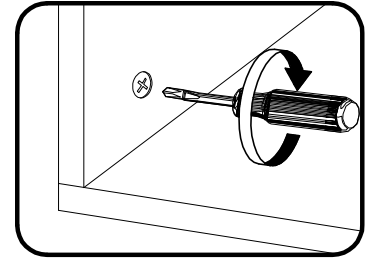
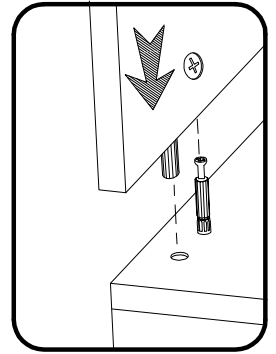
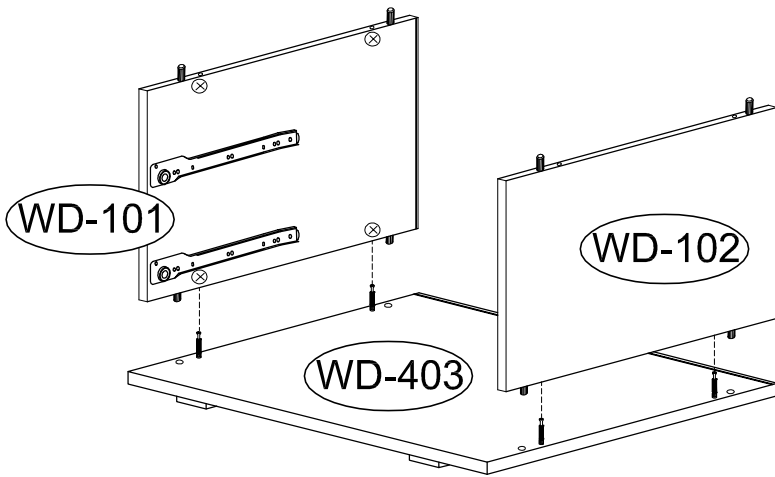
x8



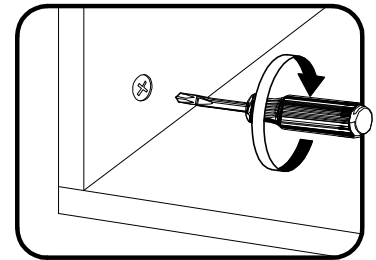
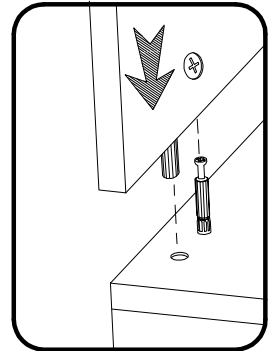
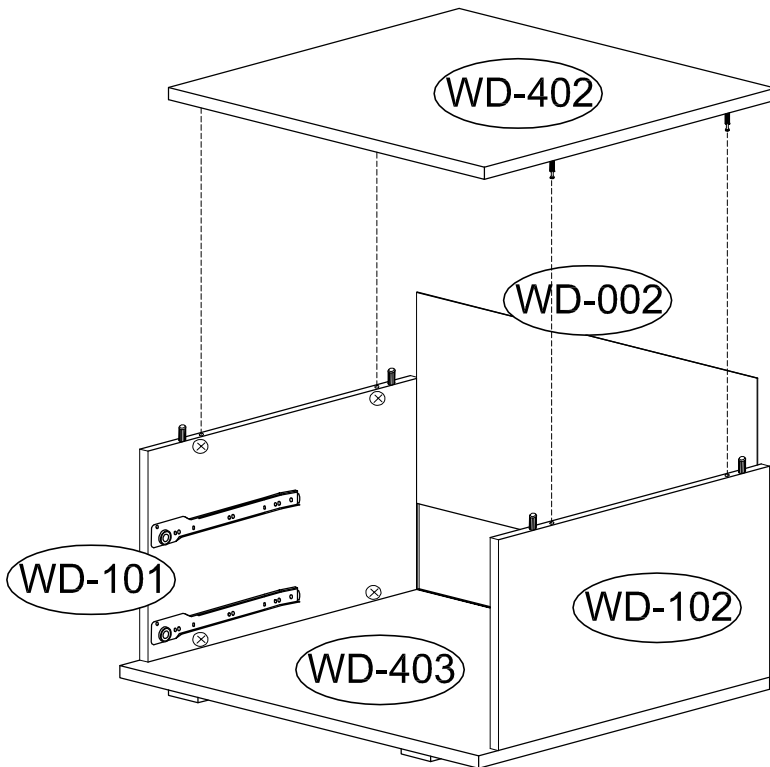
x2



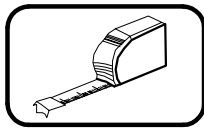
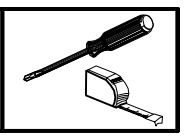
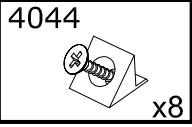
5.



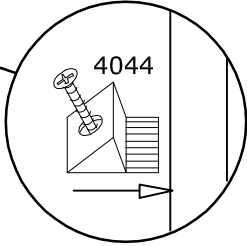
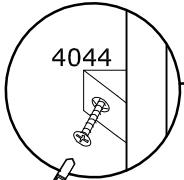
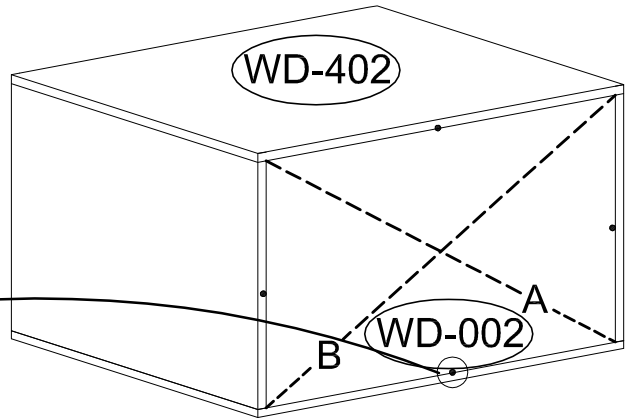
6.



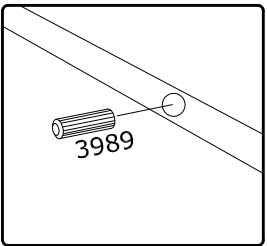
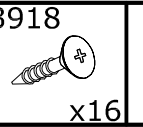
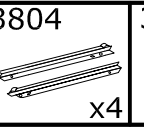
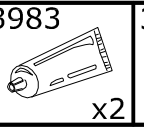
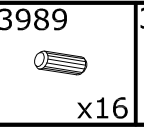
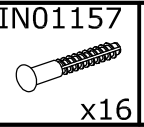
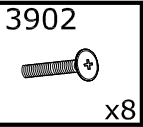
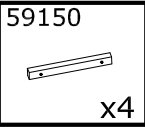
7.



A=B



8.



x4

