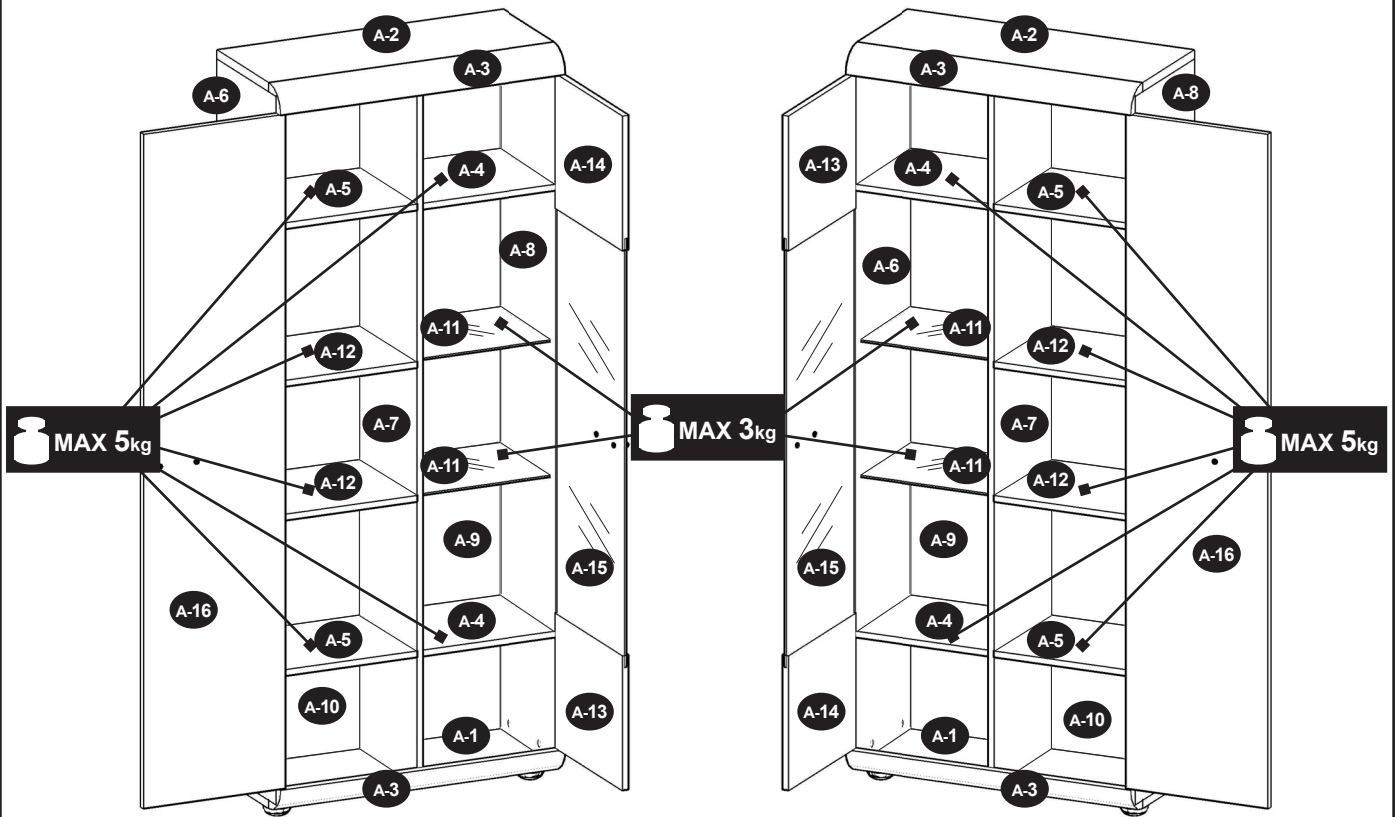


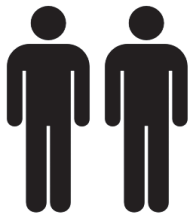
AL

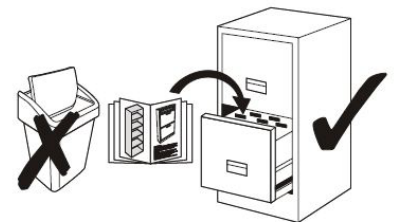
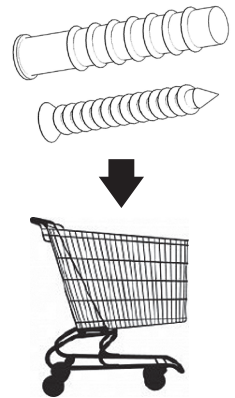
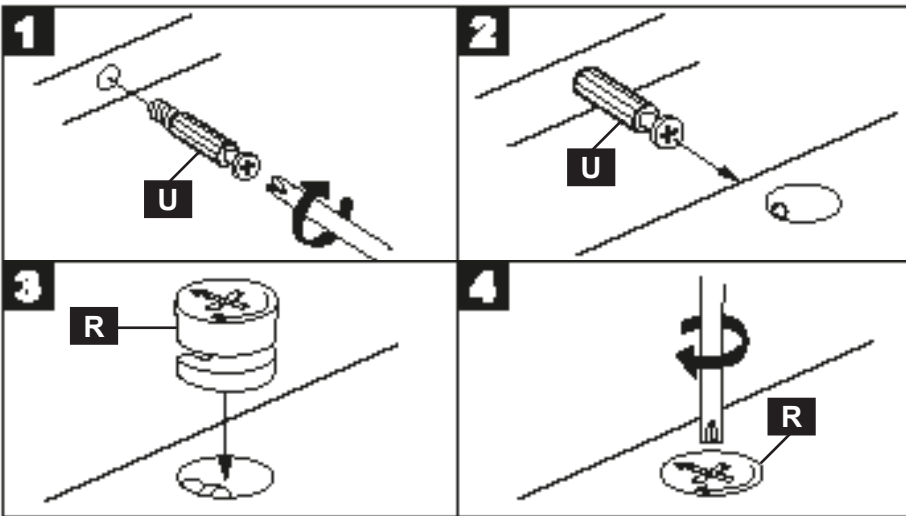
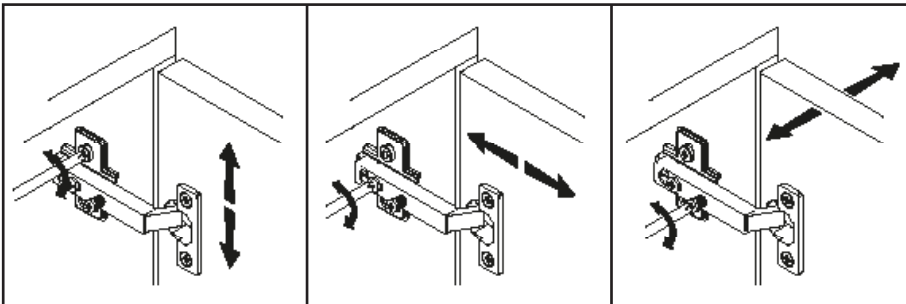
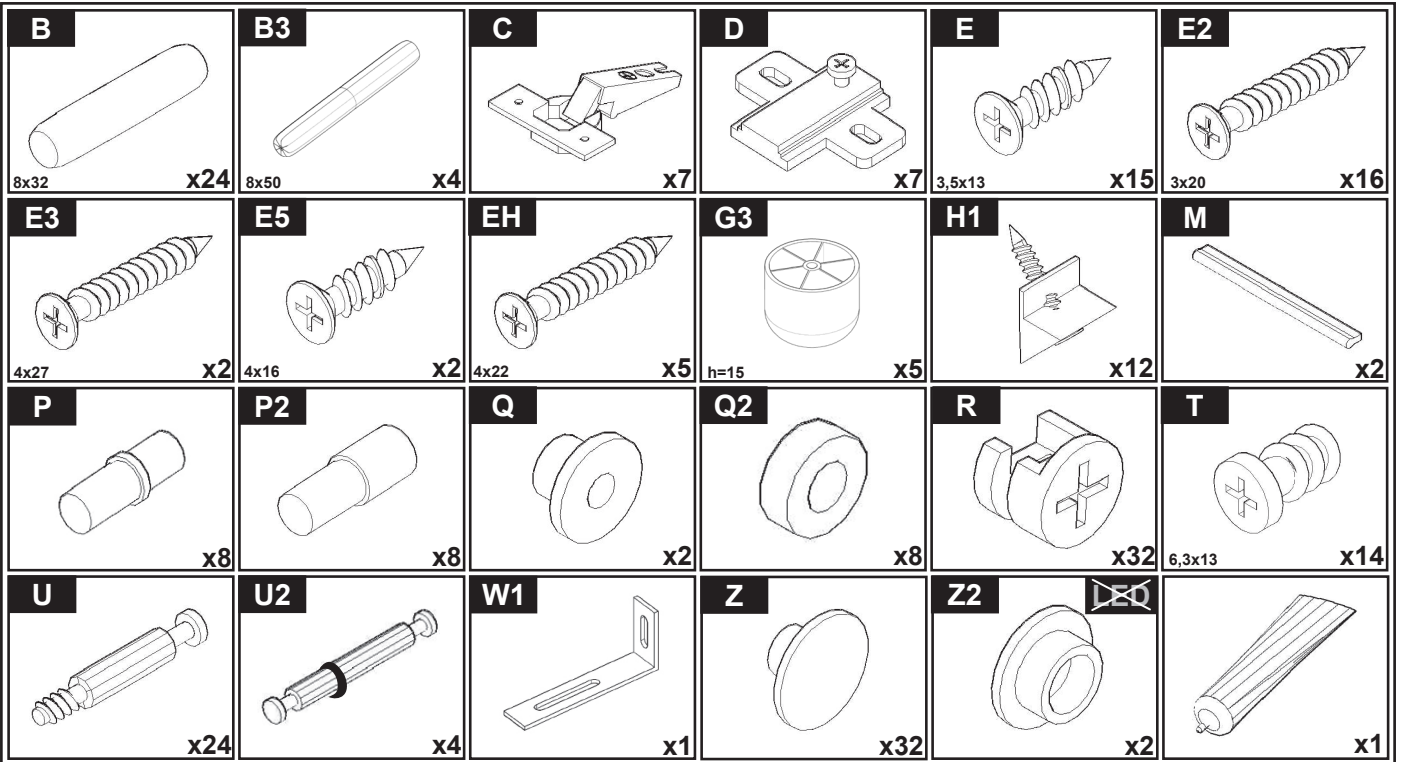
AR

A

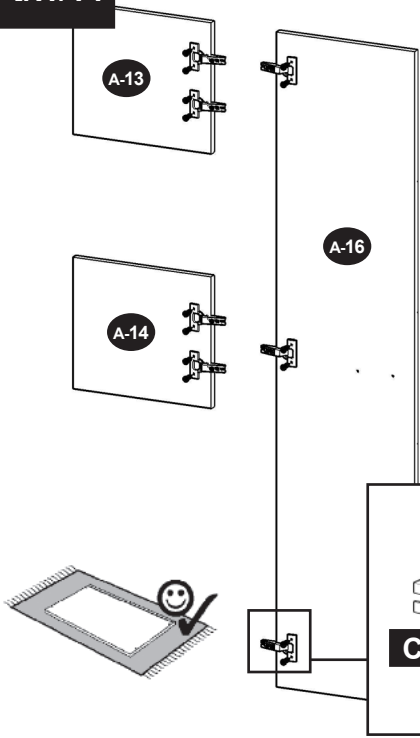


70 min.

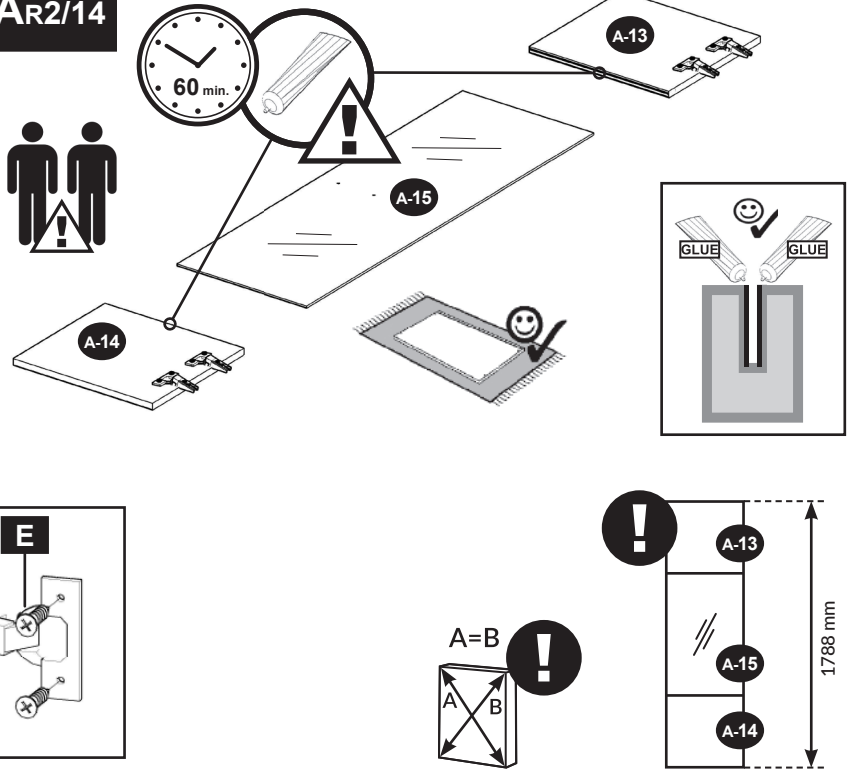




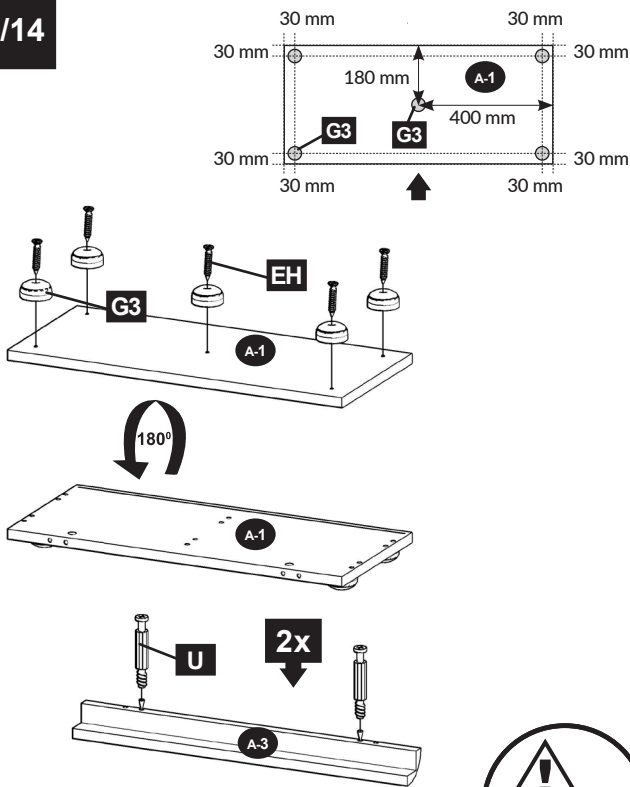
AR1/14



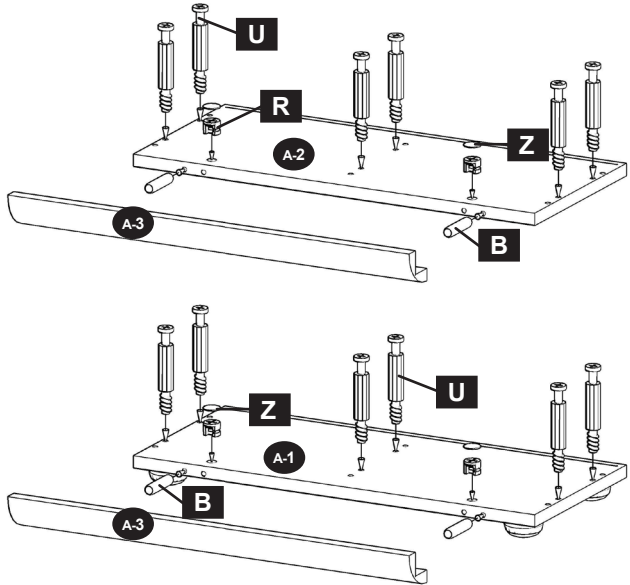
AR2/14



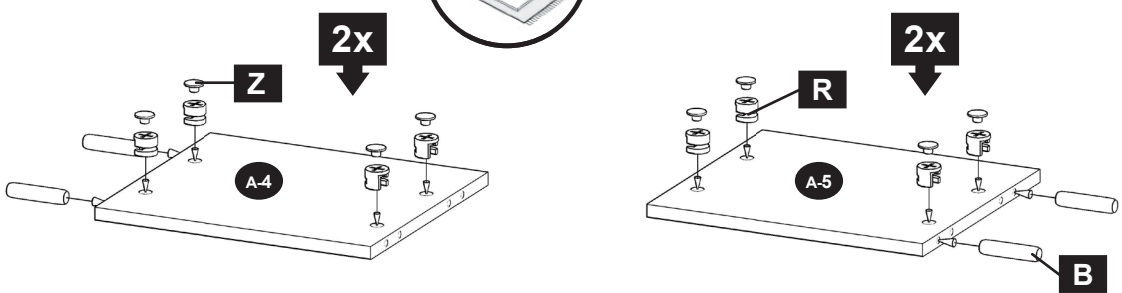
AR3/14



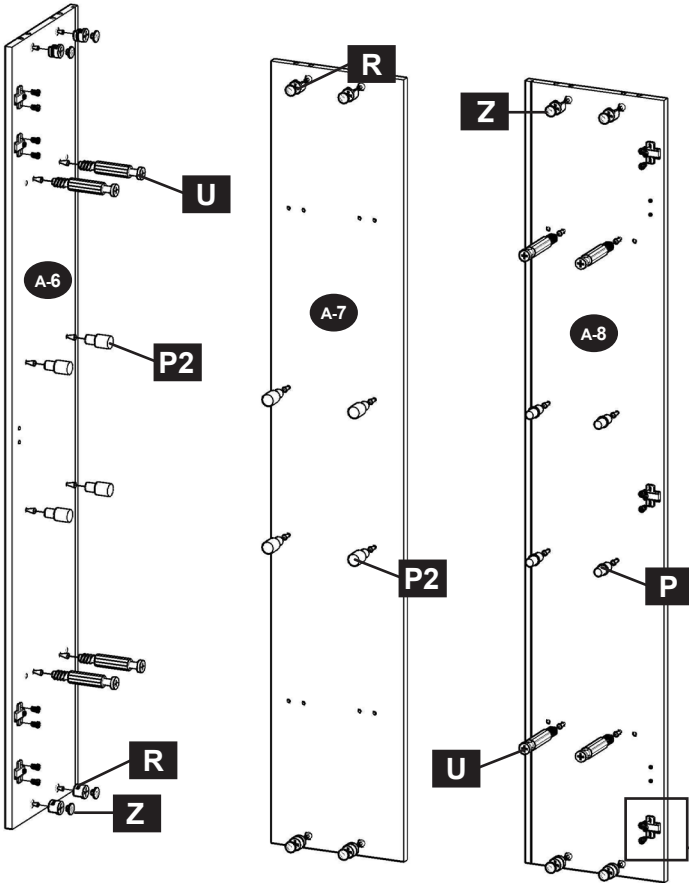
AR4/14



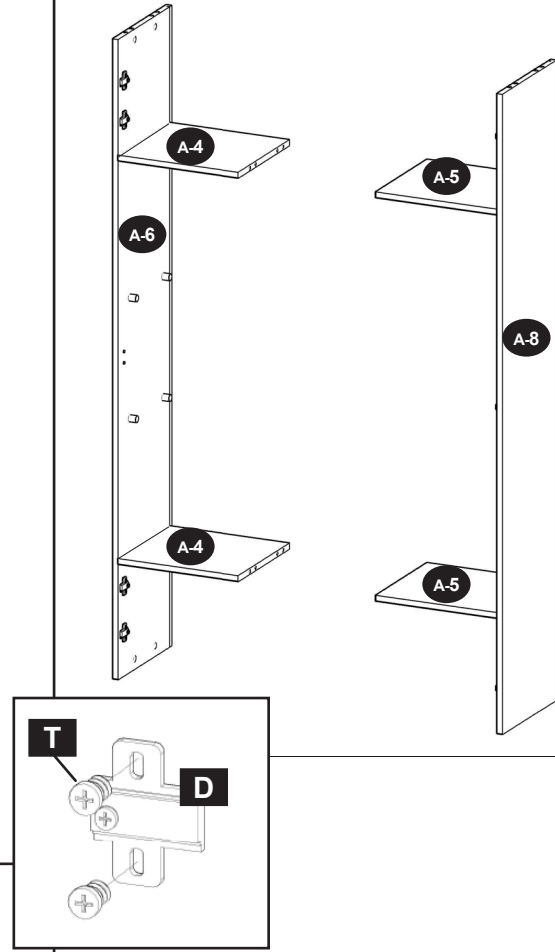
AR5/14



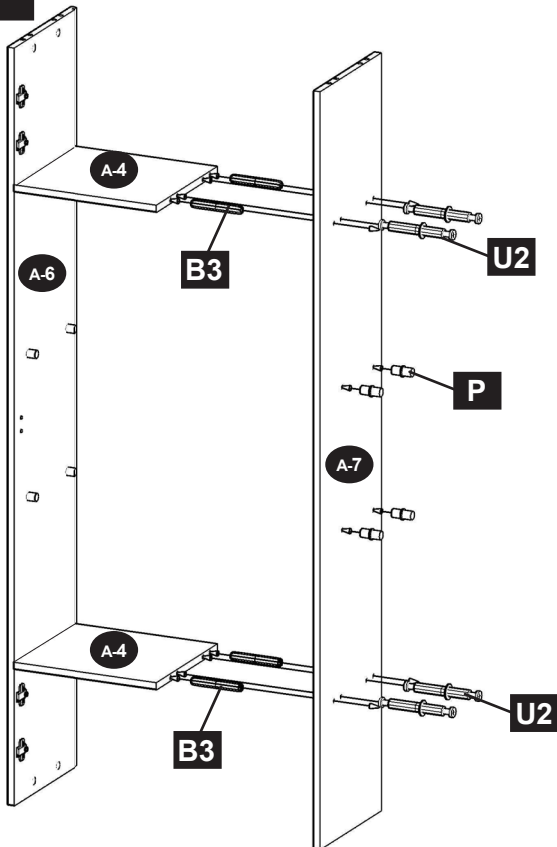
AR6/14



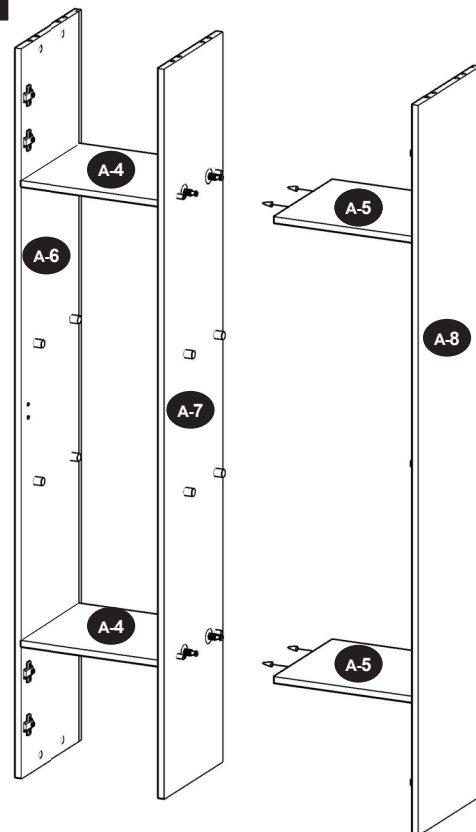
AR7/14



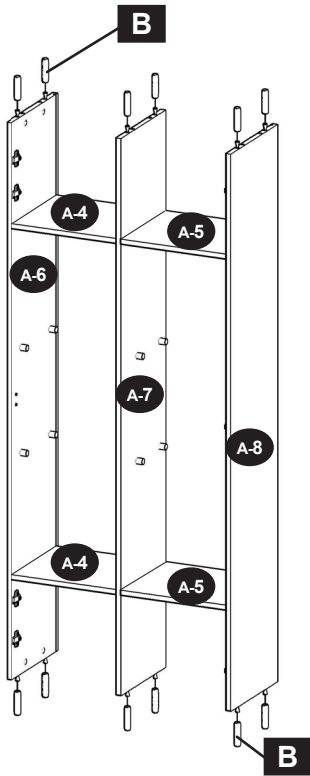
AR8/14



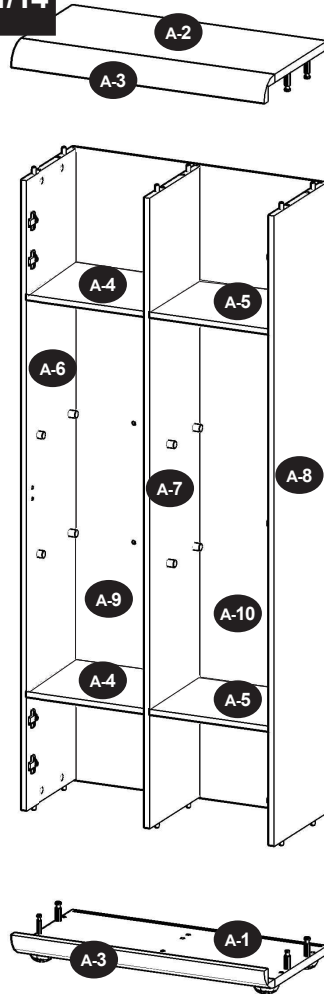
AR9/14



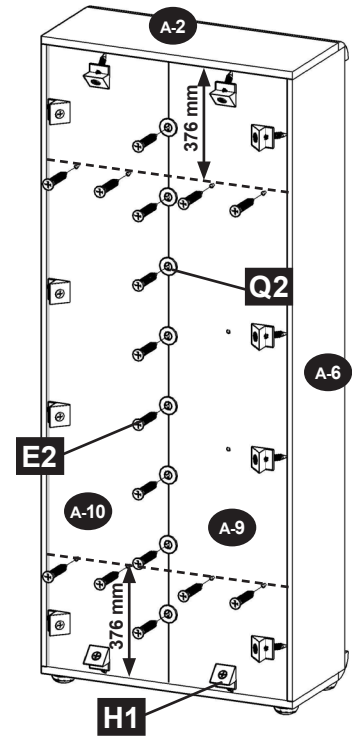
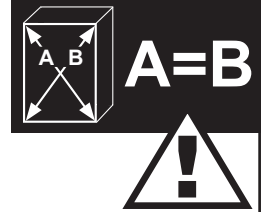
AR10/14



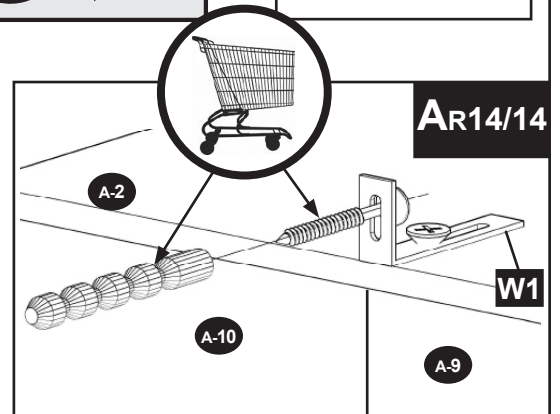
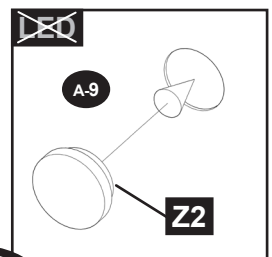
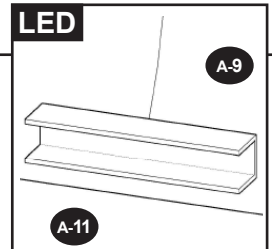
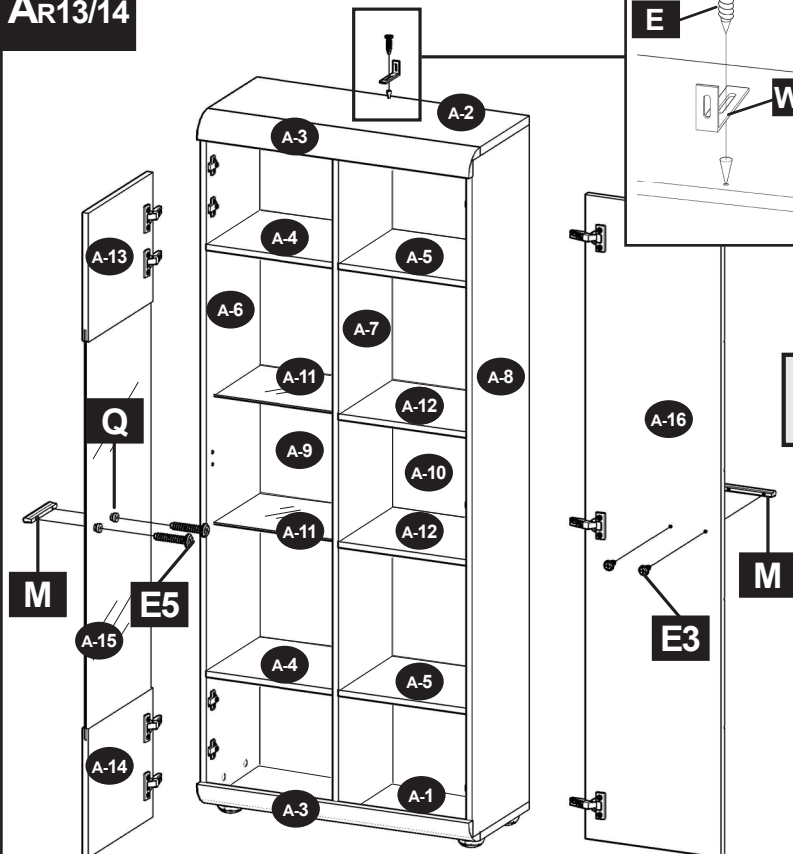
AR11/14



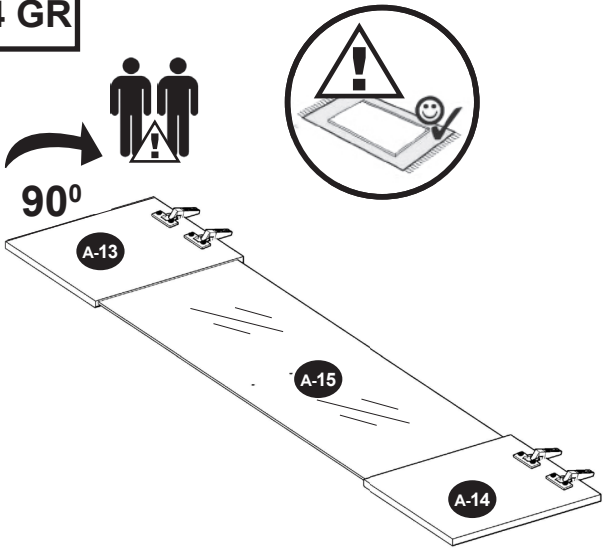
AR12/14



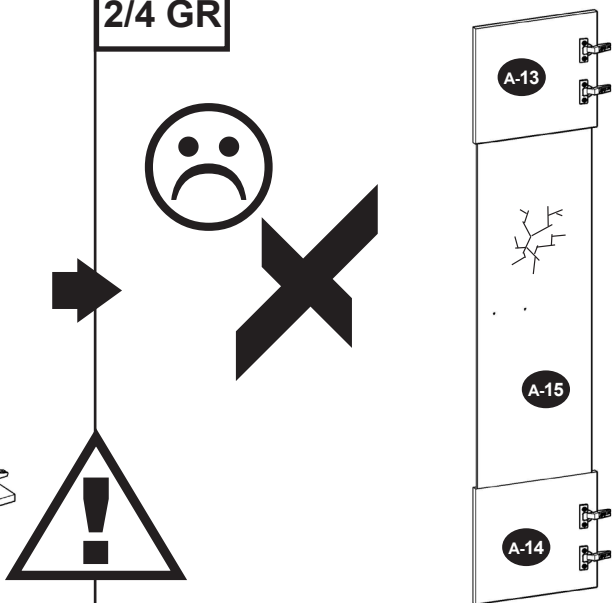
AR13/14



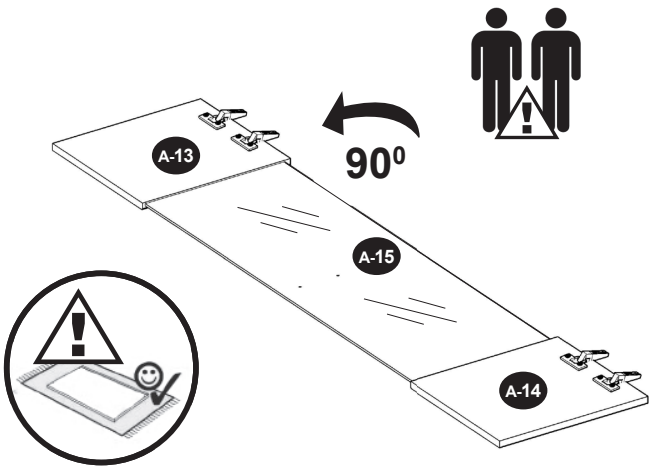
1/4 GR



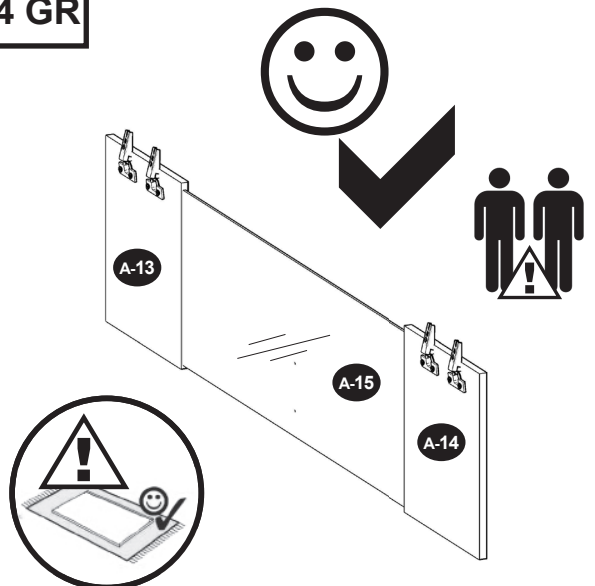
2/4 GR



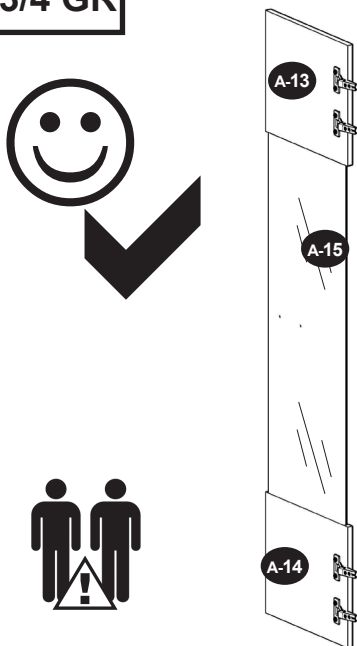
1/4 GR



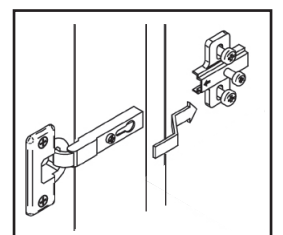
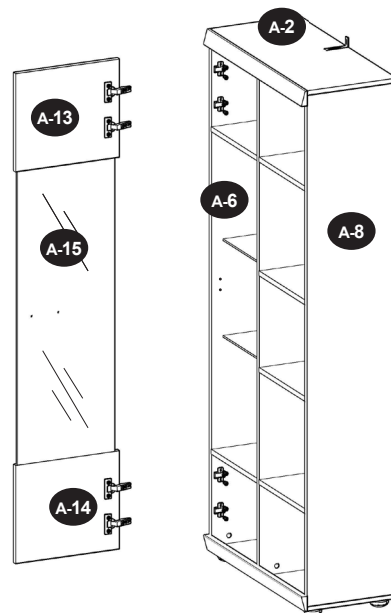
2/4 GR



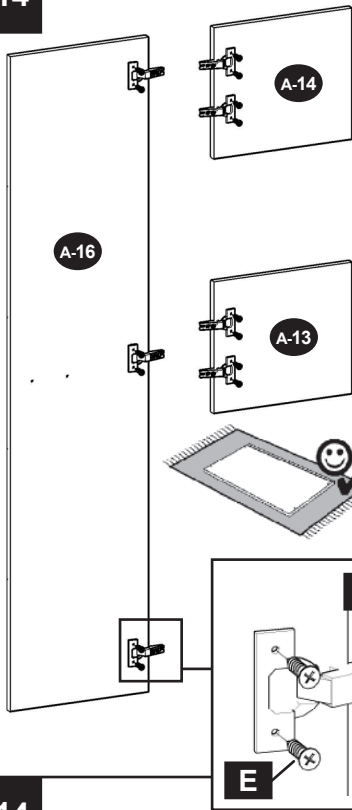
3/4 GR



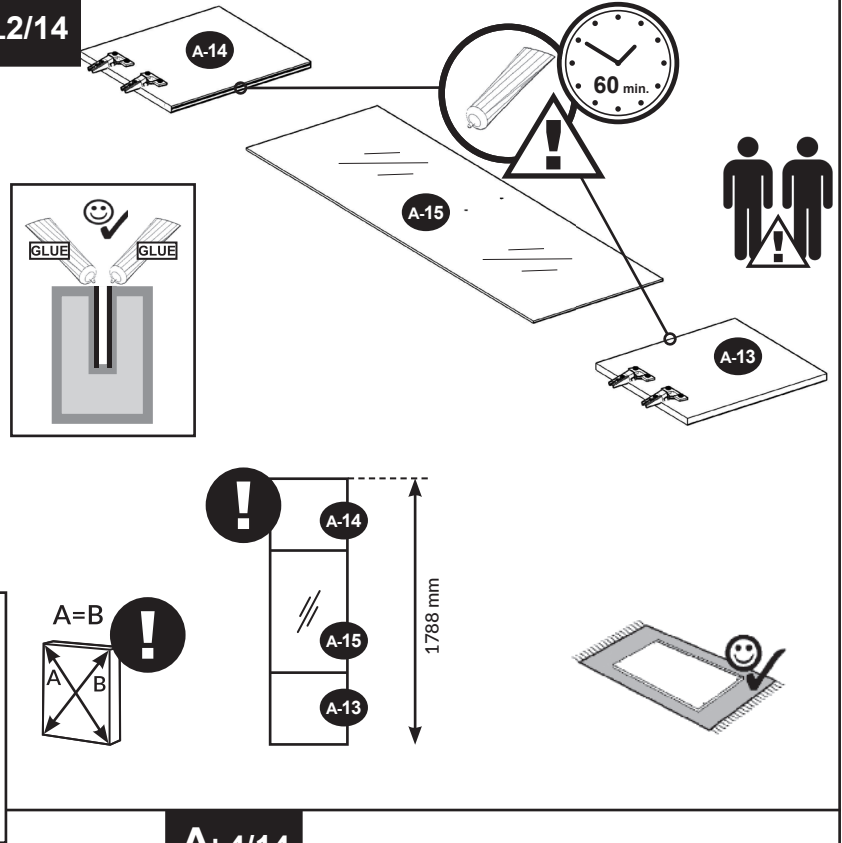
4/4 GR



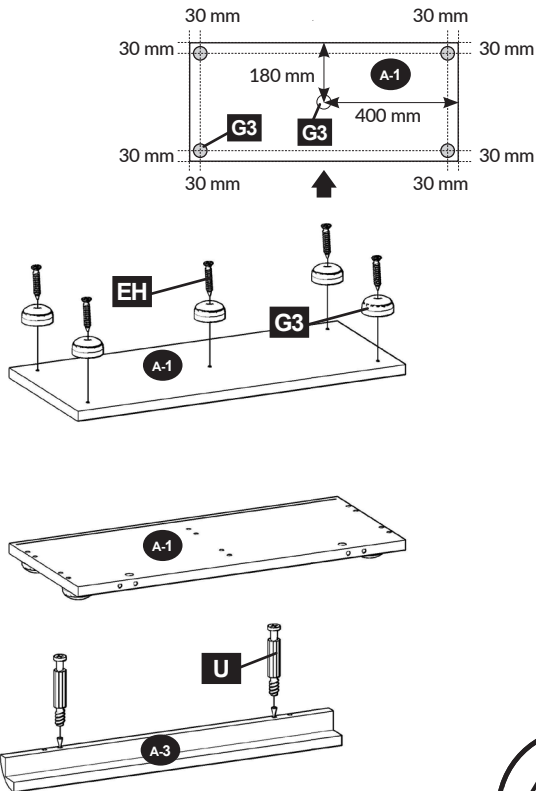
AL1/14



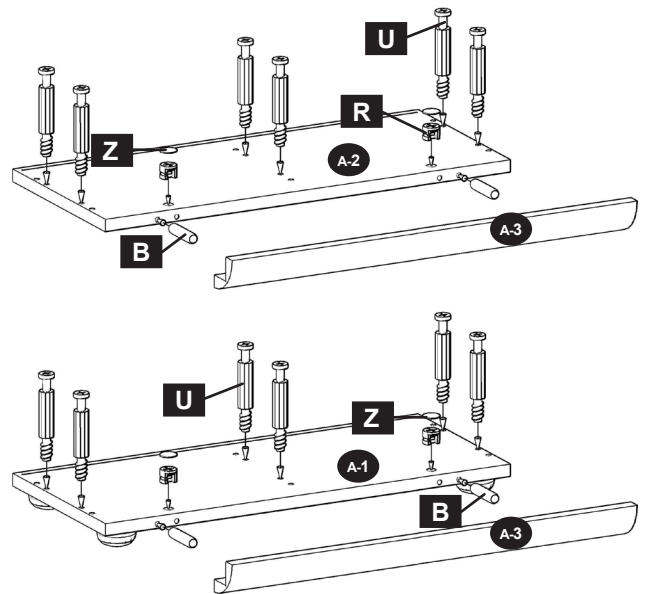
AL2/14



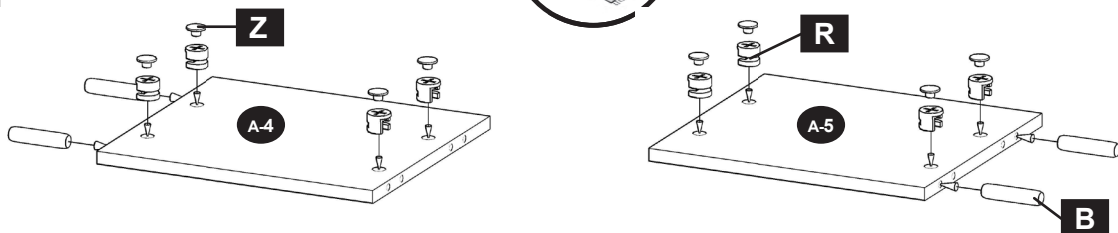
AL3/14



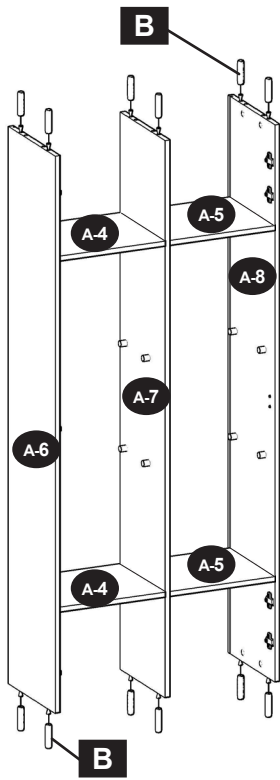
AL4/14



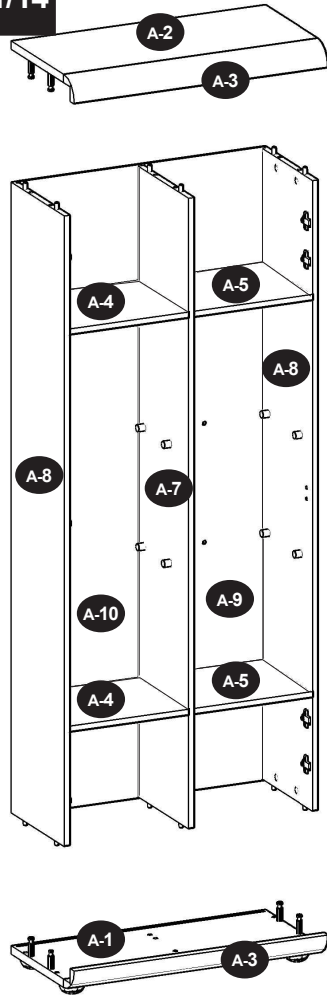
AL5/14



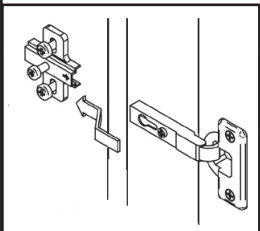
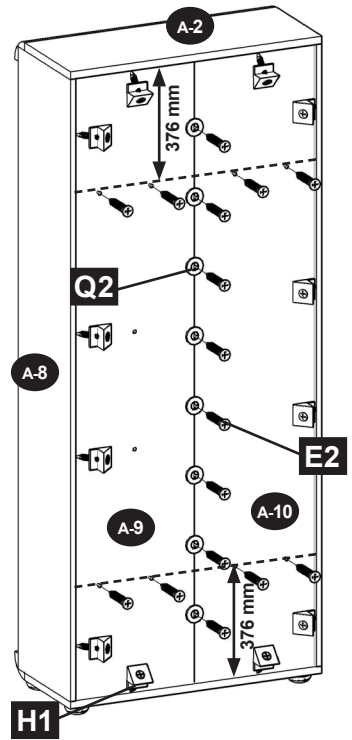
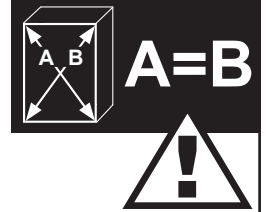
AL10/14



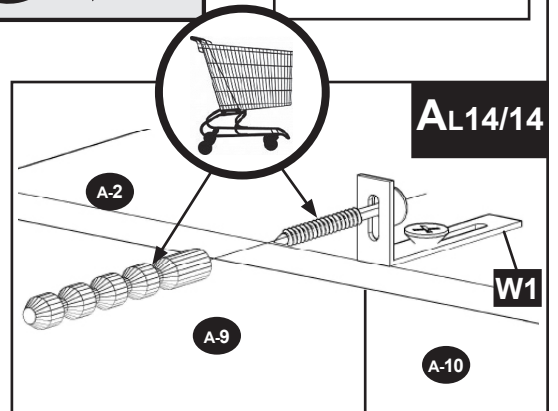
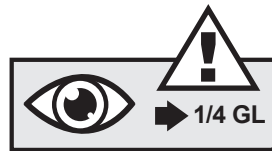
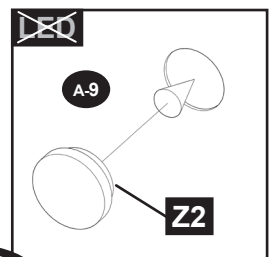
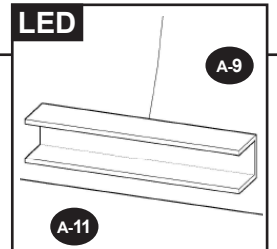
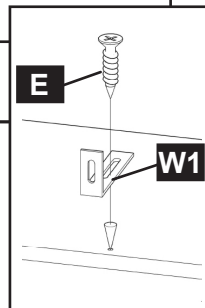
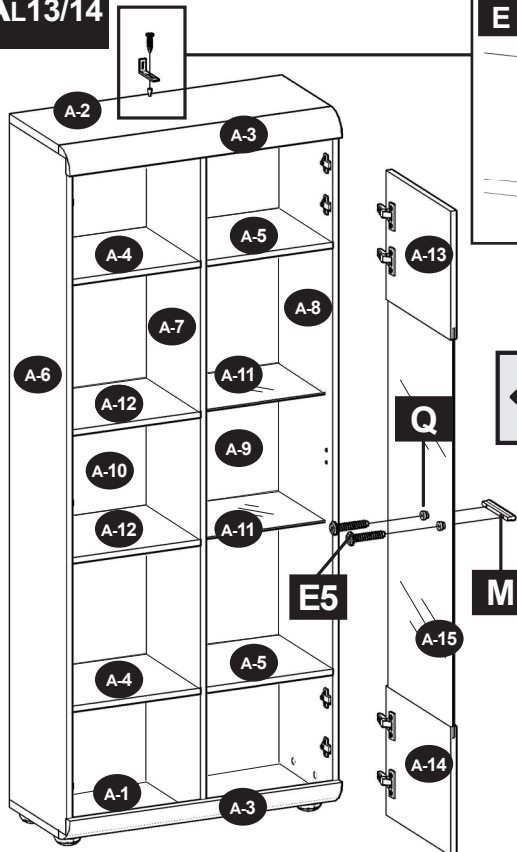
AL11/14



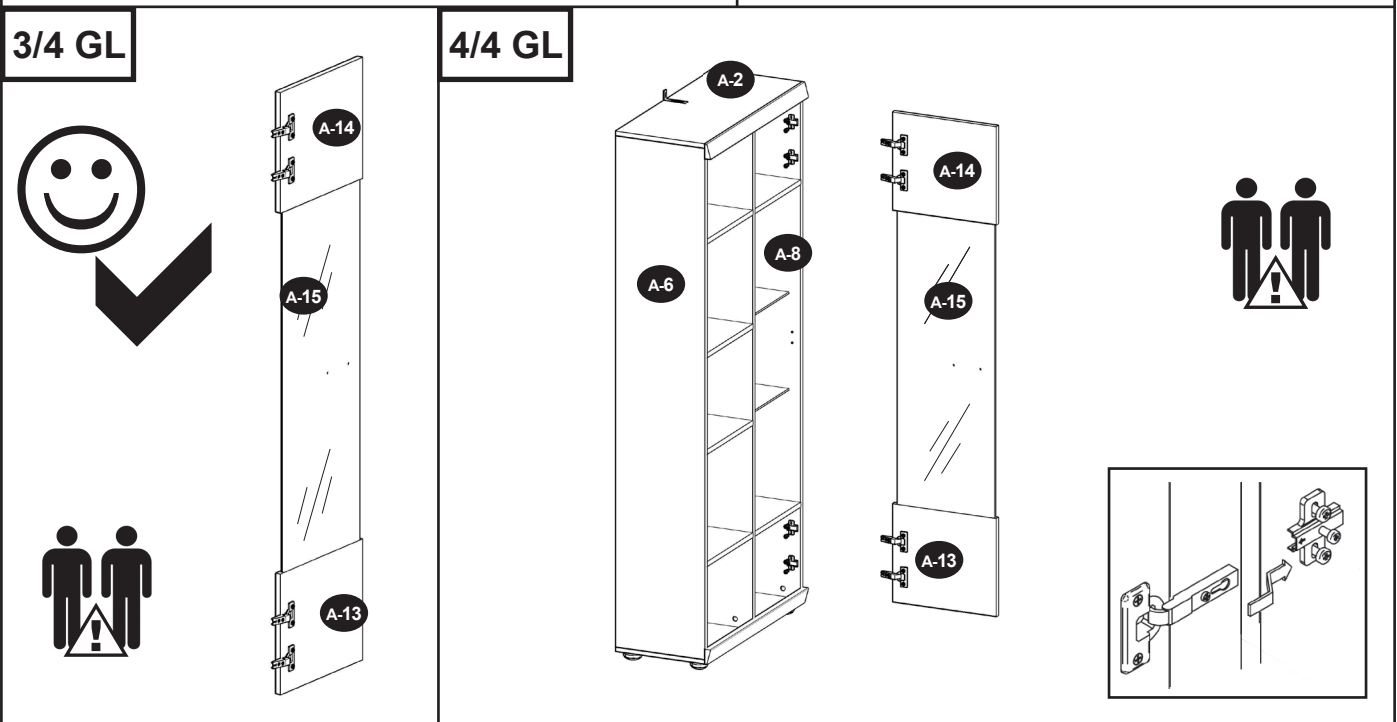
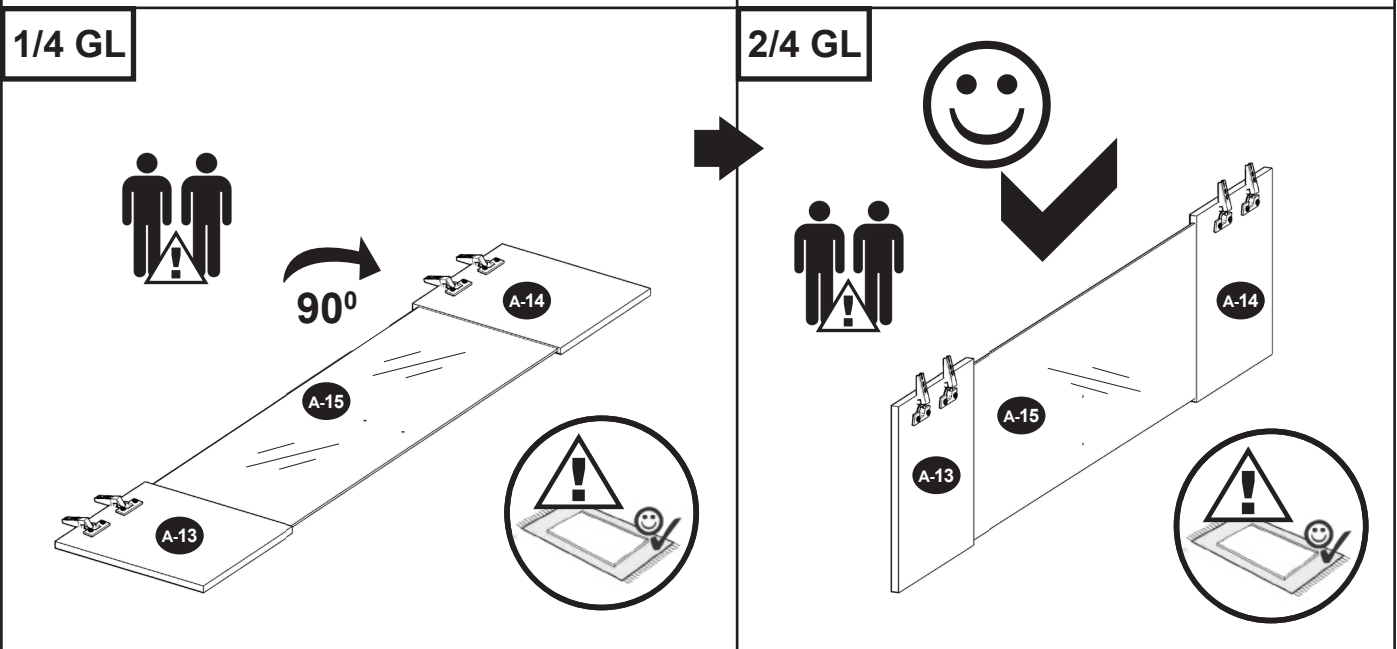
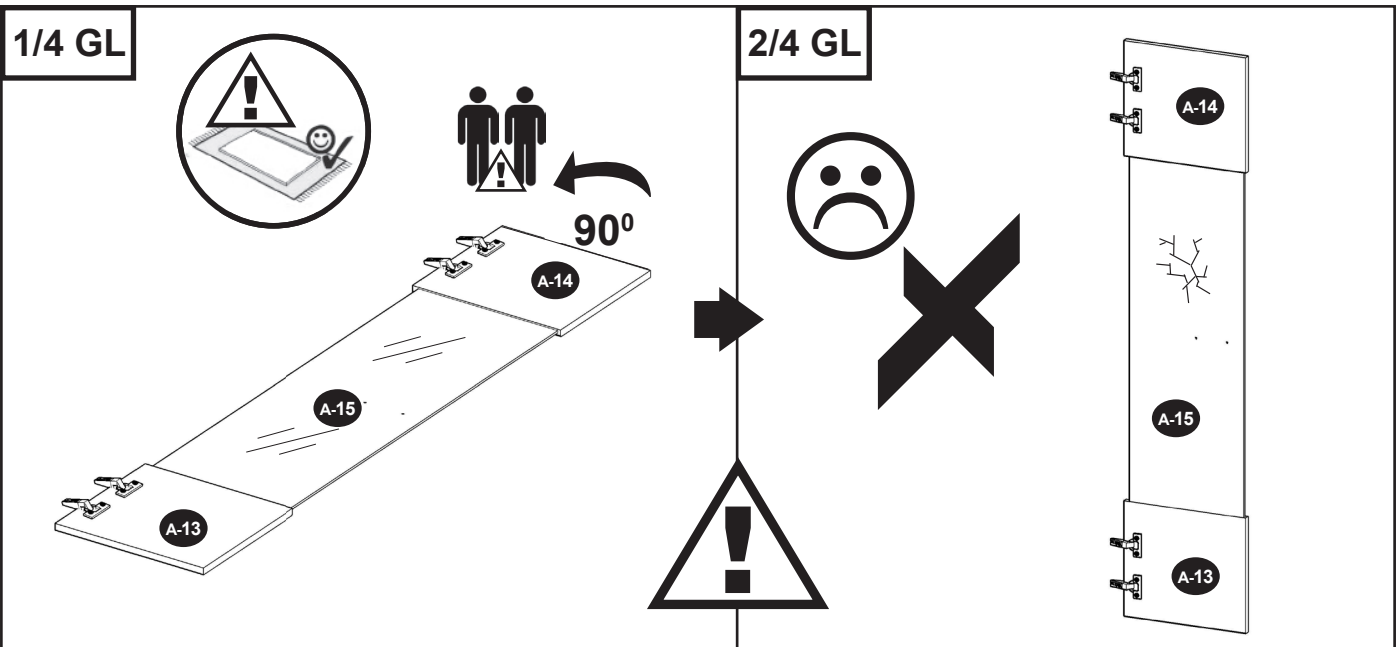
AL12/14

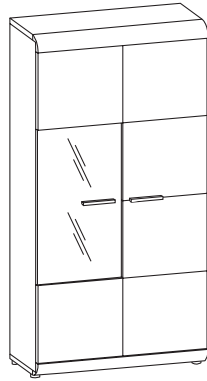
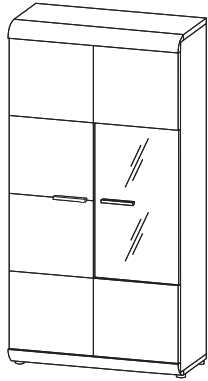


AL13/14



AL14/14

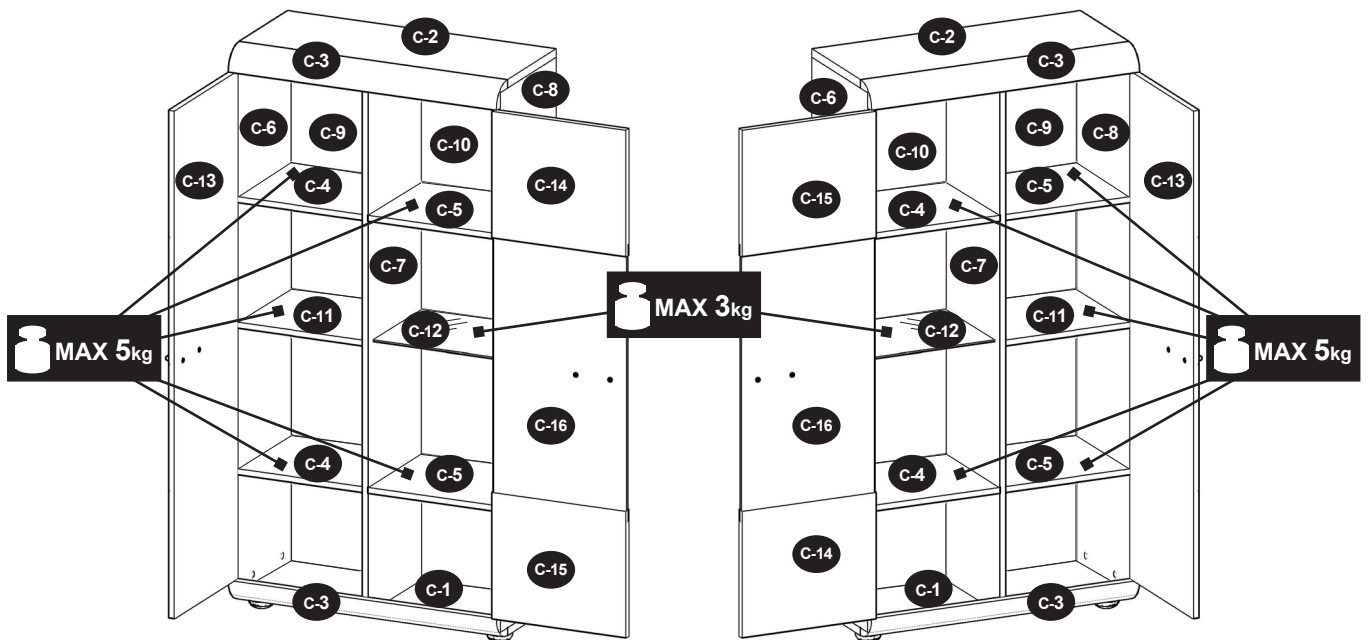




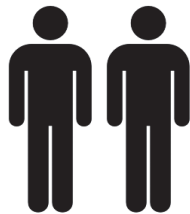
CL

CR

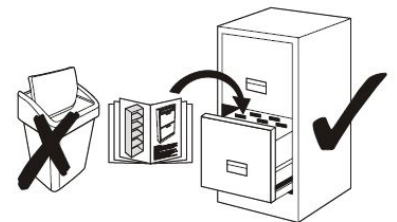
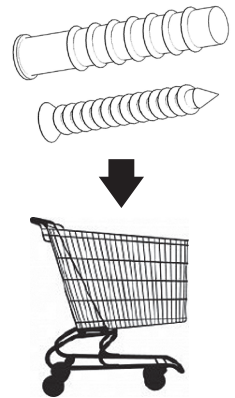
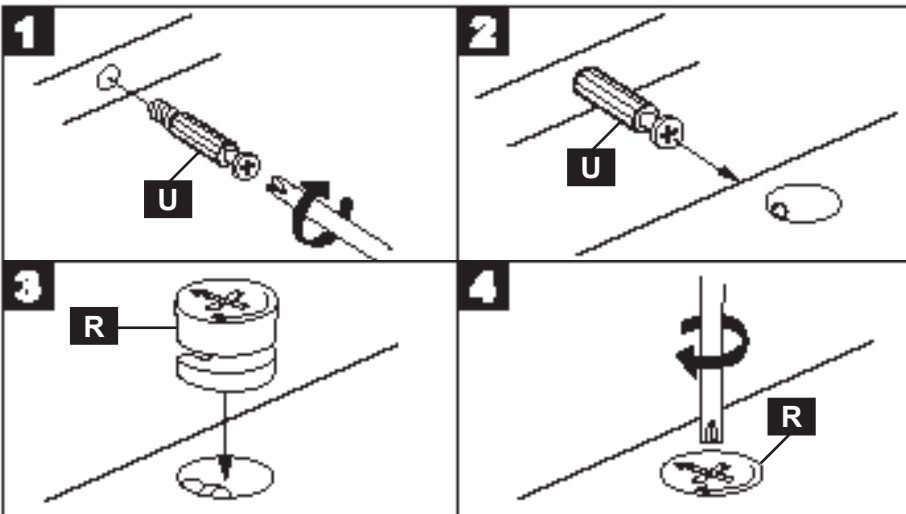
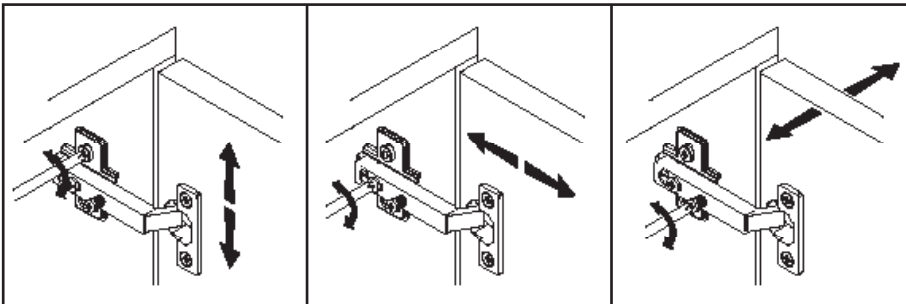
C



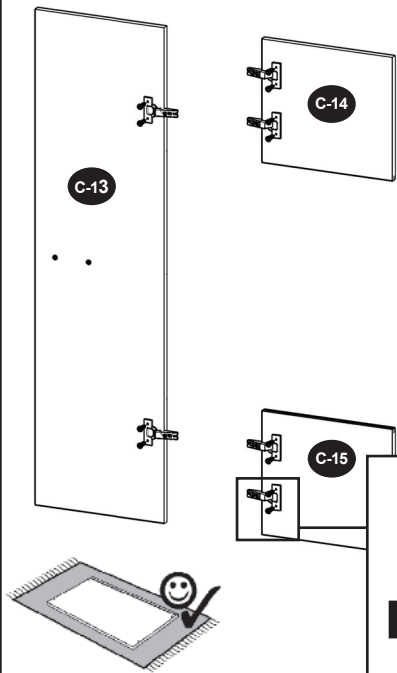
70 min.



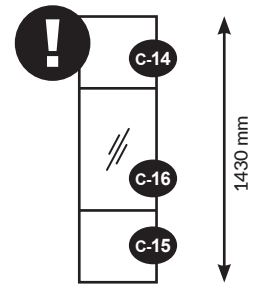
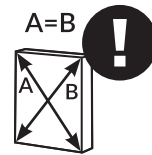
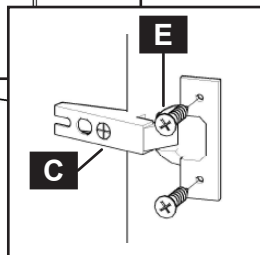
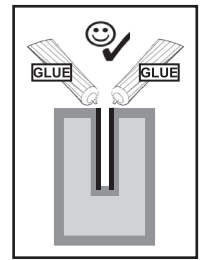
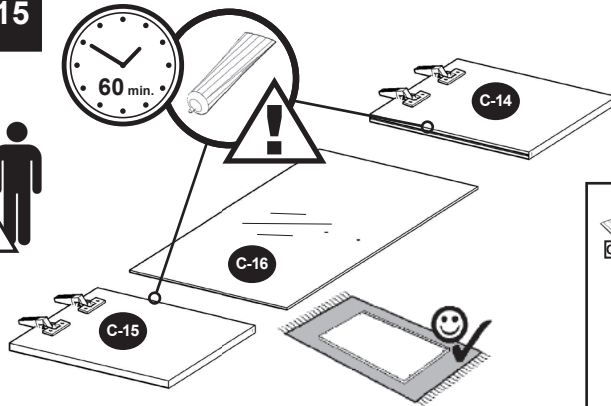
B 8x32 x24	B3 8x50 x4	C x6	D x6	E 3,5x13 x13	E2 3x20 x14
E3 4x27 x2	E5 4x16 x2	EH 4x22 x5	G3 h=15 x5	H1 x10	M x2
P x4	P2 x4	Q x2	Q2 x6	R x32	T 6,3x13 x12
U x24	U2 x4	W1 x1	Z x32	Z2 x1	 x1



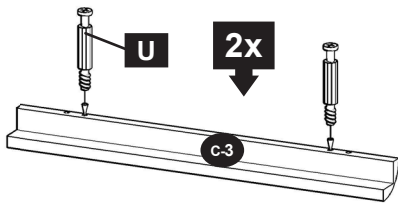
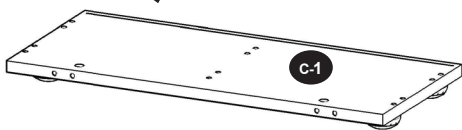
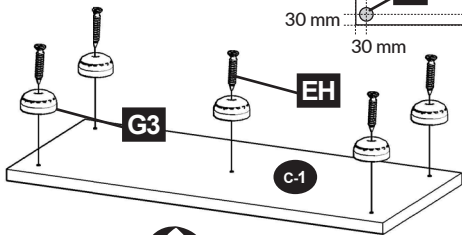
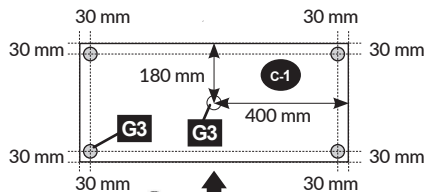
CL1/15



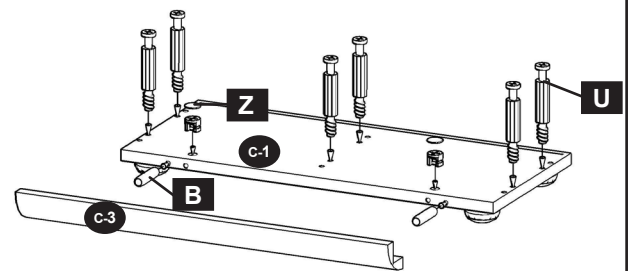
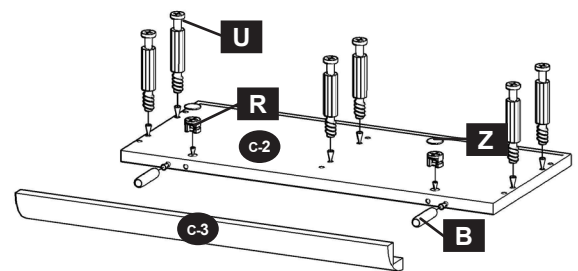
CL2/15



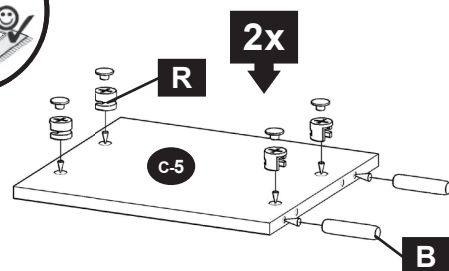
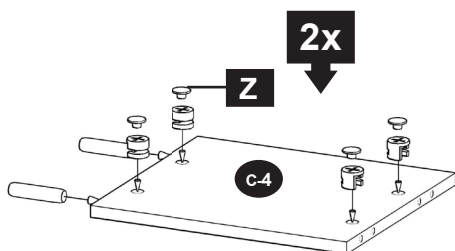
CL3/15



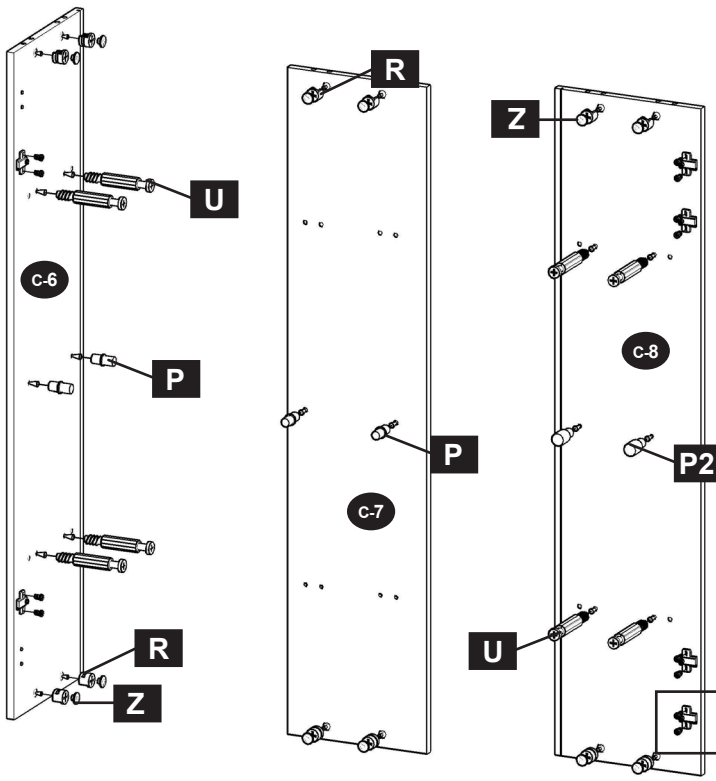
CL4/15



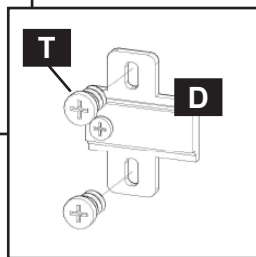
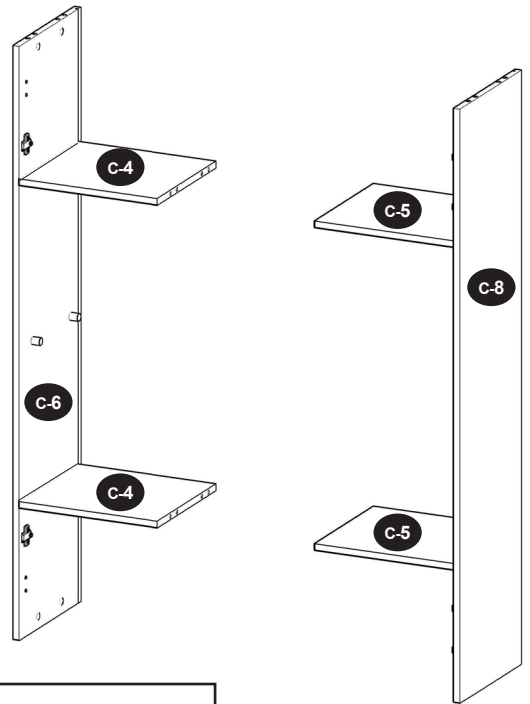
CL5/15



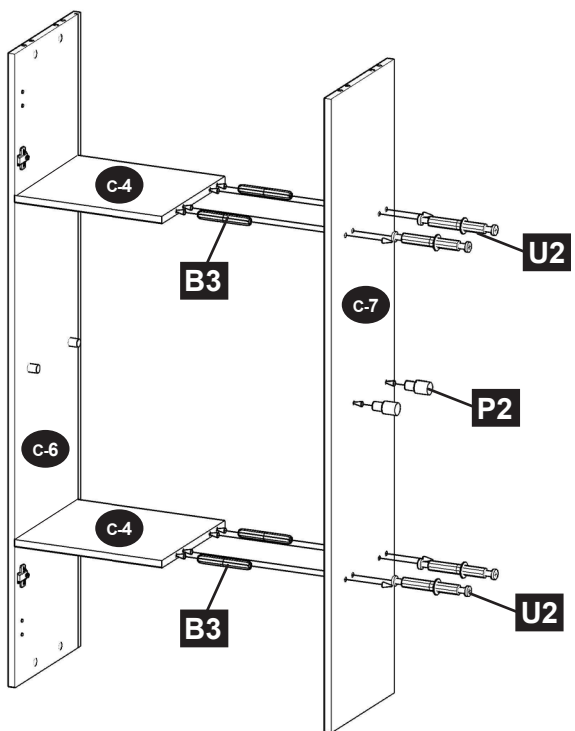
CL6/15



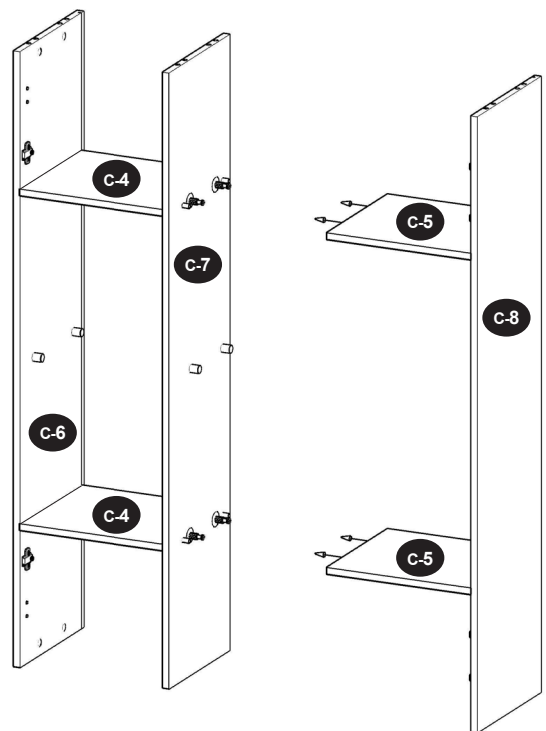
CL7/15



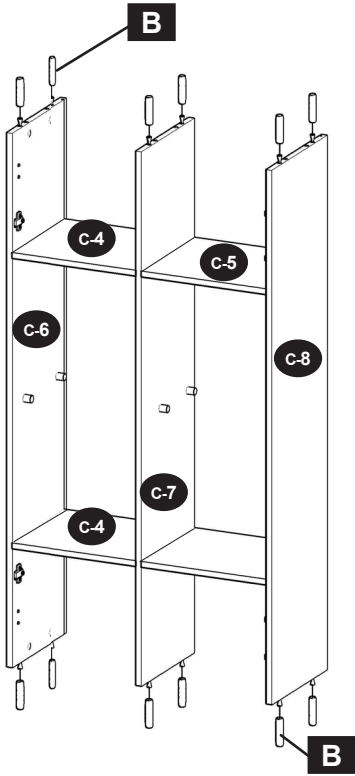
CL8/15



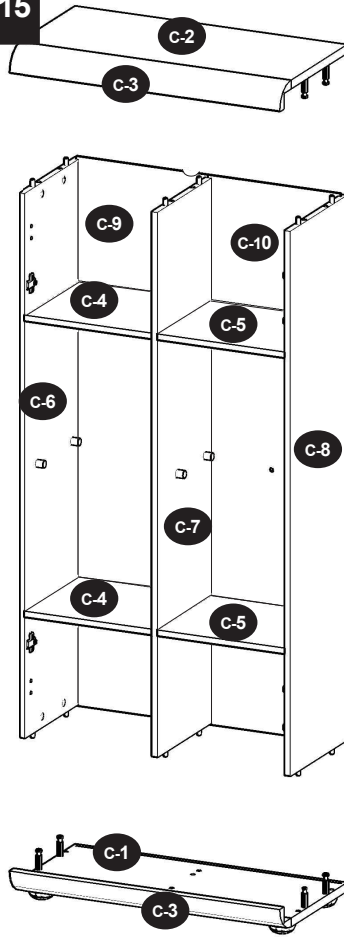
CL9/15



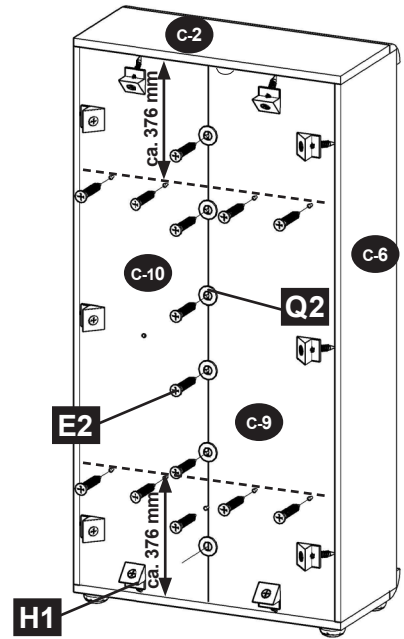
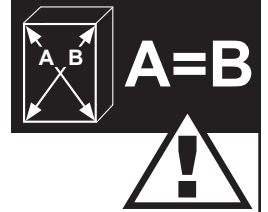
CL10/15



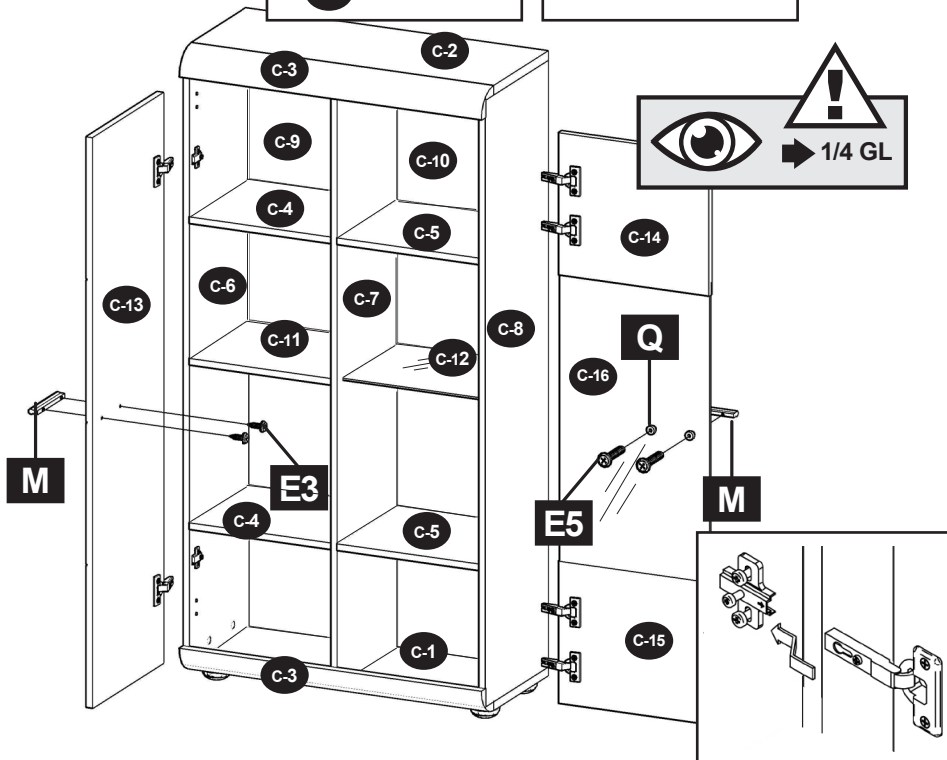
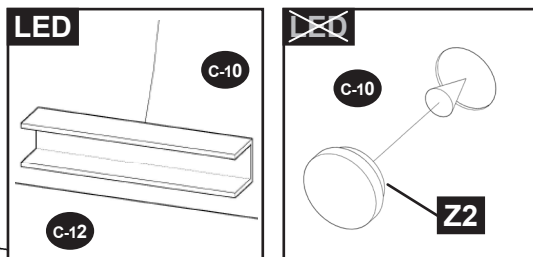
CL11/15



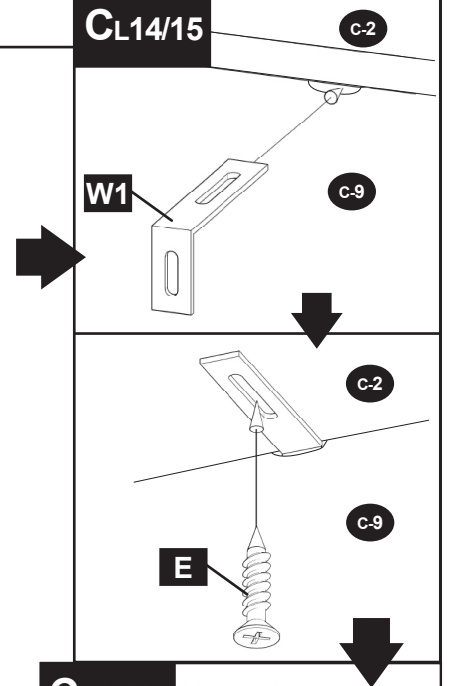
CL12/15



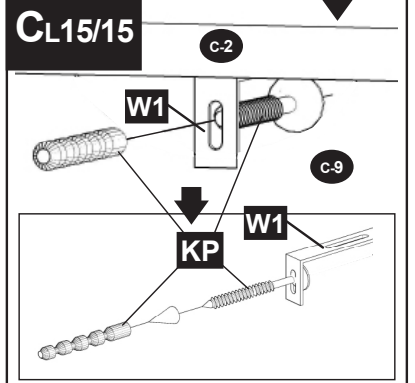
CL13/15



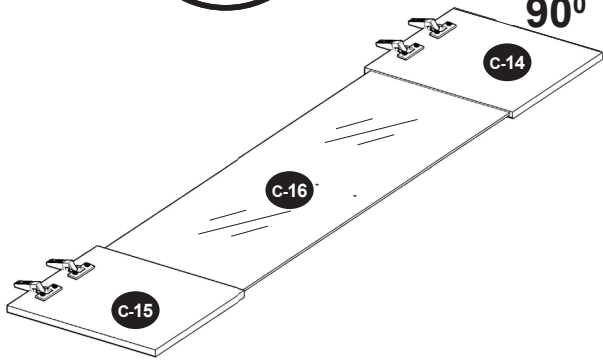
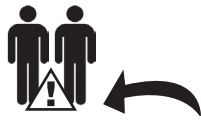
CL14/15



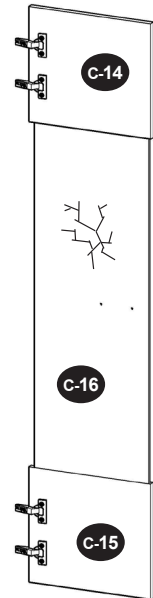
CL15/15



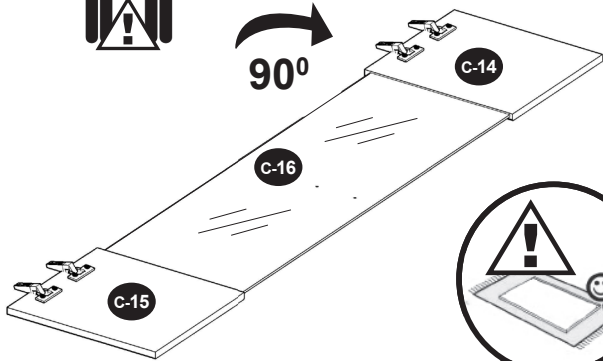
1/4 GL



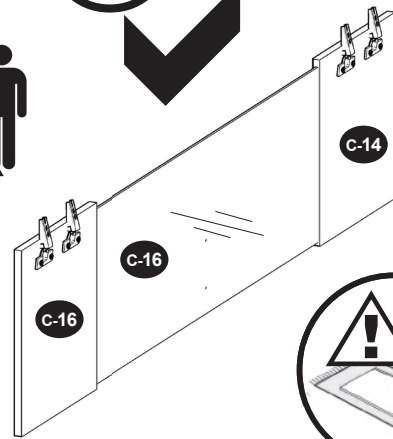
2/4 GL



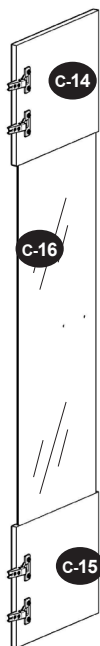
1/4 GL



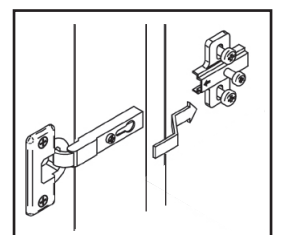
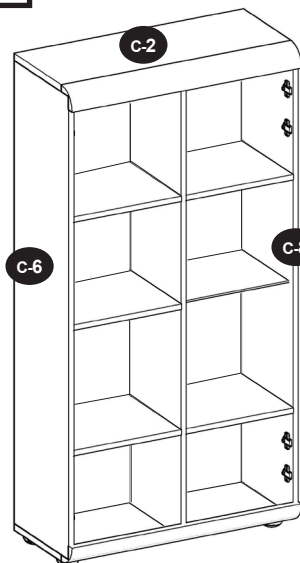
2/4 GL



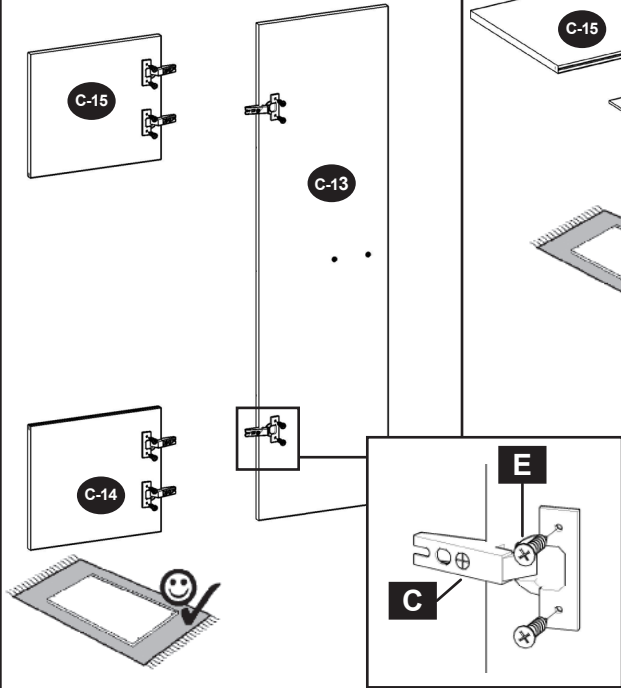
3/4 GL



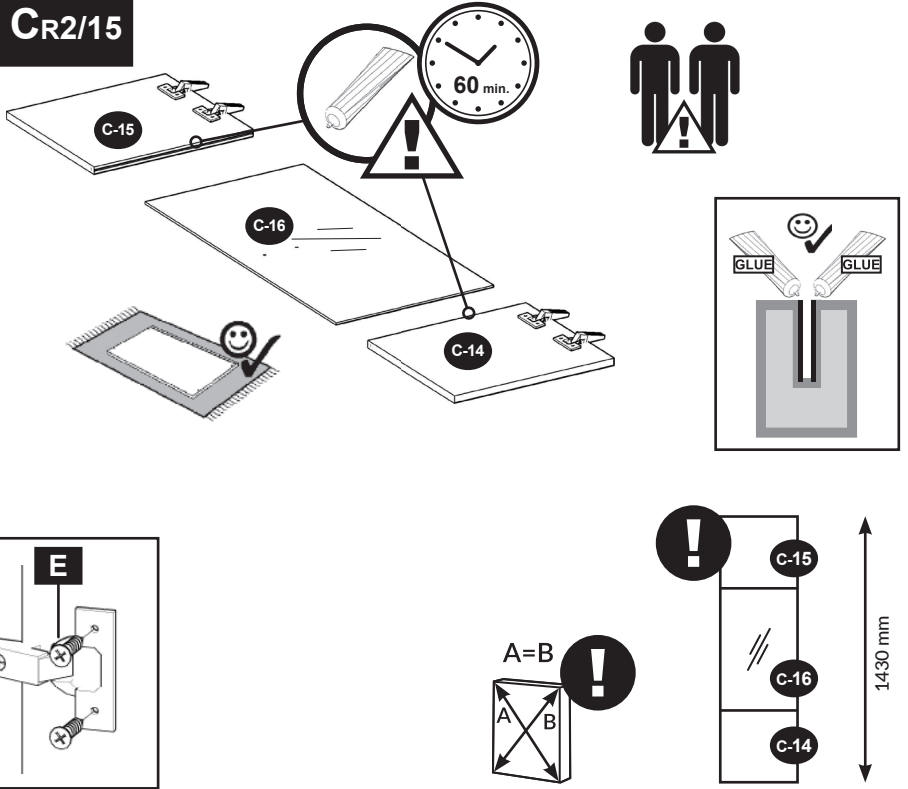
4/4 GL



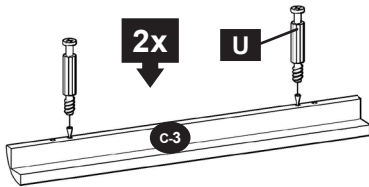
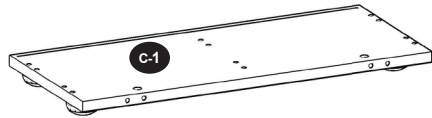
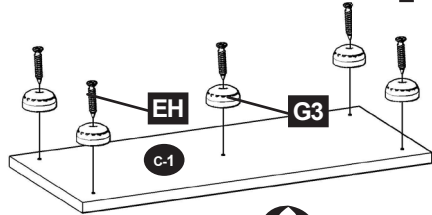
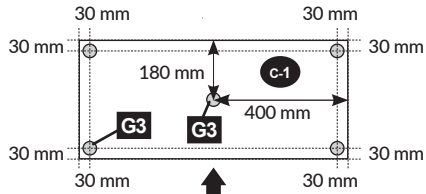
CR1/15



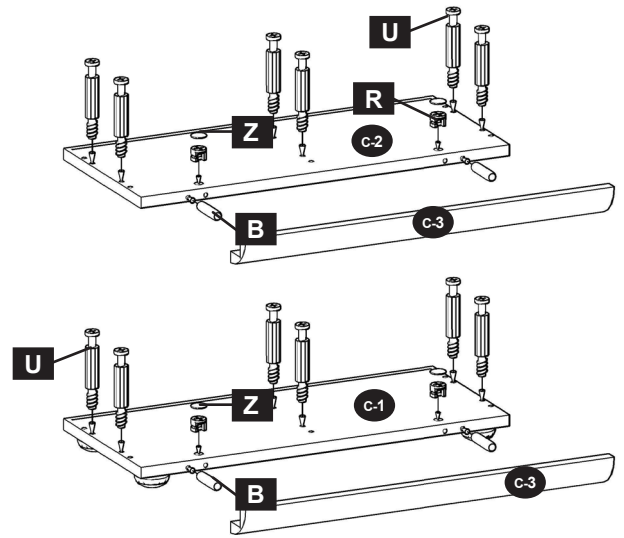
CR2/15



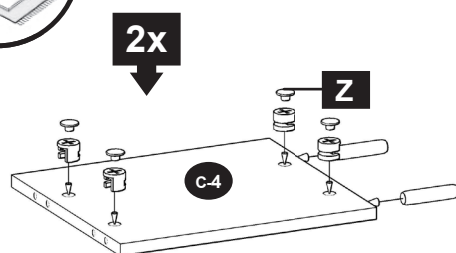
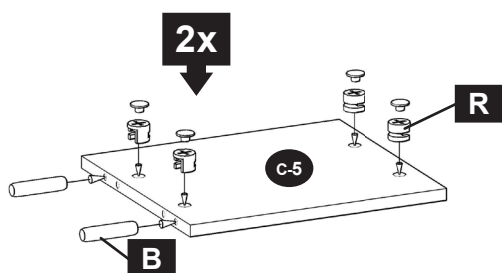
CR3/15



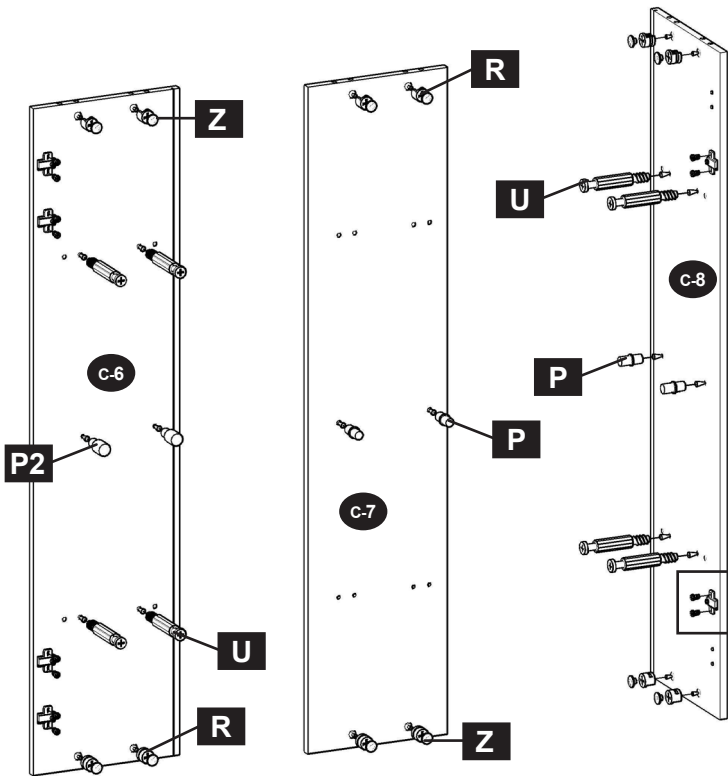
CR4/15



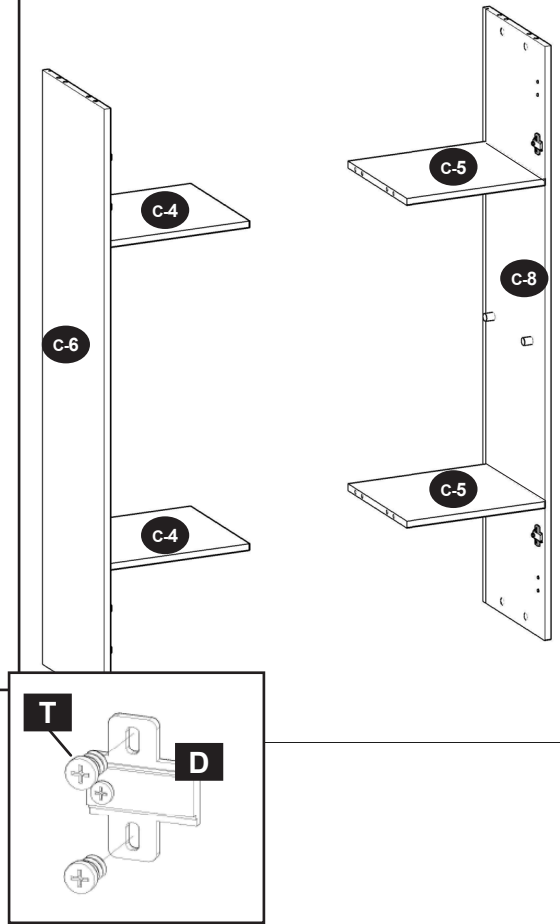
CR5/15



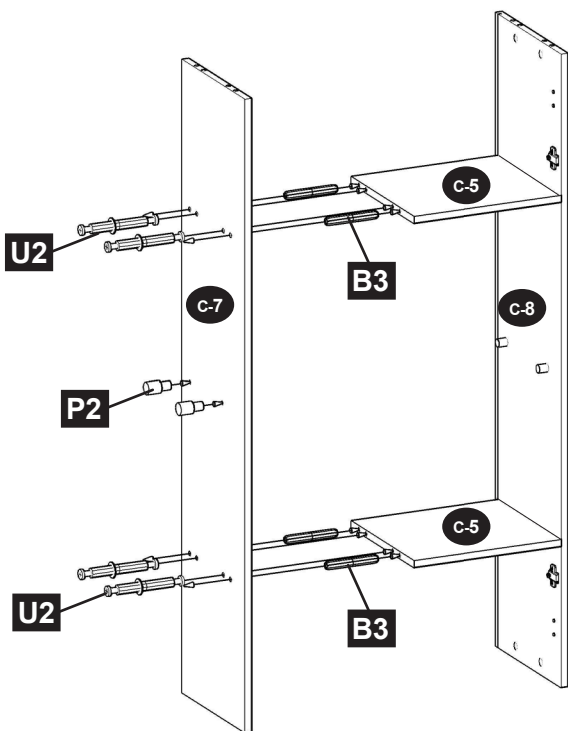
CR6/15



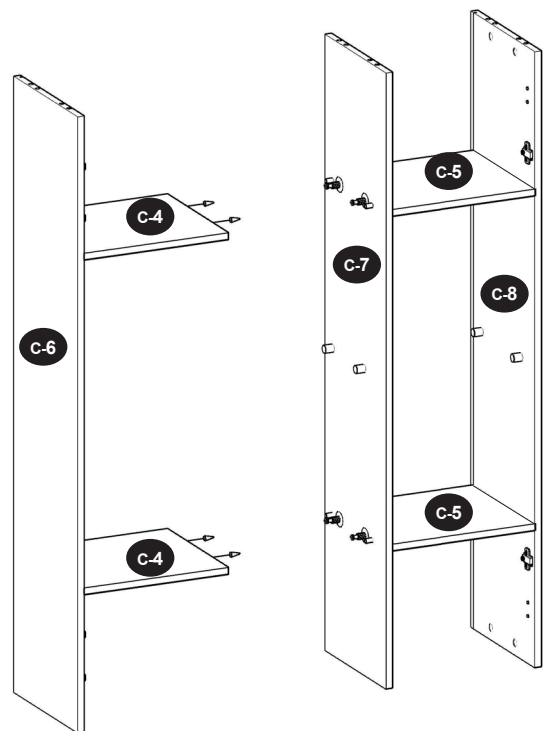
CR7/15



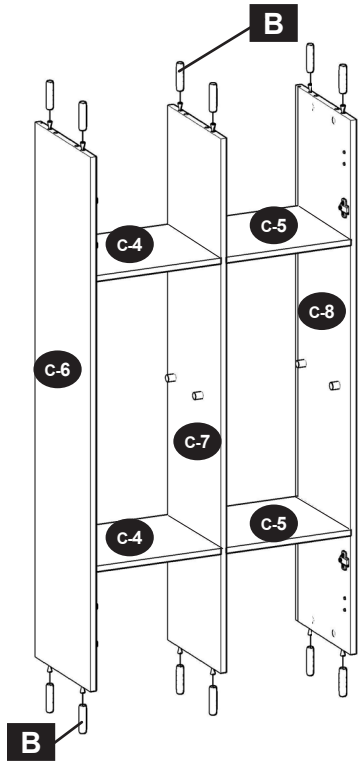
CR8/15



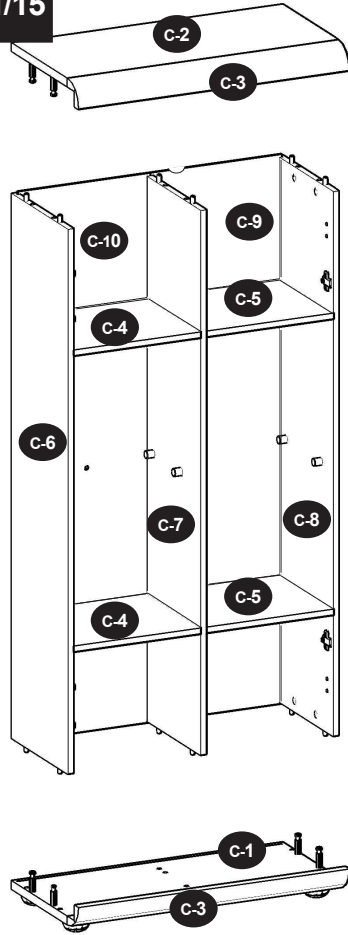
CR9/15



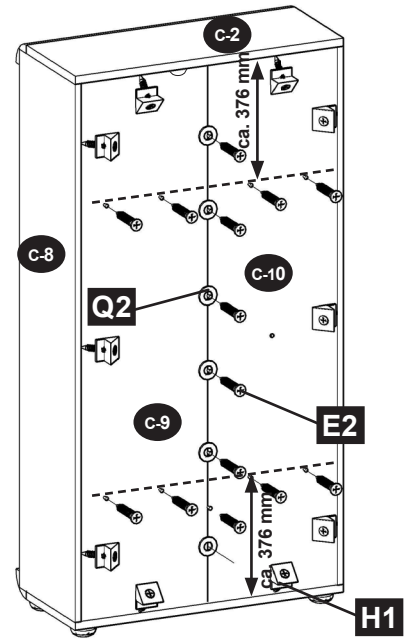
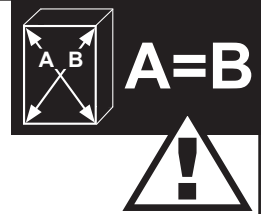
CR10/15



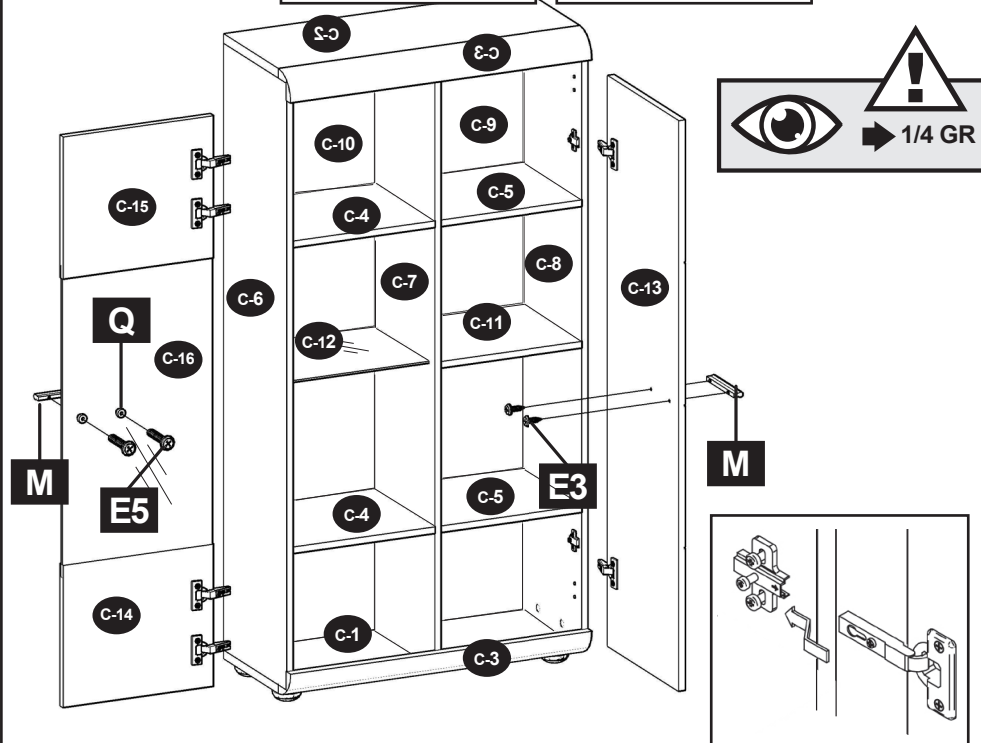
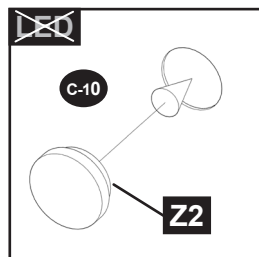
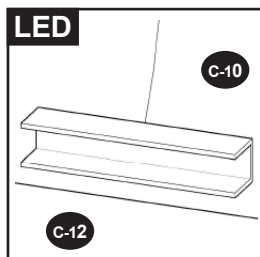
CR11/15



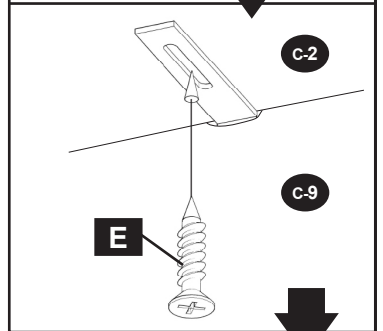
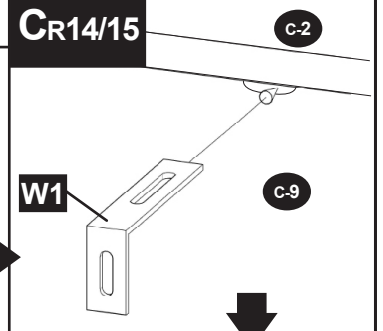
CR12/15



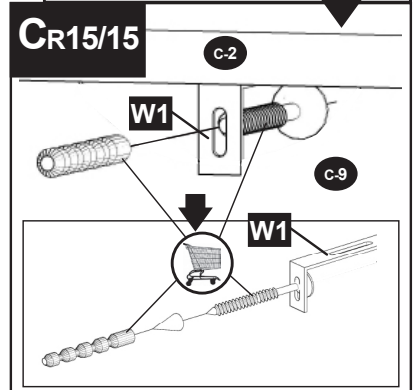
CR13/15



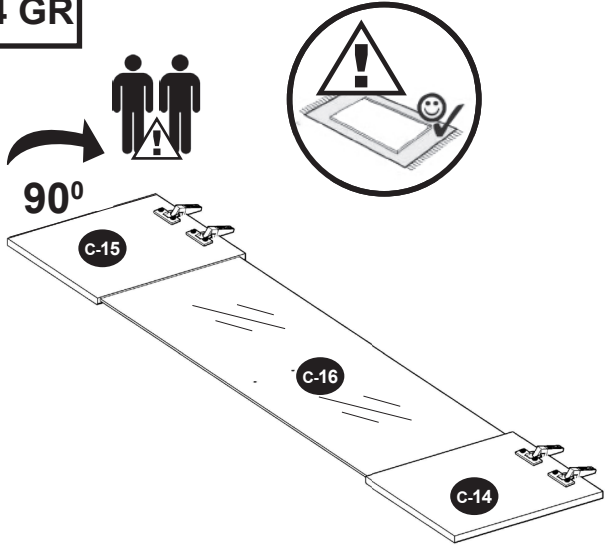
CR14/15



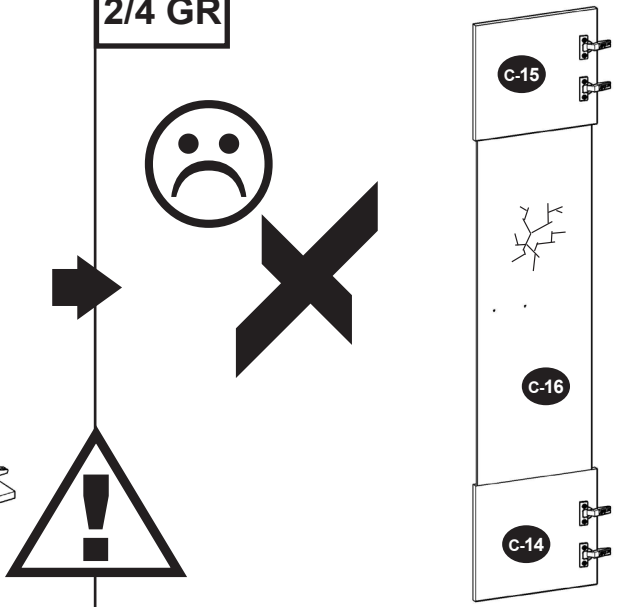
CR15/15



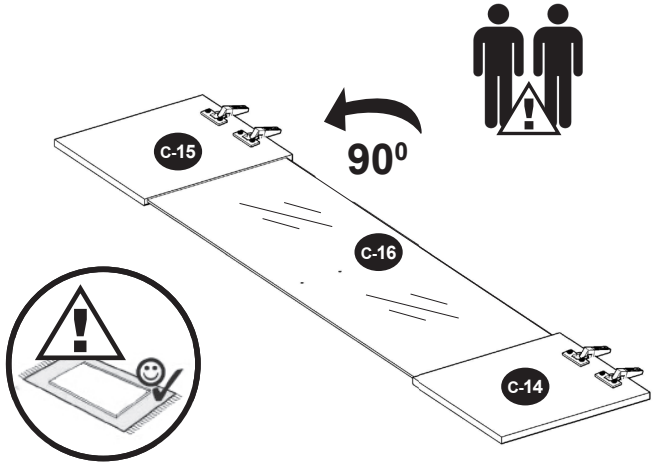
1/4 GR



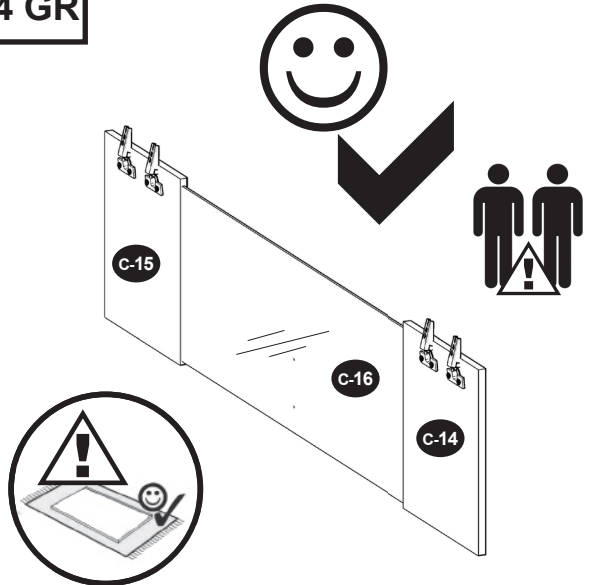
2/4 GR



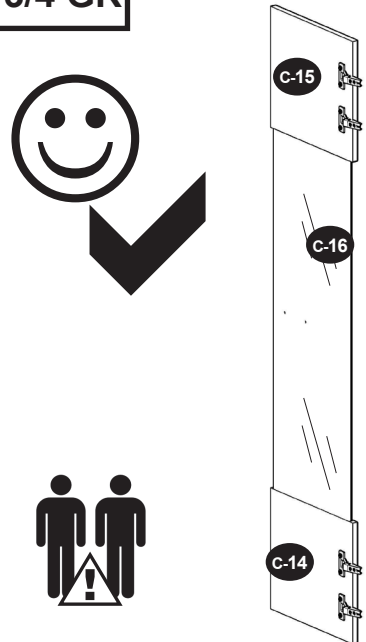
1/4 GR



2/4 GR



3/4 GR



4/4 GR

