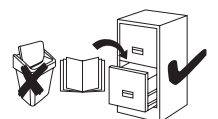
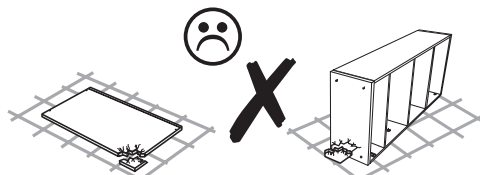
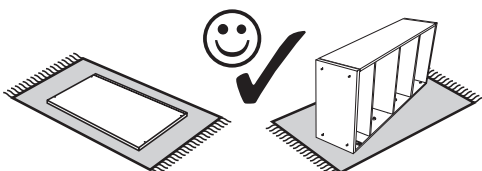
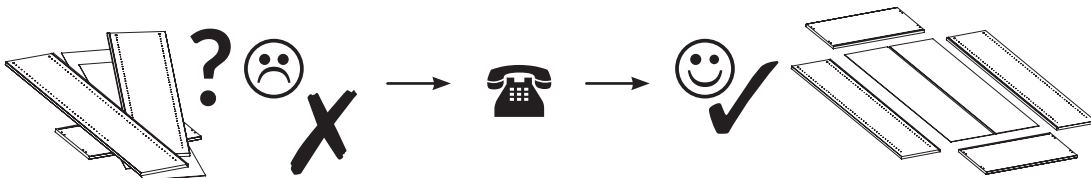
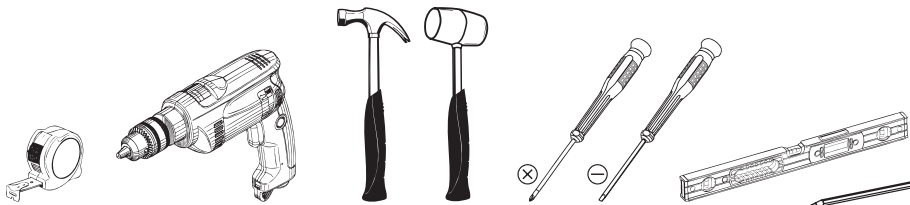
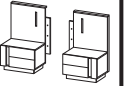
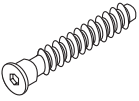
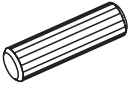
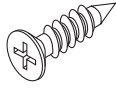


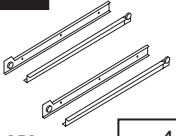
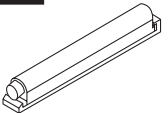
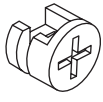
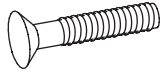


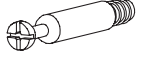
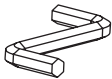


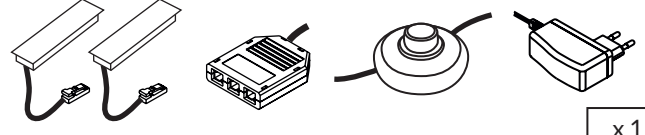
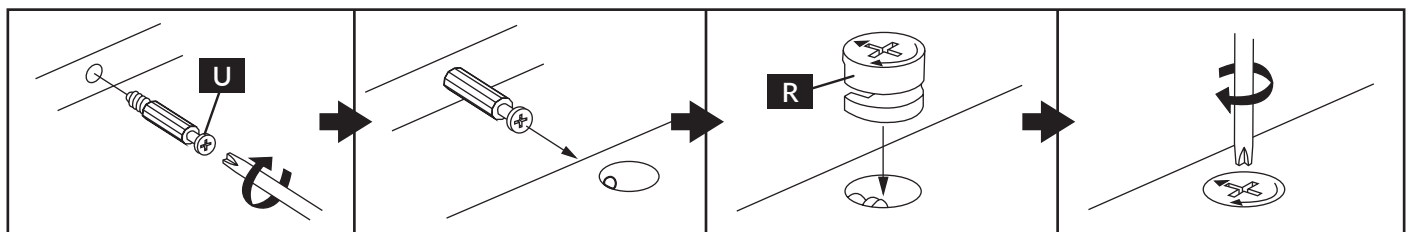
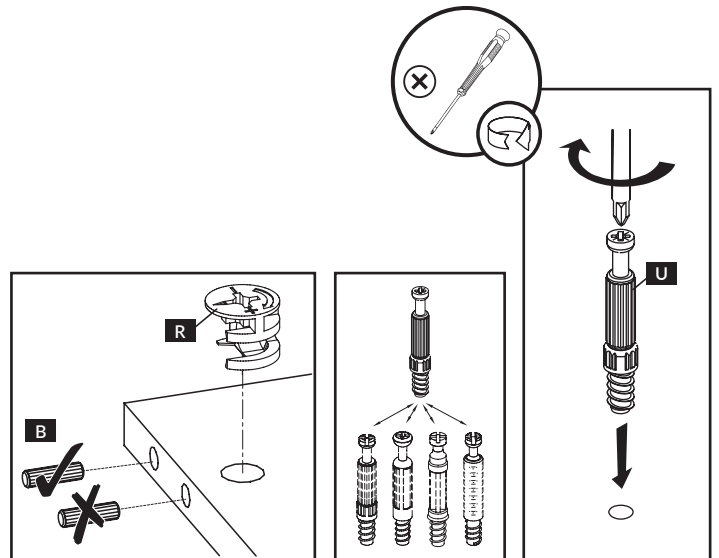
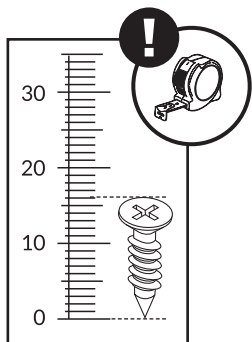


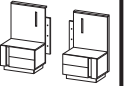
3,5



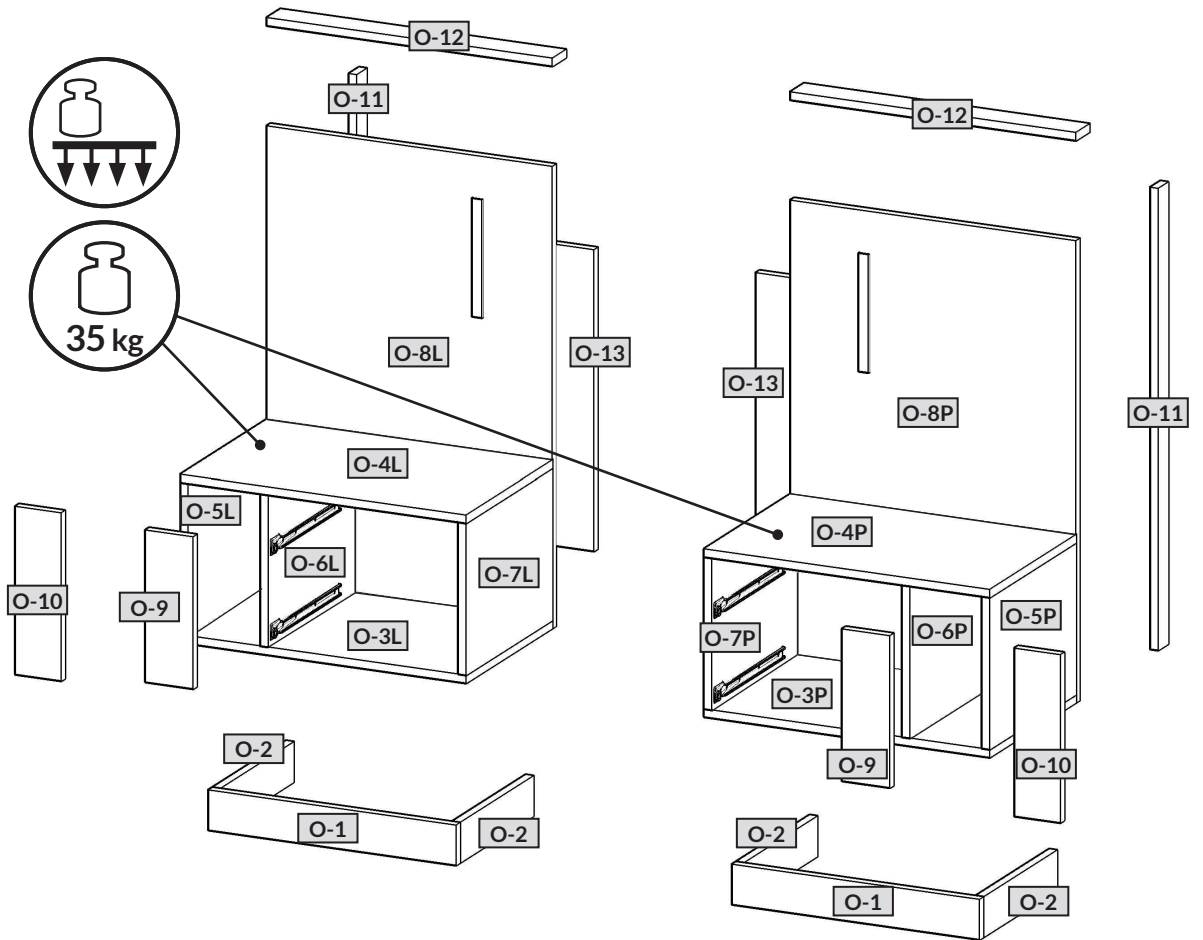
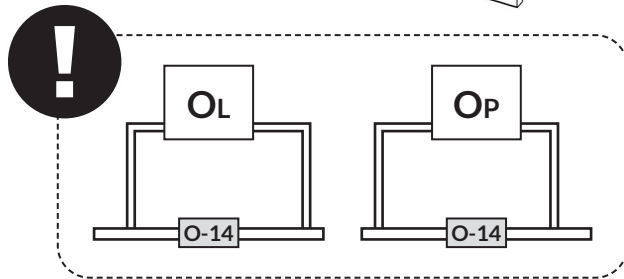
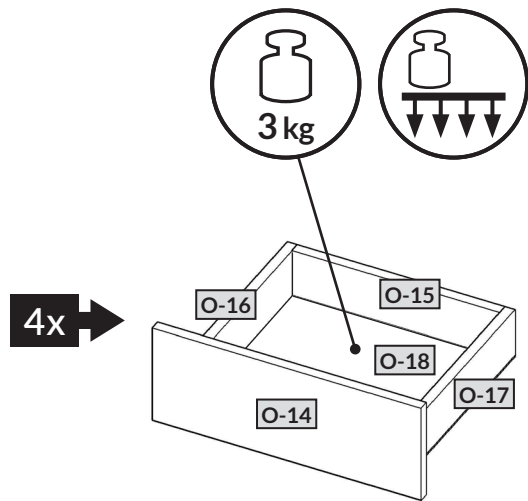


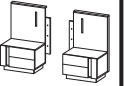
<p><b>A</b></p>  <p>7 x 50 mm x 16</p>	<p><b>B</b></p>  <p>8 x 32 mm x 70</p>	<p><b>E</b></p>  <p>3,5 x 13 mm x 8</p>	<p><b>E2</b></p>  <p>3 x 20 mm x 36</p>	<p><b>G2</b></p>  <p>x 8</p>	<p><b>K</b></p>  <p>L=350 mm x 4</p>
<p><b>O2</b></p>  <p>x 4</p>	<p><b>R</b></p>  <p>H=11 mm x 28</p>	<p><b>RB</b></p>  <p>x 16</p>	<p><b>T3</b></p>  <p>5 x 9 mm x 16</p>	<p><b>T5</b></p>  <p>6,3 x 25 mm x 12</p>	<p><b>U</b></p>  <p>L=24,3 mm x 28</p>
<p><b>XA</b></p>  <p>x 1</p>	<p><b>XG</b></p>  <p>x 1</p>	<p><b>ZR</b></p>  <p>Ø 15 x 16</p>	<p><b>LED</b></p>  <p>x 1</p>		



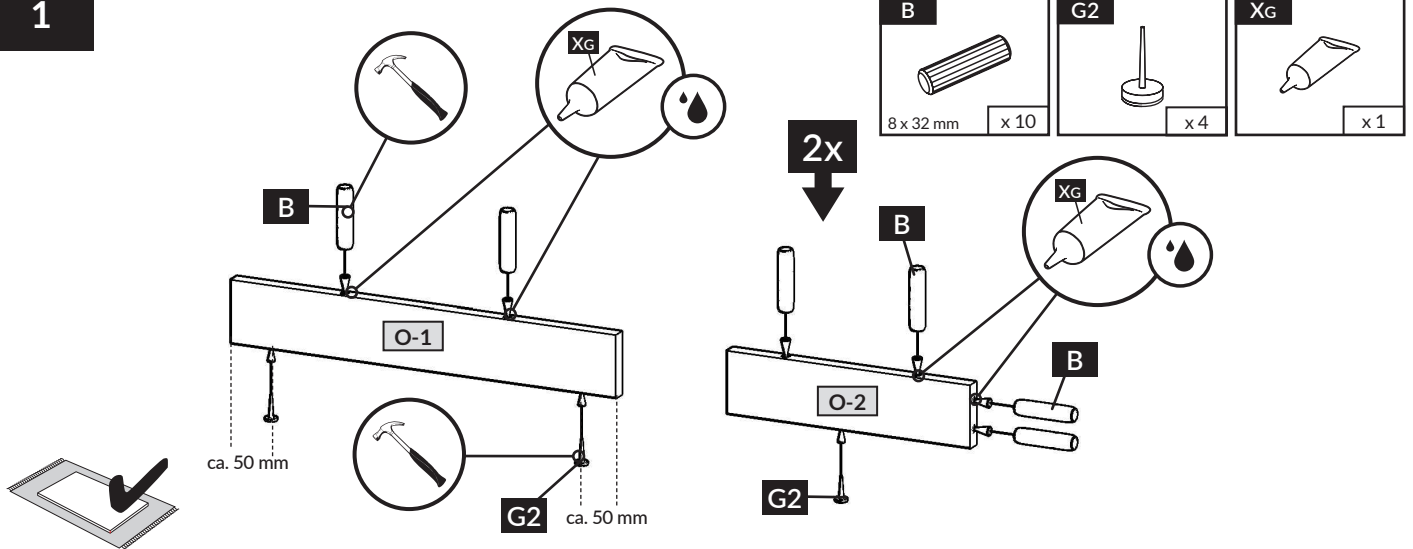


nr	↔ [mm]	↓ [mm]	∅ [mm]	Menge	Colli
O-1	520	80	16	x2	1/1
O-2	328	80	16	x4	1/1
O-3	600	384	22	x2	1/1
O-4	600	384	22	x2	1/1
O-5	291	384	16	x2	1/1
O-6	291	384	16	x2	1/1
O-7	291	384	16	x2	1/1
O-8	600	920	16	x2	1/1
O-9	100	291	16	x2	1/1
O-10	96	334	16	x2	1/1
O-11	920	44	16	x2	1/1
O-12	600	60	16	x2	1/1
O-13	600	160	16	x2	1/1
O-14	444	164	16	x4	1/1
O-15	344	80	16	x4	1/1
O-16	350	80	16	x4	1/1
O-17	350	80	16	x4	1/1
O-18	374	356	3	x4	1/1

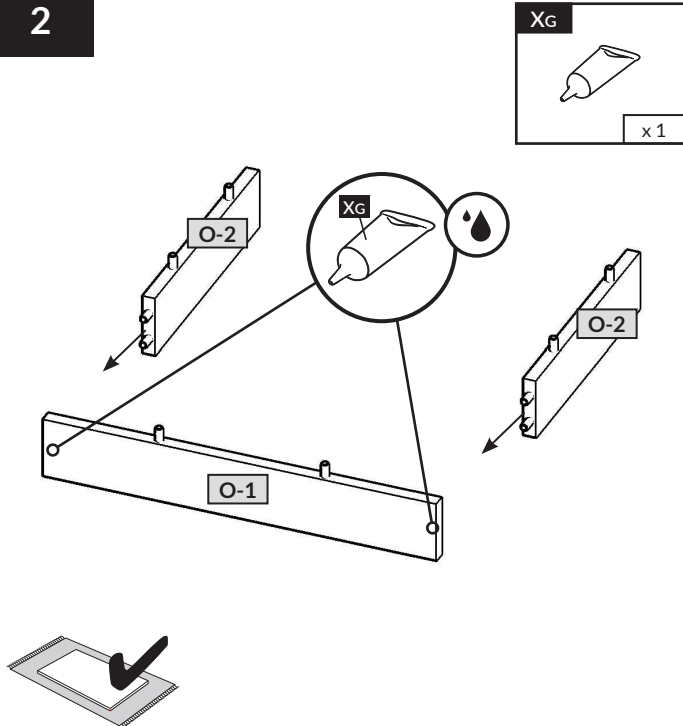




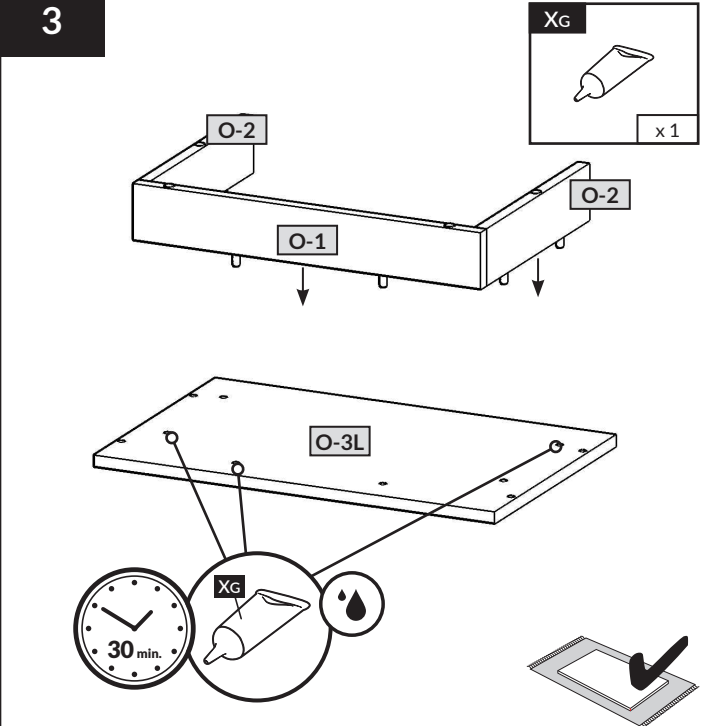
1



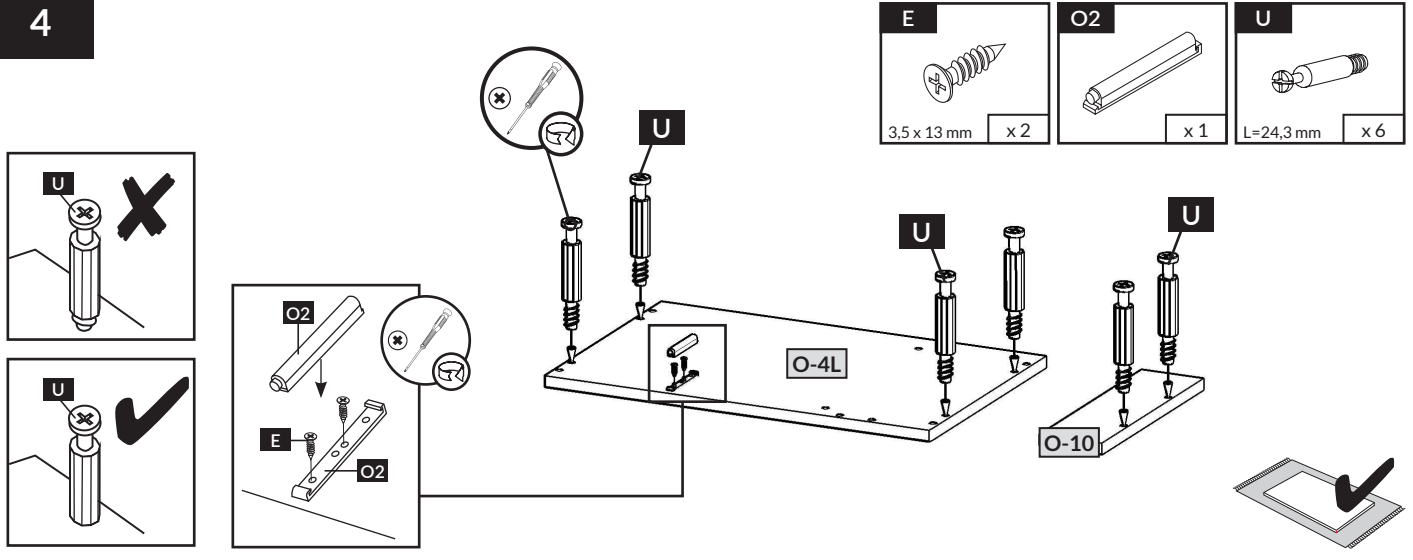
2

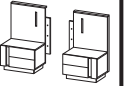


3



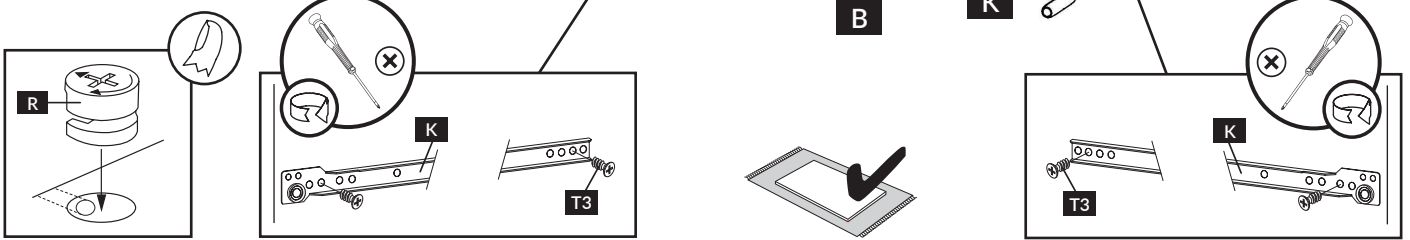
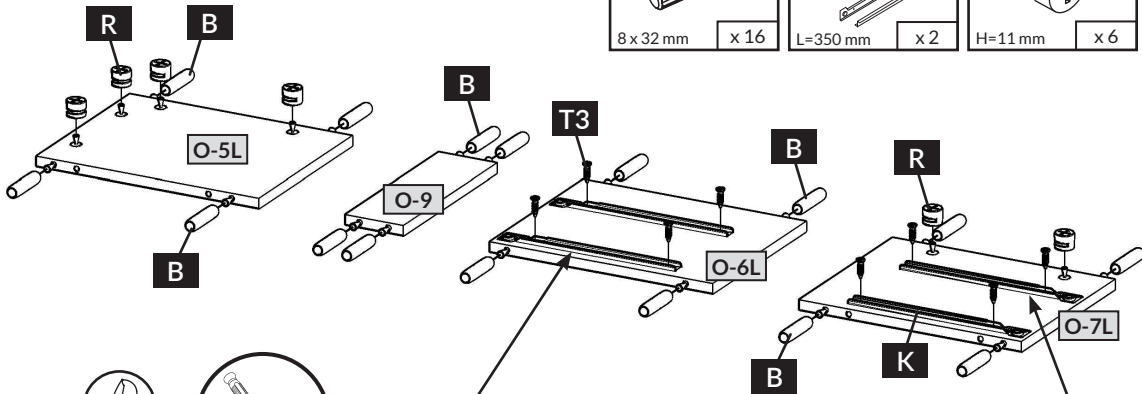
4





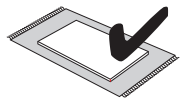
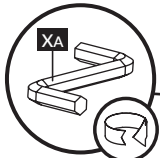
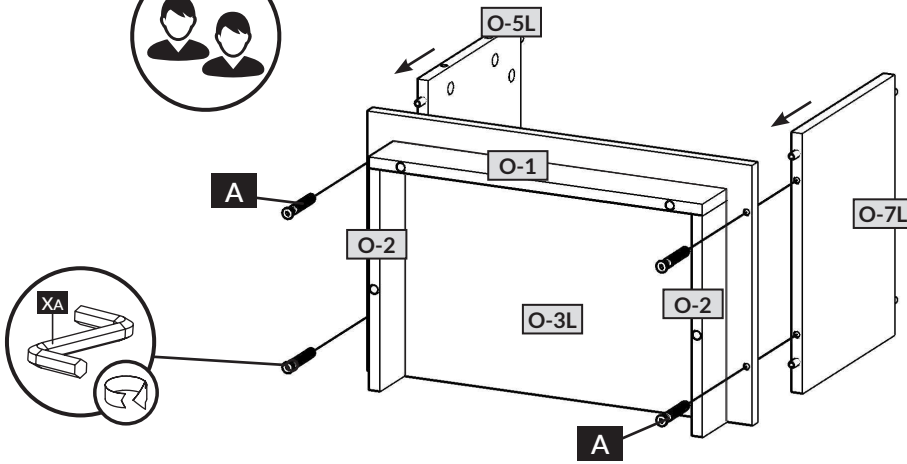
5

- B** 8 x 32 mm x 16
- K** L=350 mm x 2
- R** H=11 mm x 6
- T3** 5 x 9 mm x 8



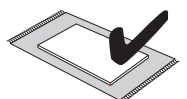
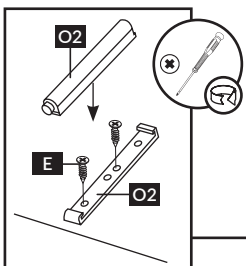
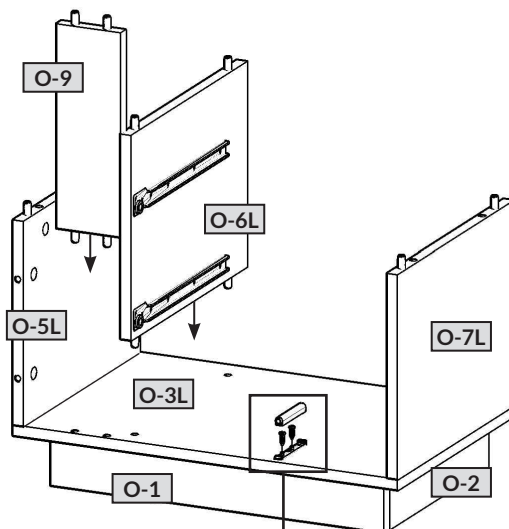
6

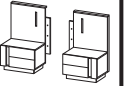
- A** 7 x 50 mm x 4
- XA** x 1



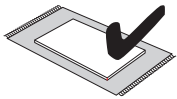
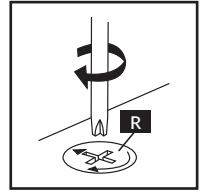
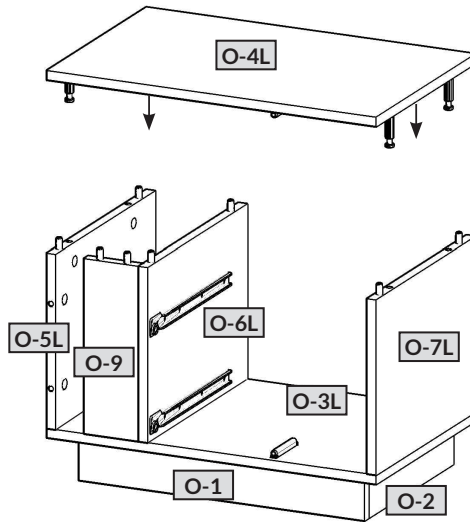
7

- E** 3,5 x 13 mm x 2
- O2** x 1

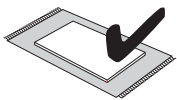
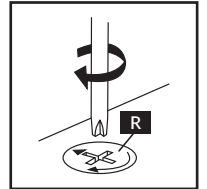
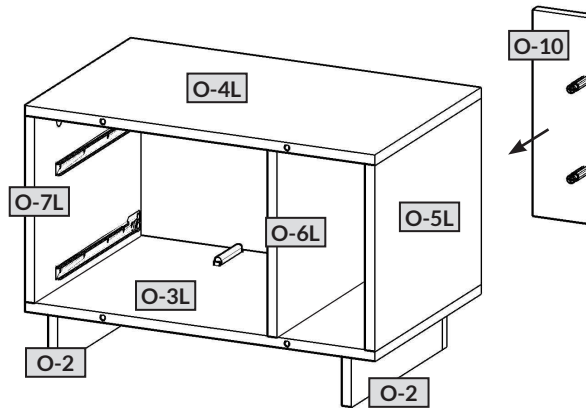




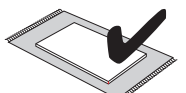
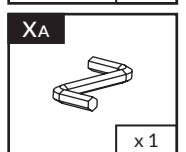
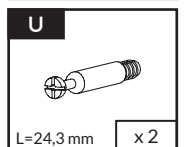
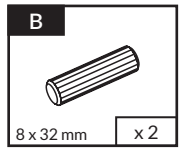
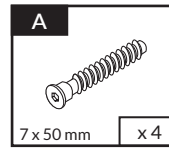
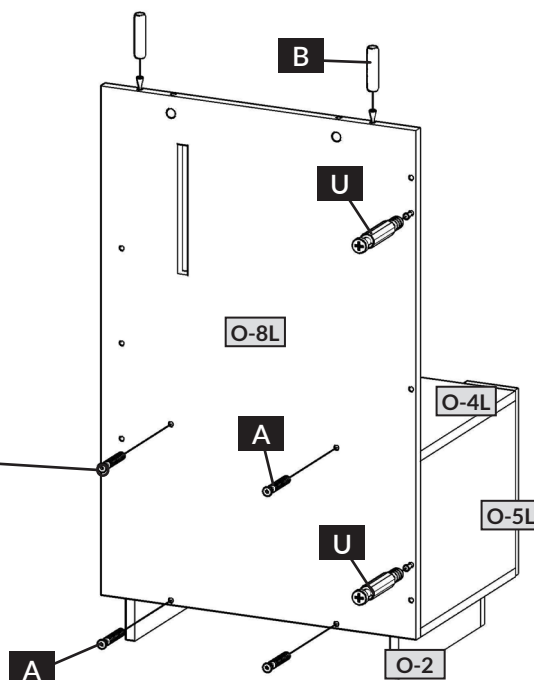
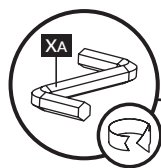
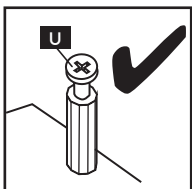
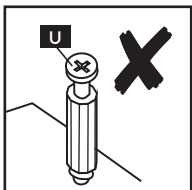
8

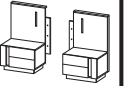


9

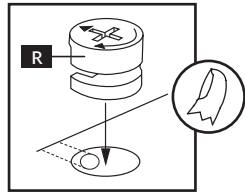
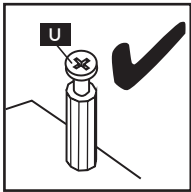
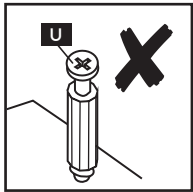
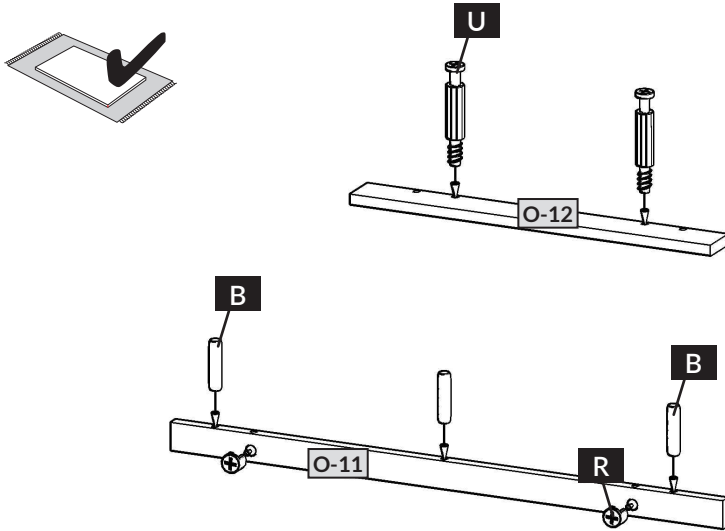
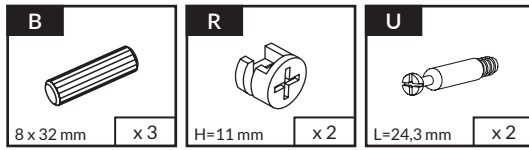


10

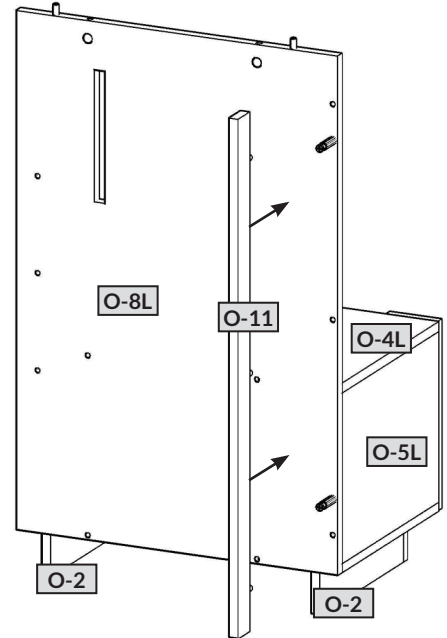
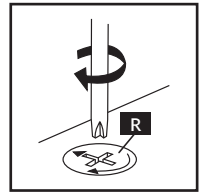




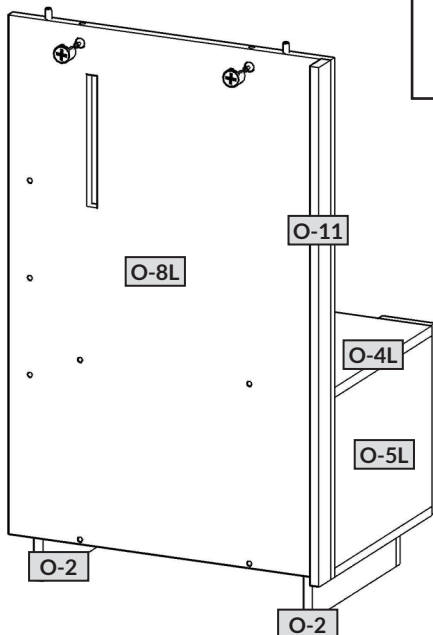
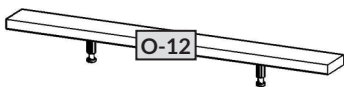
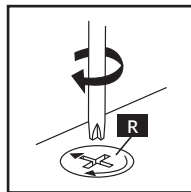
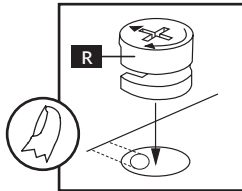
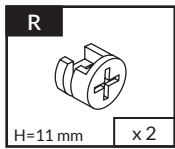
11



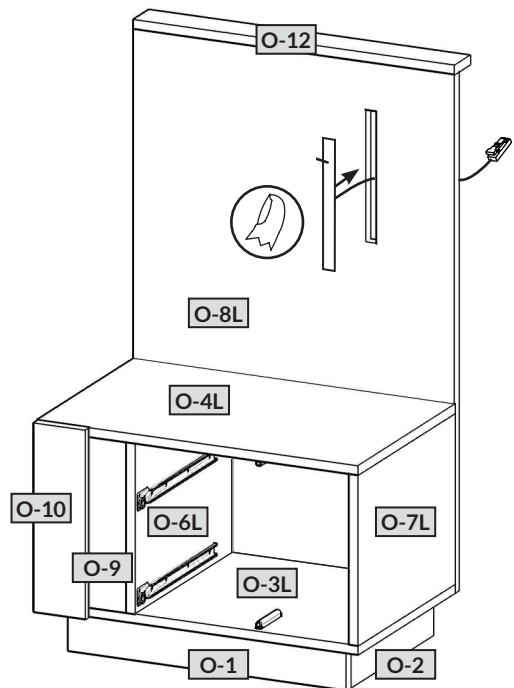
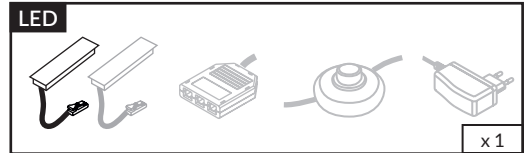
12

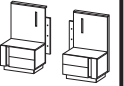


13

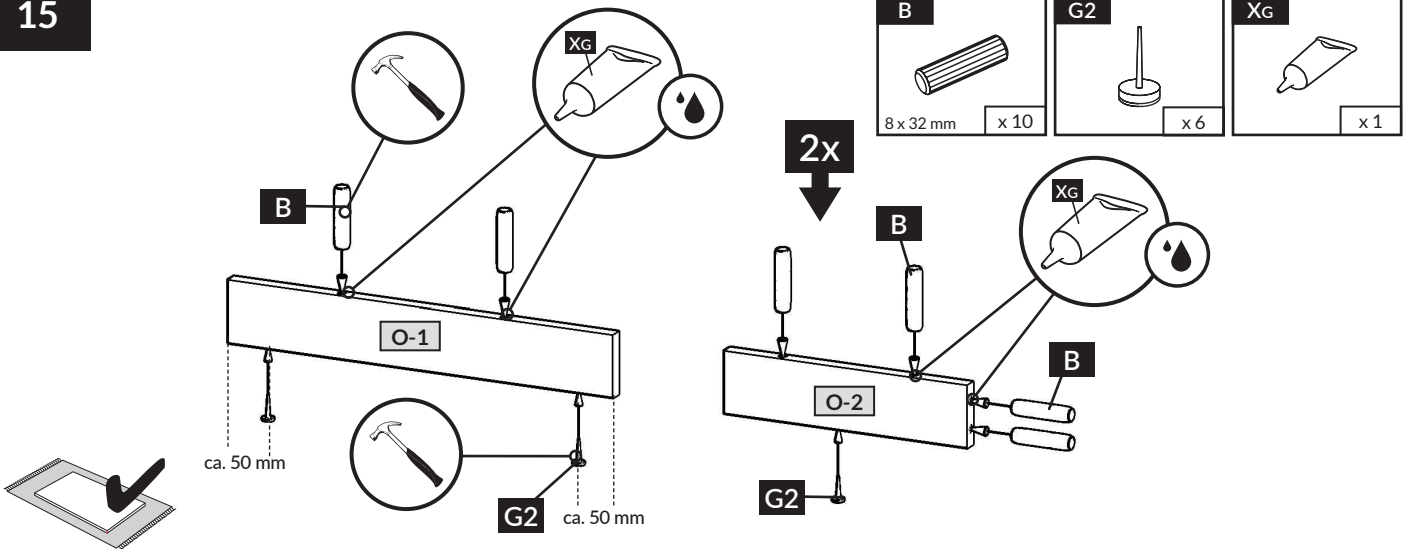


14

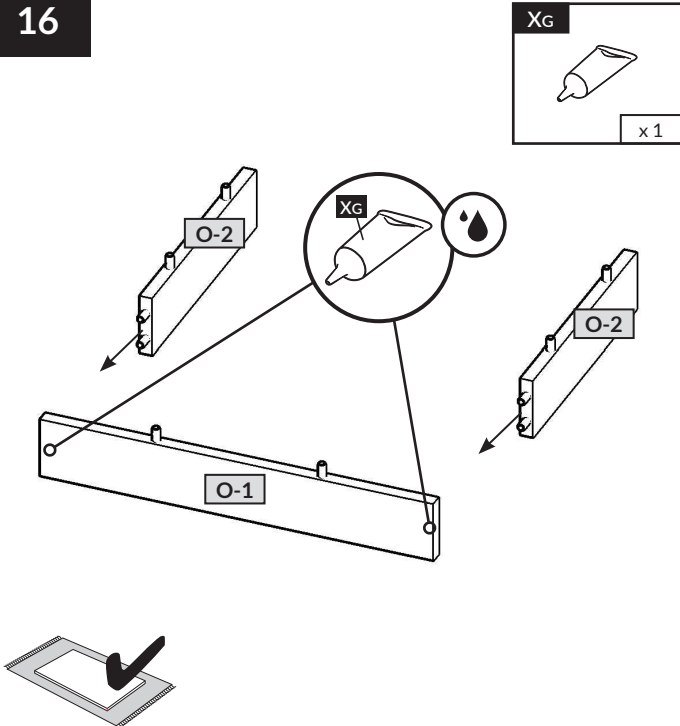




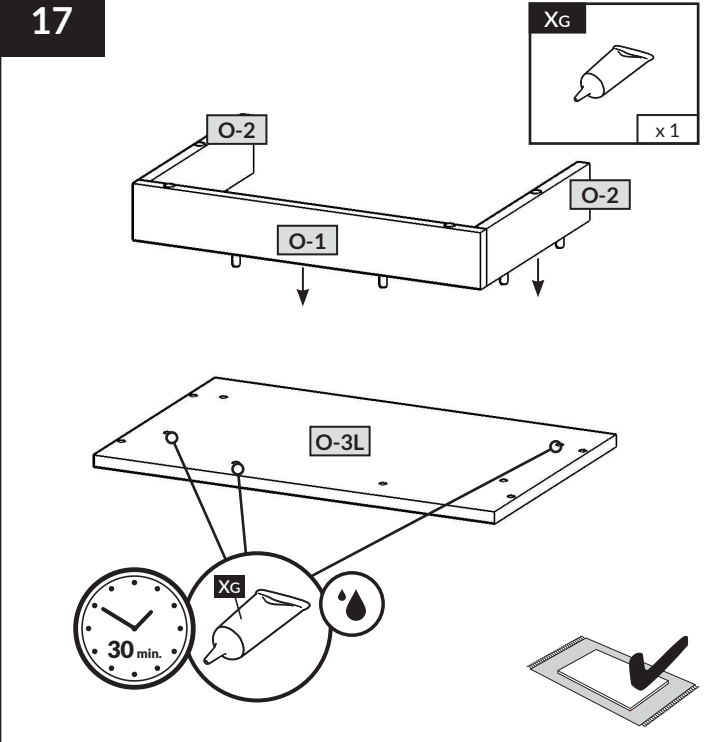
15



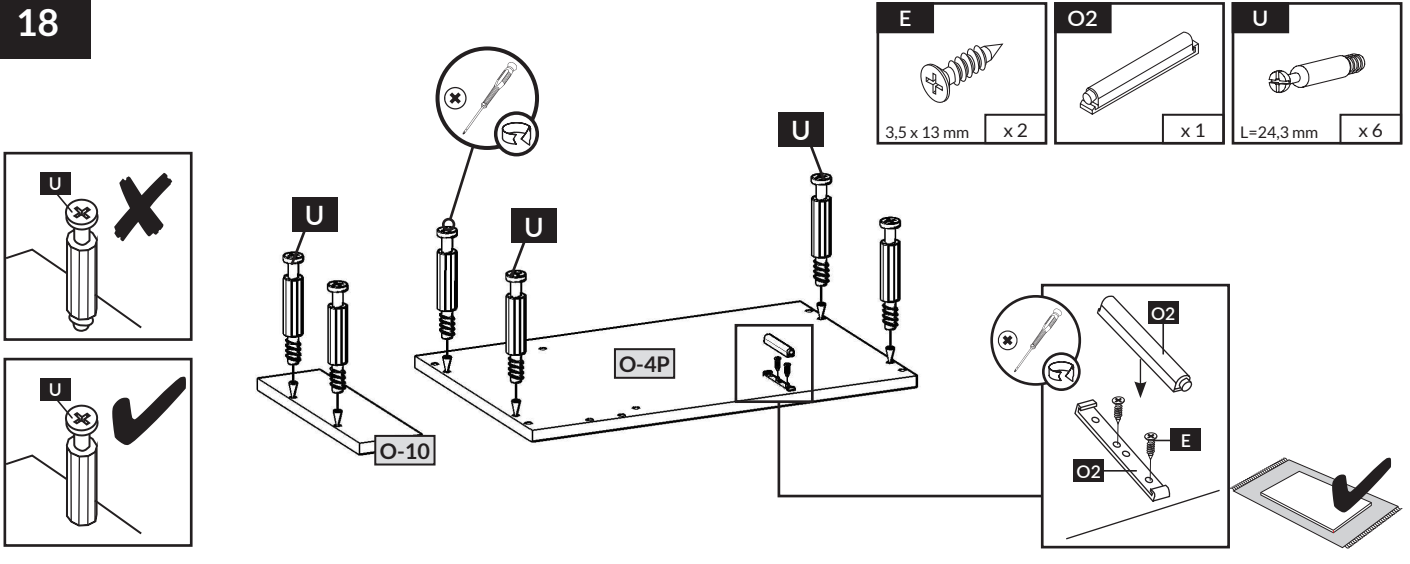
16



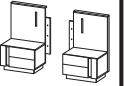
17



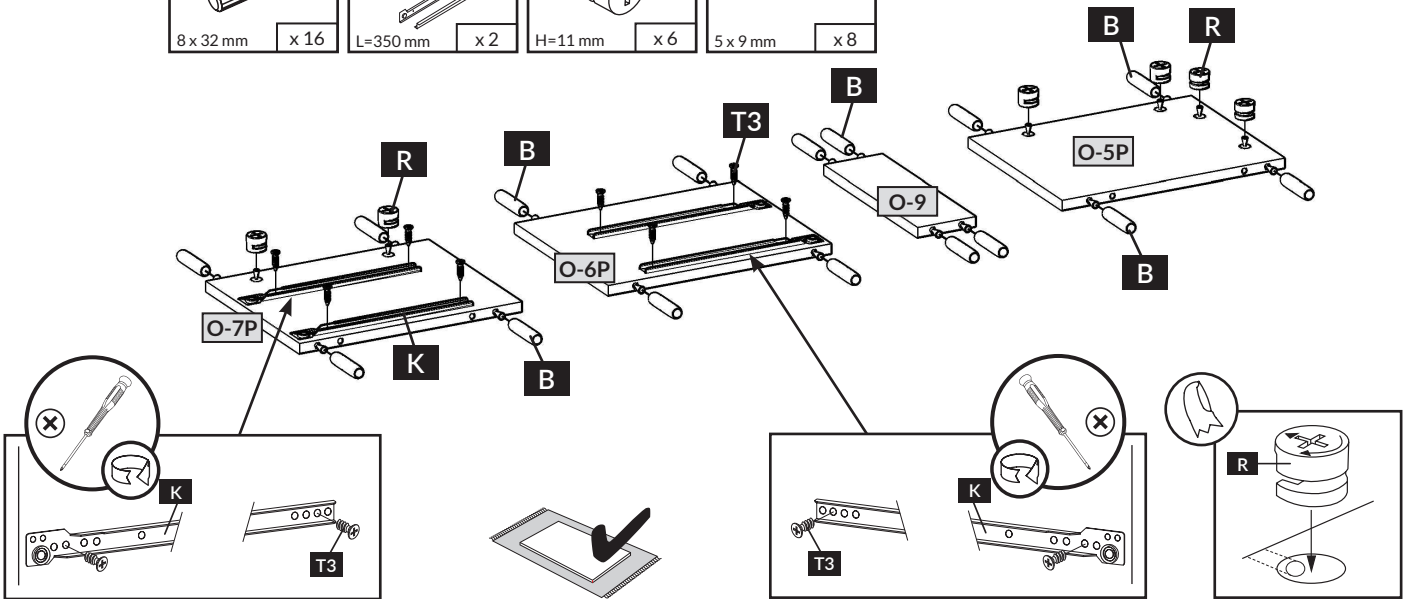
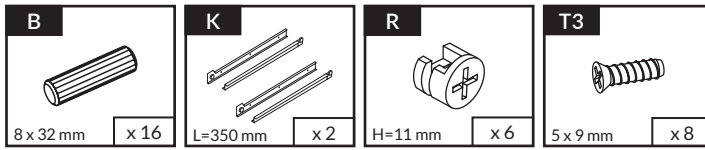
18



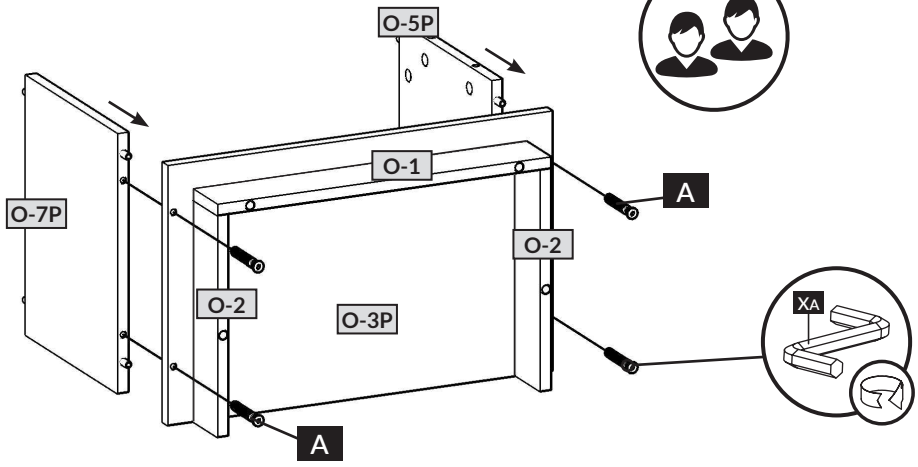
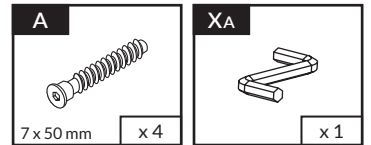




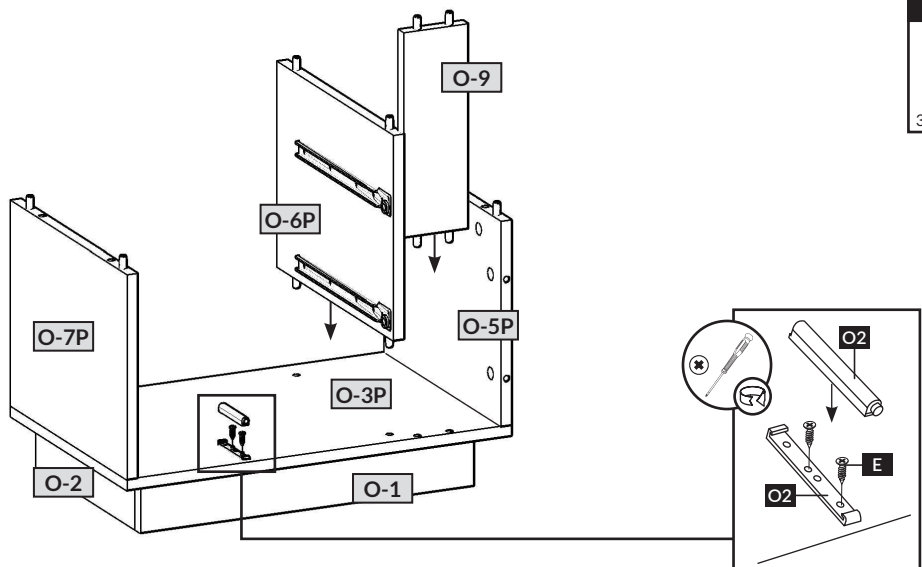
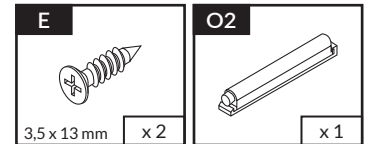
19

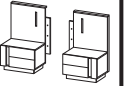


20

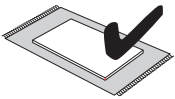
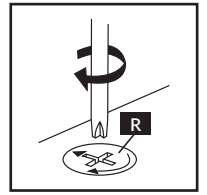
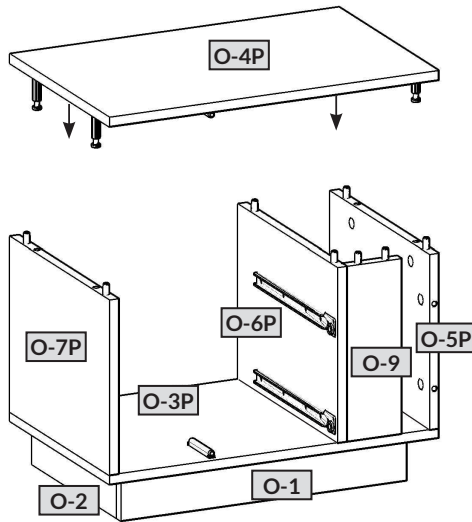


21

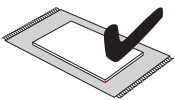
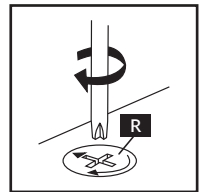
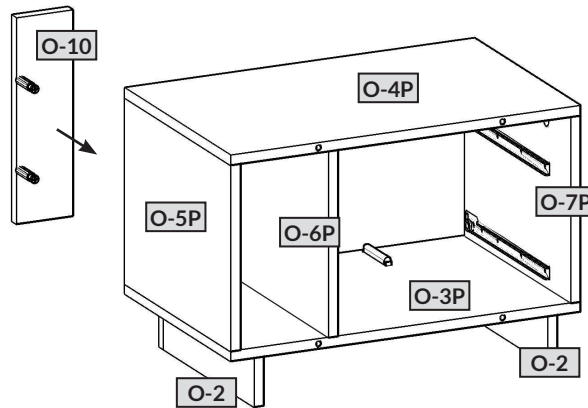




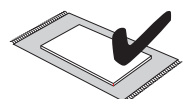
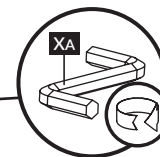
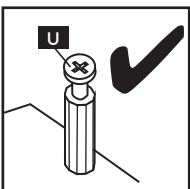
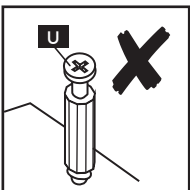
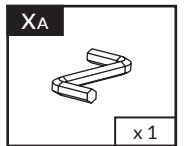
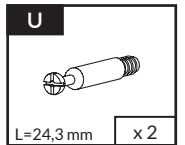
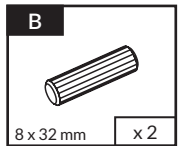
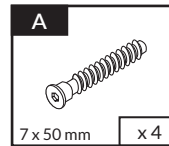
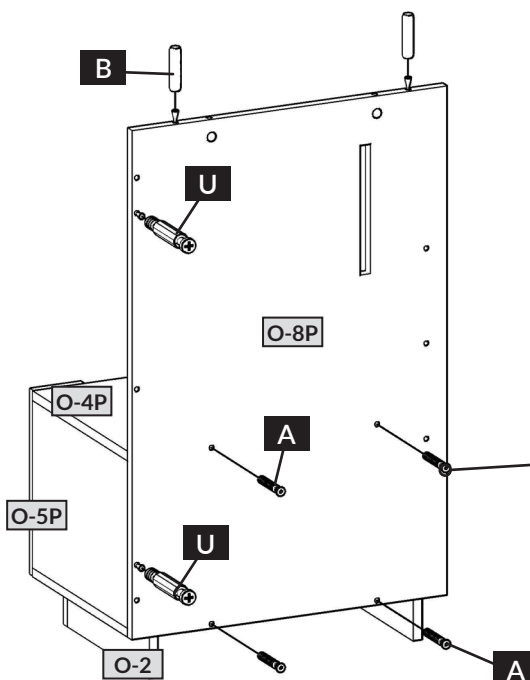
22

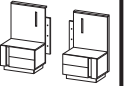


23

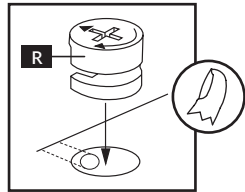
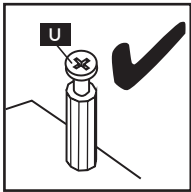
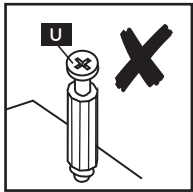
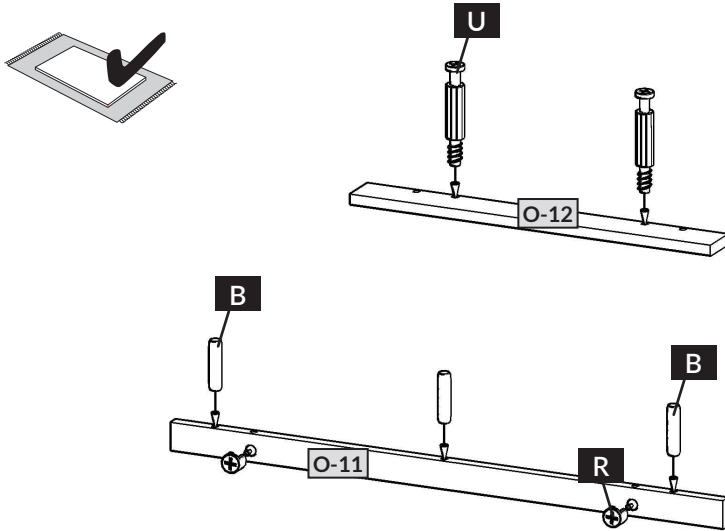
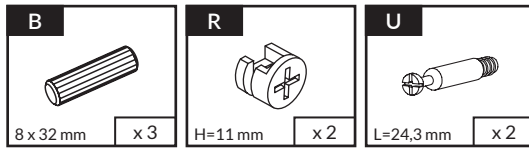


24

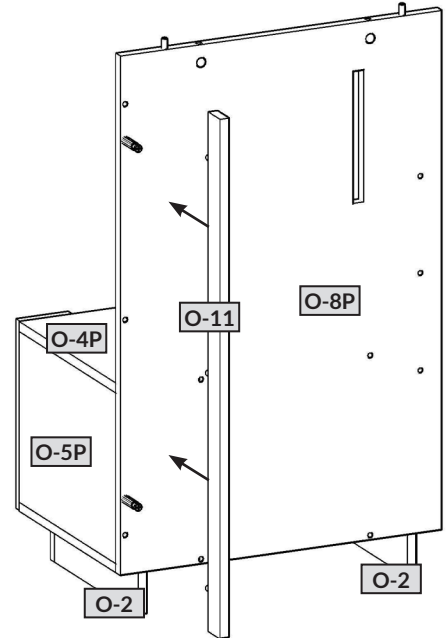
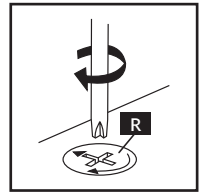




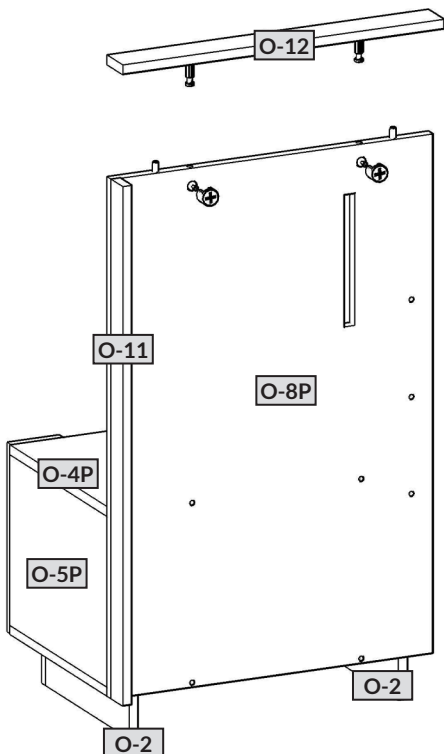
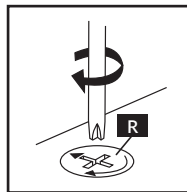
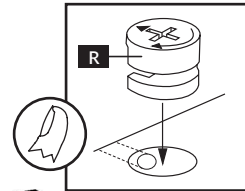
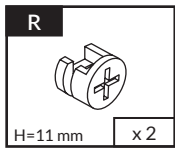
25



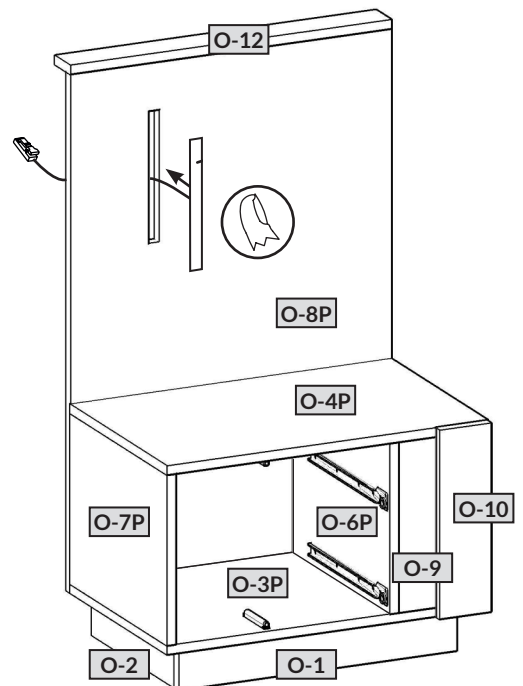
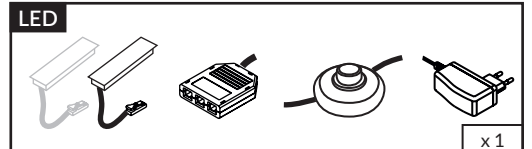
26

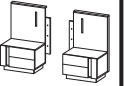


27

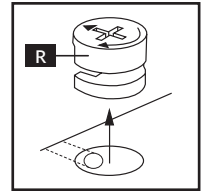
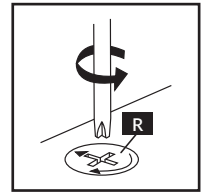
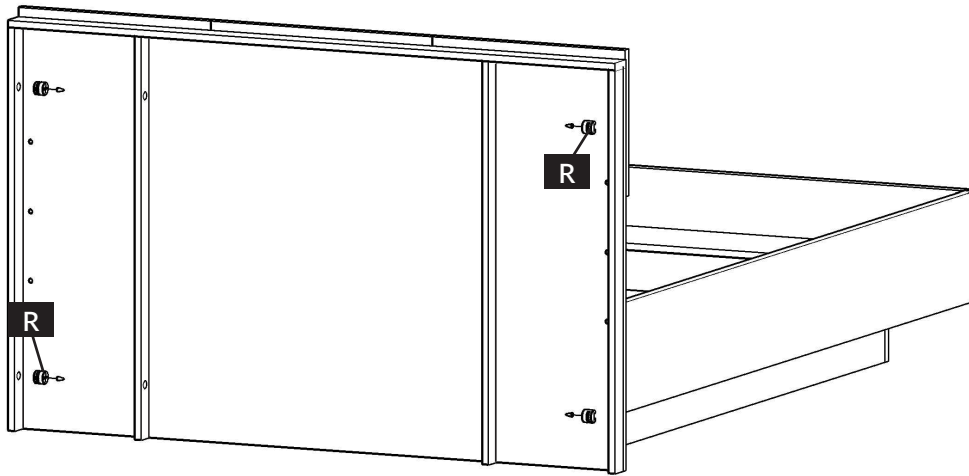


28

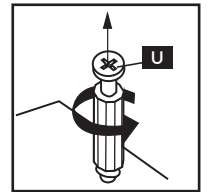
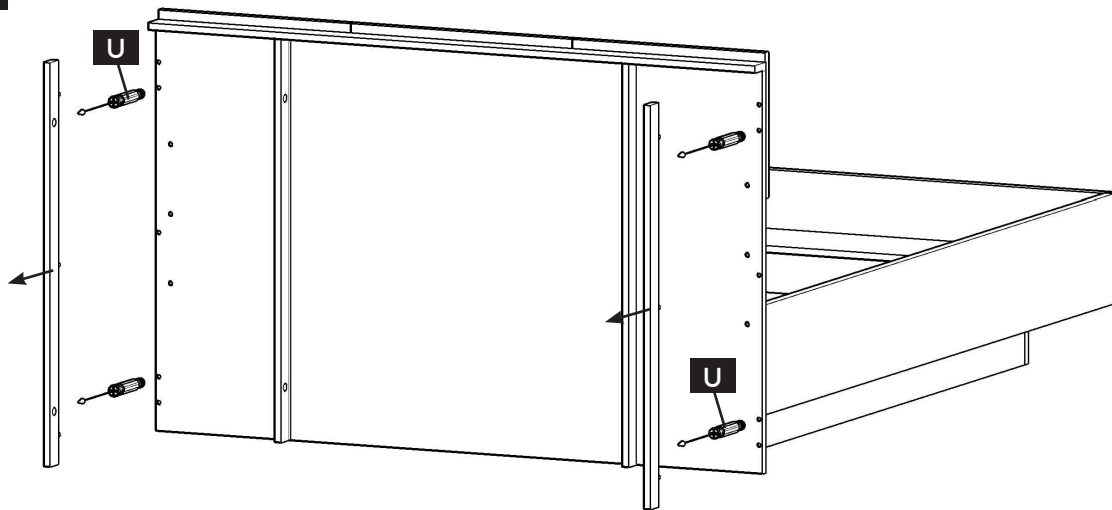




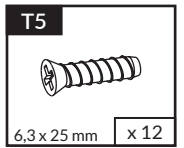
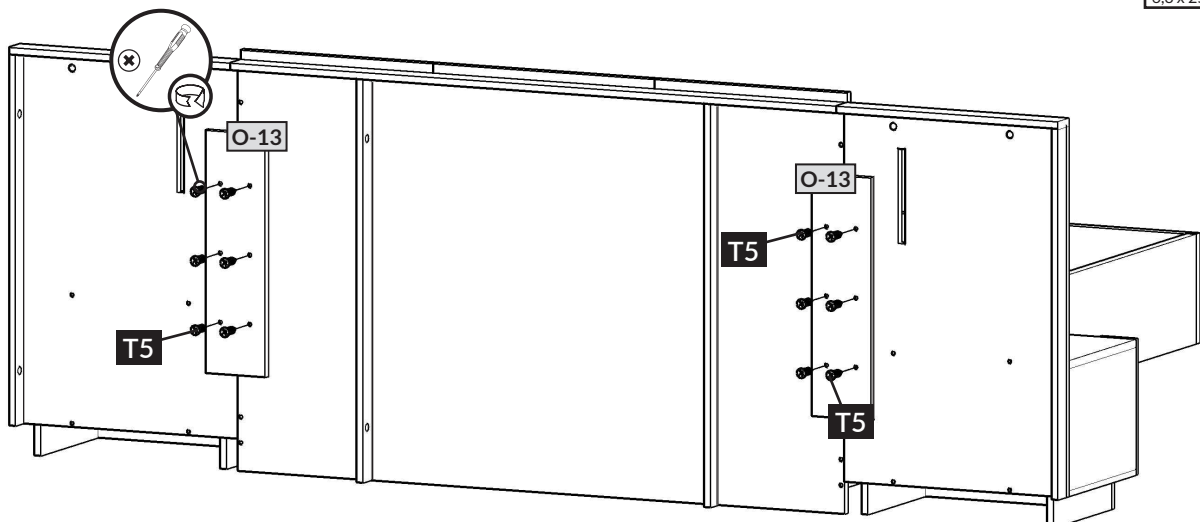
29

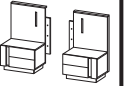


30

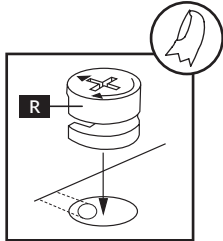
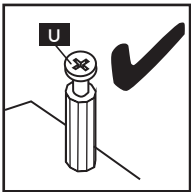
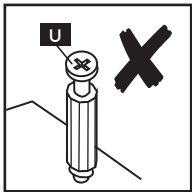
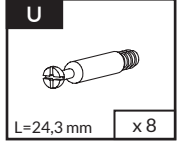
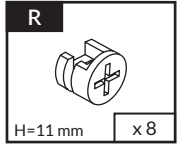
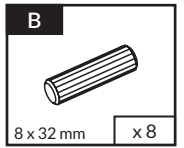
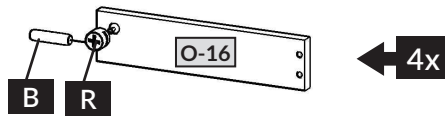
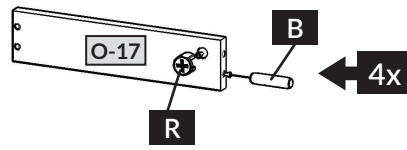
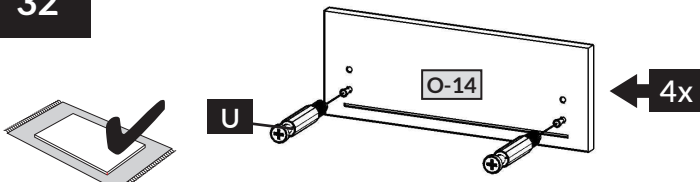


31

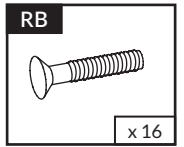
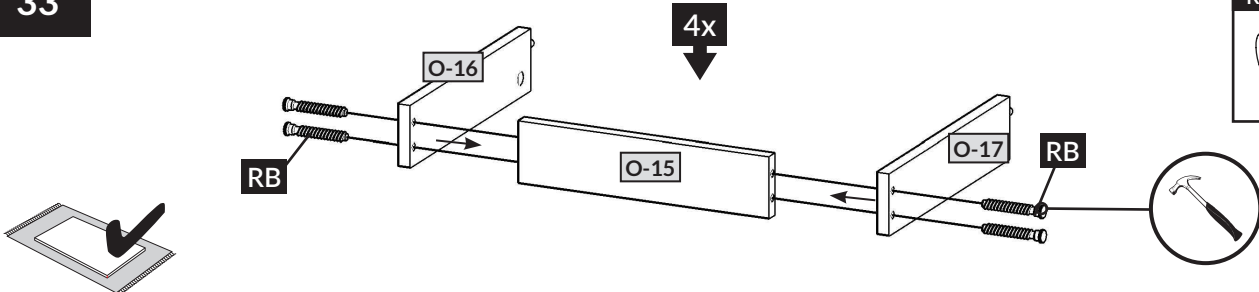




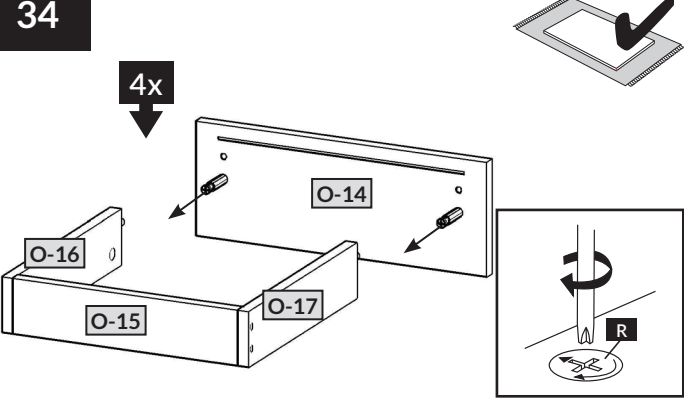
32



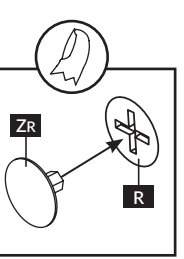
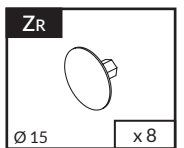
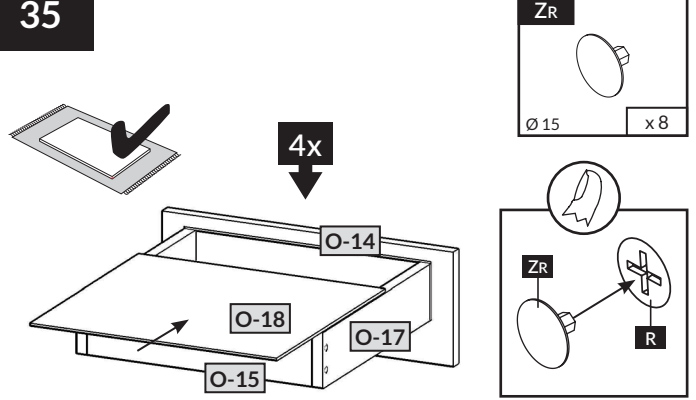
33



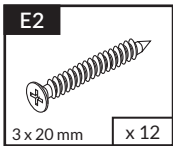
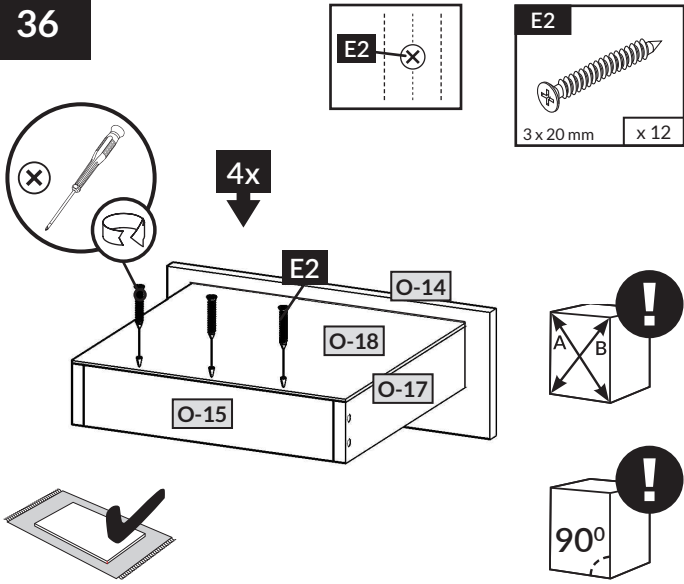
34



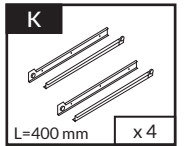
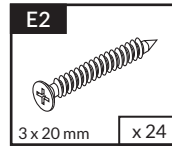
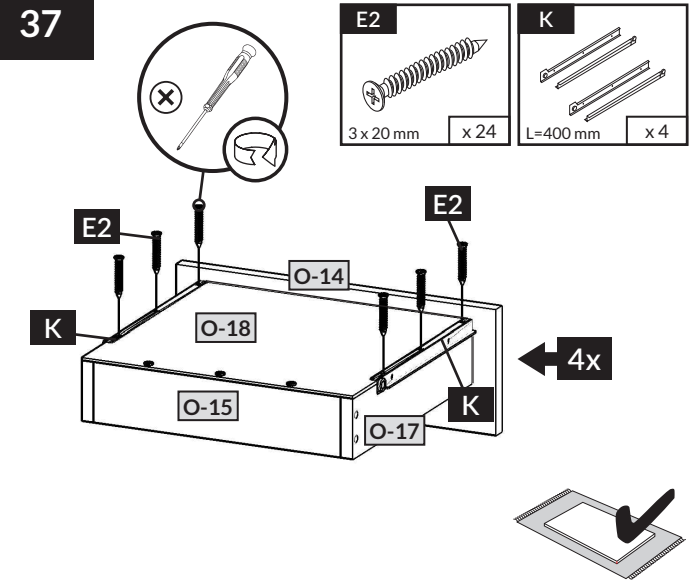
35

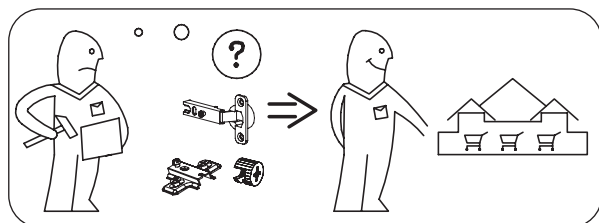
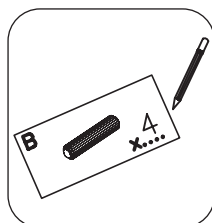
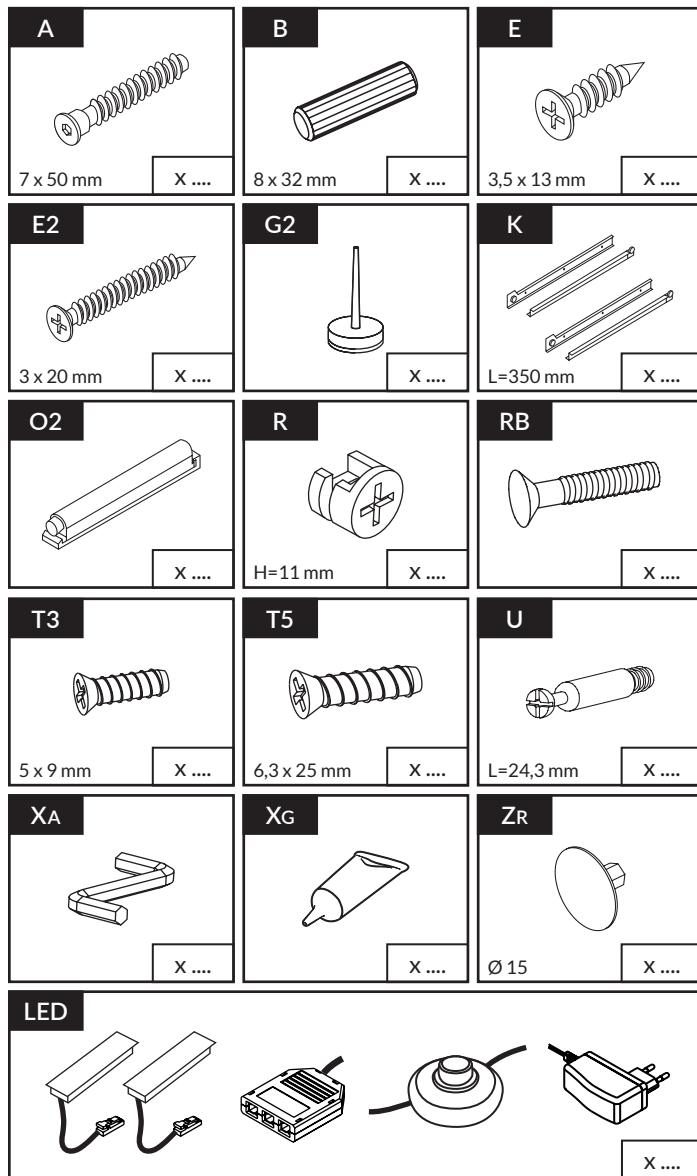


36



37





nr	↔ [mm]	↓ [mm]	↗ [mm]	Menge	Colli
O-1	520	80	16	x2	1/1
O-2	328	80	16	x4	1/1
O-3	600	384	22	x2	1/1
O-4	600	384	22	x2	1/1
O-5	291	384	16	x2	1/1
O-6	291	384	16	x2	1/1
O-7	291	384	16	x2	1/1
O-8	600	920	16	x2	1/1
O-9	100	291	16	x2	1/1
O-10	96	334	16	x2	1/1
O-11	920	44	16	x2	1/1
O-12	600	60	16	x2	1/1
O-13	600	160	16	x2	1/1
O-14	444	164	16	x4	1/1
O-15	344	80	16	x4	1/1
O-16	350	80	16	x4	1/1
O-17	350	80	16	x4	1/1
O-18	374	356	3	x4	1/1

