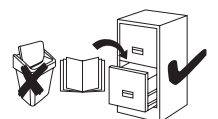
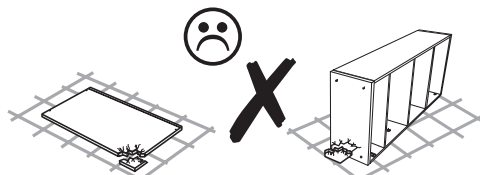
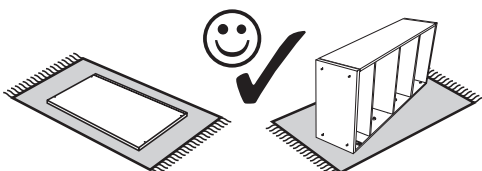
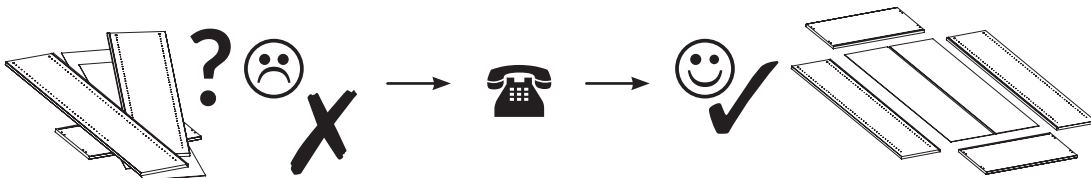
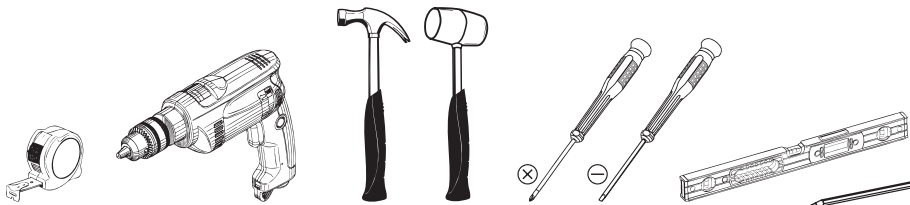
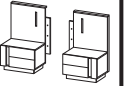
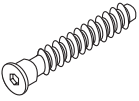
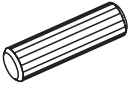
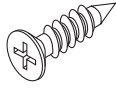


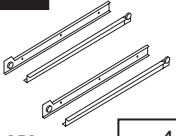
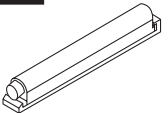
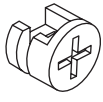
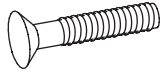


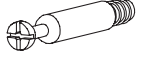
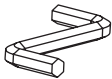


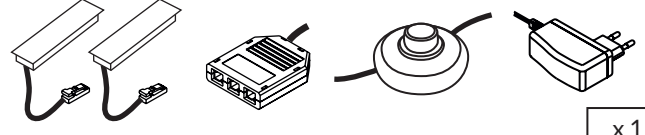
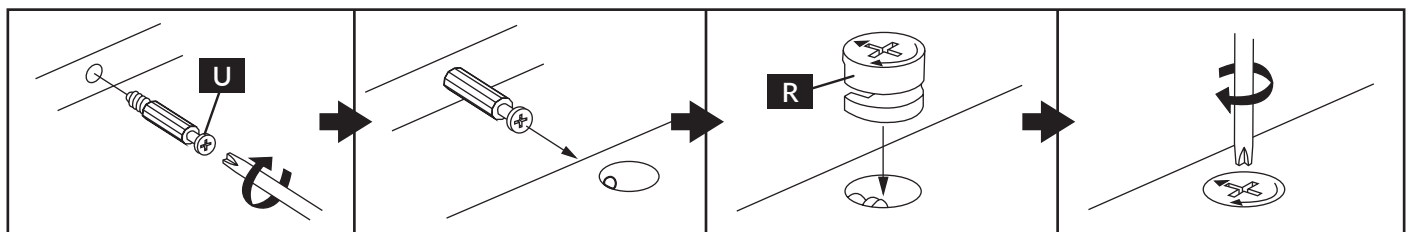
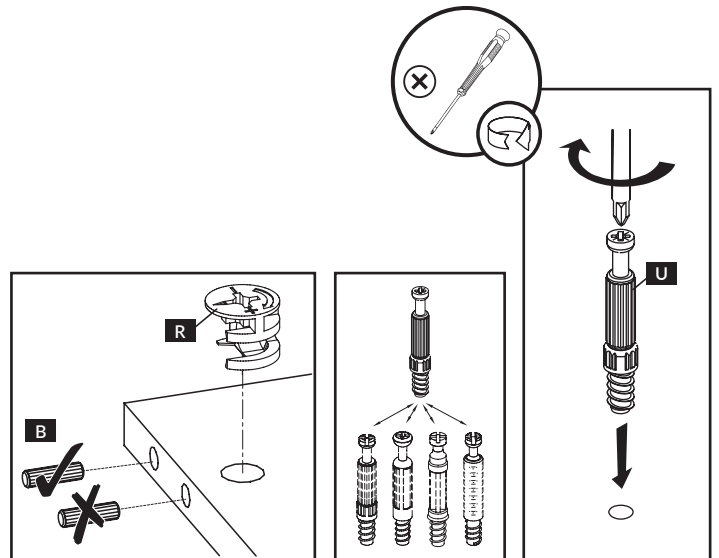
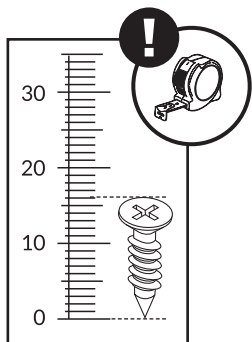


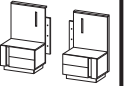
3,5



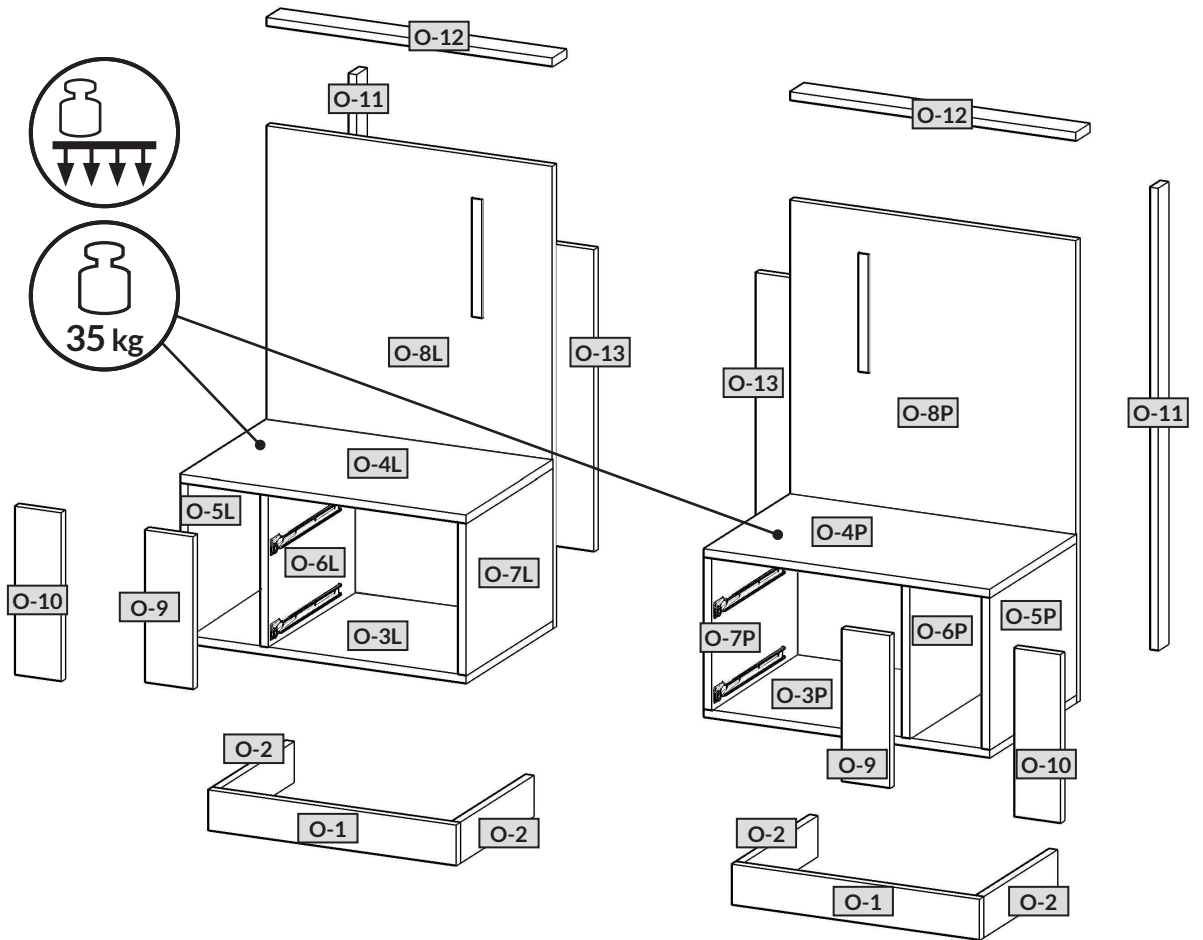
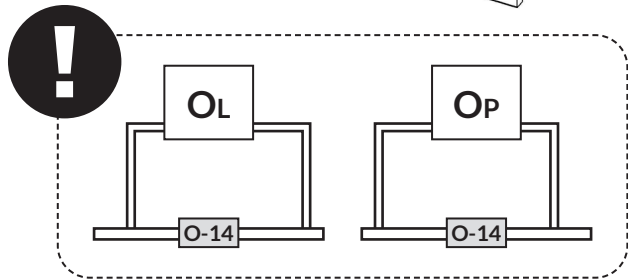
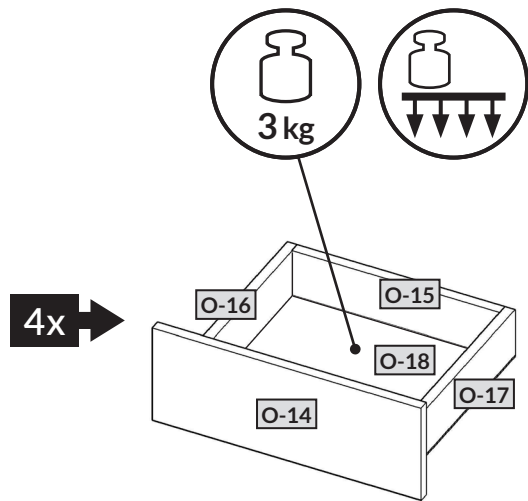


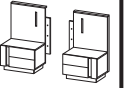
|   |   |  |  |  |   |
|---|---|--|--|--|---|
| <p><b>A</b></p>  <p>7 x 50 mm x 16</p> | <p><b>B</b></p>  <p>8 x 32 mm x 70</p> | <p><b>E</b></p>  <p>3,5 x 13 mm x 8</p> | <p><b>E2</b></p>  <p>3 x 20 mm x 36</p> | <p><b>G2</b></p>  <p>x 8</p>              | <p><b>K</b></p>  <p>L=350 mm x 4</p>   |
| <p><b>O2</b></p>  <p>x 4</p>           | <p><b>R</b></p>  <p>H=11 mm x 28</p>   | <p><b>RB</b></p>  <p>x 16</p>           | <p><b>T3</b></p>  <p>5 x 9 mm x 16</p>  | <p><b>T5</b></p>  <p>6,3 x 25 mm x 12</p> | <p><b>U</b></p>  <p>L=24,3 mm x 28</p> |
| <p><b>XA</b></p>  <p>x 1</p>           | <p><b>XG</b></p>  <p>x 1</p>           | <p><b>ZR</b></p>  <p>Ø 15 x 16</p>      | <p><b>LED</b></p>  <p>x 1</p>          |  |   |



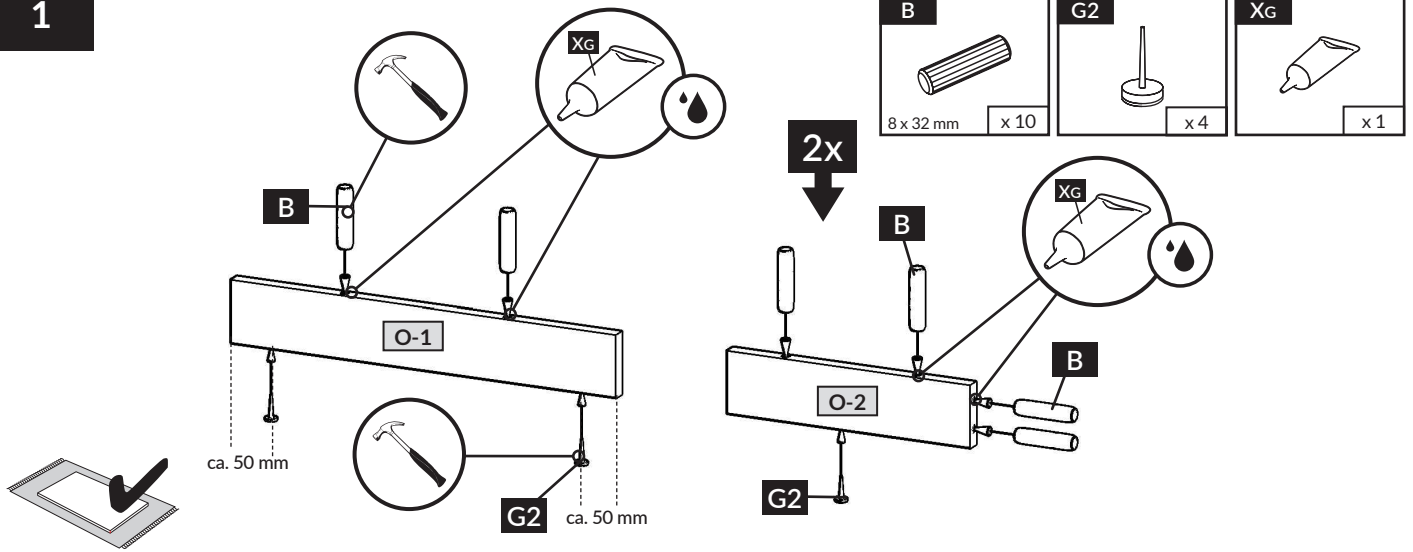


| nr   | ↔ [mm] | ↑ [mm] | ∅ [mm] | Menge | Colli |
|------|--------|--------|--------|-------|-------|
| O-1  | 520    | 80     | 16     | x2    | 1/1   |
| O-2  | 328    | 80     | 16     | x4    | 1/1   |
| O-3  | 600    | 384    | 22     | x2    | 1/1   |
| O-4  | 600    | 384    | 22     | x2    | 1/1   |
| O-5  | 291    | 384    | 16     | x2    | 1/1   |
| O-6  | 291    | 384    | 16     | x2    | 1/1   |
| O-7  | 291    | 384    | 16     | x2    | 1/1   |
| O-8  | 600    | 920    | 16     | x2    | 1/1   |
| O-9  | 100    | 291    | 16     | x2    | 1/1   |
| O-10 | 96     | 334    | 16     | x2    | 1/1   |
| O-11 | 920    | 44     | 16     | x2    | 1/1   |
| O-12 | 600    | 60     | 16     | x2    | 1/1   |
| O-13 | 600    | 160    | 16     | x2    | 1/1   |
| O-14 | 444    | 164    | 16     | x4    | 1/1   |
| O-15 | 344    | 80     | 16     | x4    | 1/1   |
| O-16 | 350    | 80     | 16     | x4    | 1/1   |
| O-17 | 350    | 80     | 16     | x4    | 1/1   |
| O-18 | 374    | 356    | 3      | x4    | 1/1   |

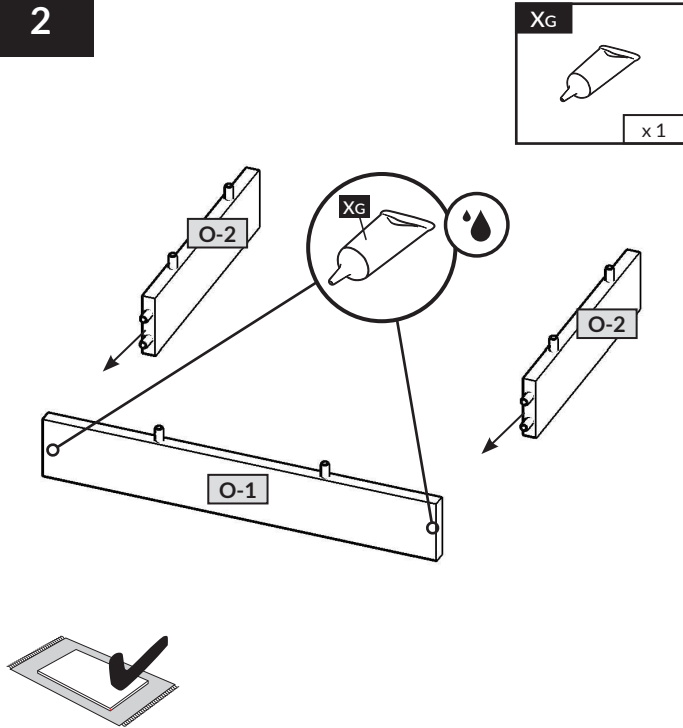




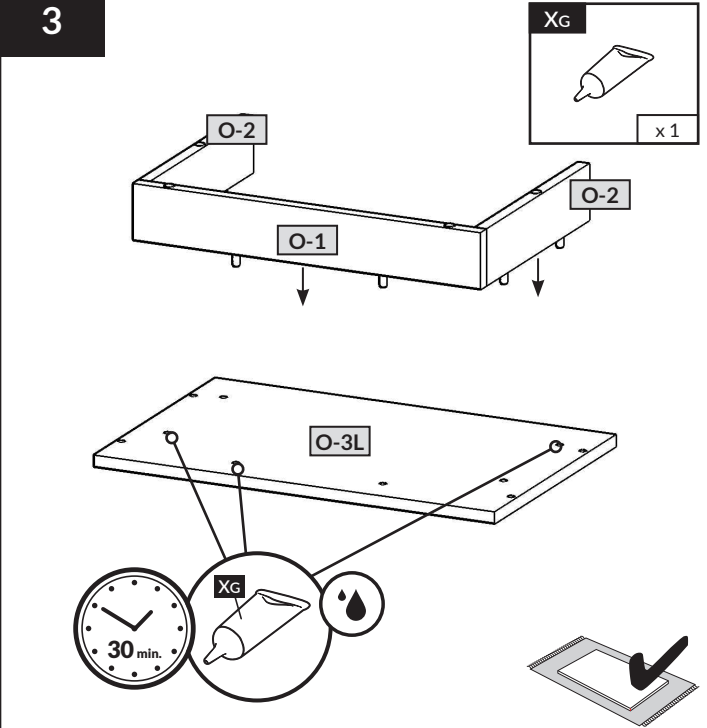
1



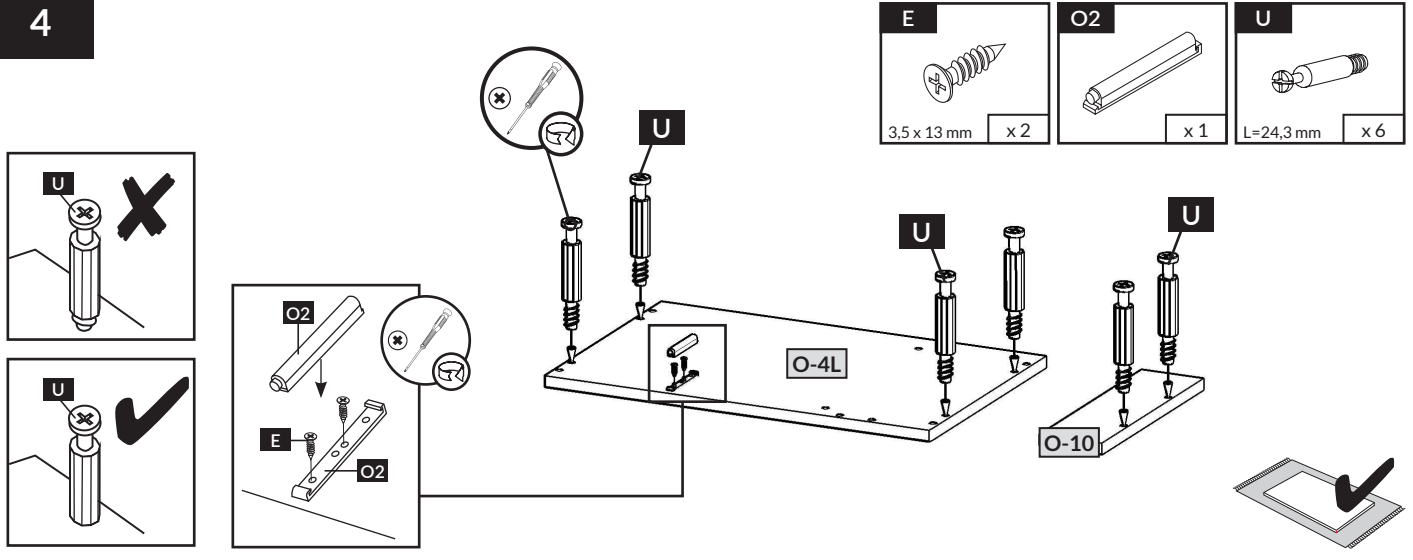
2

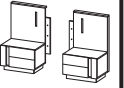


3



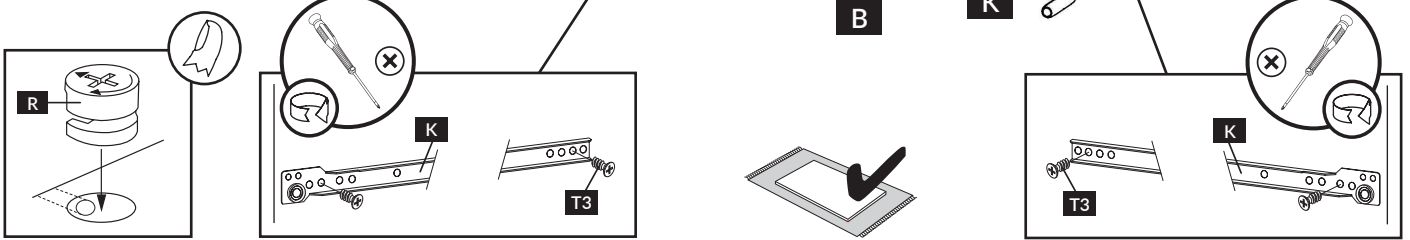
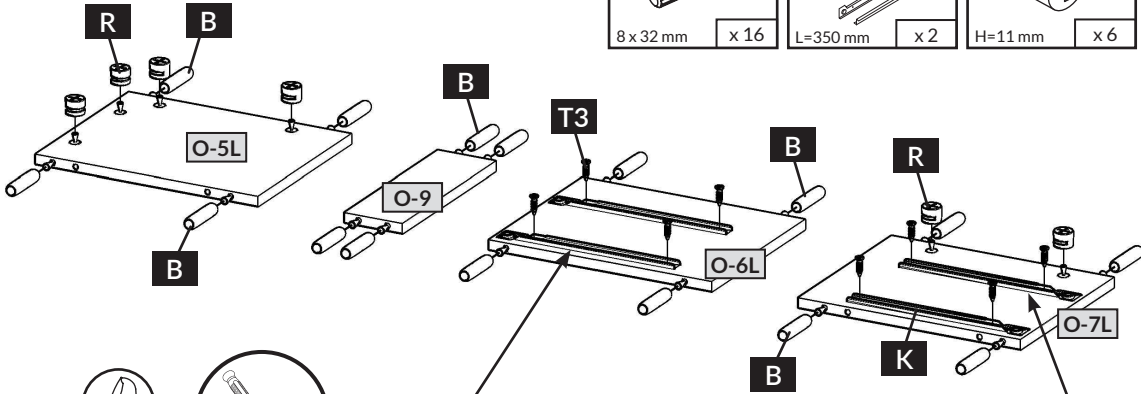
4





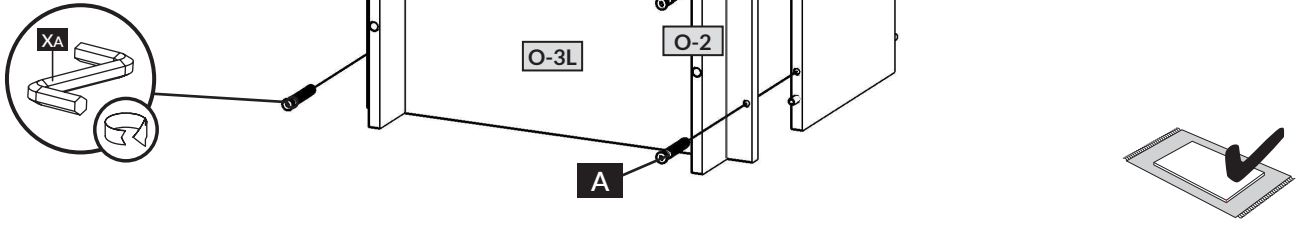
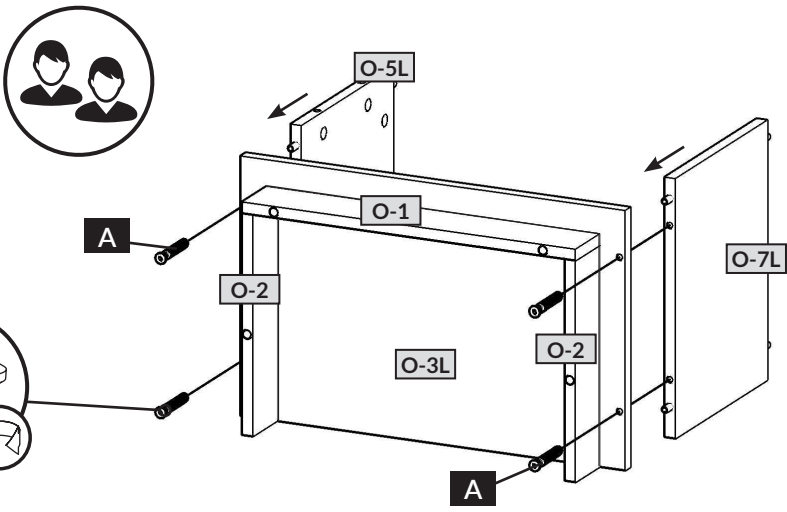
5

- B** 8 x 32 mm x 16
- K** L=350 mm x 2
- R** H=11 mm x 6
- T3** 5 x 9 mm x 8



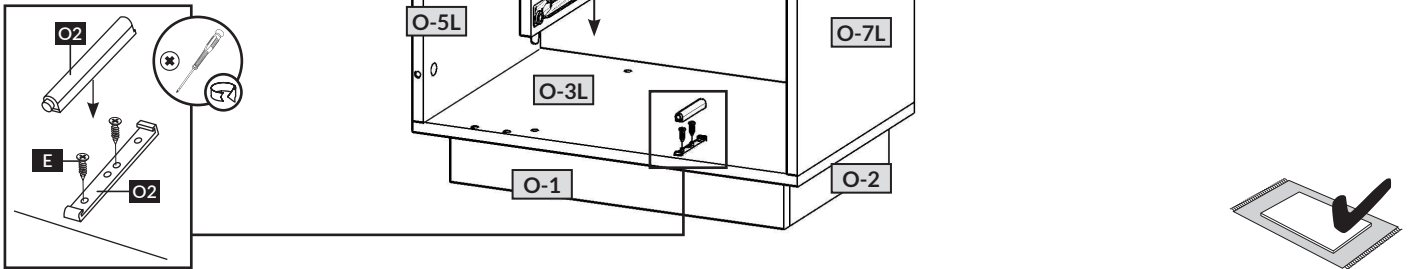
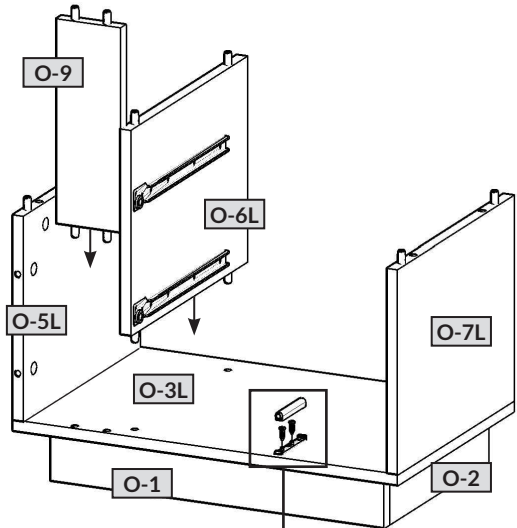
6

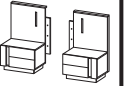
- A** 7 x 50 mm x 4
- XA** x 1



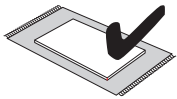
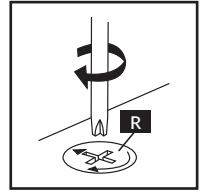
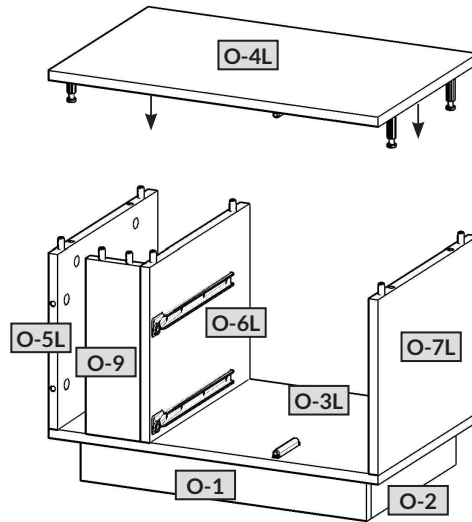
7

- E** 3,5 x 13 mm x 2
- O2** x 1

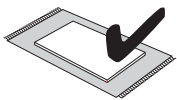
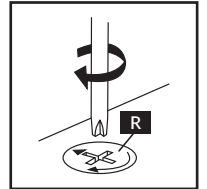
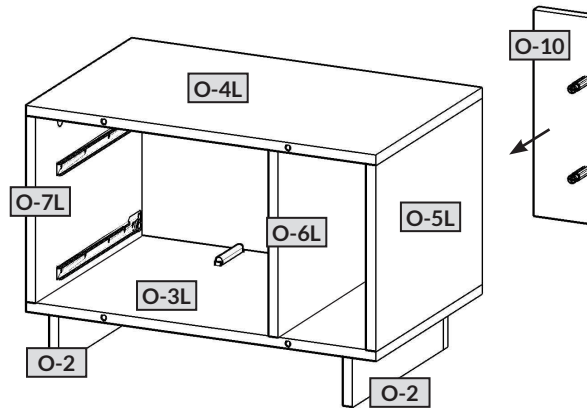




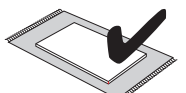
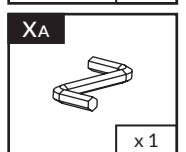
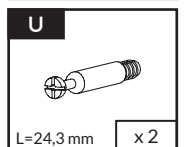
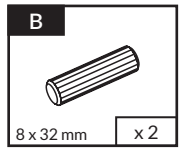
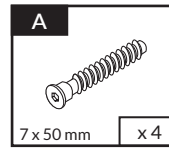
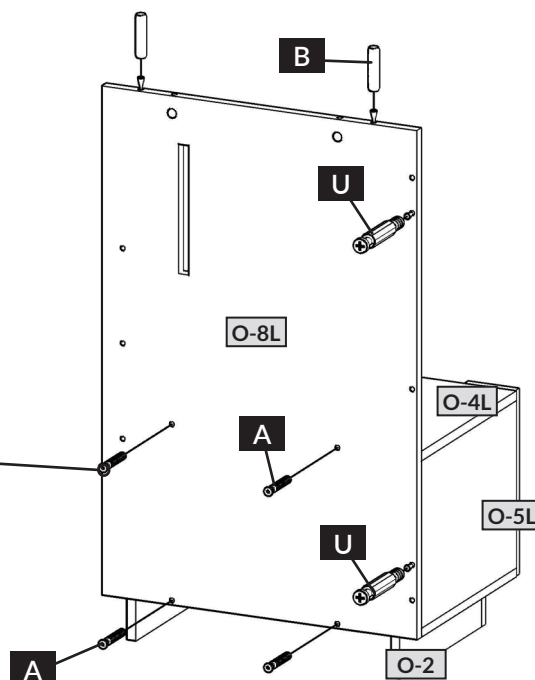
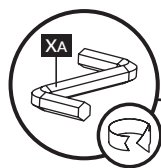
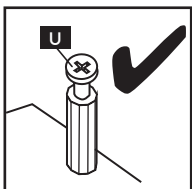
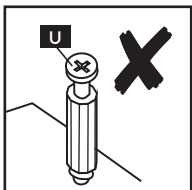
8

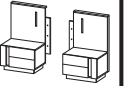


9

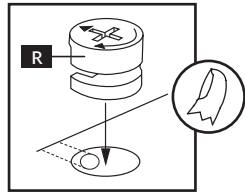
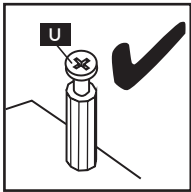
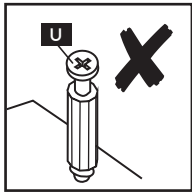
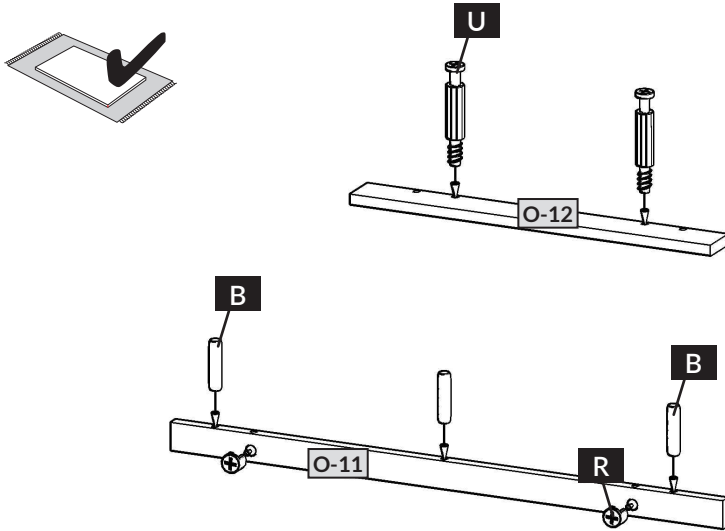
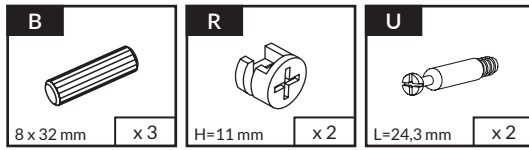


10

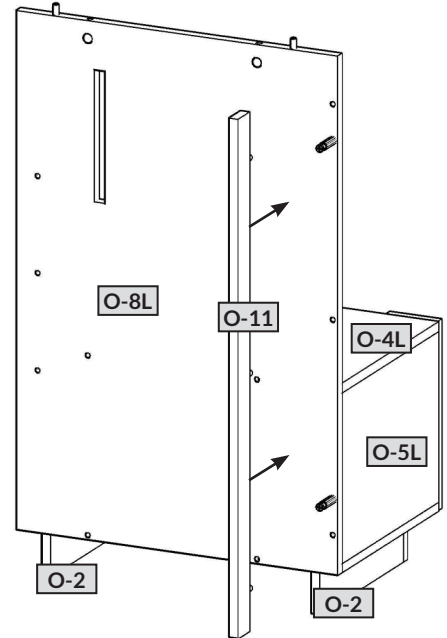
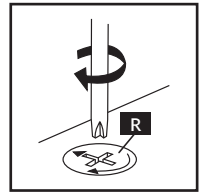




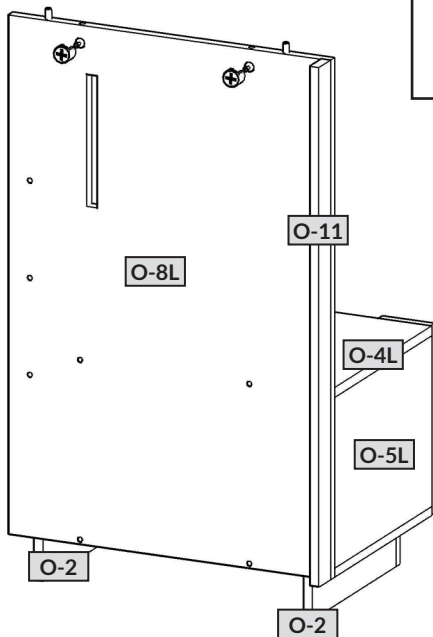
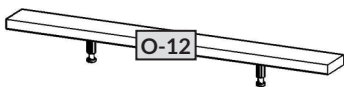
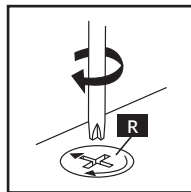
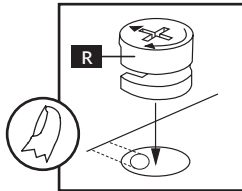
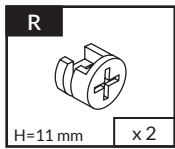
11



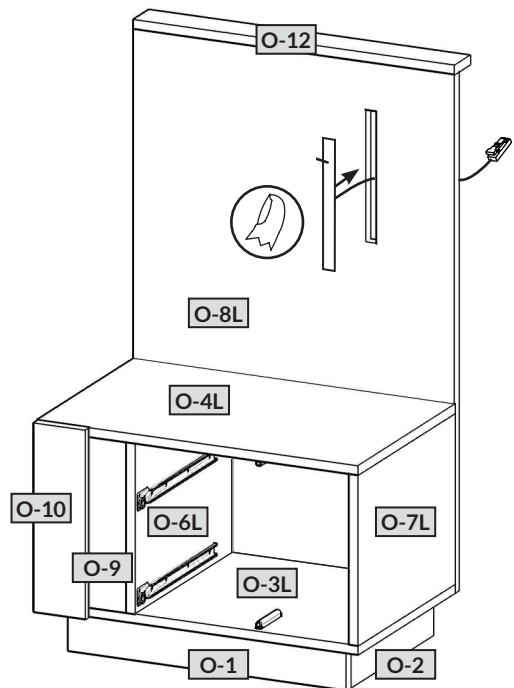
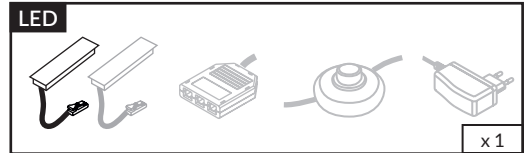
12

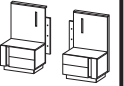


13

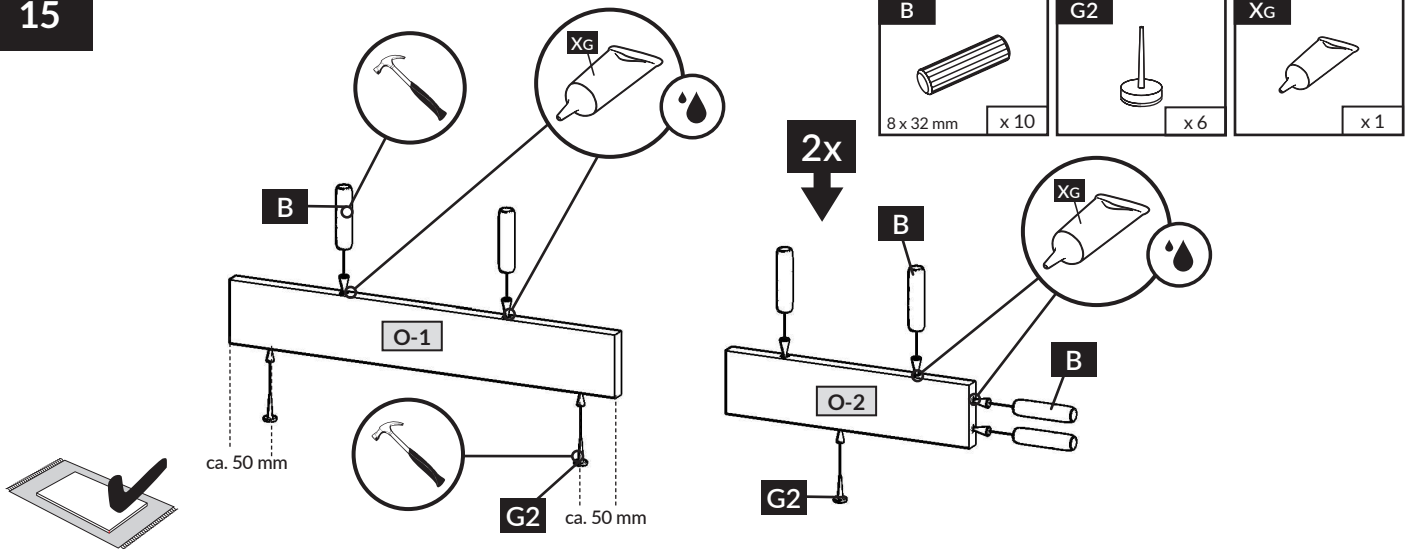


14

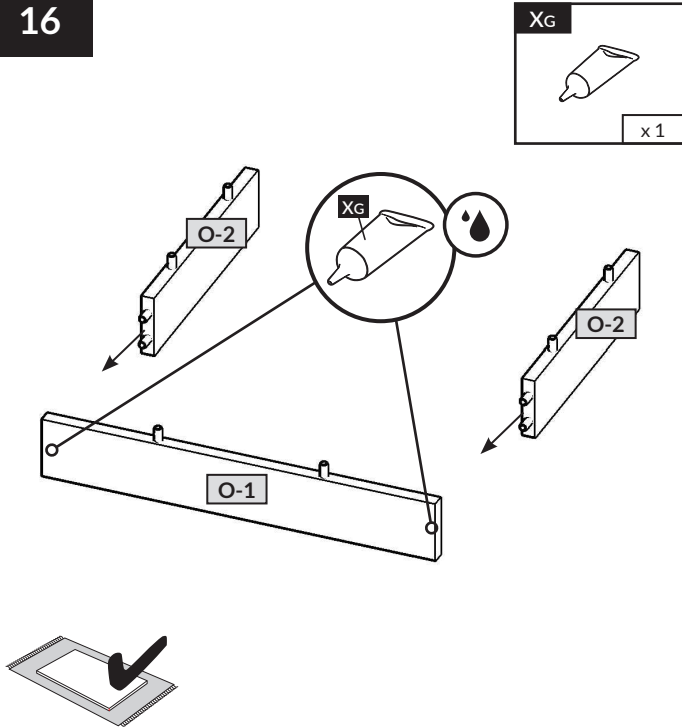




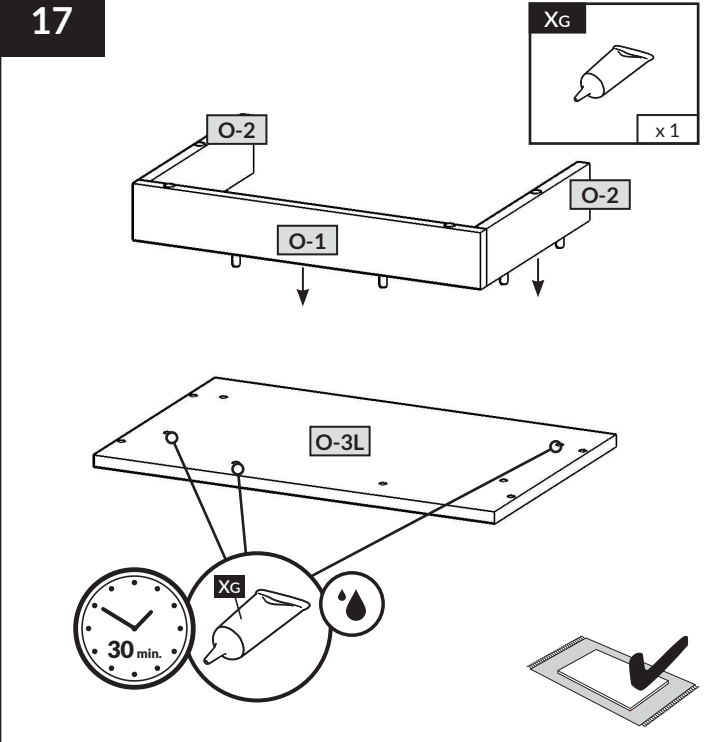
15



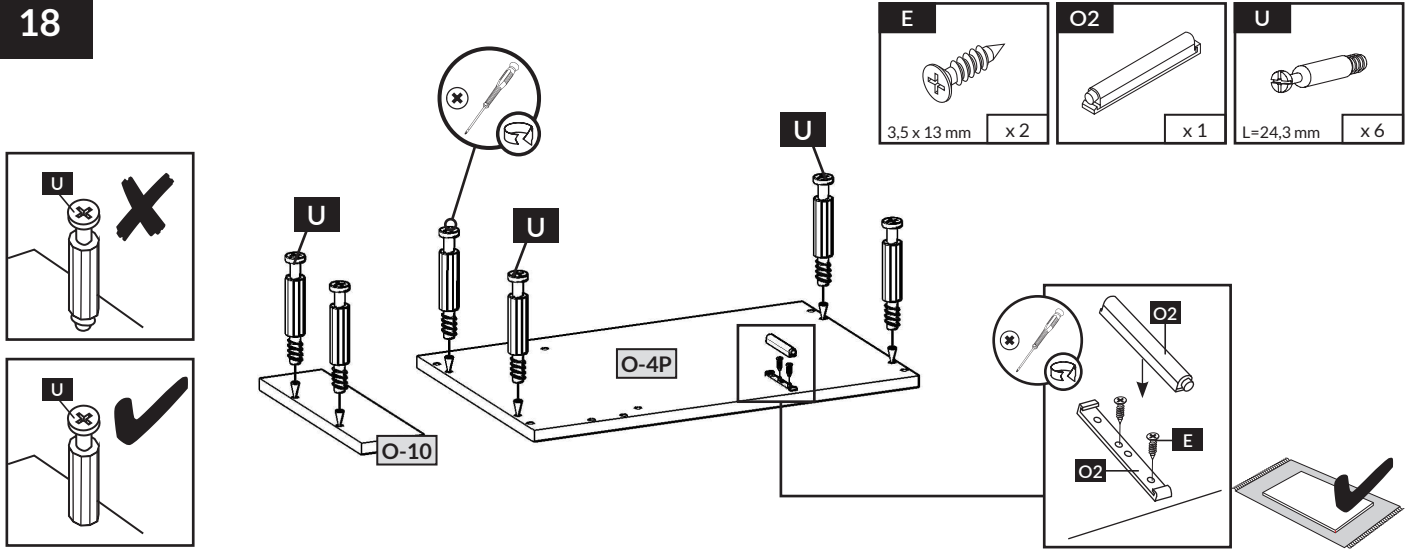
16



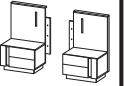
17



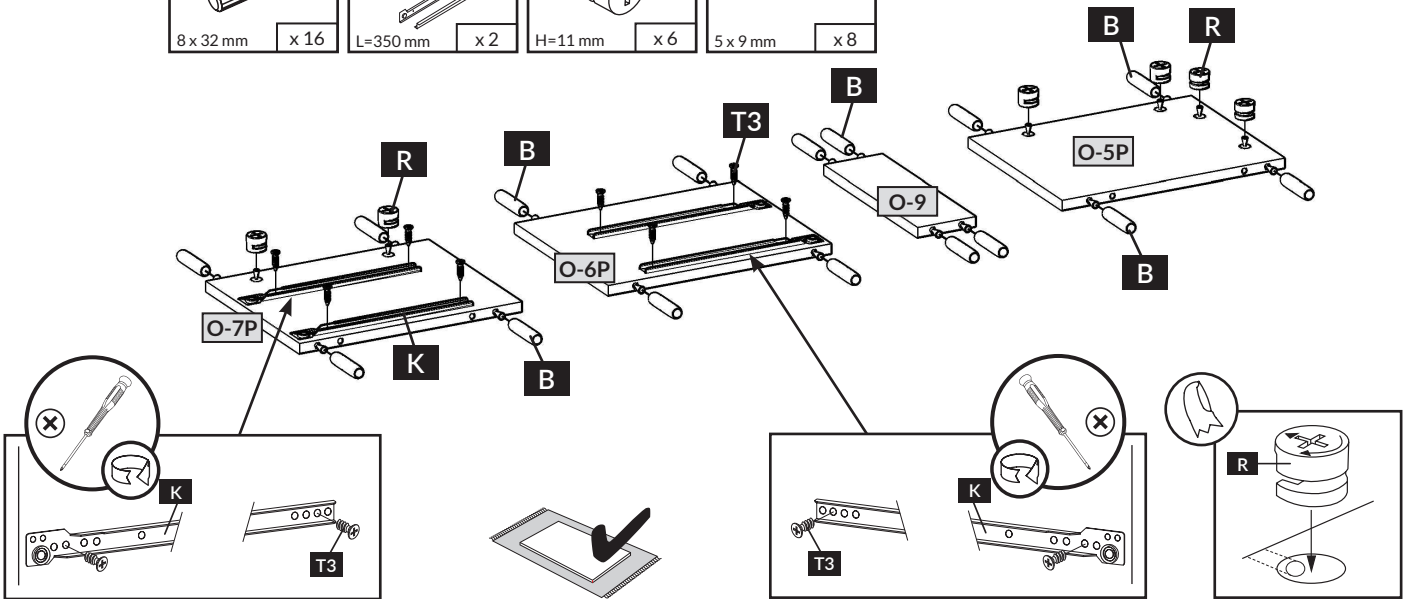
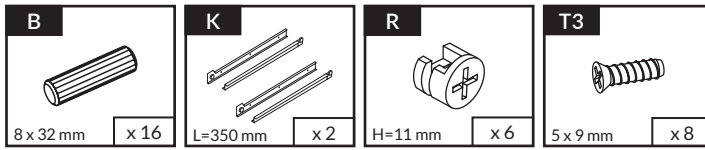
18



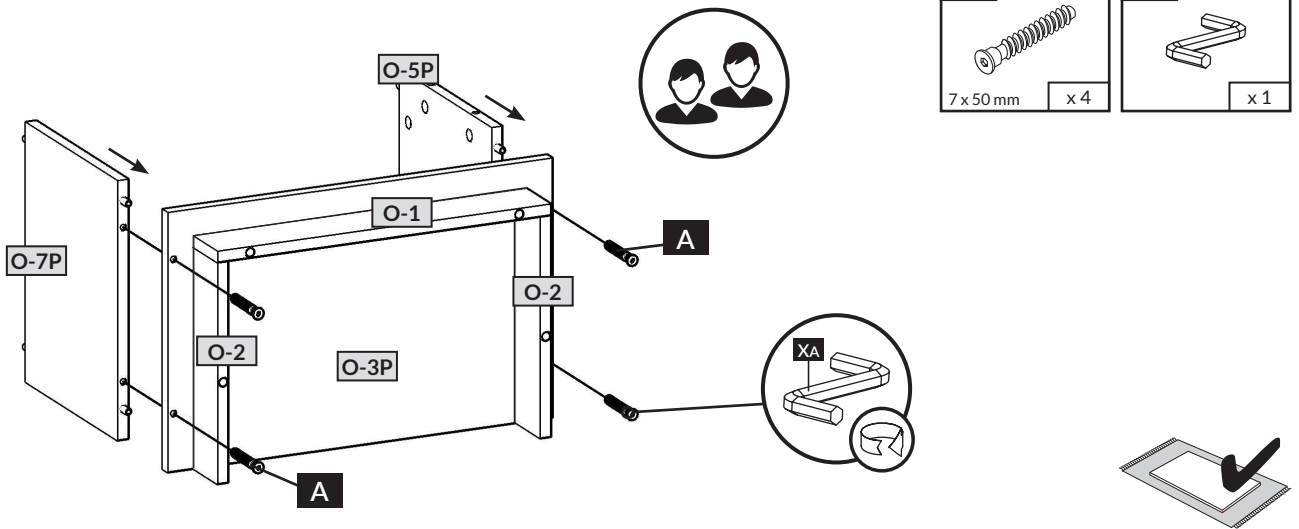
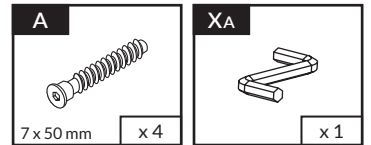




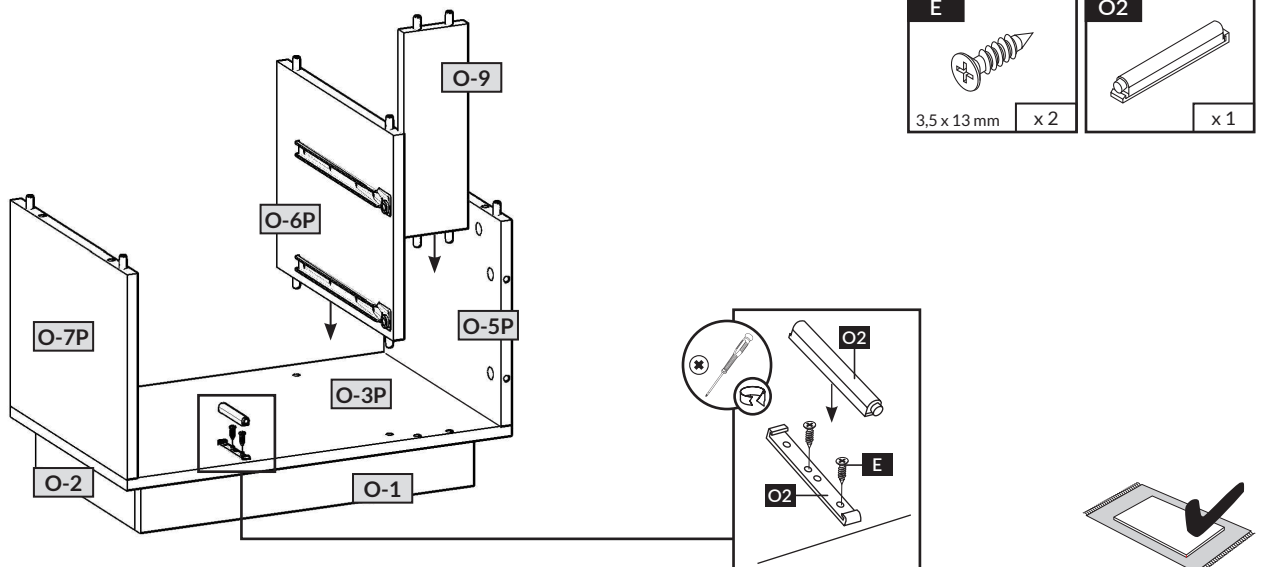
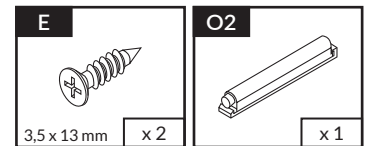
19

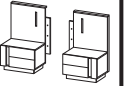


20

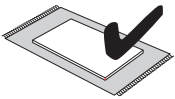
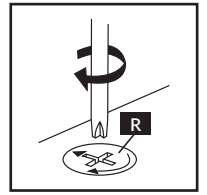
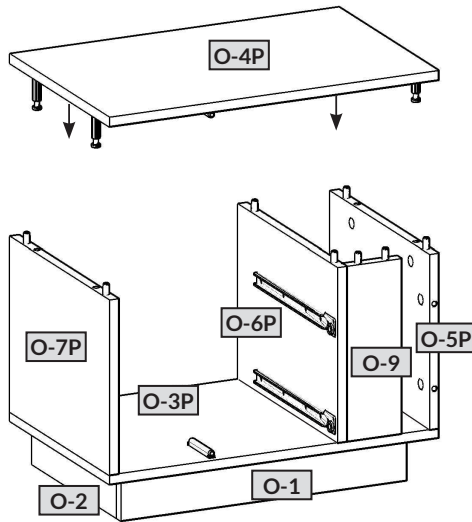


21

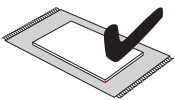
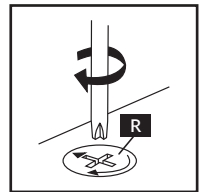
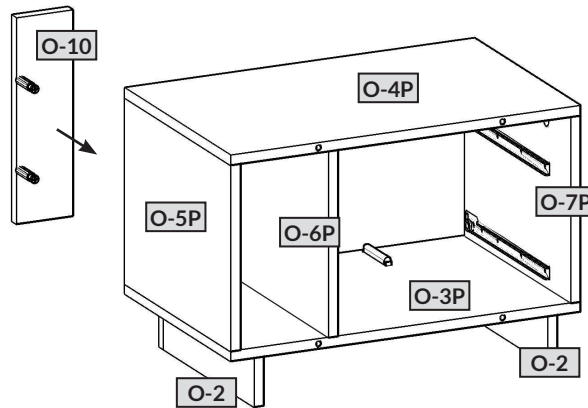




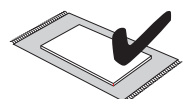
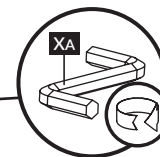
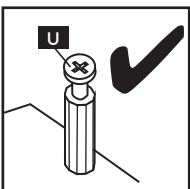
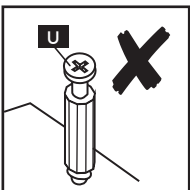
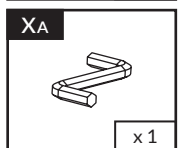
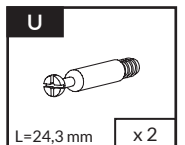
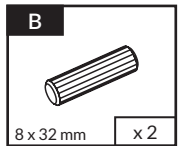
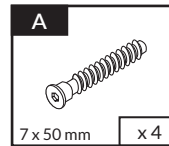
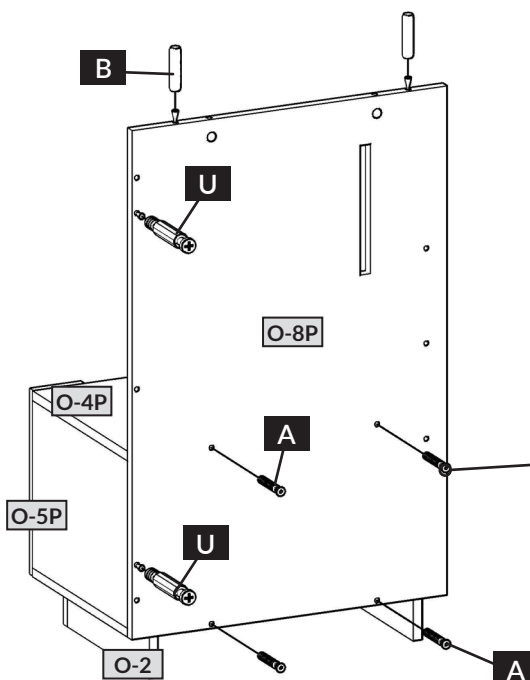
22

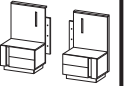


23

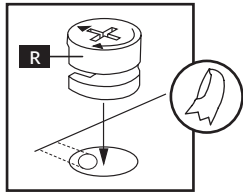
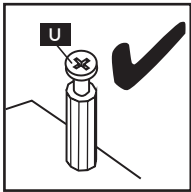
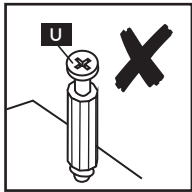
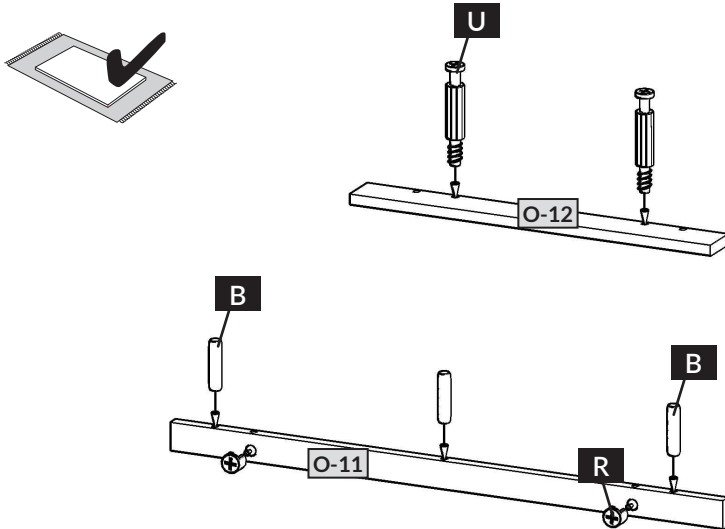
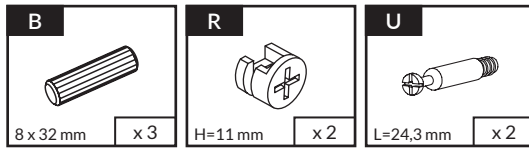


24

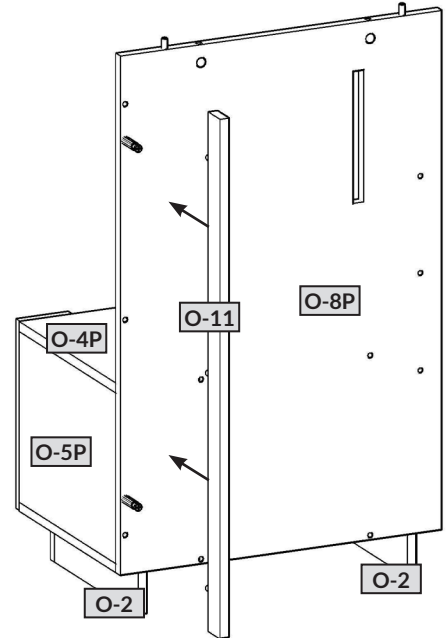
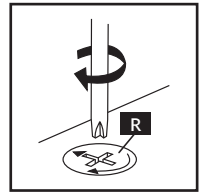




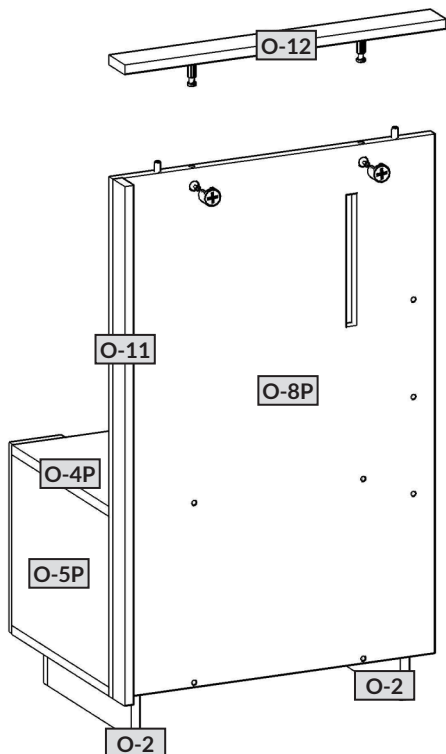
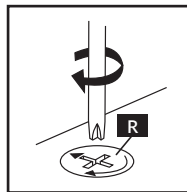
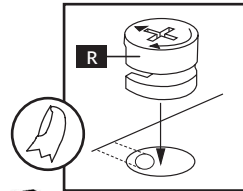
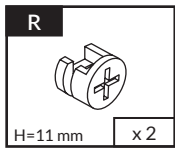
25



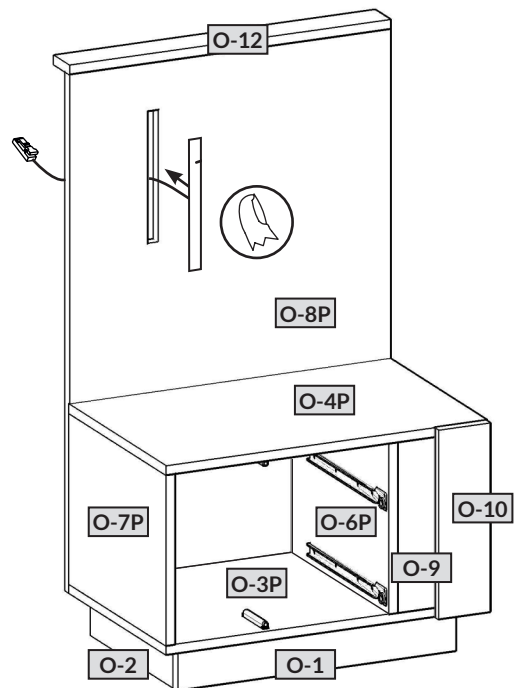
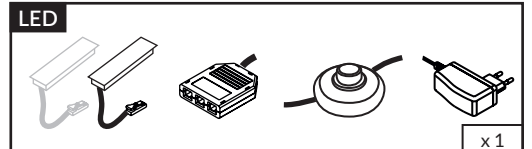
26

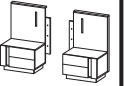


27

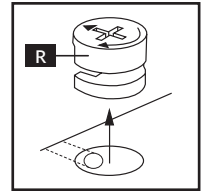
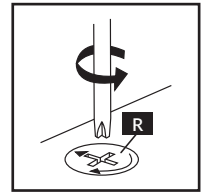
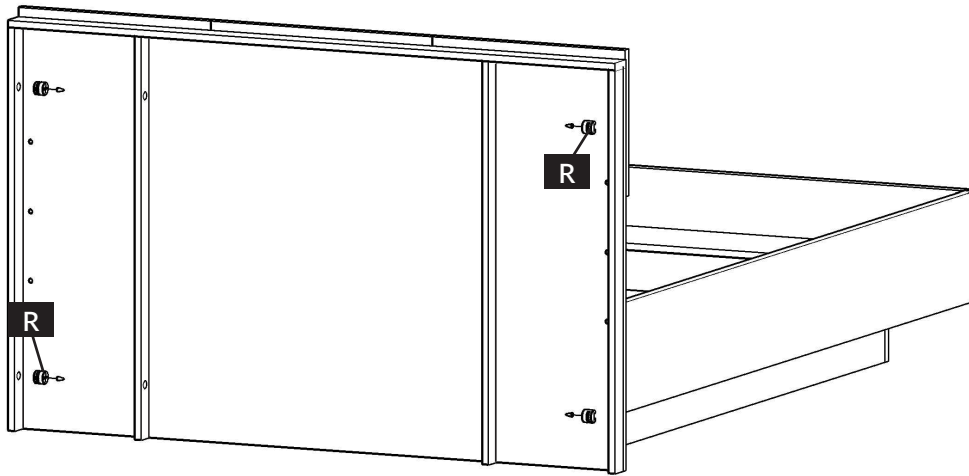


28

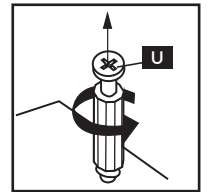
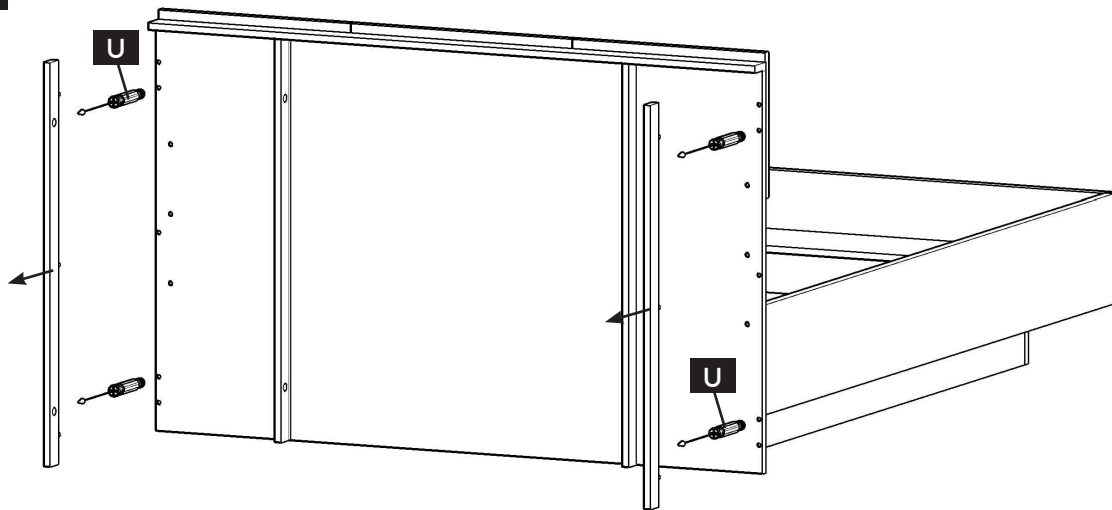




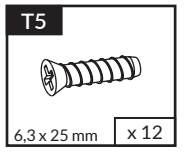
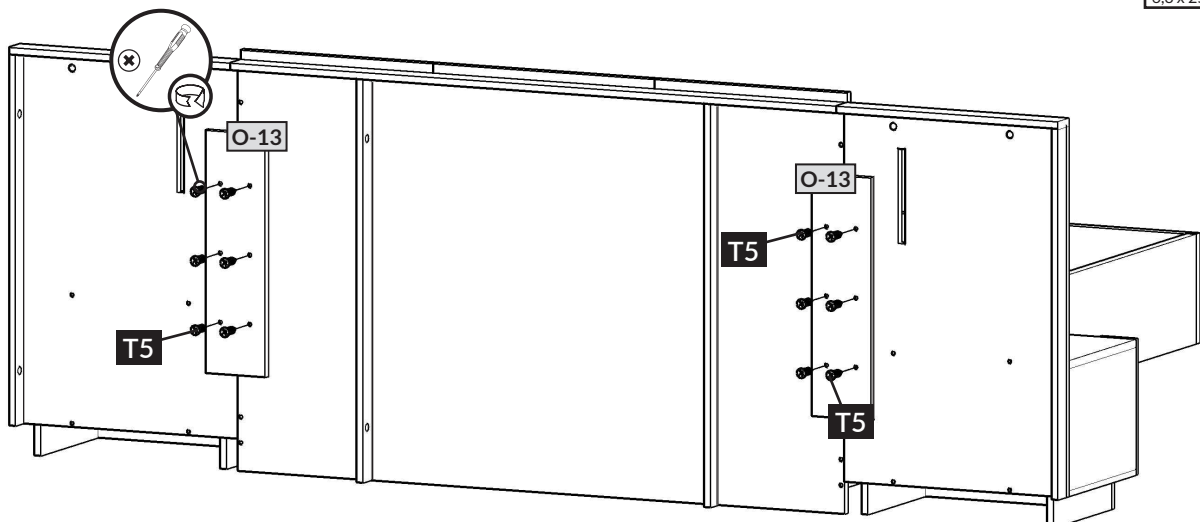
29

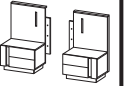


30

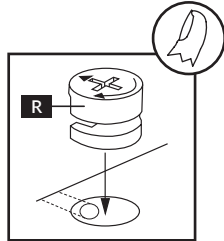
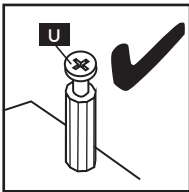
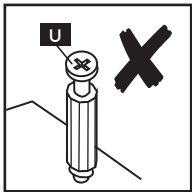
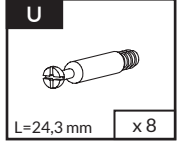
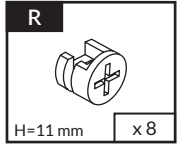
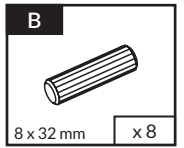
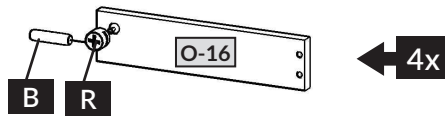
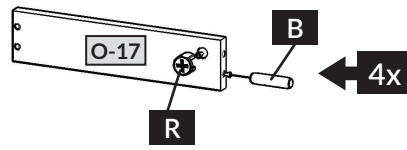
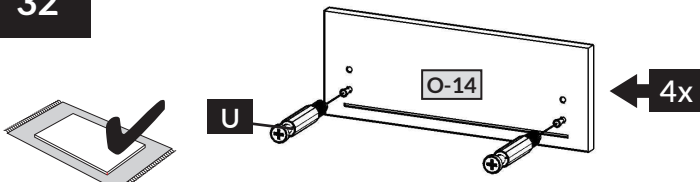


31

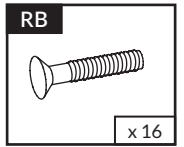
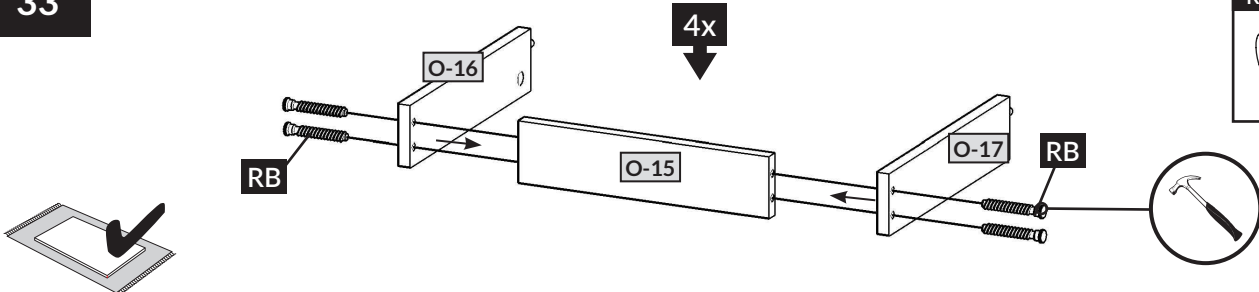




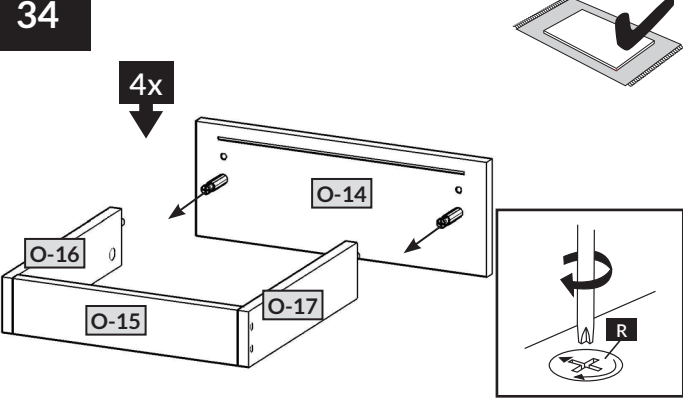
32



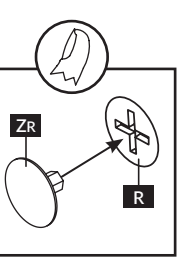
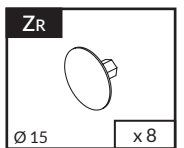
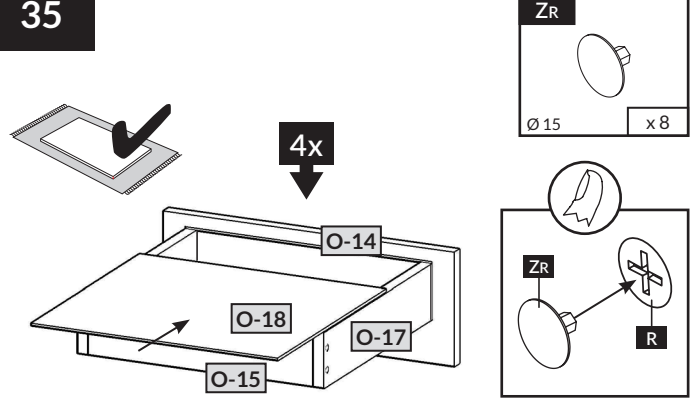
33



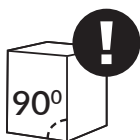
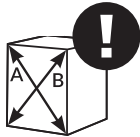
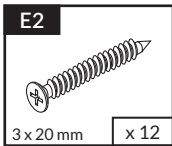
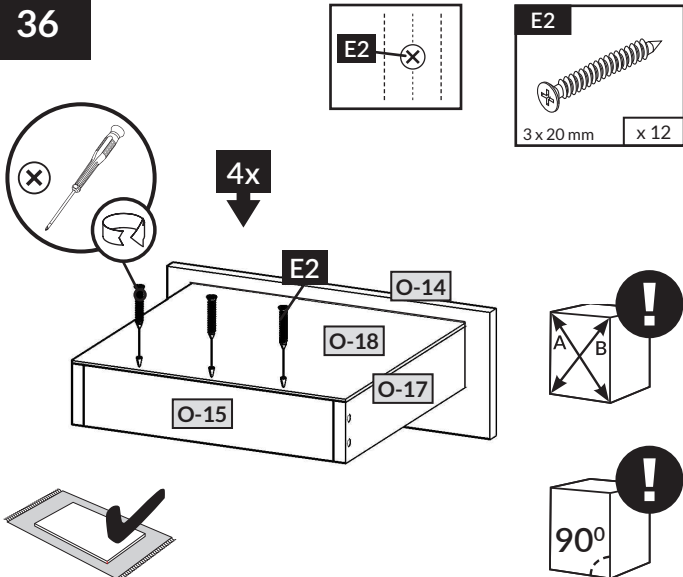
34



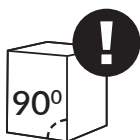
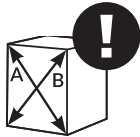
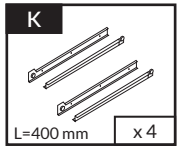
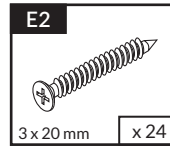
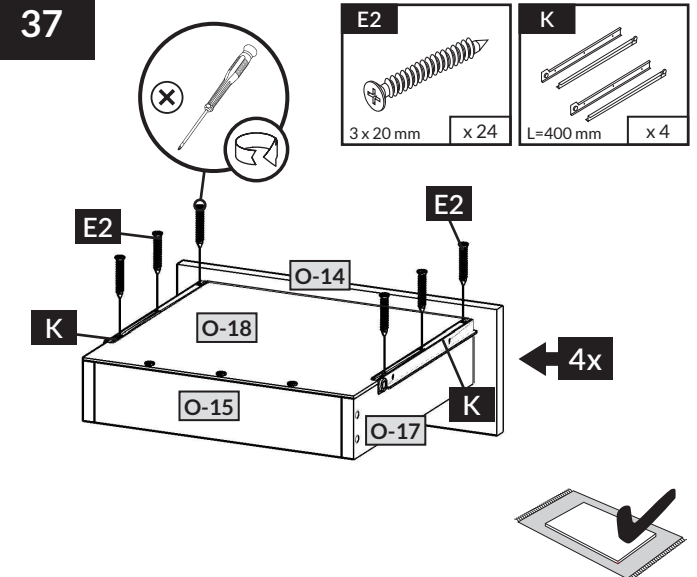
35

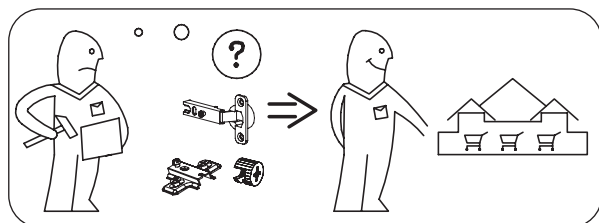
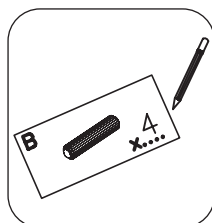
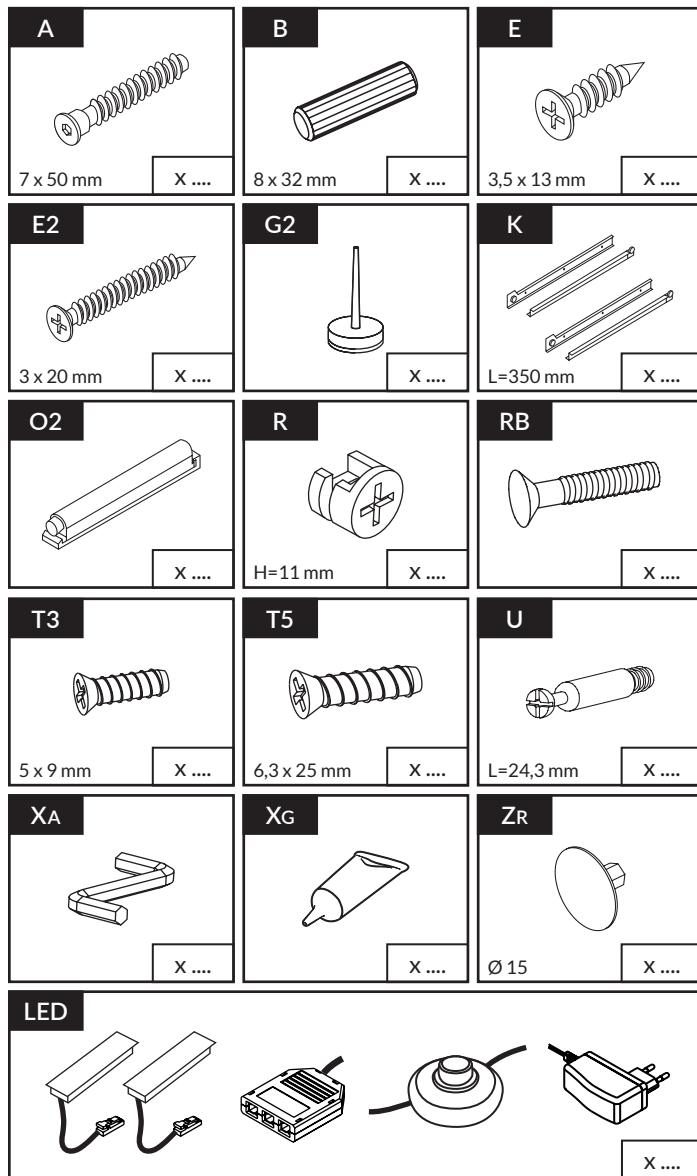


36



37





| nr   | ↔ [mm] | ↓ [mm] | ↗ [mm] | Menge | Colli |
|------|--------|--------|--------|-------|-------|
| O-1  | 520    | 80     | 16     | x 2   | 1/1   |
| O-2  | 328    | 80     | 16     | x 4   | 1/1   |
| O-3  | 600    | 384    | 22     | x 2   | 1/1   |
| O-4  | 600    | 384    | 22     | x 2   | 1/1   |
| O-5  | 291    | 384    | 16     | x 2   | 1/1   |
| O-6  | 291    | 384    | 16     | x 2   | 1/1   |
| O-7  | 291    | 384    | 16     | x 2   | 1/1   |
| O-8  | 600    | 920    | 16     | x 2   | 1/1   |
| O-9  | 100    | 291    | 16     | x 2   | 1/1   |
| O-10 | 96     | 334    | 16     | x 2   | 1/1   |
| O-11 | 920    | 44     | 16     | x 2   | 1/1   |
| O-12 | 600    | 60     | 16     | x 2   | 1/1   |
| O-13 | 600    | 160    | 16     | x 2   | 1/1   |
| O-14 | 444    | 164    | 16     | x 4   | 1/1   |
| O-15 | 344    | 80     | 16     | x 4   | 1/1   |
| O-16 | 350    | 80     | 16     | x 4   | 1/1   |
| O-17 | 350    | 80     | 16     | x 4   | 1/1   |
| O-18 | 374    | 356    | 3      | x 4   | 1/1   |

