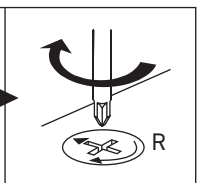
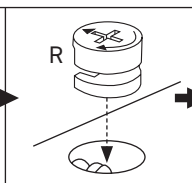
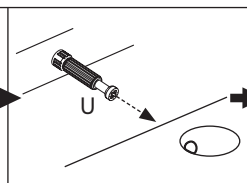
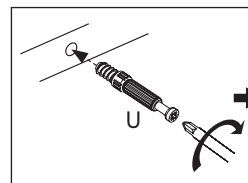
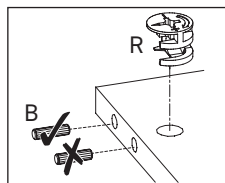
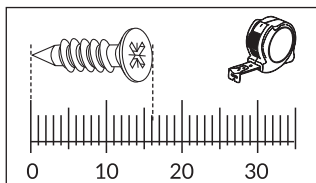
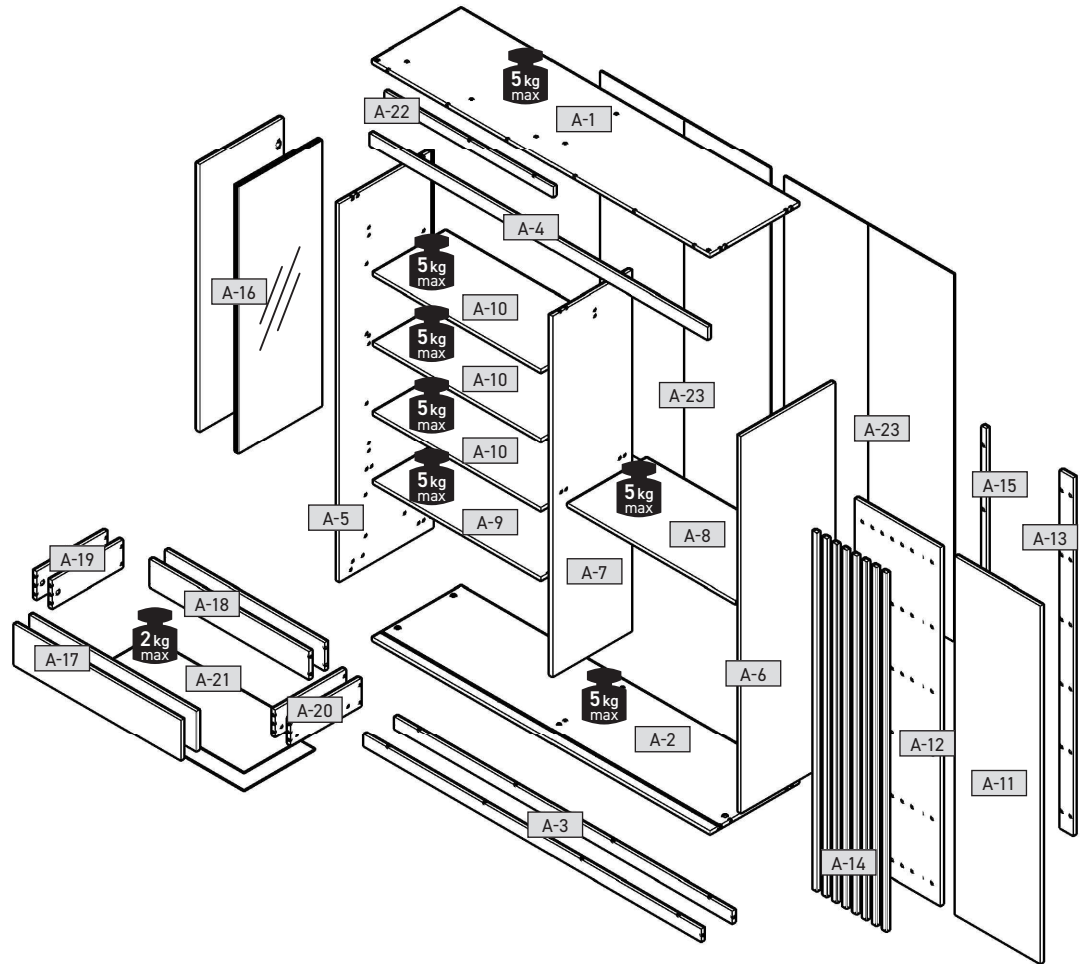
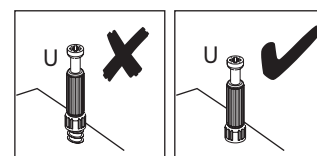
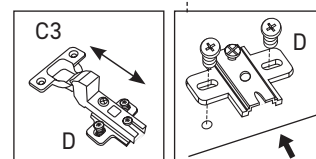
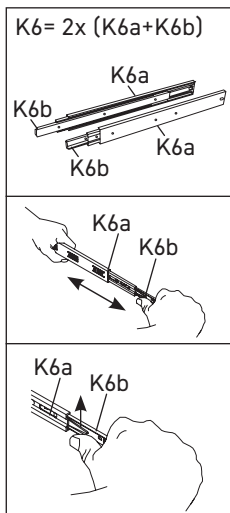
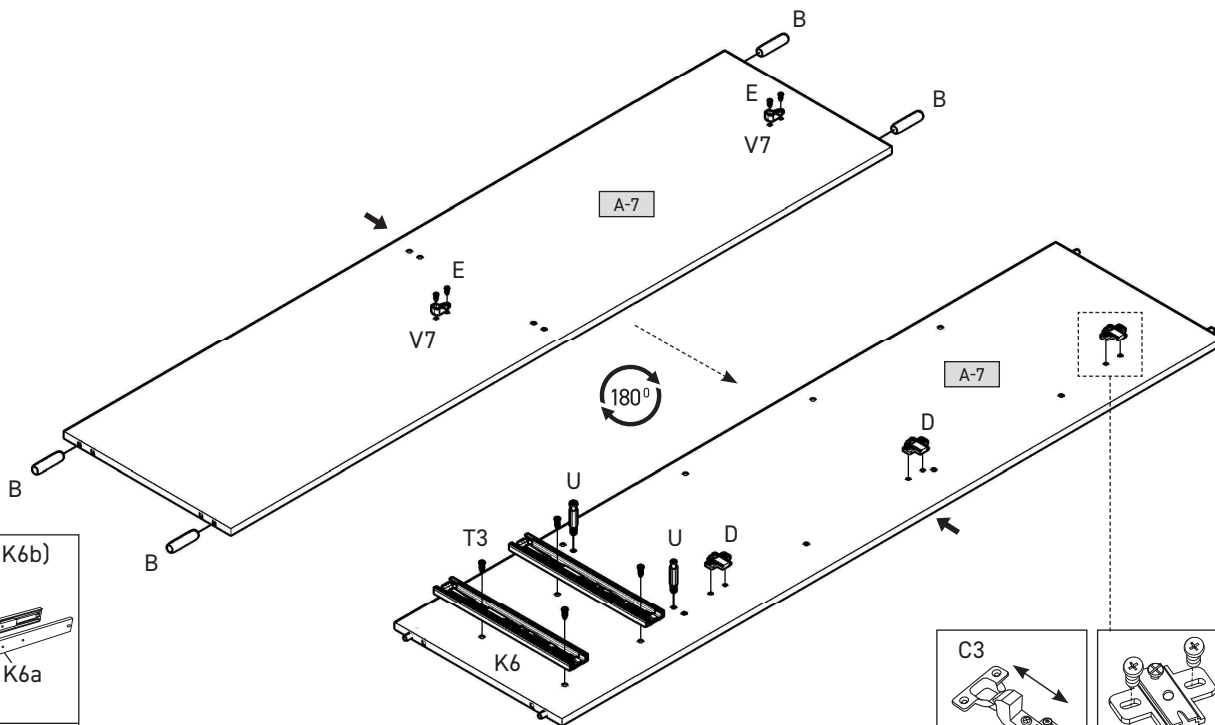
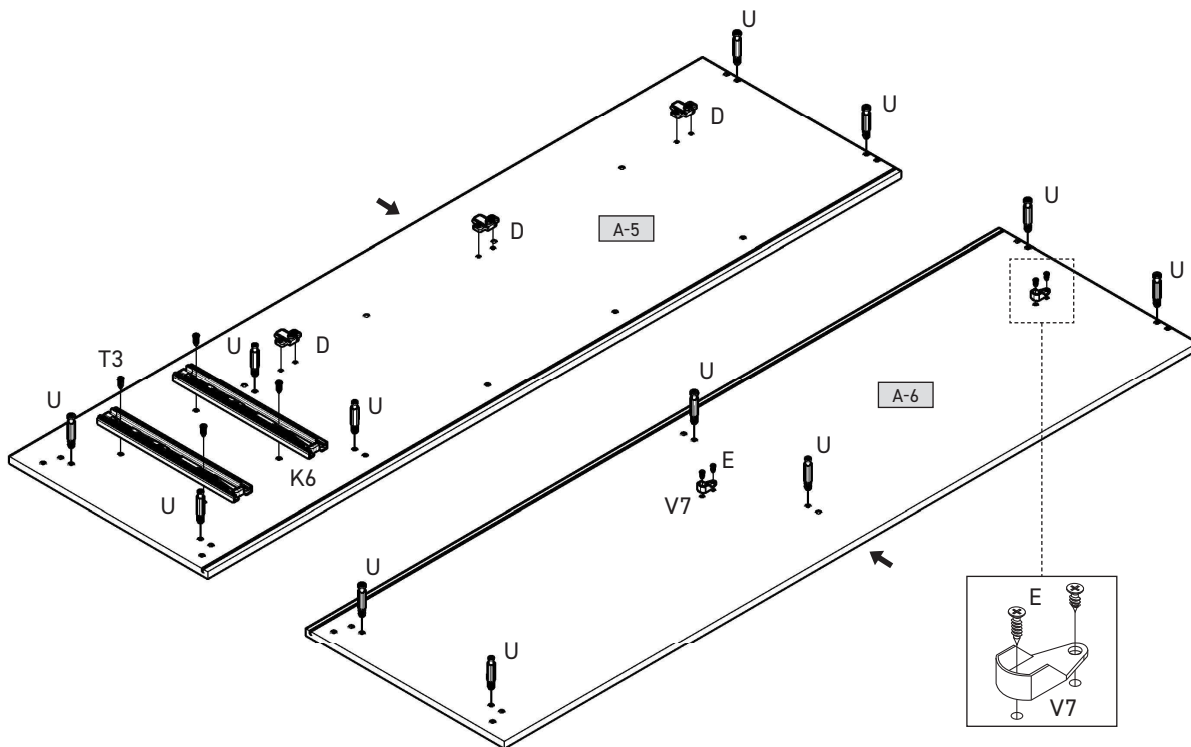


A-1	2168	568	16	x 1	2/5
A-2	2168	568	16	x 1	2/5
A-3	2168	65	16	x 2	2/5
A-4	2168	65	16	x 1	2/5
A-5	2100	600	16	x 1	1/5
A-6	2100	600	16	x 1	1/5
A-7	2003	505	16	x 1	1/5
A-8	1076	505	16	x 1	3/5
A-9	1076	463	16	x 1	3/5
A-10	1076	463	16	x 3	3/5
A-11	544	1990	16	x 1	4/5
A-12	544	1990	16	x 1	4/5
A-13	80	1990	16	x 1	2/5
A-14	24	1990	16	x 8	4/5
A-15	24	1990	16	x 1	4/5
A-16	533	1480	16	x 2	5/5
A-17	1070	225	16	x 2	2/5
A-18	1020	150	16	x 2	4/5
A-19	450	150	16	x 2	4/5
A-20	450	150	16	x 2	4/5
A-21	1050	456	3	x 2	3/5
A-22	1076	53	16	x 1	3/5
A-23	1090	2032	3	x 2	1/5

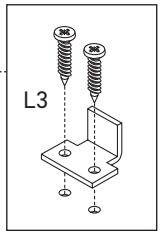
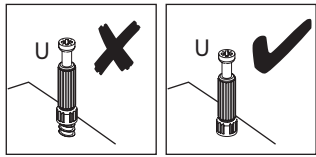
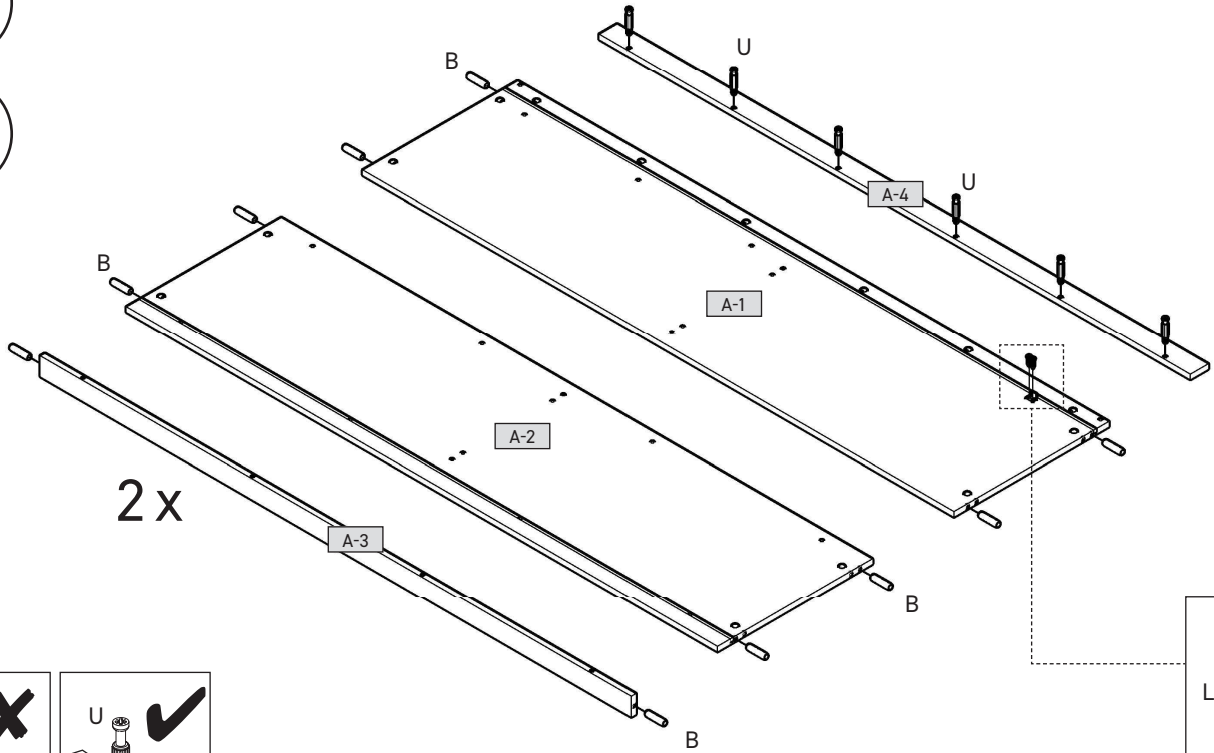
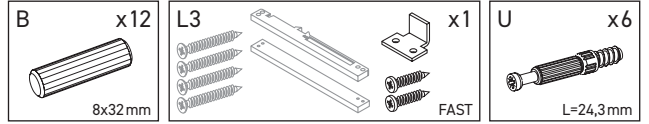


1

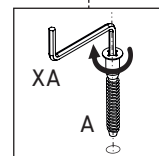
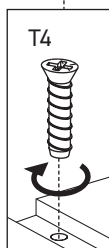
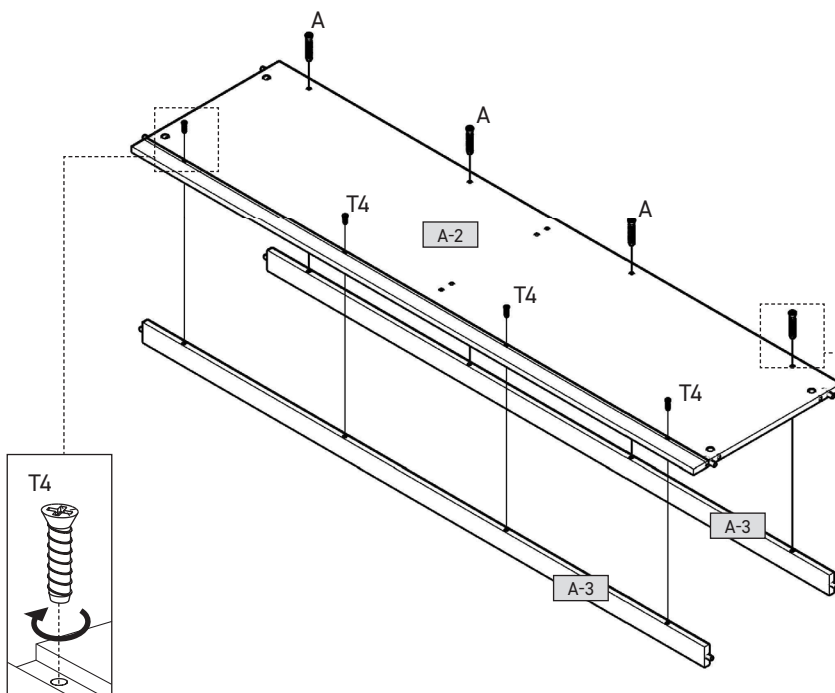
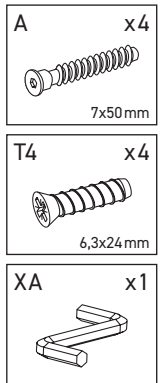
B x4 8x32mm	C3+D x6 W	E x8 3,5x13mm	K6 x2 L=450mm	T3 x8 5x9mm	U x14 L=24,3mm	V7 x4
--------------------------	------------------------	----------------------------	----------------------------	--------------------------	-----------------------------	-----------------



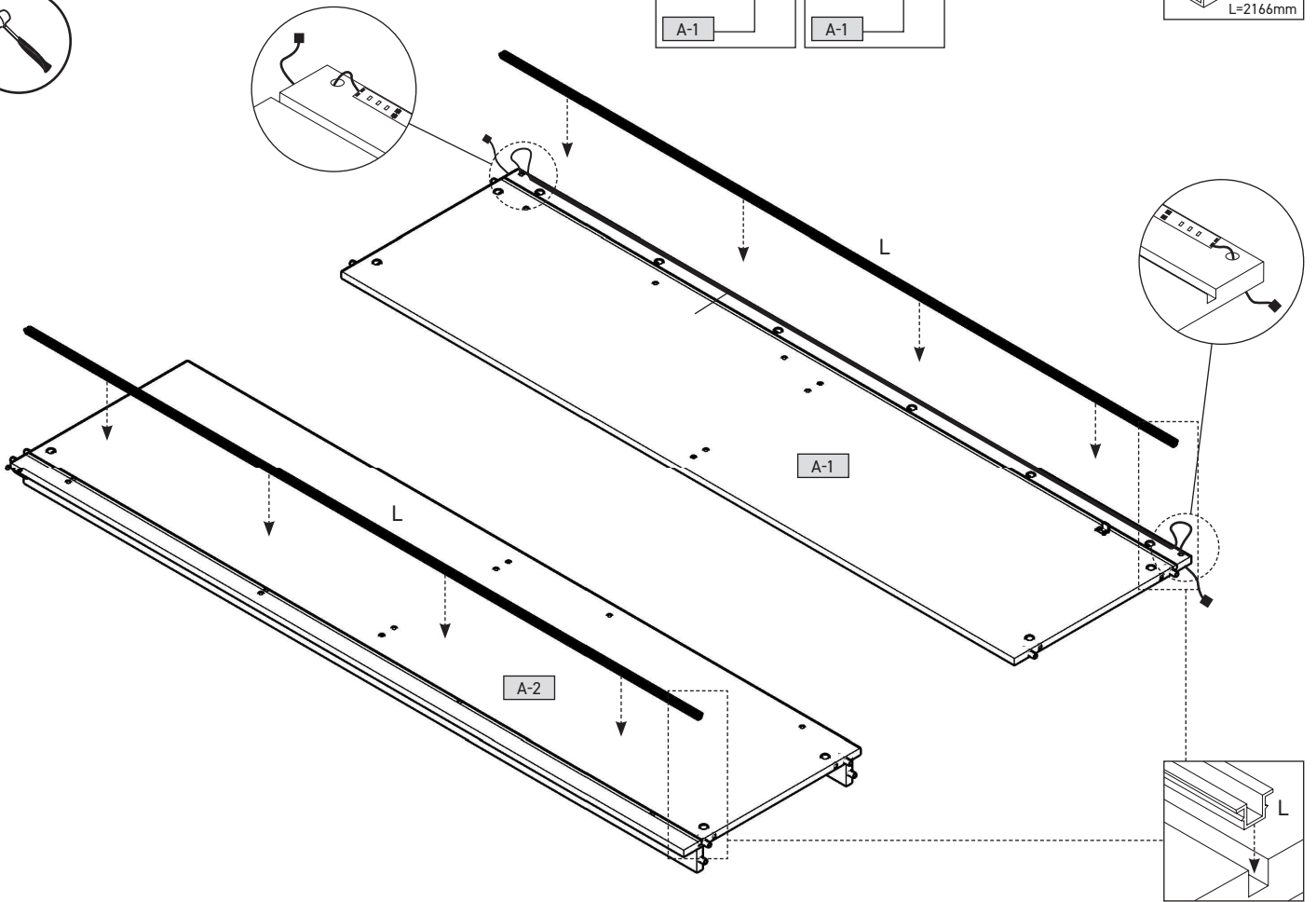
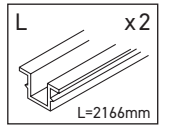
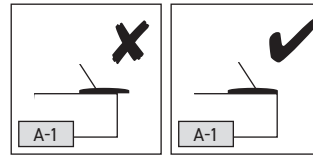
2



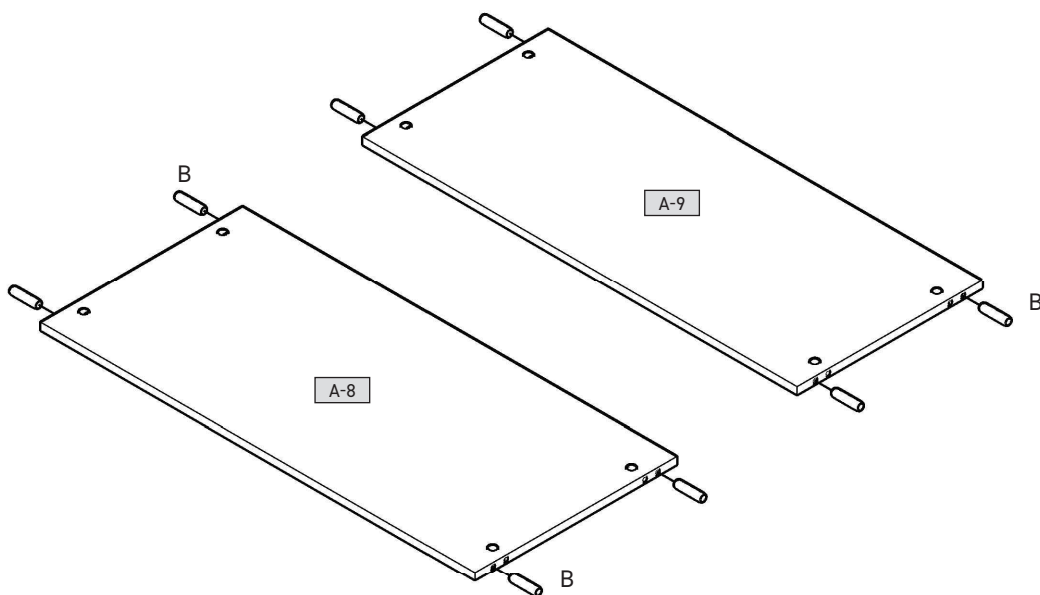
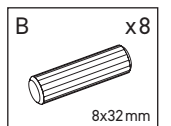
3



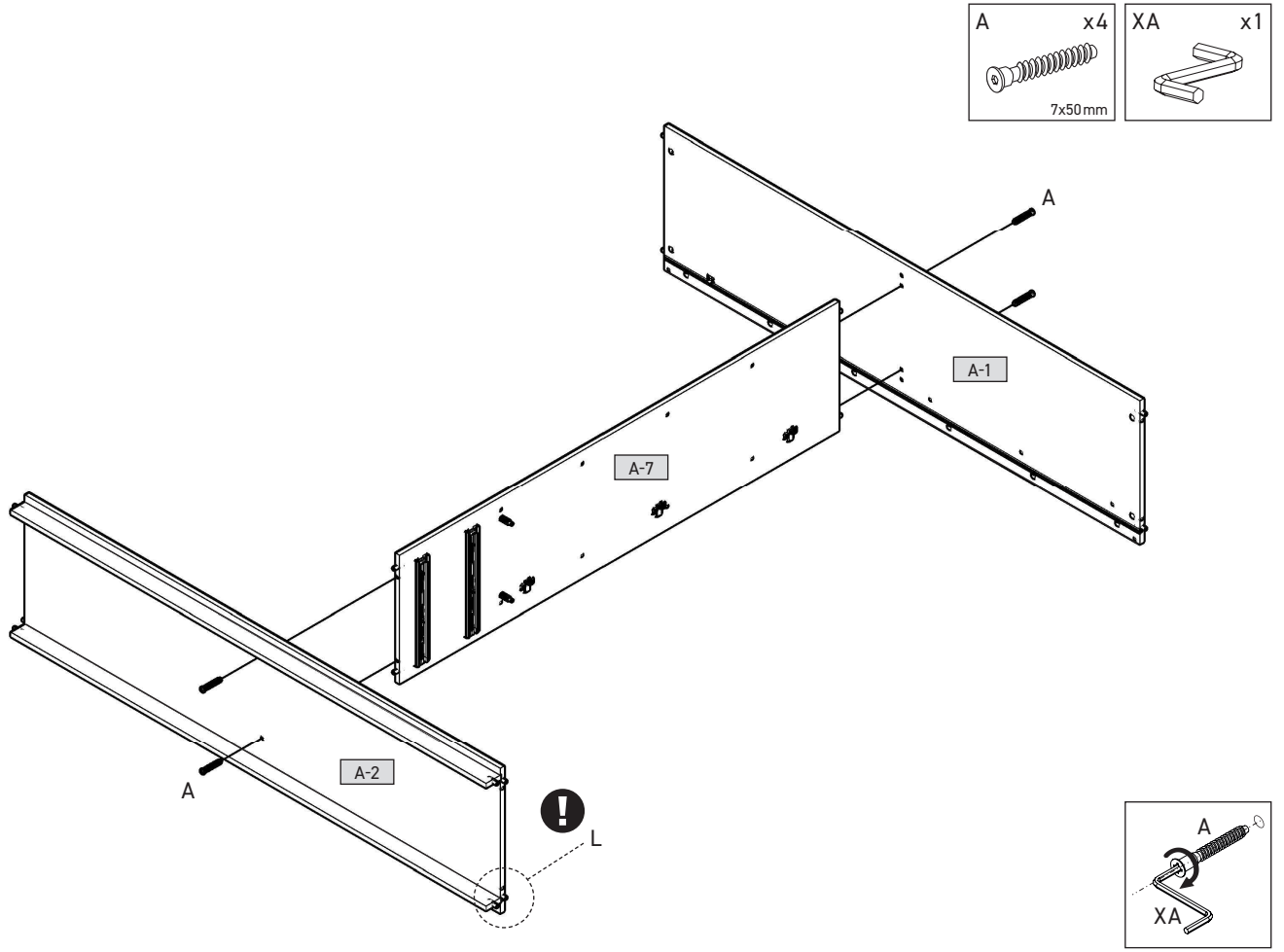
4



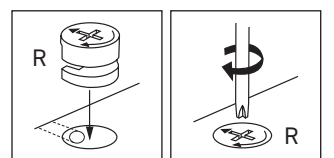
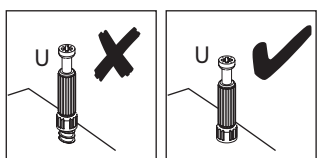
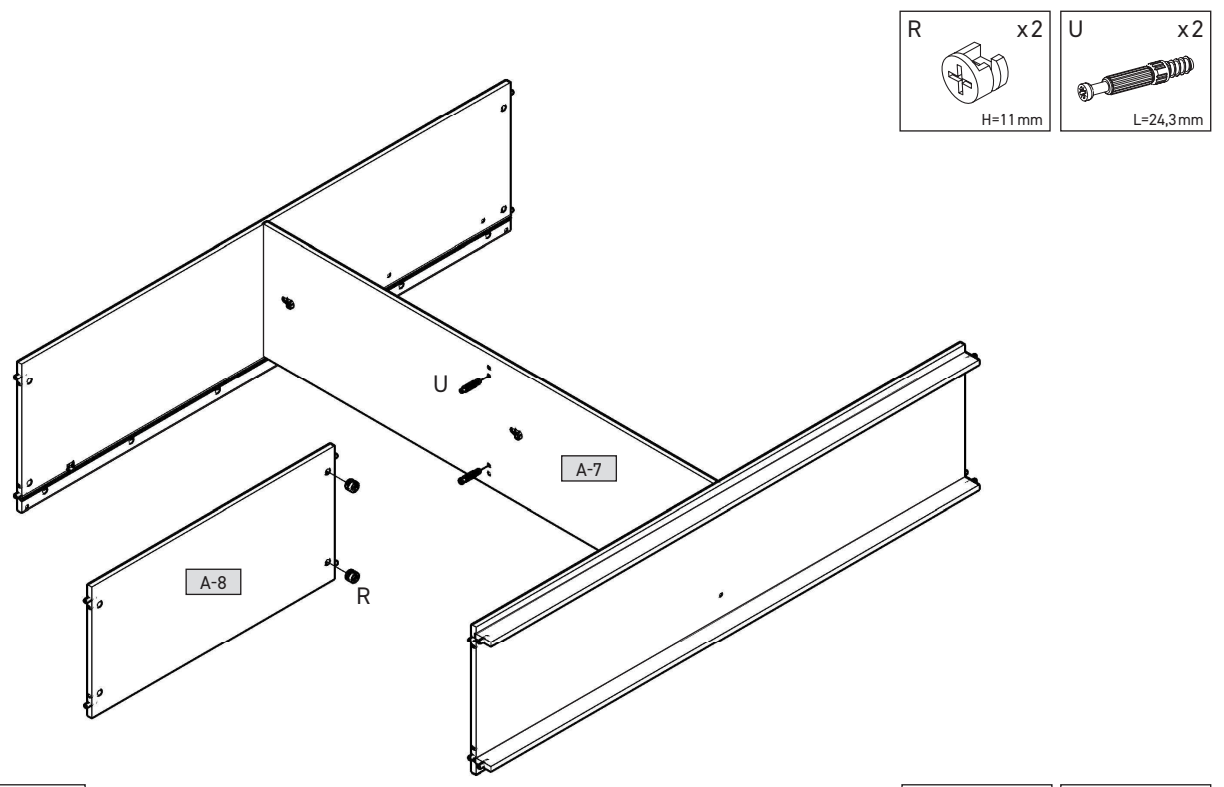
5



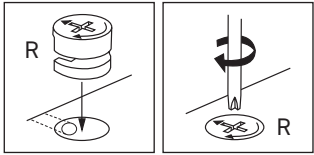
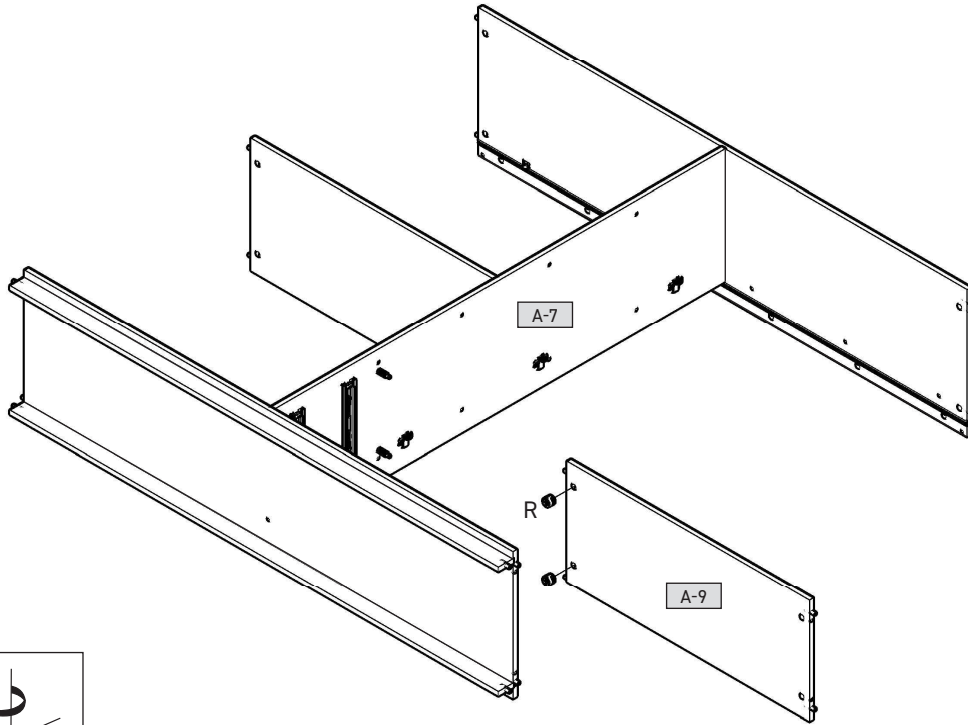
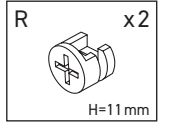
6



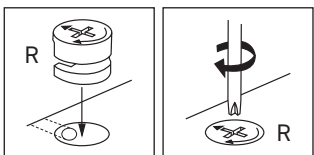
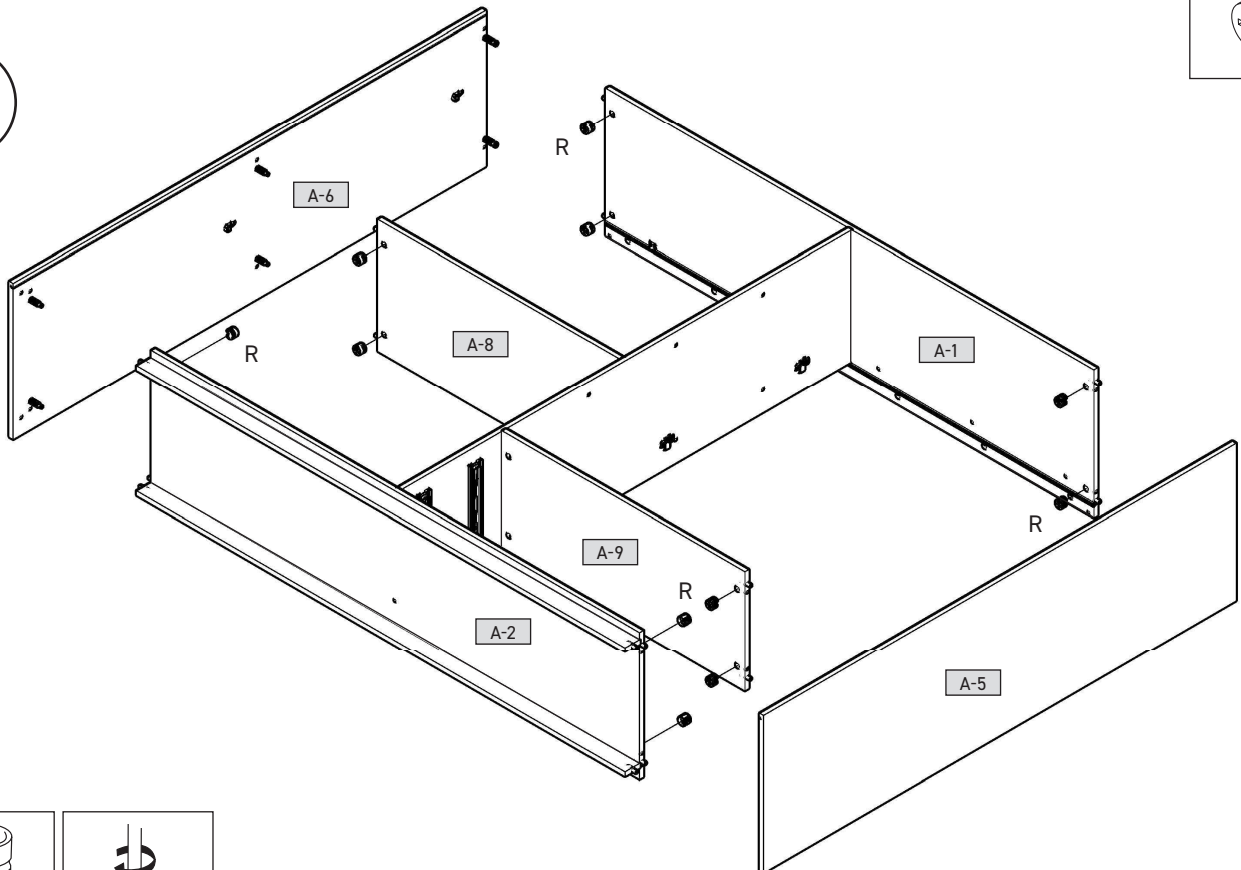
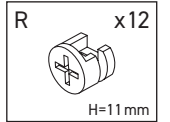
7



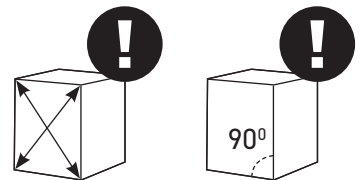
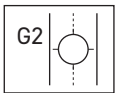
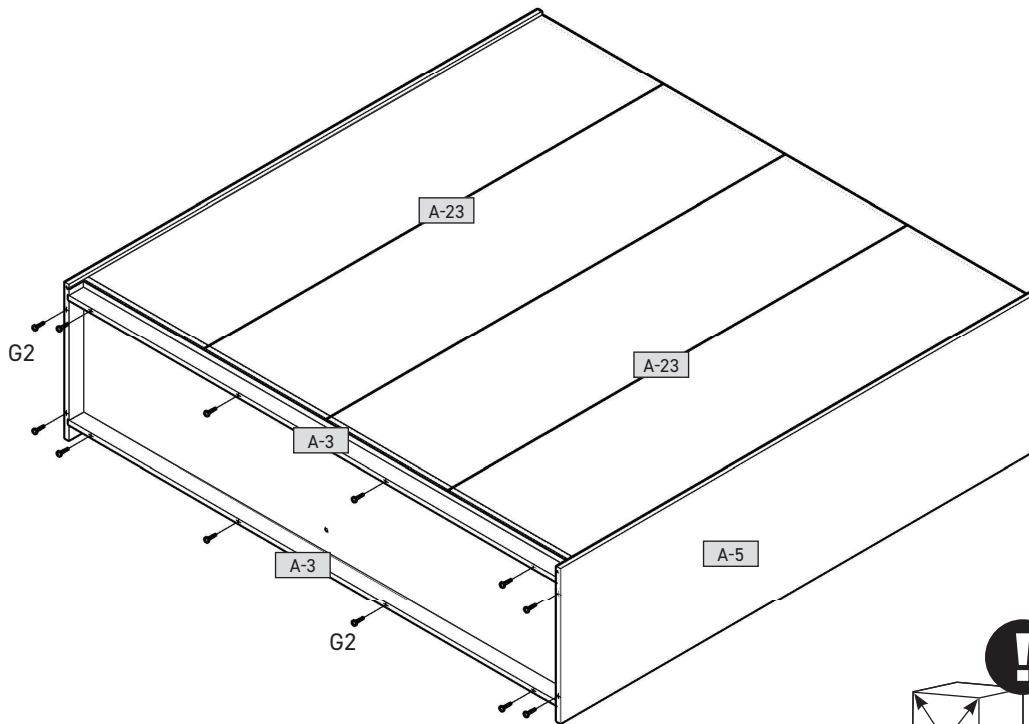
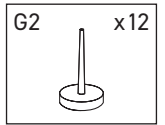
8



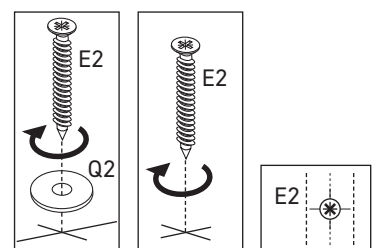
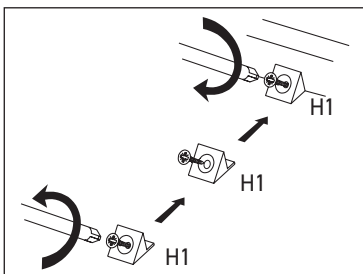
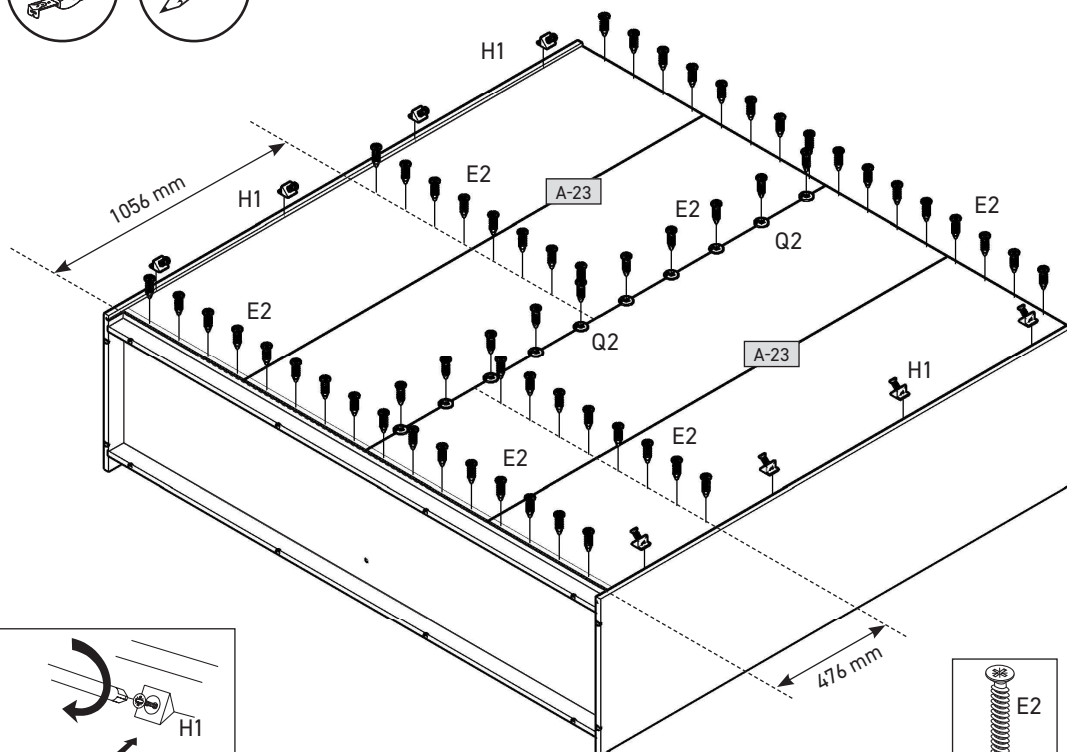
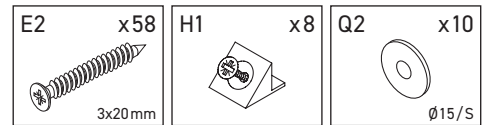
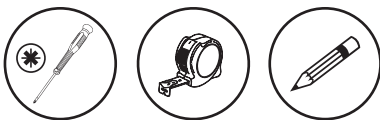
9



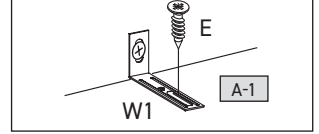
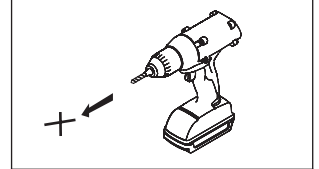
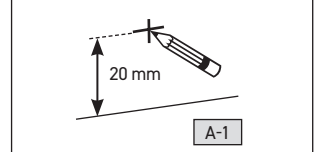
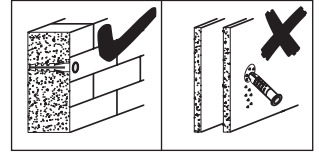
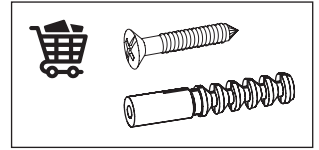
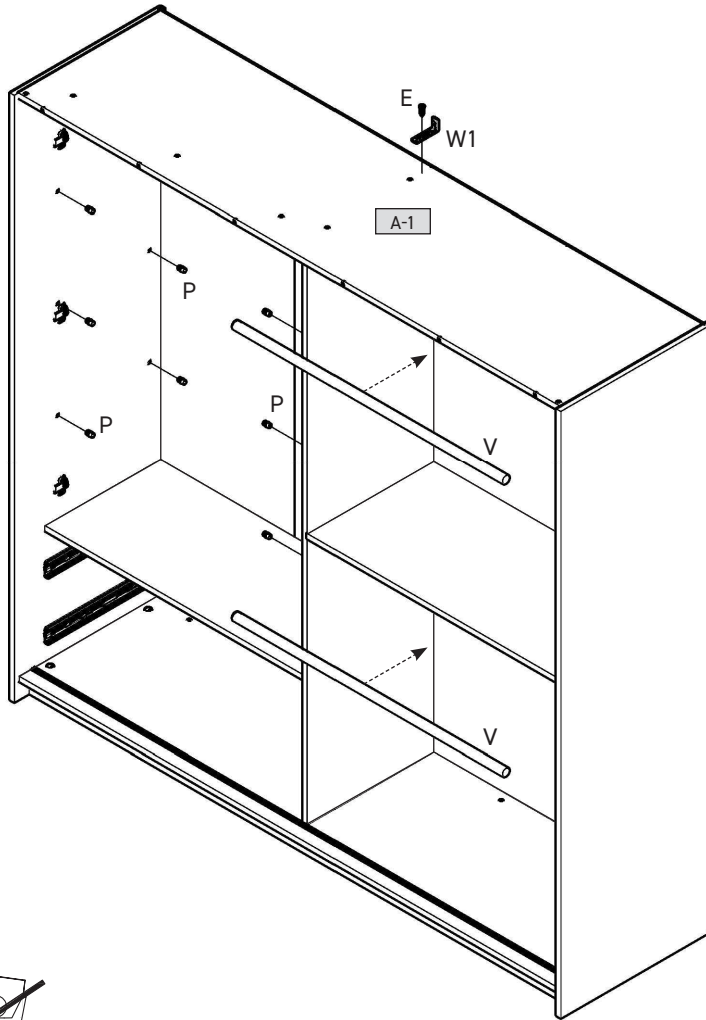
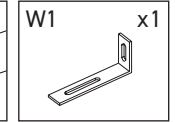
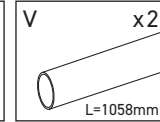
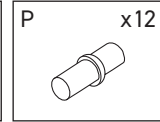
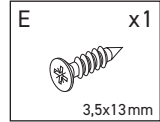
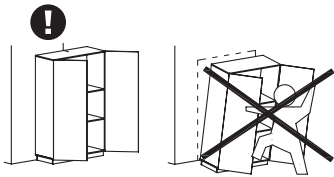
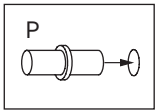
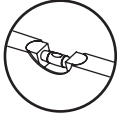
10



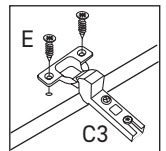
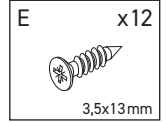
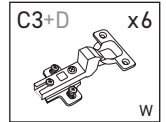
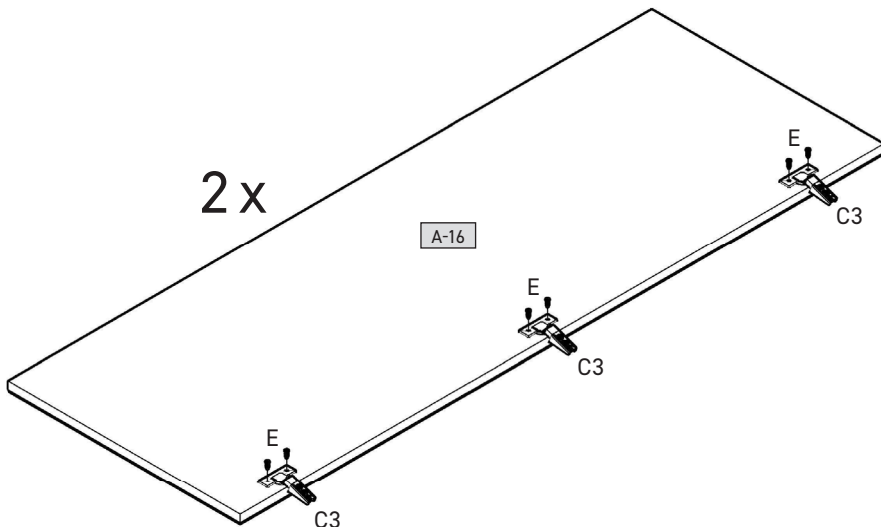
11



12



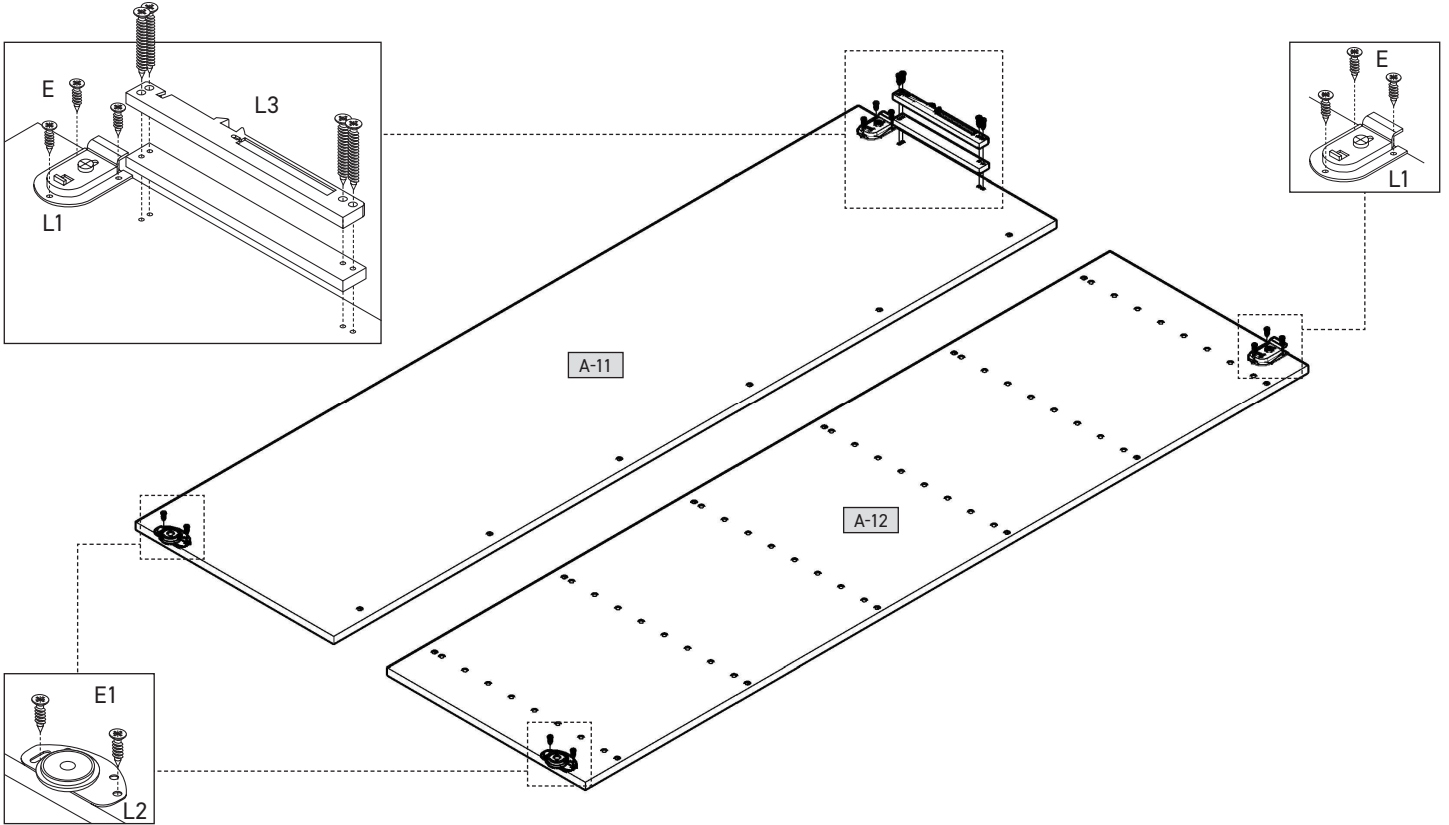
13



14



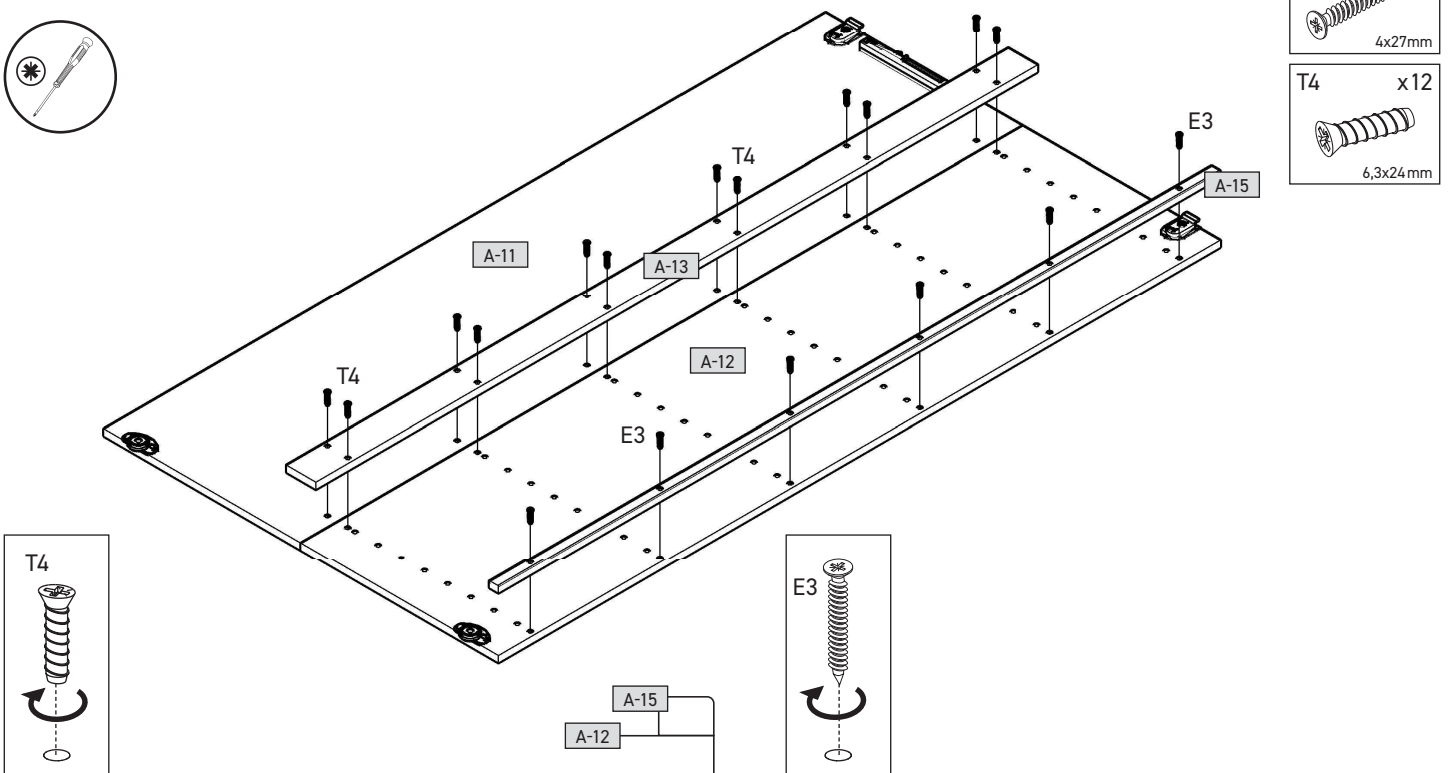
E	x6	E1	x4	L1	x2	L2	x2	L3	x1
	3,5x13mm		4x16mm		FAST		FAST		FAST



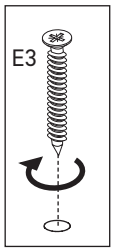
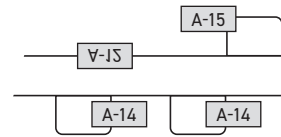
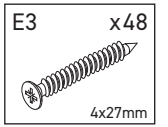
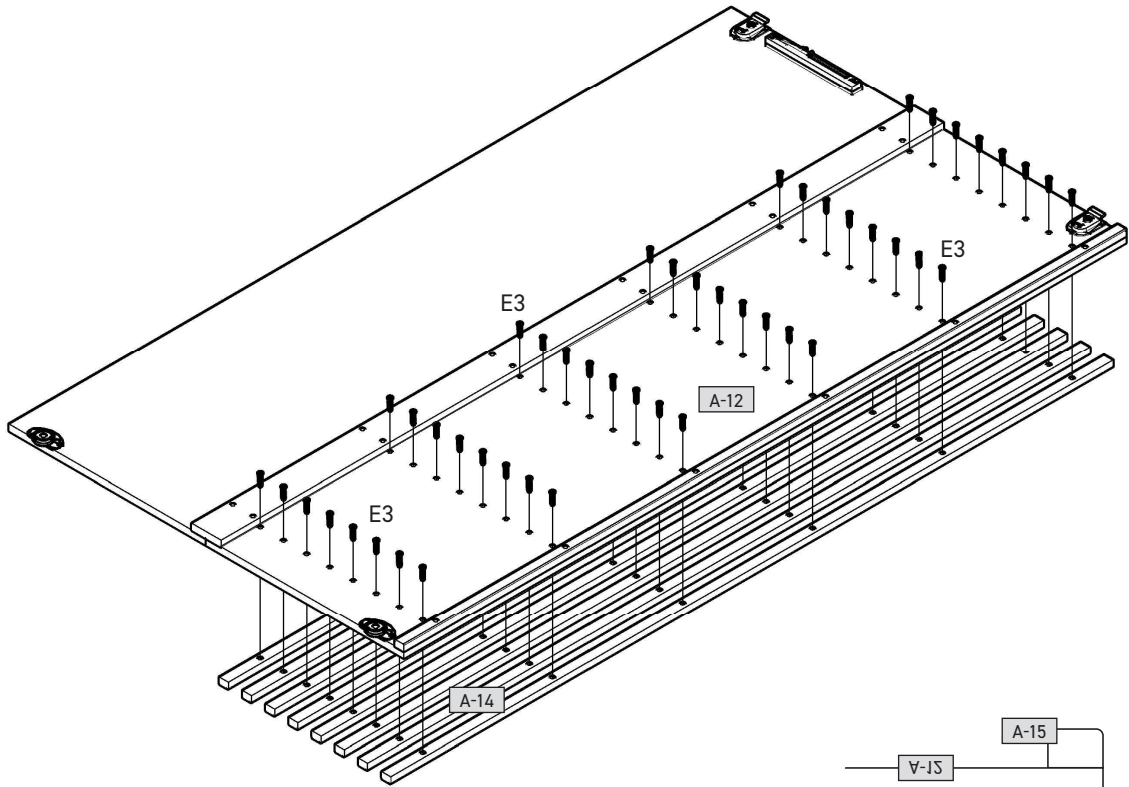
15



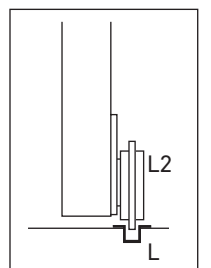
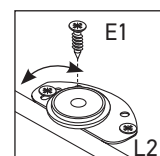
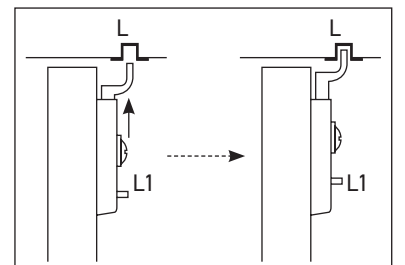
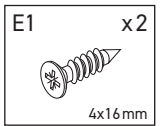
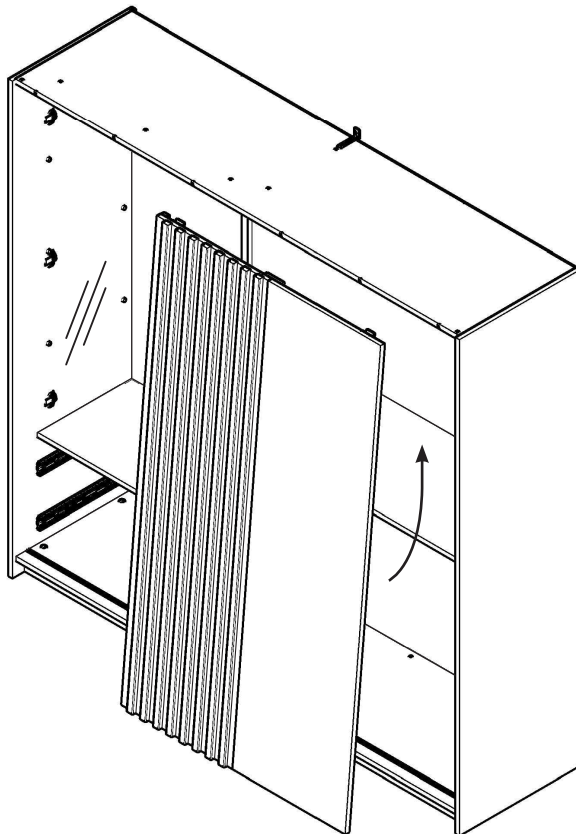
E3	x6	T4	x12
	4x27mm		6,3x24mm



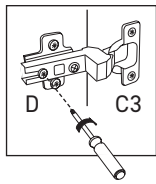
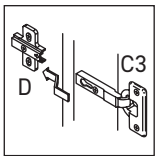
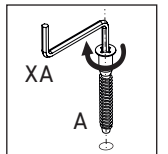
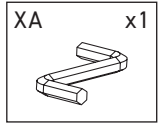
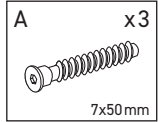
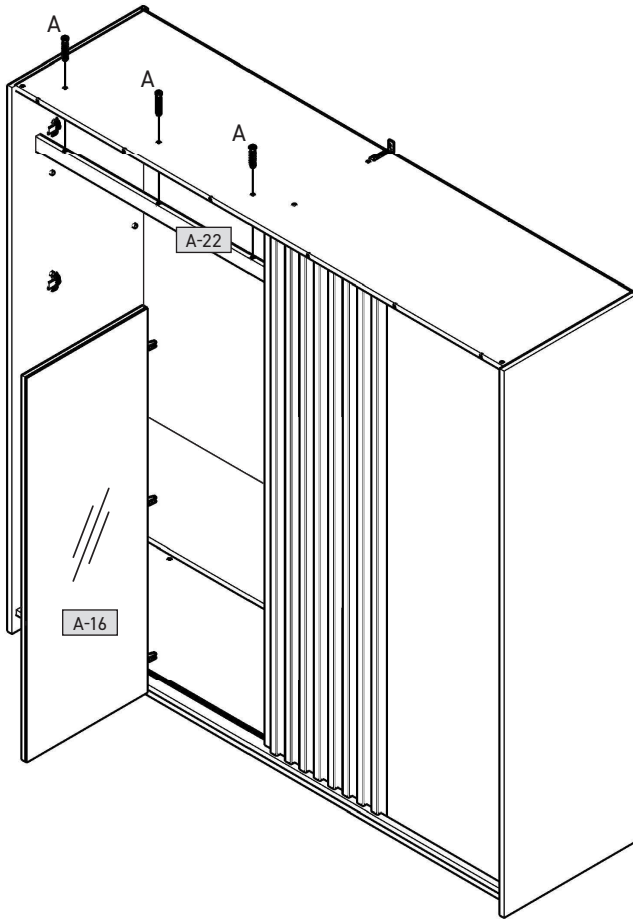
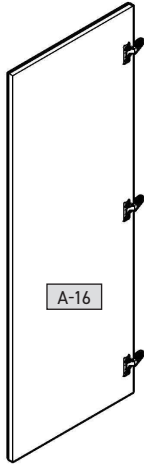
16



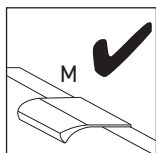
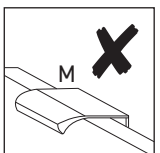
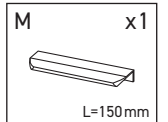
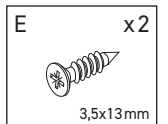
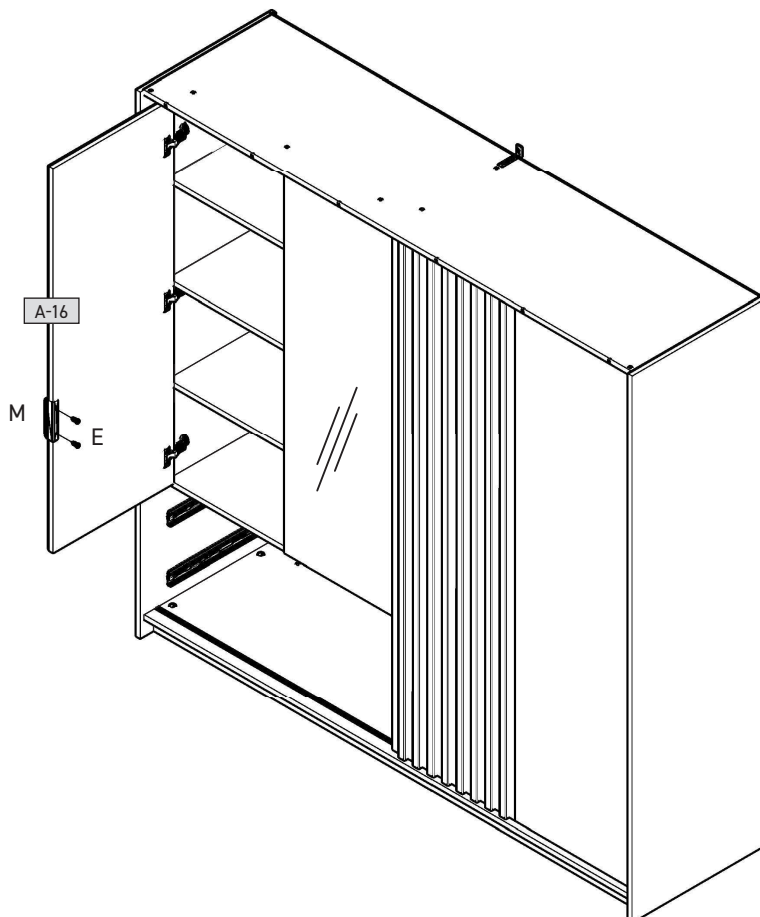
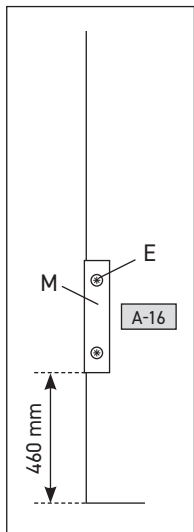
17



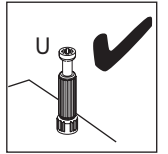
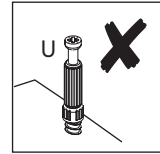
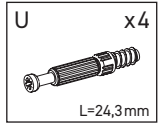
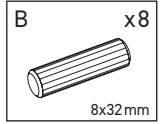
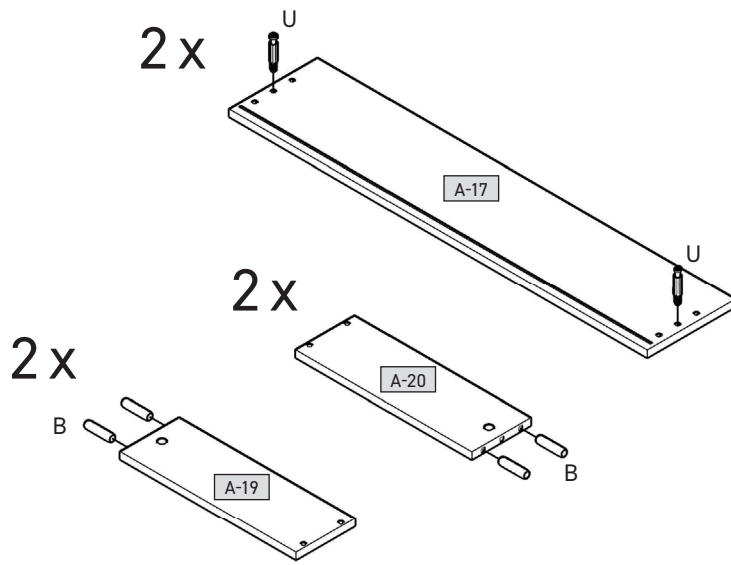
18



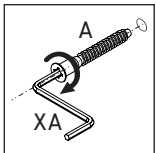
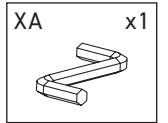
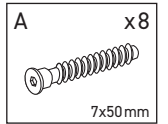
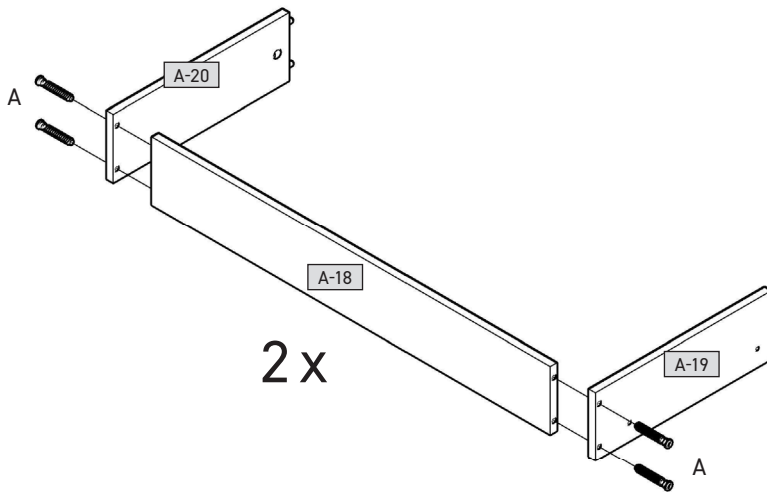
19



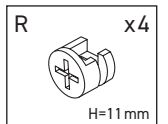
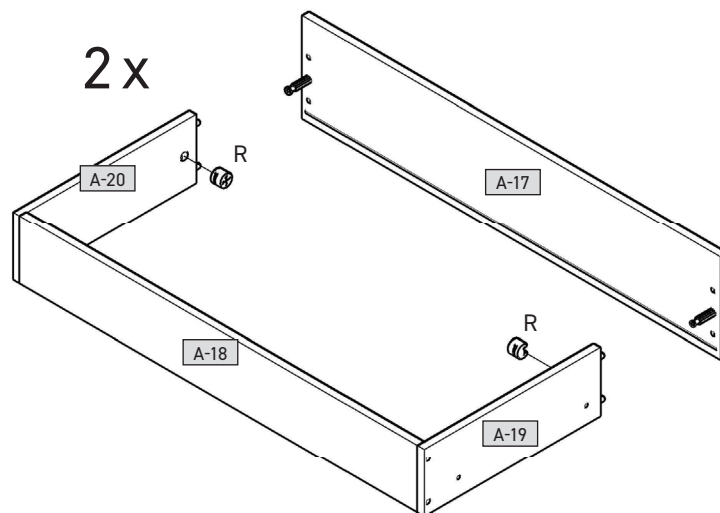
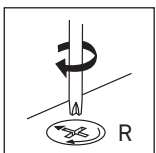
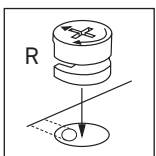
20



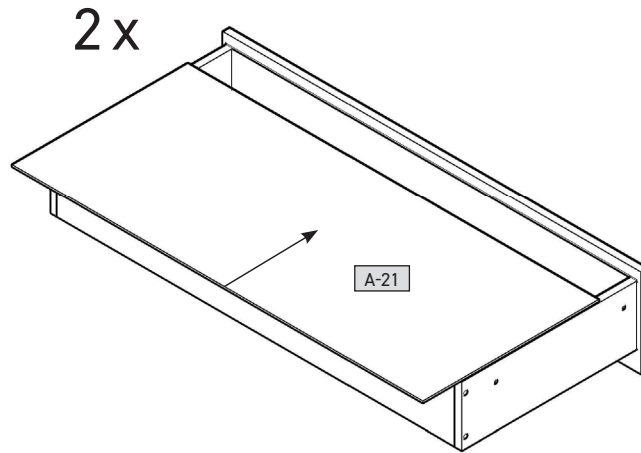
21



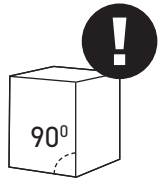
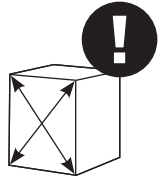
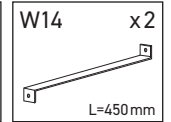
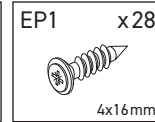
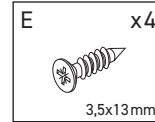
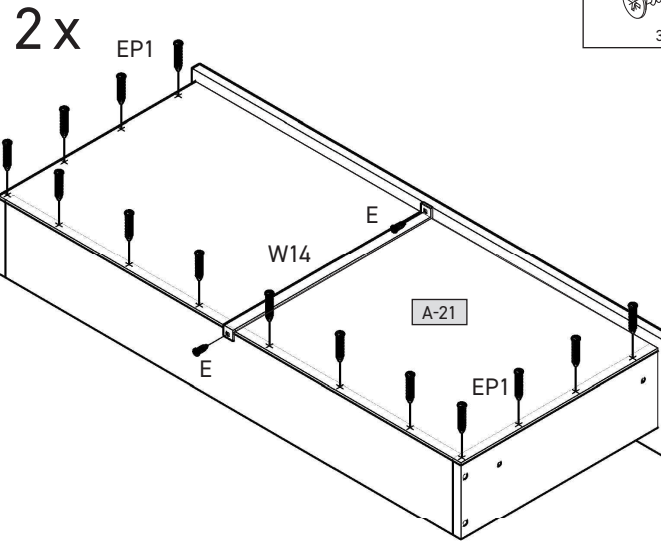
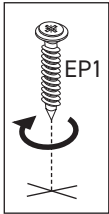
22



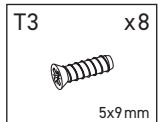
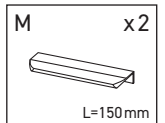
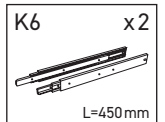
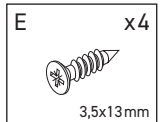
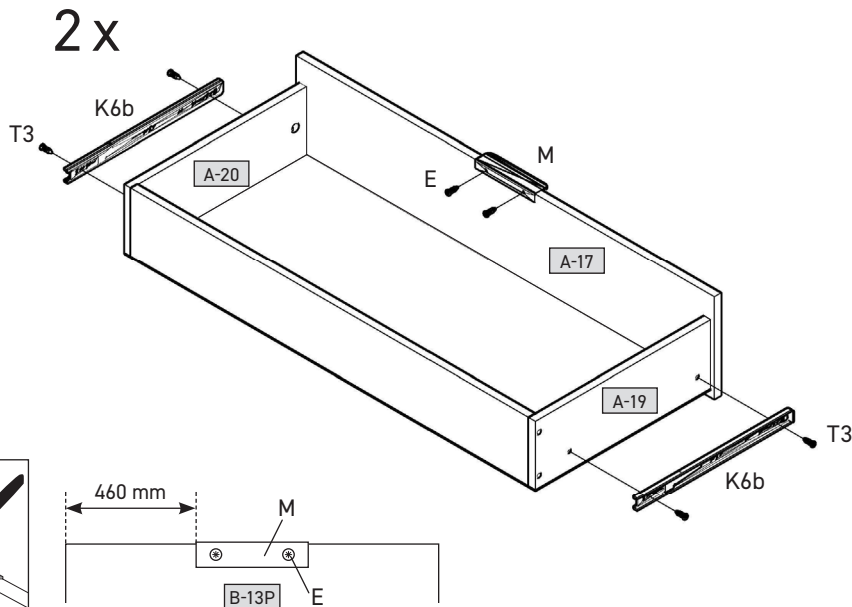
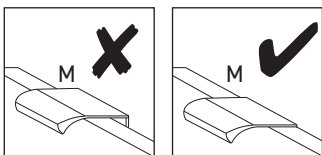
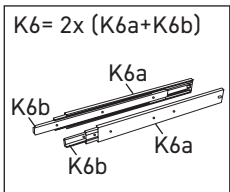
23



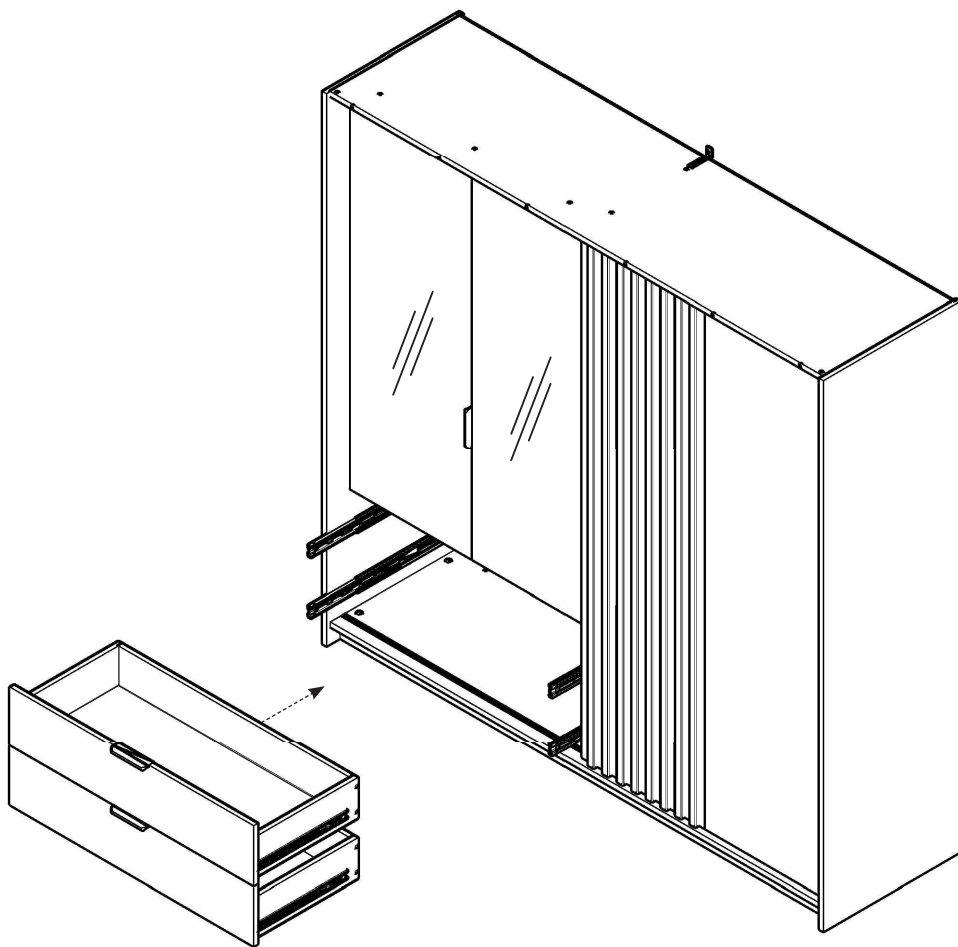
24



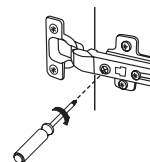
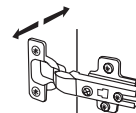
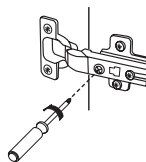
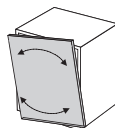
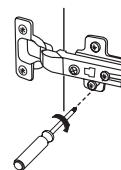
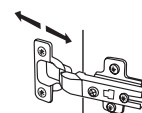
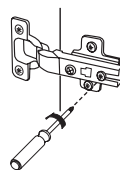
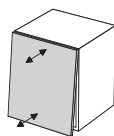
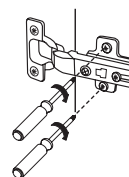
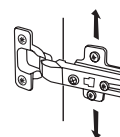
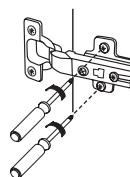
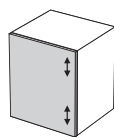
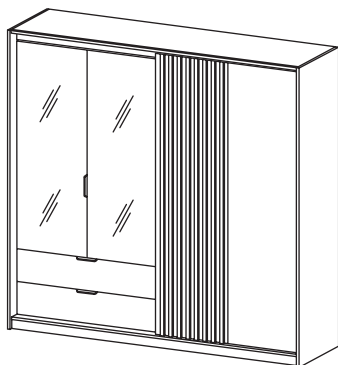
25



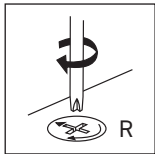
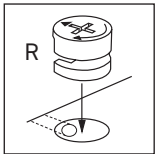
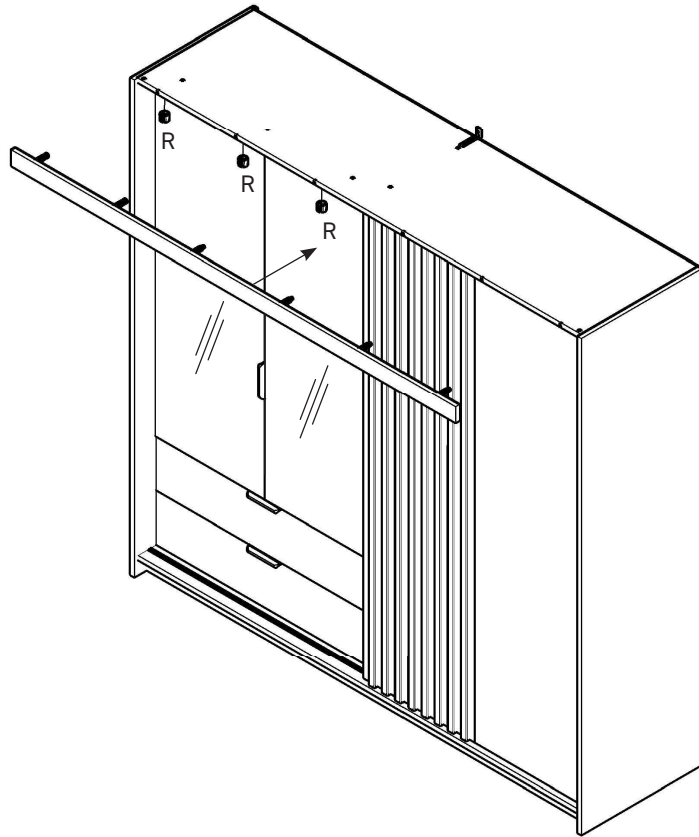
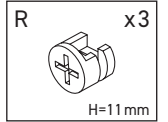
26



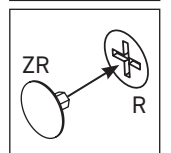
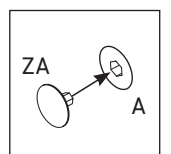
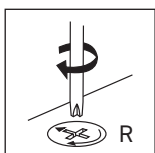
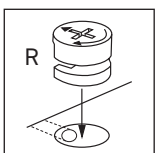
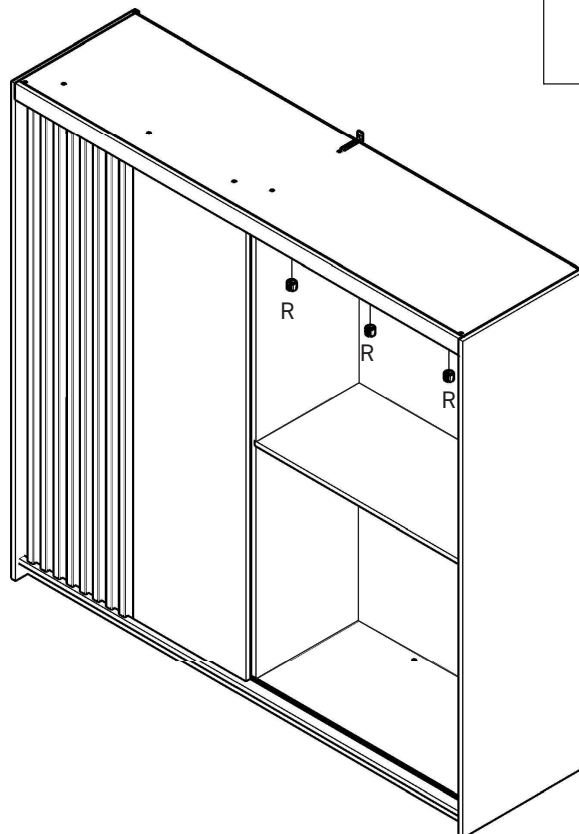
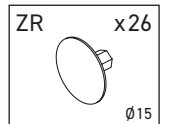
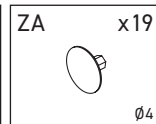
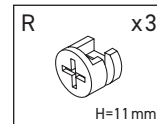
27

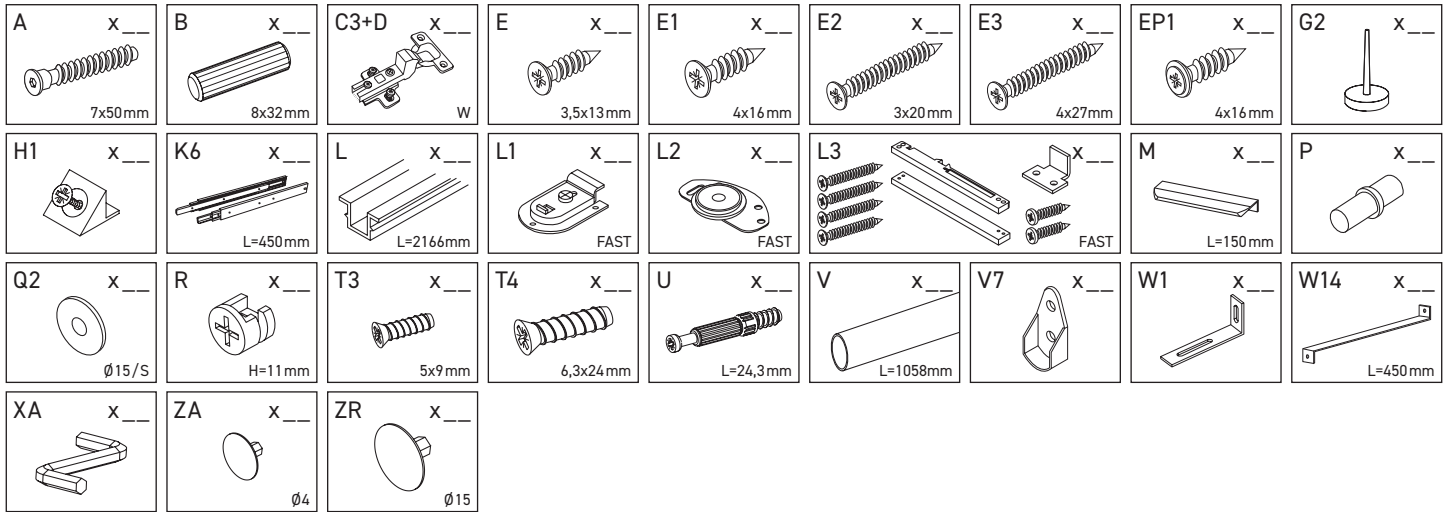


28



29





A-1	2168	568	16	x 1	2/5
A-2	2168	568	16	x 1	2/5
A-3	2168	65	16	x 2	2/5
A-4	2168	65	16	x 1	2/5
A-5	2100	600	16	x 1	1/5
A-6	2100	600	16	x 1	1/5
A-7	2003	505	16	x 1	1/5
A-8	1076	505	16	x 1	3/5
A-9	1076	463	16	x 1	3/5
A-10	1076	463	16	x 3	3/5
A-11	544	1990	16	x 1	4/5
A-12	544	1990	16	x 1	4/5
A-13	80	1990	16	x 1	2/5
A-14	24	1990	16	x 8	4/5
A-15	24	1990	16	x 1	4/5
A-16	533	1480	16	x 2	5/5
A-17	1070	225	16	x 2	2/5
A-18	1020	150	16	x 2	4/5
A-19	450	150	16	x 2	4/5
A-20	450	150	16	x 2	4/5
A-21	1050	456	3	x 2	3/5
A-22	1076	53	16	x 1	3/5
A-23	1090	2032	3	x 2	1/5

