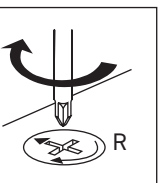
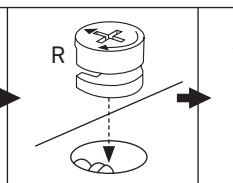
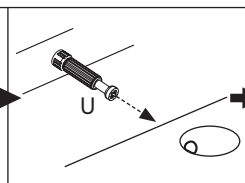
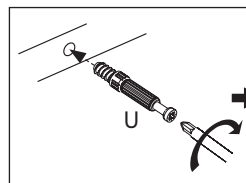
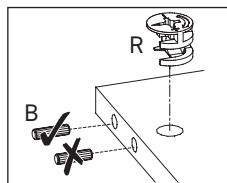
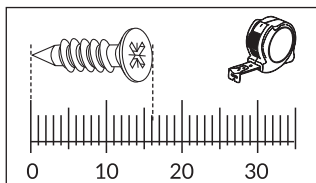
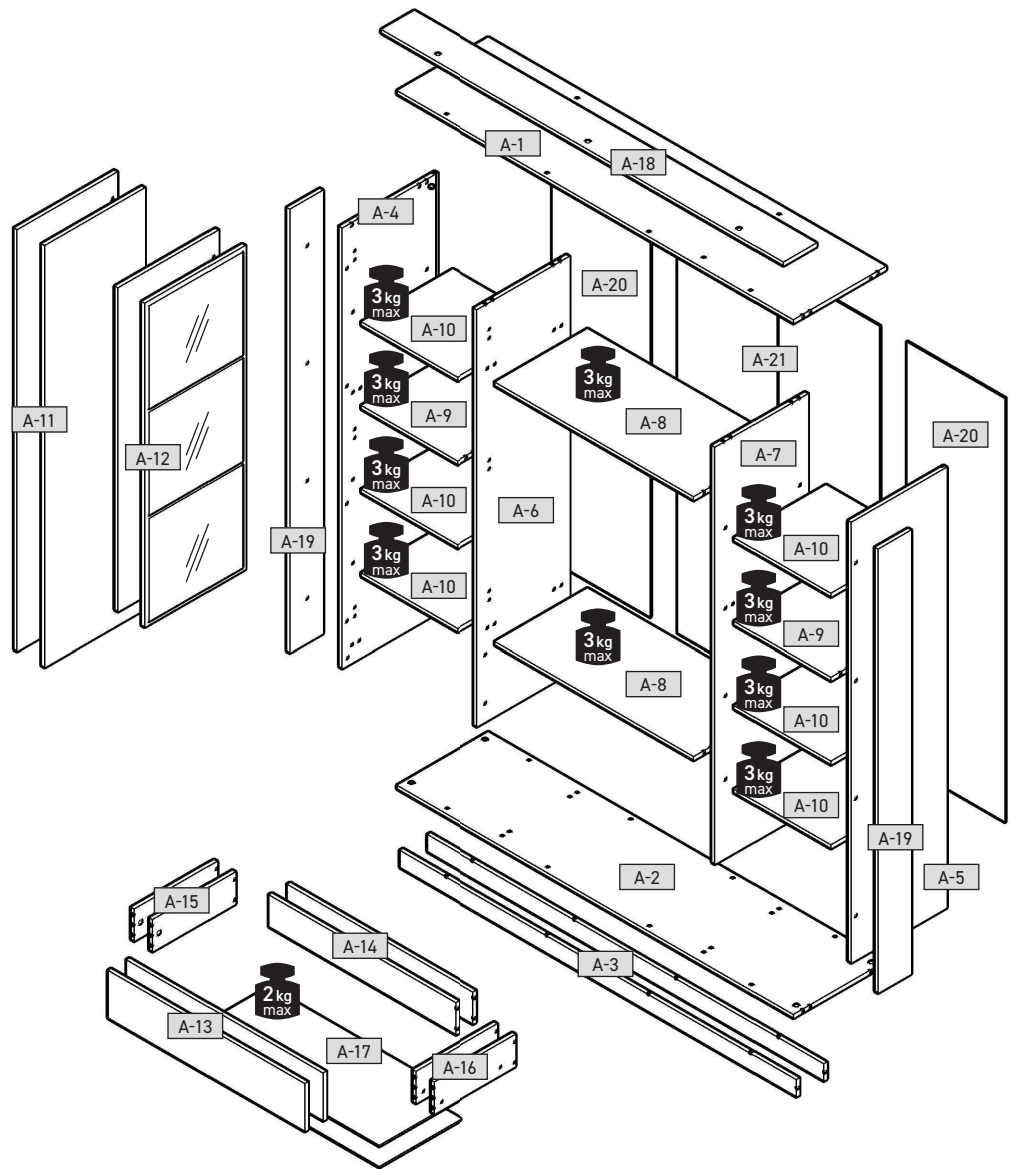
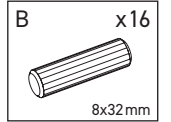
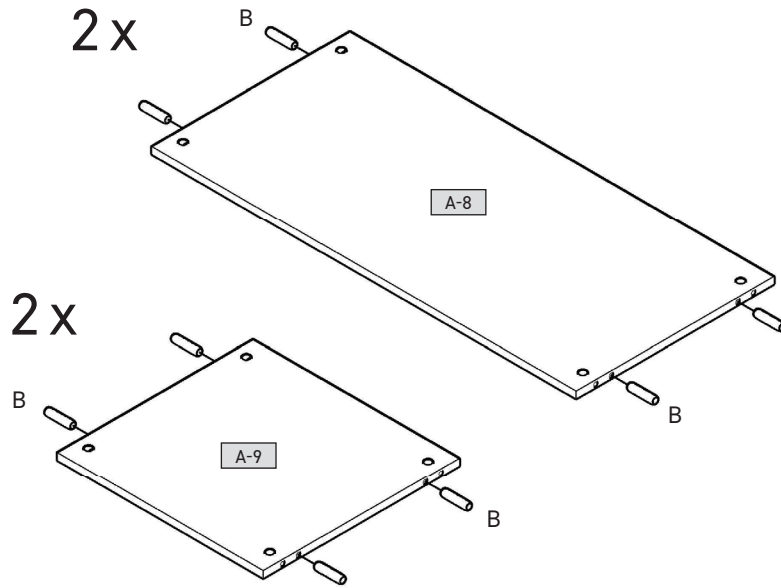


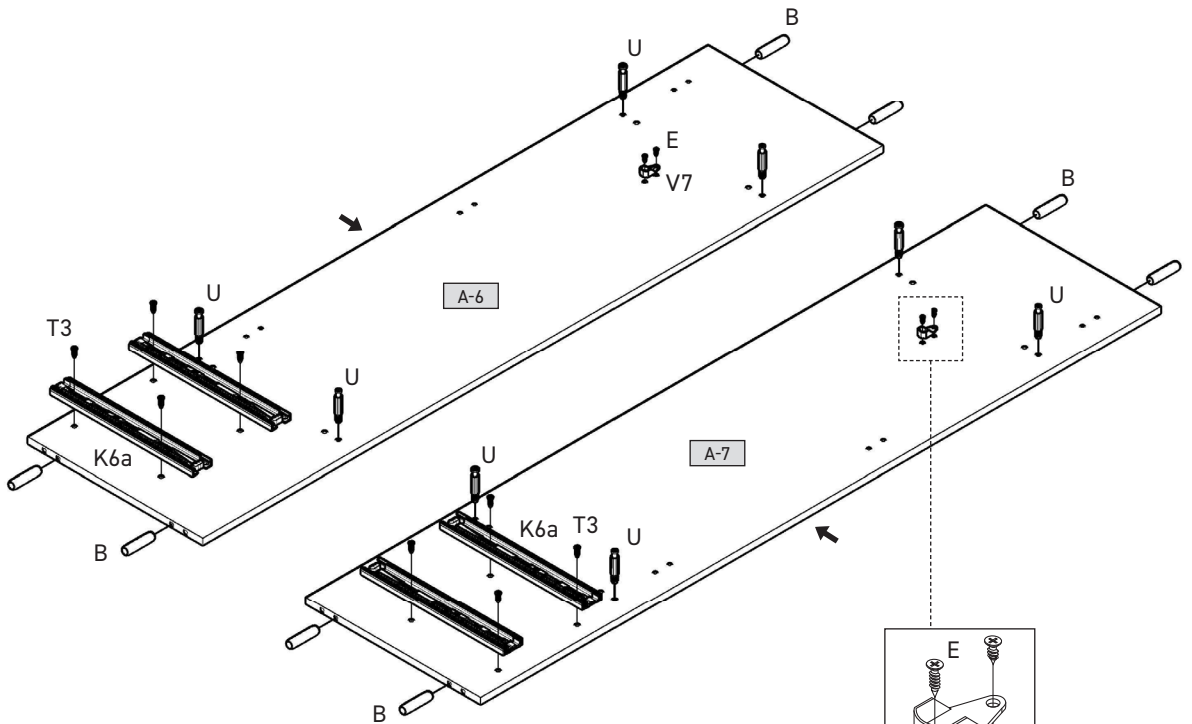
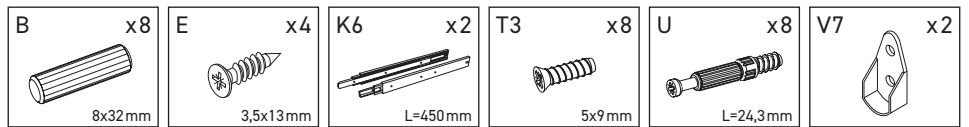
A-1	2168	505	16	x 1	2/5
A-2	2168	505	16	x 1	2/5
A-3	2168	80	16	x 2	2/5
A-4	2080	520	16	x 1	1/5
A-5	2080	520	16	x 1	1/5
A-6	1968	505	16	x 1	1/5
A-7	1968	505	16	x 1	1/5
A-8	1084	505	16	x 2	3/5
A-9	526	500	16	x 2	3/5
A-10	526	500	16	x 6	3/5
A-11	1992	546	16	x 2	5/5
A-12	546	1530	16	x 2	4/5
A-13	1096	227	16	x 2	4/5
A-14	1028	150	16	x 2	2/5
A-15	450	150	16	x 2	2/5
A-16	450	150	16	x 2	4/5
A-17	1058	456	3	x 2	3/5
A-18	2200	180	16	x 1	2/5
A-19	2096	180	16	x 2	2/5
A-20	541	1997	3	x 2	5/5
A-21	1100	1997	3	x 1	5/5



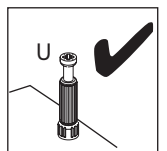
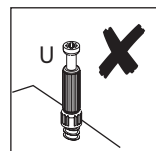
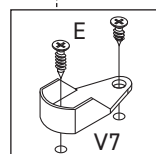
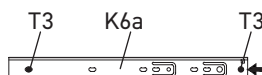
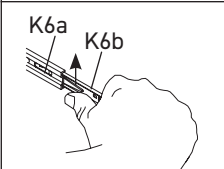
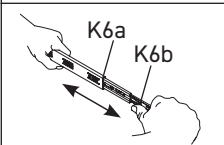
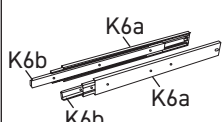
1



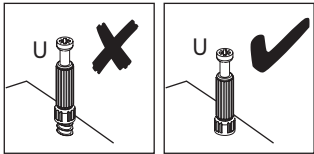
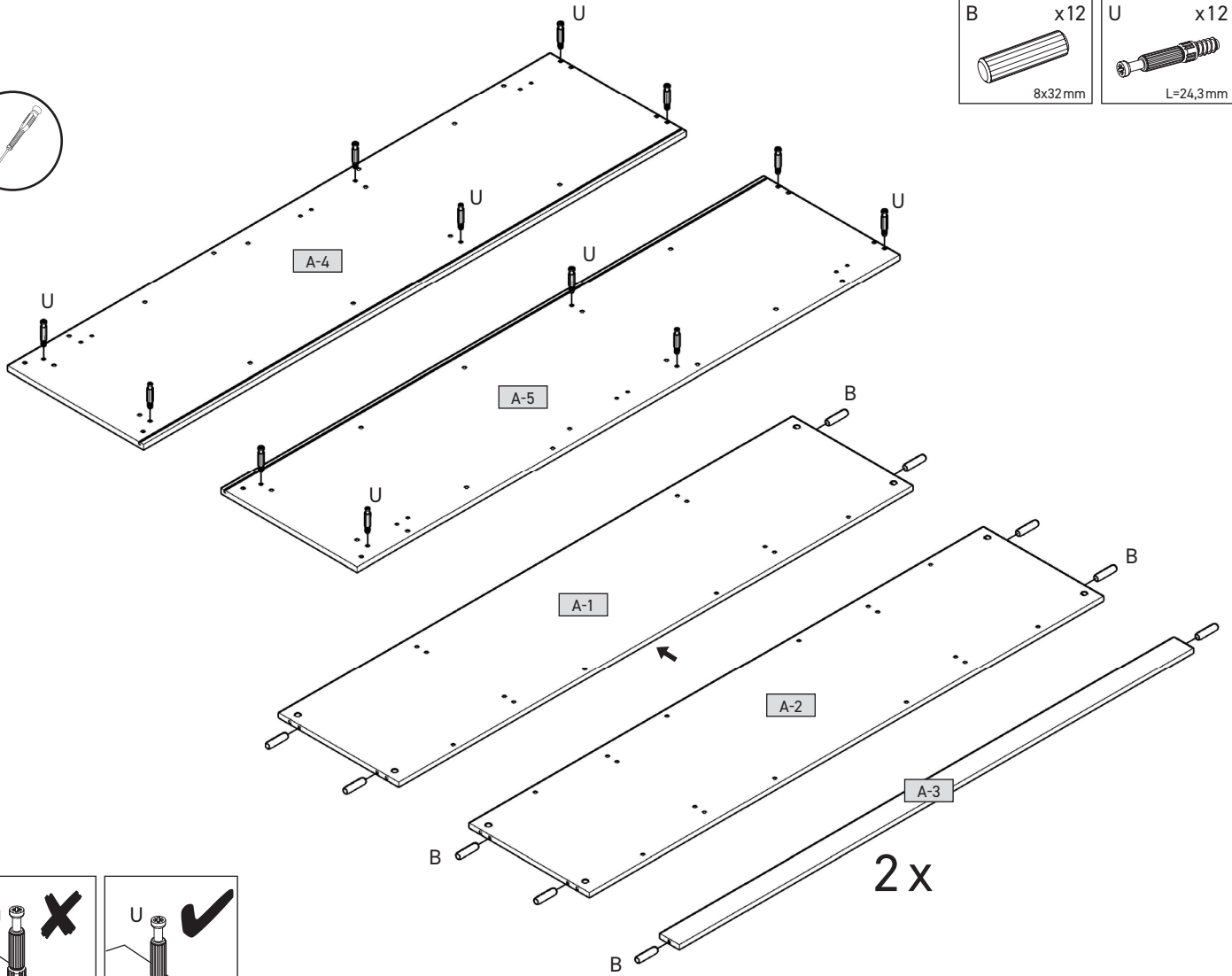
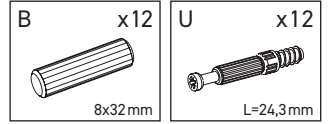
2



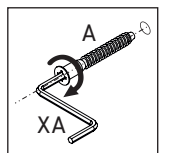
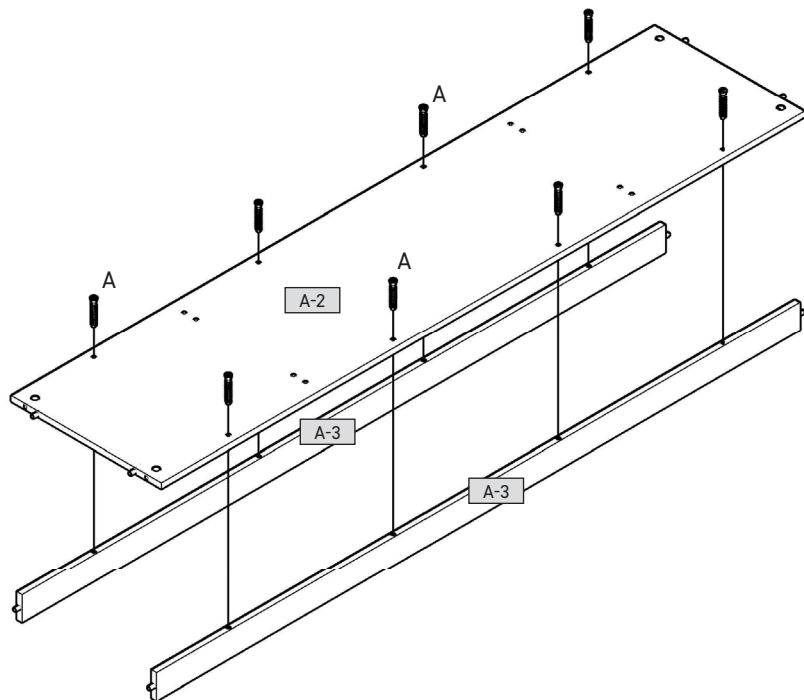
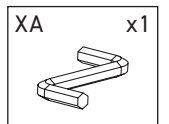
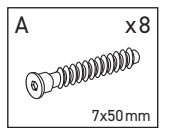
K6= 2x (K6a+K6b)



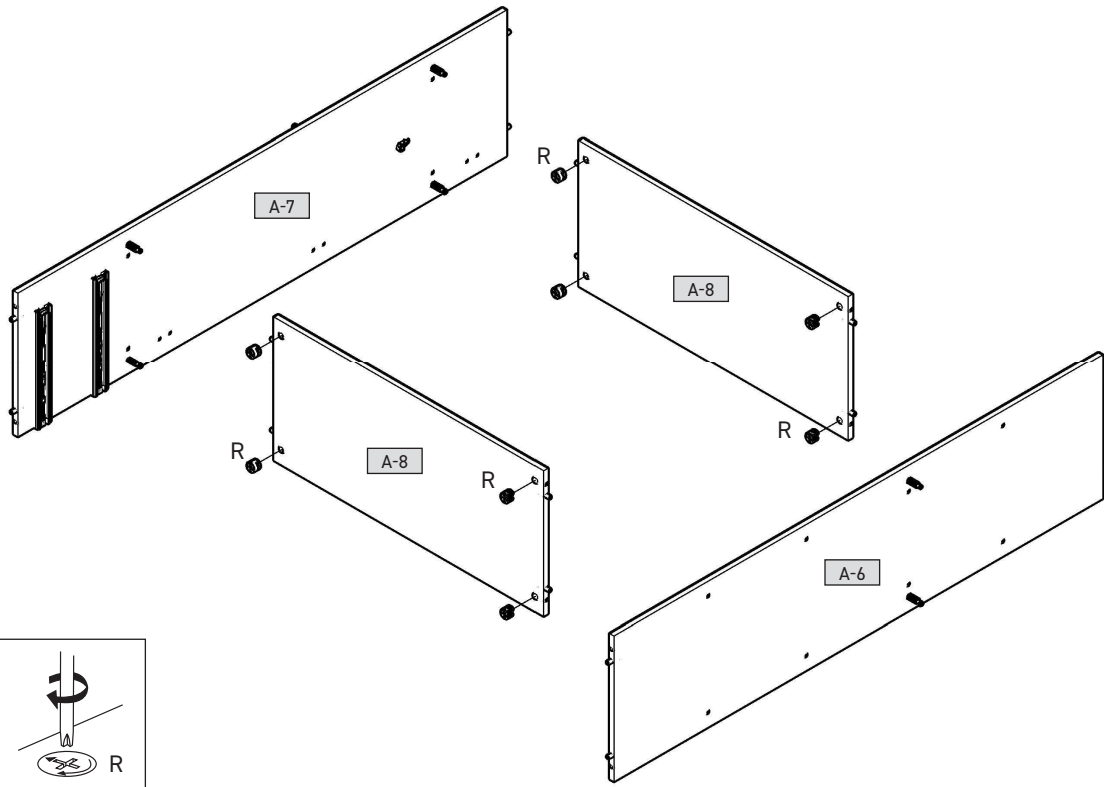
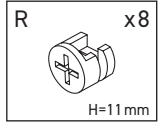
3



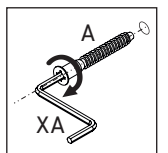
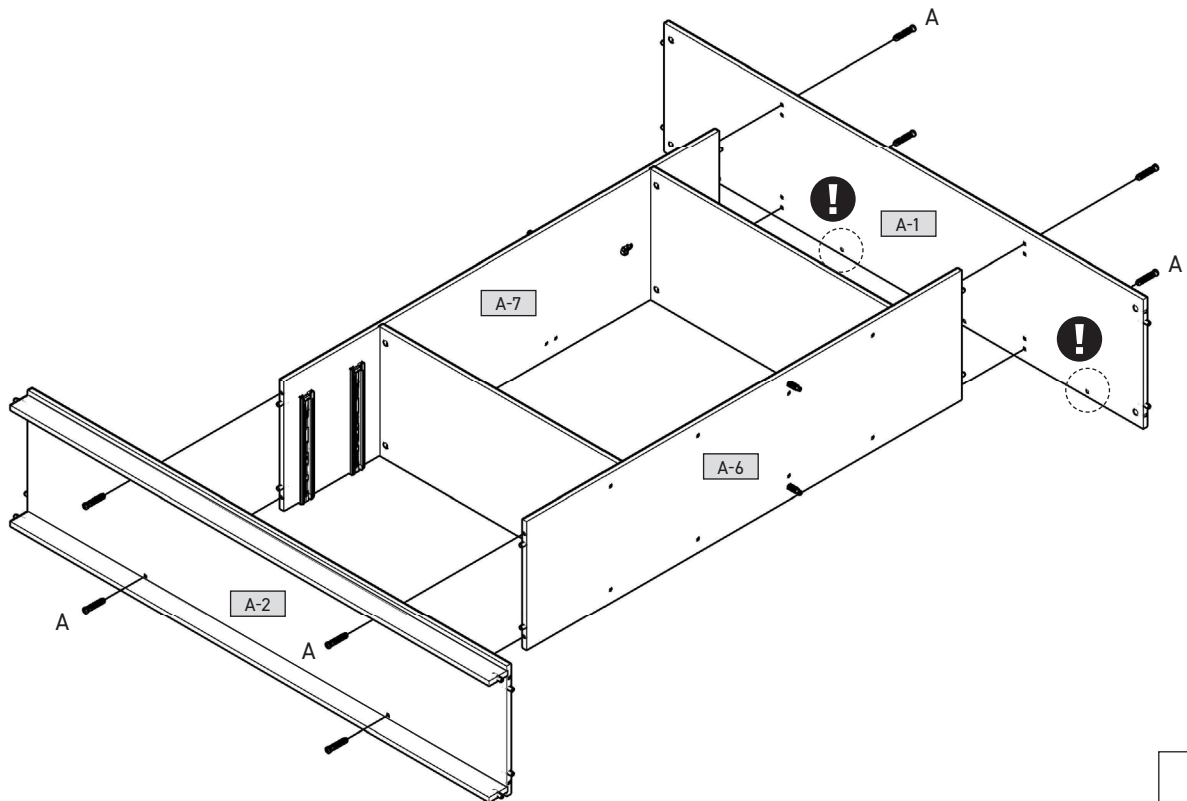
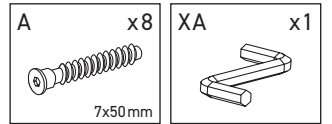
4



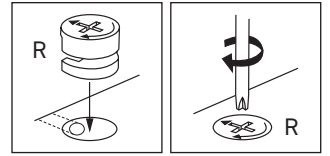
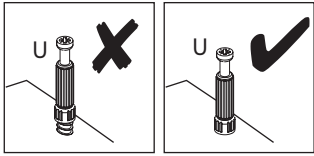
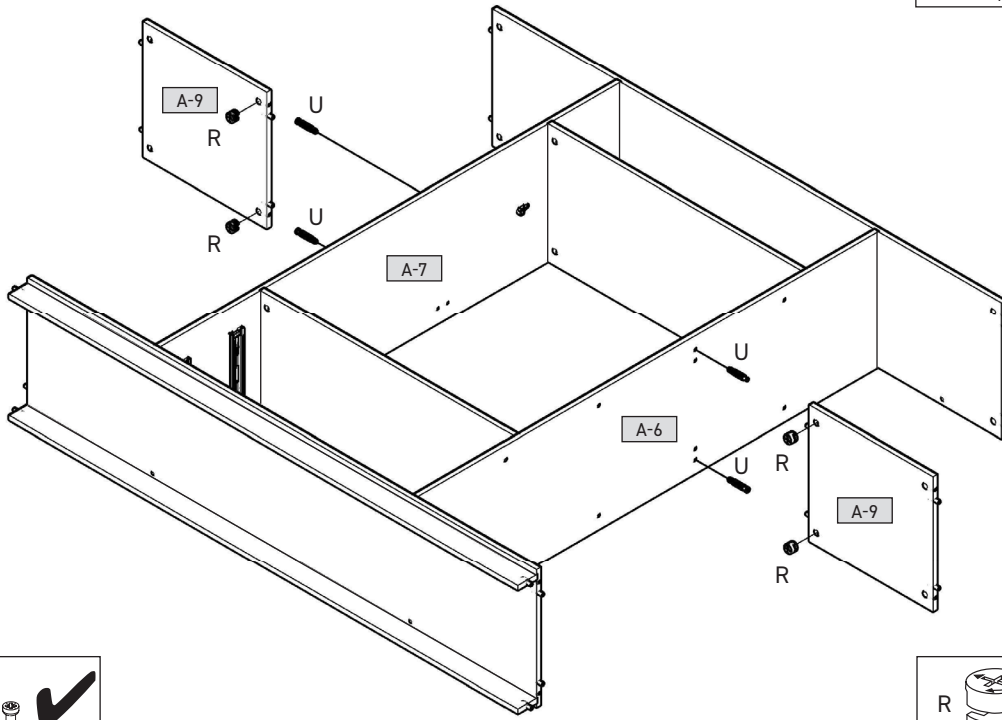
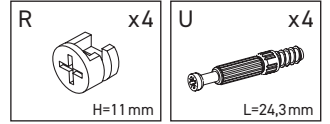
5



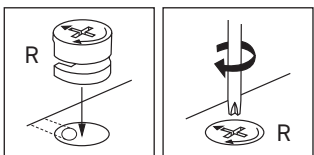
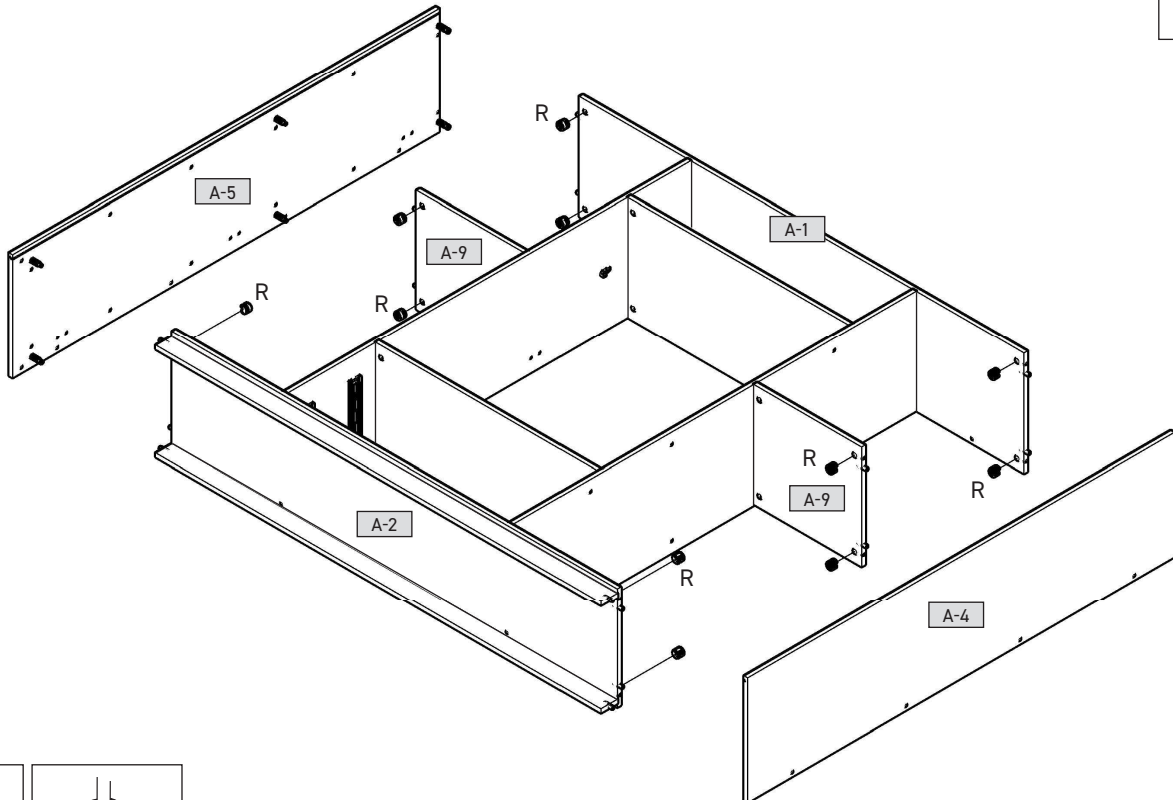
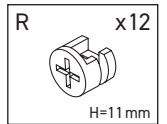
6



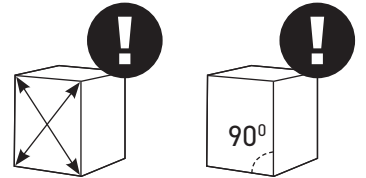
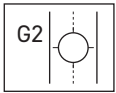
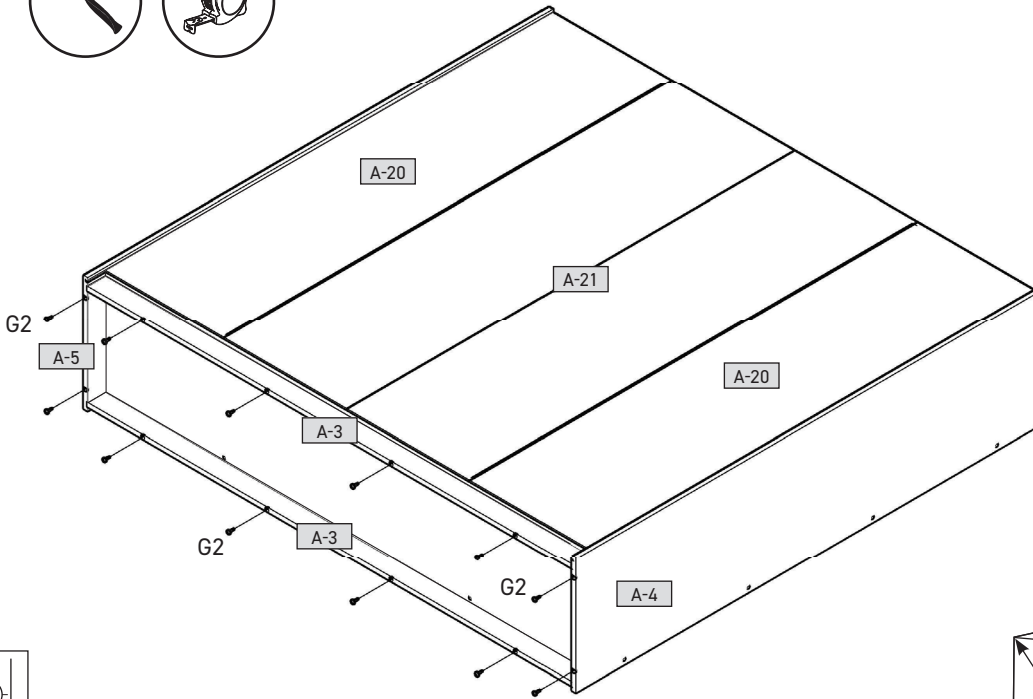
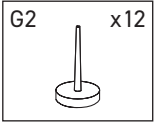
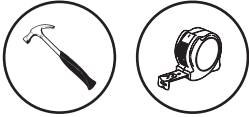
7



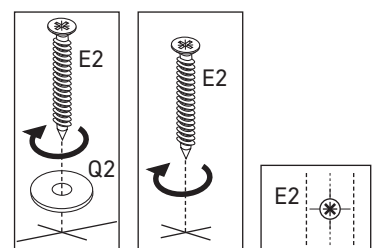
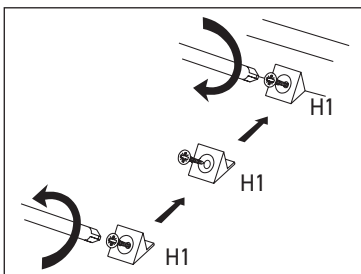
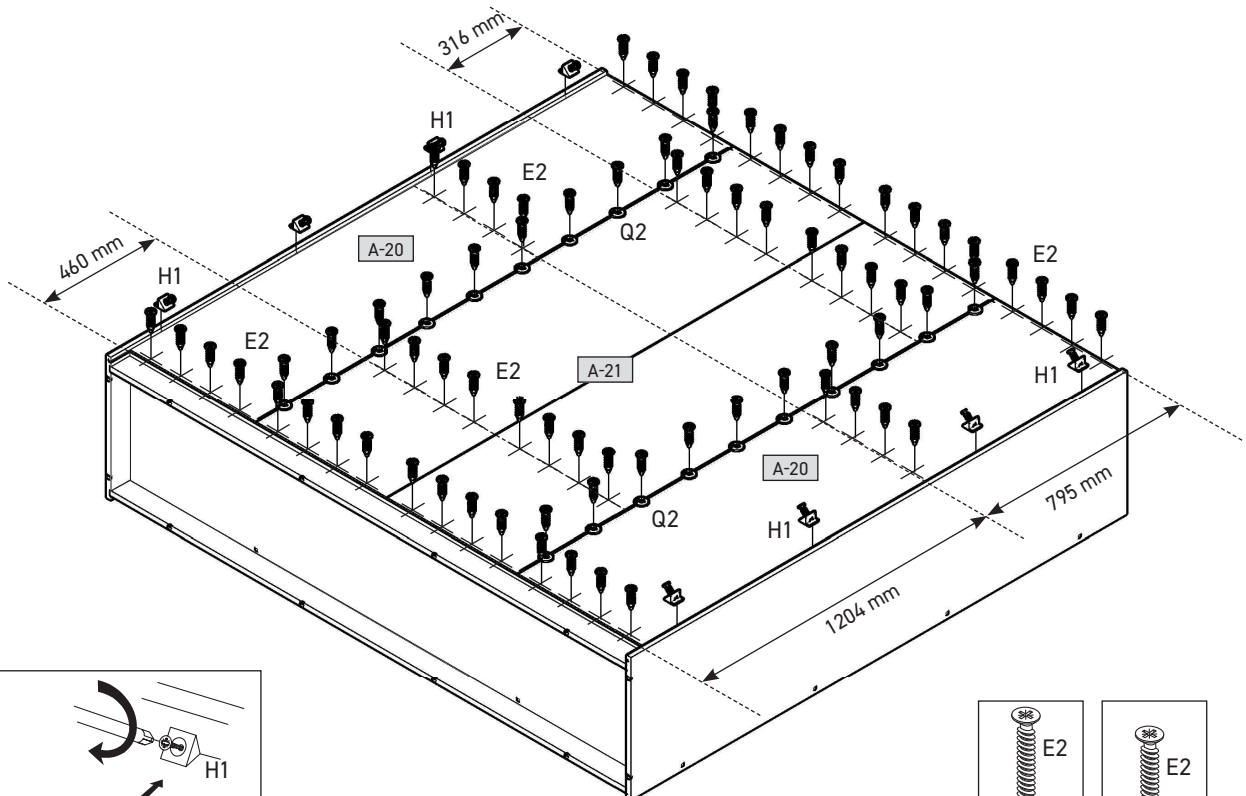
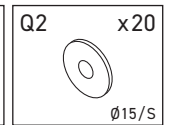
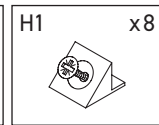
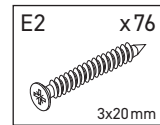
8



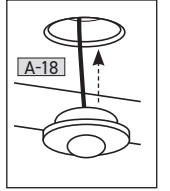
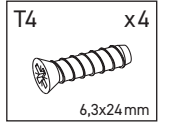
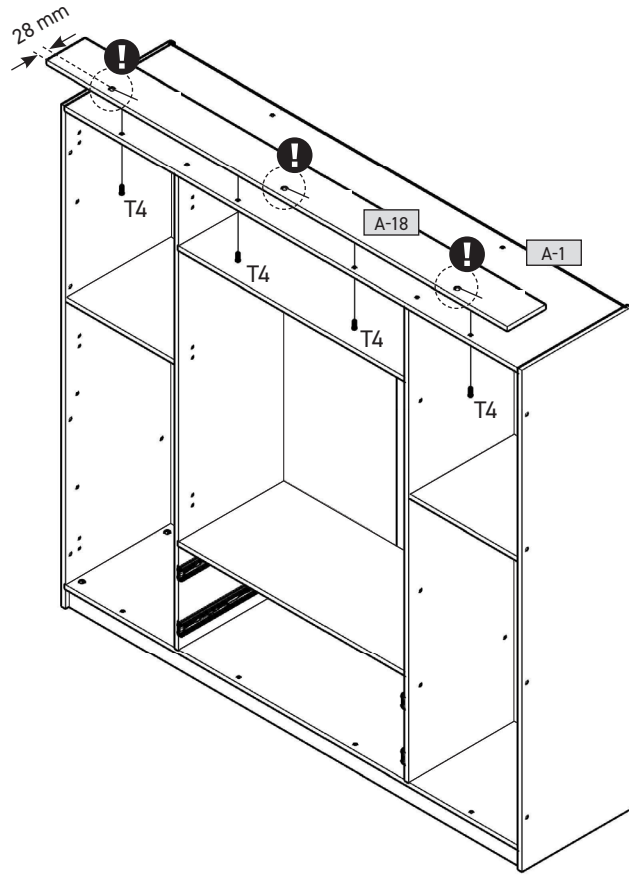
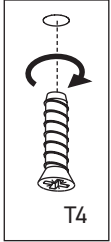
9



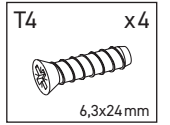
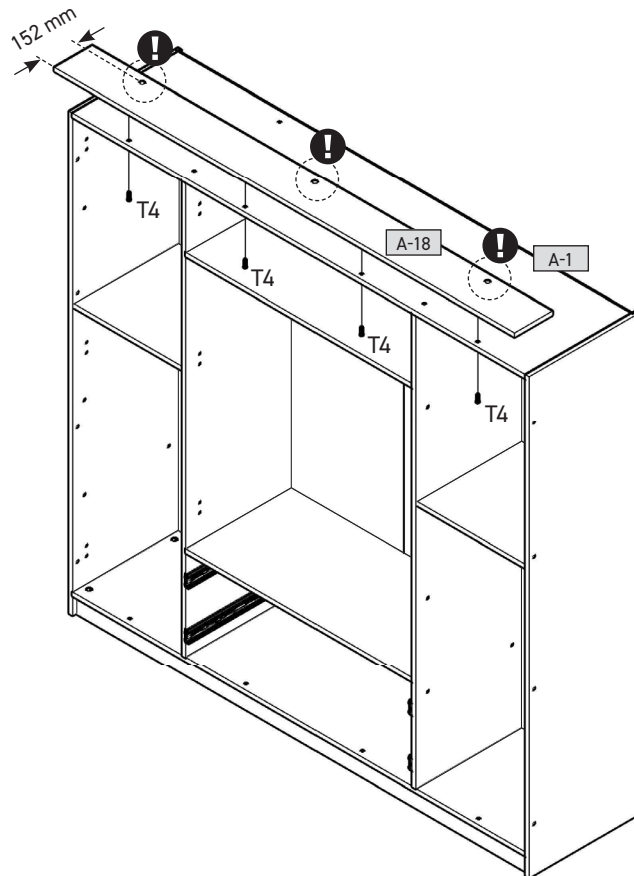
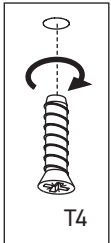
10



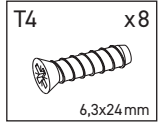
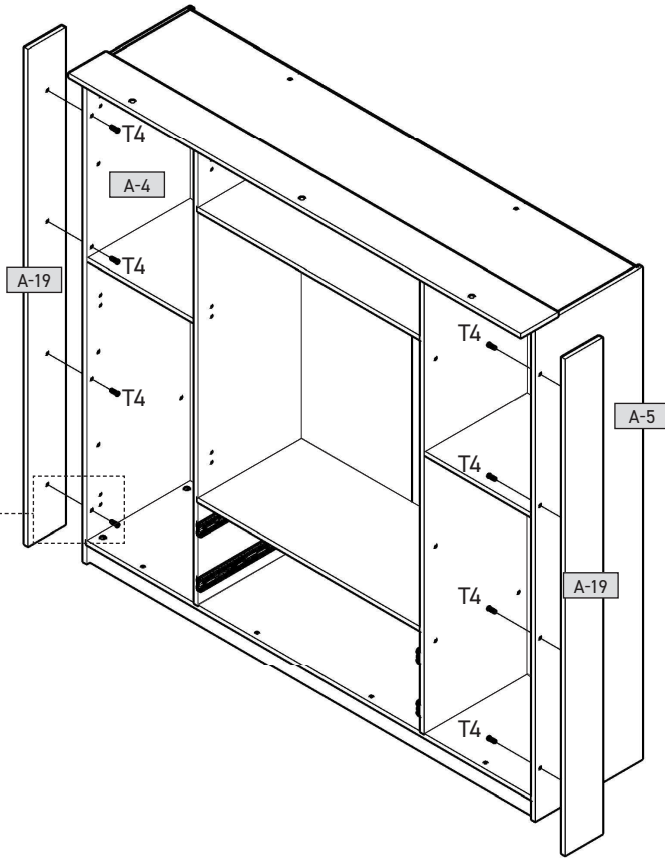
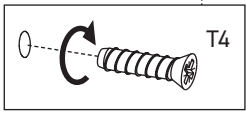
11



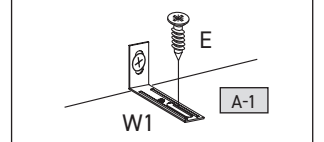
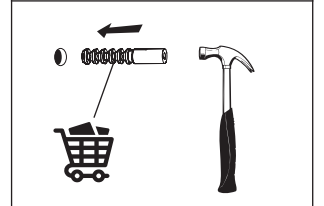
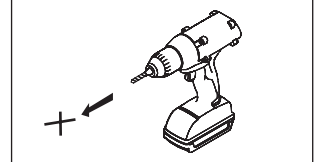
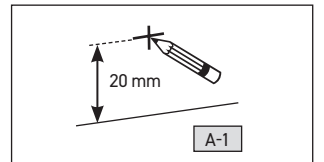
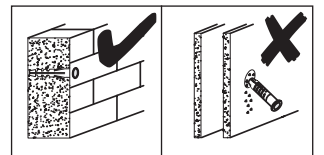
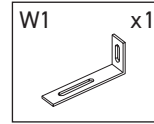
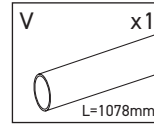
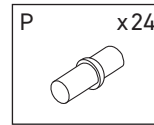
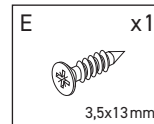
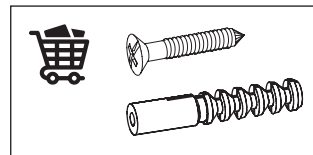
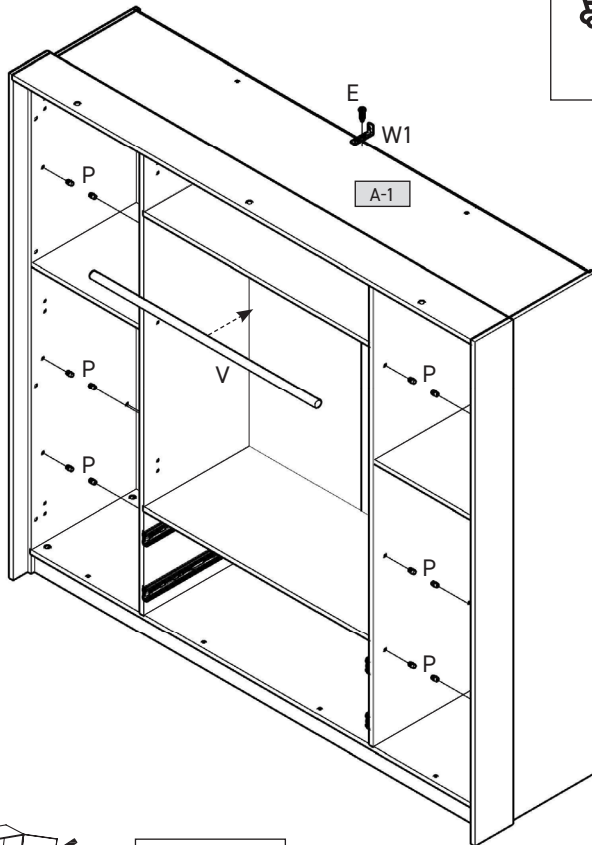
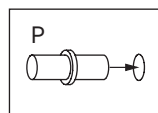
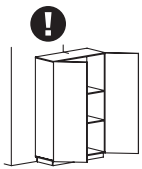
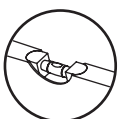
11



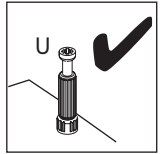
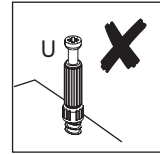
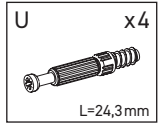
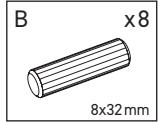
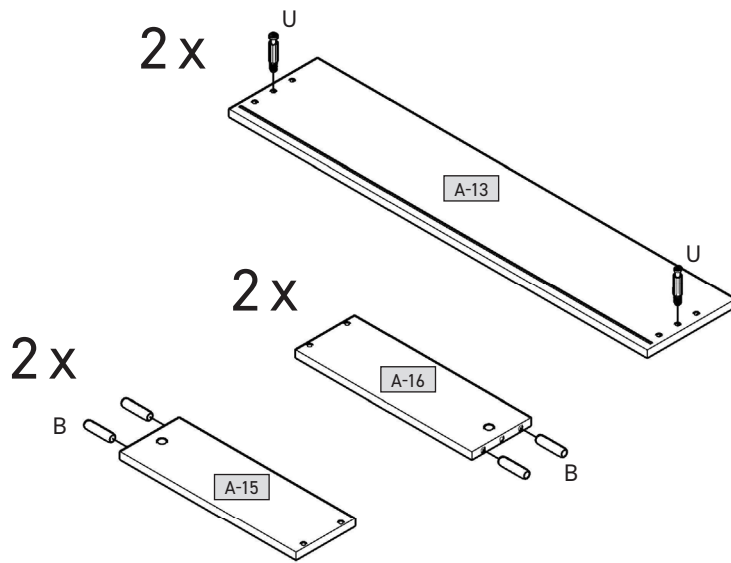
12



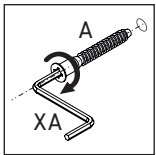
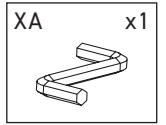
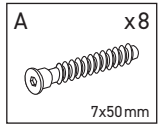
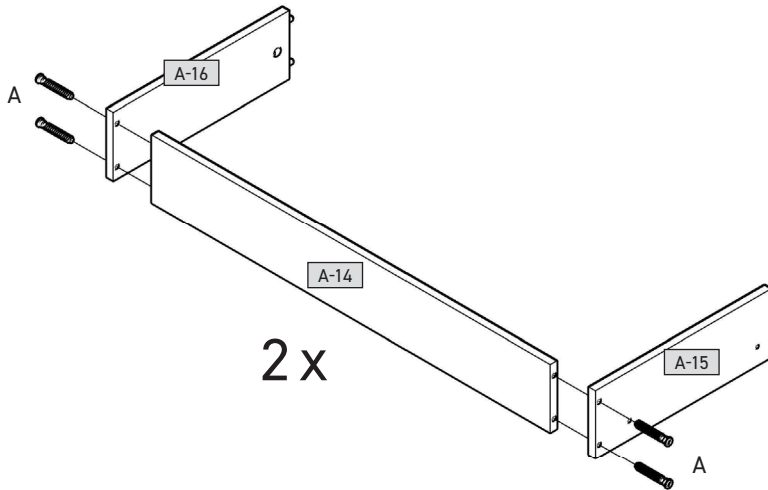
13



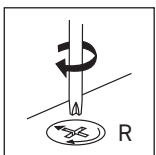
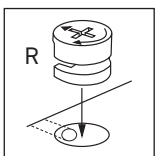
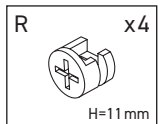
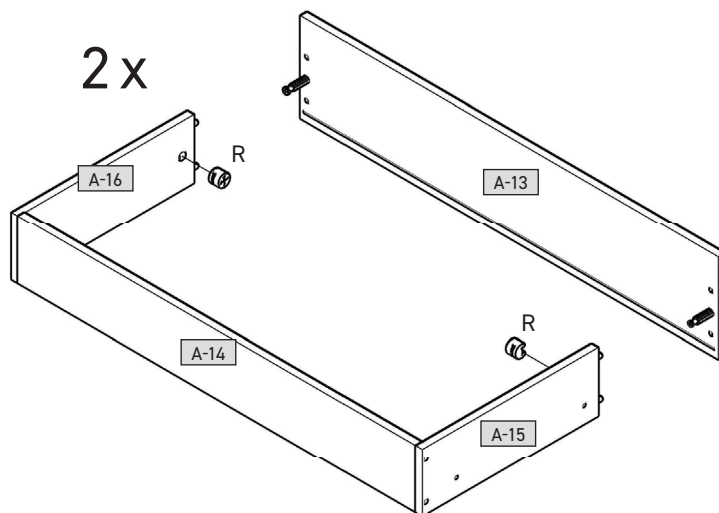
14



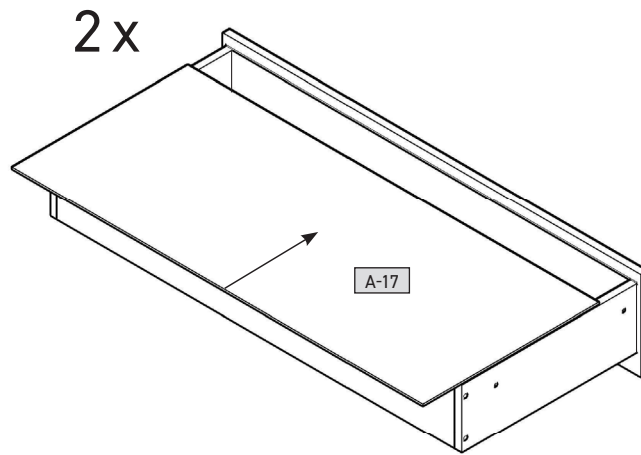
15



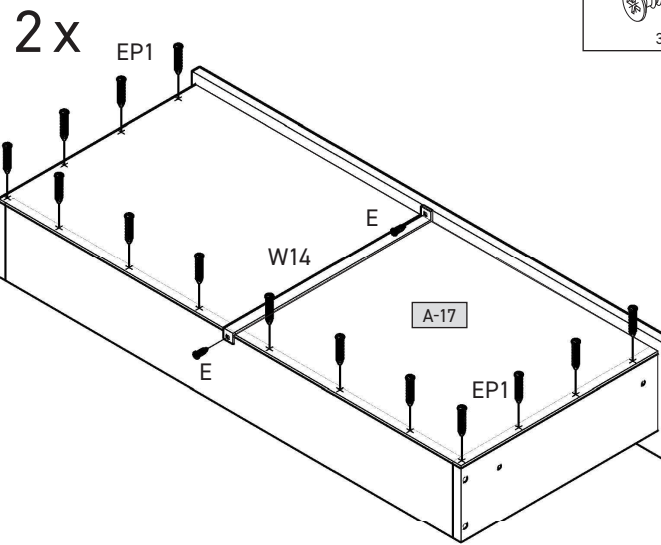
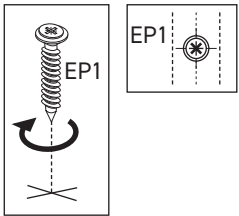
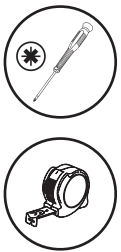
16



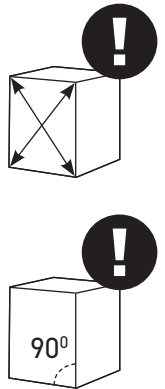
17



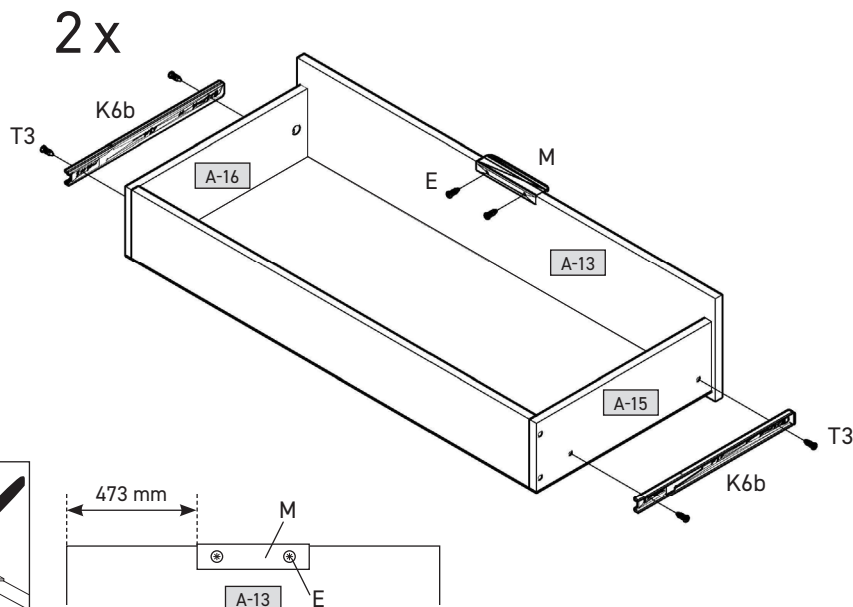
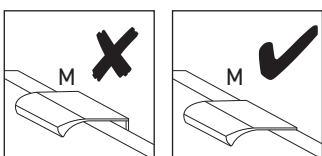
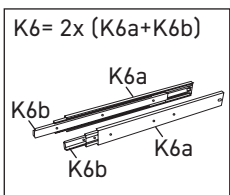
18



E	x4	EP1	x28	W14	x2
	3,5x13mm		4x16mm		L=450mm

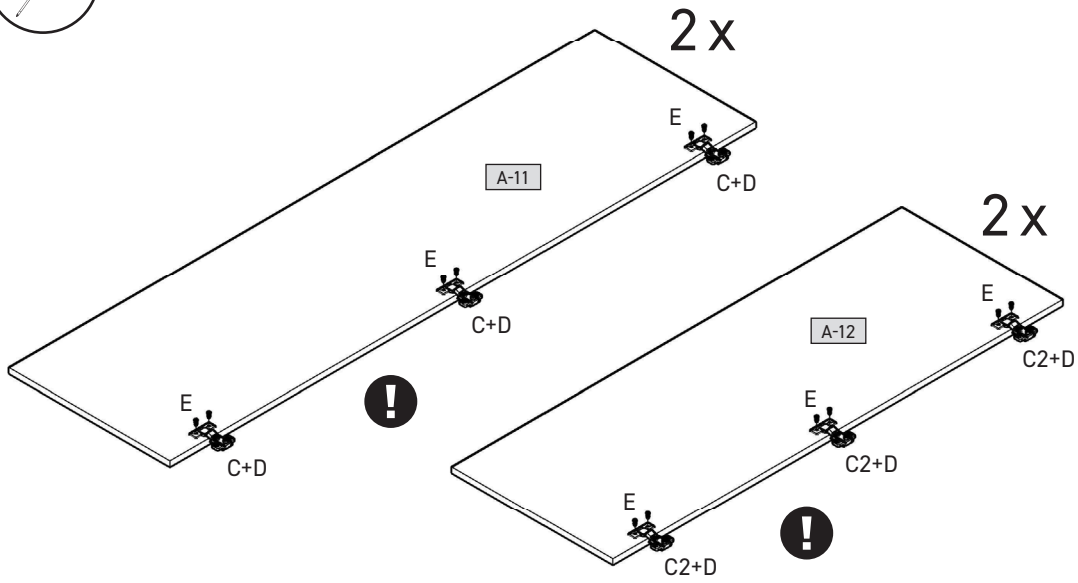


19

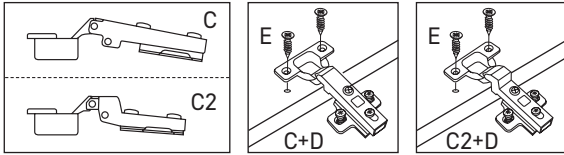


E	x4	K6	x2	M	x2	T3	x8
	3,5x13mm		L=450mm		L=150mm		5x9mm

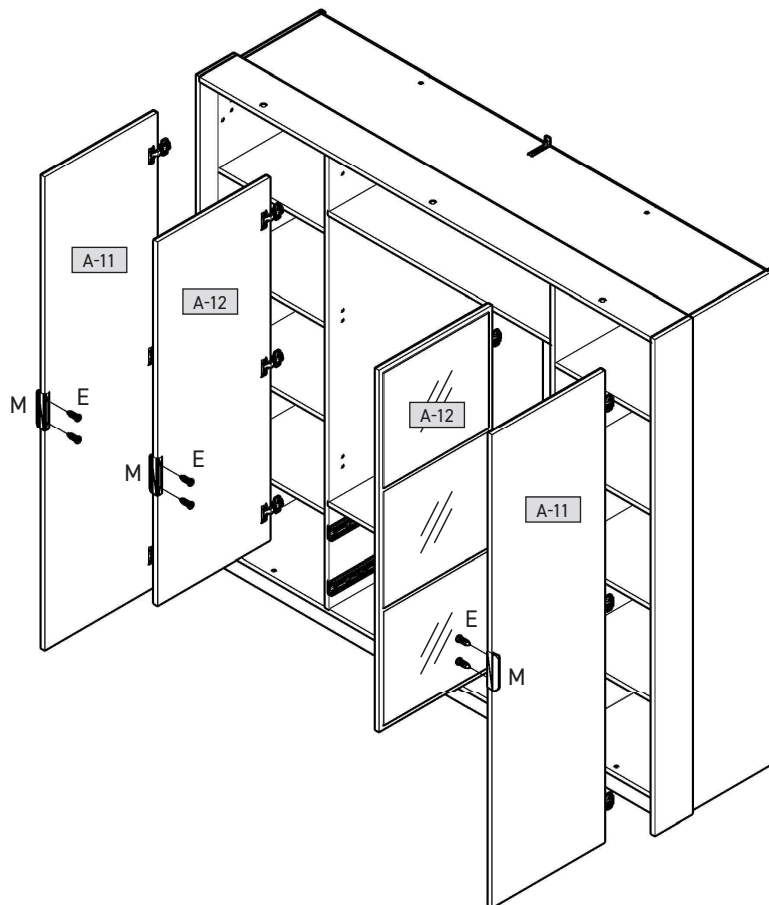
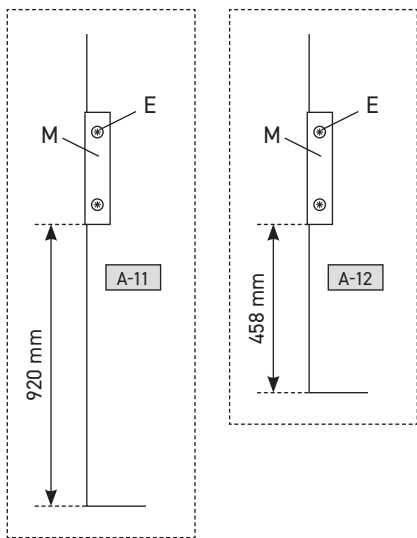
20



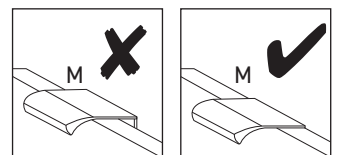
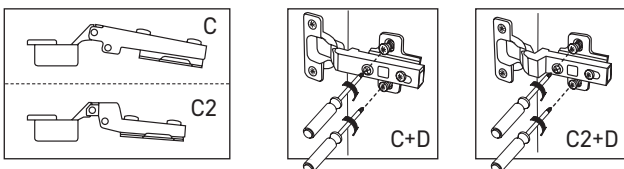
- C+D x6
P/D
- C2+D x6
B/D
- E x24
3,5x13mm



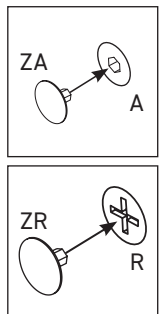
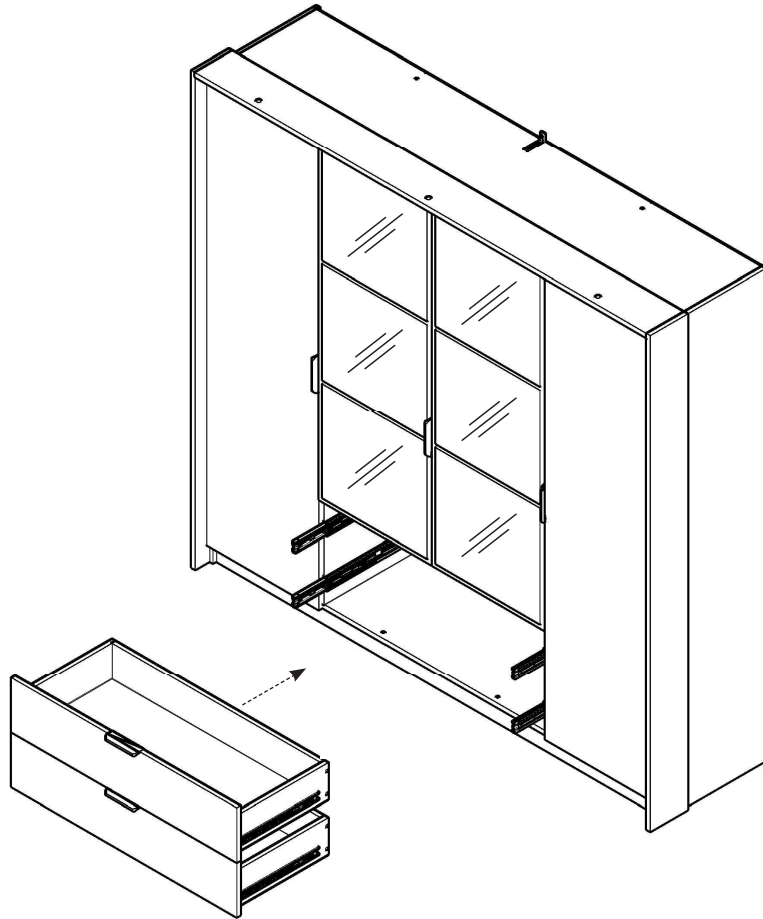
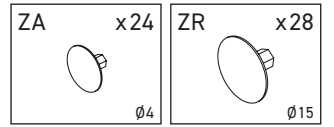
21



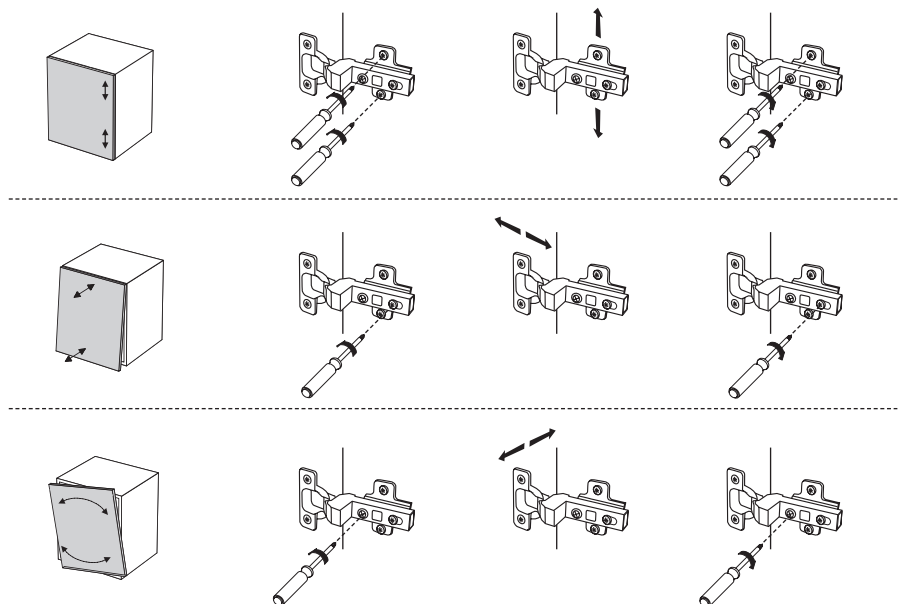
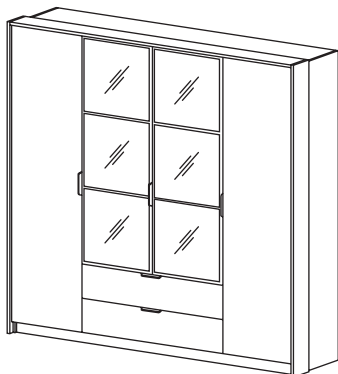
- E x6
3,5x13mm
- M x3
L=150mm

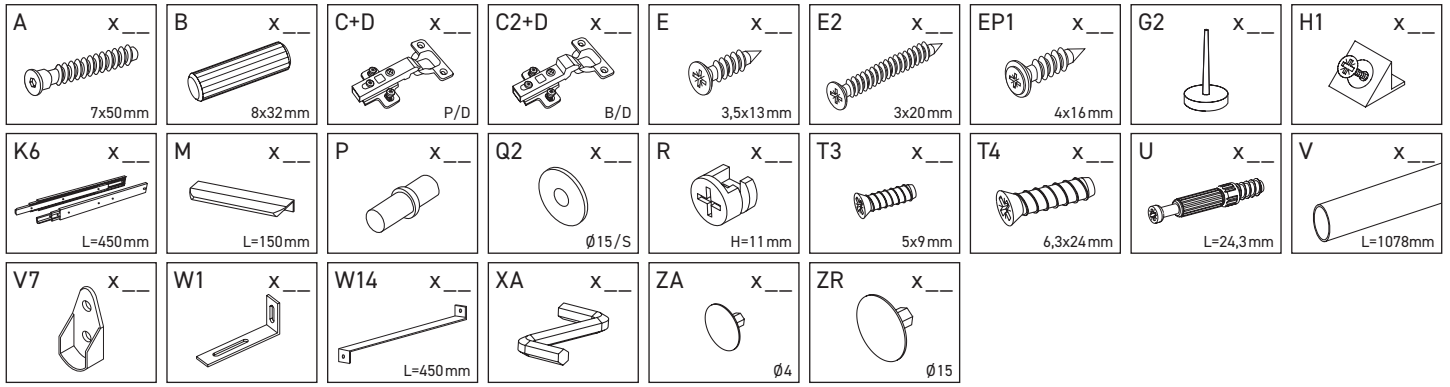


22



23





A-1	2168	505	16	x 1	2/5
A-2	2168	505	16	x 1	2/5
A-3	2168	80	16	x 2	2/5
A-4	2080	520	16	x 1	1/5
A-5	2080	520	16	x 1	1/5
A-6	1968	505	16	x 1	1/5
A-7	1968	505	16	x 1	1/5
A-8	1084	505	16	x 2	3/5
A-9	526	500	16	x 2	3/5
A-10	526	500	16	x 6	3/5
A-11	1992	546	16	x 2	5/5
A-12	546	1530	16	x 2	4/5
A-13	1096	227	16	x 2	4/5
A-14	1028	150	16	x 2	2/5
A-15	450	150	16	x 2	2/5
A-16	450	150	16	x 2	4/5
A-17	1058	456	3	x 2	3/5
A-18	2200	180	16	x 1	2/5
A-19	2096	180	16	x 2	2/5
A-20	541	1997	3	x 2	5/5
A-21	1100	1997	3	x 1	5/5

