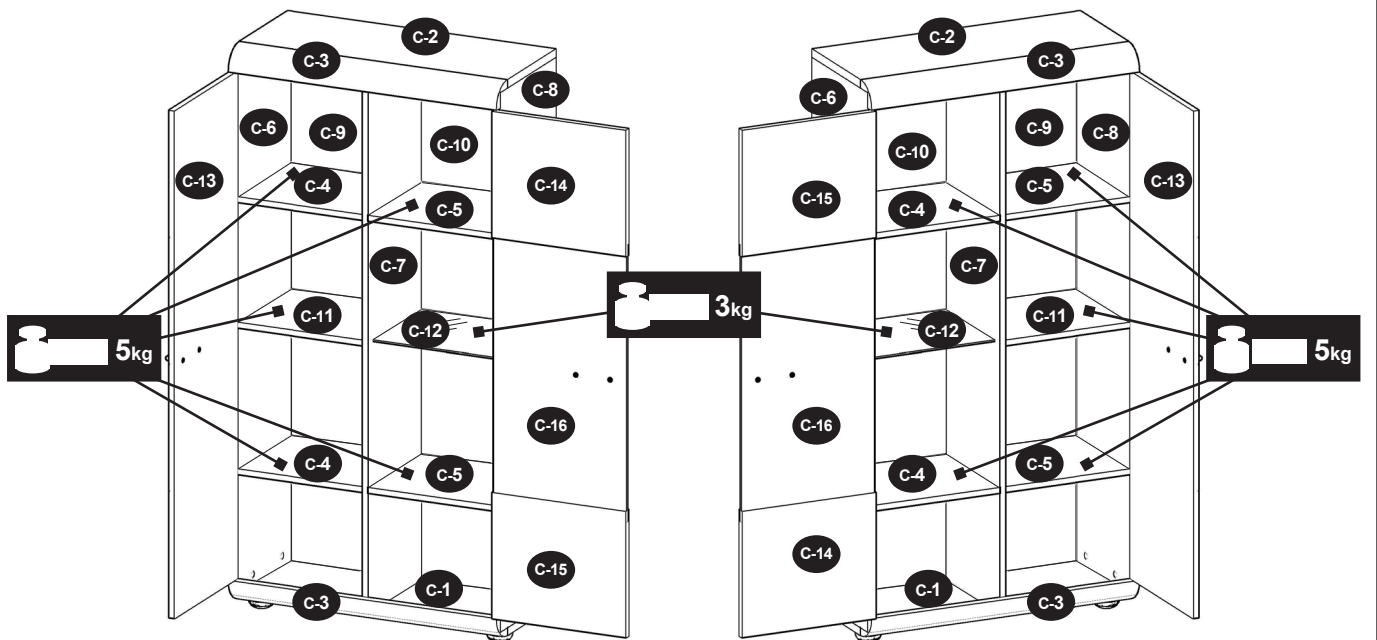


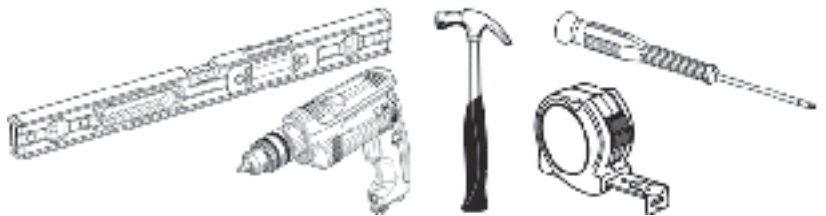
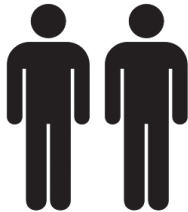
CL

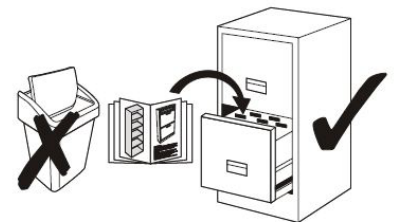
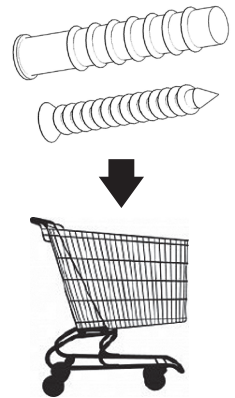
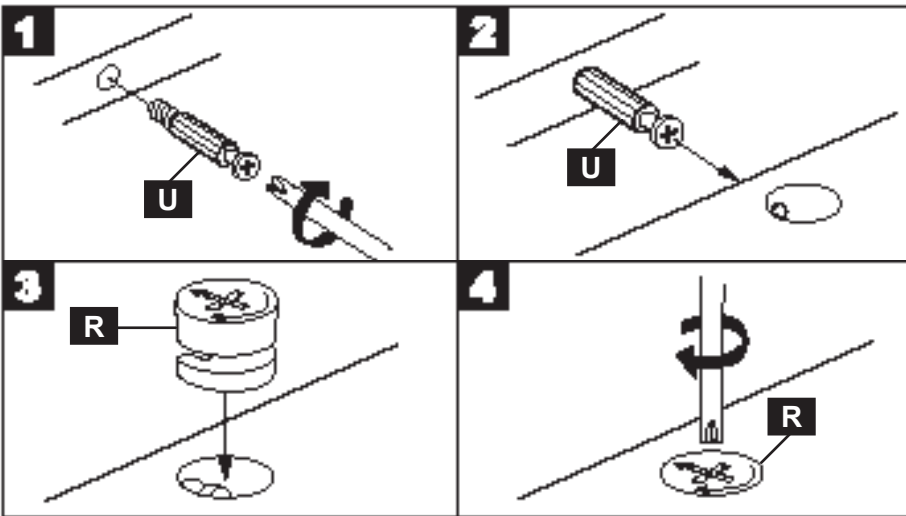
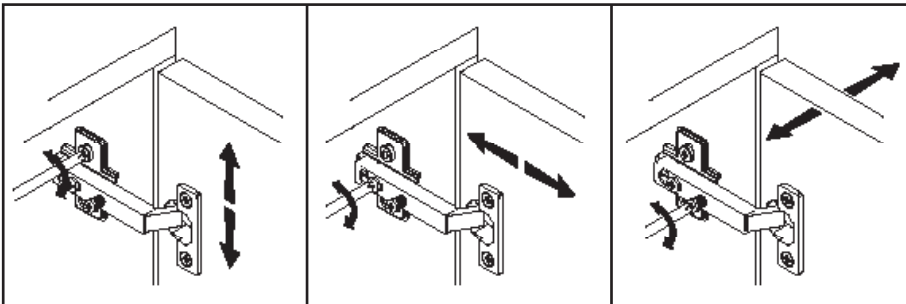
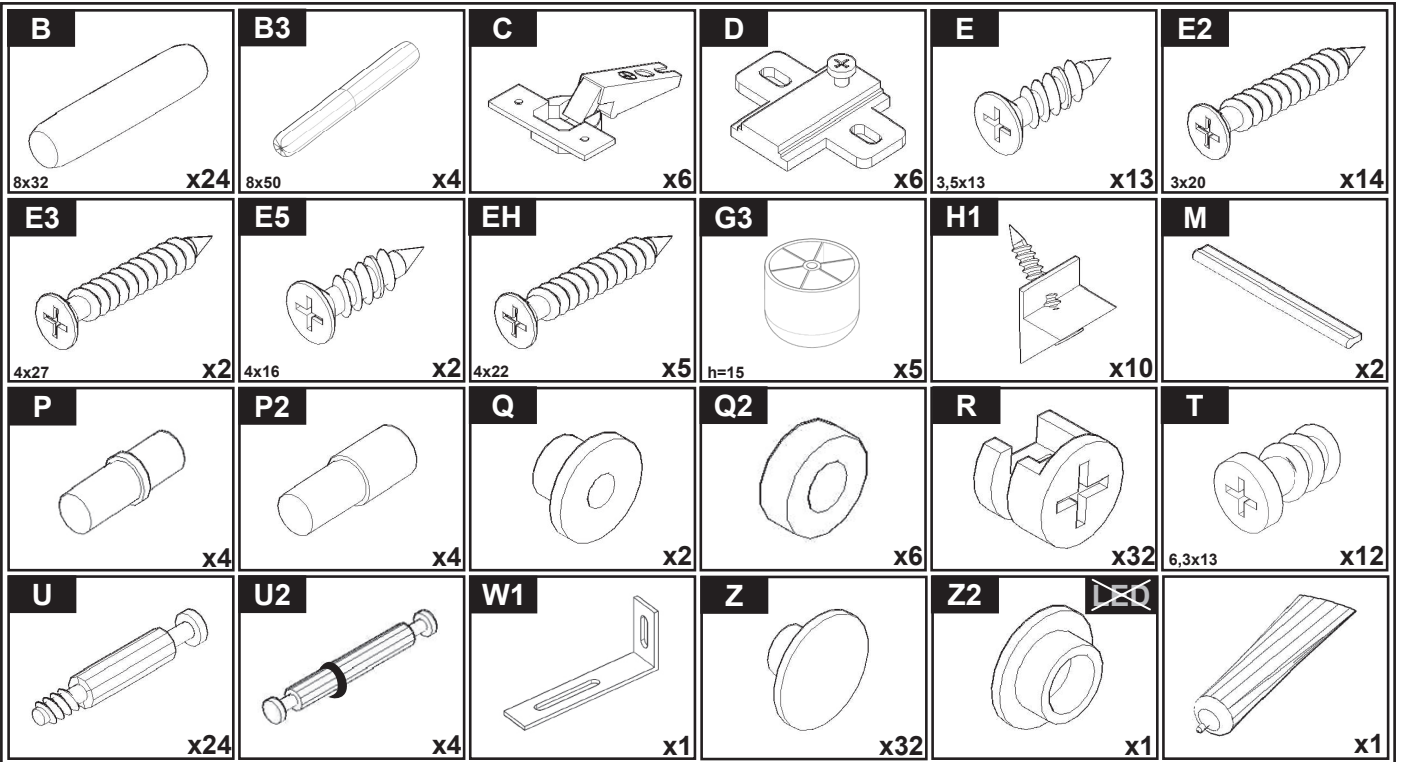
CR

C

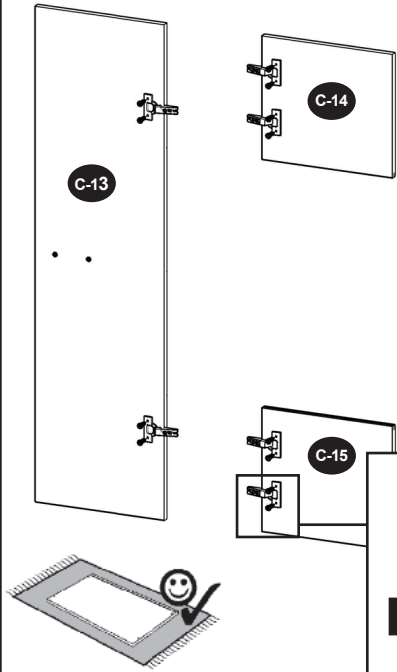


70

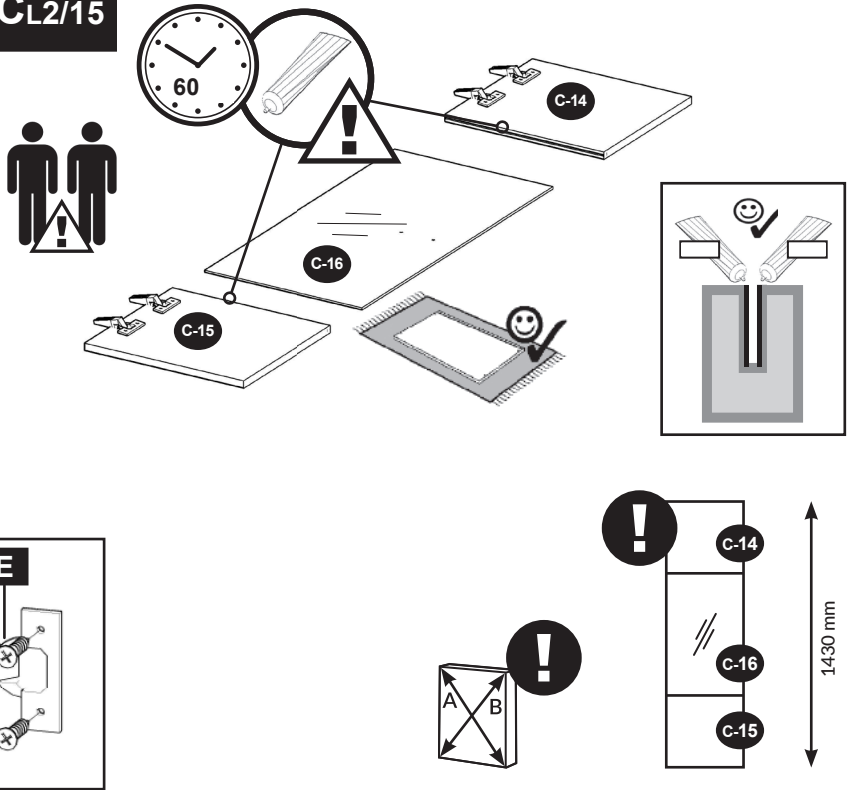




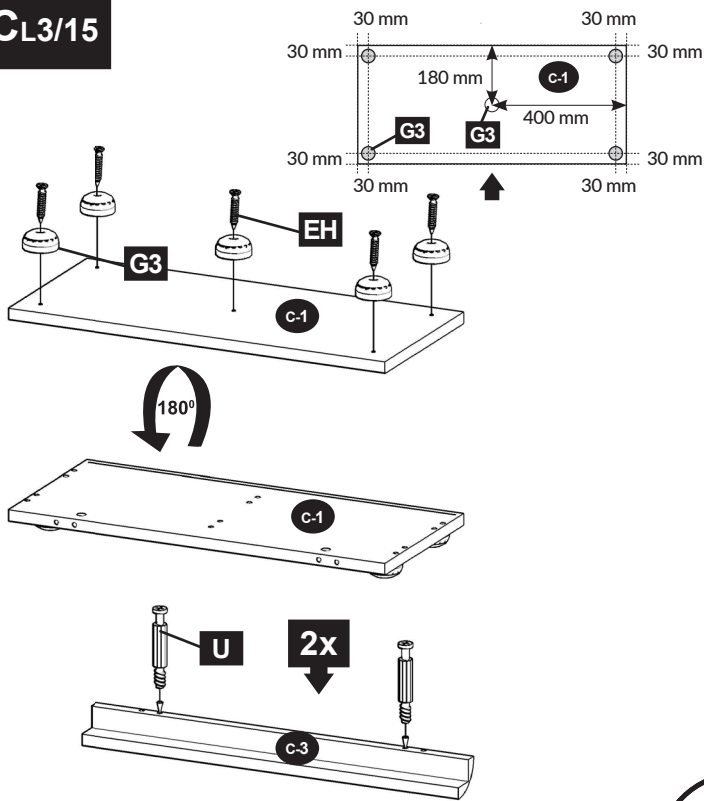
CL1/15



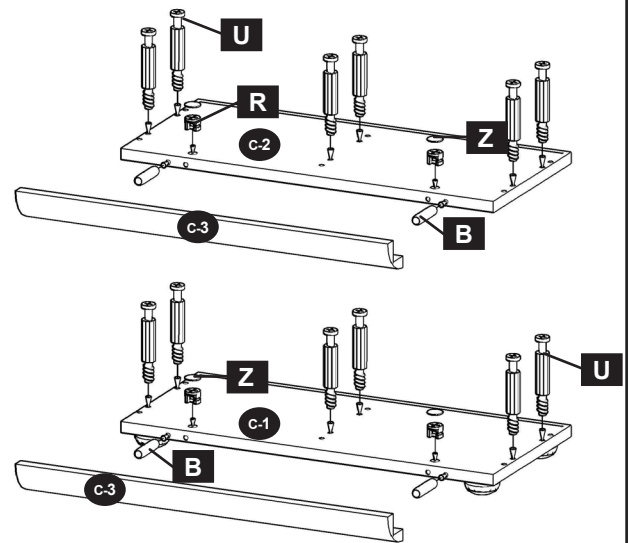
CL2/15



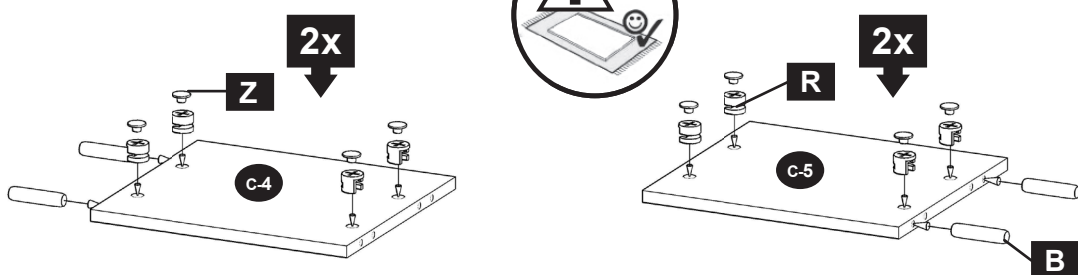
CL3/15



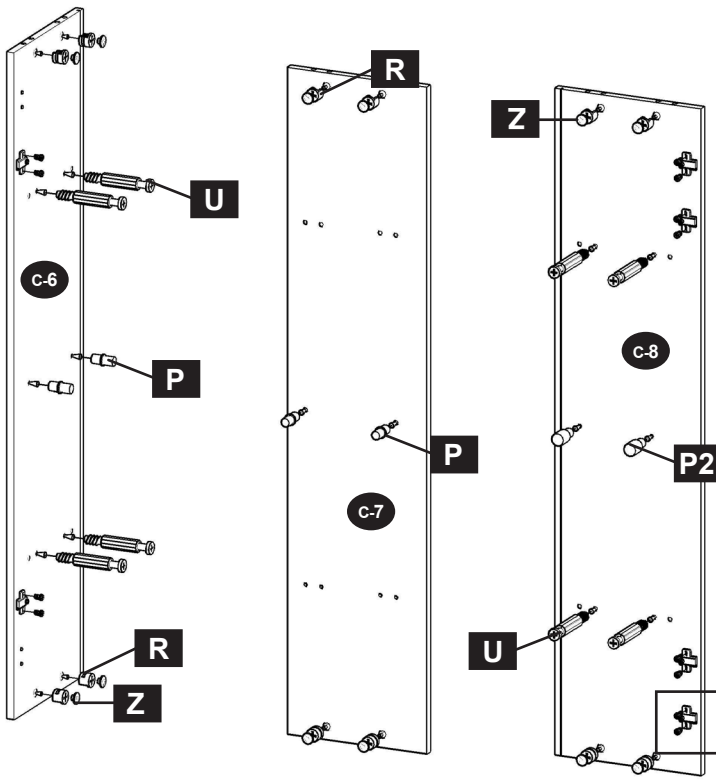
CL4/15



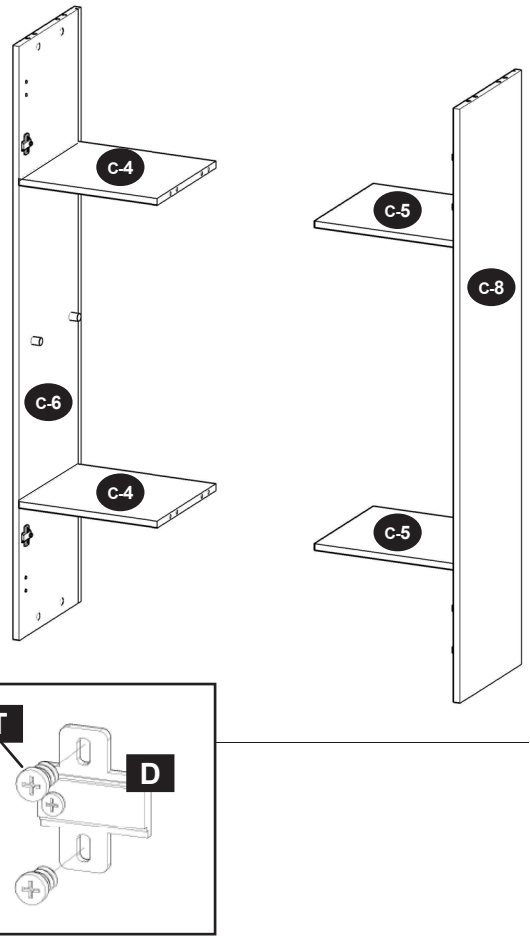
CL5/15



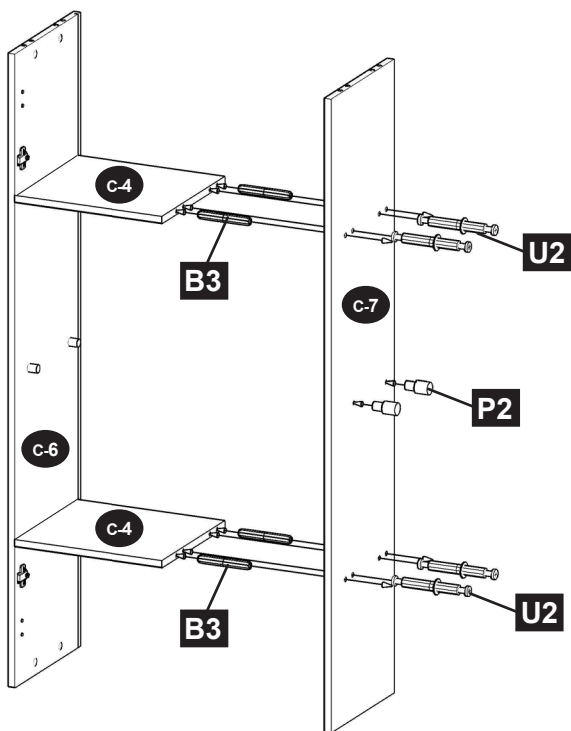
CL6/15



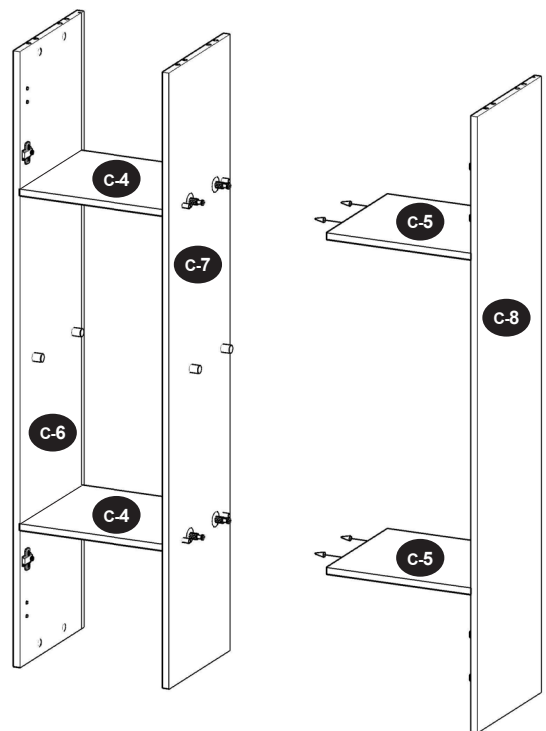
CL7/15



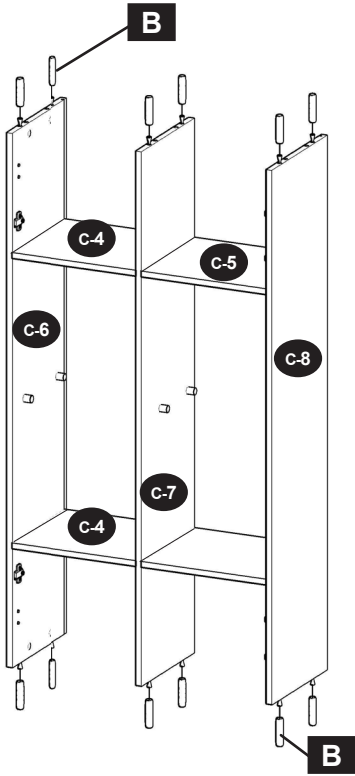
CL8/15



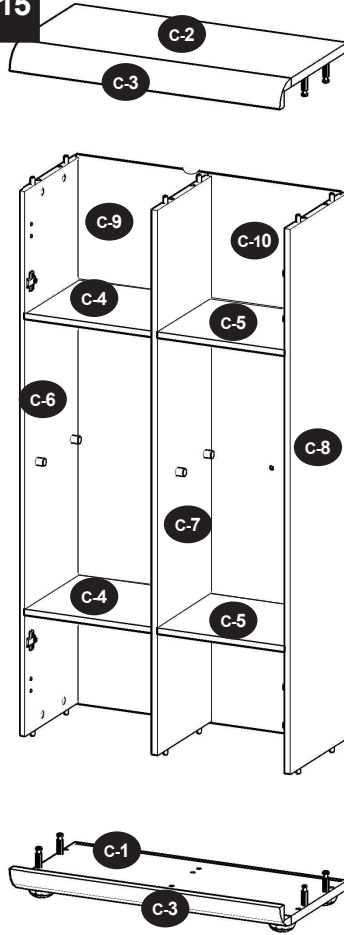
CL9/15



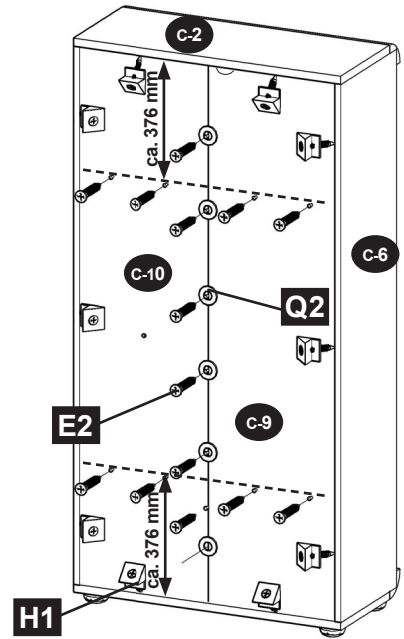
CL10/15



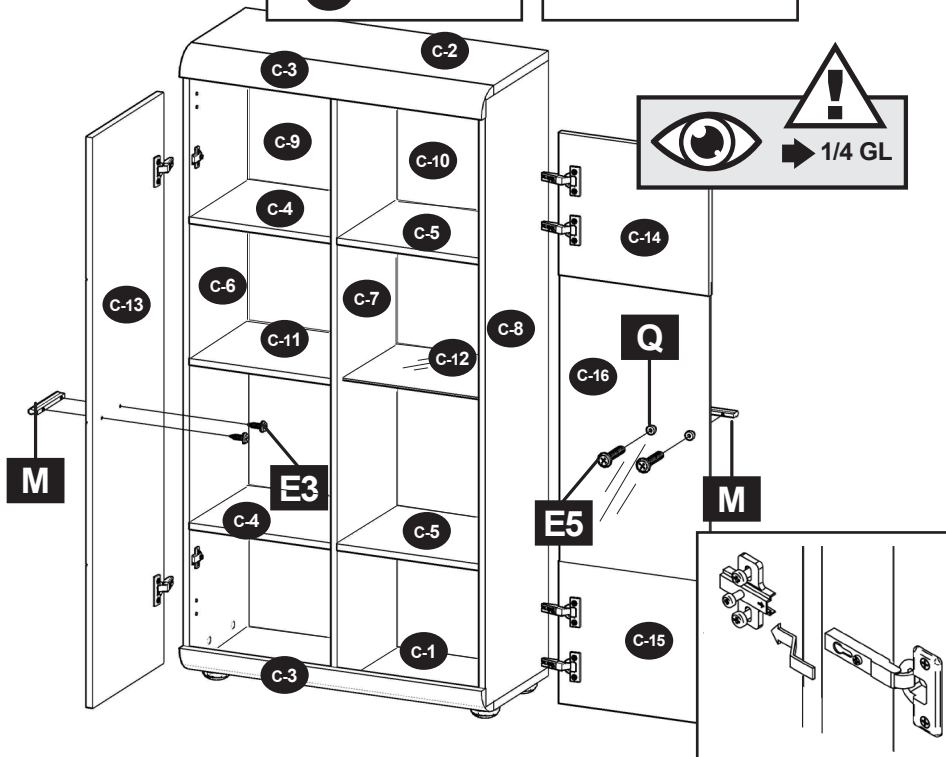
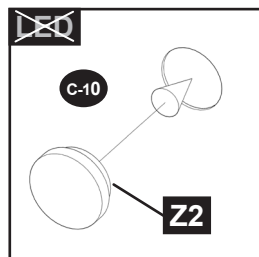
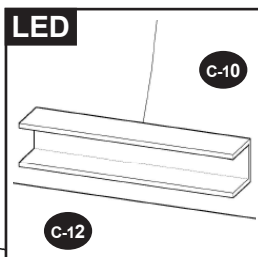
CL11/15



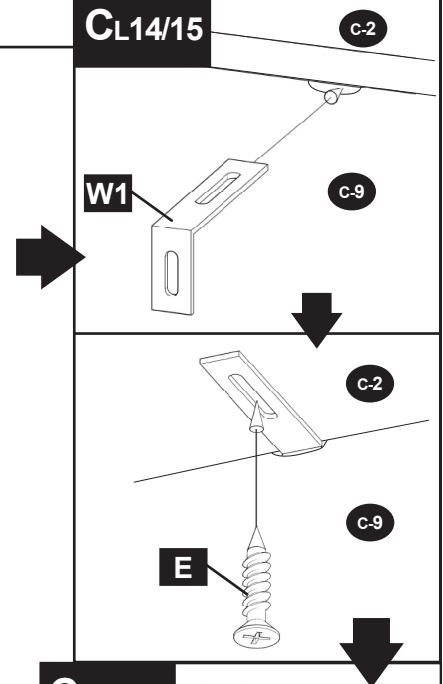
CL12/15



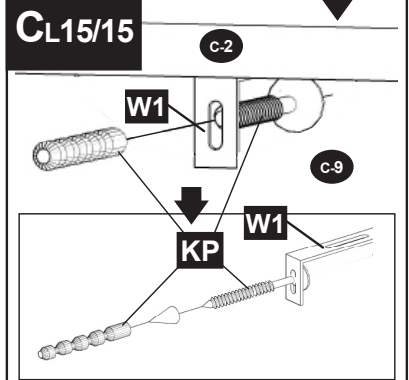
CL13/15



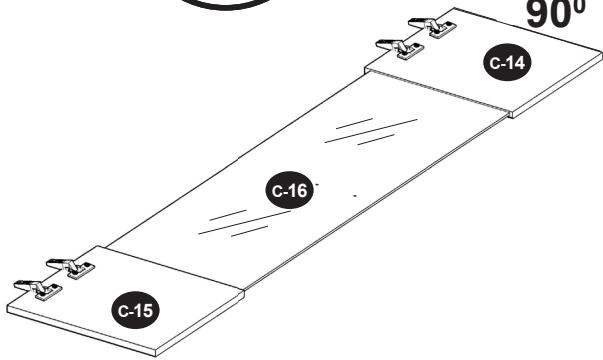
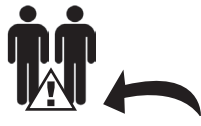
CL14/15



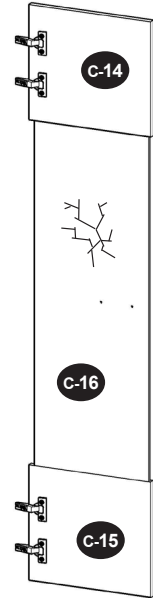
CL15/15



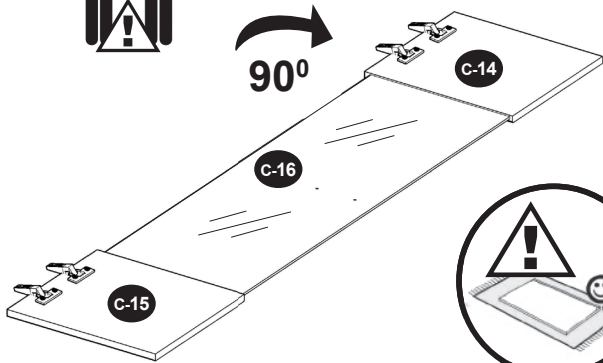
1/4 GL



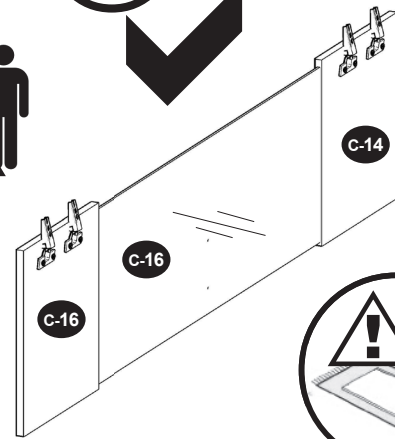
2/4 GL



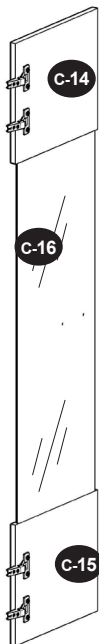
1/4 GL



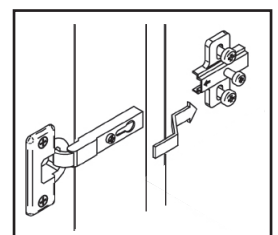
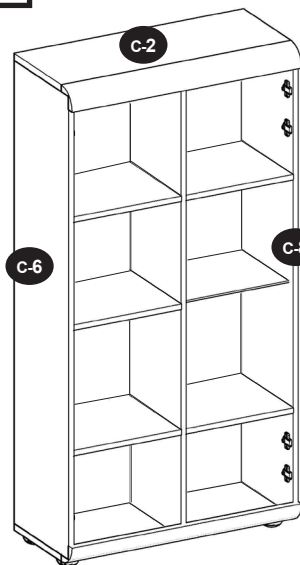
2/4 GL



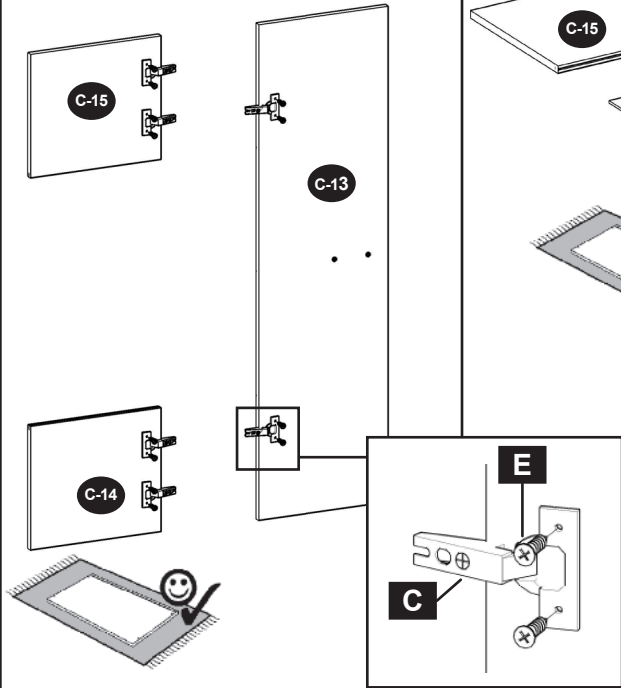
3/4 GL



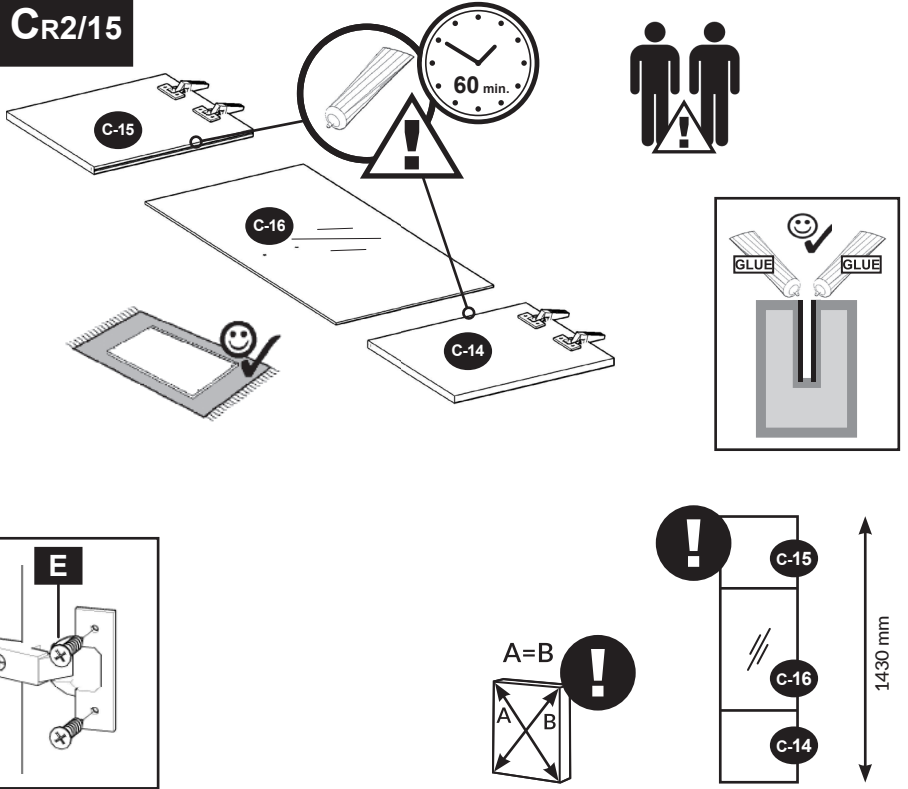
4/4 GL



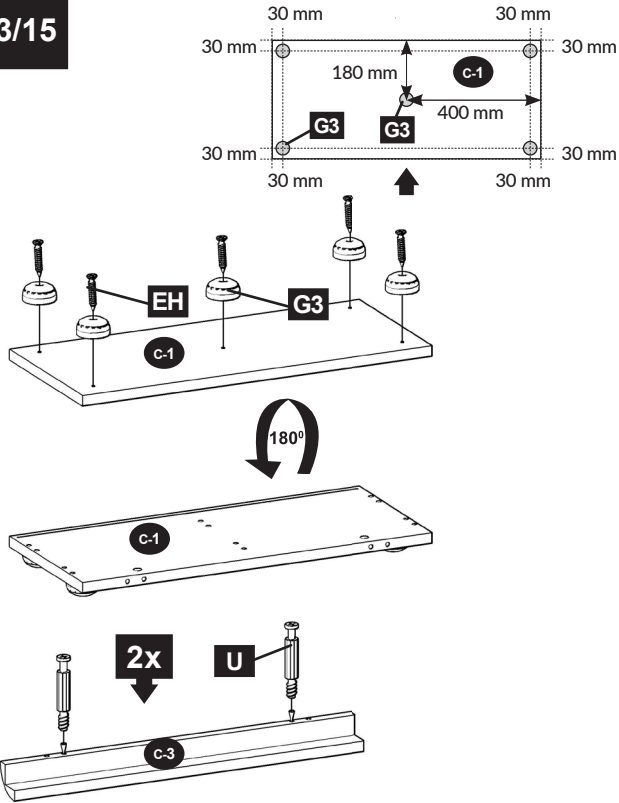
CR1/15



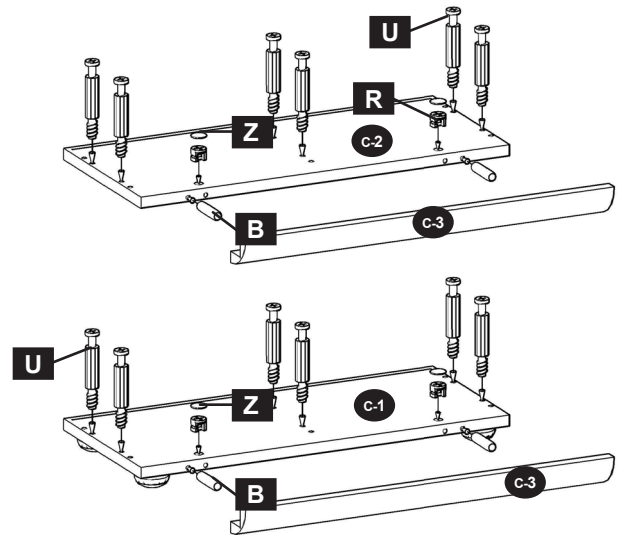
CR2/15



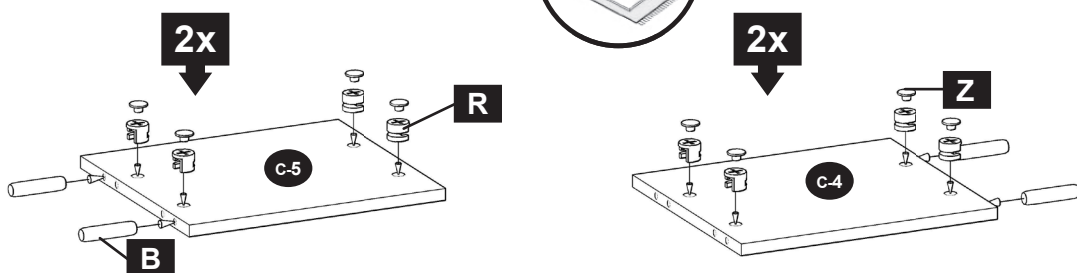
CR3/15



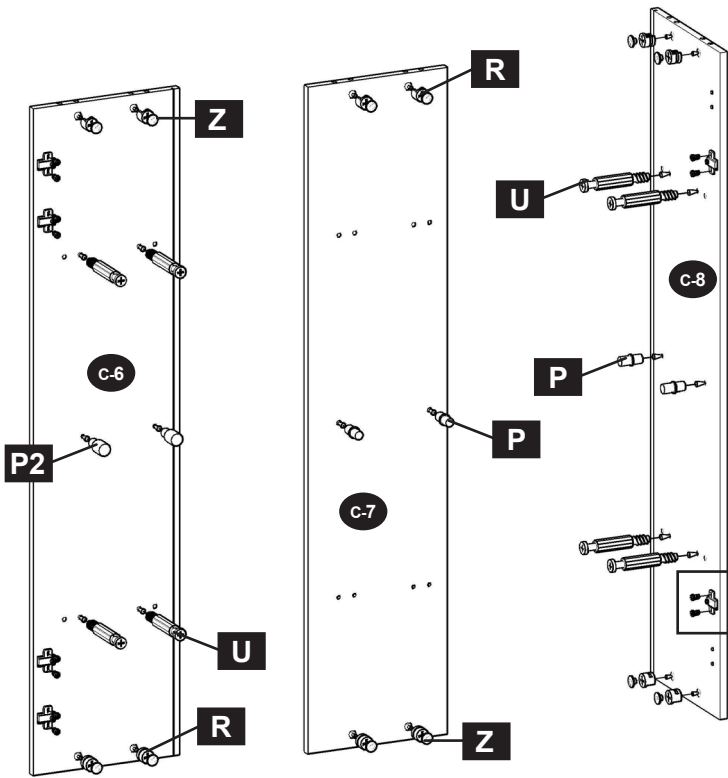
CR4/15



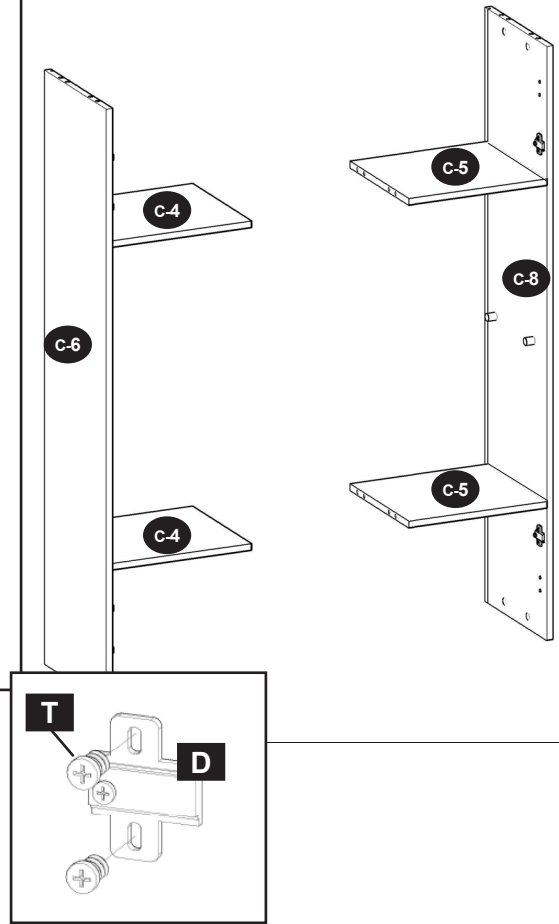
CR5/15



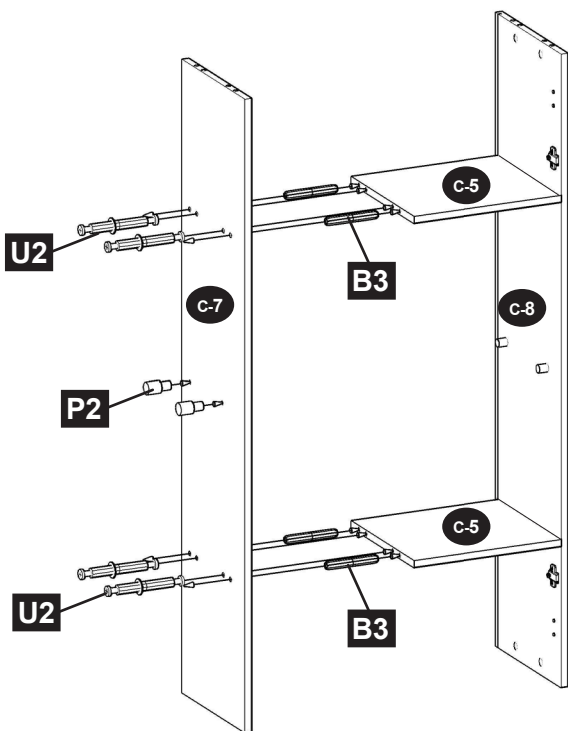
CR6/15



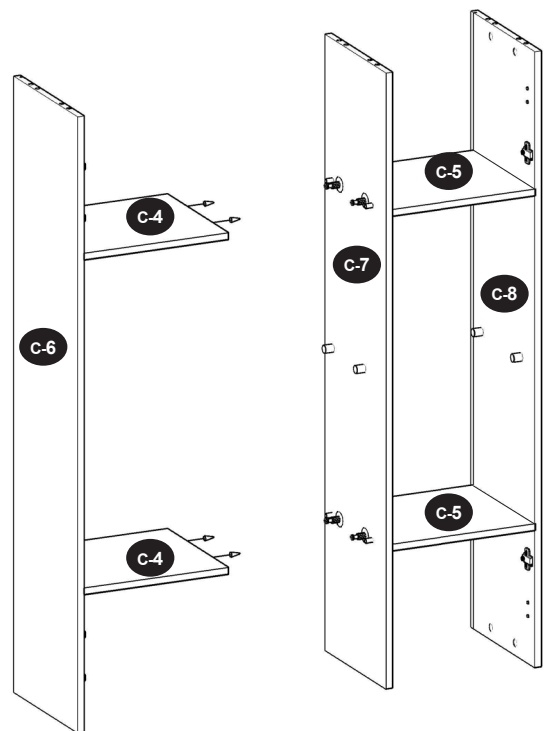
CR7/15



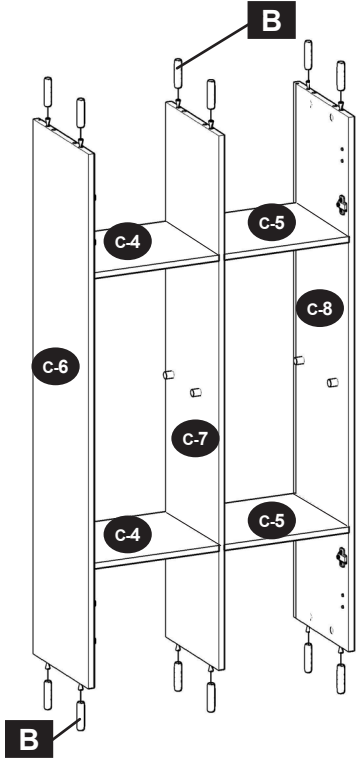
CR8/15



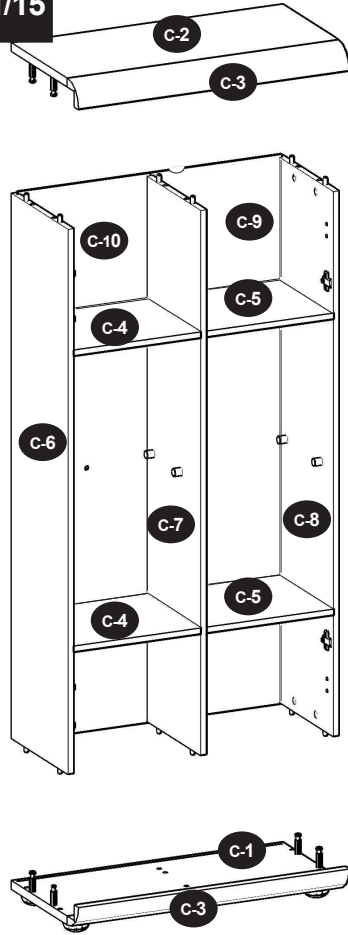
CR9/15



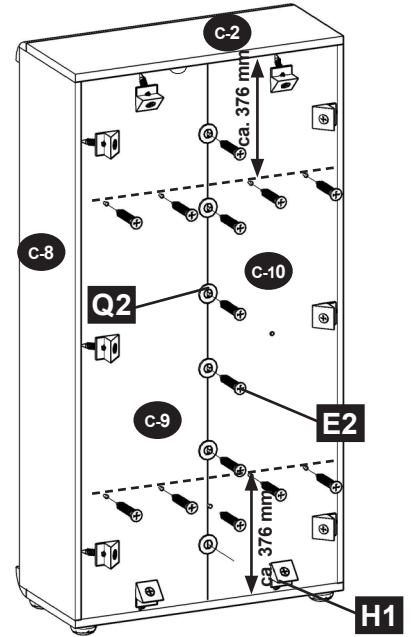
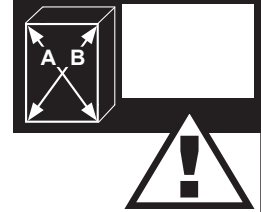
CR10/15



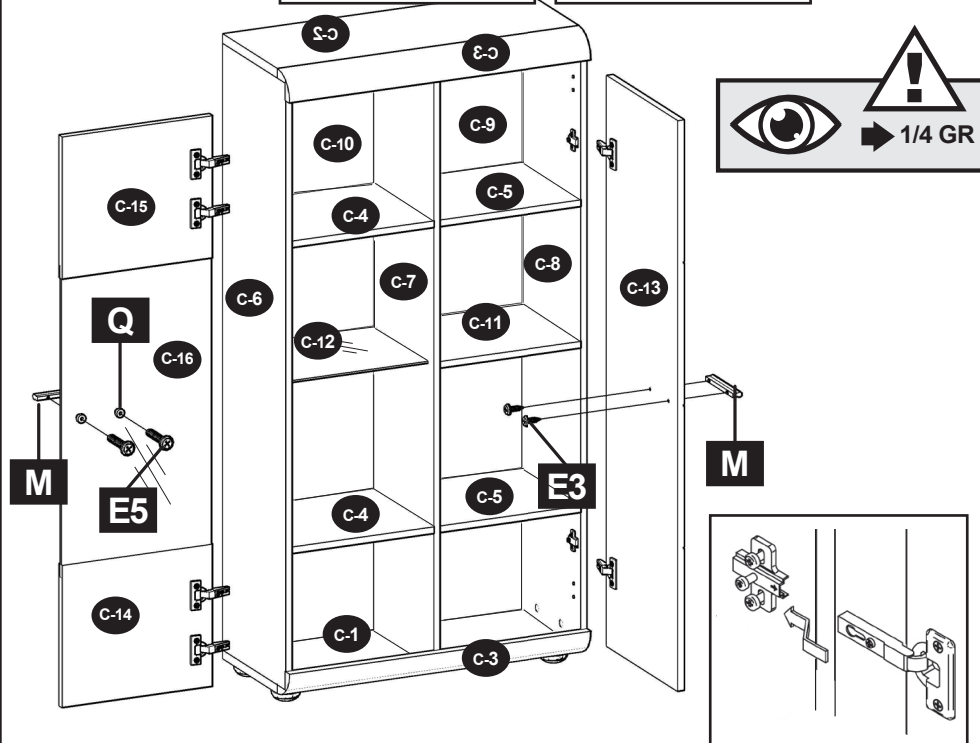
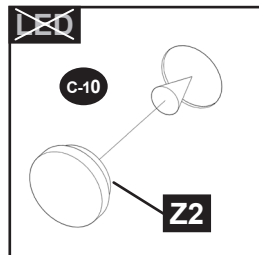
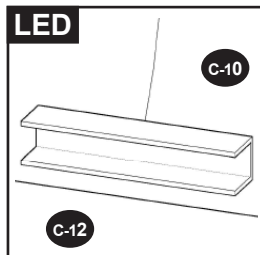
CR11/15



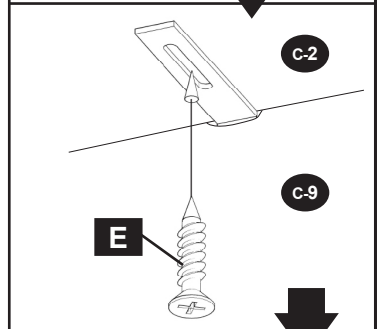
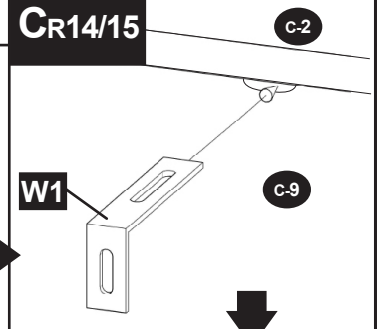
CR12/15



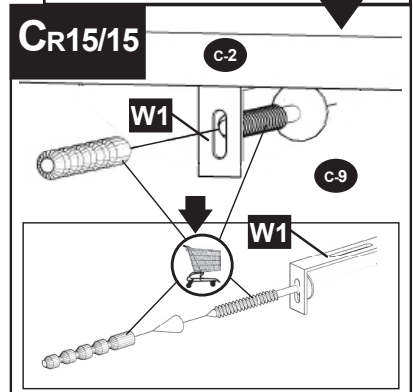
CR13/15



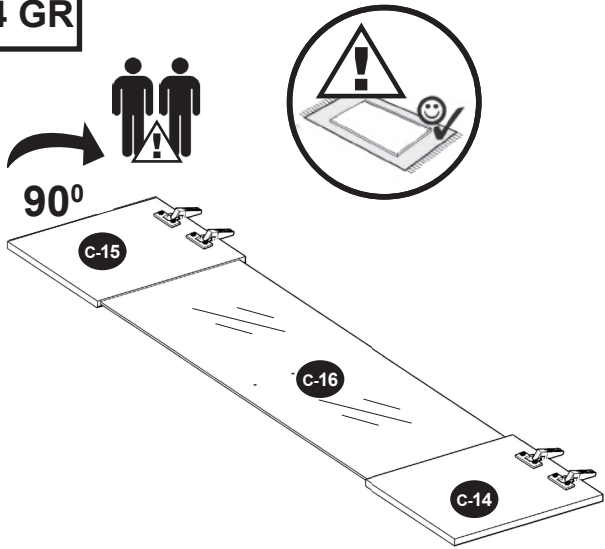
CR14/15



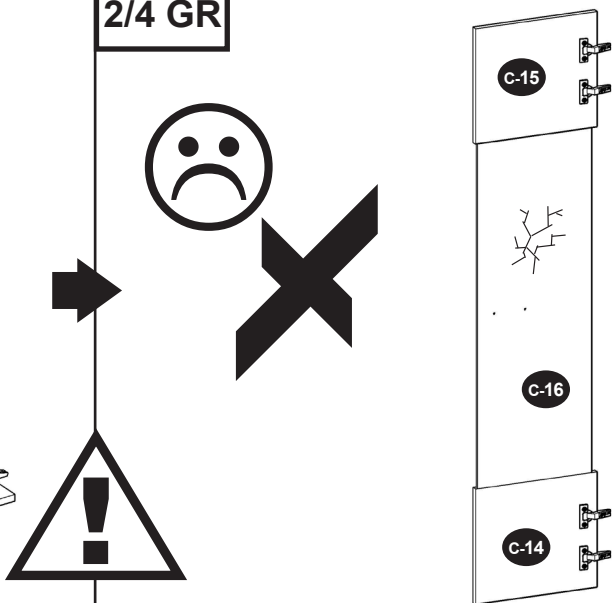
CR15/15



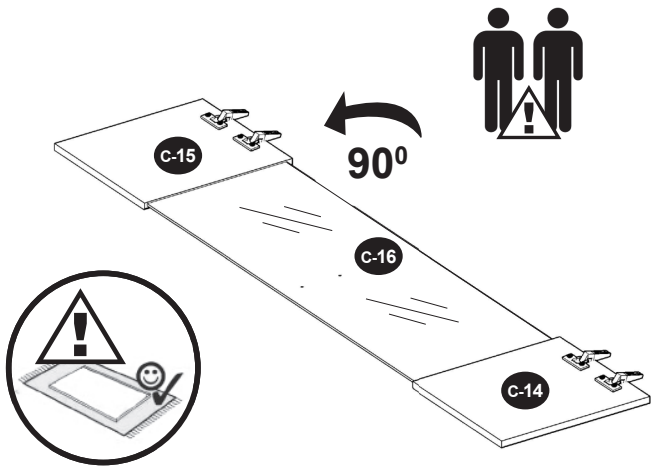
1/4 GR



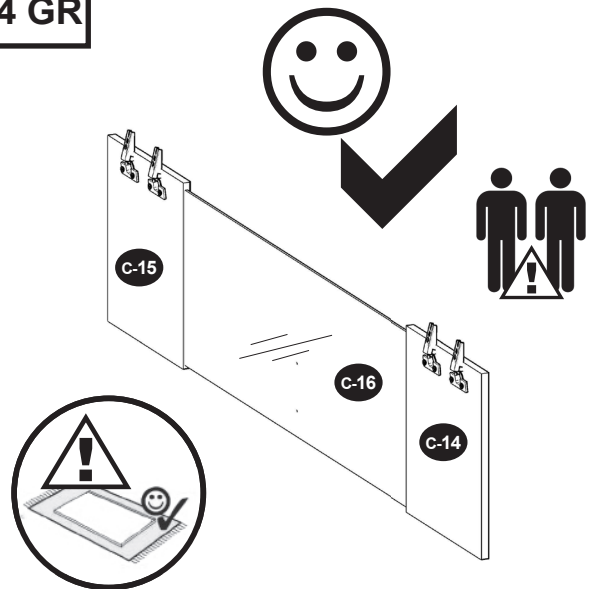
2/4 GR



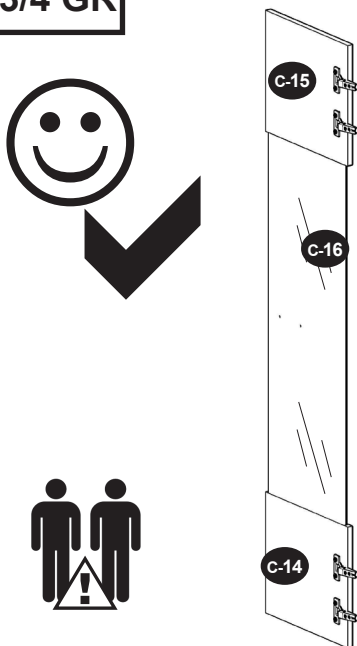
1/4 GR



2/4 GR



3/4 GR



4/4 GR

