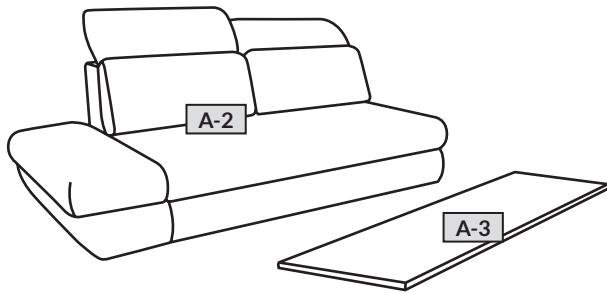
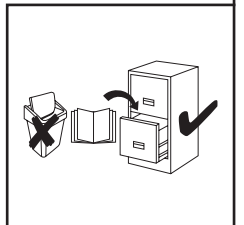
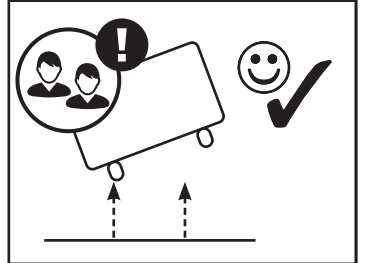
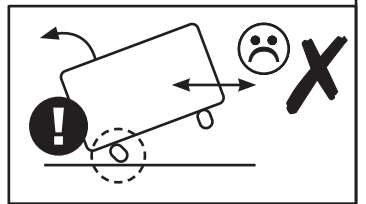
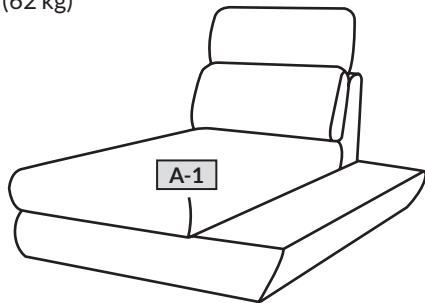
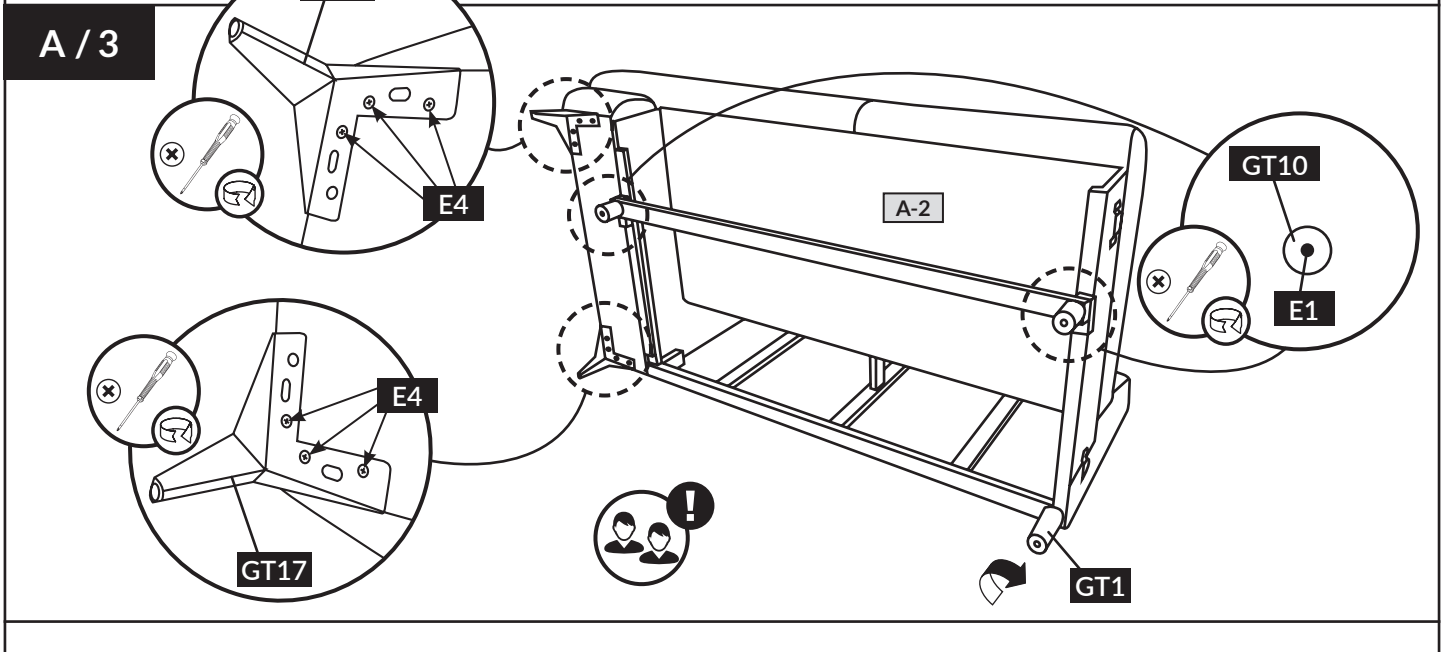
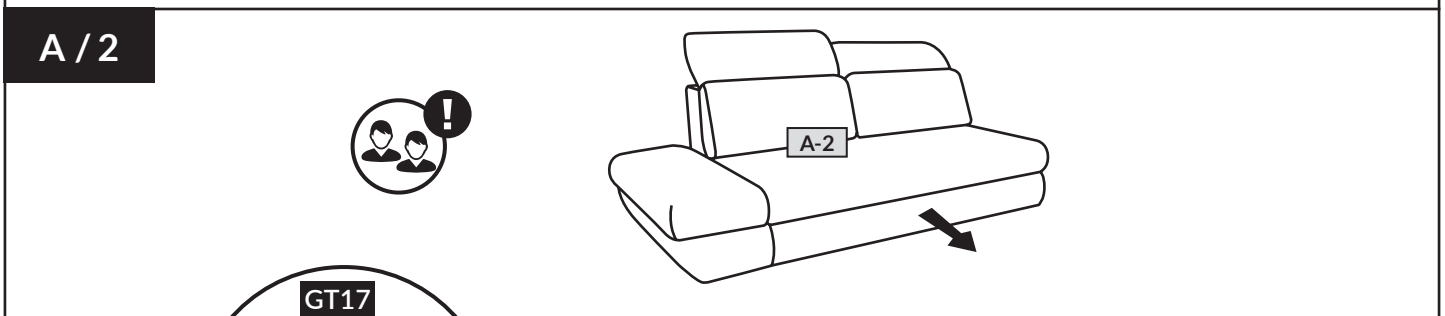
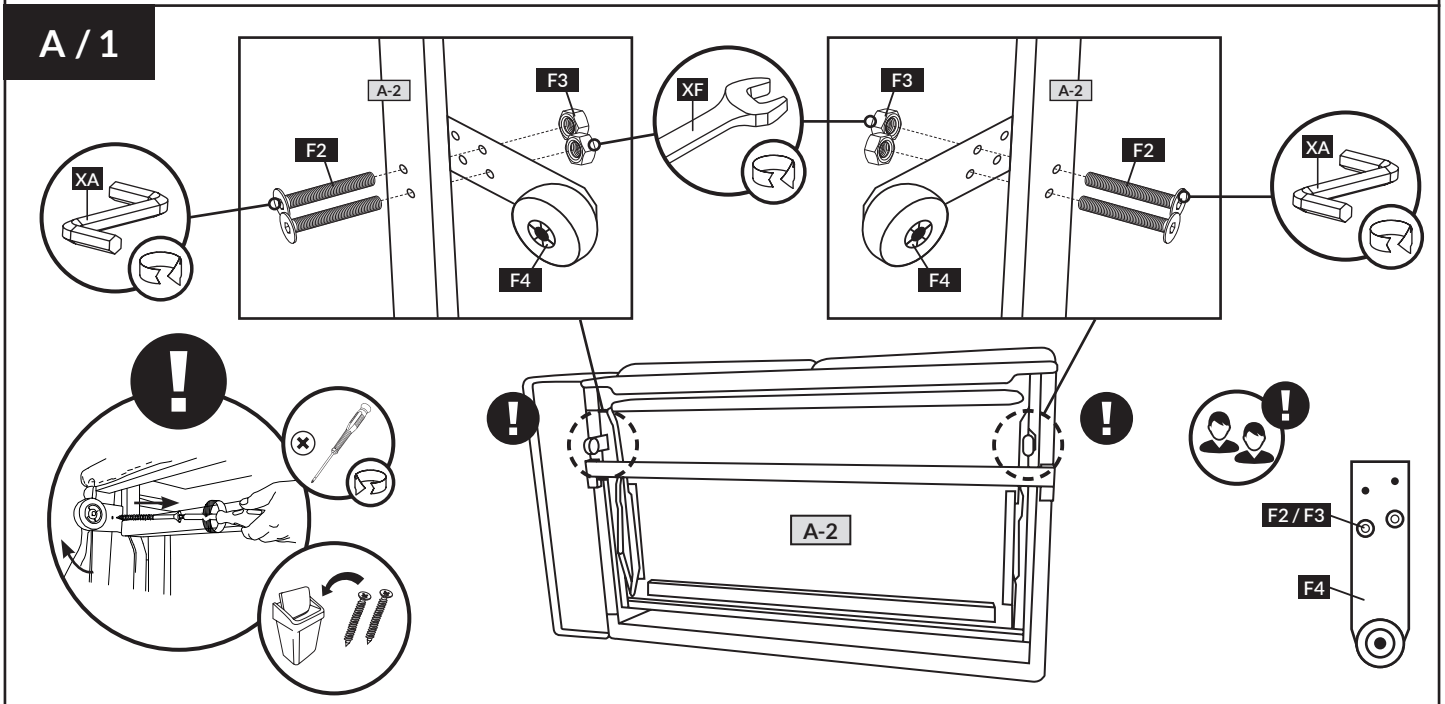
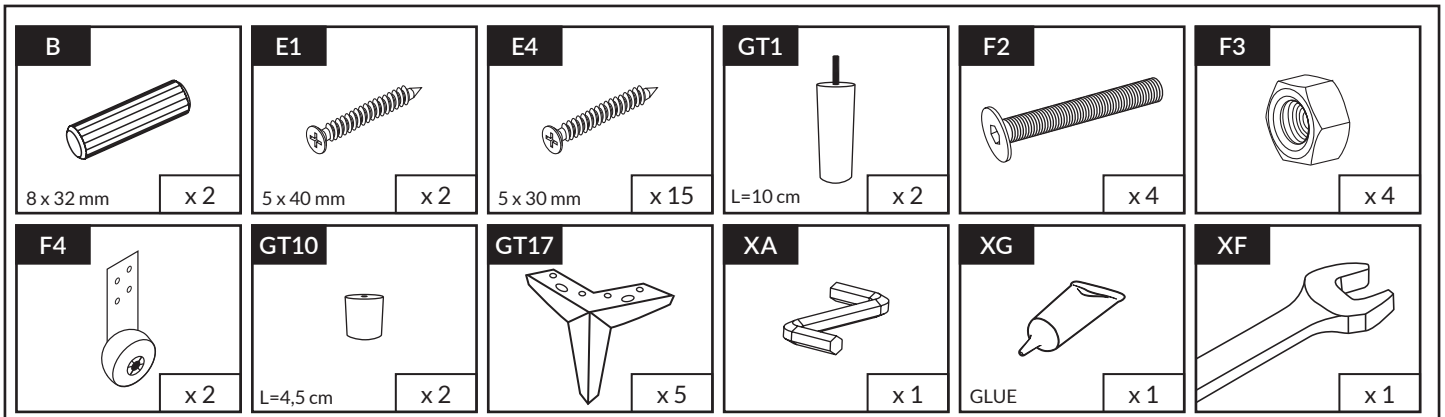


A 1/2 (71 kg)

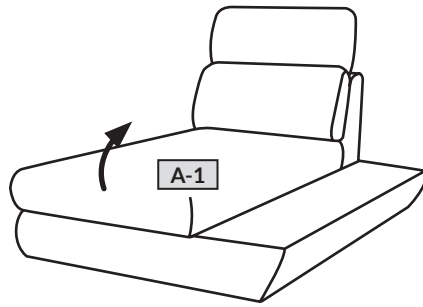


A 2/2 (62 kg)

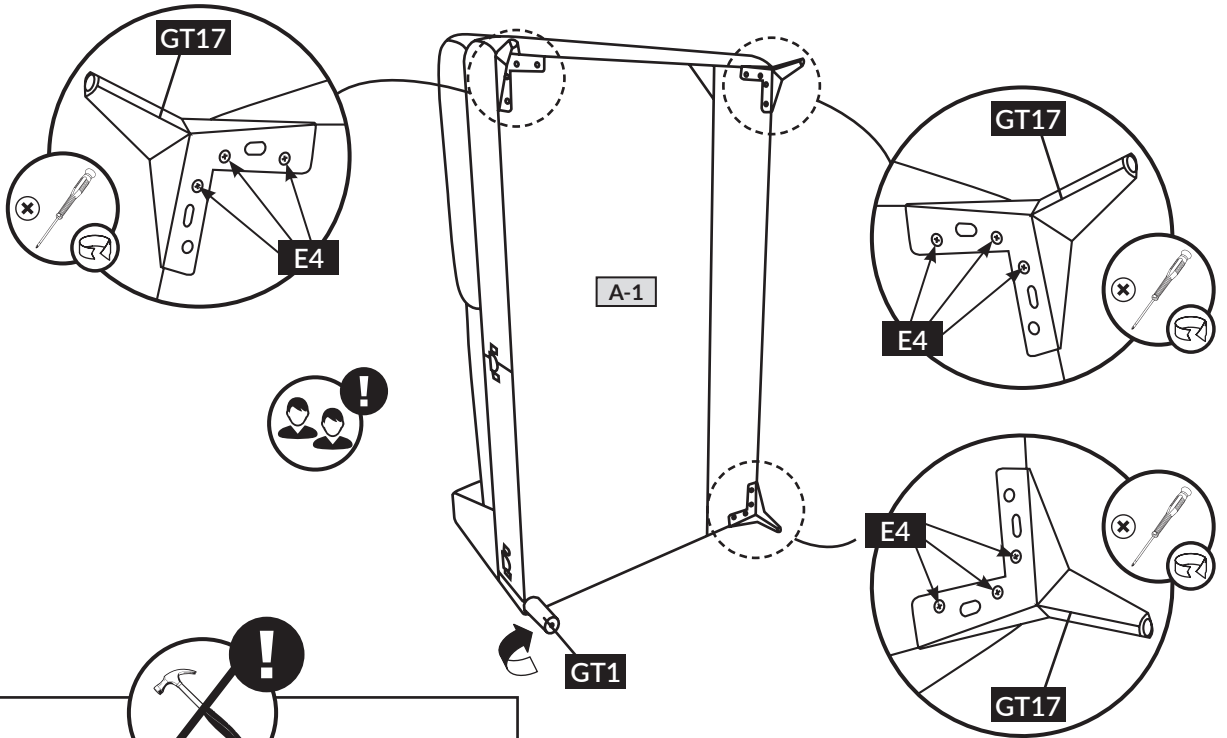




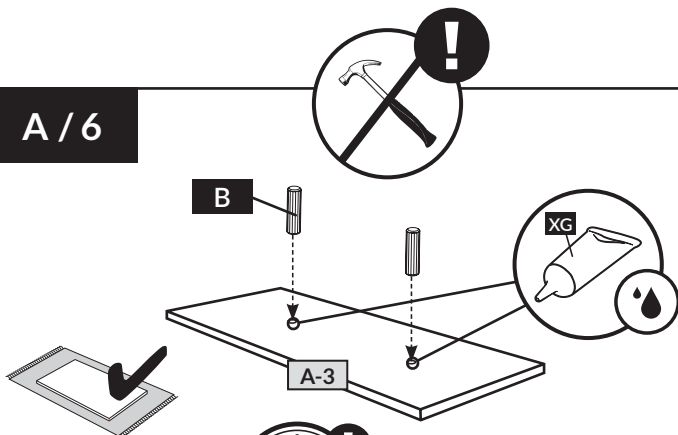
A/4



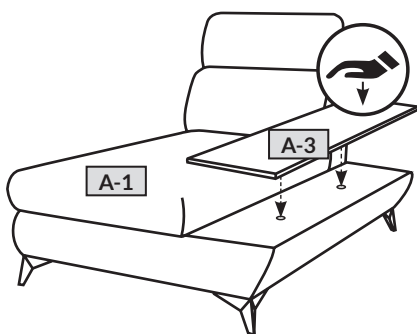
A/5



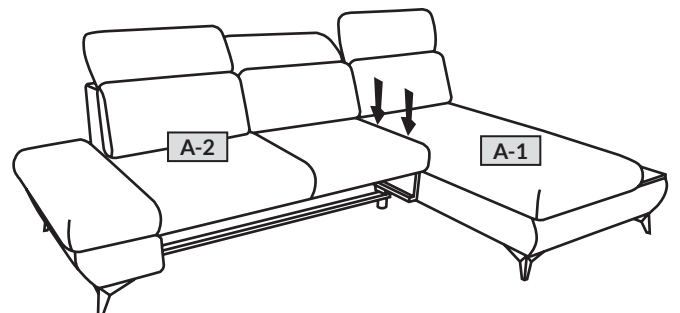
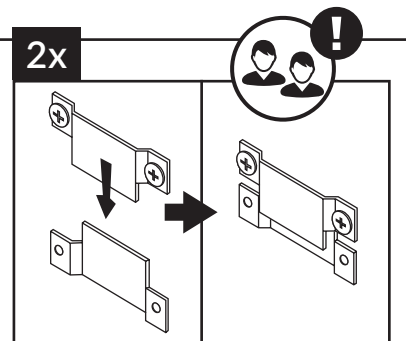
A/6



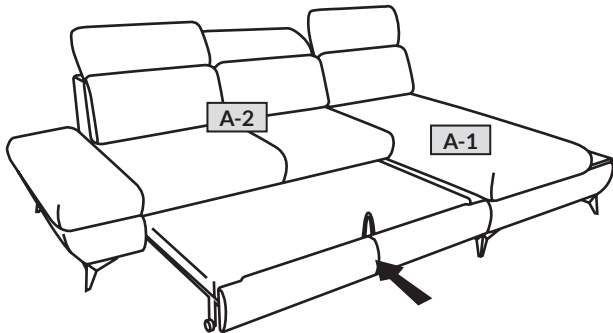
A/7



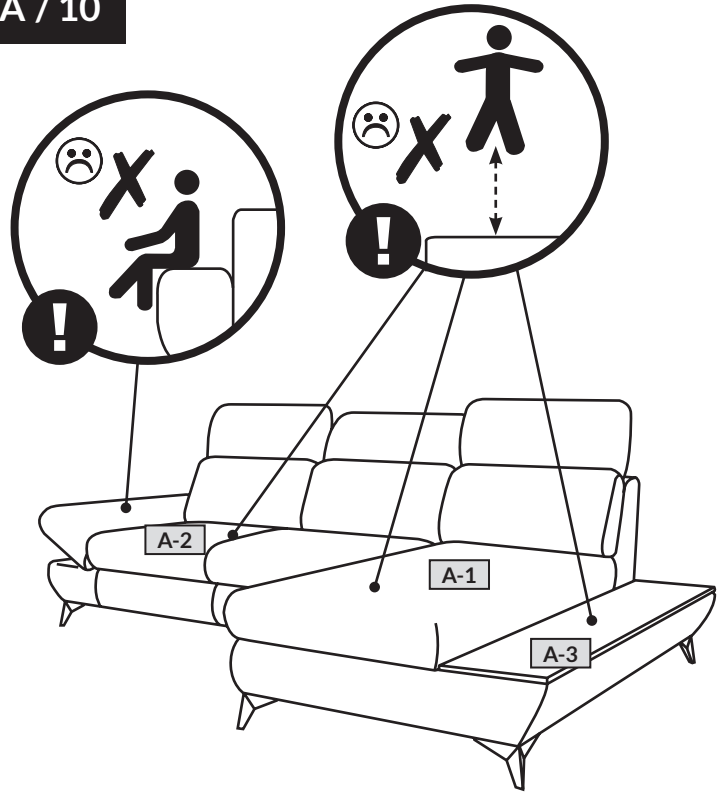
A/8



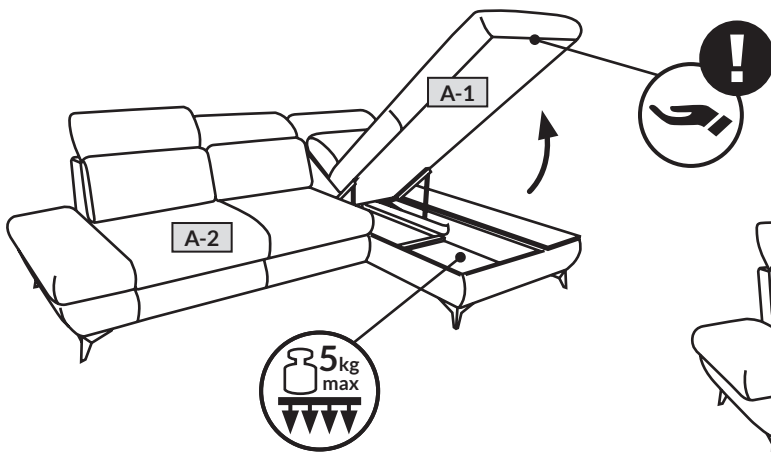
A/9



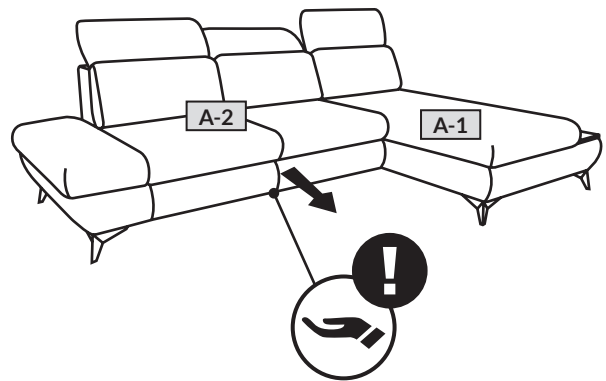
A/10



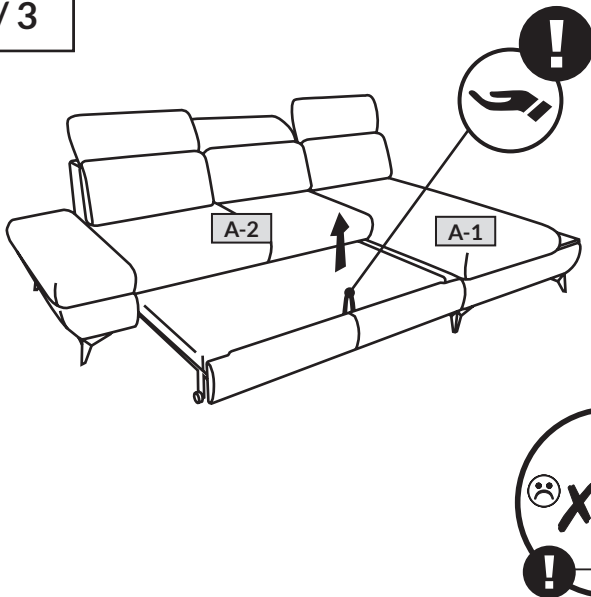
A/1



A/2



A/3



A/4

