



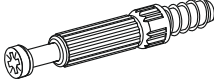

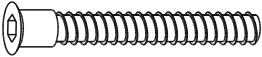



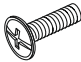
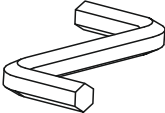

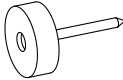
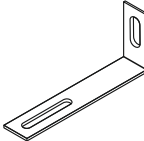

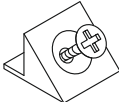
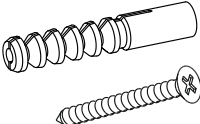
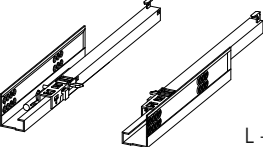
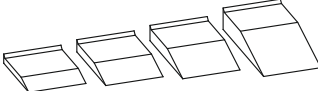
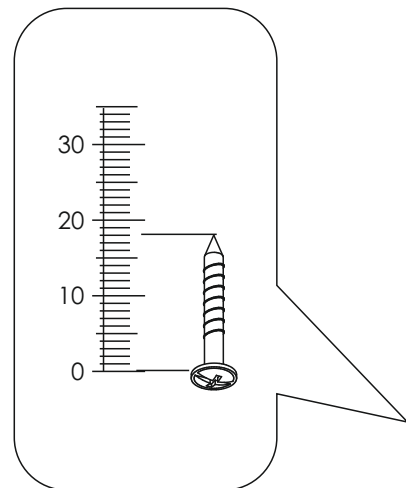
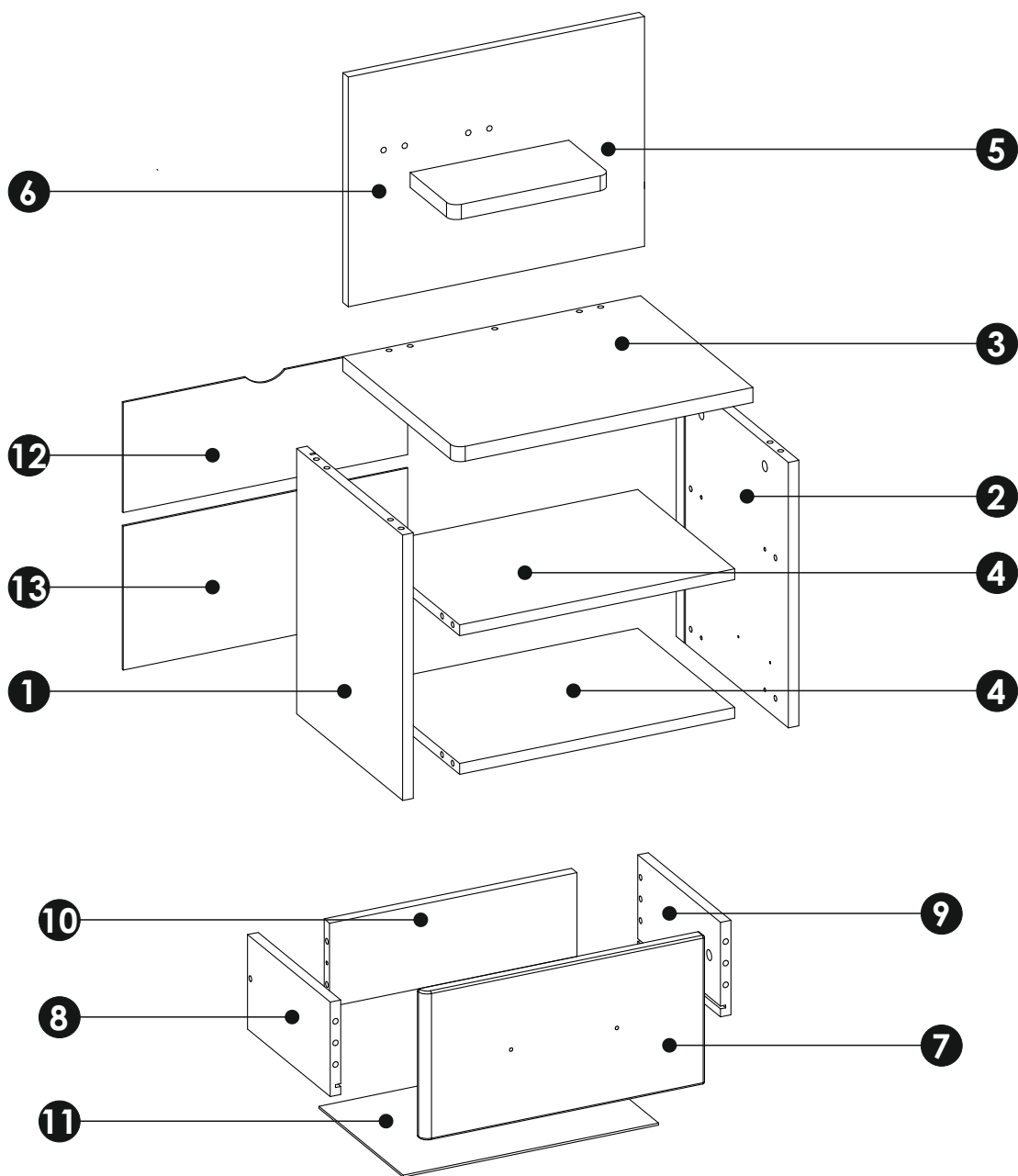
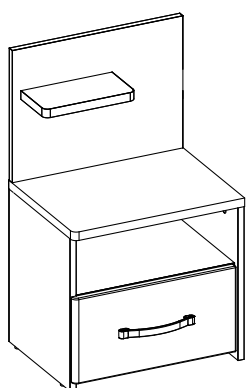


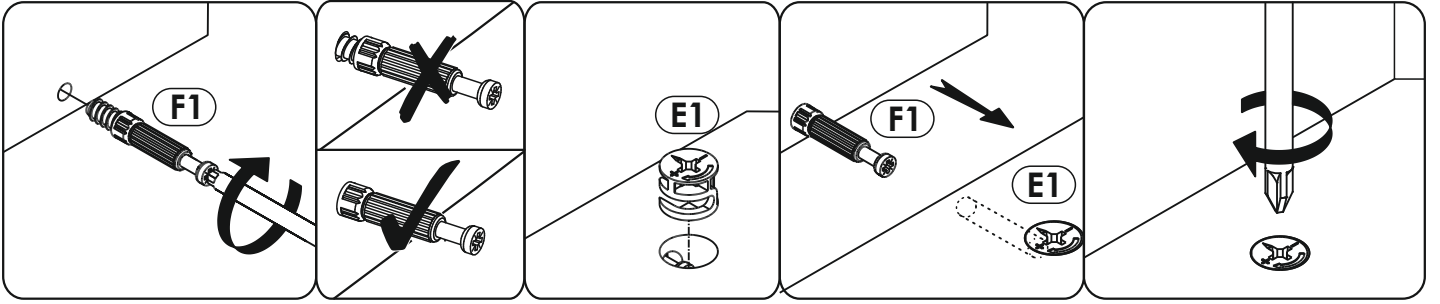
| | | |
|--|---|---|
| A1 $\varnothing 8 \times 35 \text{ mm}$ x25  | C2 $5 \times 13 \text{ mm}$ x4  | E0  x14 |
| E1 $15 \times 12 \text{ mm}$ x14  | F1 $6 \times 34 \text{ mm}$ x14  | G0  x6 |
| G1 $\varnothing 7 \times 50 \text{ mm}$ x4  | G2 $\varnothing 7 \times 60 \text{ mm}$ x2  | H1 $L-197 \text{ mm}$ x1  |
| I2 $4 \times 16 \text{ mm}$ x1  | J3 $4 \times 22 \text{ mm}$ x2  | M  x1 |
| N1 $3 \times 16 \text{ mm}$ x10  | O2  x4 | Q9  x1 |
| R1  x2 | R4  x6 | S13  x1 |
| T6  x1 $L - 250 \text{ mm}$ | Z  x1 | |



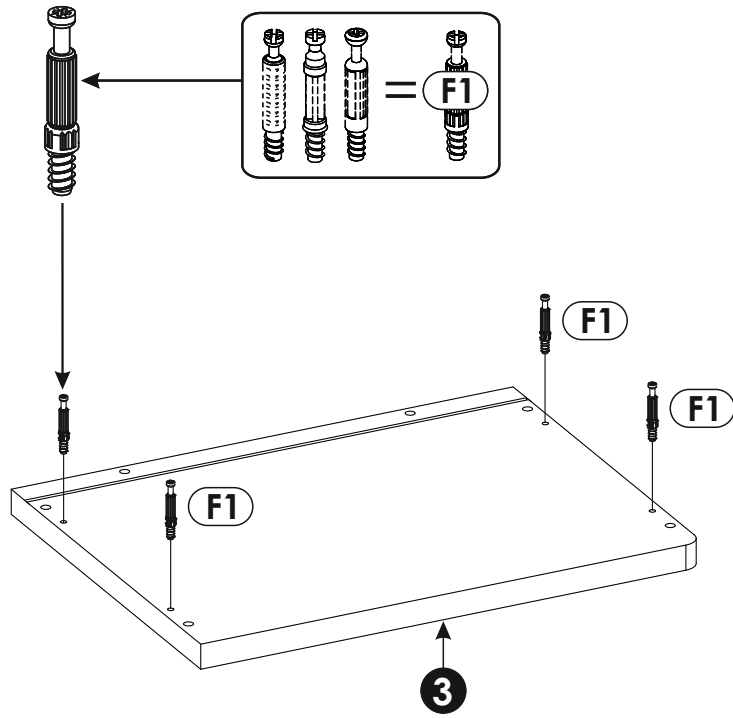


| | | | | | |
|----------|-----|-----|----|----|-----|
| 1 | 393 | 321 | 16 | x1 | 1/1 |
| 2 | 393 | 339 | 16 | x1 | 1/1 |
| 3 | 450 | 340 | 22 | x1 | 1/1 |
| 4 | 416 | 293 | 16 | x2 | 1/1 |
| 5 | 240 | 125 | 22 | x1 | 1/1 |
| 6 | 448 | 340 | 16 | x1 | 1/1 |
| 7 | 427 | 220 | 16 | x1 | 1/1 |

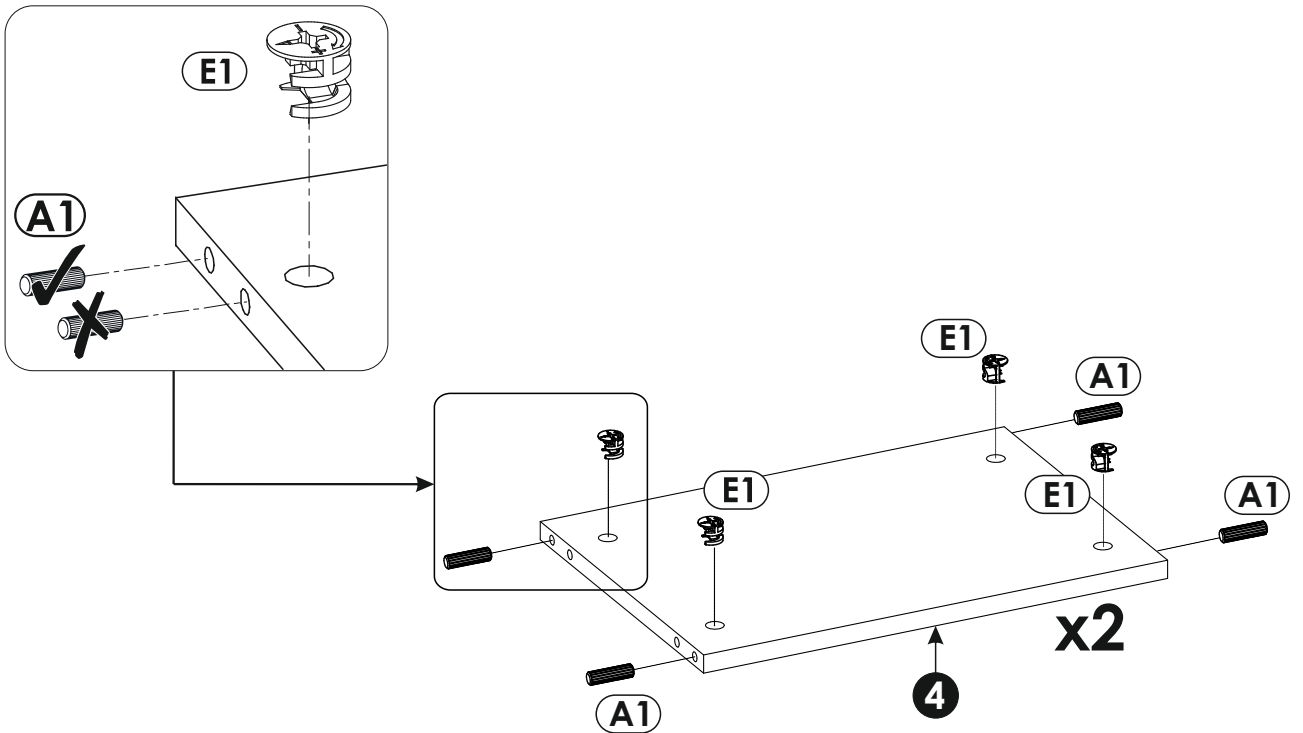
| | | | | | |
|-----------|-----|-----|----|----|-----|
| 8 | 250 | 140 | 16 | x1 | 1/1 |
| 9 | 250 | 140 | 16 | x1 | 1/1 |
| 10 | 374 | 124 | 16 | x1 | 1/1 |
| 11 | 386 | 253 | 3 | x1 | 1/1 |
| 12 | 430 | 163 | 3 | x1 | 1/1 |
| 13 | 430 | 213 | 3 | x1 | 1/1 |



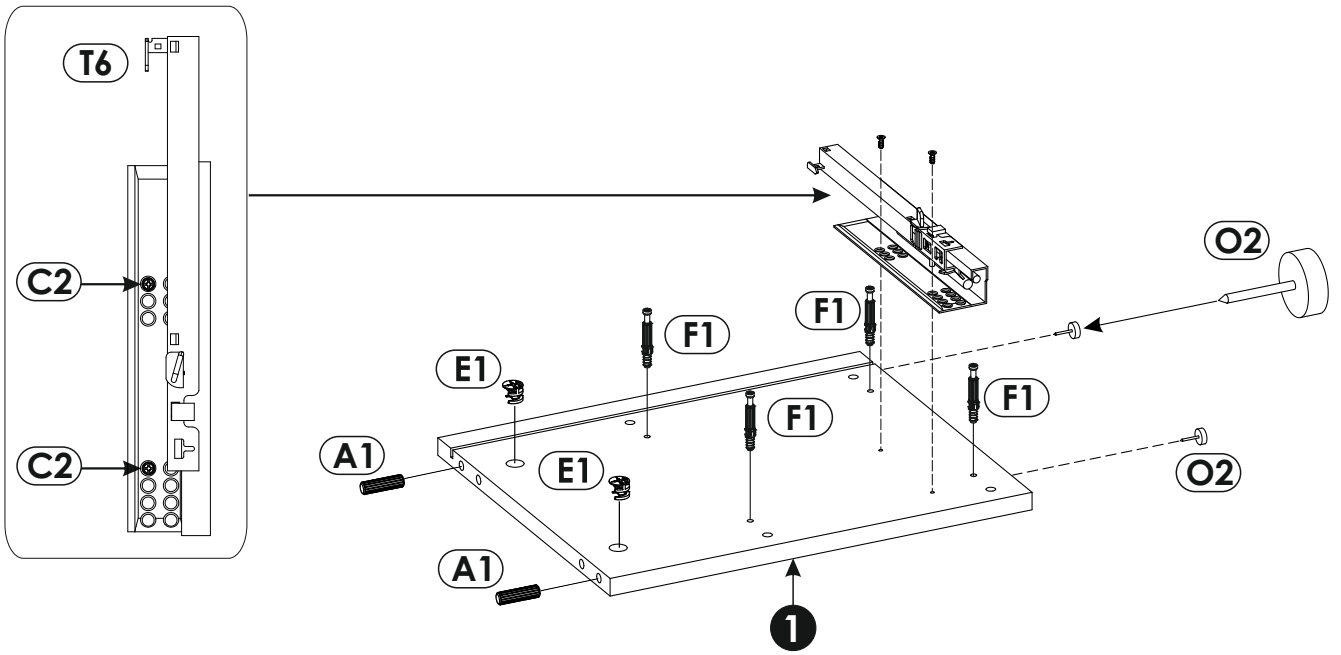
1 ▶



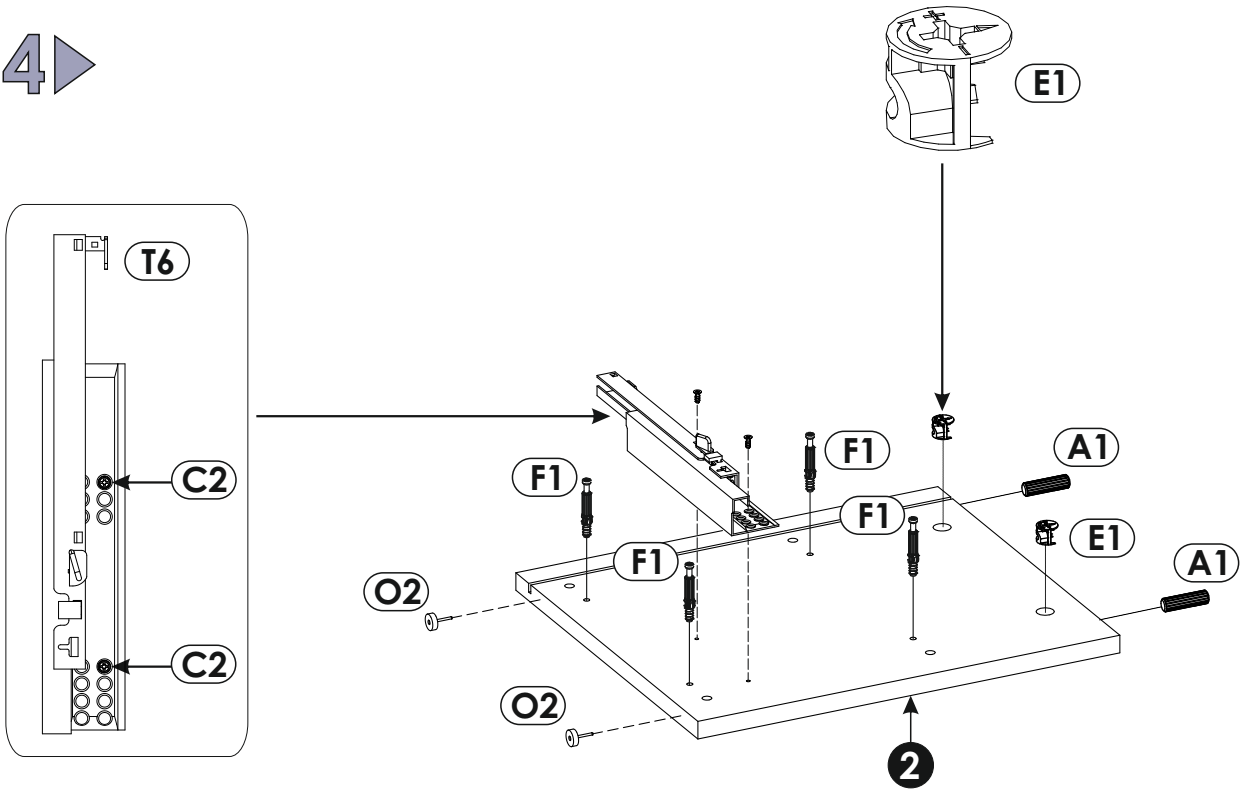
2 ▶



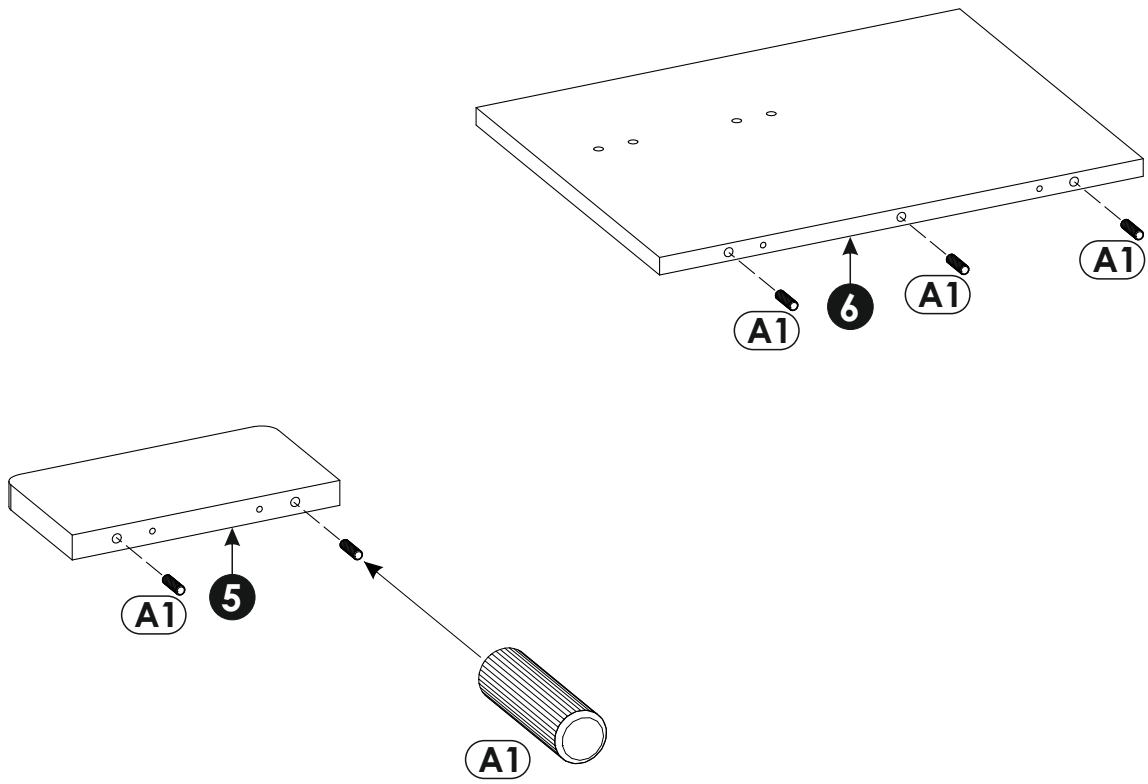
3 ▶



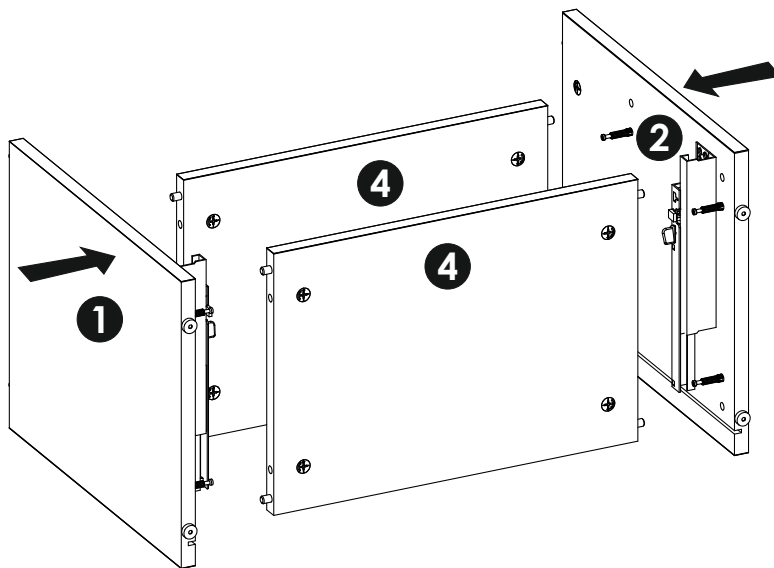
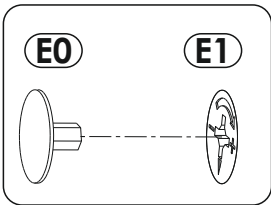
4 ▶



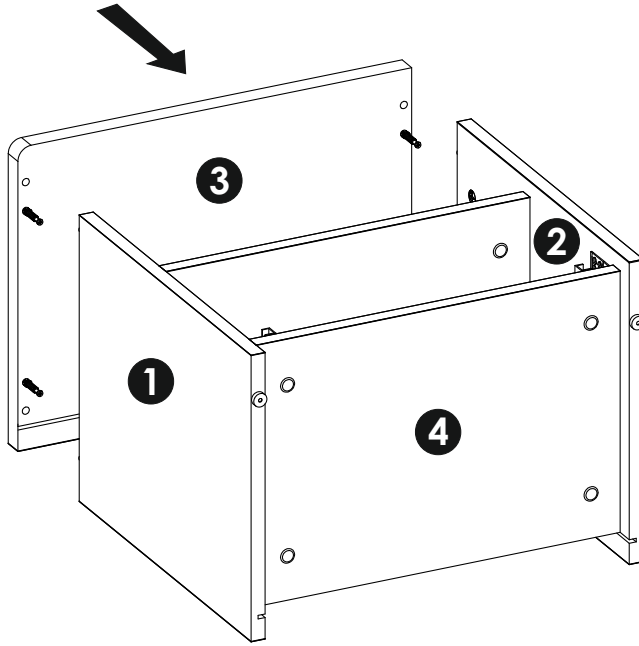
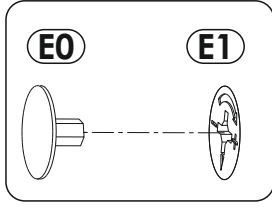
5 ▶



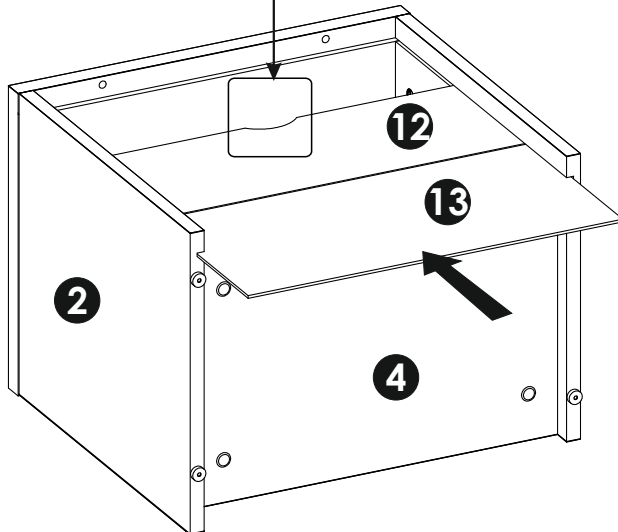
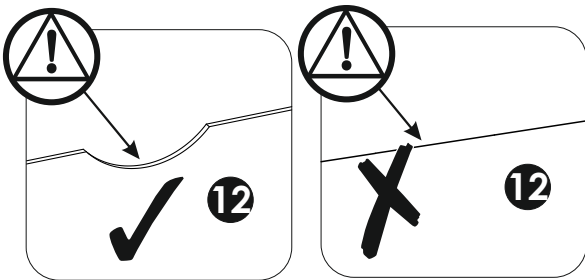
6 ▶



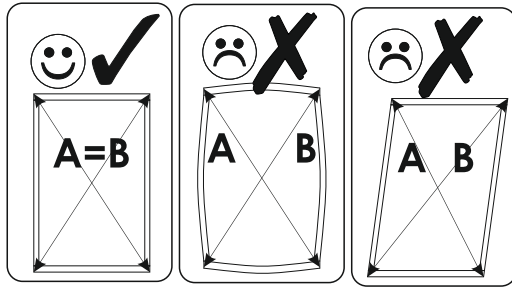
7 ▶



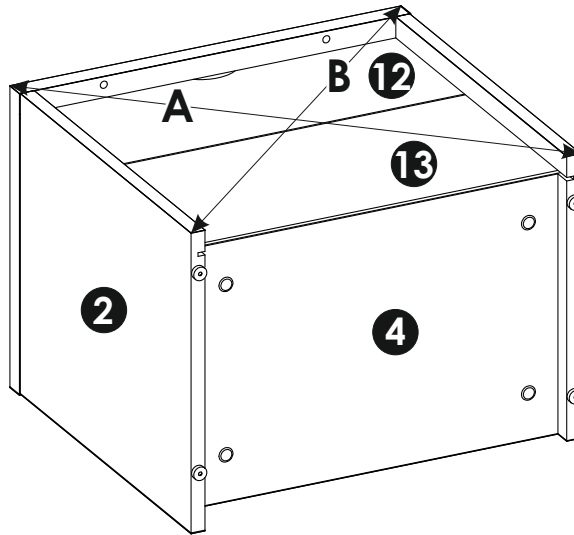
8 ▶



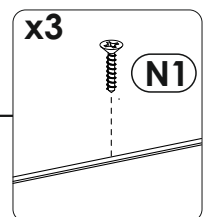
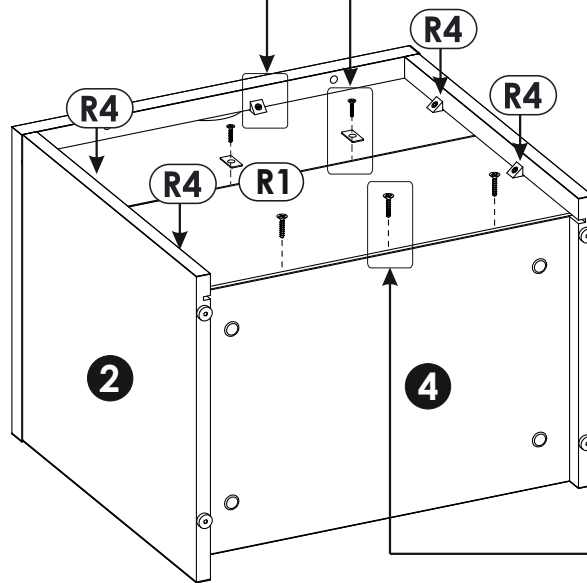
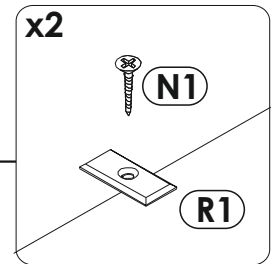
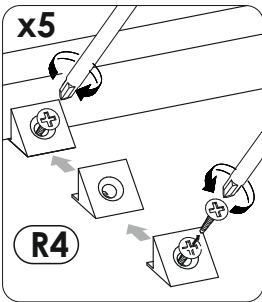
9 ▶



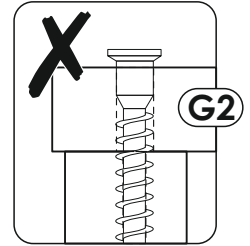
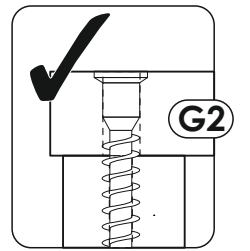
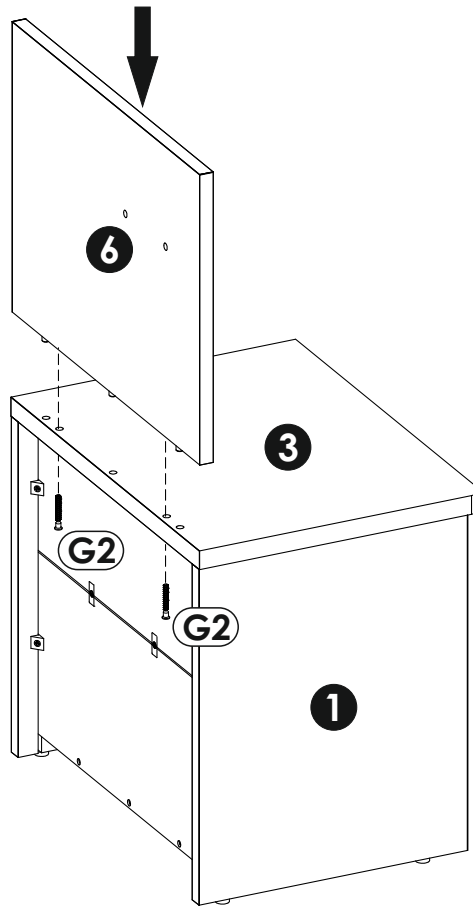
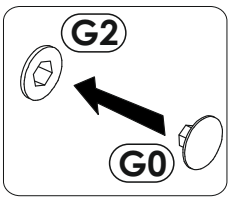
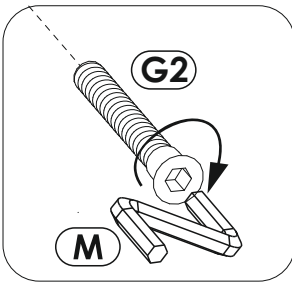
A=B



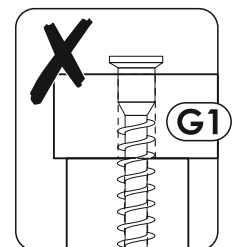
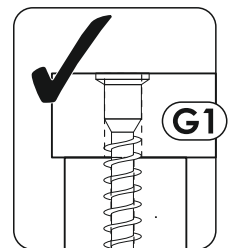
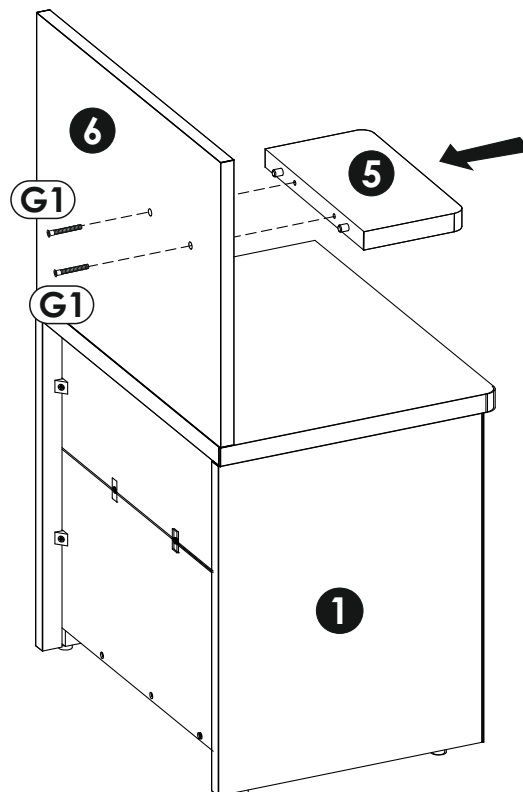
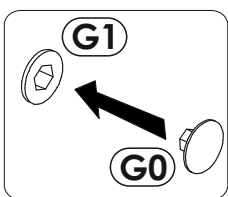
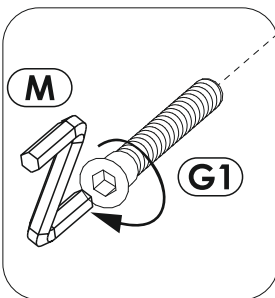
10 ▶



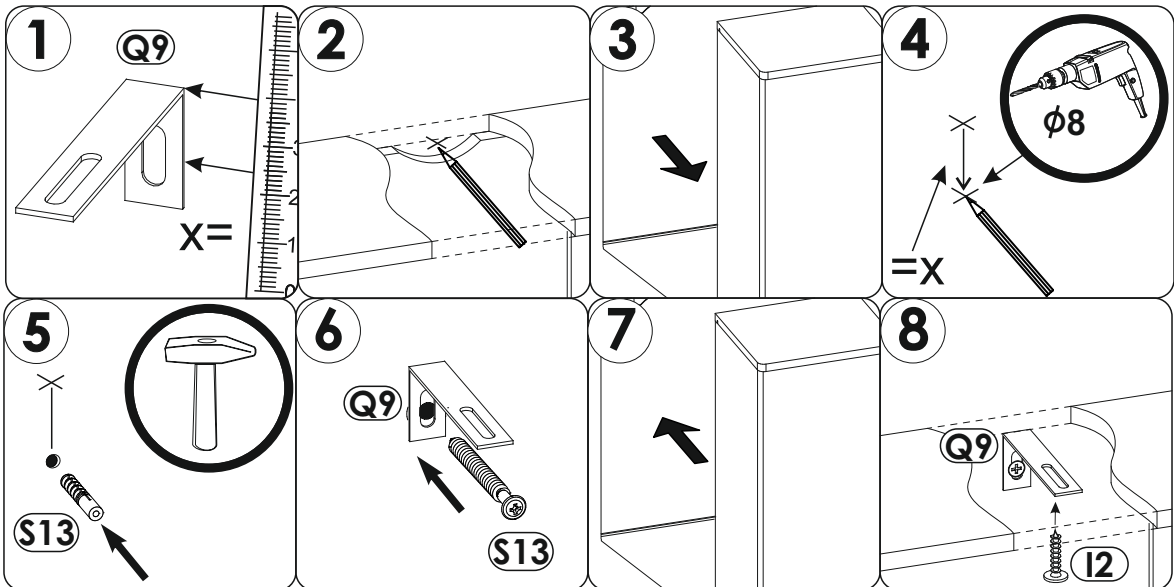
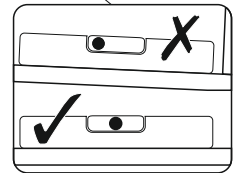
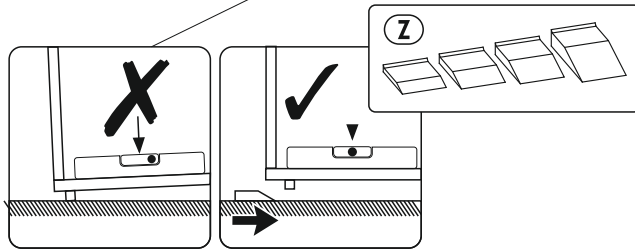
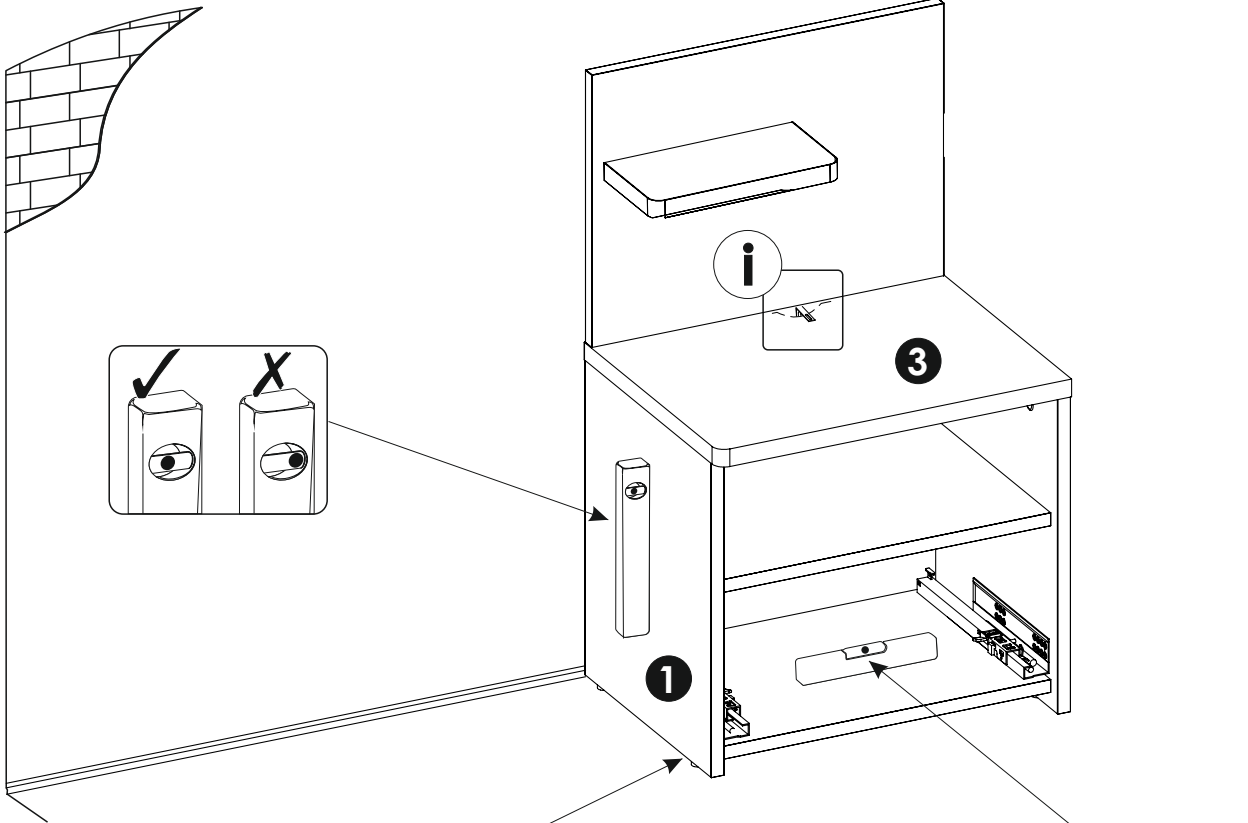
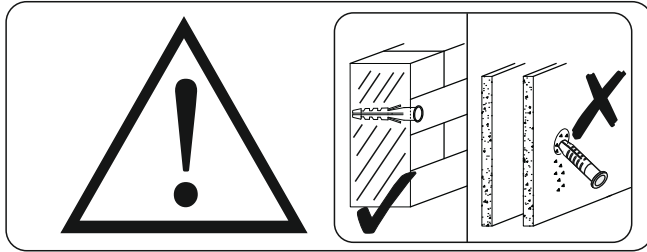
11 ▶



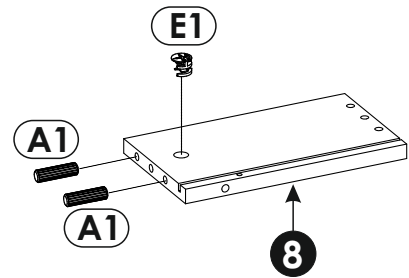
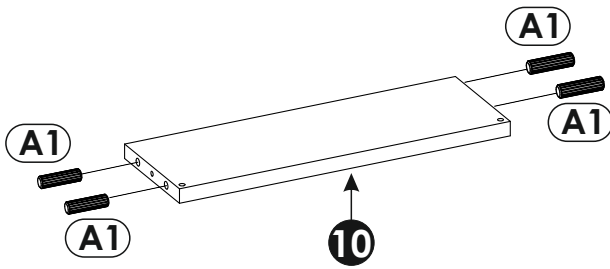
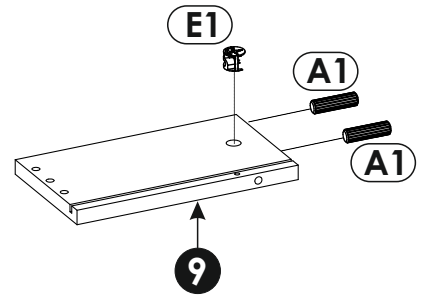
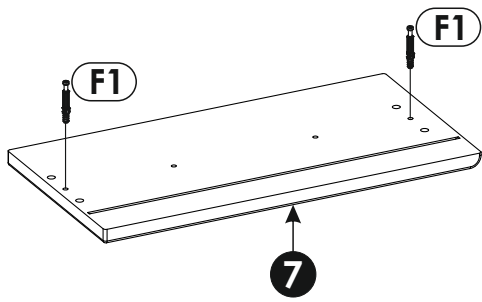
12 ▶



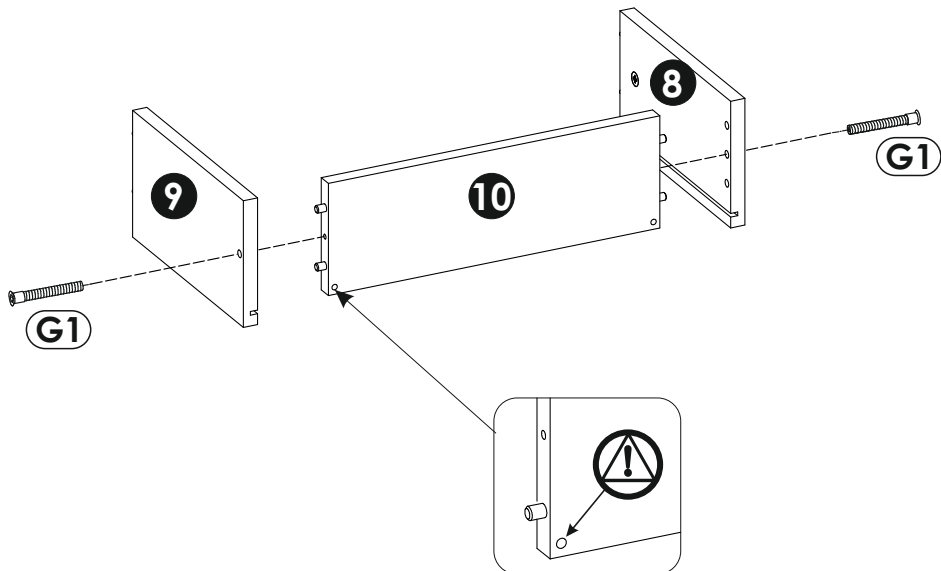
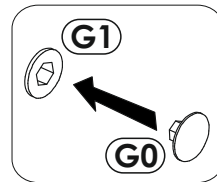
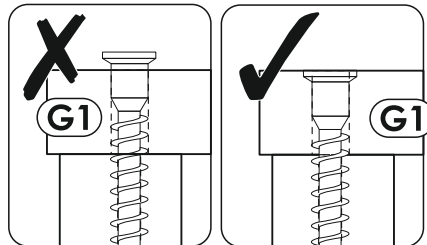
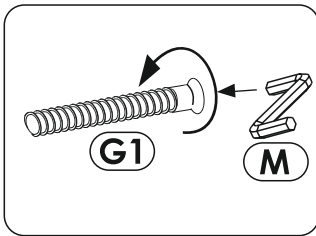
13 ▶



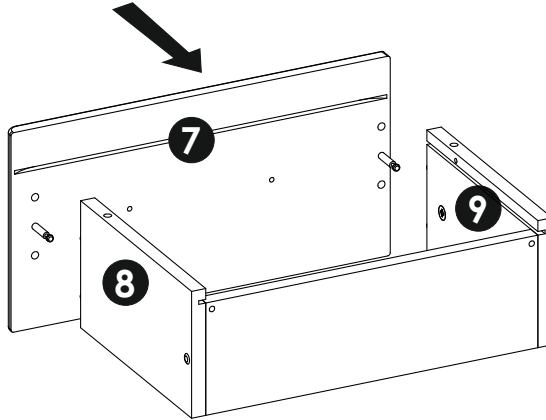
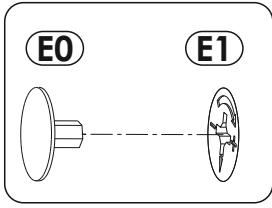
14 ▶



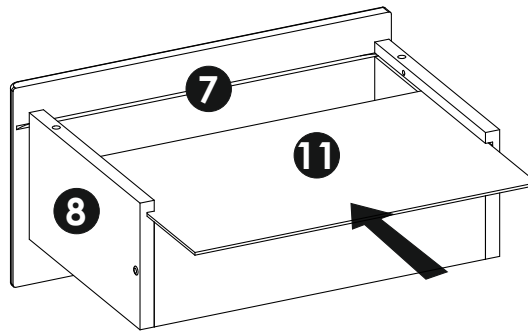
15 ▶



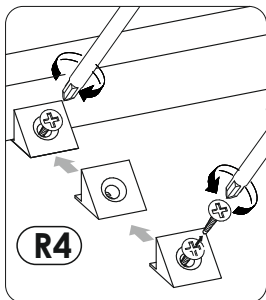
16 ▶



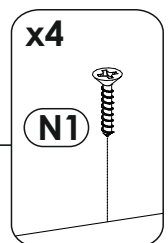
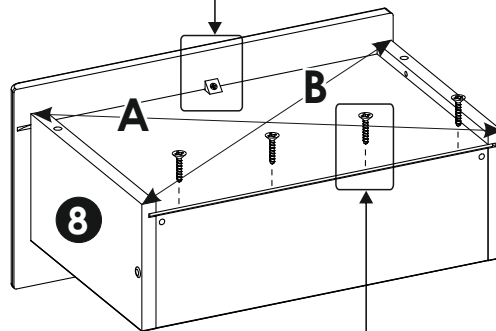
17 ▶



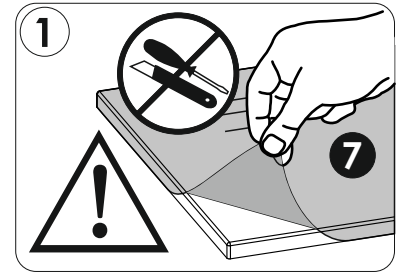
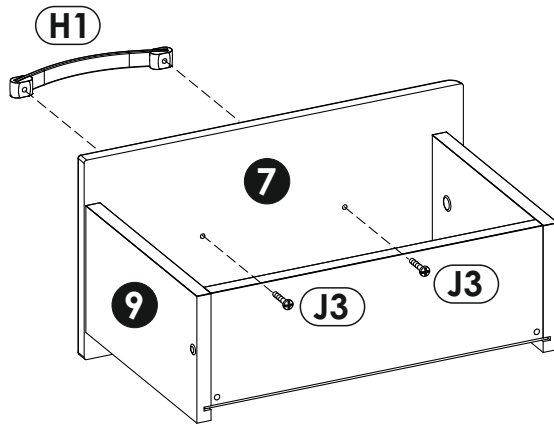
18 ▶



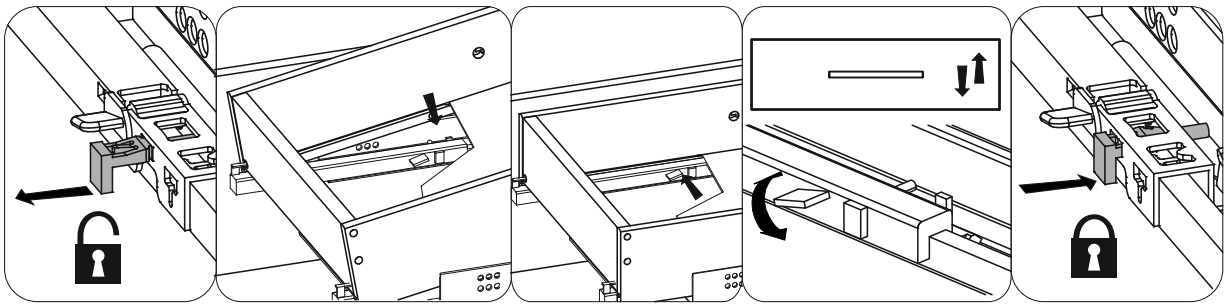
A=B



19 ▶

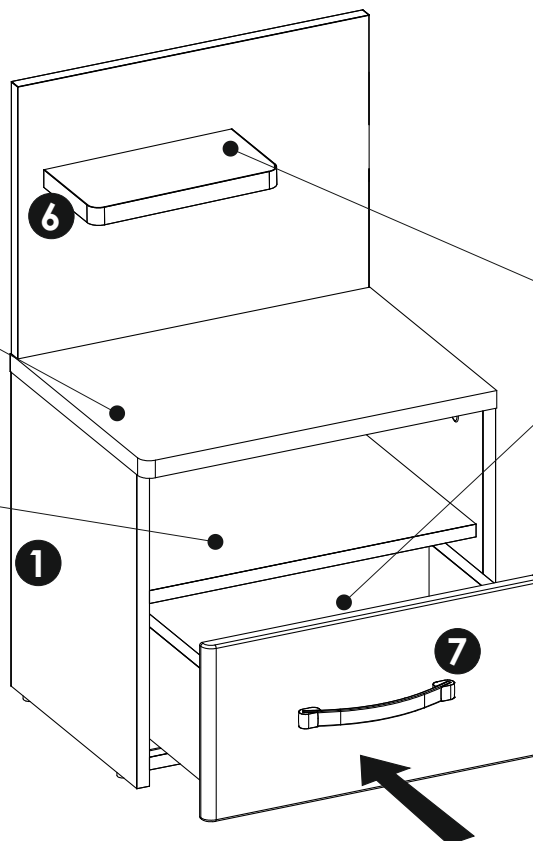


20 ▶

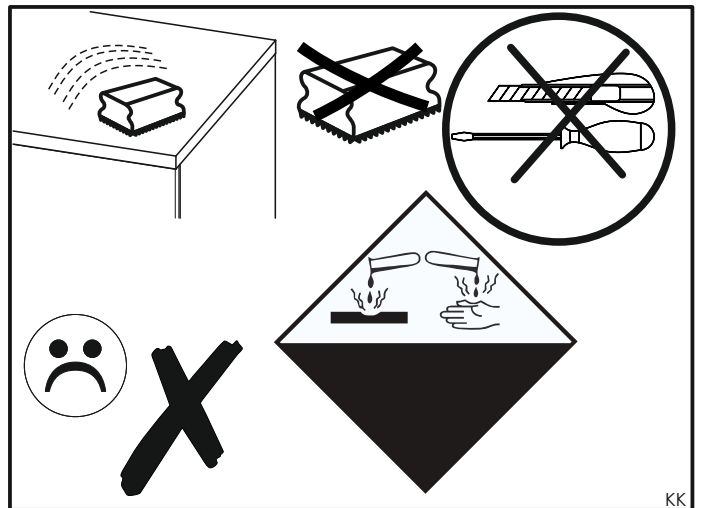
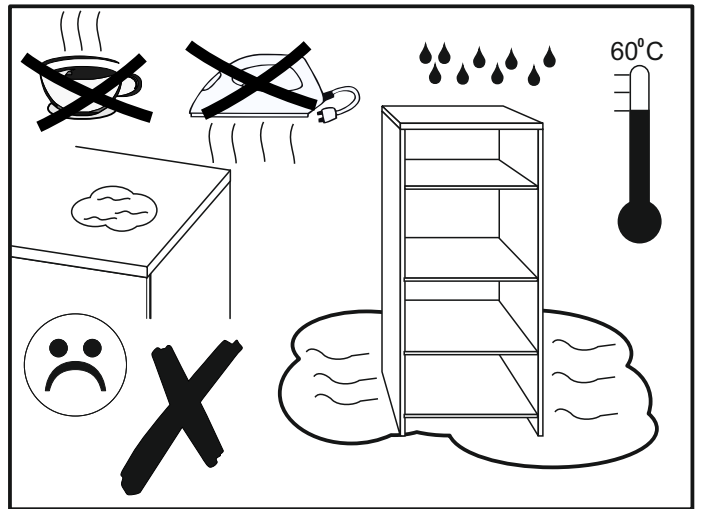
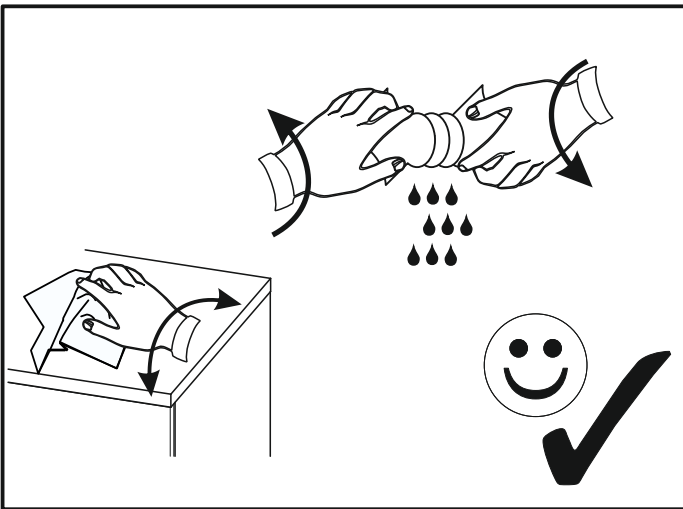


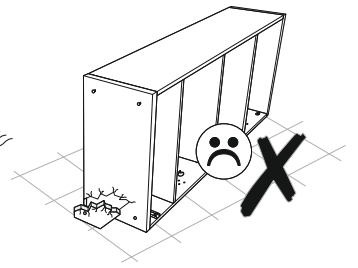
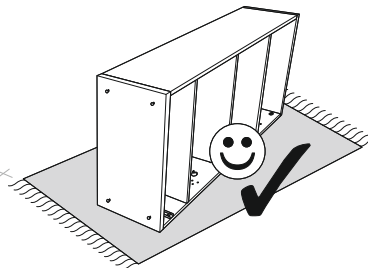
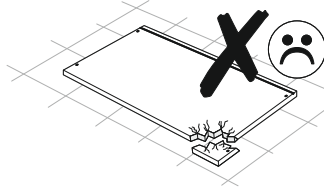
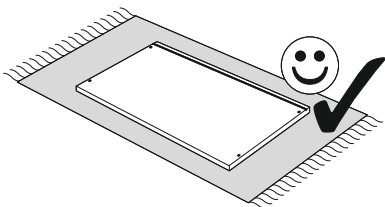
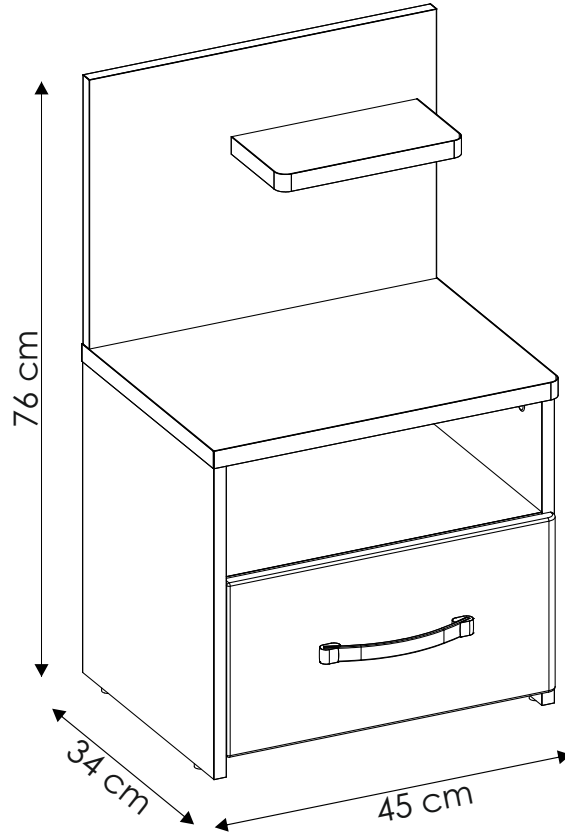
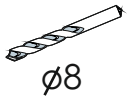
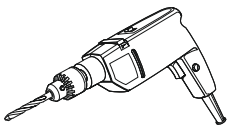
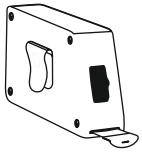
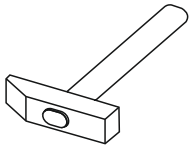
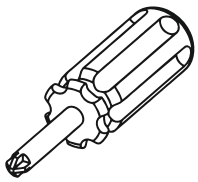
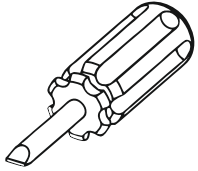
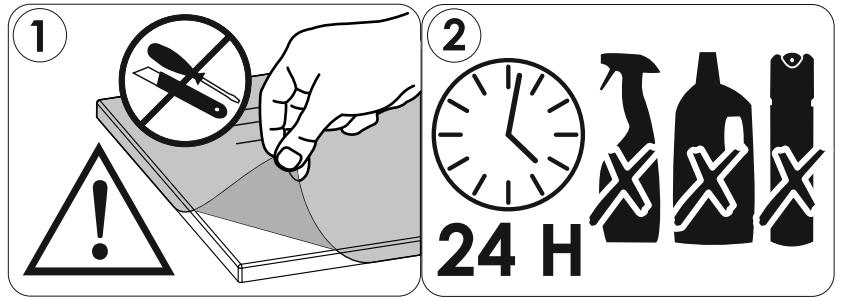
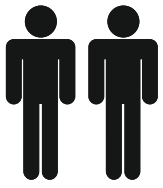
max.
20 kg

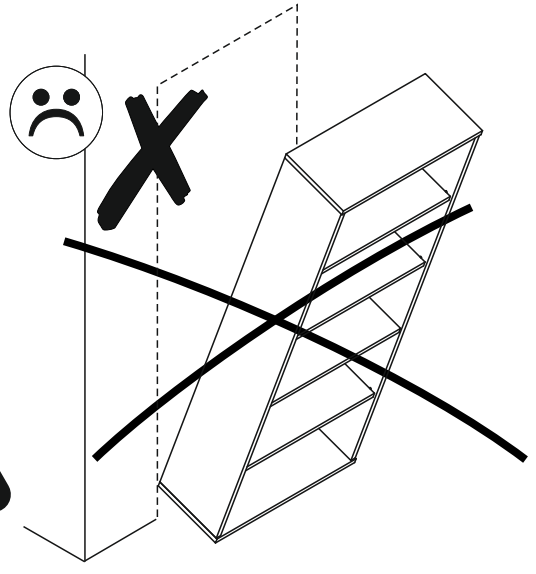
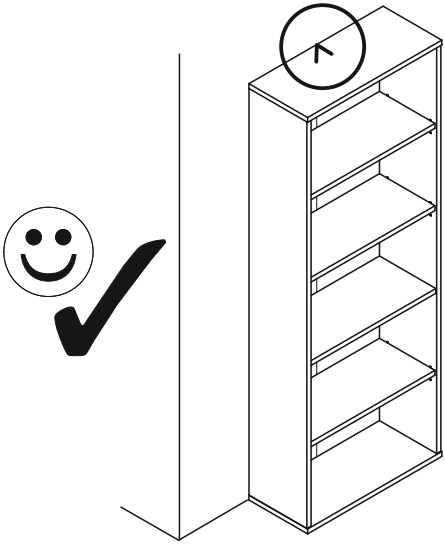
max.
5 kg

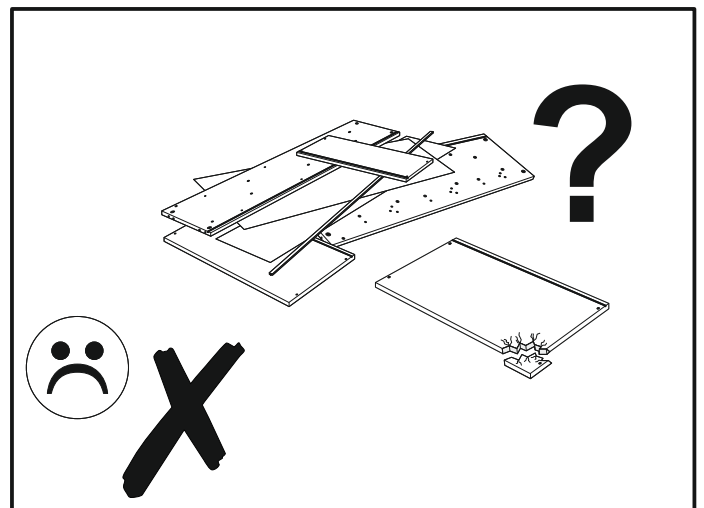
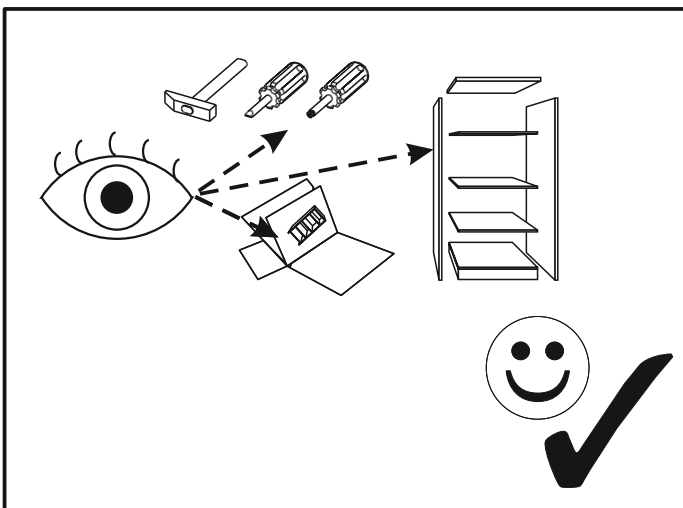
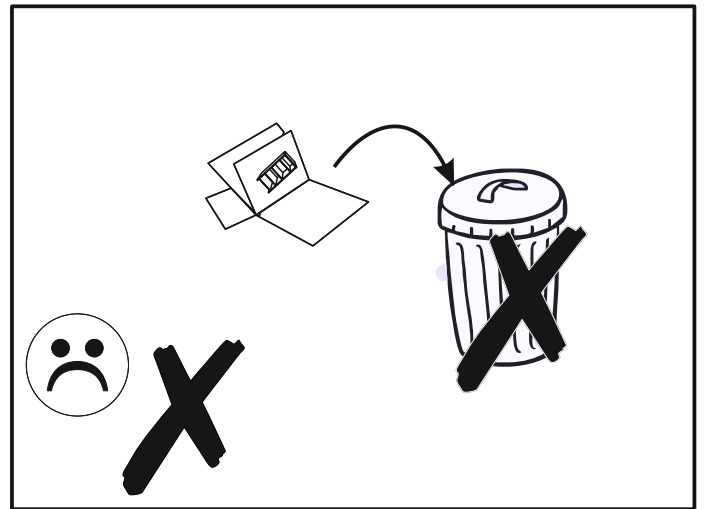
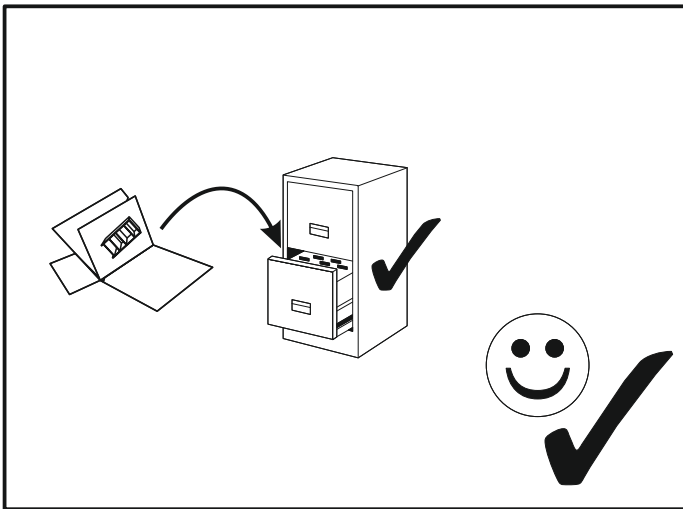
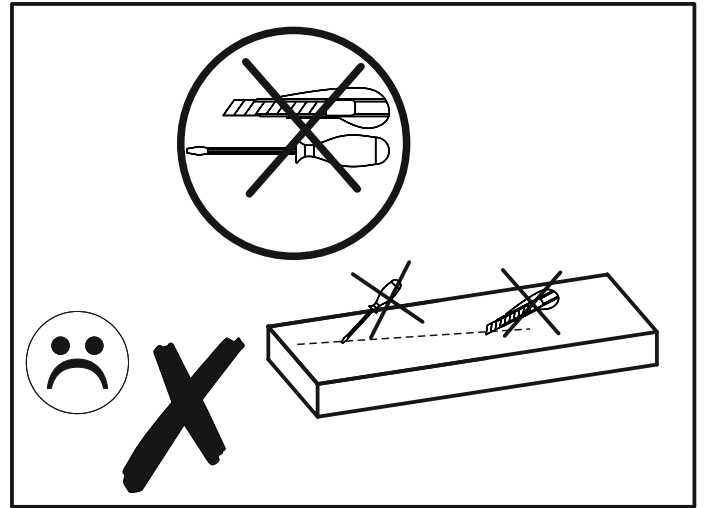
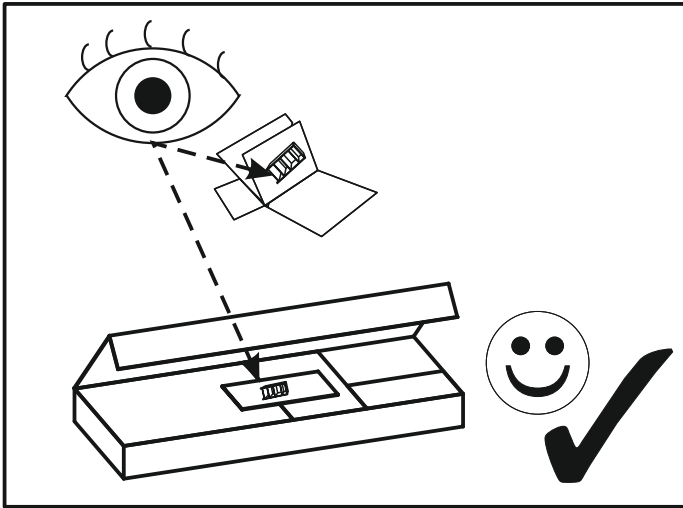


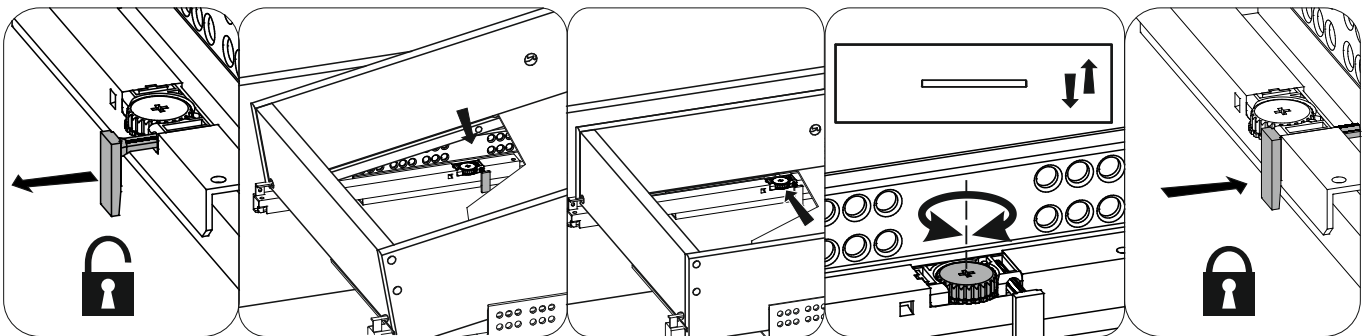
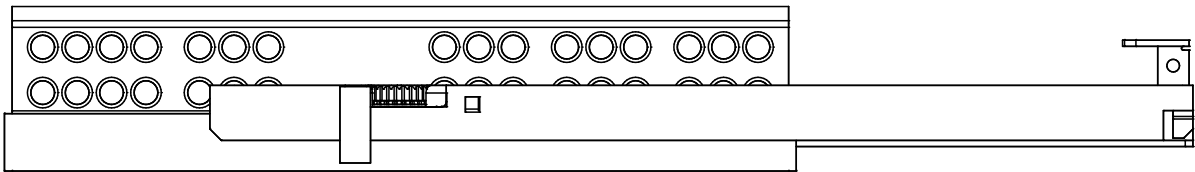
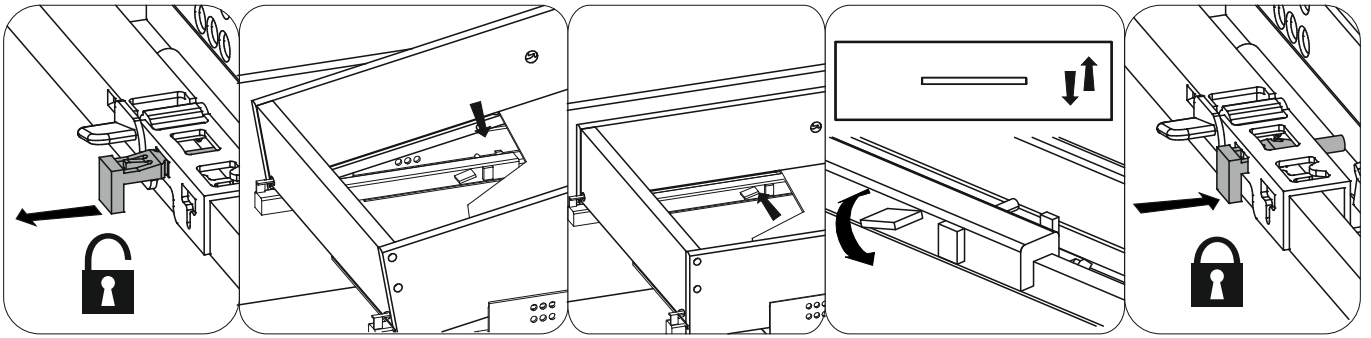
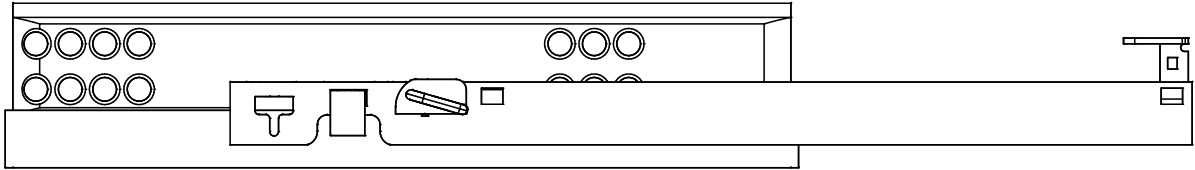
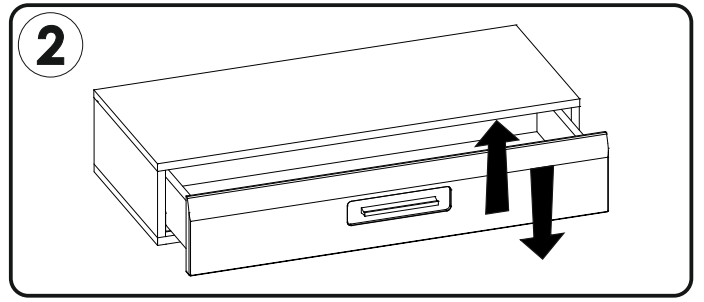
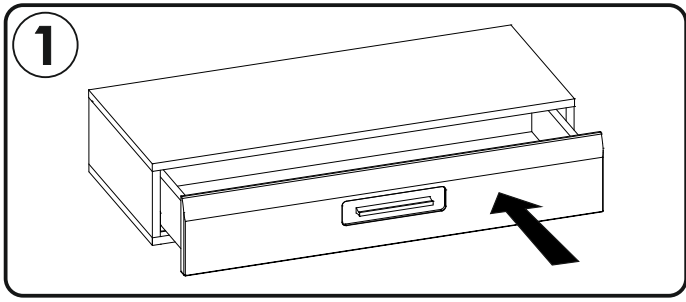
max.
3 kg

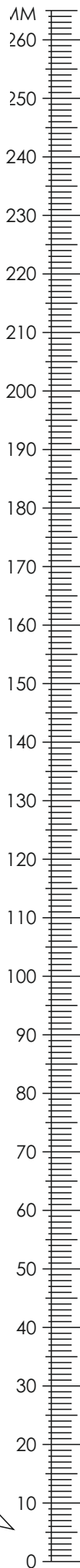






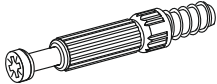





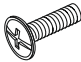
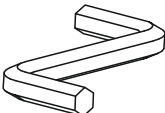

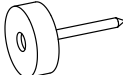
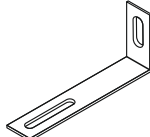

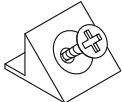
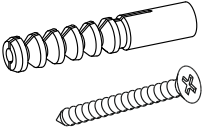
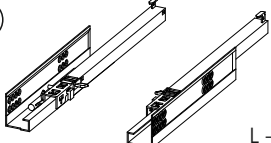
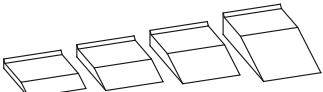


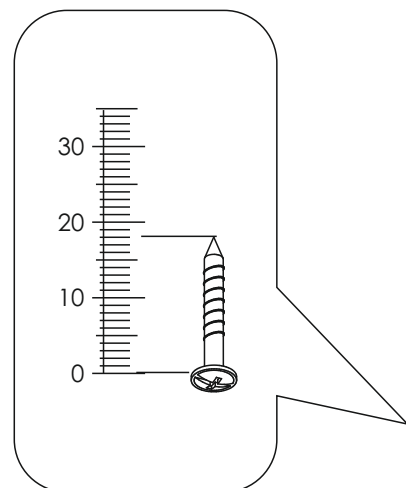


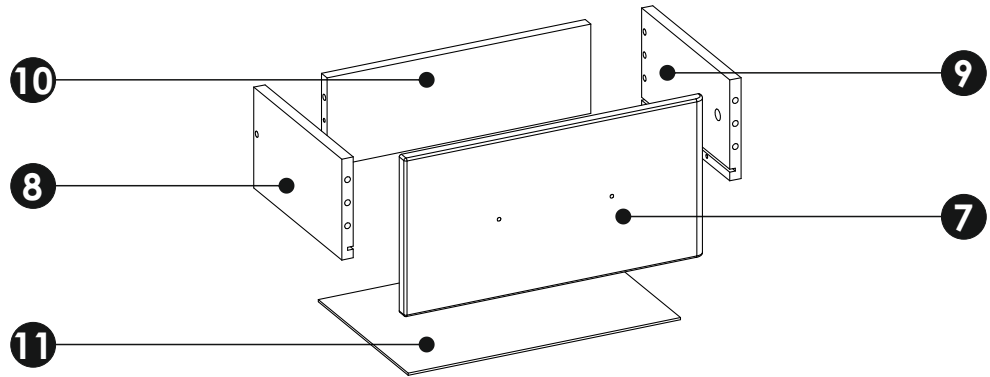
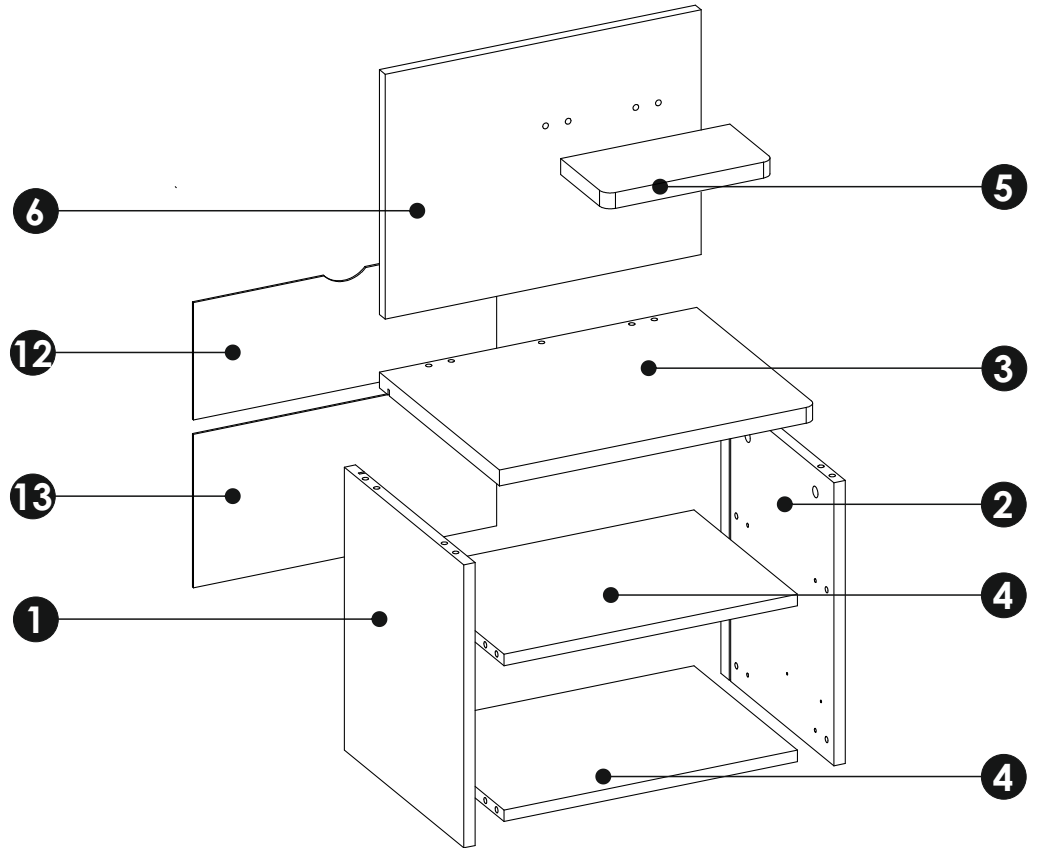
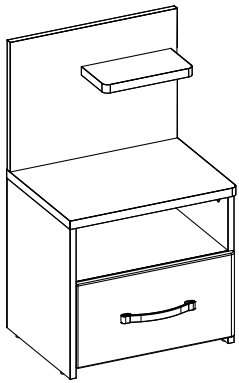






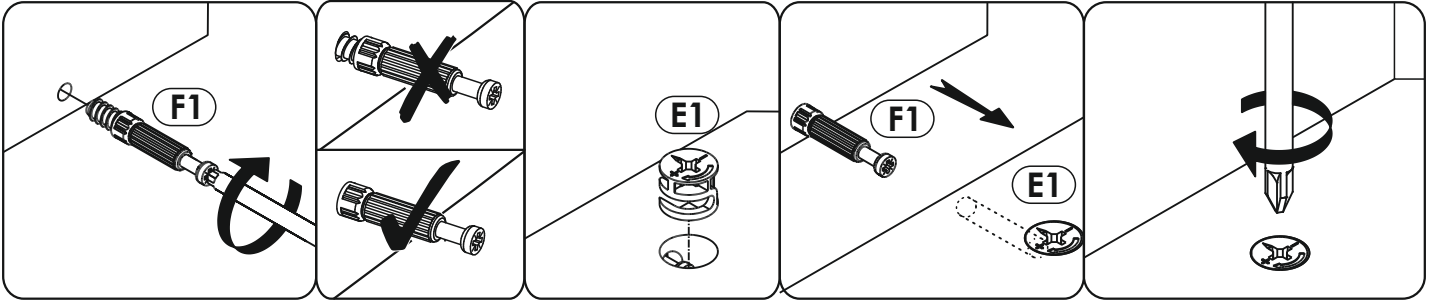
| | | |
|--|---|---|
| A1 $\varnothing 8 \times 35 \text{ mm}$ x25  | C2 $5 \times 13 \text{ mm}$ x4  | E0  x14 |
| E1 $15 \times 12 \text{ mm}$ x14  | F1 $6 \times 34 \text{ mm}$ x14  | G0  x6 |
| G1 $\varnothing 7 \times 50 \text{ mm}$ x4  | G2 $\varnothing 7 \times 60 \text{ mm}$ x2  | H1 $L-197 \text{ mm}$ x1  |
| I2 $4 \times 16 \text{ mm}$ x1  | J3 $4 \times 22 \text{ mm}$ x2  | M  x1 |
| N1 $3 \times 16 \text{ mm}$ x10  | O2  x4 | Q9  x1 |
| R1  x2 | R4  x6 | S13  x1 |
| T6  x1 $L - 250\text{mm}$ | Z  x1 | |



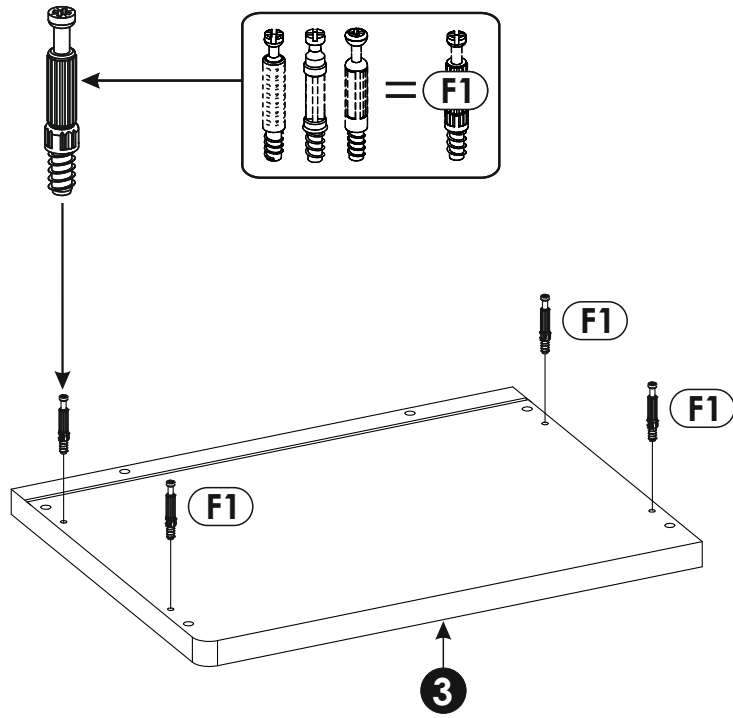


| | | | | | |
|----------|-----|-----|----|----|-----|
| 1 | 393 | 339 | 16 | x1 | 1/1 |
| 2 | 393 | 321 | 16 | x1 | 1/1 |
| 3 | 450 | 340 | 22 | x1 | 1/1 |
| 4 | 416 | 293 | 16 | x2 | 1/1 |
| 5 | 240 | 125 | 22 | x1 | 1/1 |
| 6 | 448 | 340 | 16 | x1 | 1/1 |
| 7 | 427 | 220 | 16 | x1 | 1/1 |

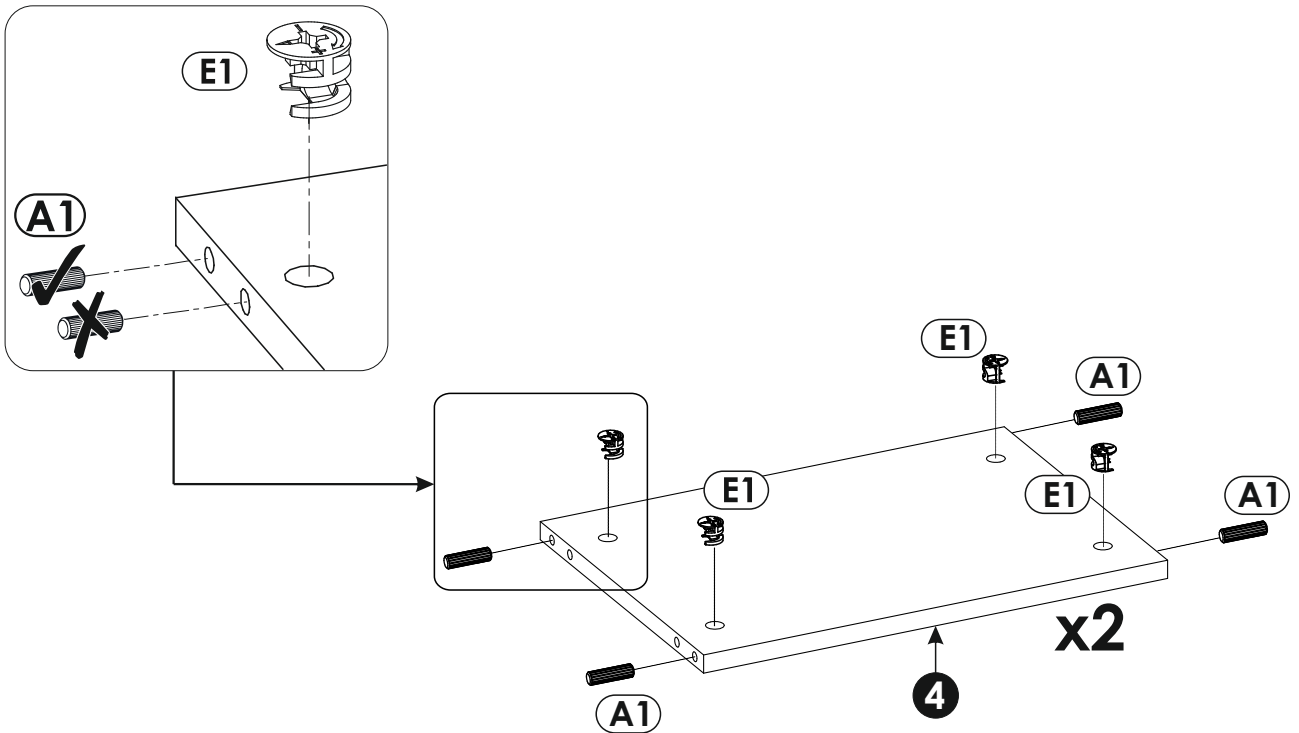
| | | | | | |
|-----------|-----|-----|----|----|-----|
| 8 | 250 | 140 | 16 | x1 | 1/1 |
| 9 | 250 | 140 | 16 | x1 | 1/1 |
| 10 | 374 | 124 | 16 | x1 | 1/1 |
| 11 | 386 | 253 | 3 | x1 | 1/1 |
| 12 | 430 | 163 | 3 | x1 | 1/1 |
| 13 | 430 | 213 | 3 | x1 | 1/1 |



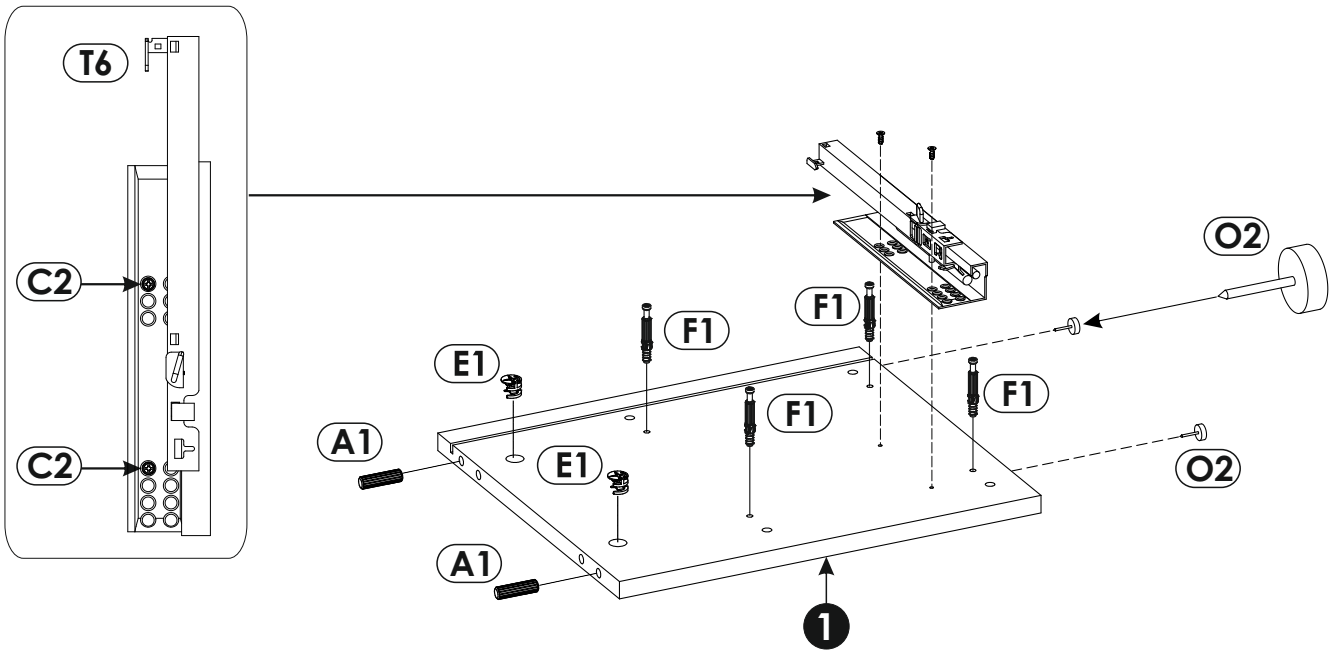
1 ▶



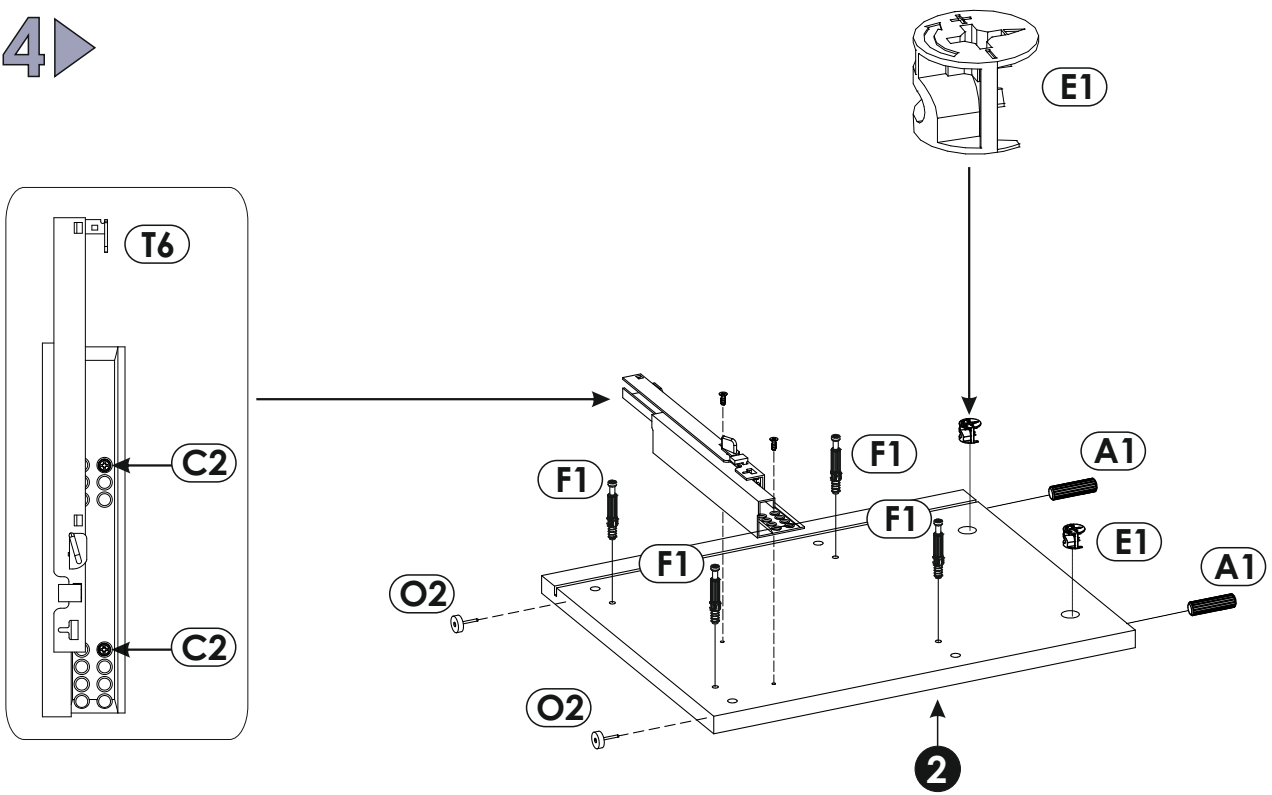
2 ▶



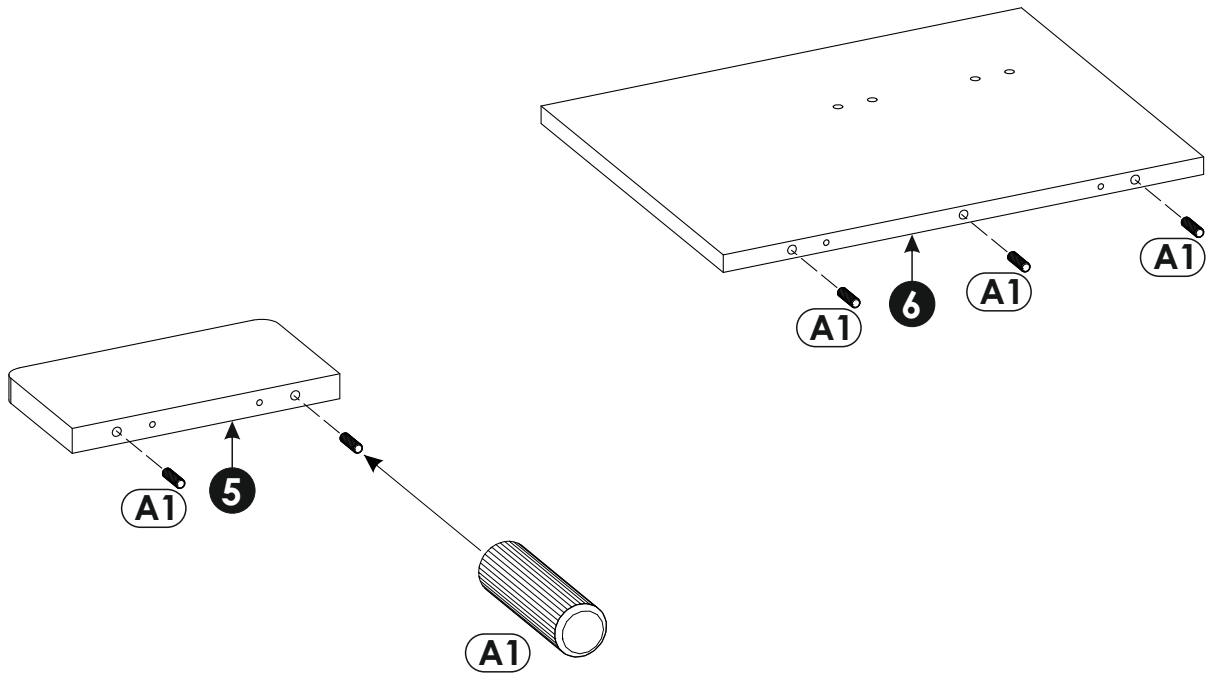
3 ▶



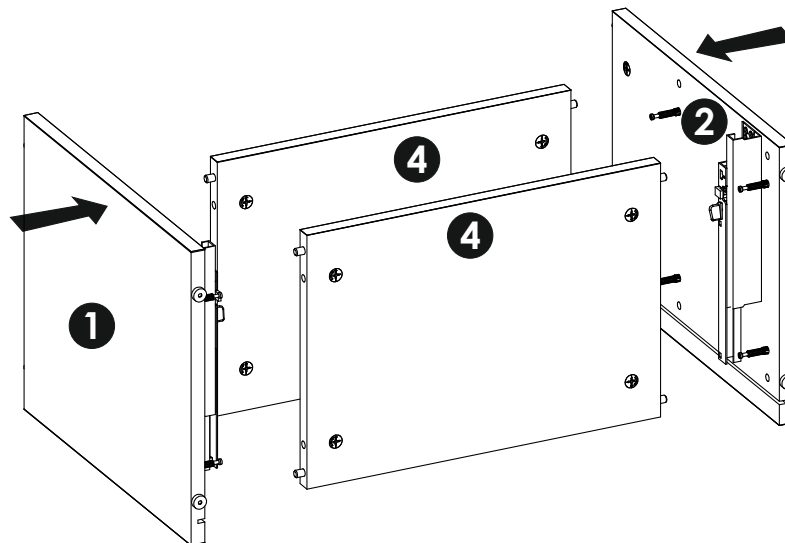
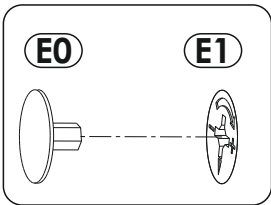
4 ▶



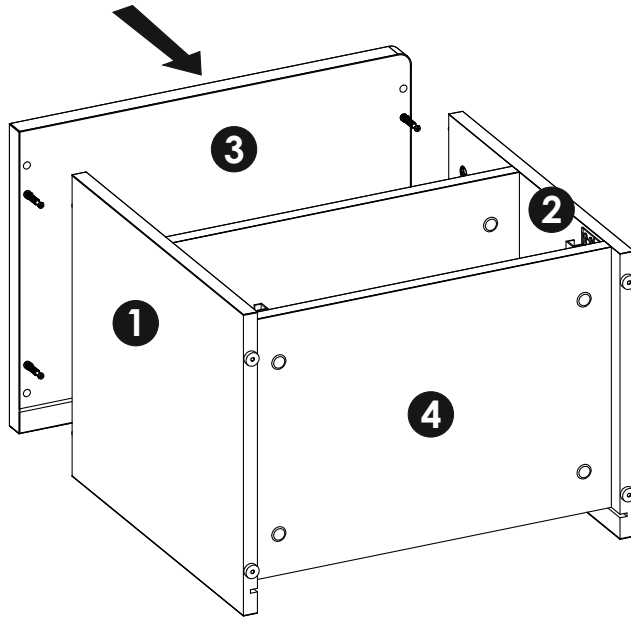
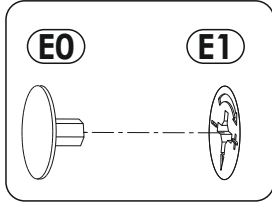
5 ▶



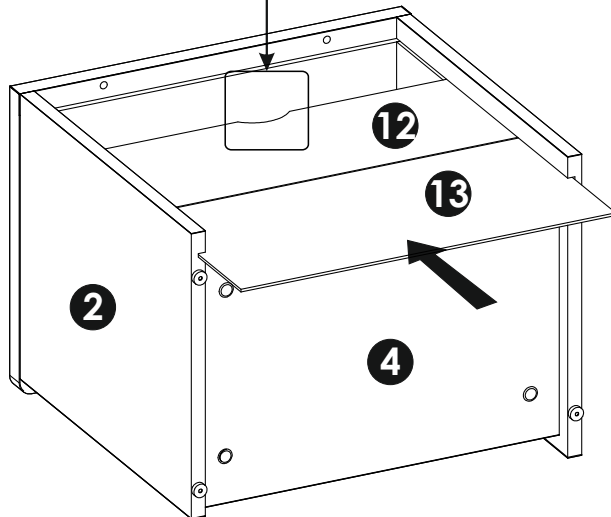
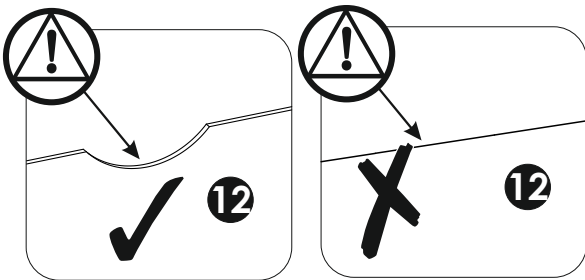
6 ▶



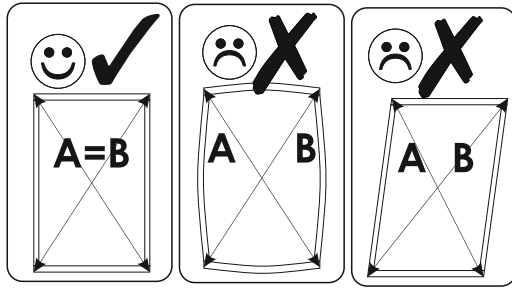
7 ▶



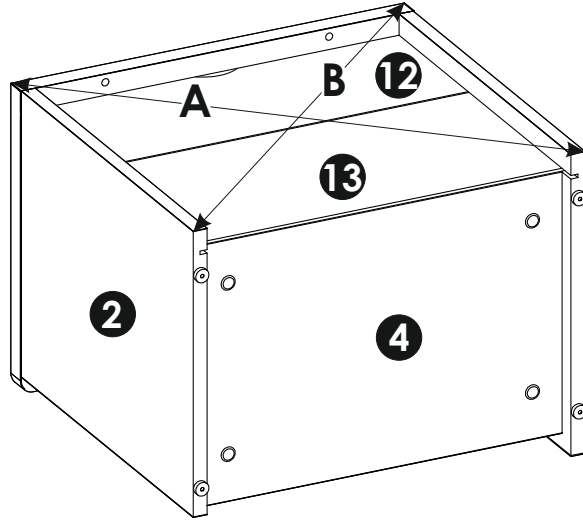
8 ▶



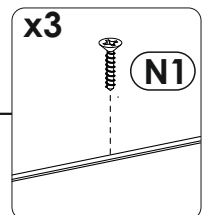
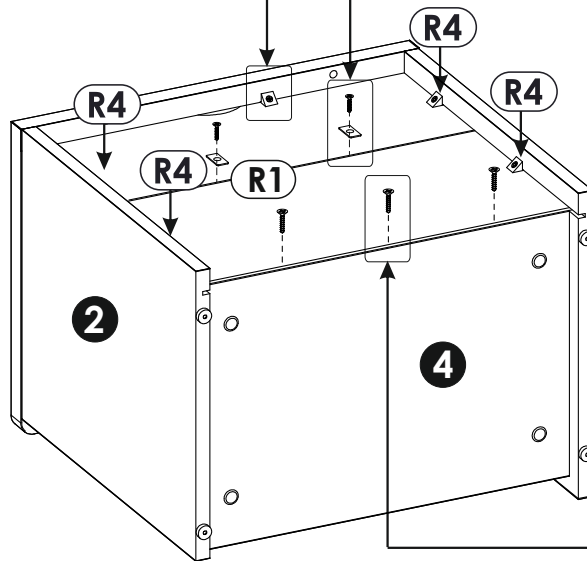
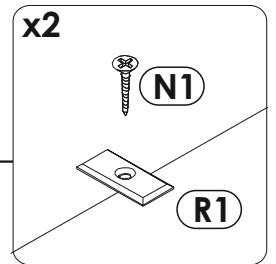
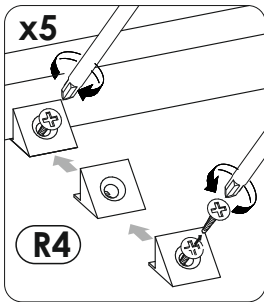
9 ▶



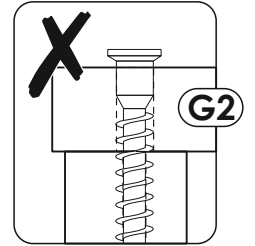
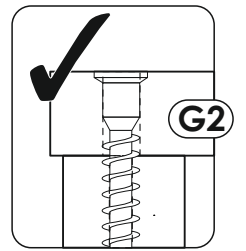
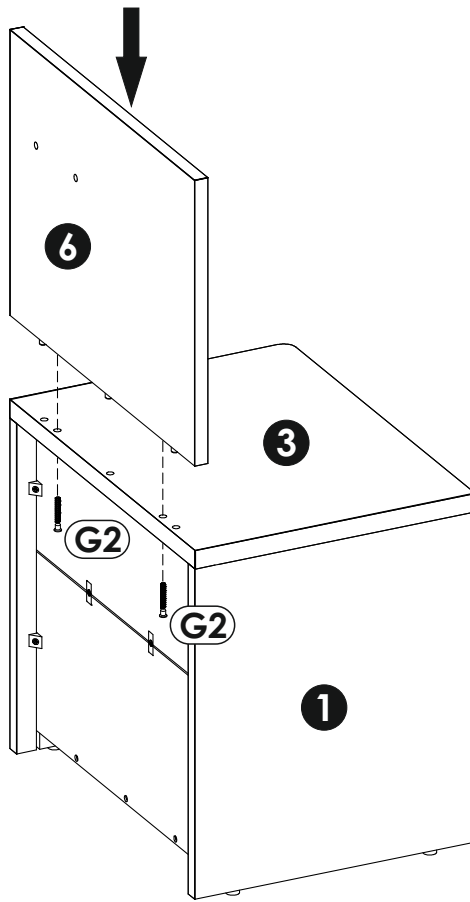
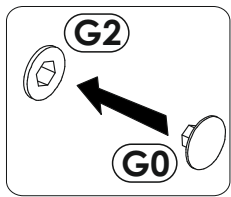
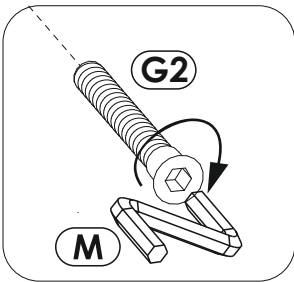
A=B



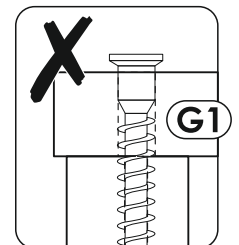
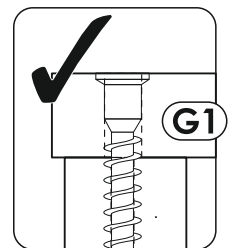
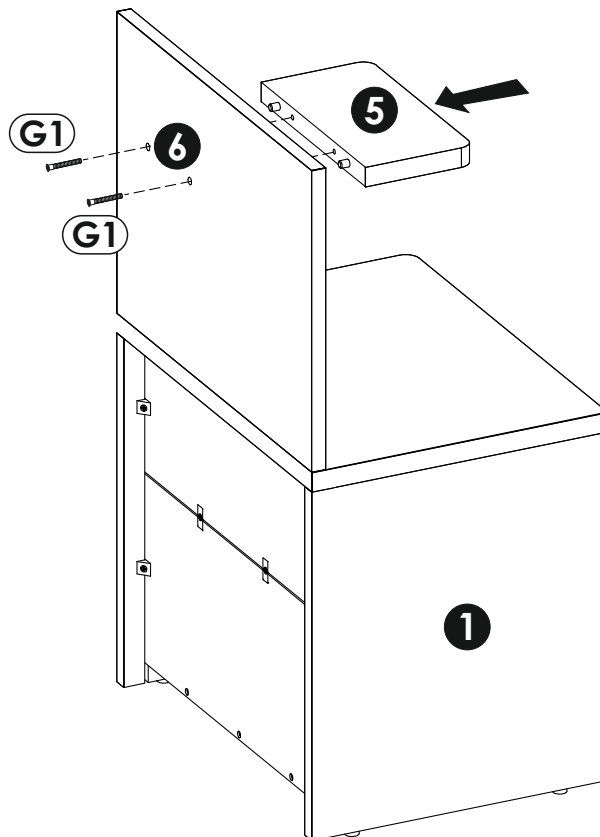
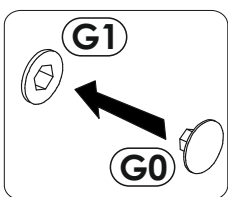
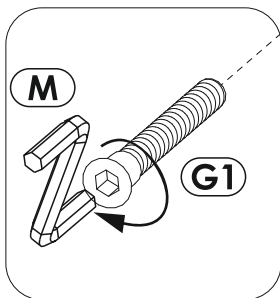
10 ▶



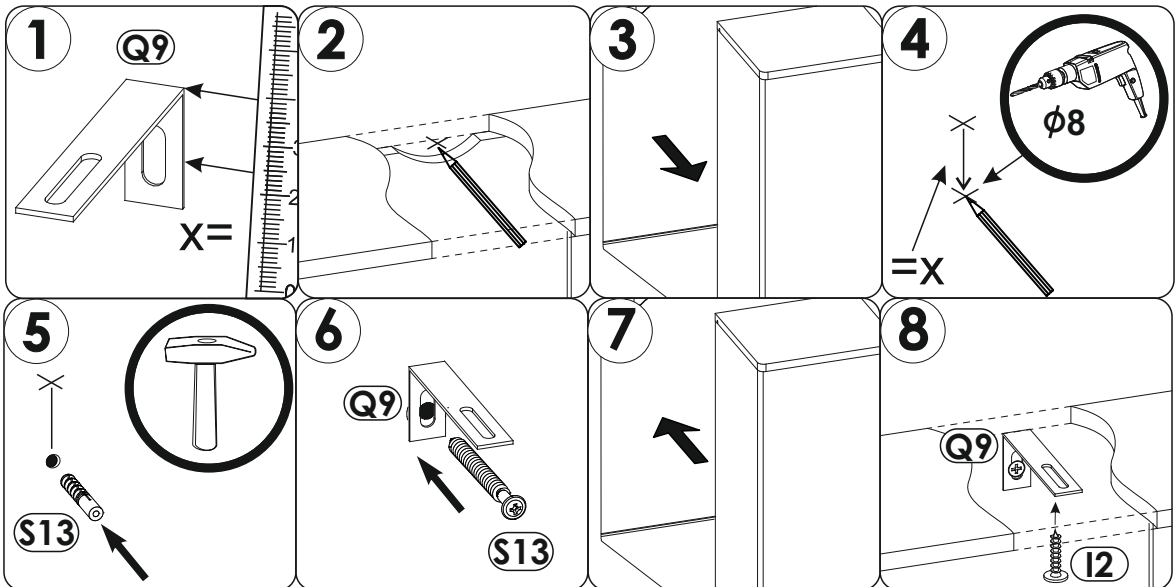
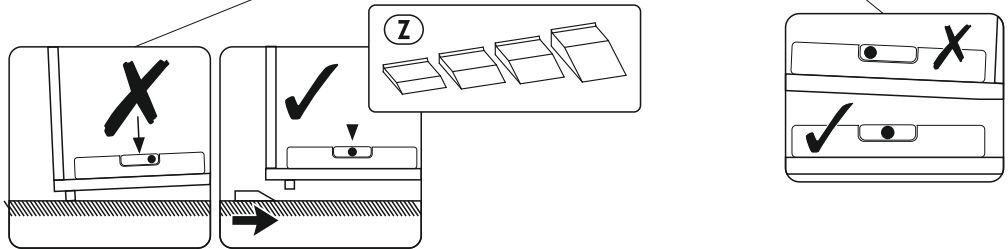
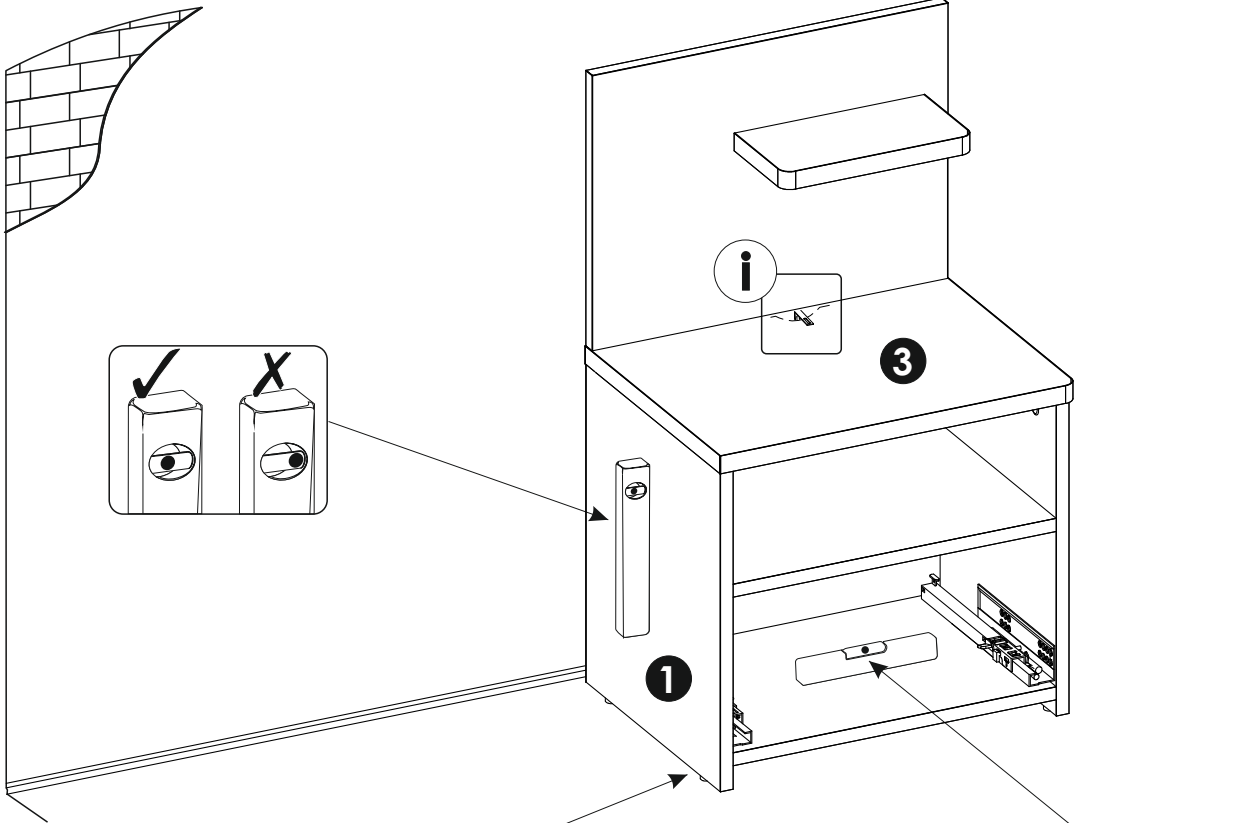
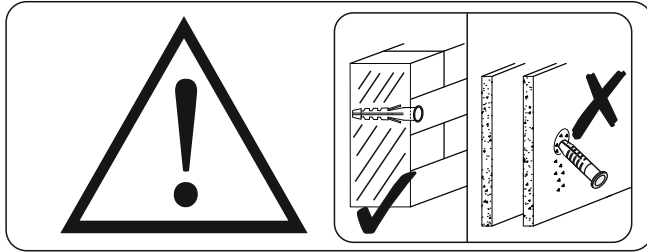
11 ▶



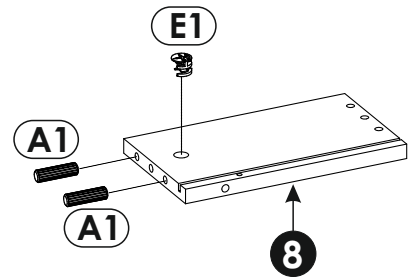
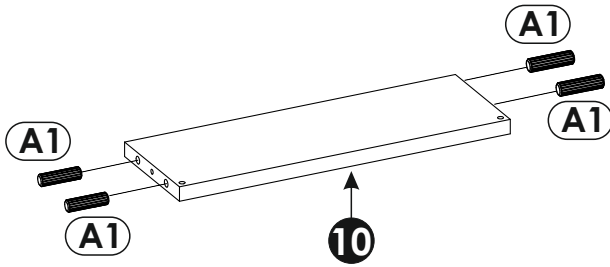
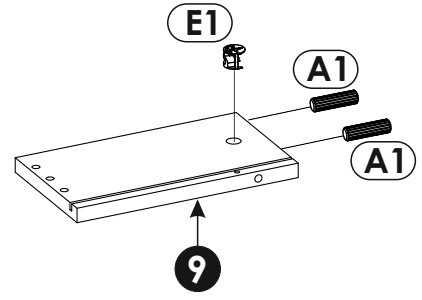
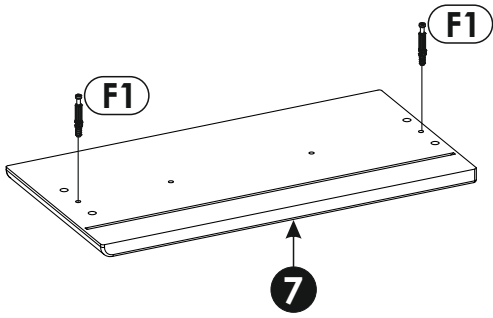
12 ▶



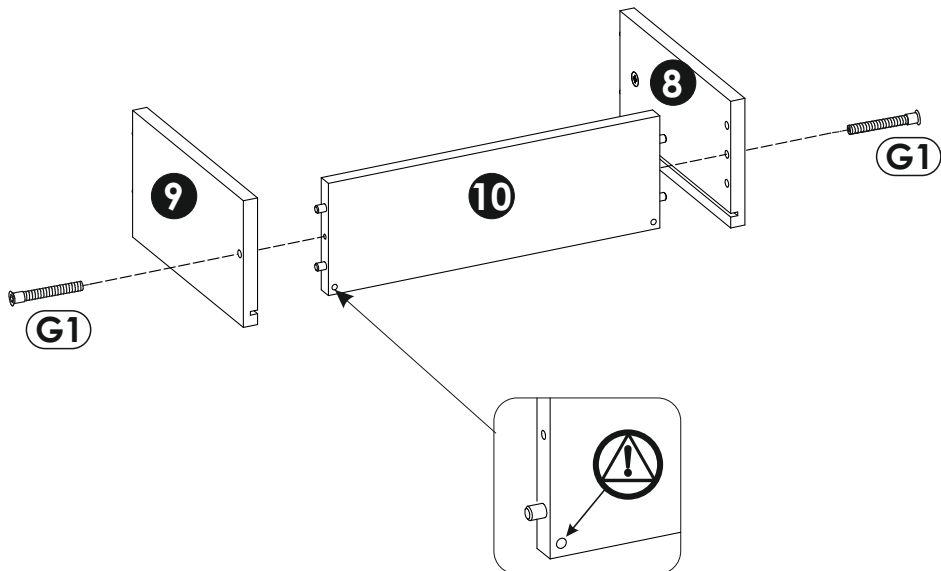
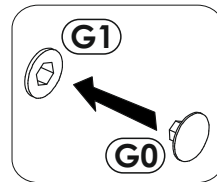
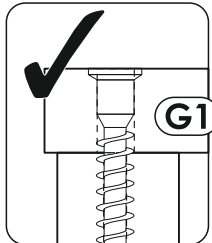
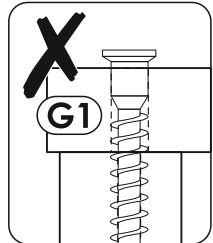
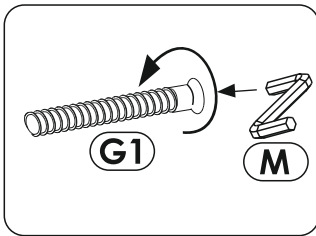
13 ▶



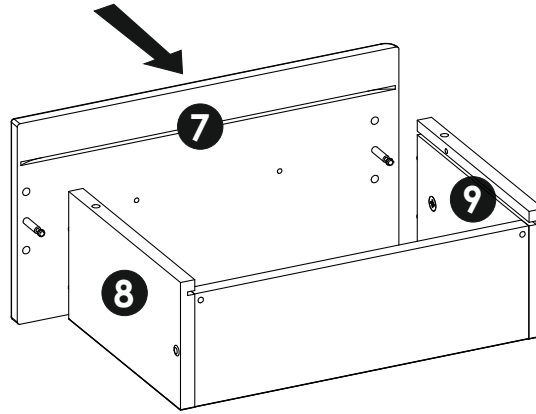
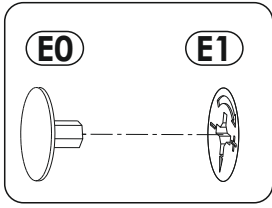
14 ▶



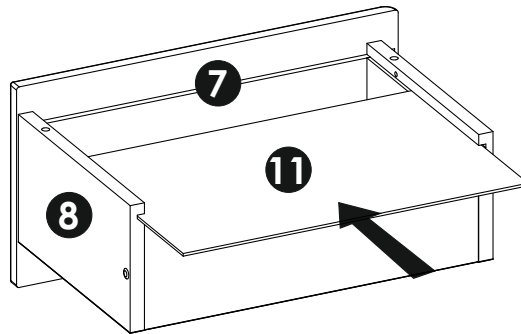
15 ▶



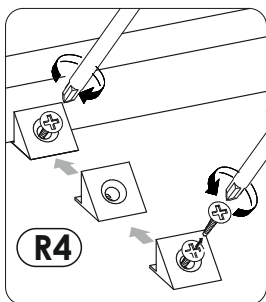
16 ▶



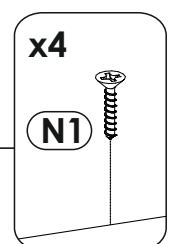
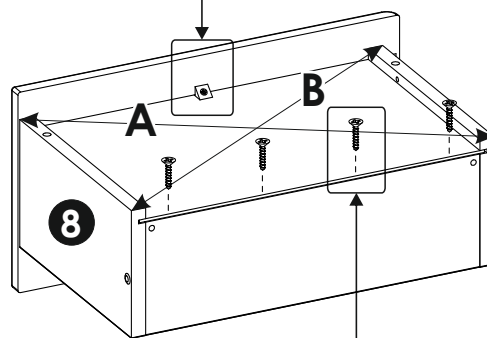
17 ▶



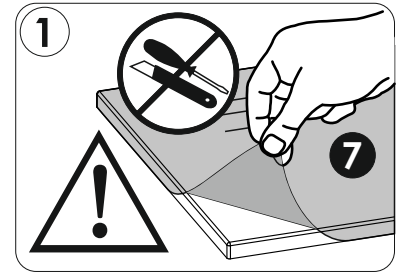
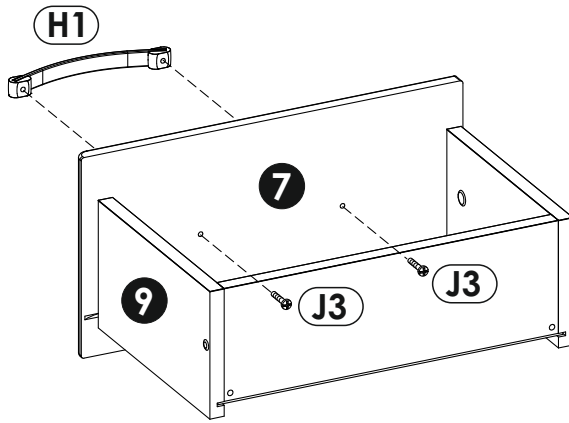
18 ▶



A=B



19 ▶



20 ▶

