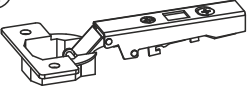
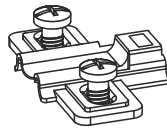
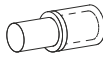


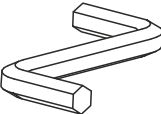
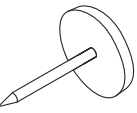
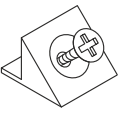
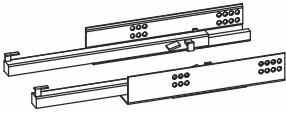
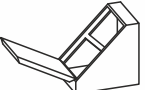
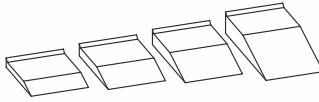
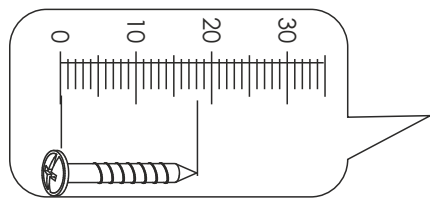
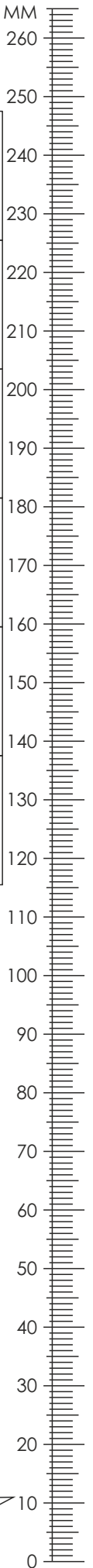
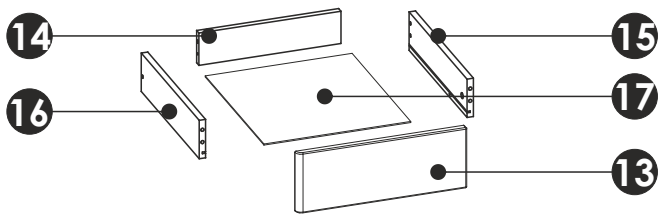
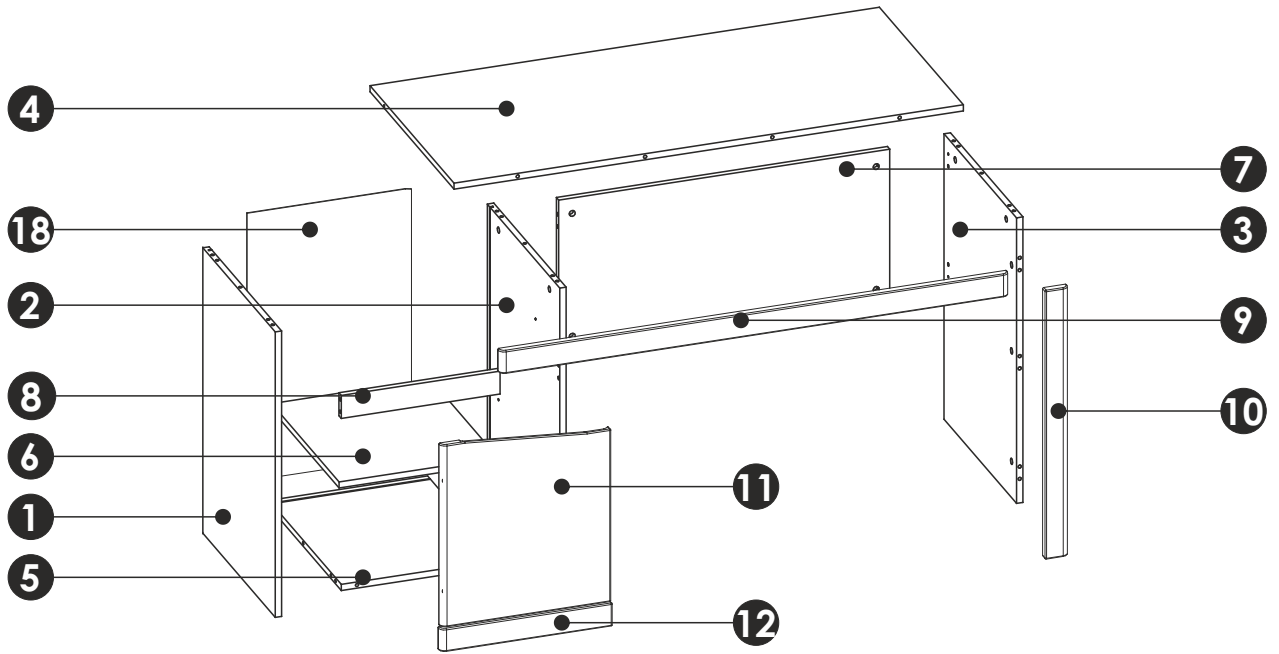
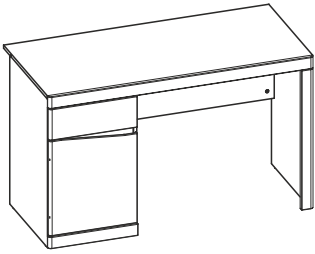


A1	8 x 35 mm	x34	BC11		x2	BC12		x2
C1	4 x 13 mm	x4	C2	5 x 13 mm	x4	D2		x4
E1	15 x 12 mm	x23	E0		x23	F1	6 x 34 mm	x21
F3	7 x 58 mm	x1	G0		x2	G1	7 x 50 mm	x2
M		x1	N1	3 X 16 mm	x10	N2	3,5 X 16 mm	x12
O2		x6	R4		x7	T14	x1 L-410	
W		x6	Z		x1			

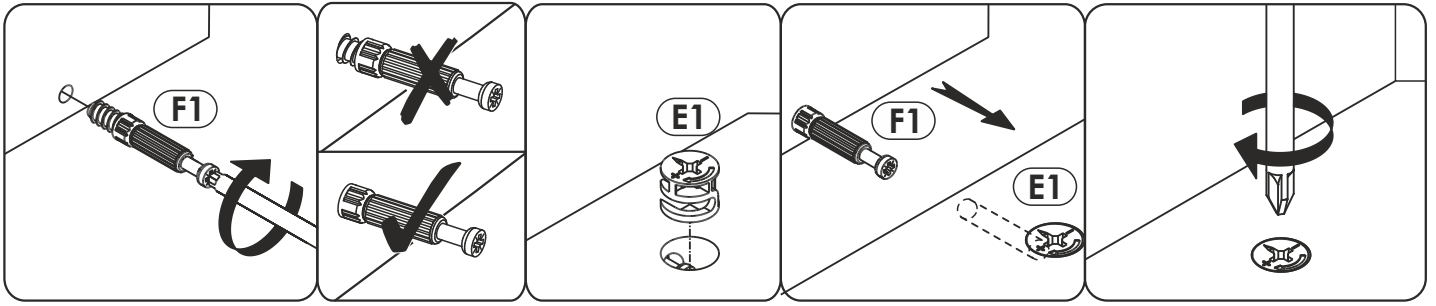




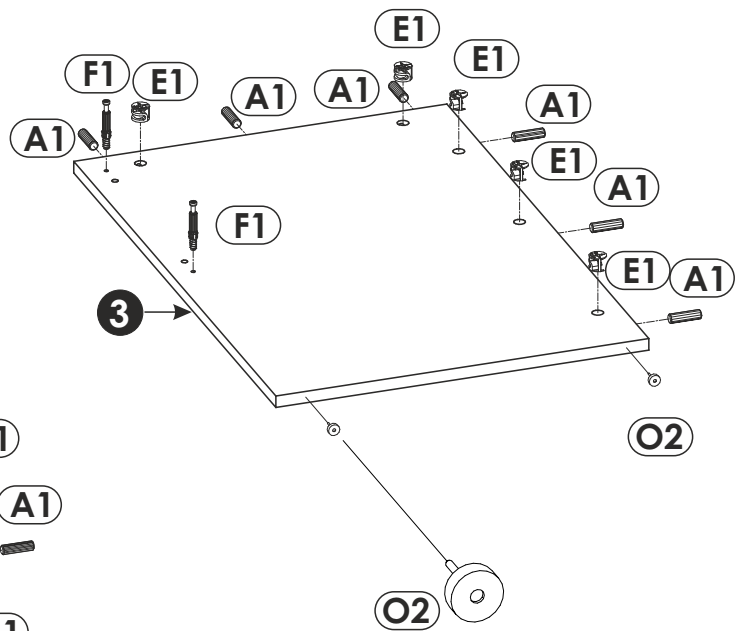
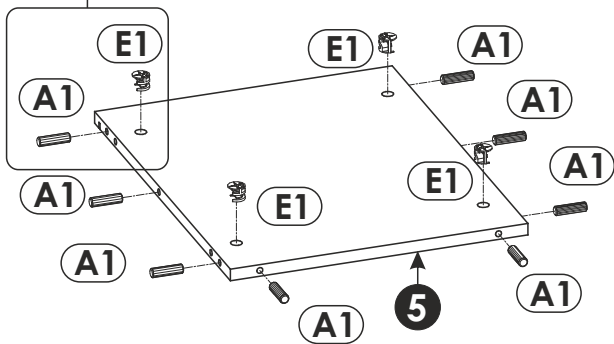
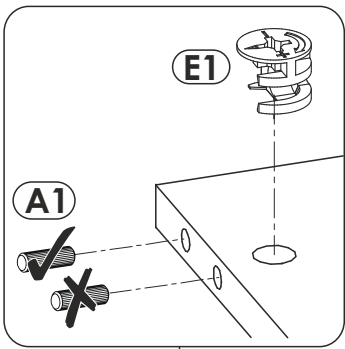
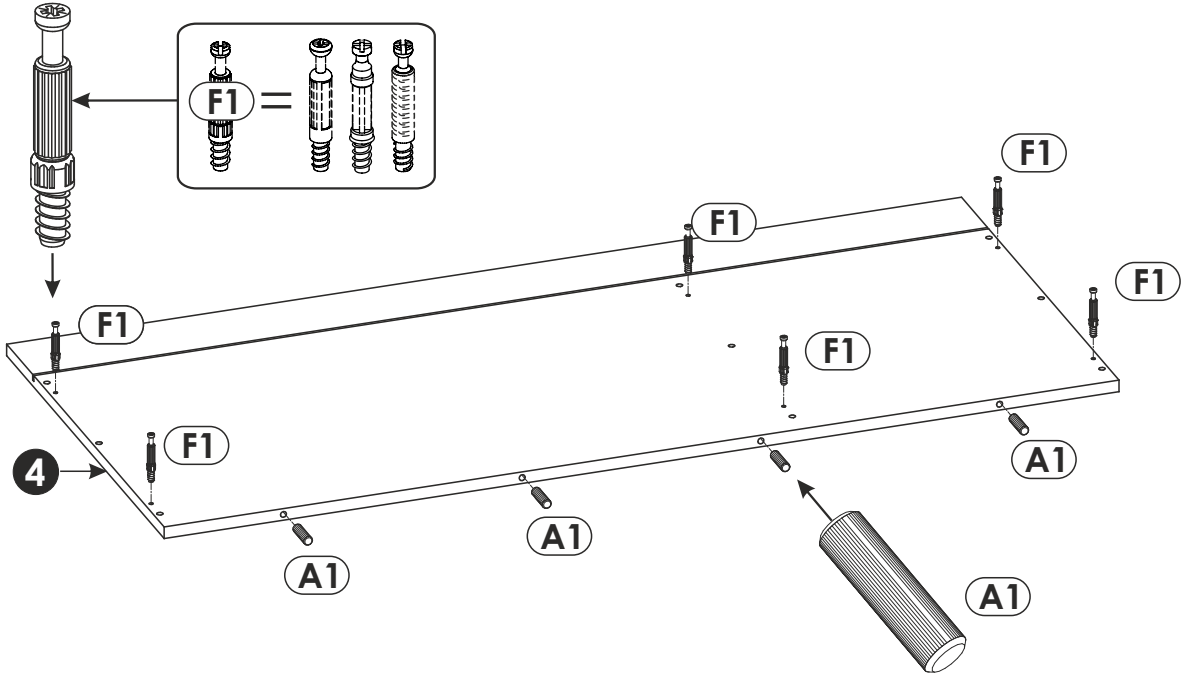
1	744	500	16 x1	1/2
2	744	500	16 x1	2/2
3	744	500	16 x1	1/2
4	1280	580	16 x1	2/2
5	399	500	16 x1	1/2
6	399	466	16 x1	1/2

7	832	400	16 x1	2/2
8	399	60	16 x1	1/2
9	1280	60	19 x1	2/2
10	700	60	19 x1	2/2
11	427	475	16 x1	1/2
12	432	60	19 x1	2/2

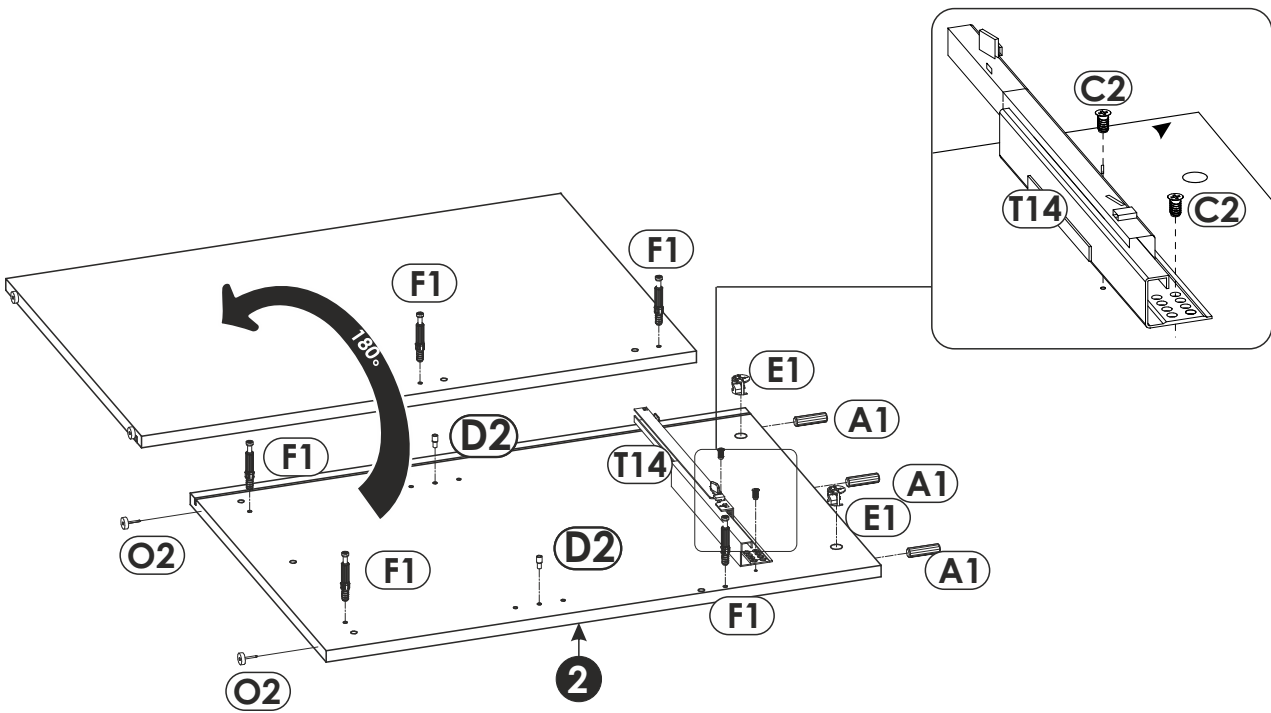
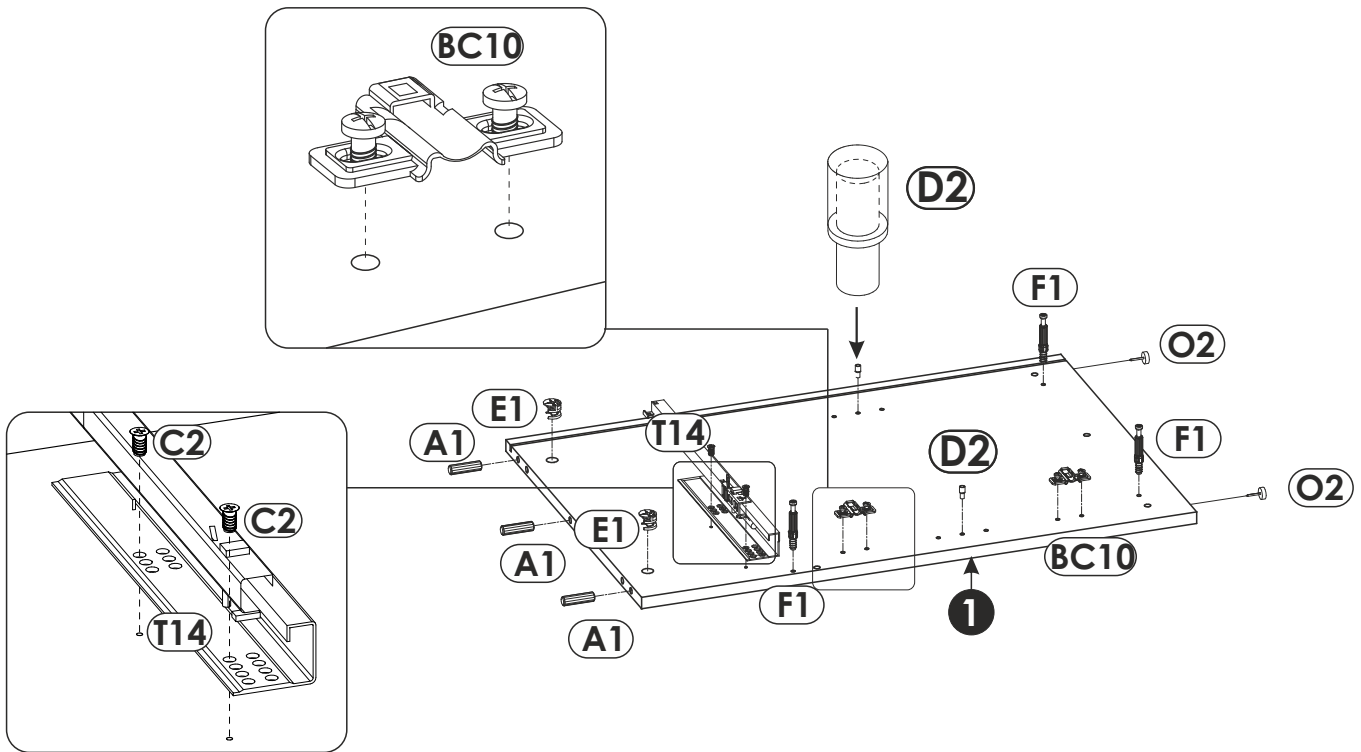
13	427	157	16 x1	1/2
14	357	84	16 x1	1/2
15	400	100	16 x1	1/2
16	400	100	16 x1	1/2
17	369	405	3 x1	2/2
18	699	413	3 x1	2/2



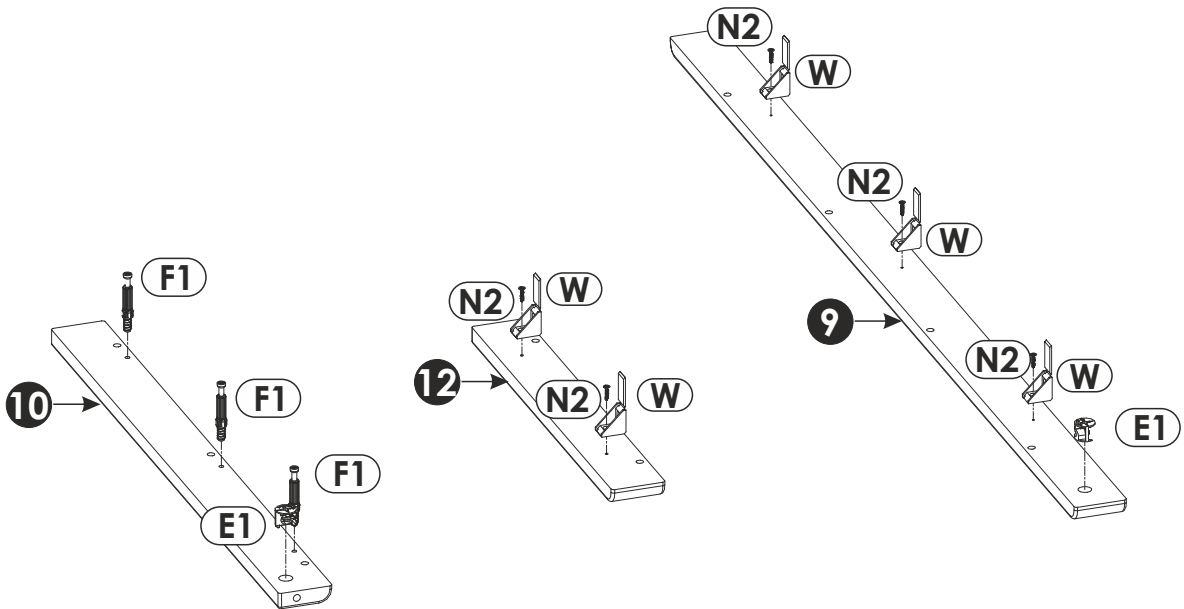
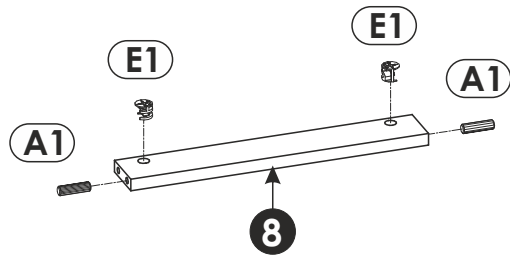
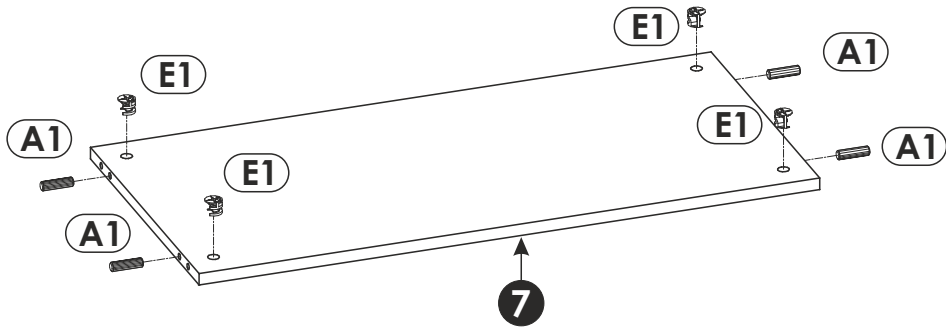
1 ▶



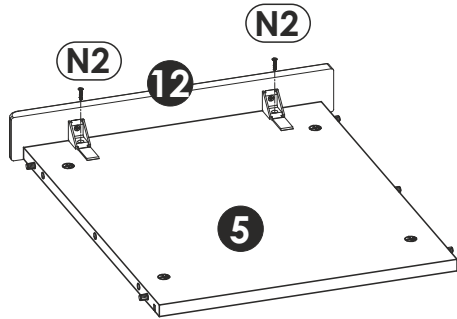
2 ▶



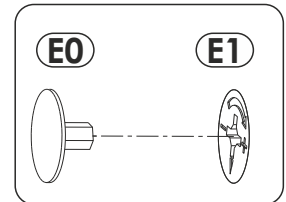
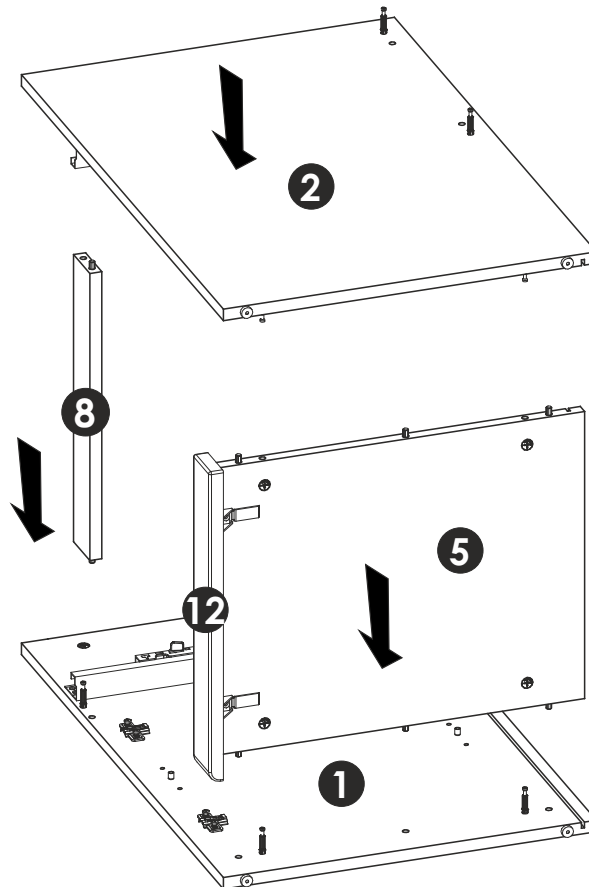
3 ▶



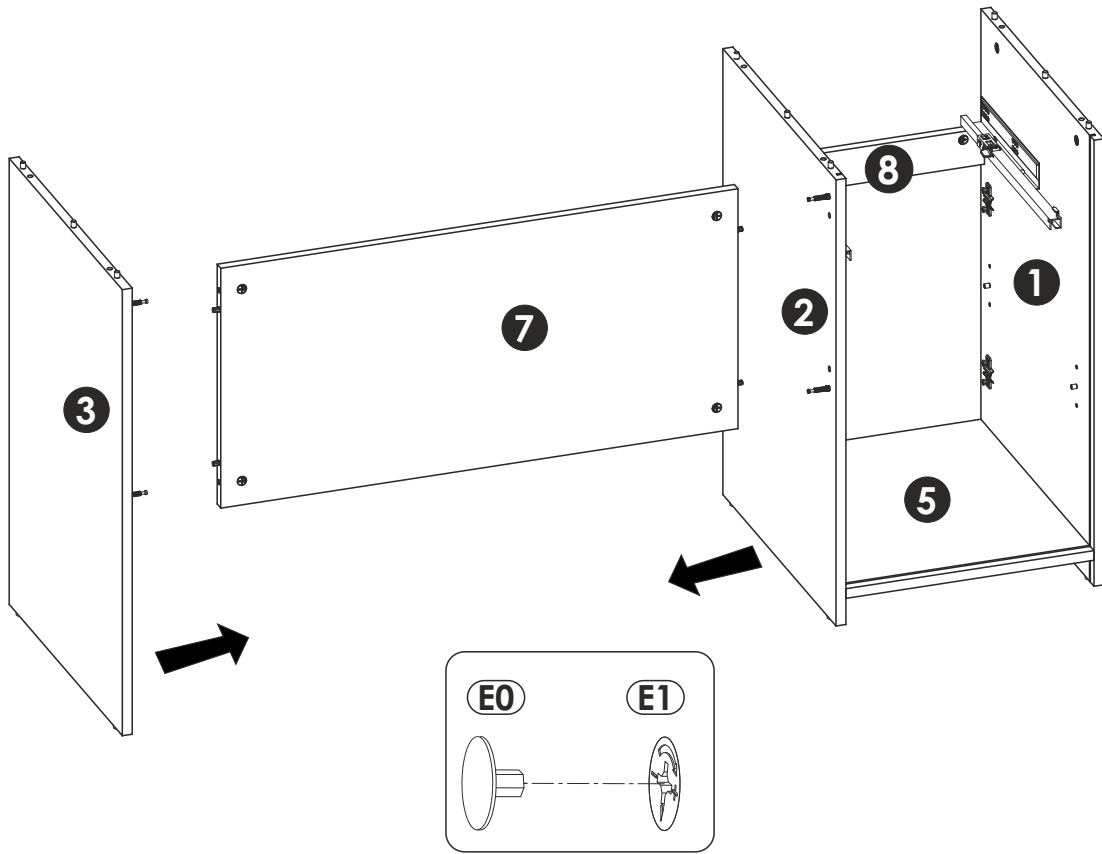
4 ▶



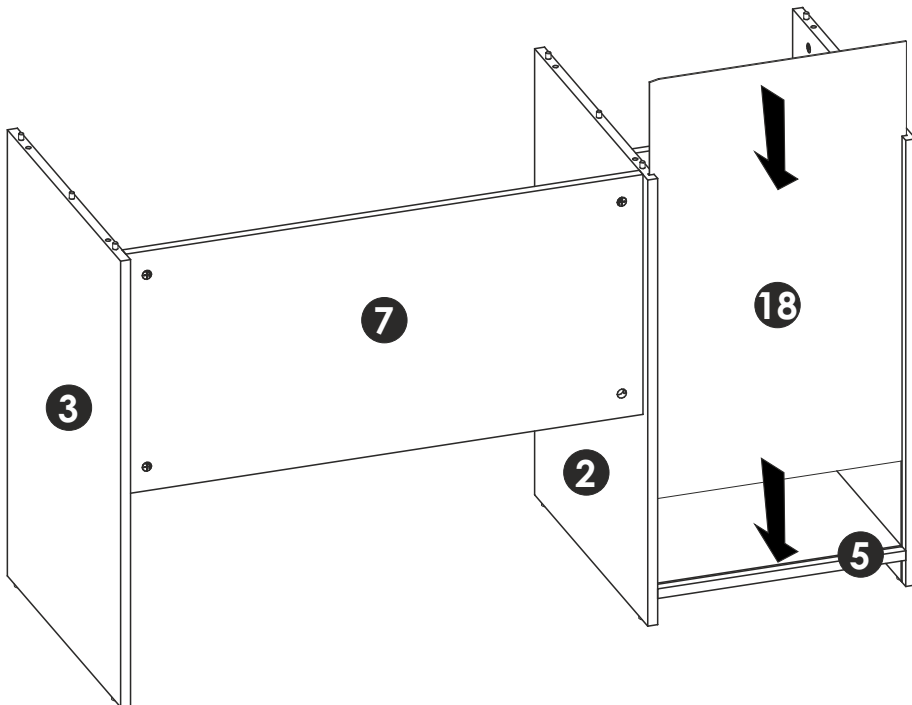
5 ▶



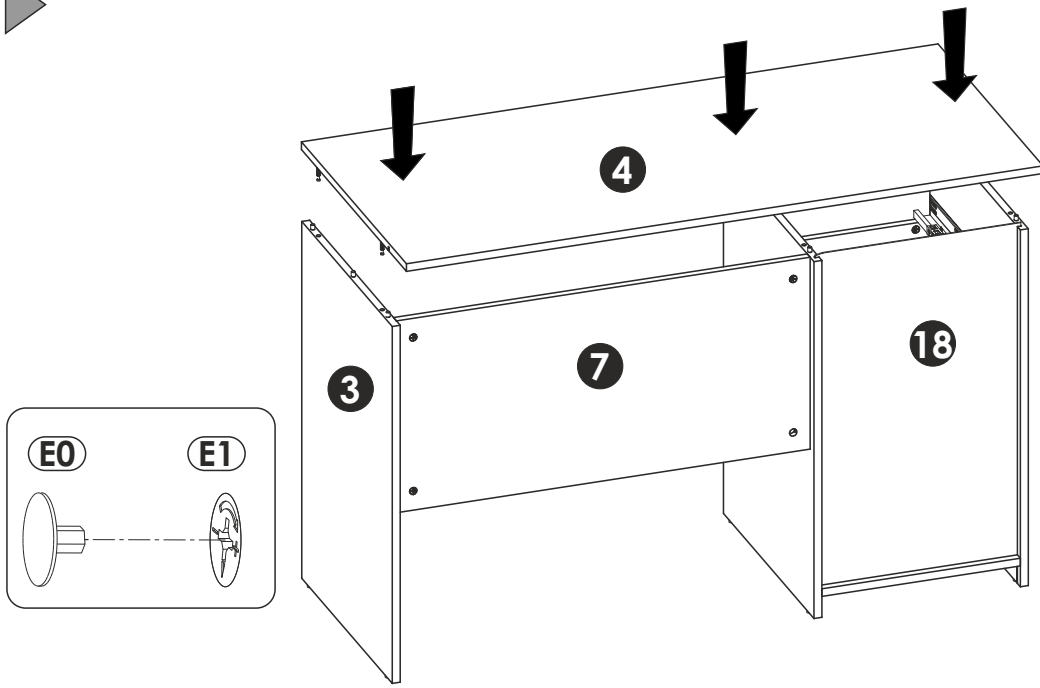
6 ▶



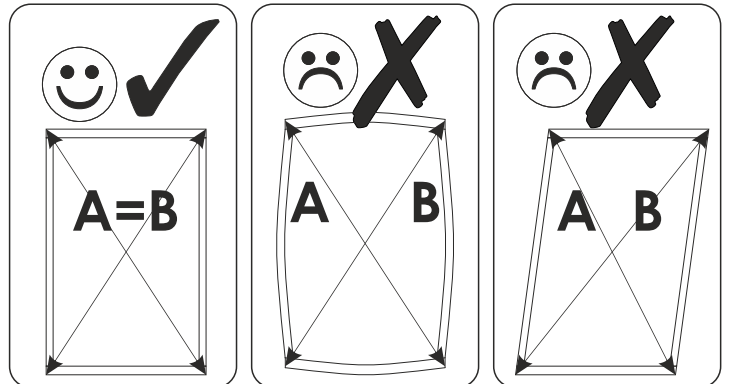
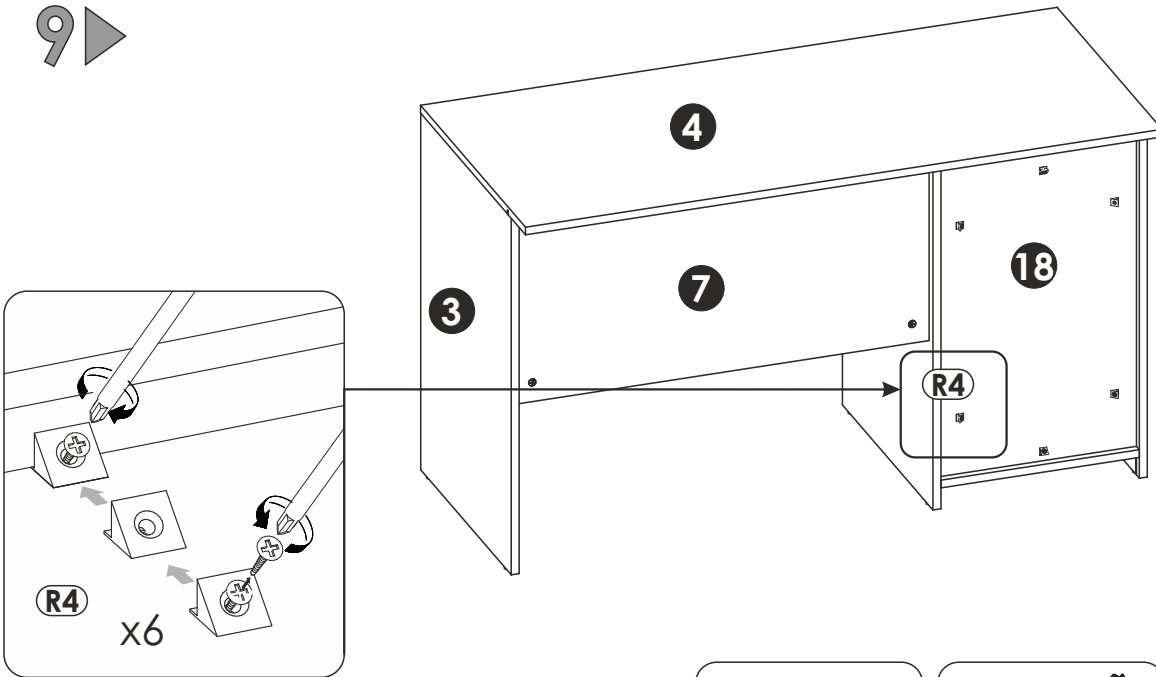
7 ▶



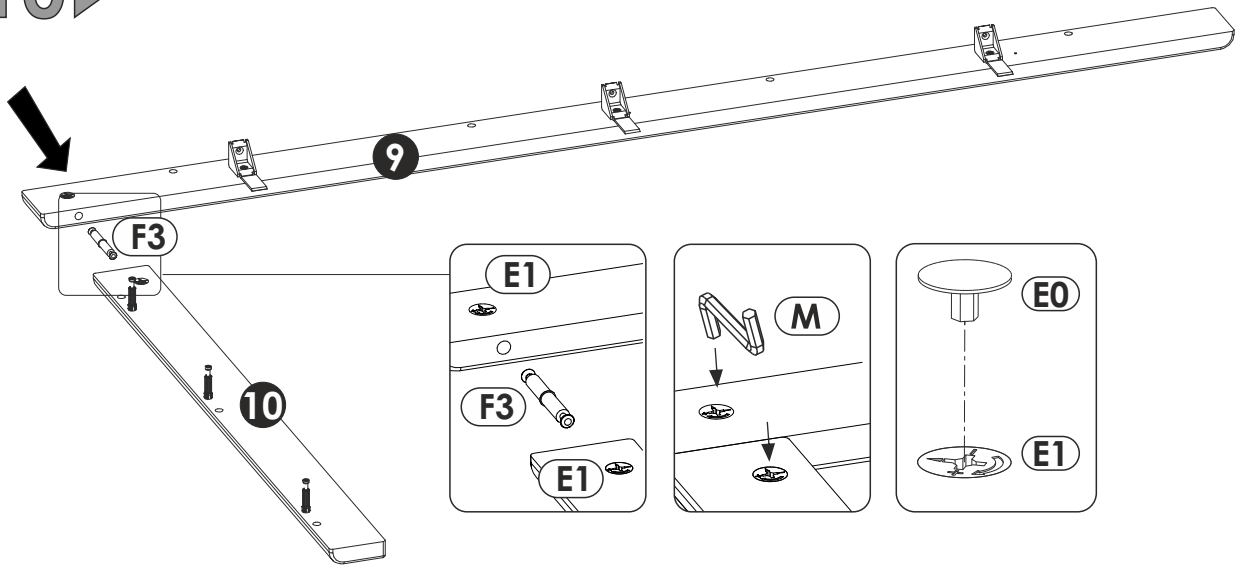
8 ▶



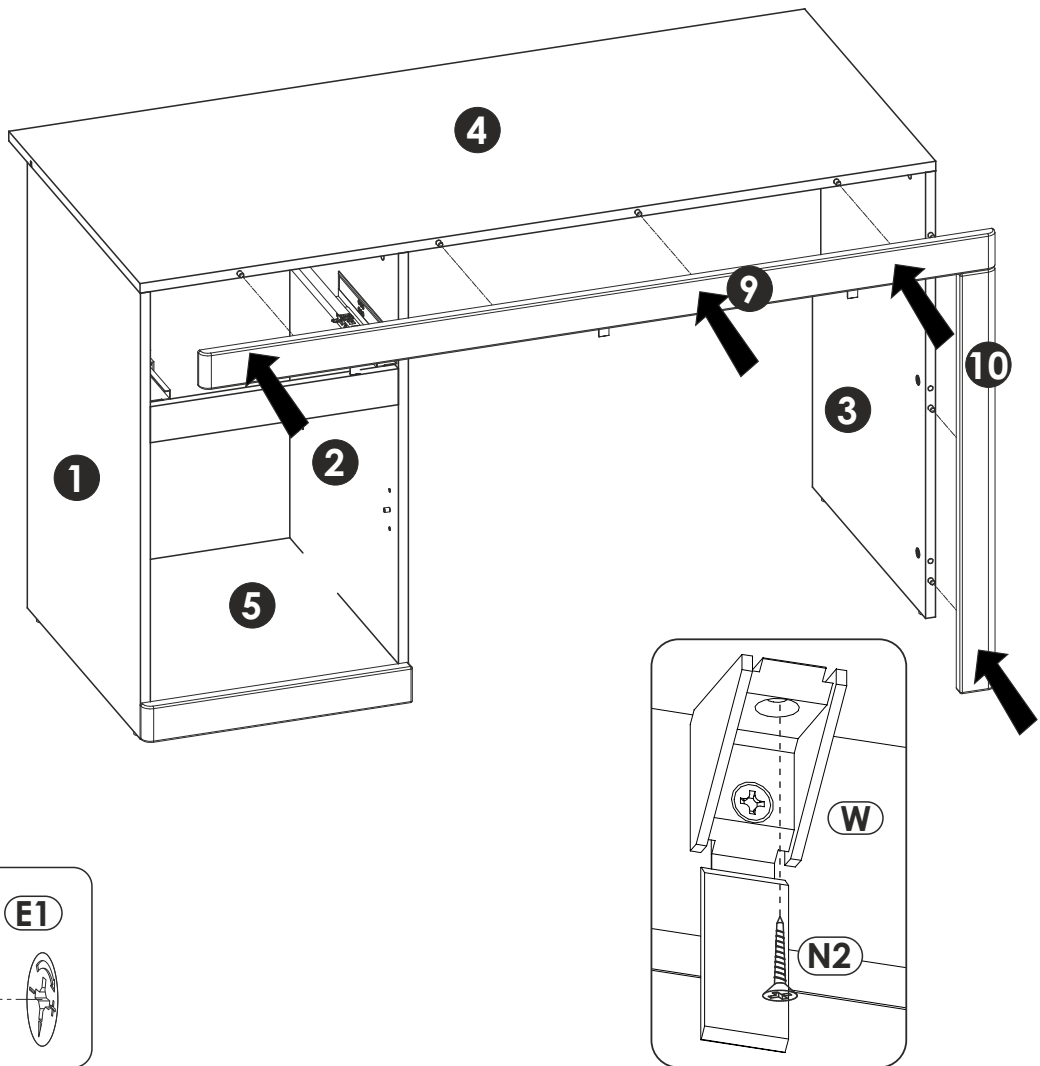
9 ▶



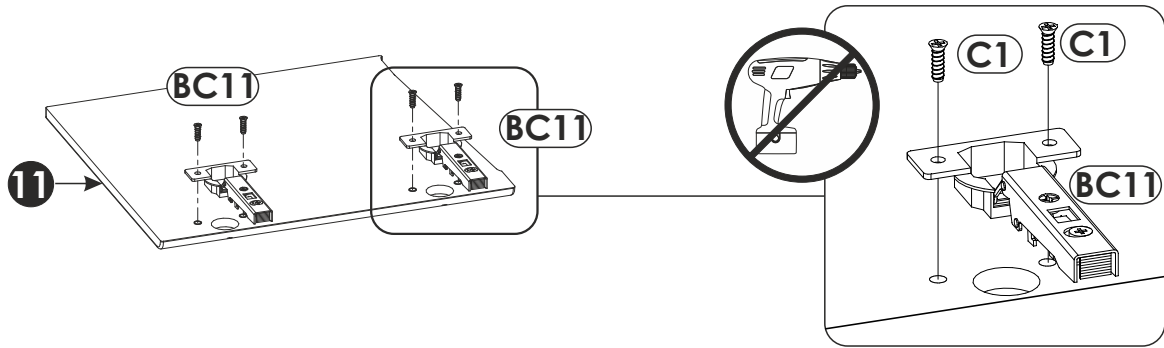
10 ▶



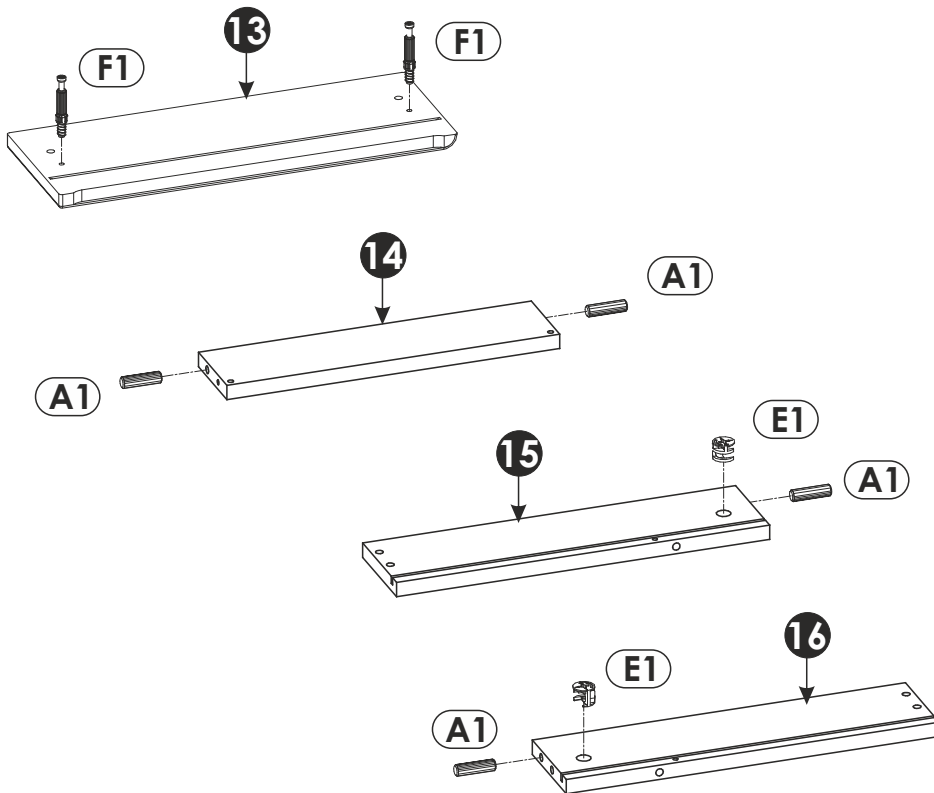
11 ▶



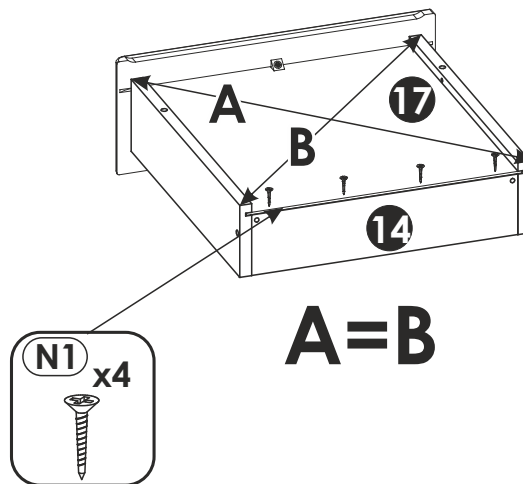
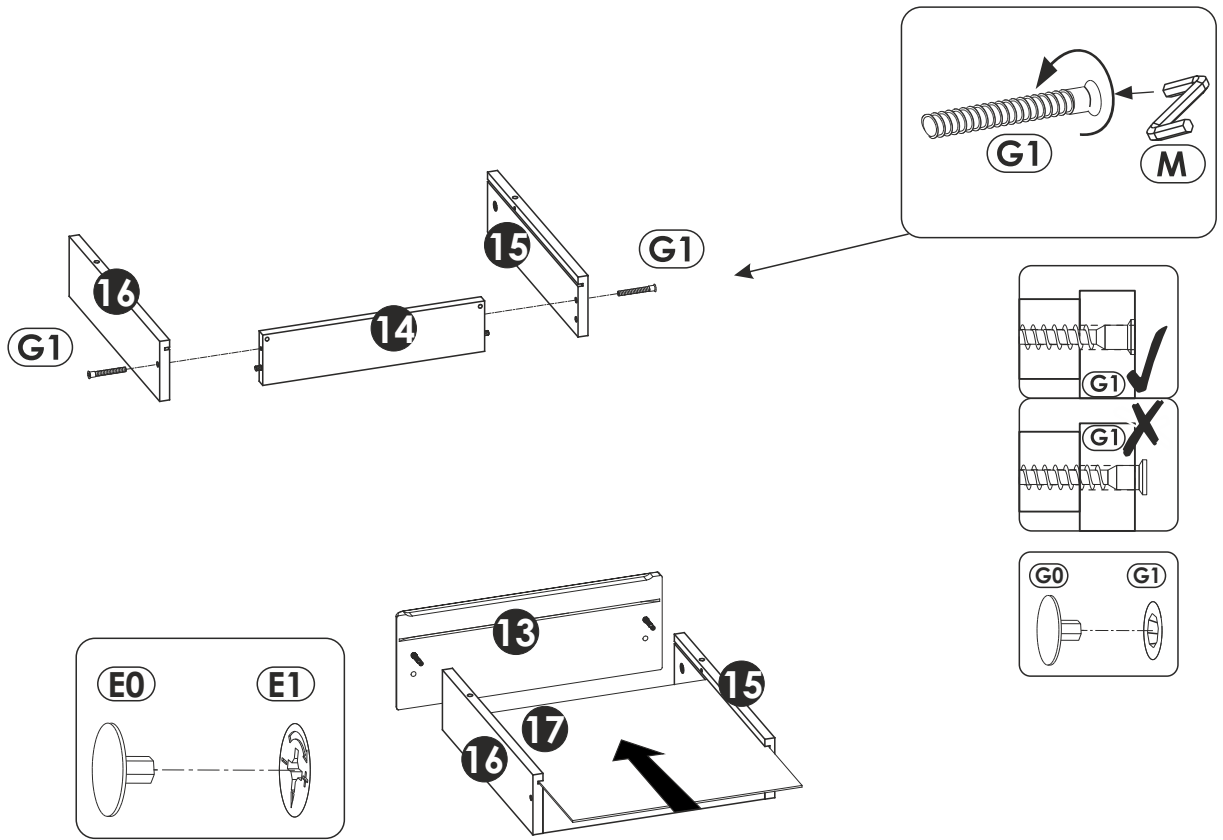
12▶



13▶



13▶



14 ▶

