

MM

260

250

240

230

220

210

200

190

180

170

160

150

140

130

120

110

100

90

80

70

60

50


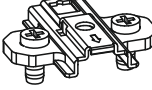
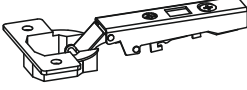


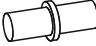






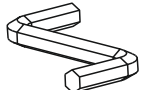


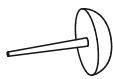

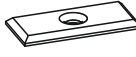
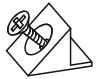
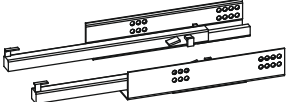
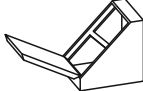
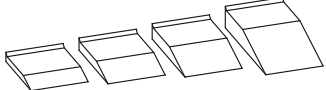
40

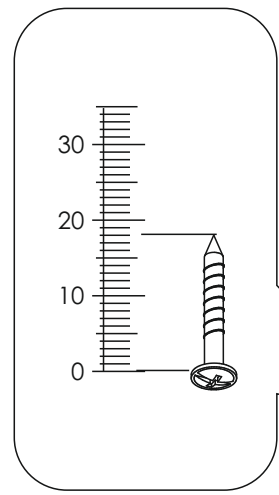
30

20

10

0

<p><b>A1</b> x 66 <math>\varnothing</math>8 x 35 mm</p> 	<p><b>BC0</b> x 4</p> 	<p><b>BC1</b> x 4</p> 
<p><b>C1</b> x 8 EURO 4 x 13 mm</p> 	<p><b>C2</b> x 24 EURO 5 x 13 mm</p> 	<p><b>D2</b> x 8</p> 
<p><b>E0</b> x 32</p> 	<p><b>E1</b> x 32 <math>\varnothing</math>15 x 12 mm</p> 	<p><b>F1</b> x 32</p> 
<p><b>G0</b> x 20</p> 	<p><b>G1</b> x 20 <math>\varnothing</math>7 x 50 mm</p> 	<p><b>I2</b> x 2.4 x 16 mm</p> 
<p><b>M</b> x 1</p> 	<p><b>N1</b> x 80 3 x 16 mm</p> 	<p><b>N2</b> x 12 3.5 x 16 mm</p> 
<p><b>O2</b> x 8</p> 	<p><b>Q9</b> x 2</p> 	<p><b>R1</b> x 10</p> 
<p><b>R4</b> x 6</p> 	<p><b>T10</b> x 6 L-360</p> 	<p><b>W</b> x 6</p> 
<p><b>Z</b> x 1</p> 		



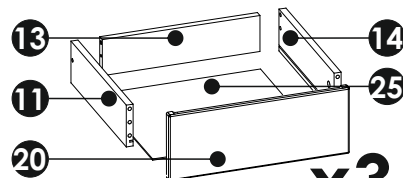
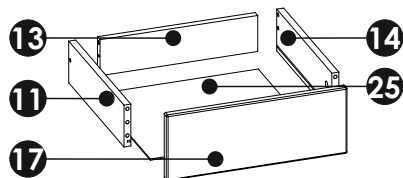
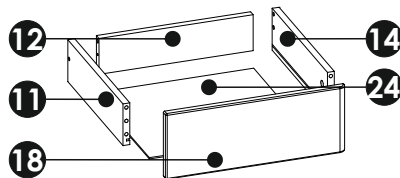
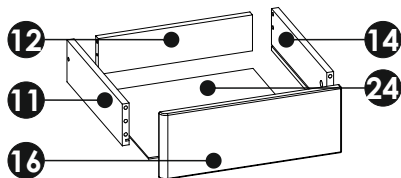
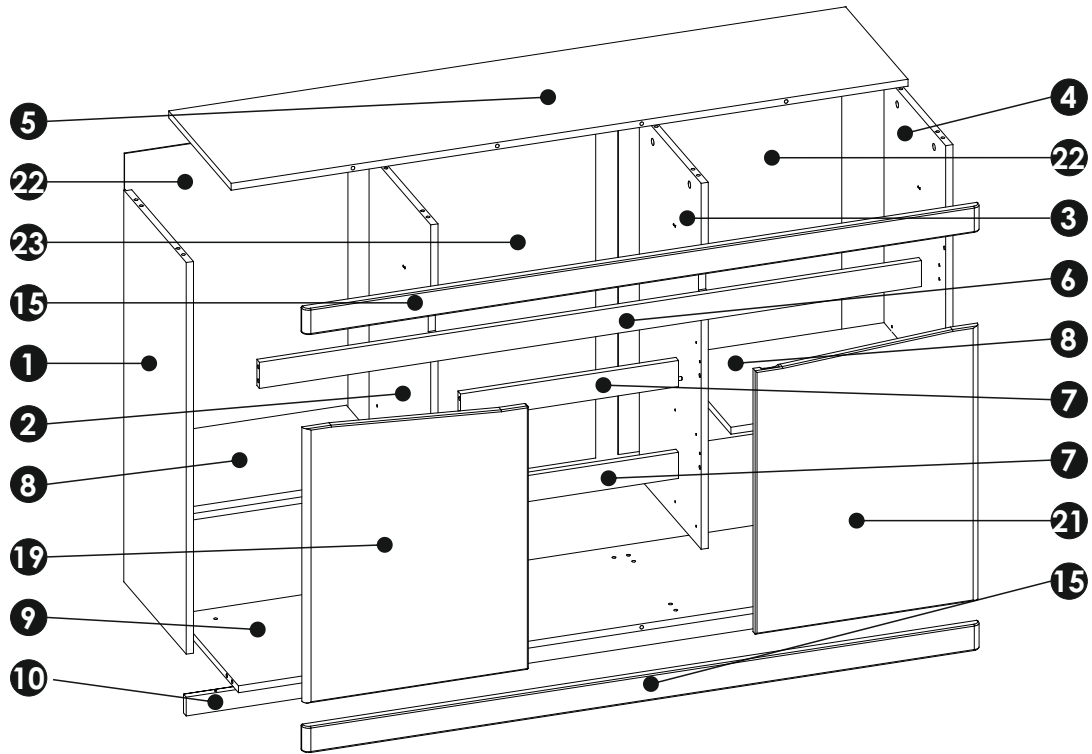




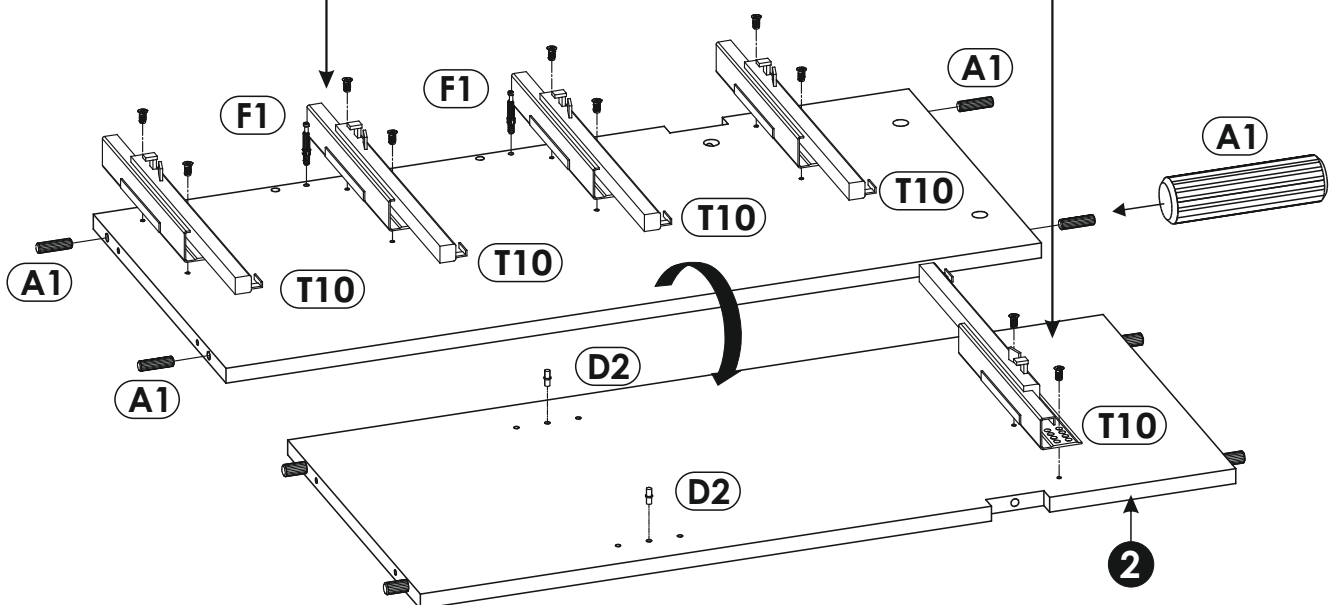
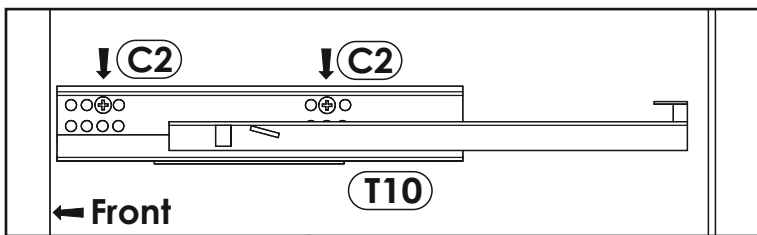
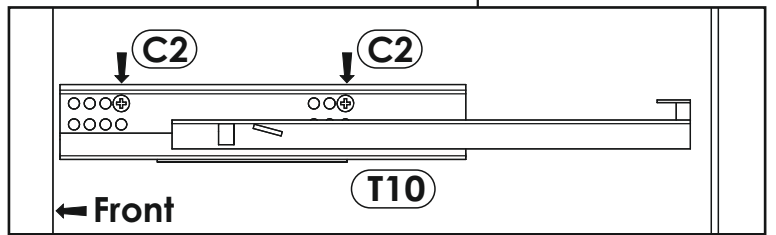
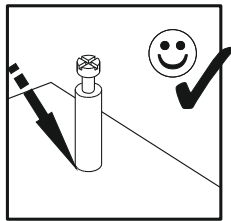
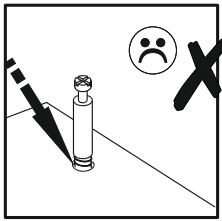
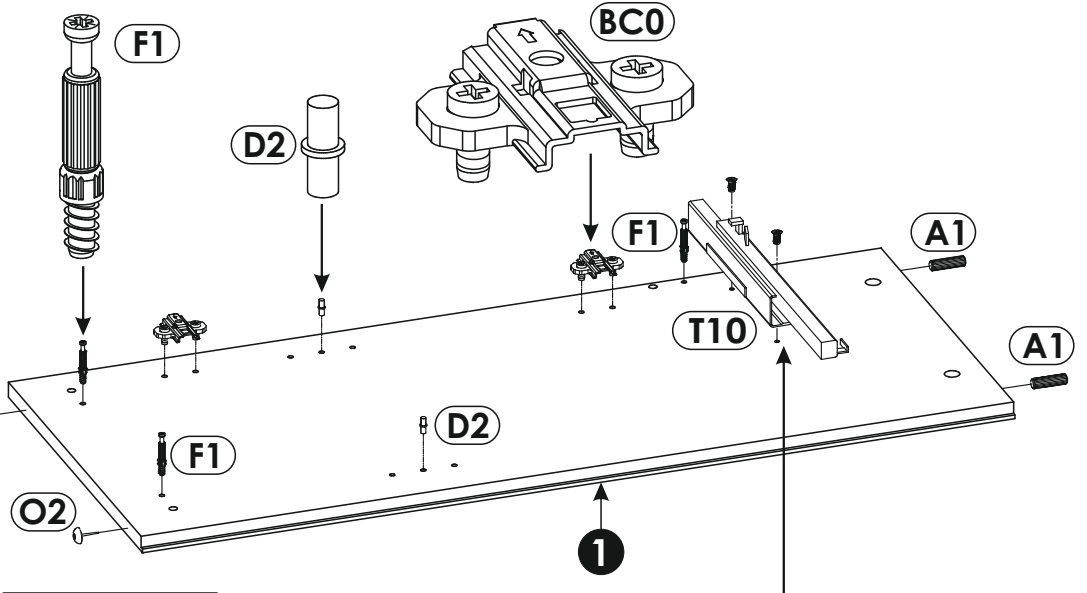
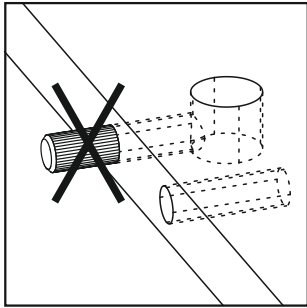
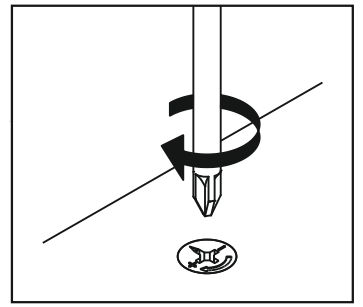
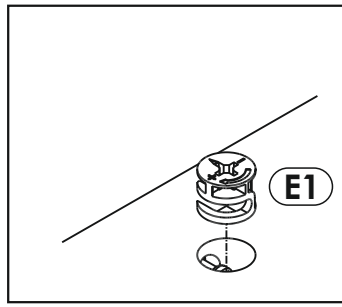
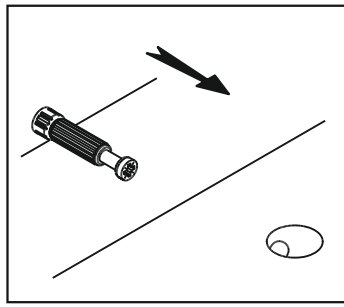
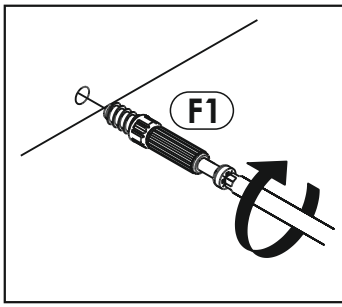
1	900	380	16	x1	1/2
2	841	376	16	x1	2/2
3	841	376	16	x1	2/2
4	900	380	16	x1	1/2
5	1500	380	16	x1	2/2

6	1467	60	16	x1	2/2
7	483	60	16	x2	2/2
8	476	360	16	x2	1/2
9	1467	376	16	x1	2/2
10	1467	43	16	x1	2/2
11	350	100	16	x6	1/2
12	436	86	16	x2	1/2
13	443	86	16	x4	2/2
14	350	100	16	x6	1/2
15	1500	60	19	x2	2/2

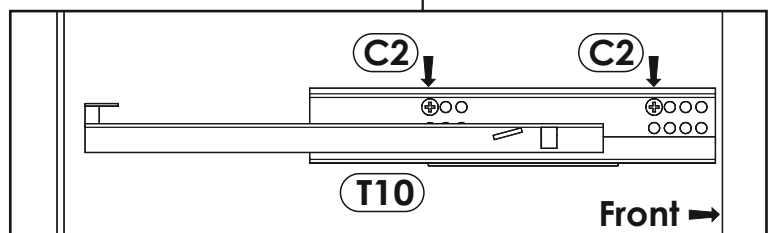
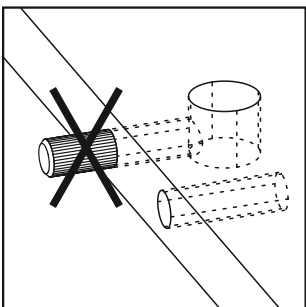
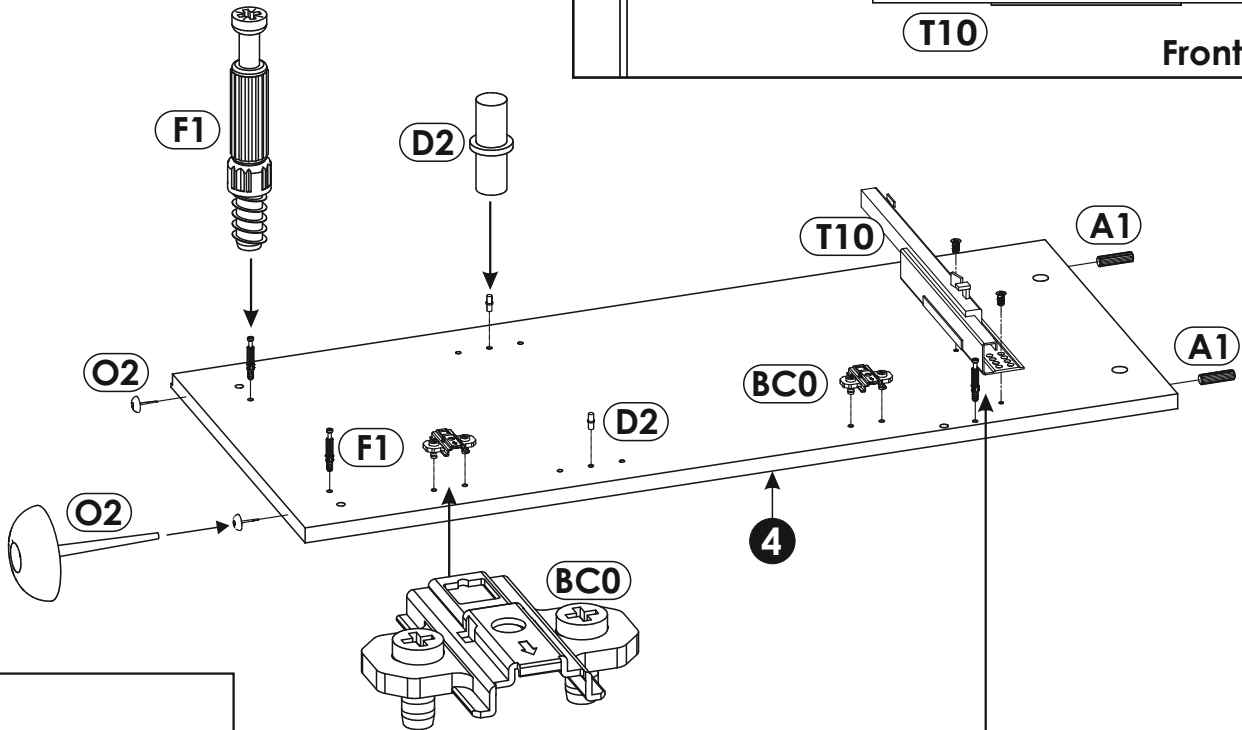
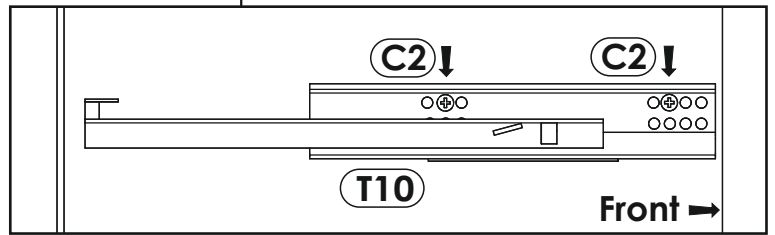
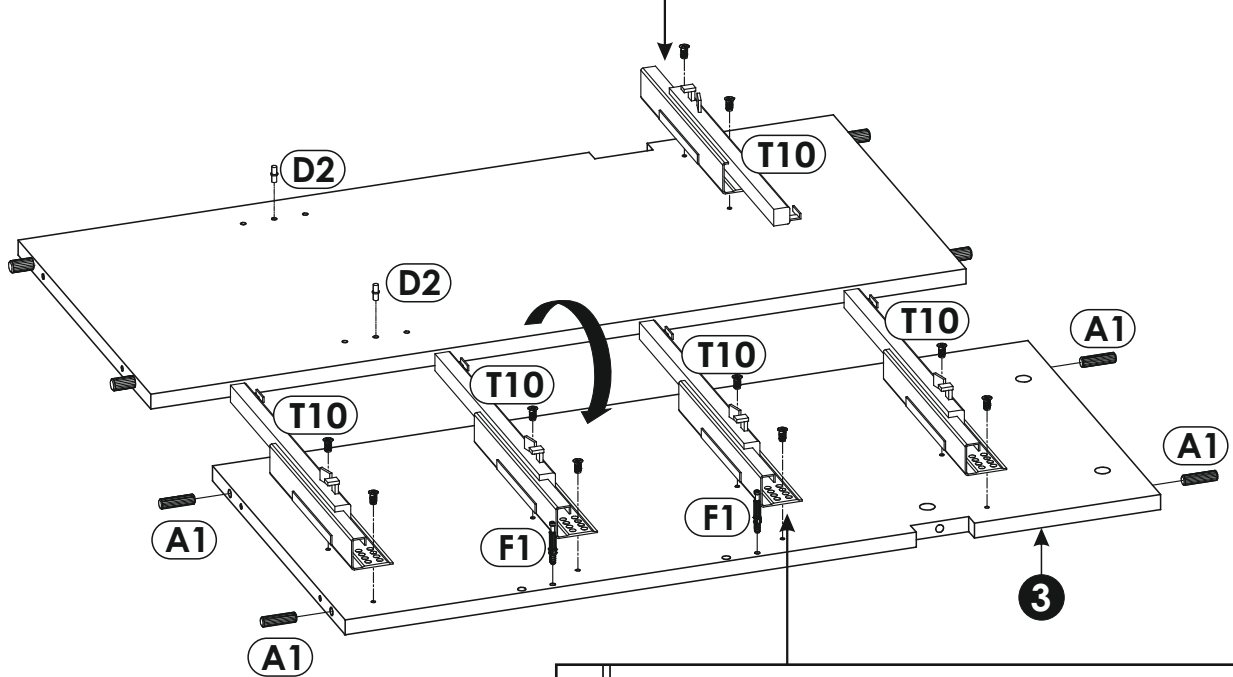
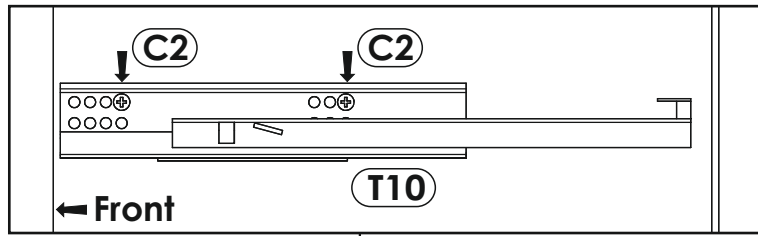
16	497	157	16	x1	2/2
17	497	157	16	x1	2/2
18	497	157	16	x1	2/2
19	479	630	16	x1	1/2
20	497	183	16	x3	1/2
21	497	630	16	x1	1/2
22	866	495	3	x2	1/2
23	866	499	3	x1	1/2
24	451	355	3	x2	2/2
25	458	355	3	x4	2/2



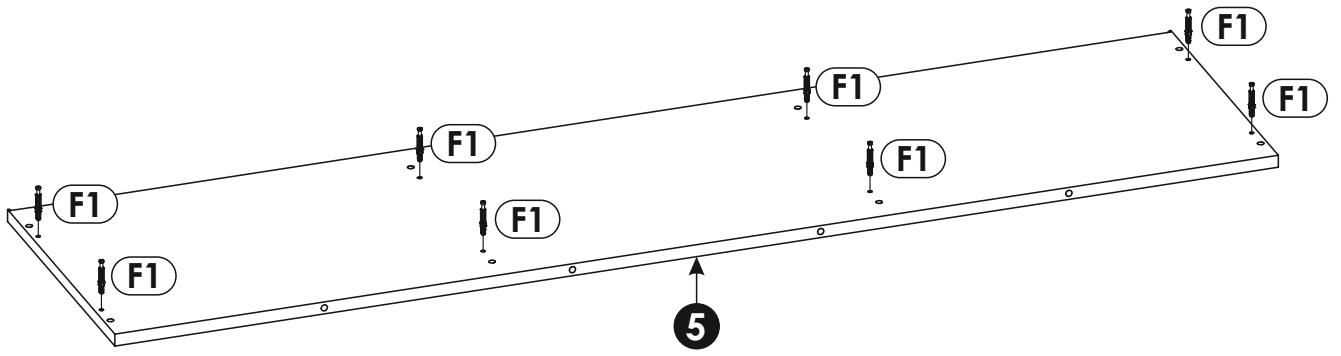
**x3**



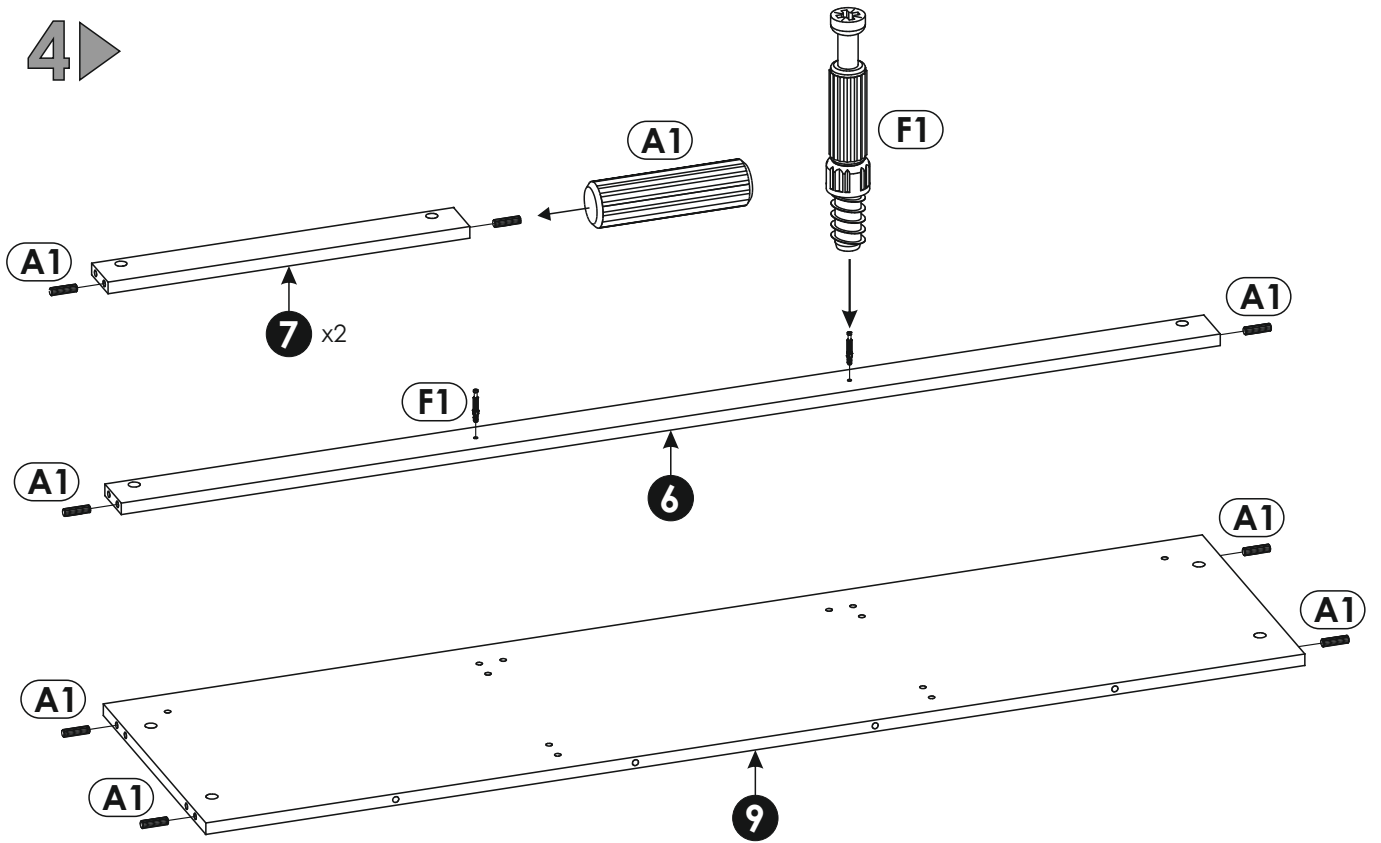
2 ▶



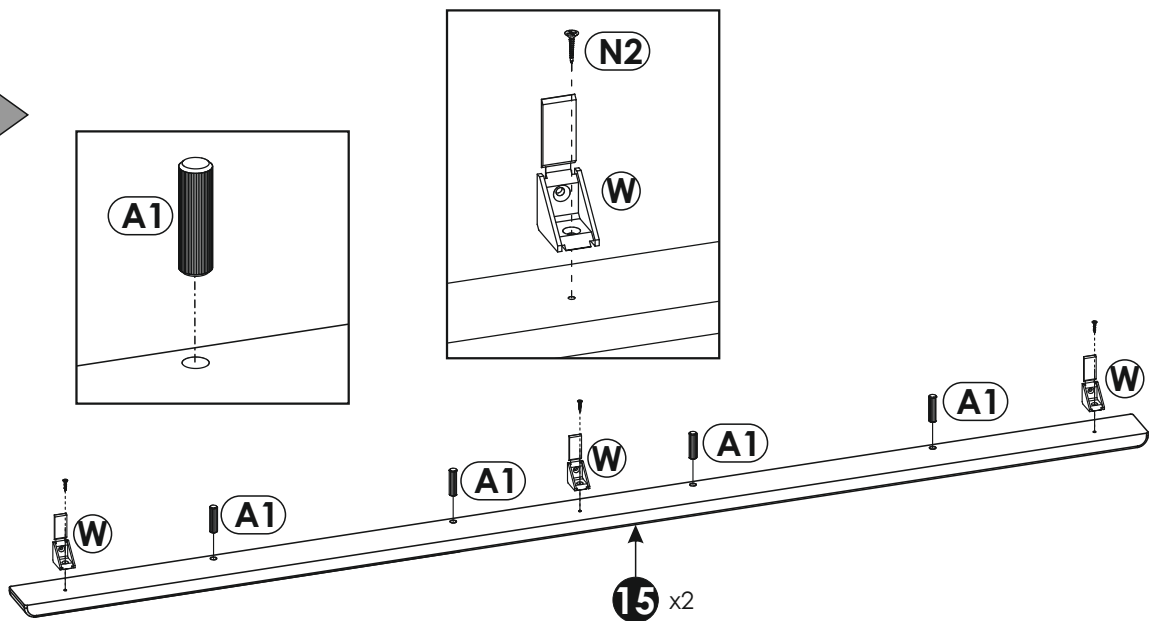
3 ▶



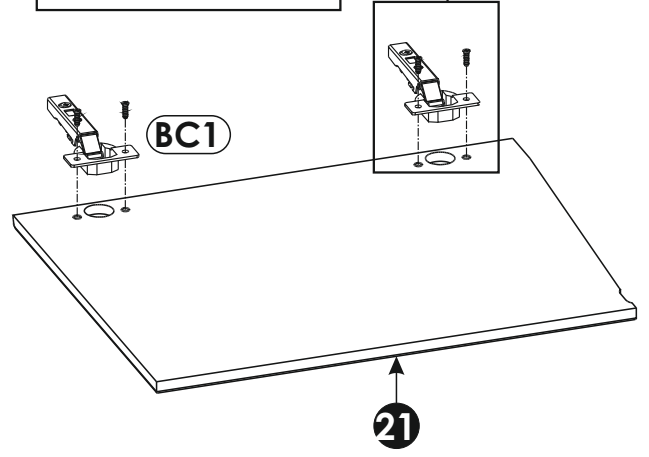
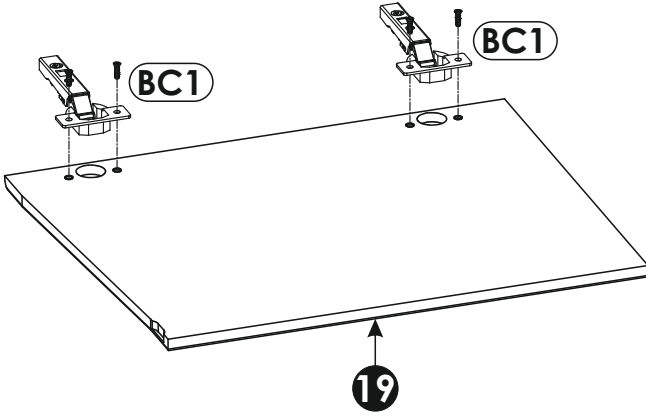
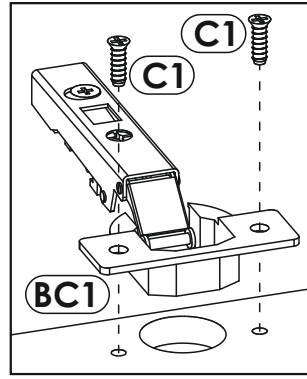
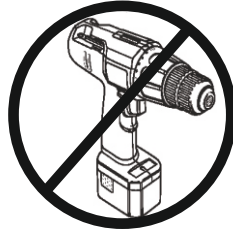
4 ▶



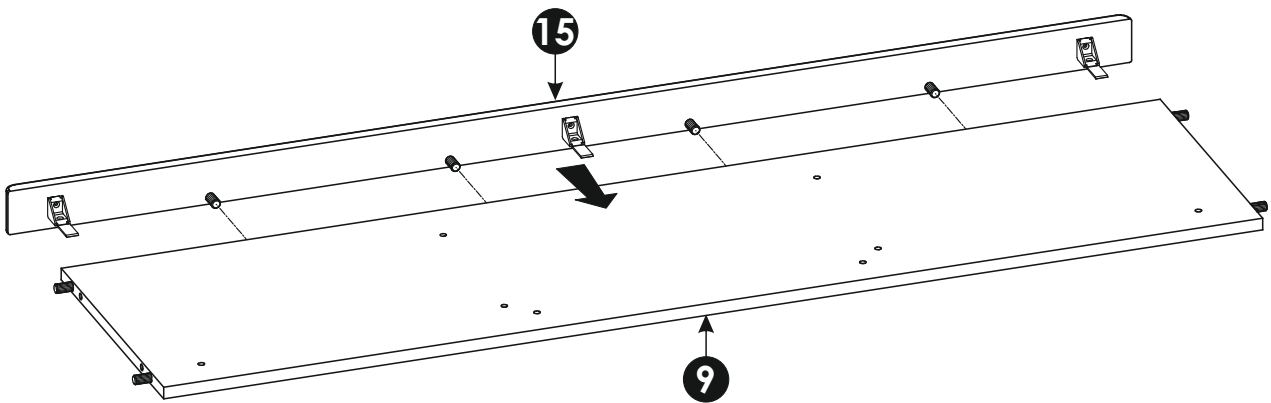
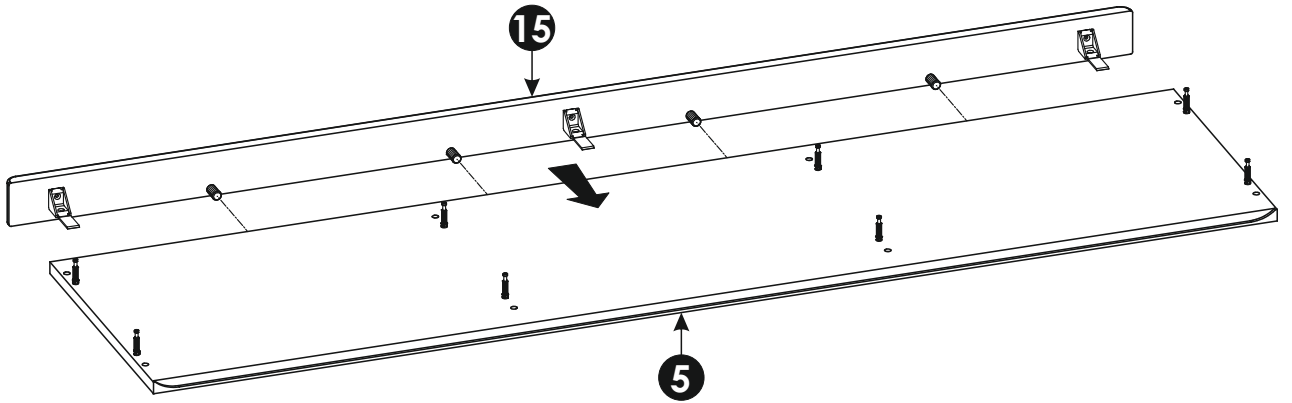
5 ▶



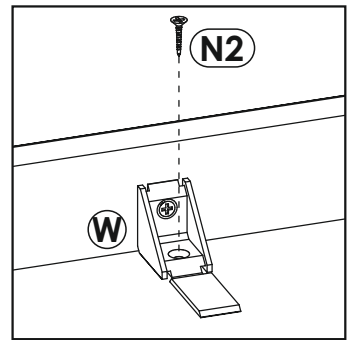
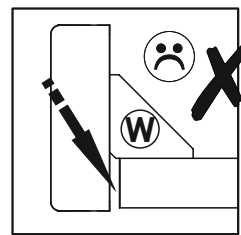
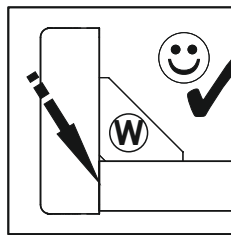
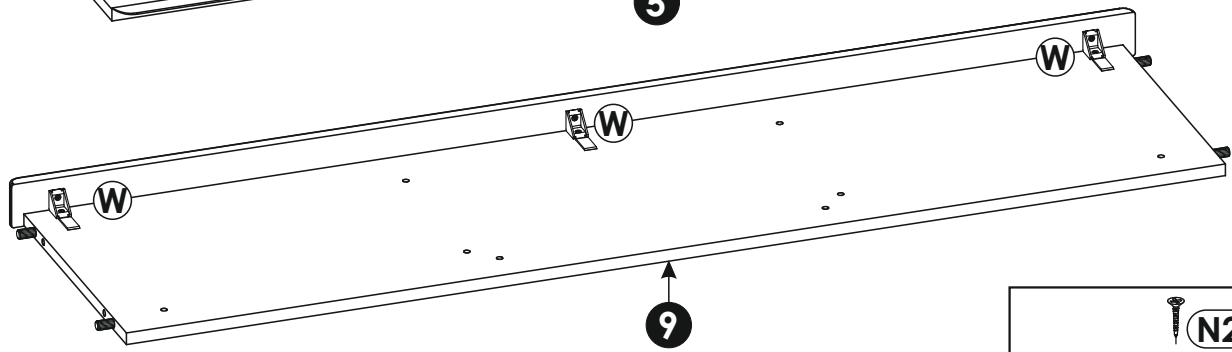
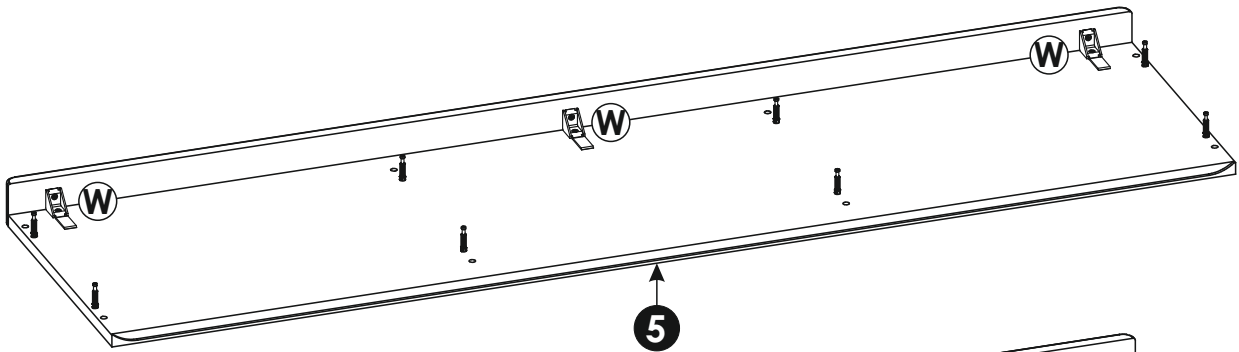
6 ▶



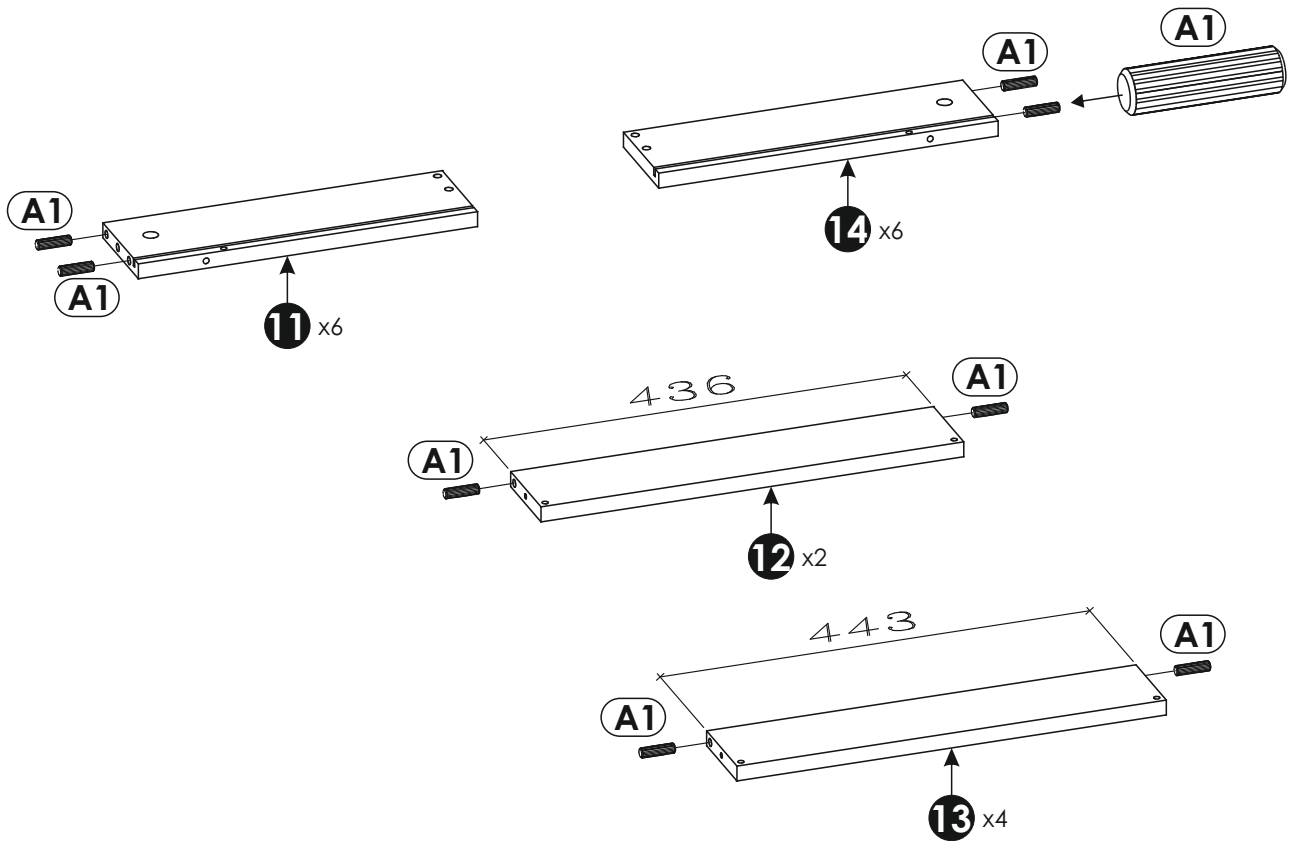
7 ▶



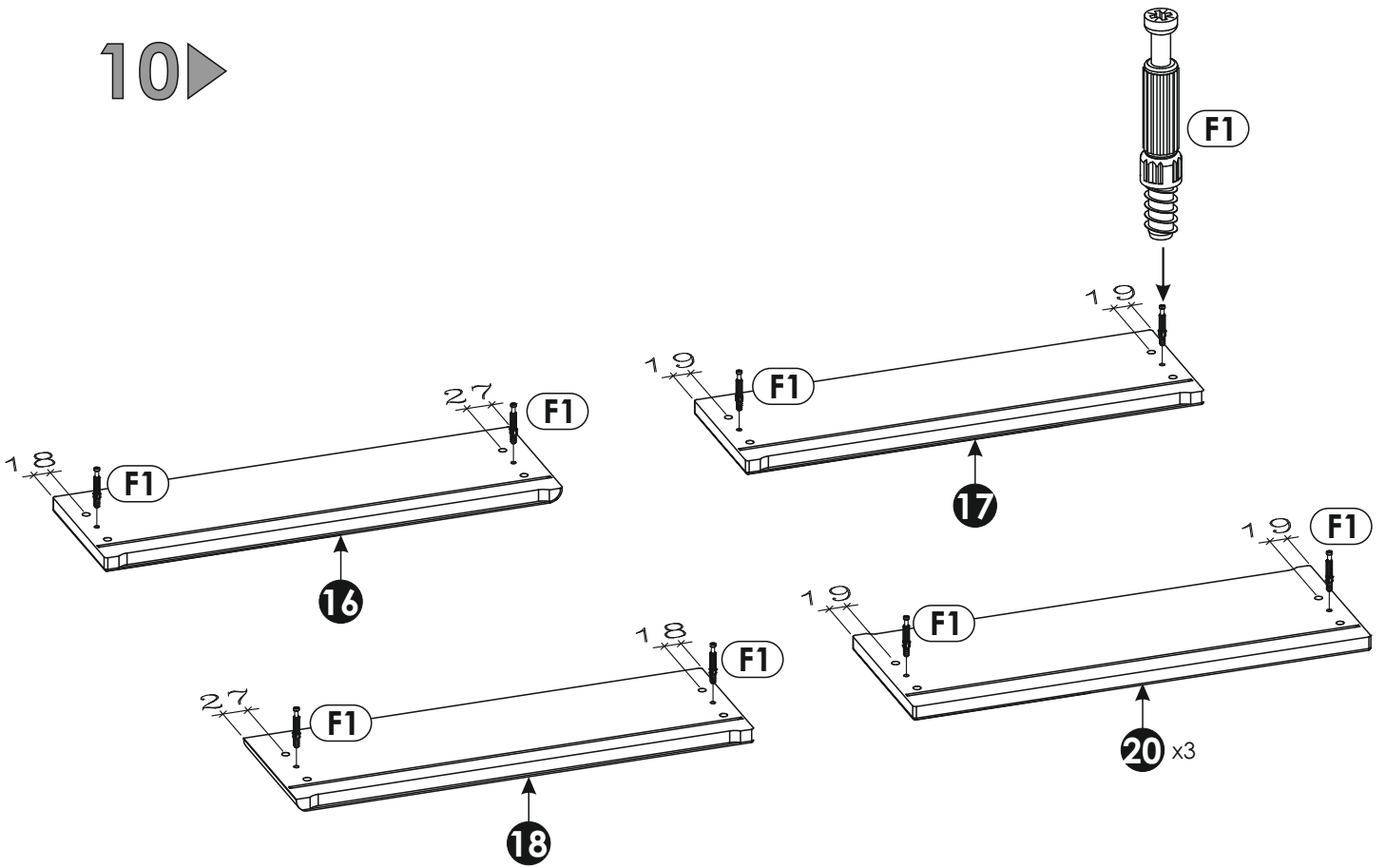
8 ▶



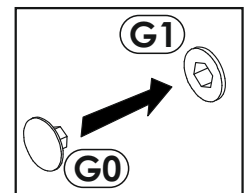
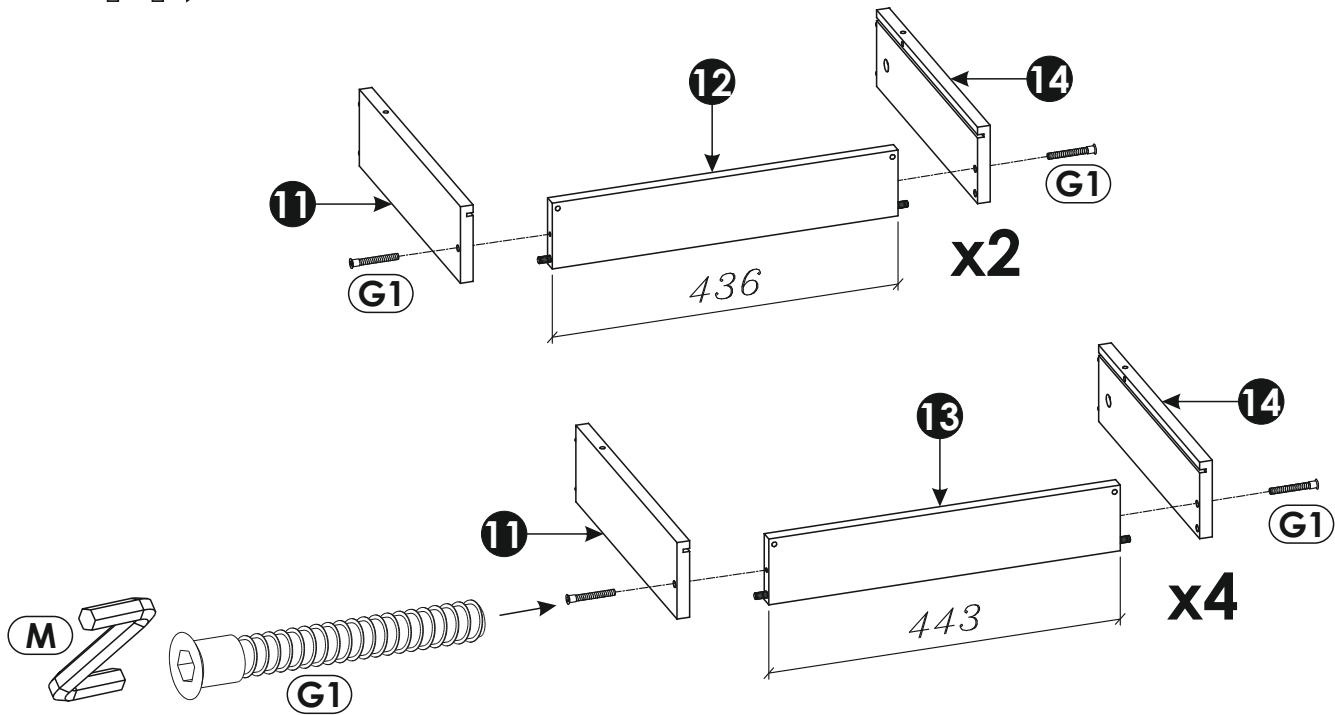
9 ▶



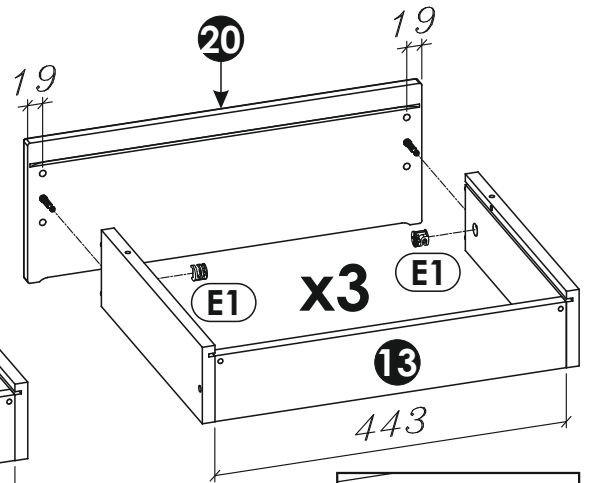
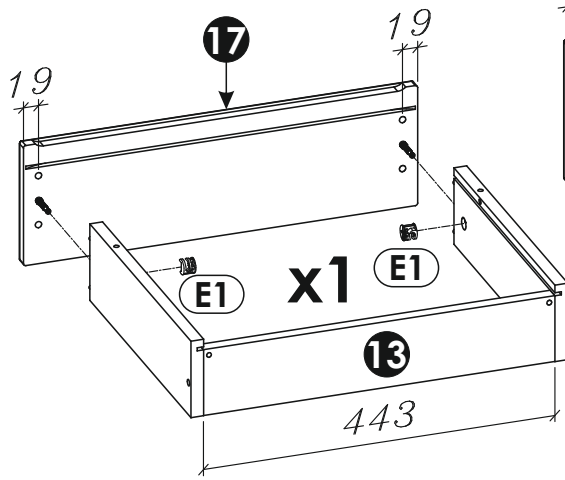
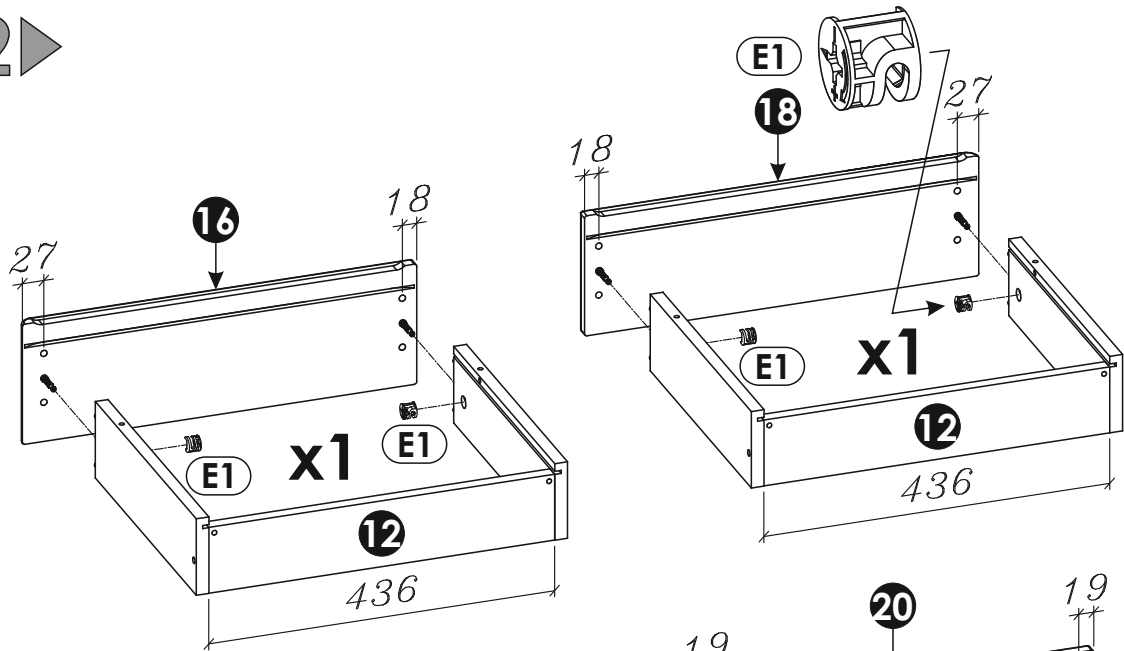
# 10 ▶



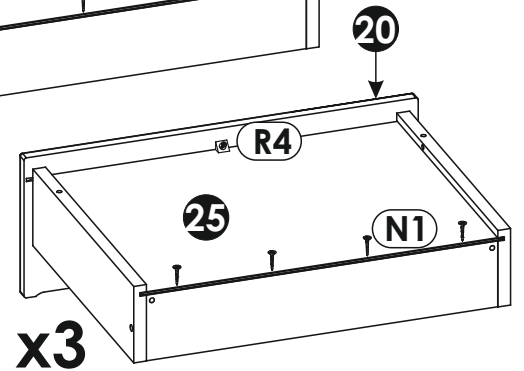
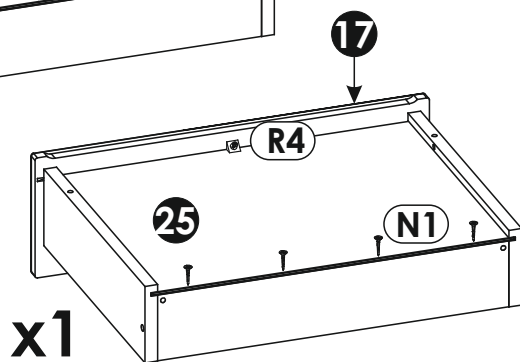
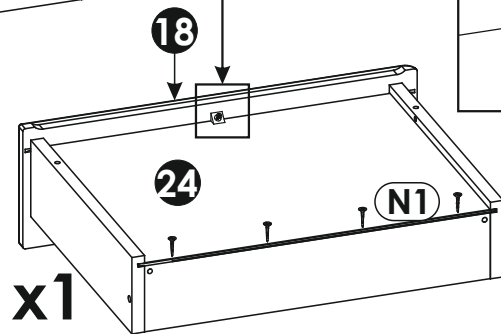
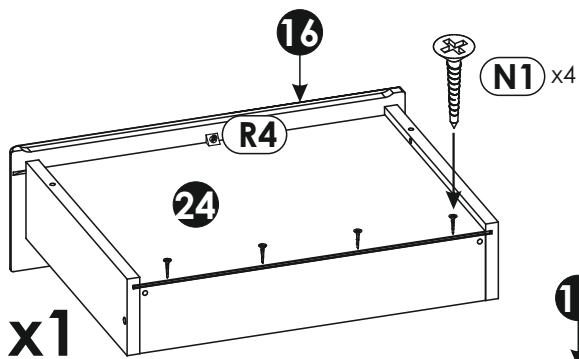
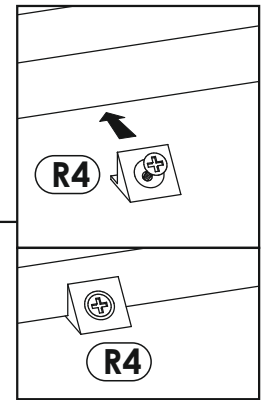
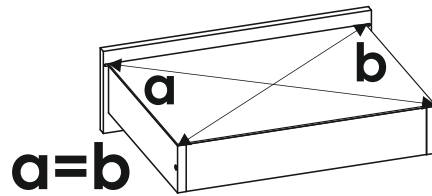
# 11 ▶



# 12 ▶

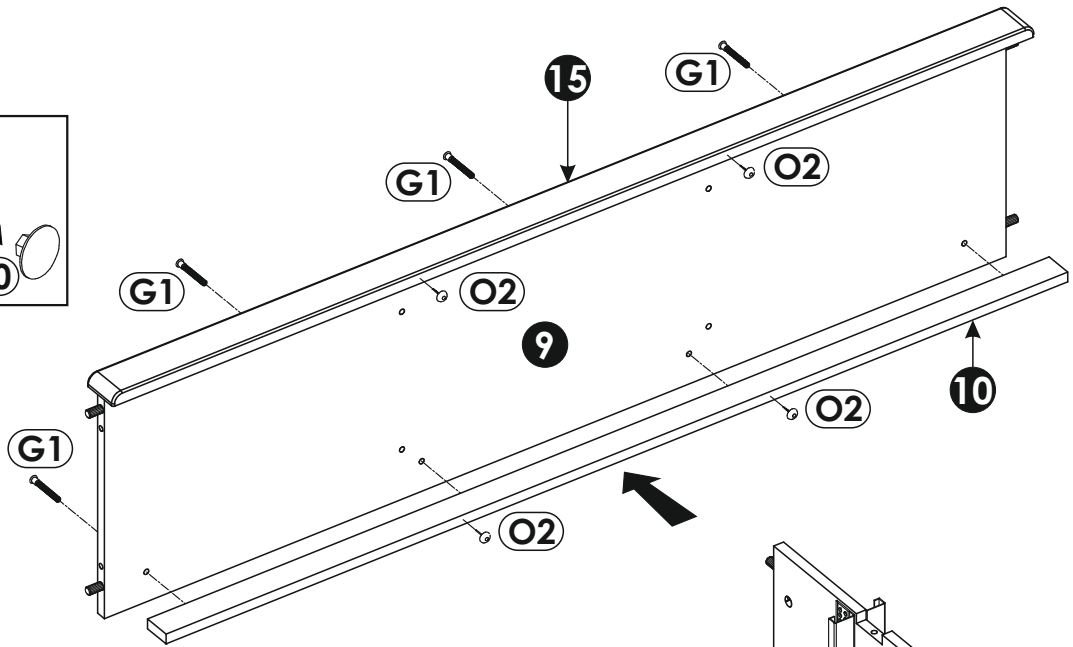
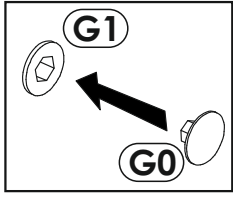


# 13 ▶

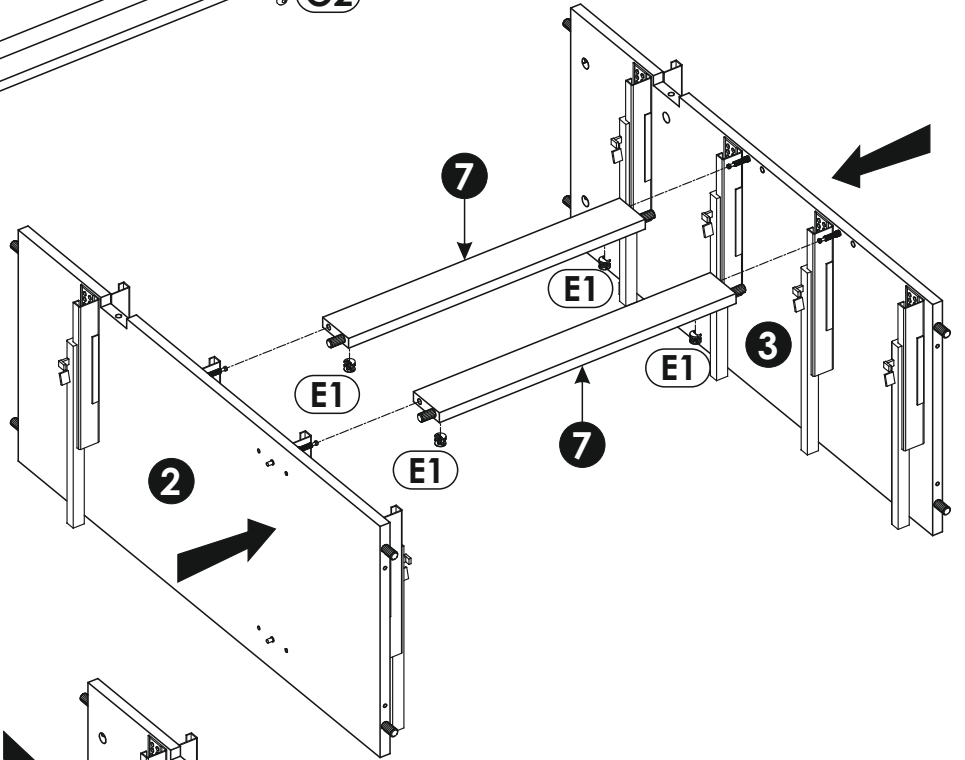




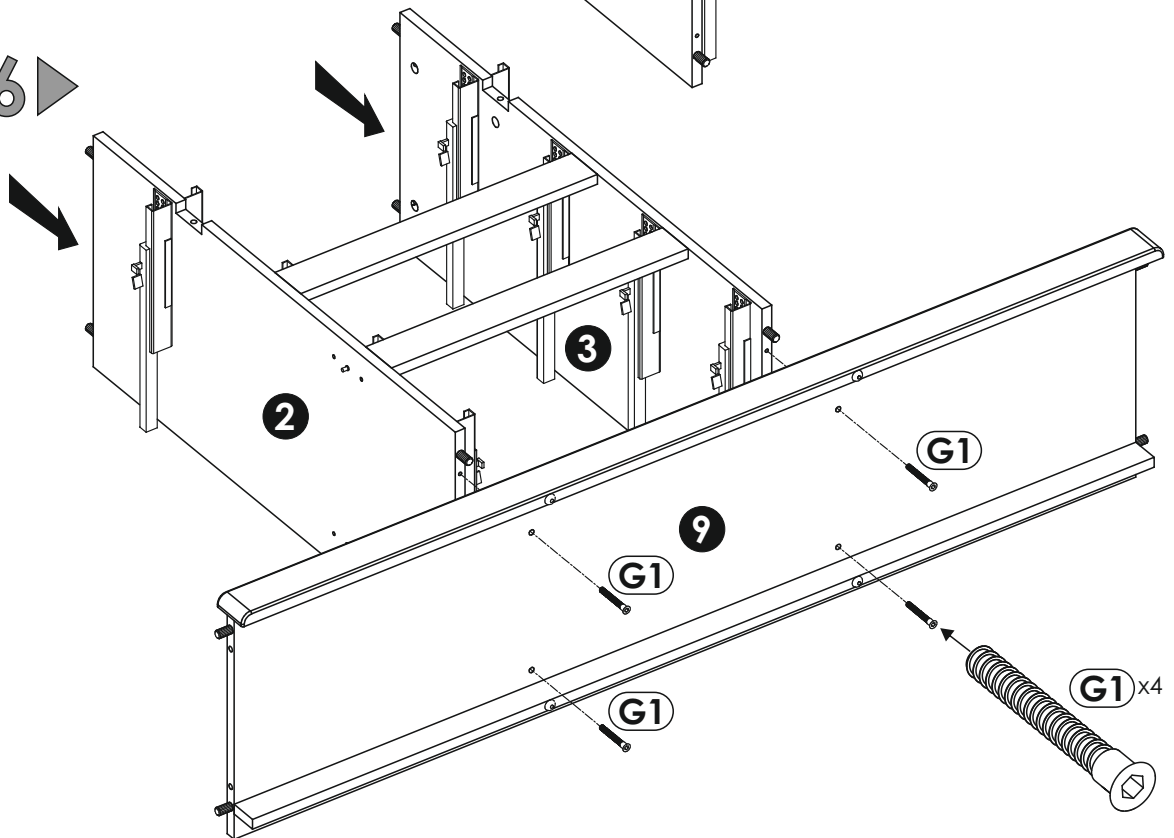
14 ▶



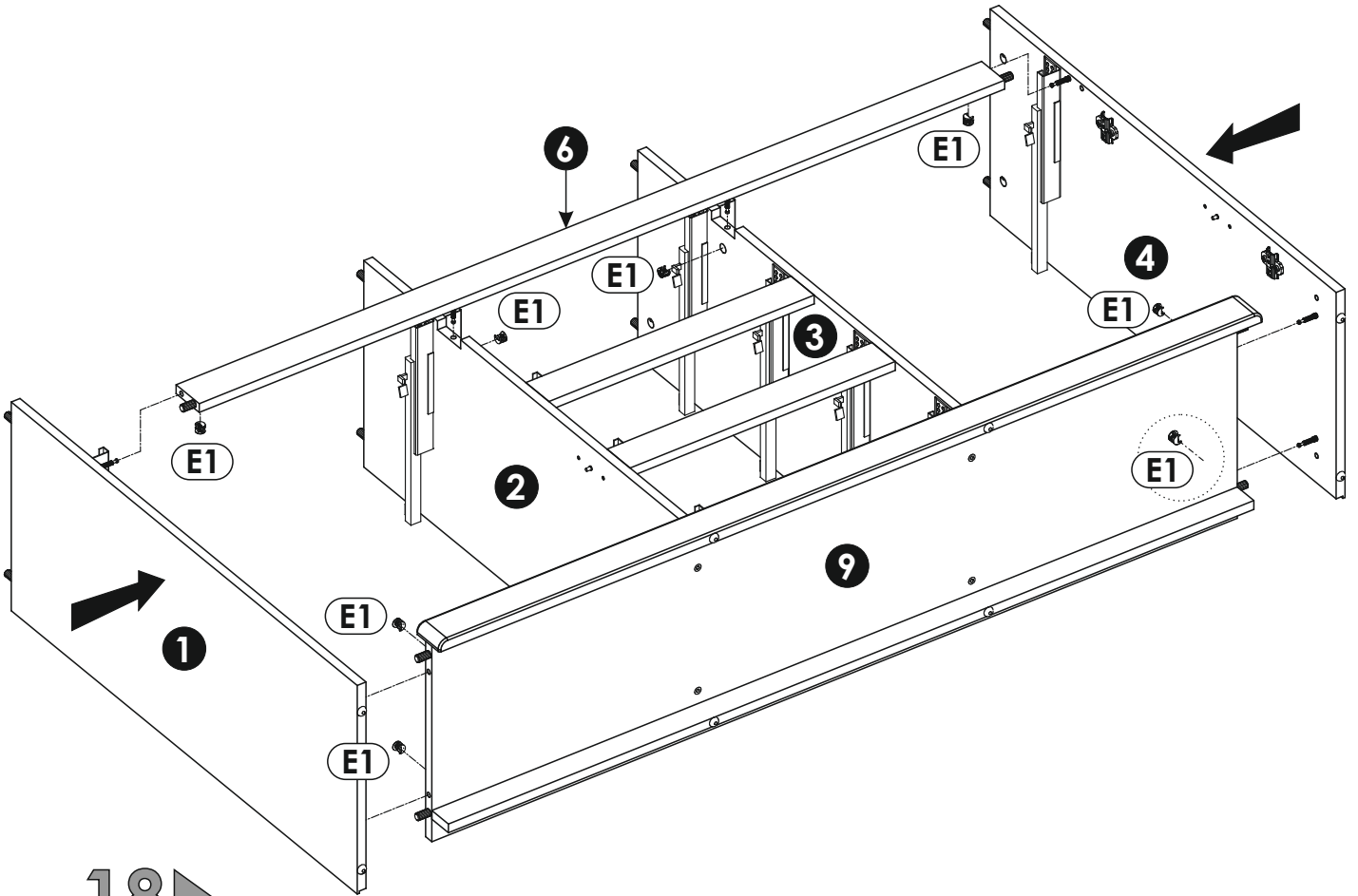
15 ▶



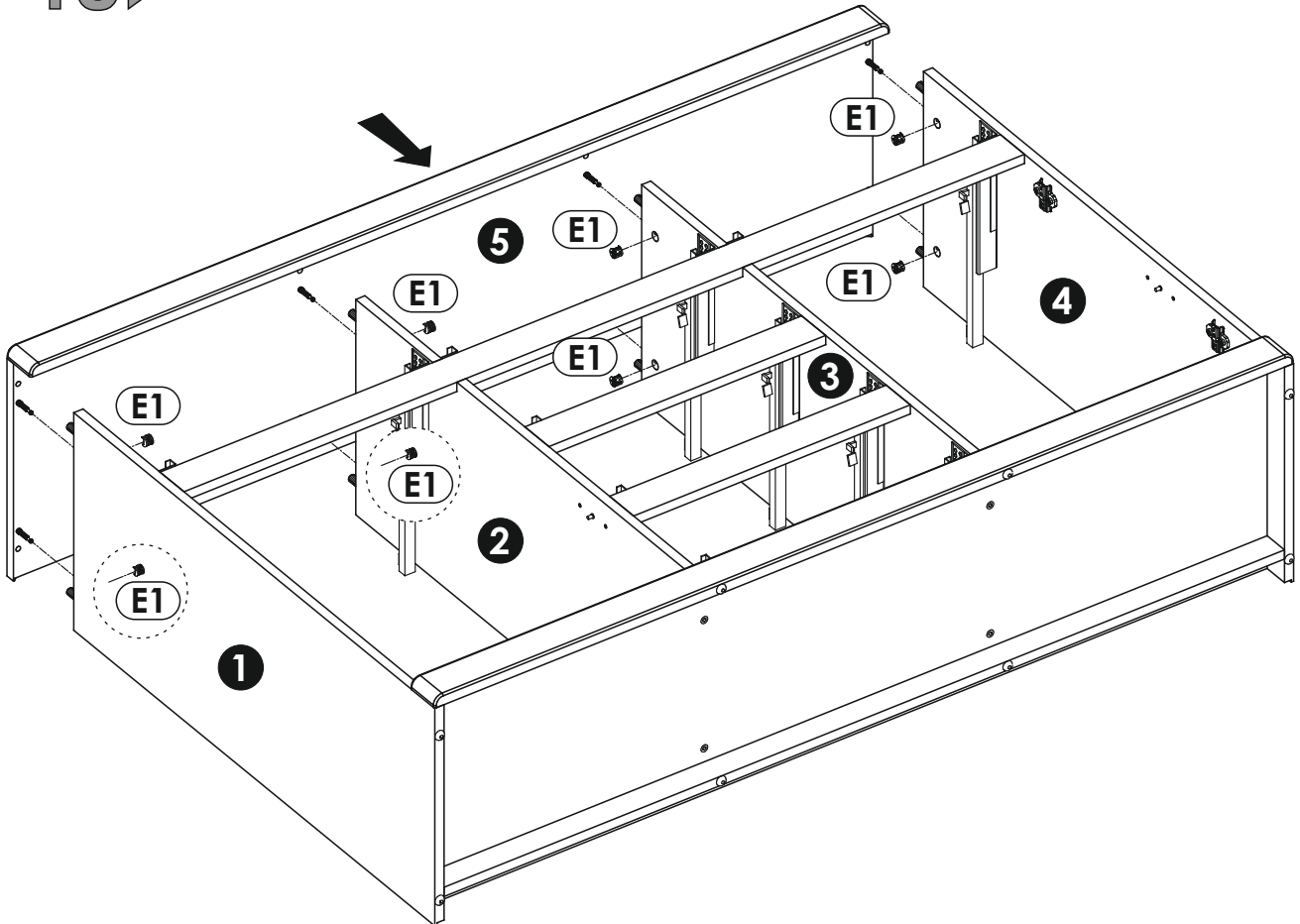
16 ▶



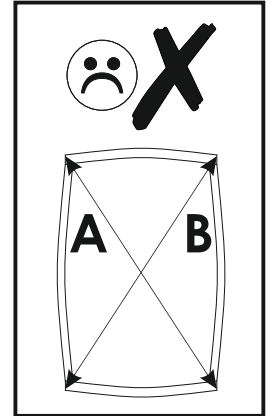
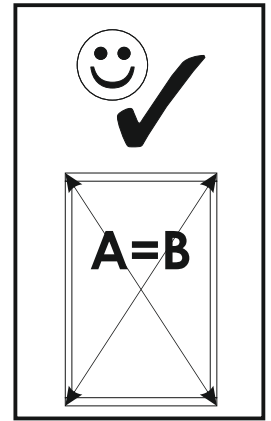
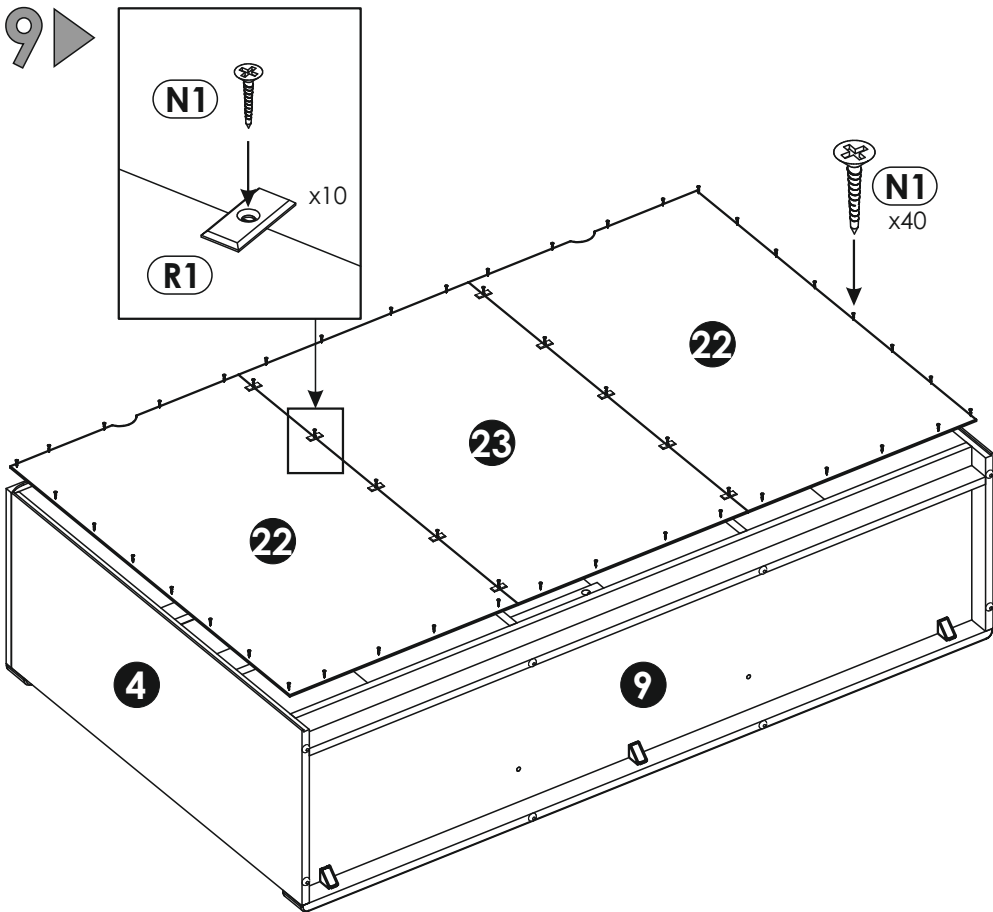
17▶



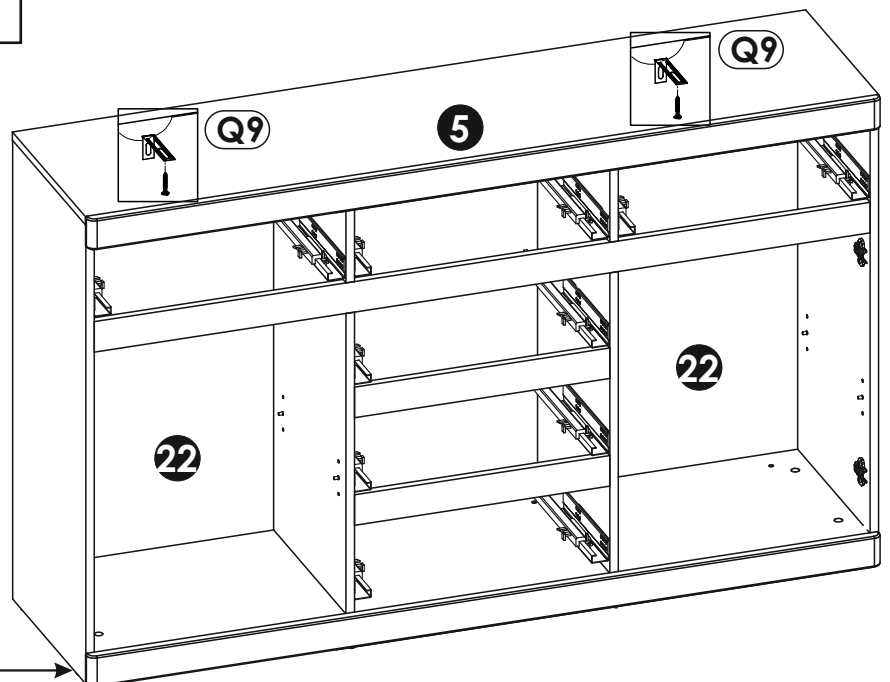
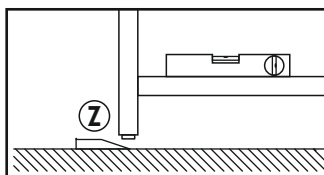
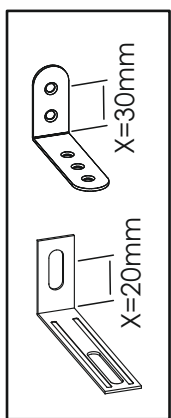
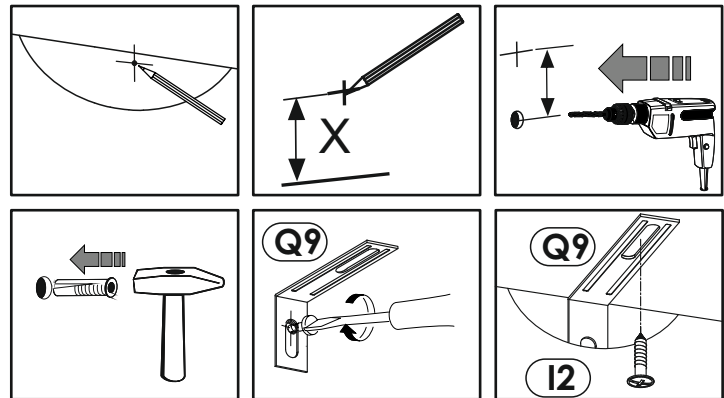
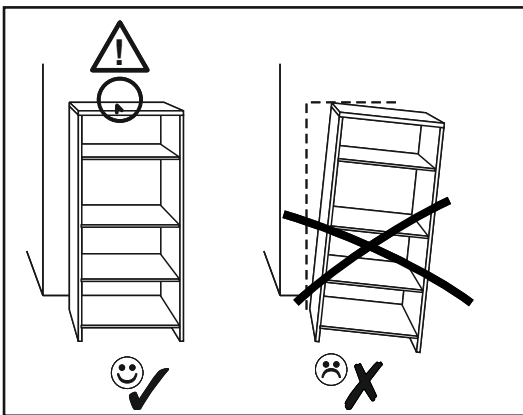
18▶



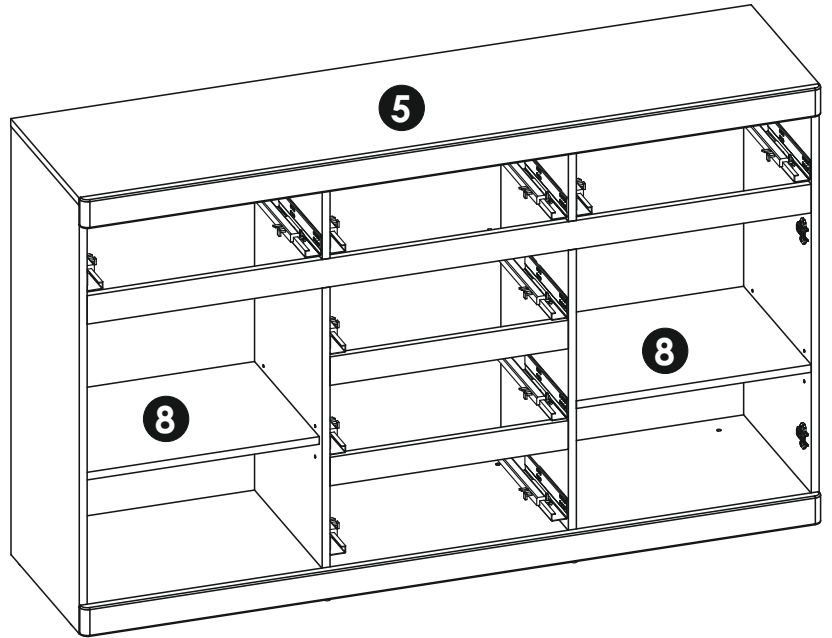
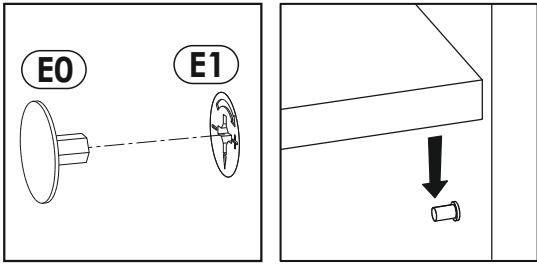
19 ▶



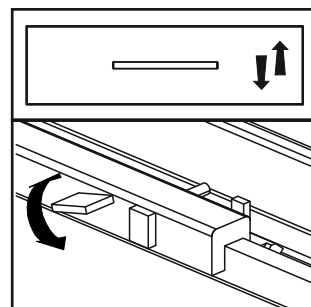
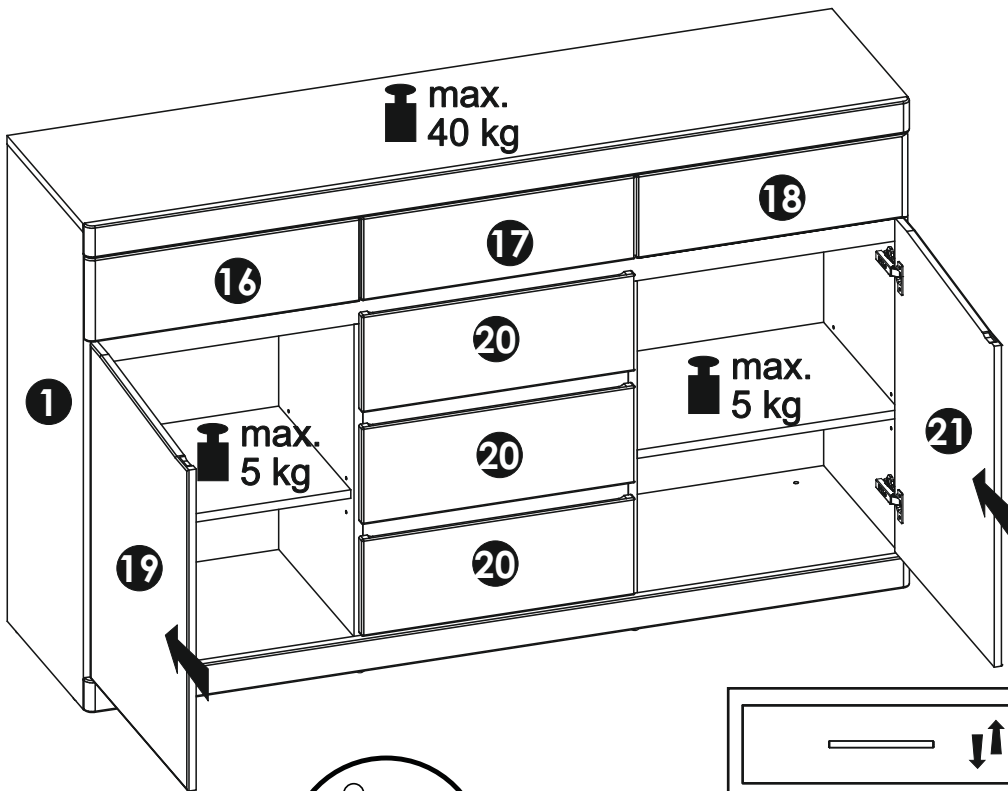
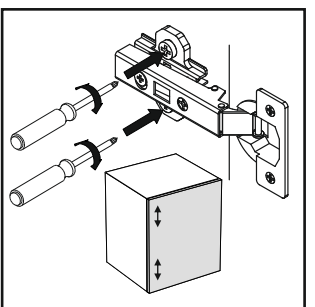
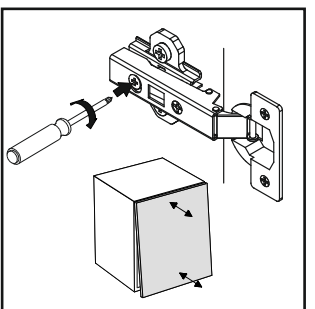
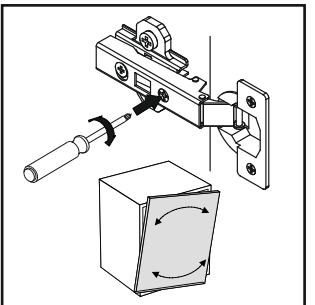
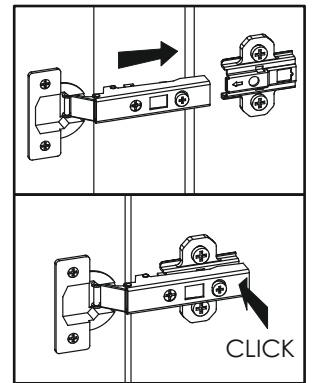
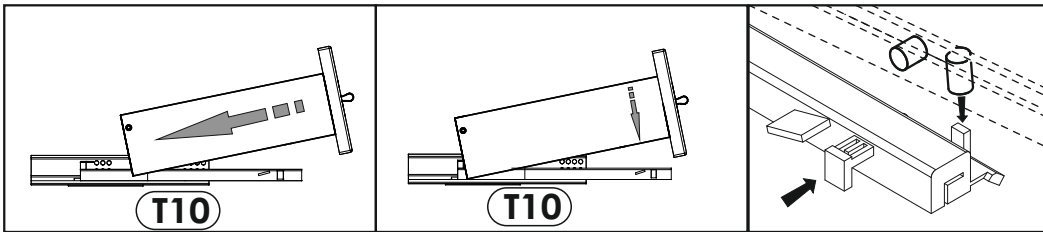
20 ▶

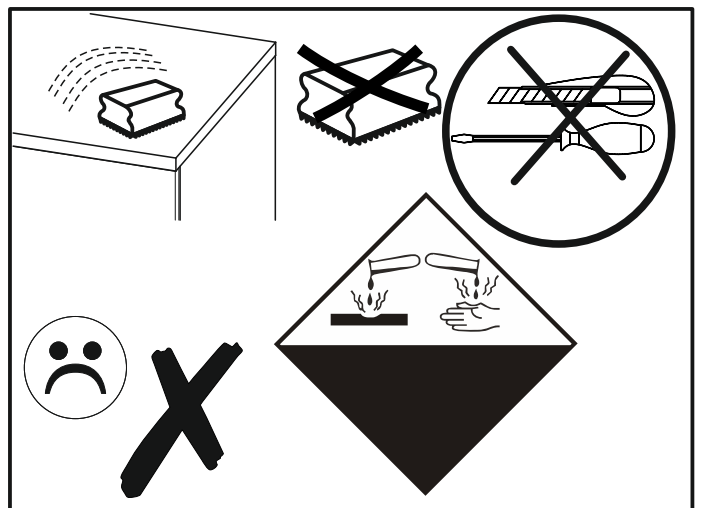
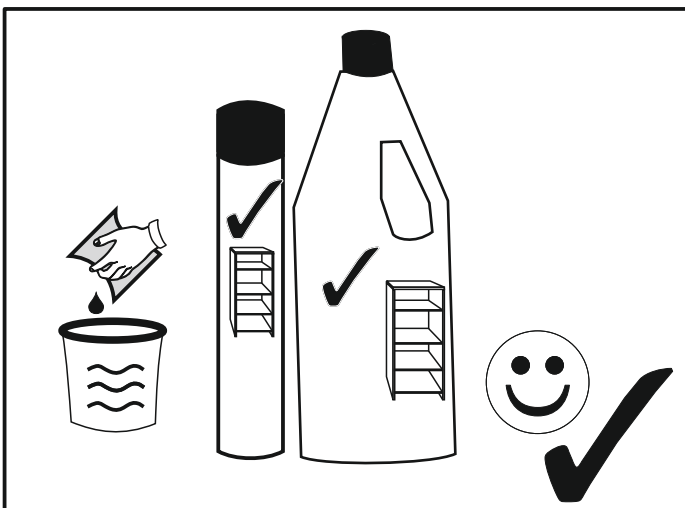
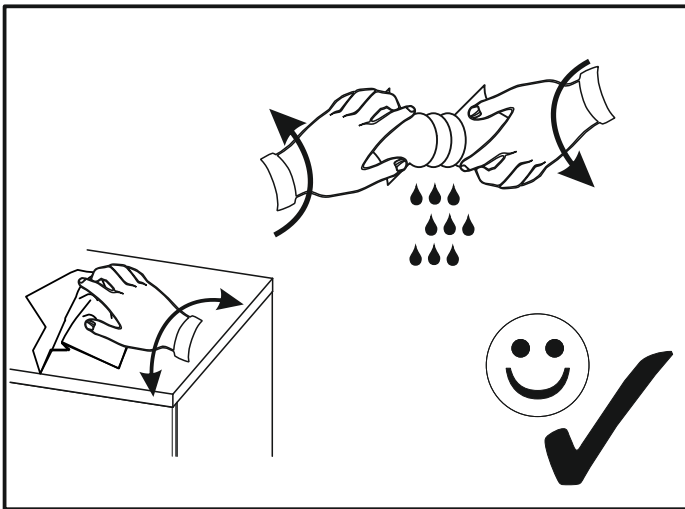
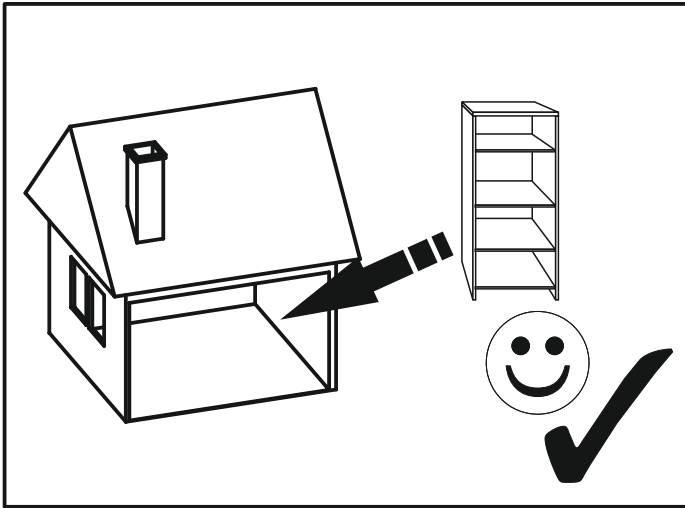


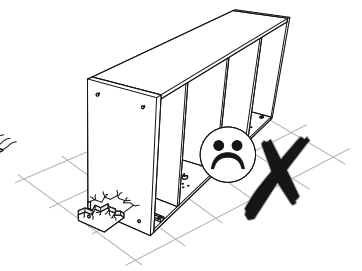
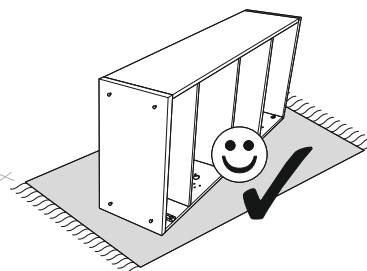
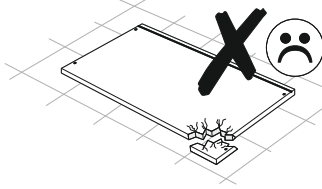
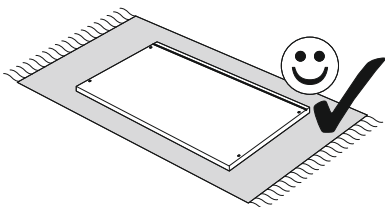
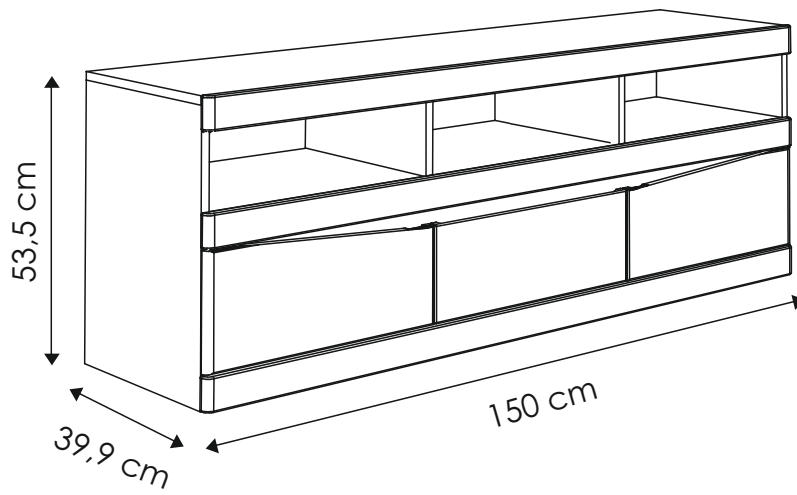
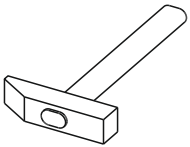
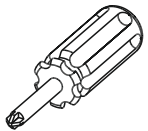
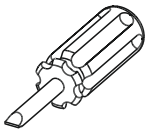
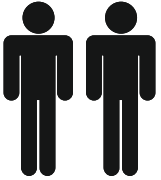
# 21 ▶

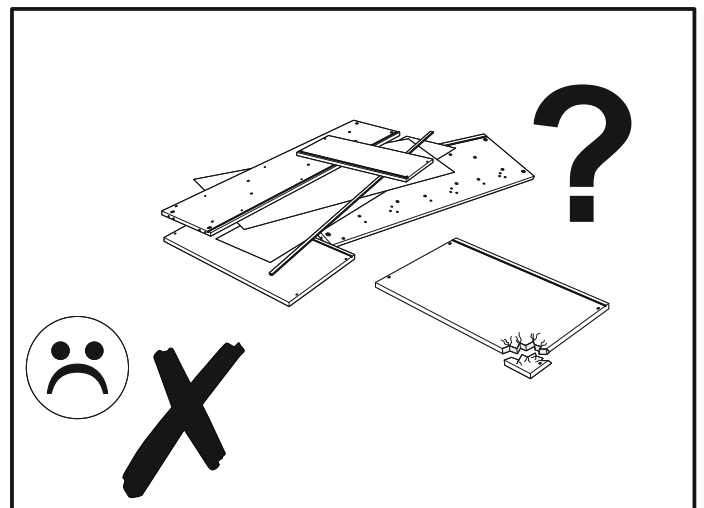
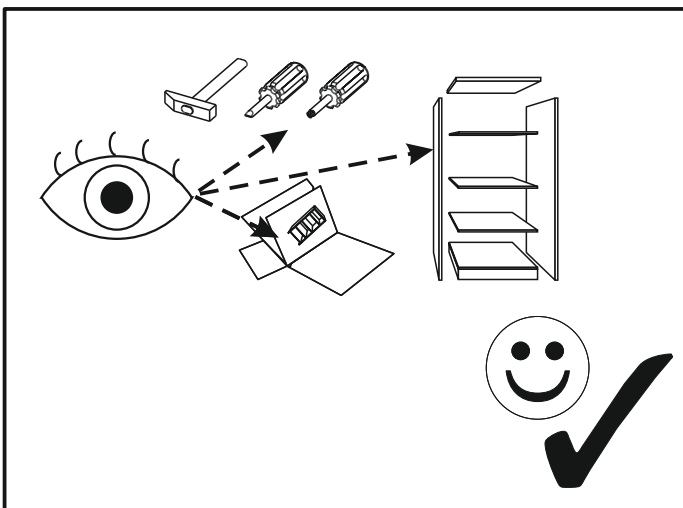
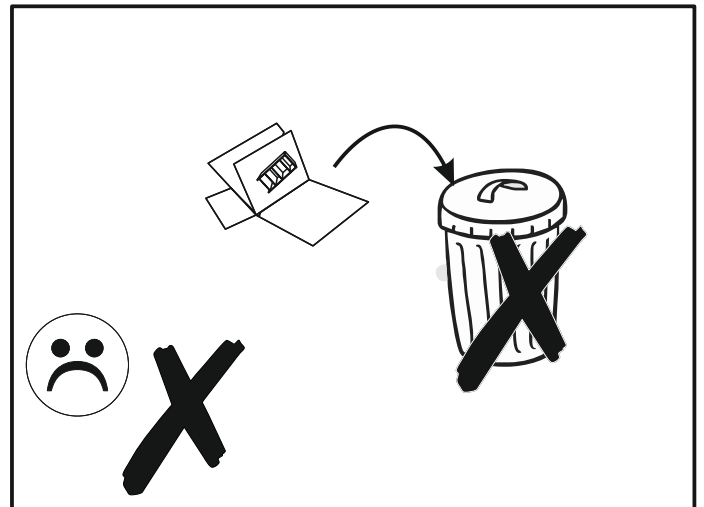
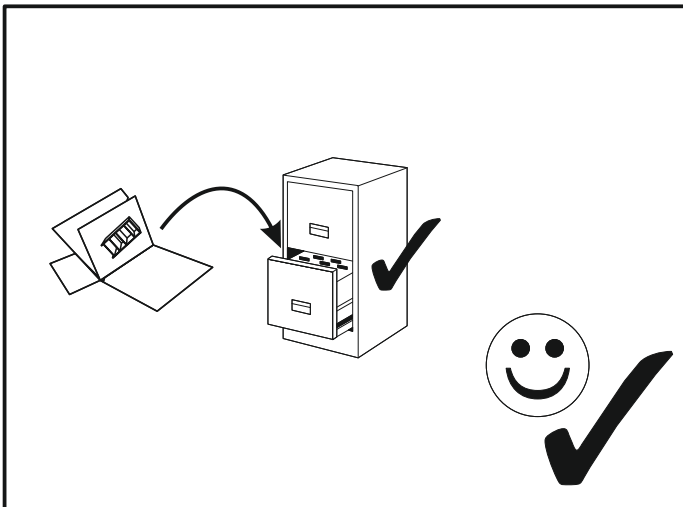
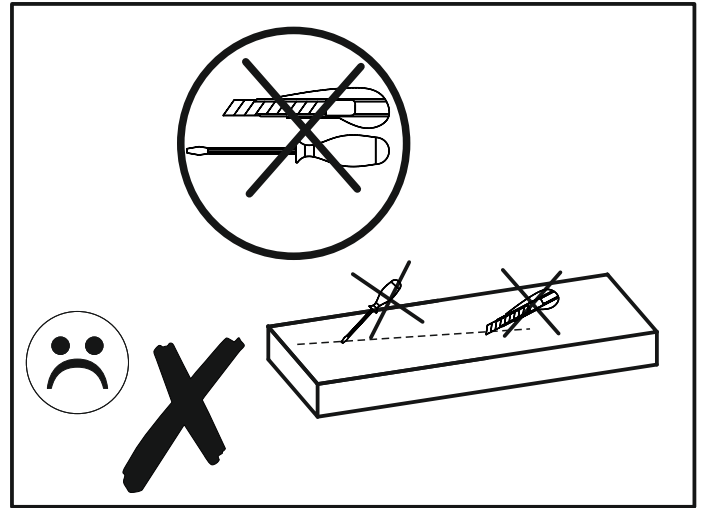
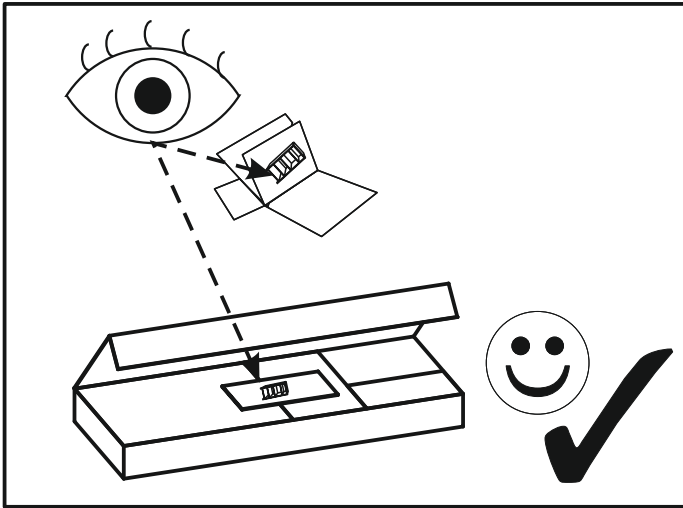


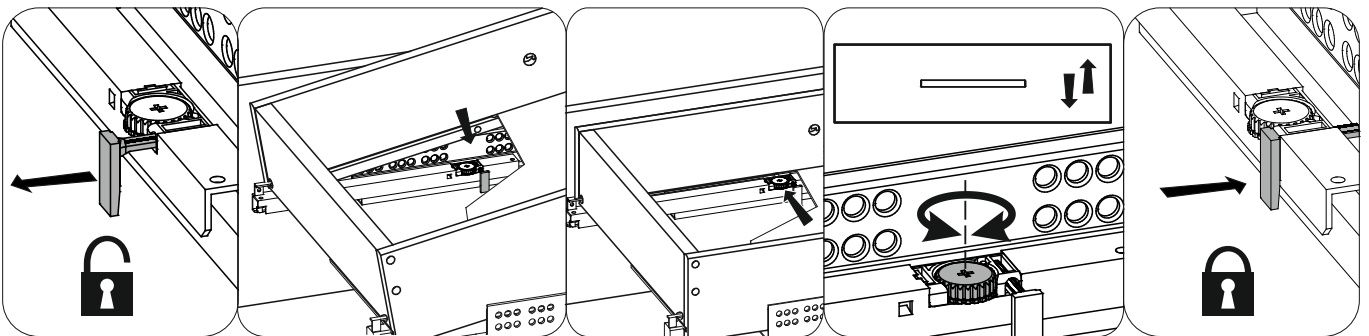
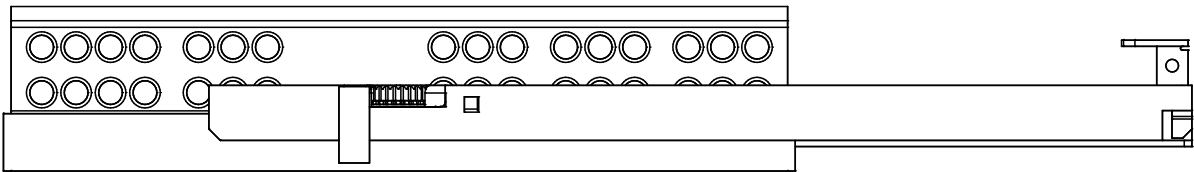
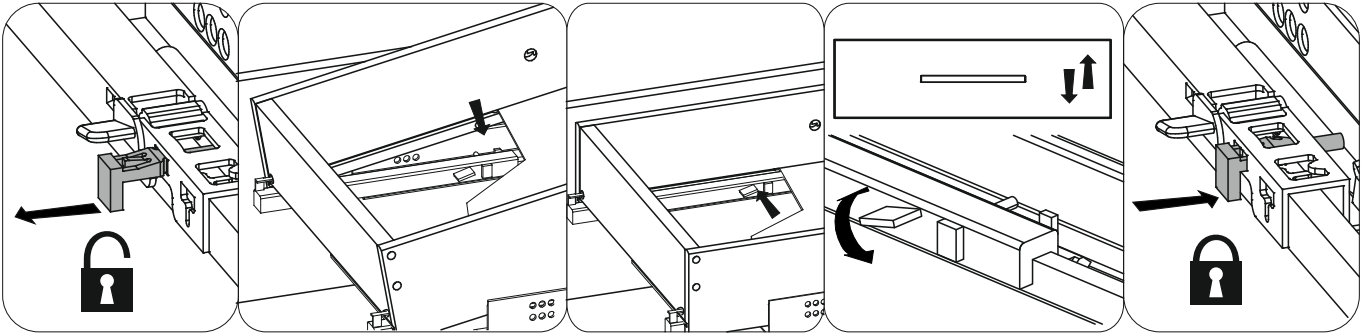
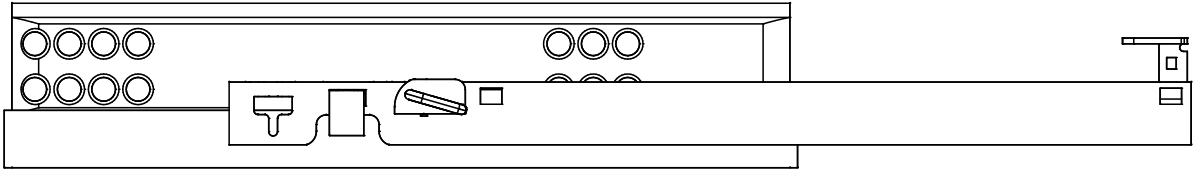
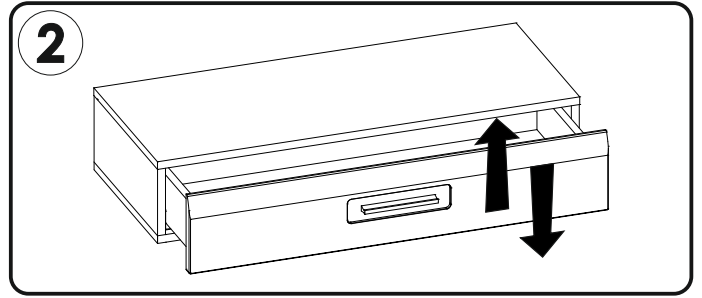
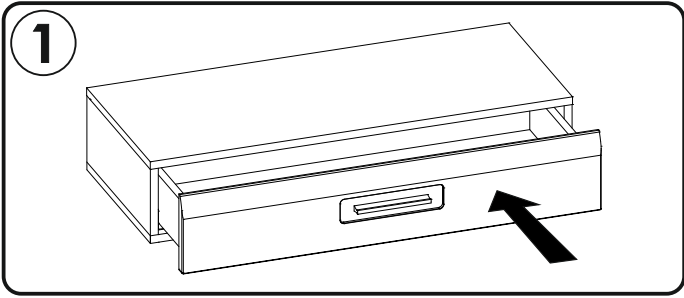
# 22 ▶






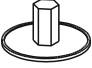


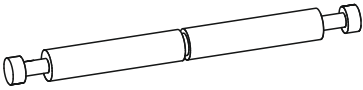

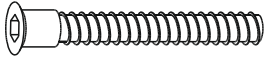


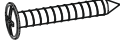
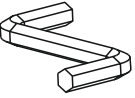


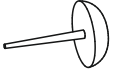


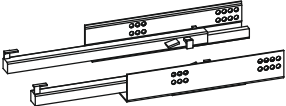
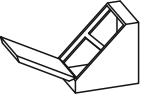
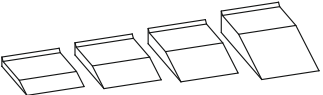


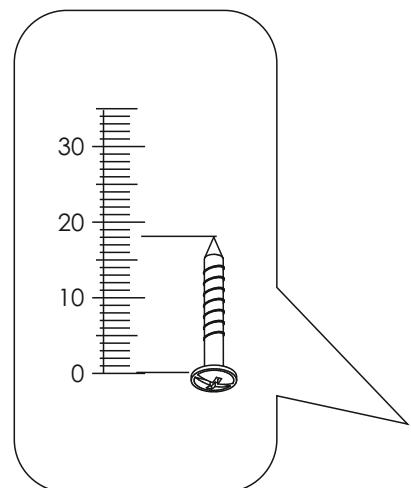
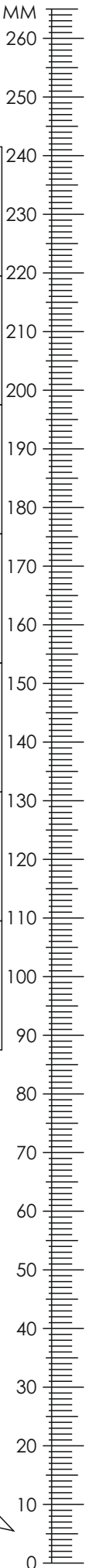


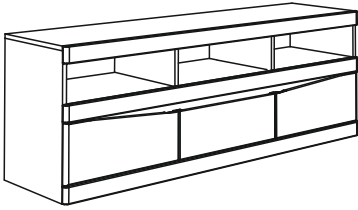






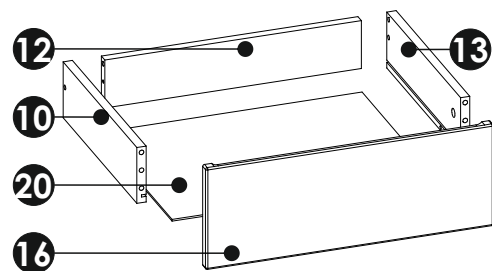
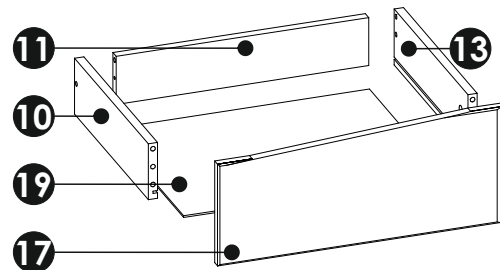
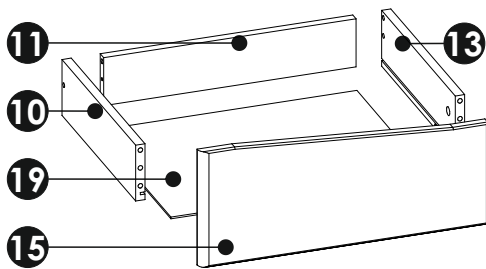
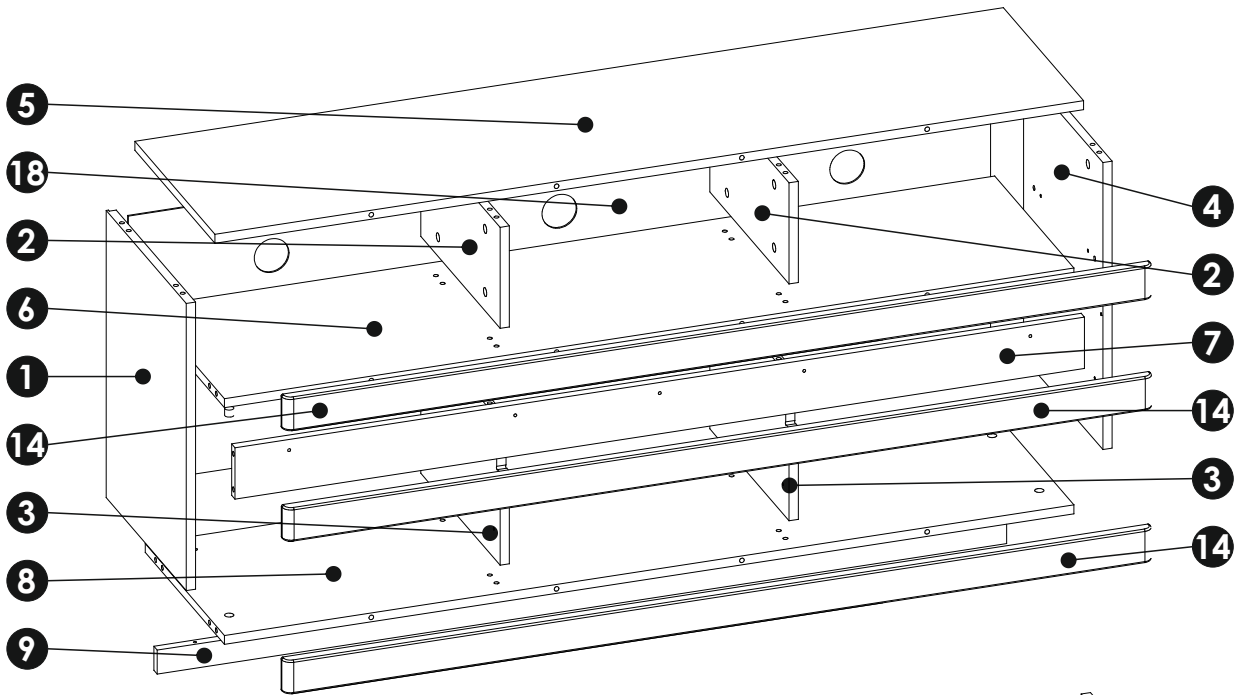
<b>A1</b> x 52 $\varnothing$ 8 x 35 mm 	<b>A3</b> x 4 $\varnothing$ 8 x 60 mm 	<b>C2</b> x 12 EURO 5 x 13 mm 
<b>E0</b> x 32 	<b>E1</b> x 32 $\varnothing$ 15 x 12 mm 	<b>F1</b> x 24 $\varnothing$ 6 x 34 mm 
<b>F4</b> x 4 $\varnothing$ 7 x 76 mm 	<b>G0</b> x 14 	<b>G1</b> x 14 $\varnothing$ 7 x 50 mm 
<b>I2</b> x 2 4 x 16 mm 	<b>I6</b> x 2 3,5 x 40 mm 	<b>I8</b> x 3 4 x 27 mm 
<b>M</b> x 1 	<b>N1</b> x 50 3 x 16 mm 	<b>N2</b> x 12 3,5 x 16 mm 
<b>O2</b> x 8 	<b>Q9</b> x 2 	<b>R4</b> x 3 
<b>T10</b> x 3 L-360 	<b>W</b> x 6 	<b>Z</b> x 1 

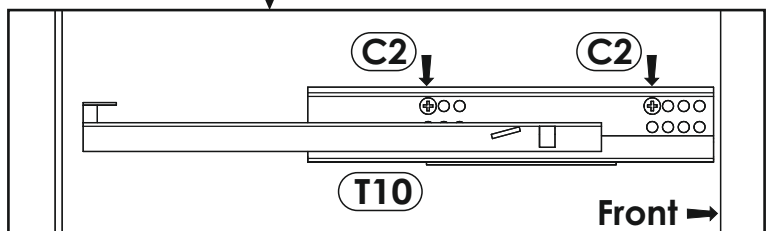
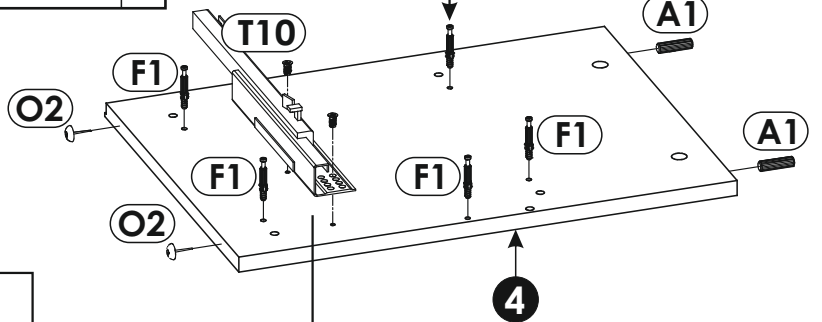
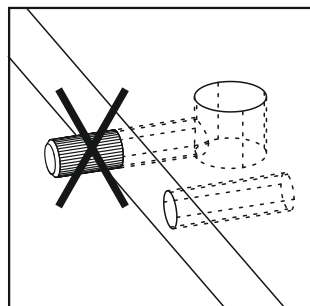
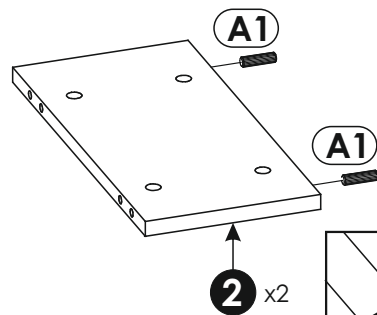
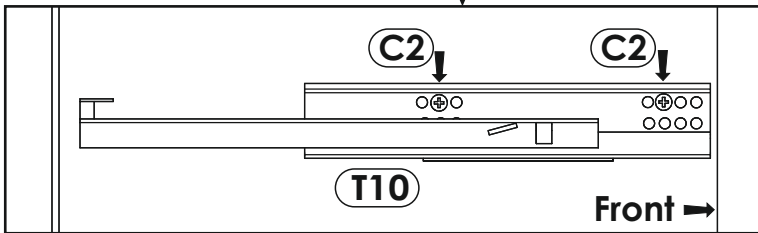
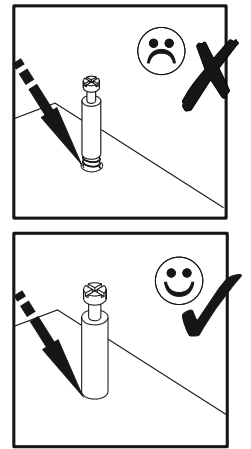
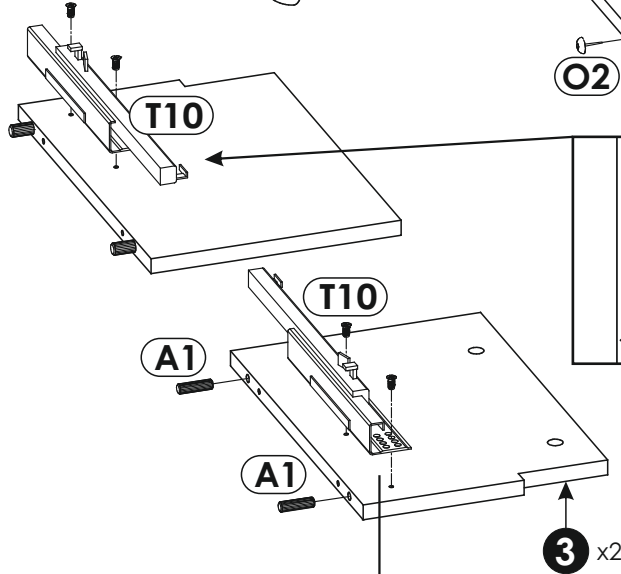
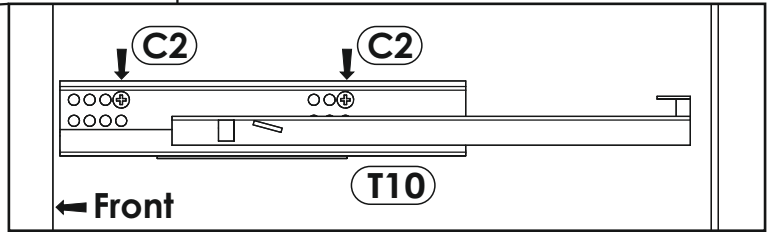
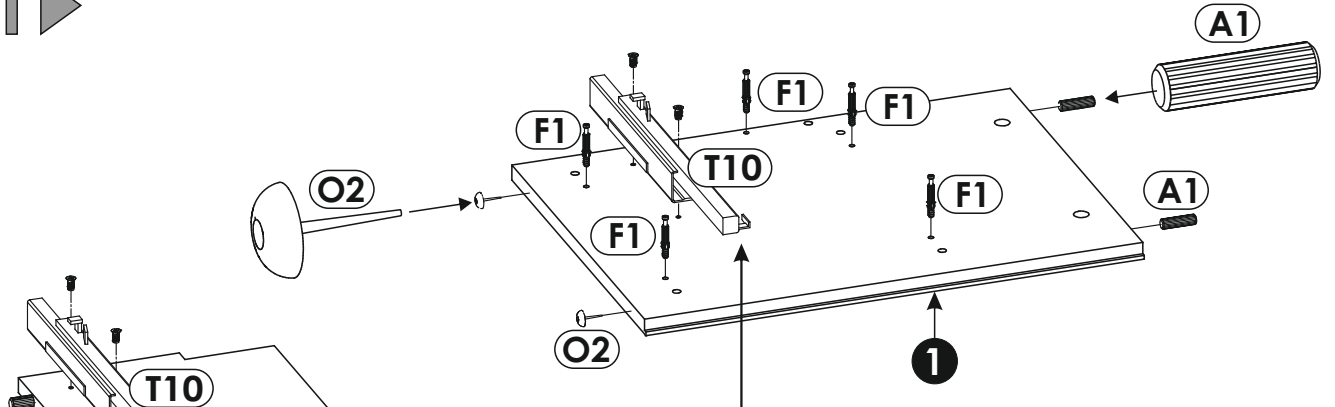
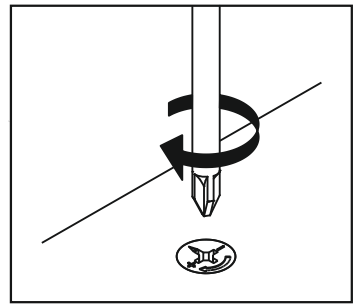
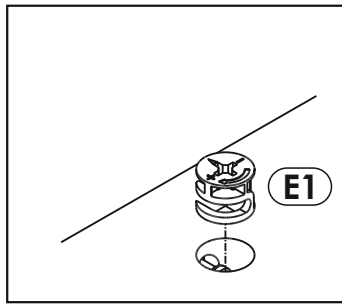
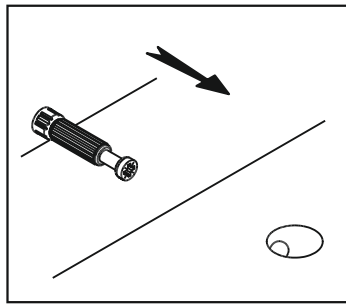
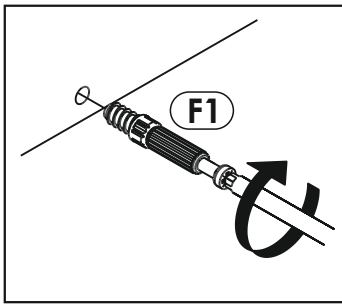




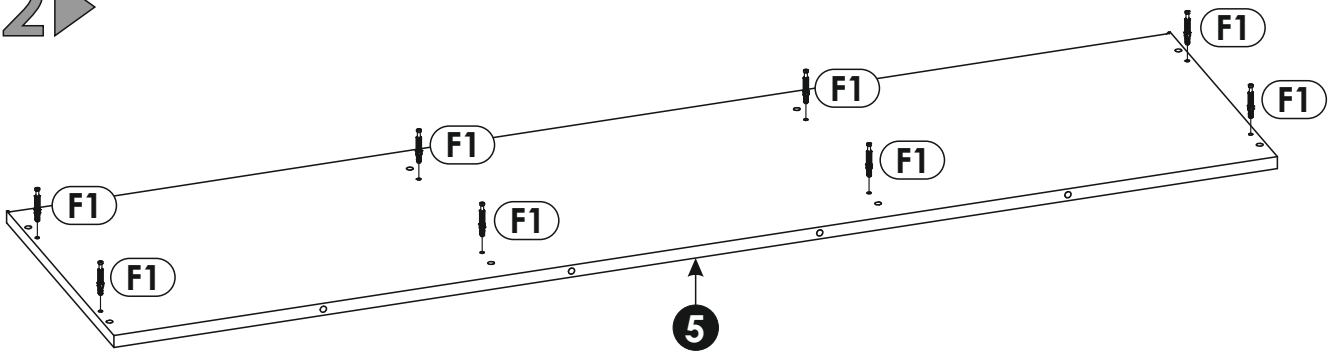
<b>1</b>	514	380	16	x1	1/2
<b>2</b>	181	376	16	x2	1/2
<b>3</b>	258	376	16	x2	1/2
<b>4</b>	514	380	16	x1	1/2
<b>5</b>	1500	380	16	x1	2/2
<b>6</b>	1467	376	16	x1	2/2
<b>7</b>	1467	92	16	x1	2/2
<b>8</b>	1476	376	16	x1	2/2
<b>9</b>	1467	43	16	x1	2/2
<b>10</b>	350	100	16	x3	1/2

<b>11</b>	436	86	16	x2	1/2
<b>12</b>	443	86	16	x1	1/2
<b>13</b>	350	100	16	x3	1/2
<b>14</b>	1500	60	19	x3	2/2
<b>15</b>	497	207	16	x1	2/2
<b>16</b>	497	182	16	x1	2/2
<b>17</b>	497	207	16	x1	2/2
<b>18</b>	1489	480	3	x1	1/2
<b>19</b>	451	355	3	x2	1/2
<b>20</b>	458	355	3	x3	1/2

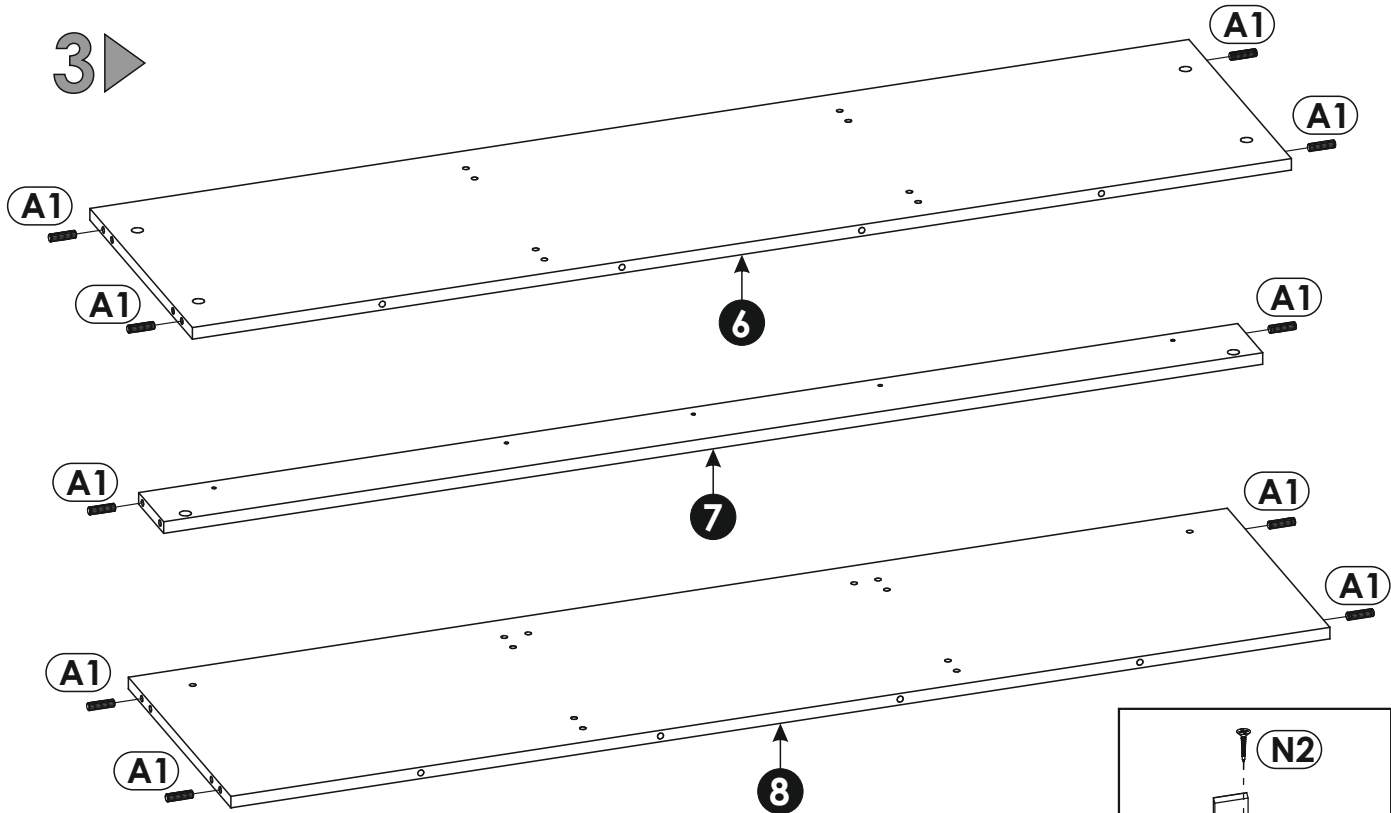




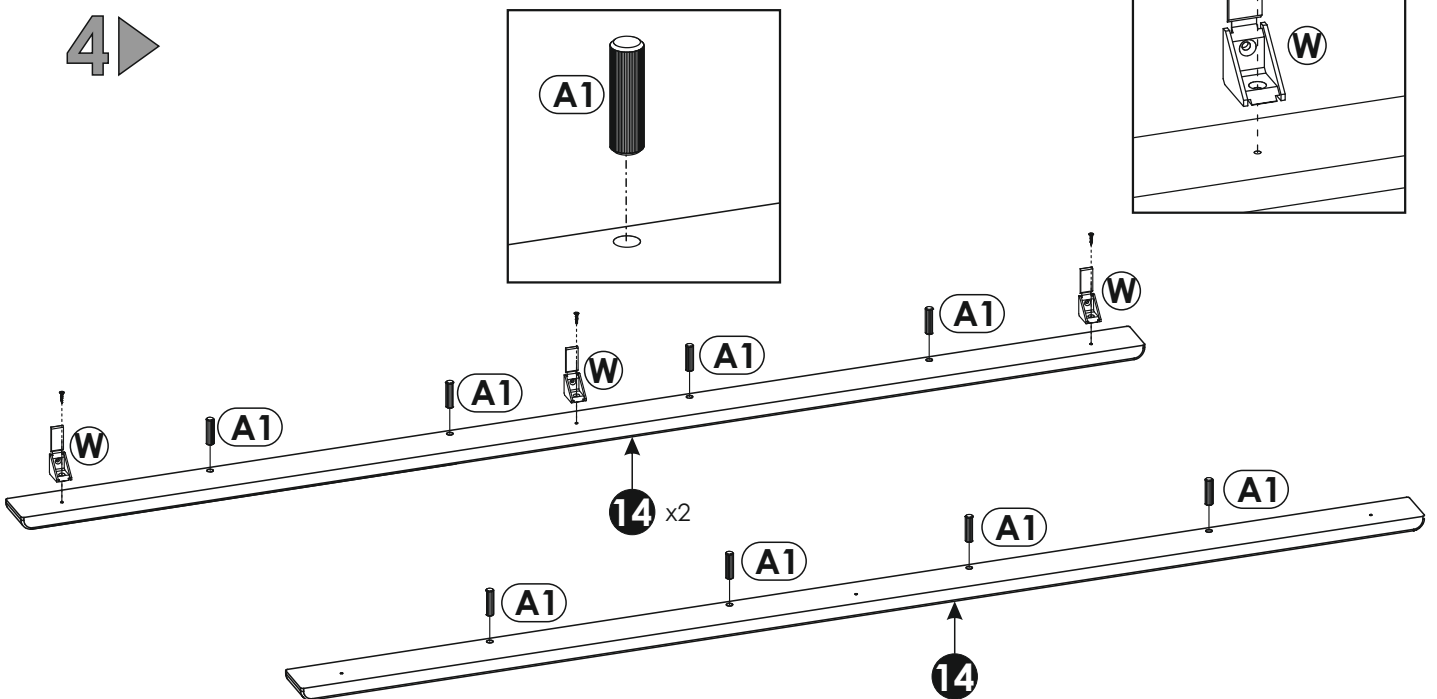
2 ▶



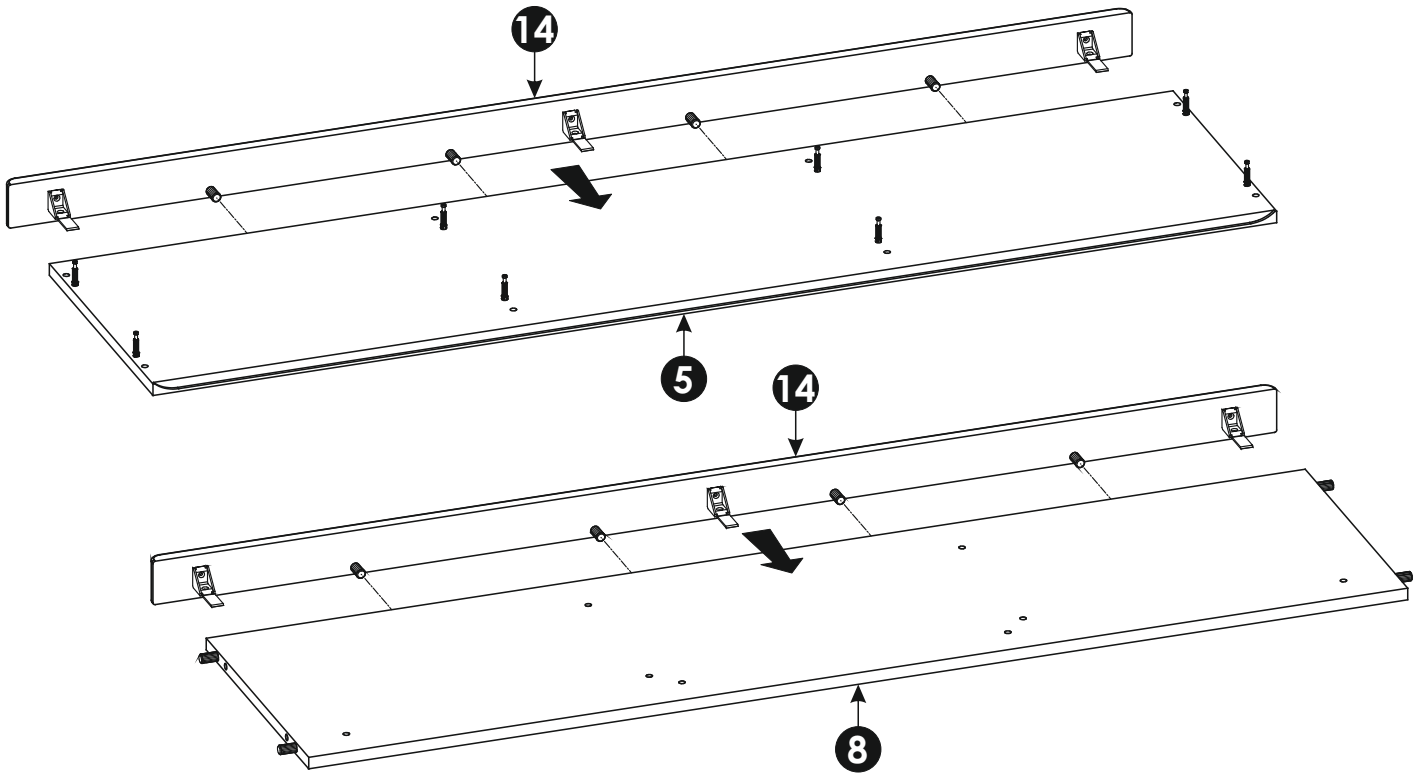
3 ▶



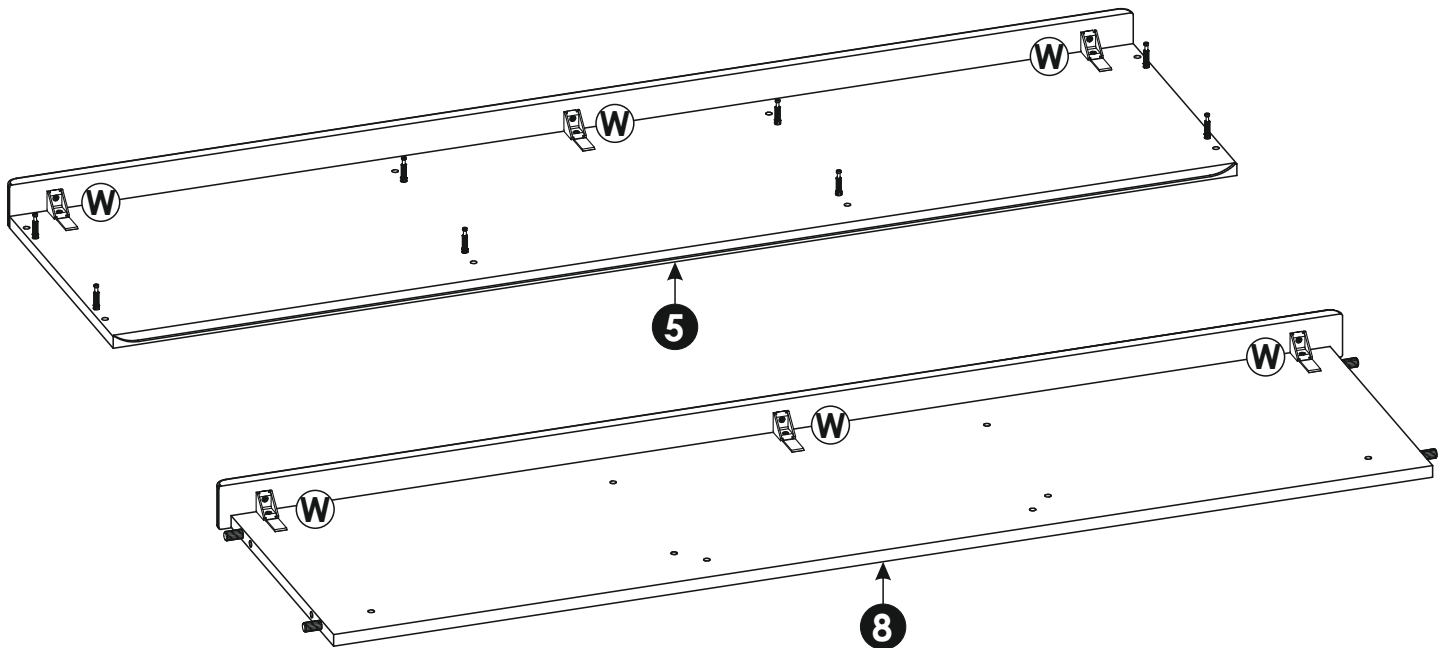
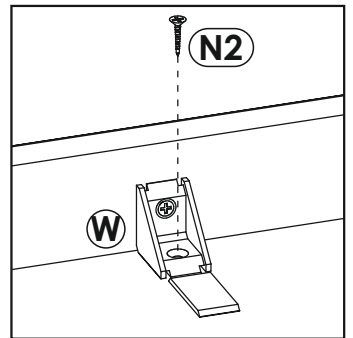
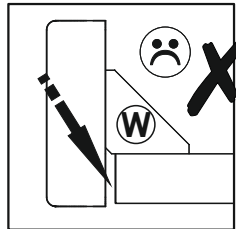
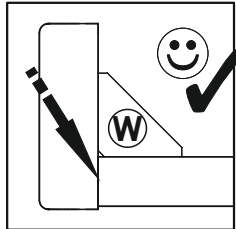
4 ▶



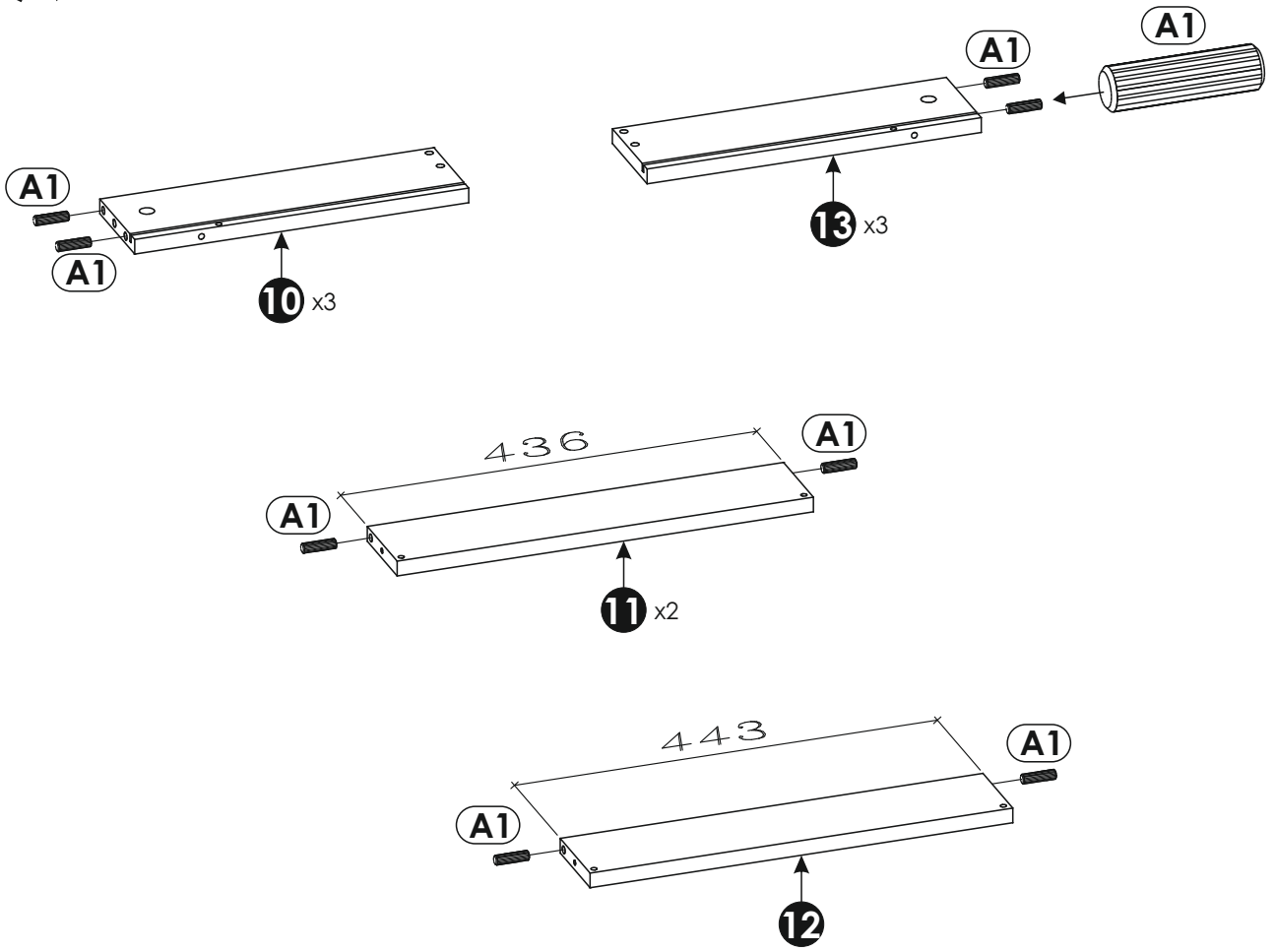
5 ▶



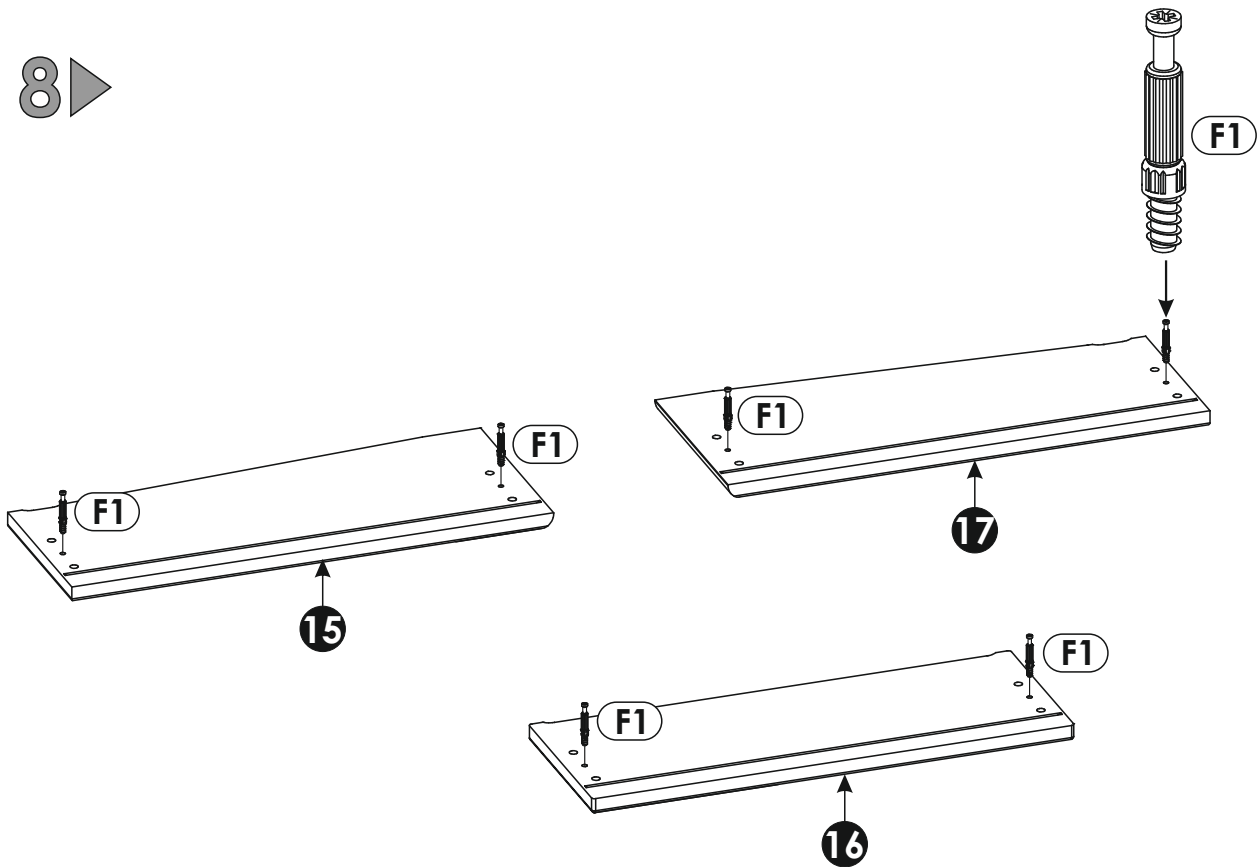
6 ▶



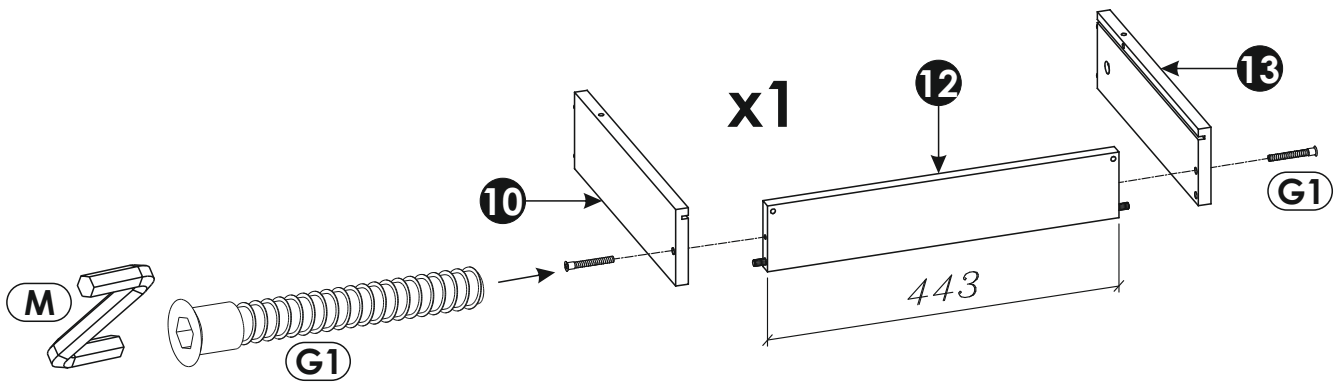
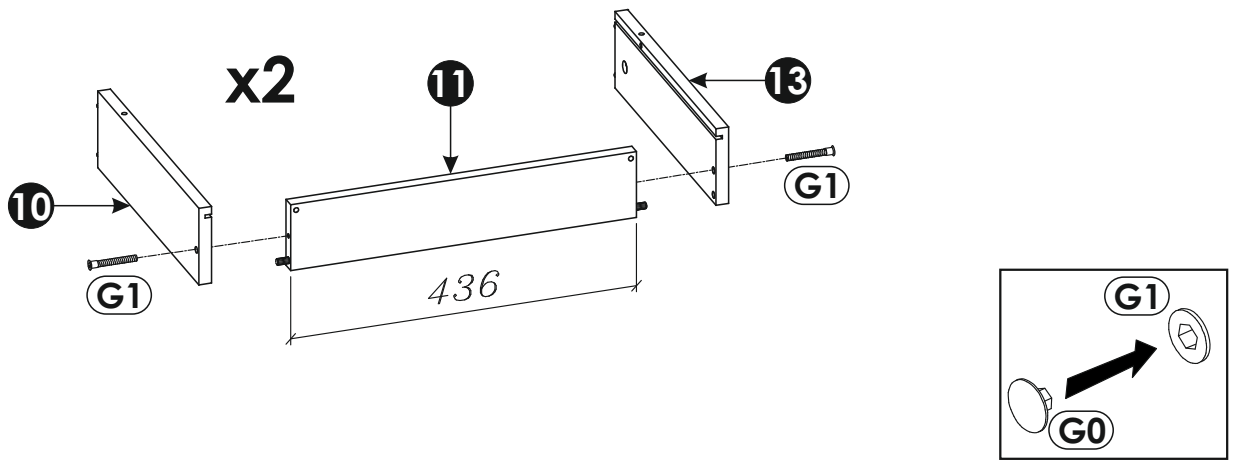
7 ▶



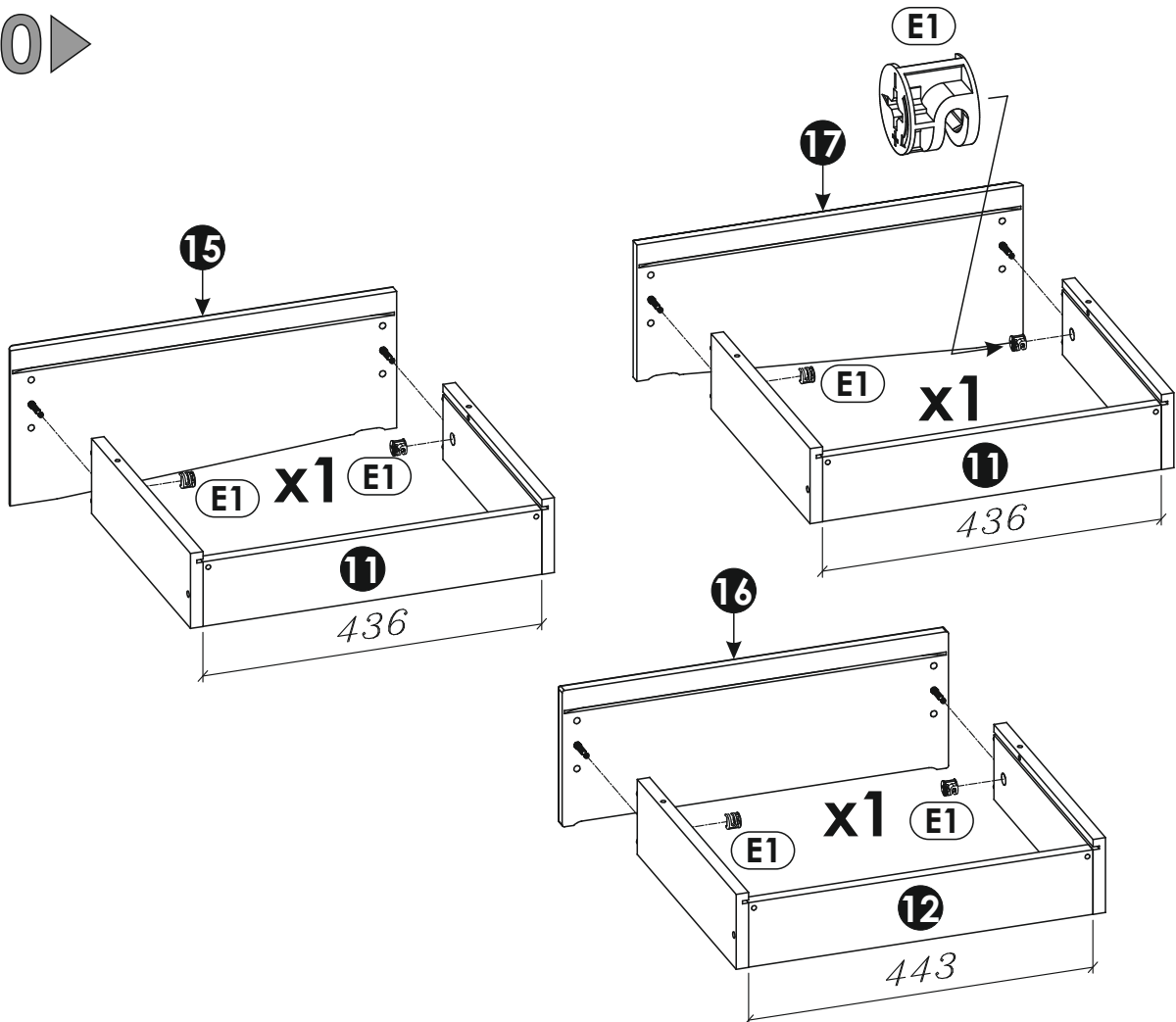
8 ▶



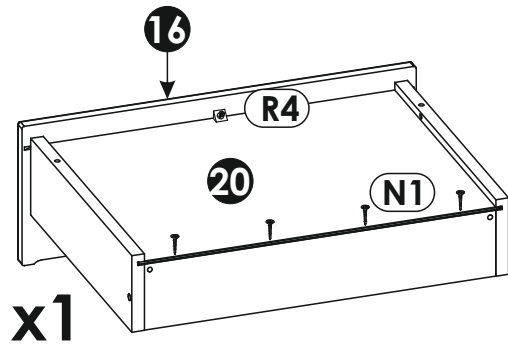
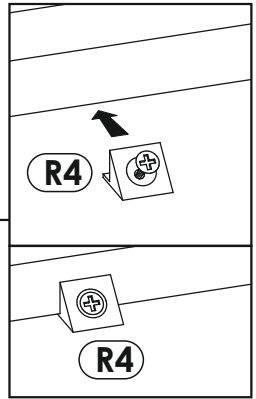
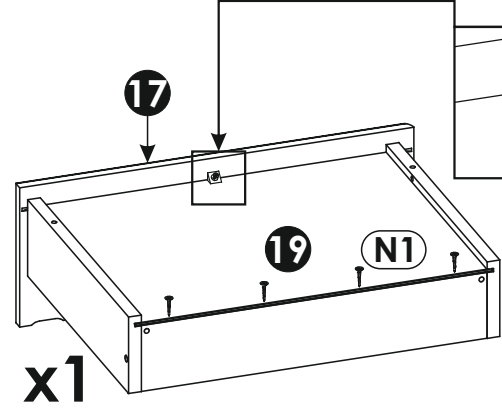
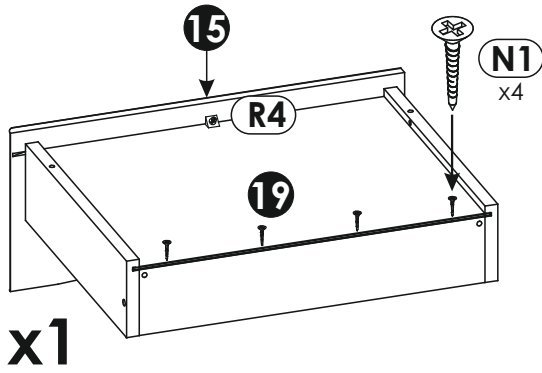
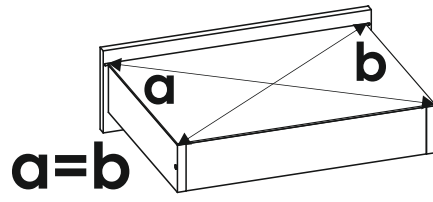
9 ▶



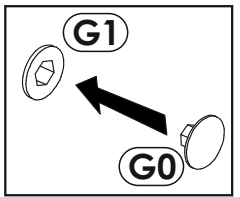
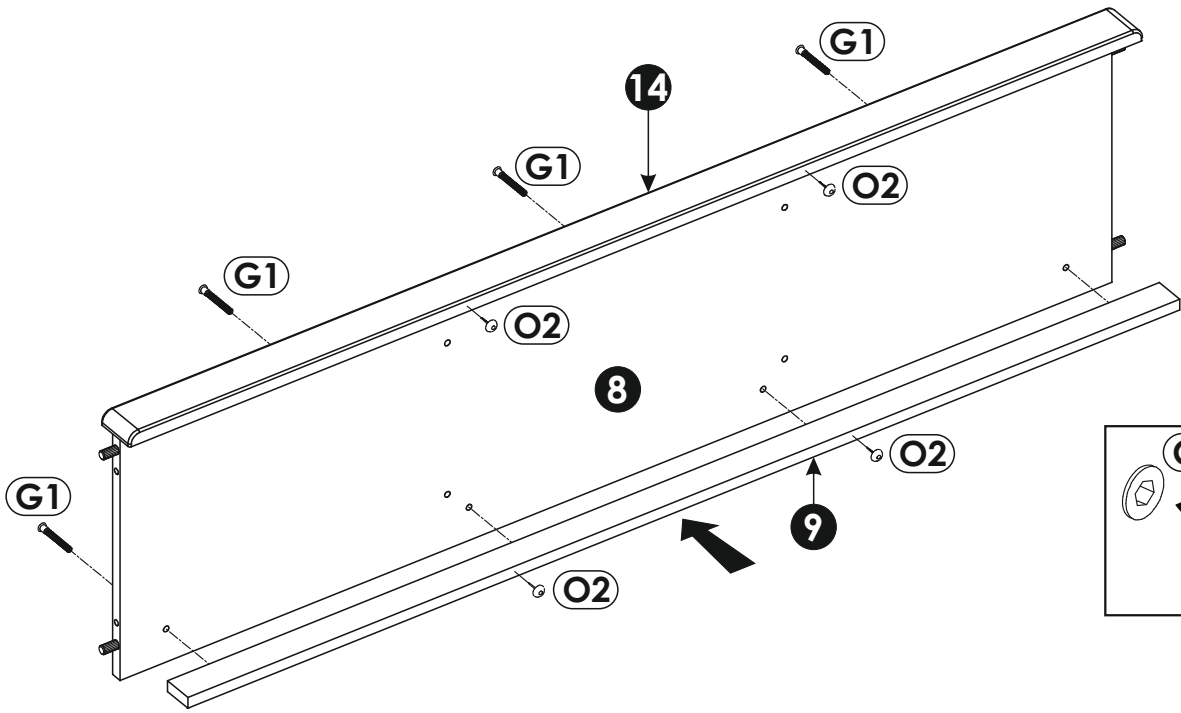
10 ▶



11 ▶

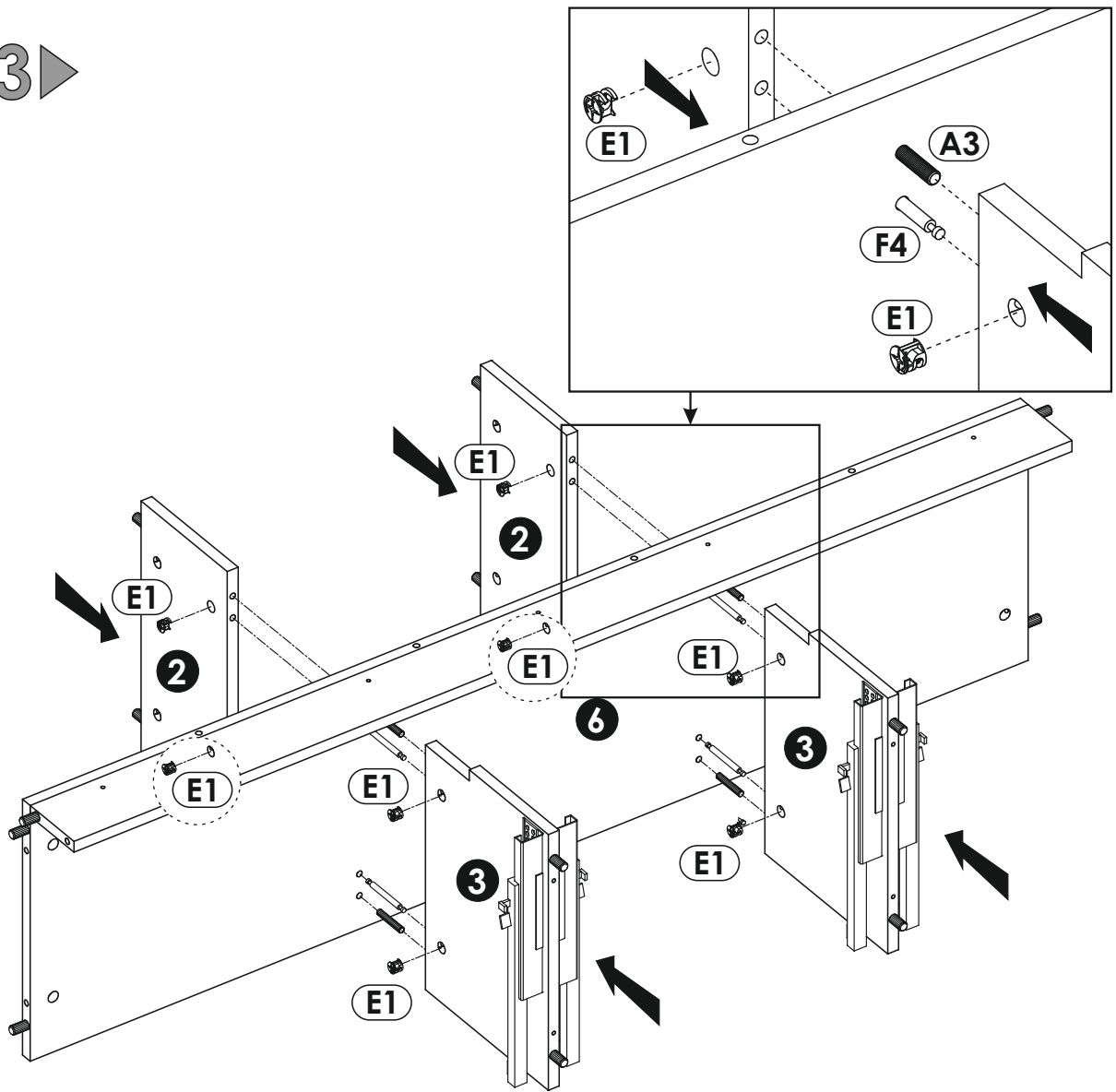


12 ▶

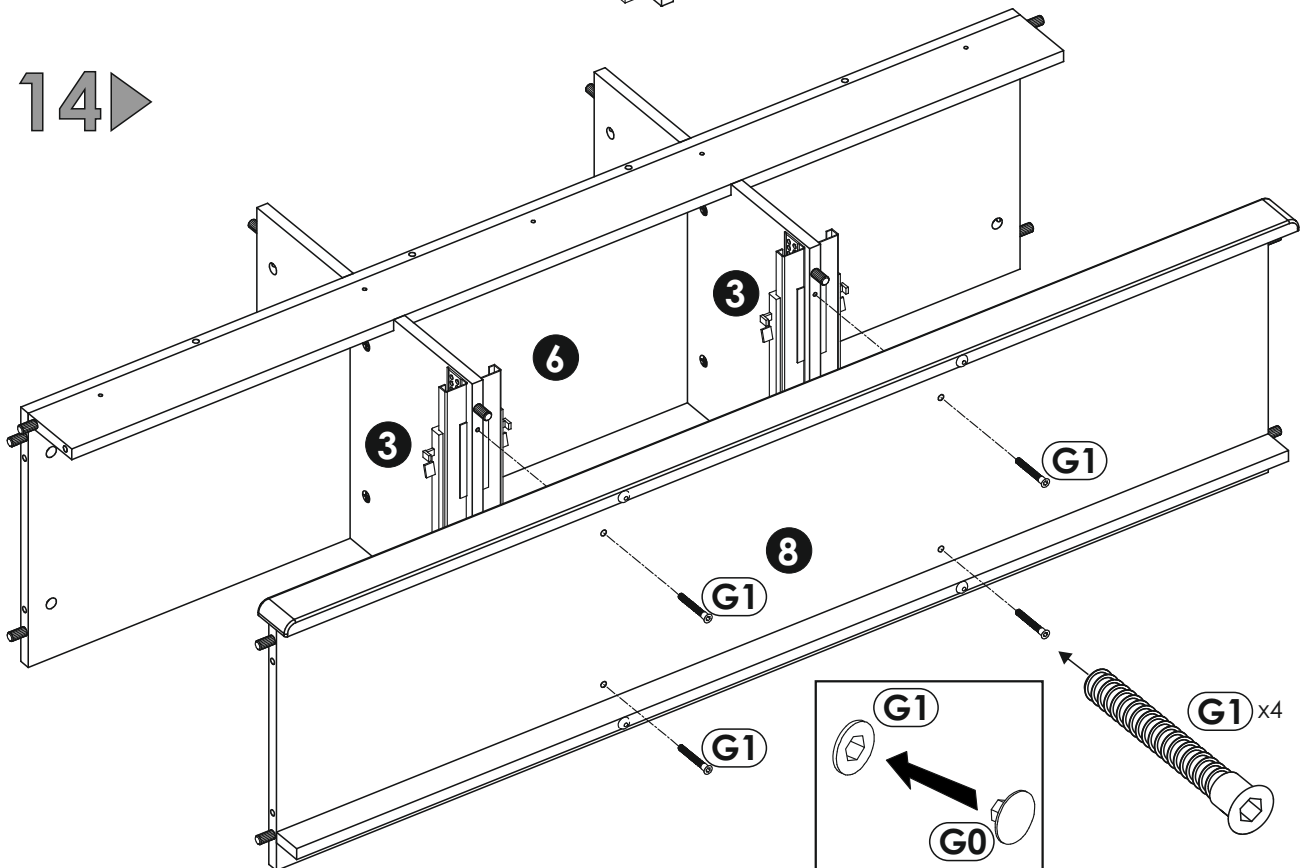




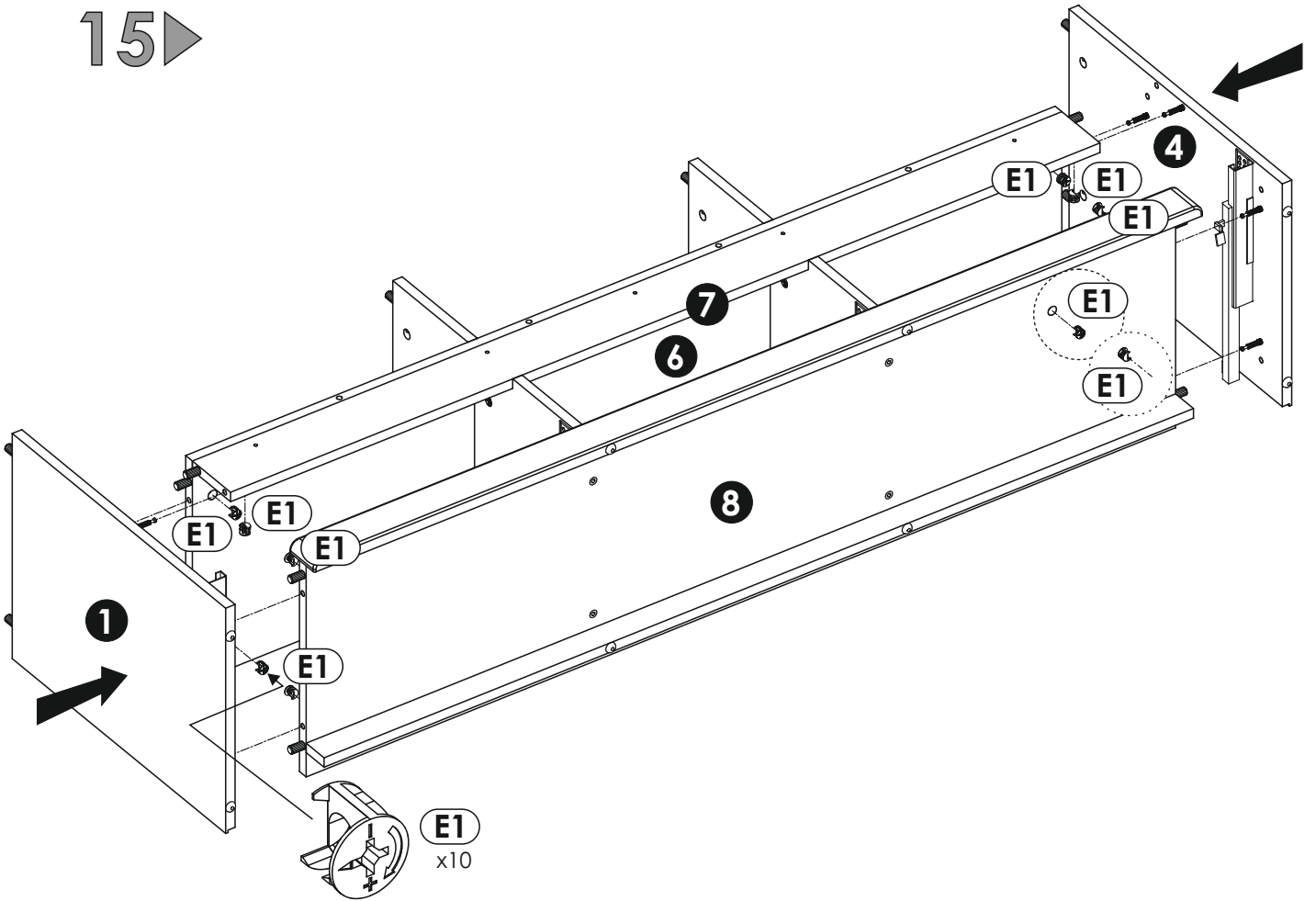
13▶



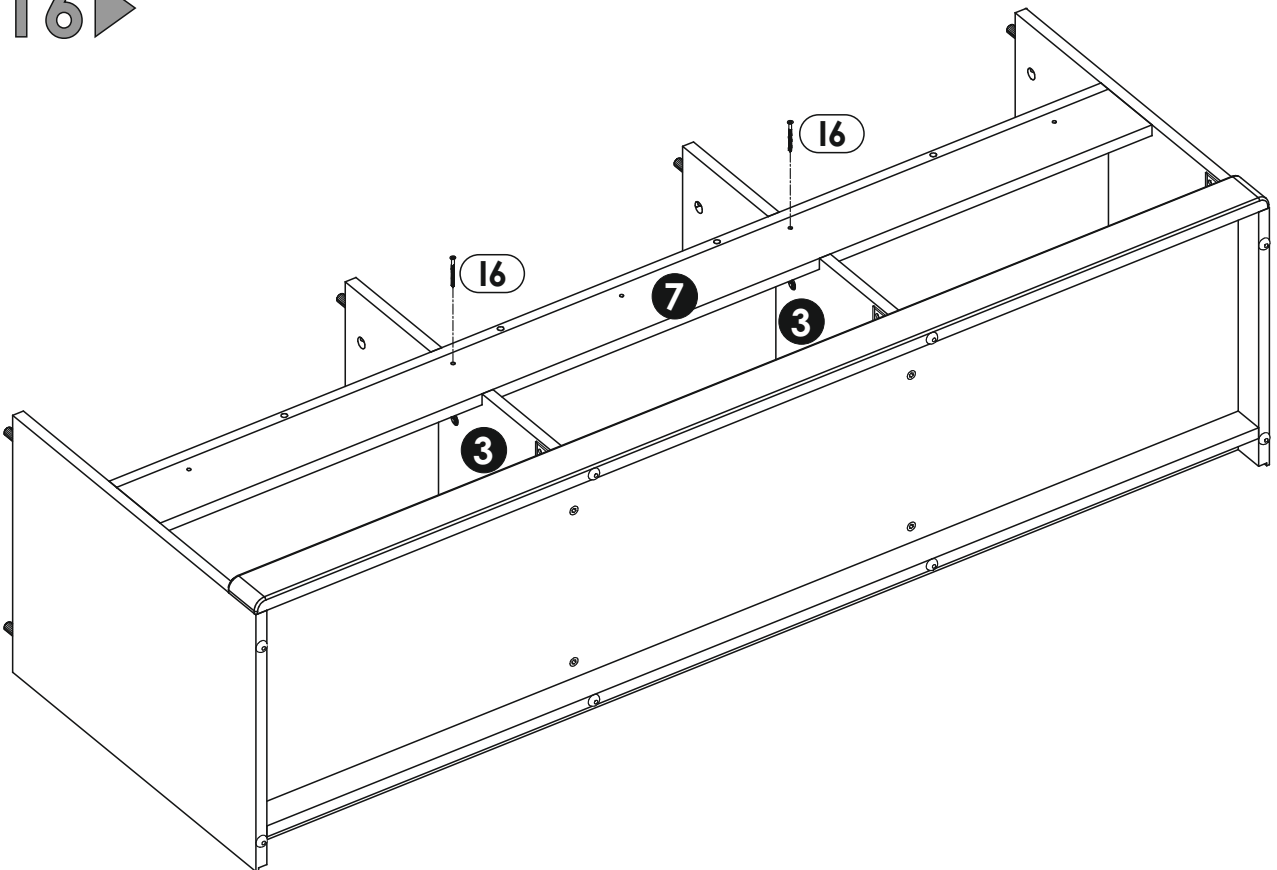
14▶



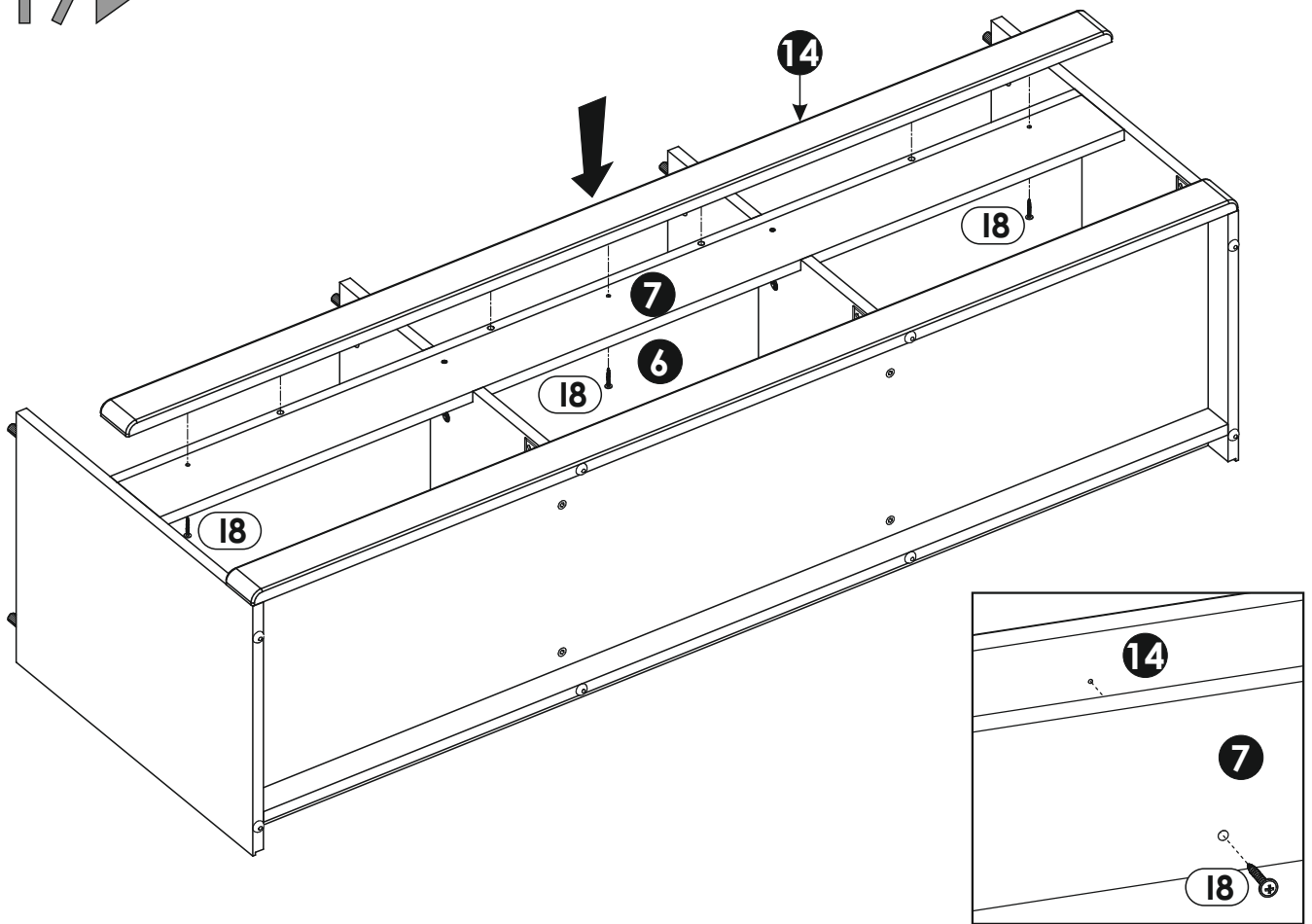
15 ▶



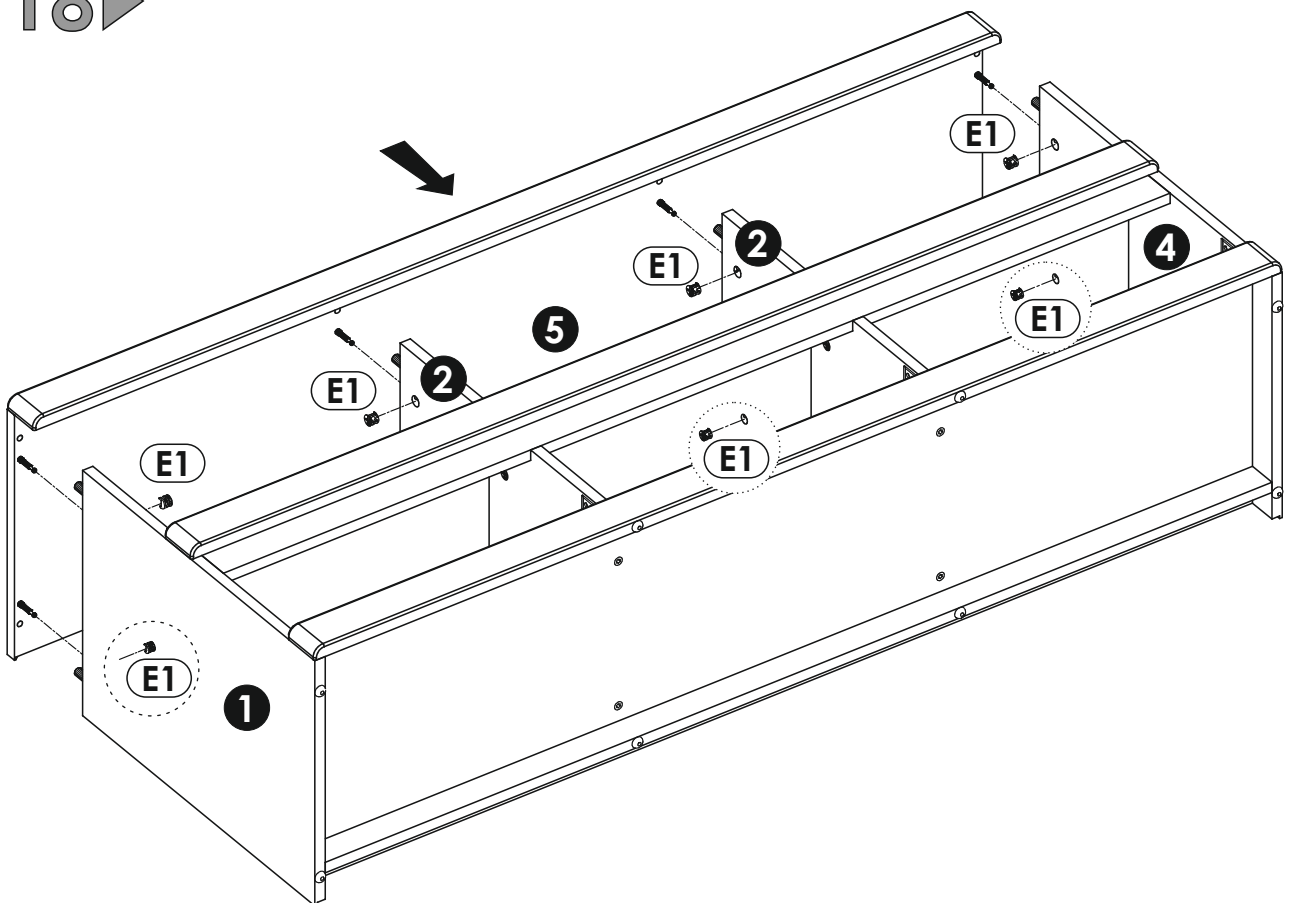
16 ▶



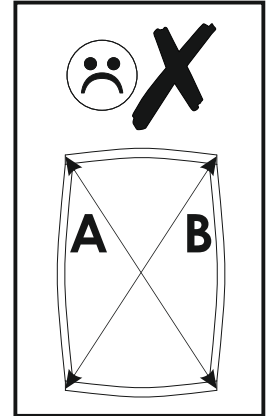
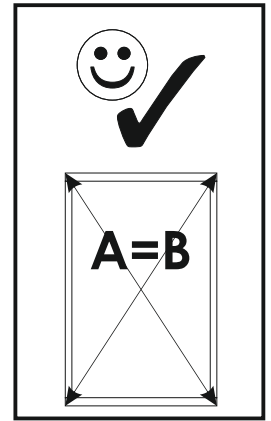
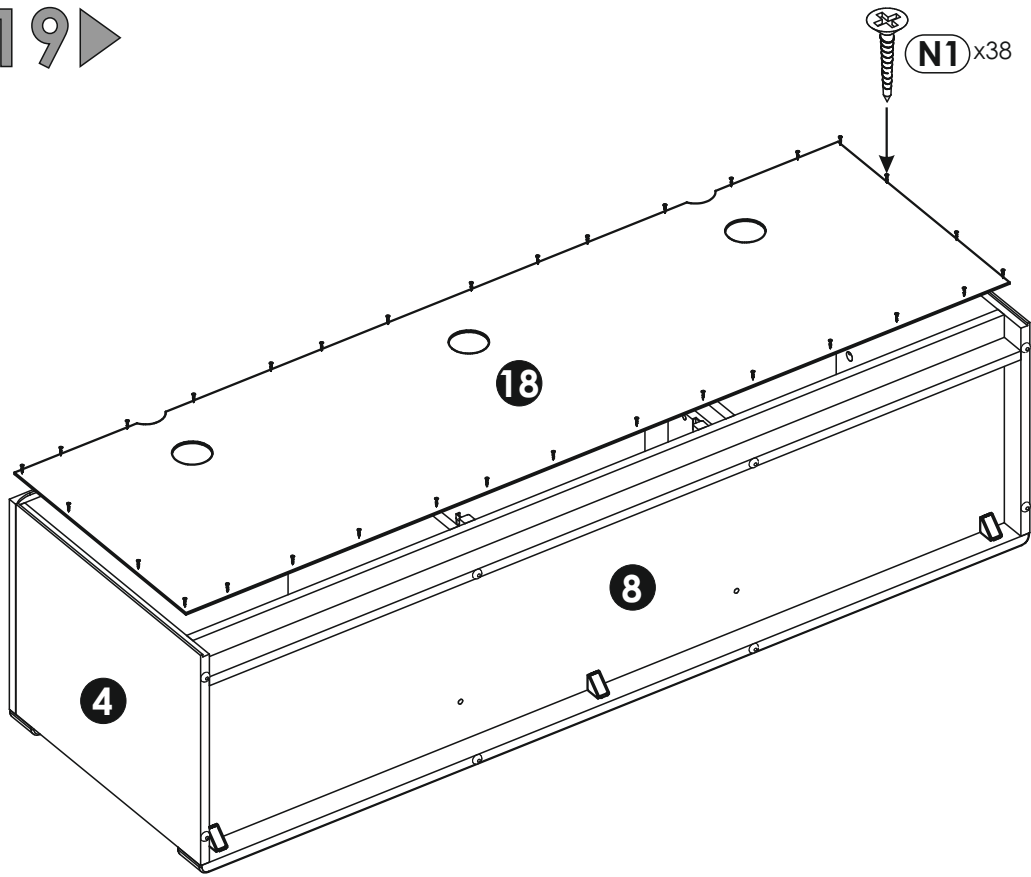
17▶



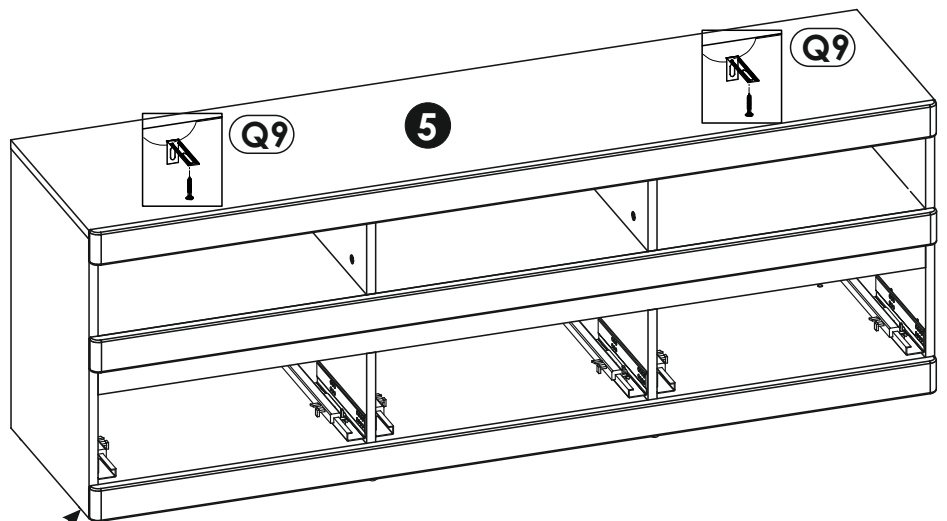
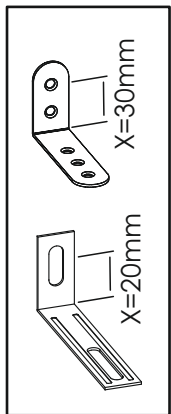
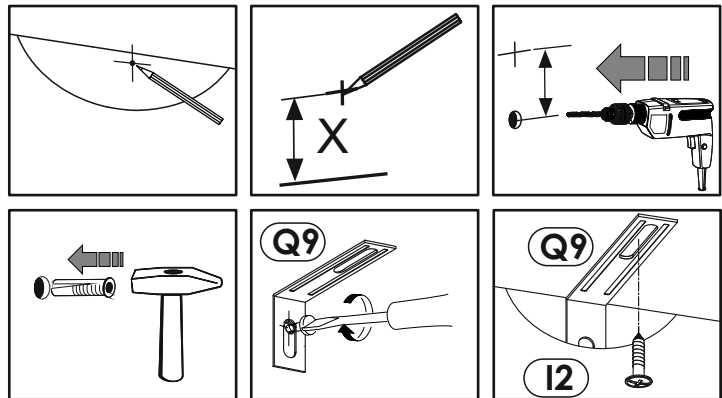
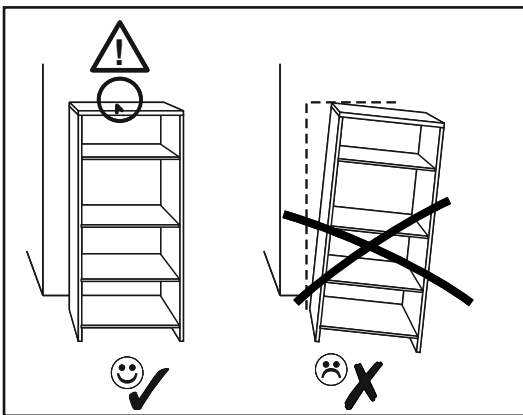
18▶



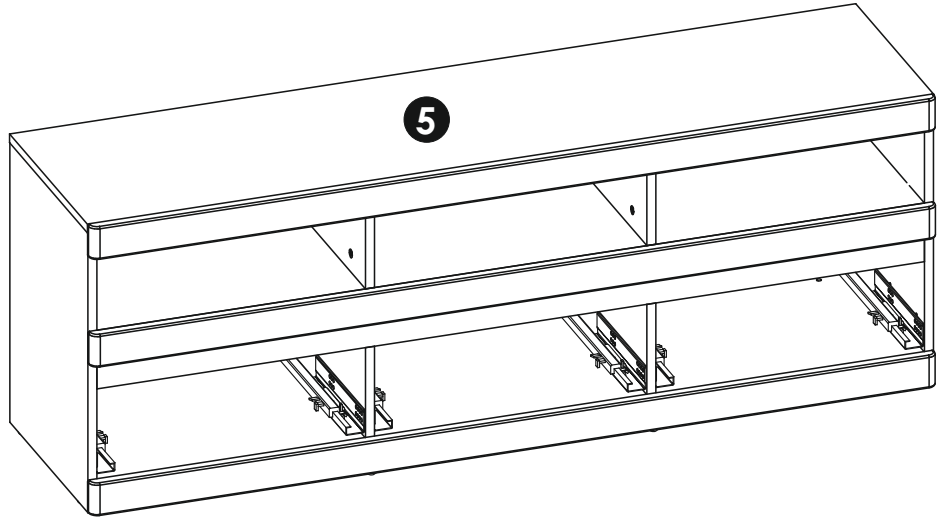
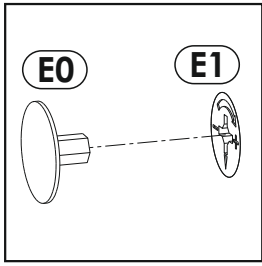
19 ▶



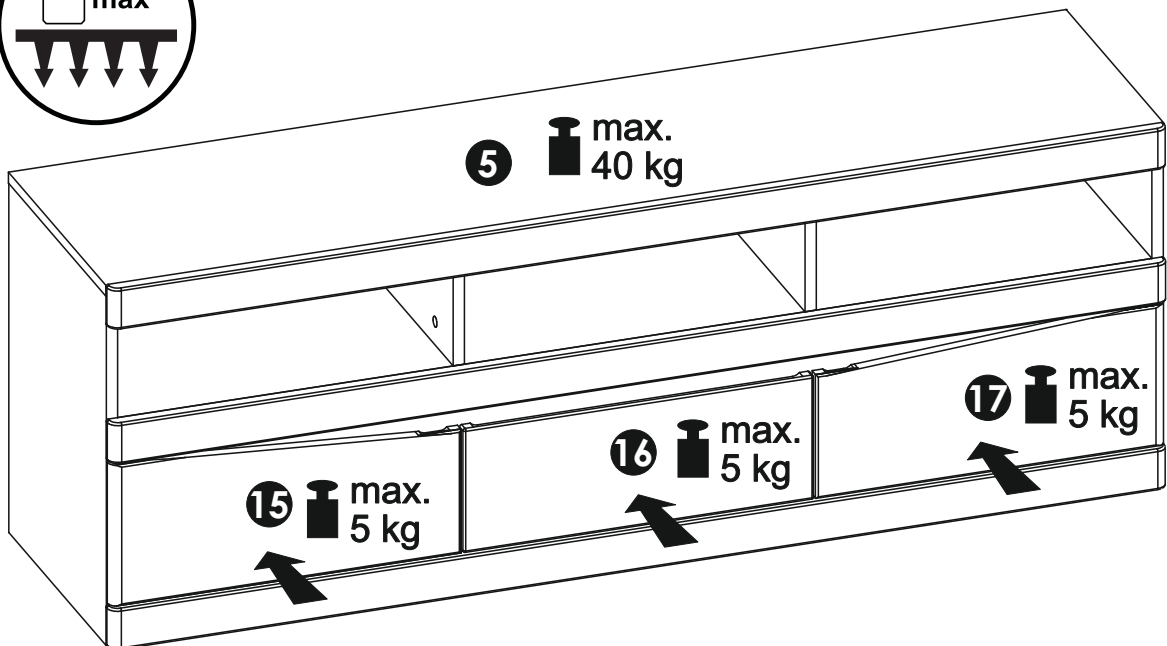
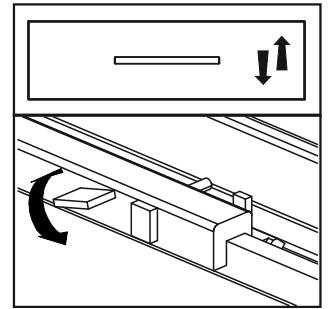
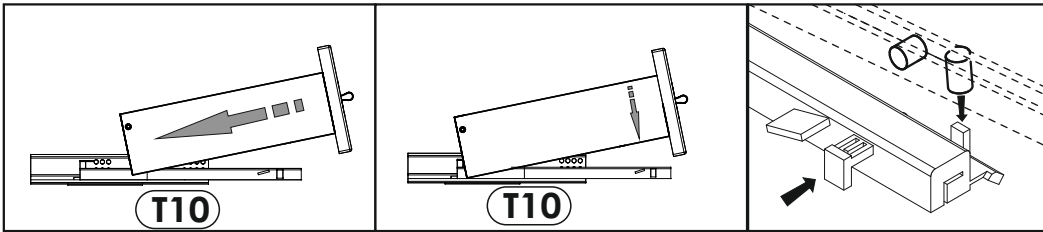
20 ▶

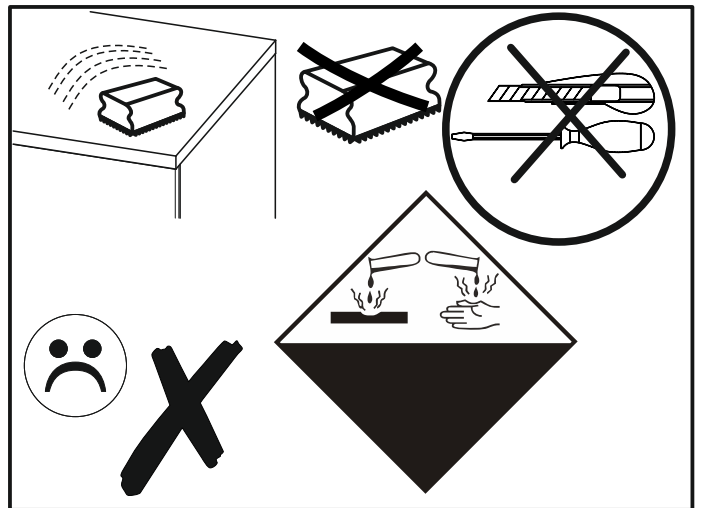
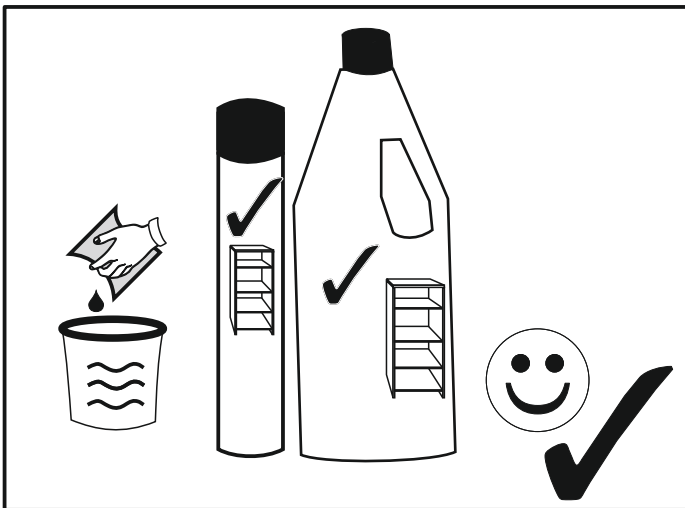
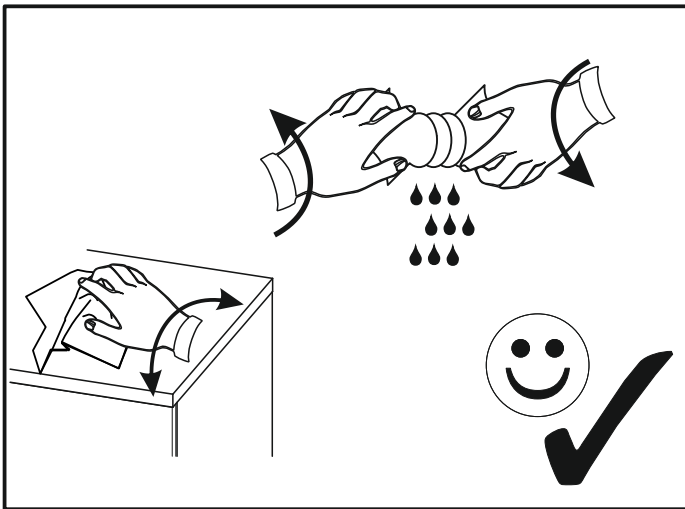
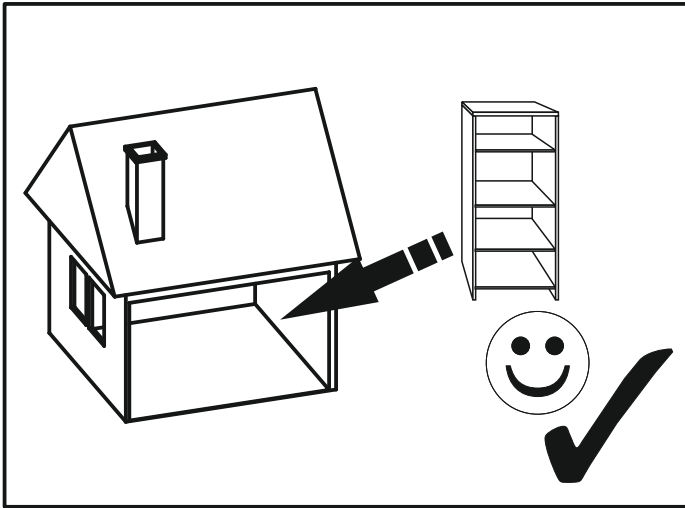


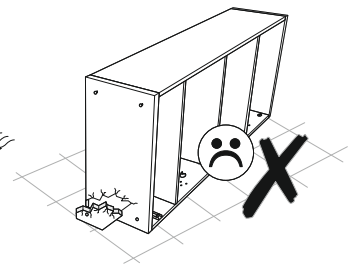
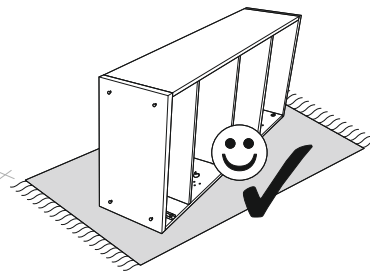
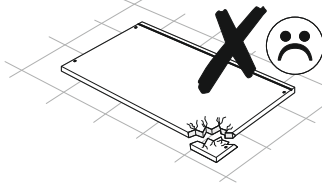
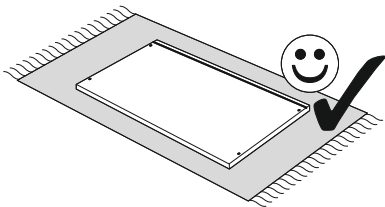
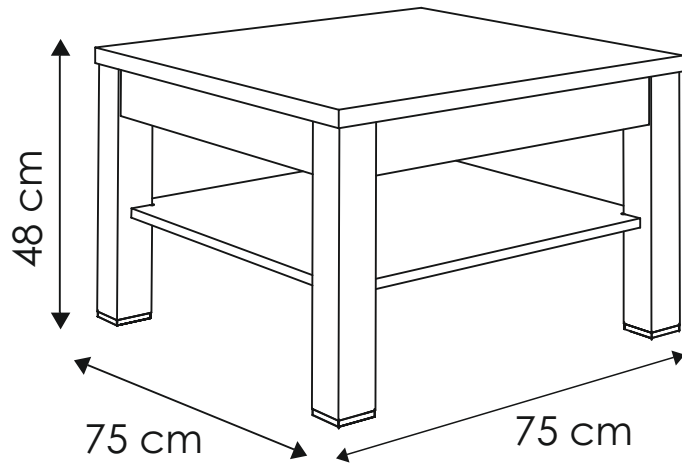
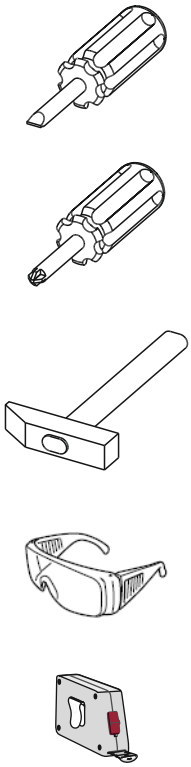
# 21▶

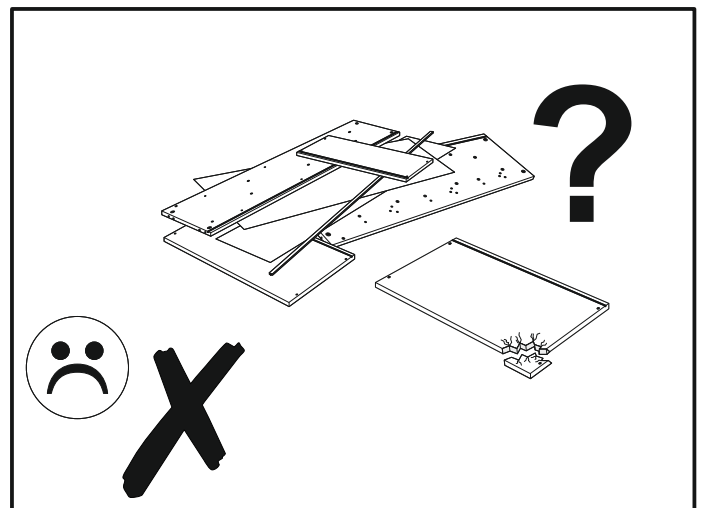
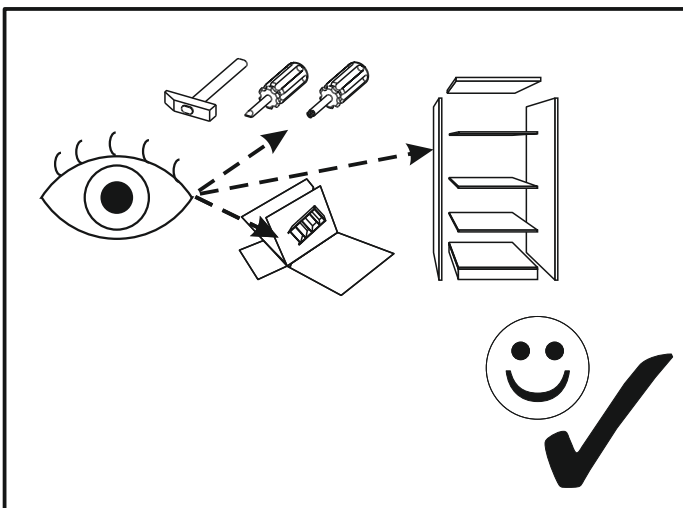
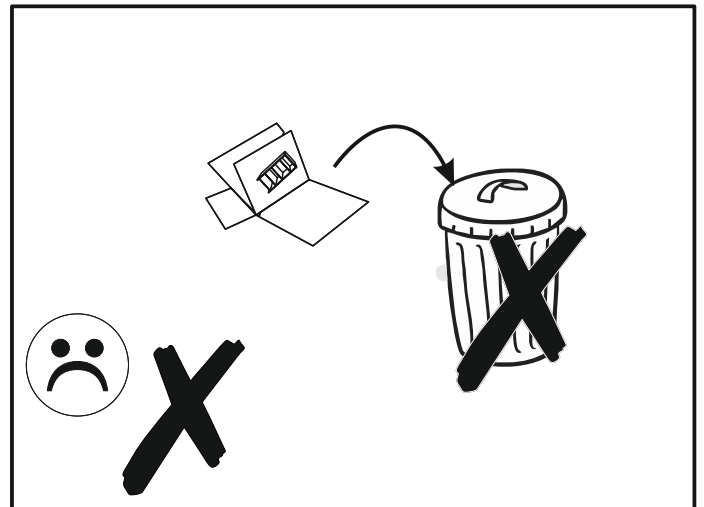
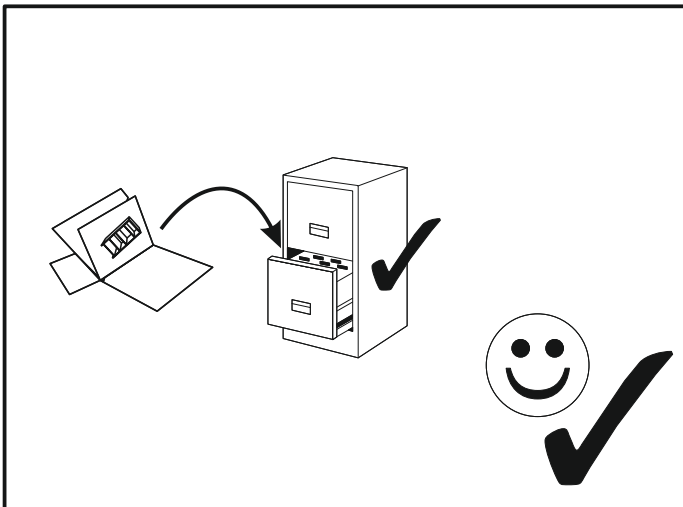
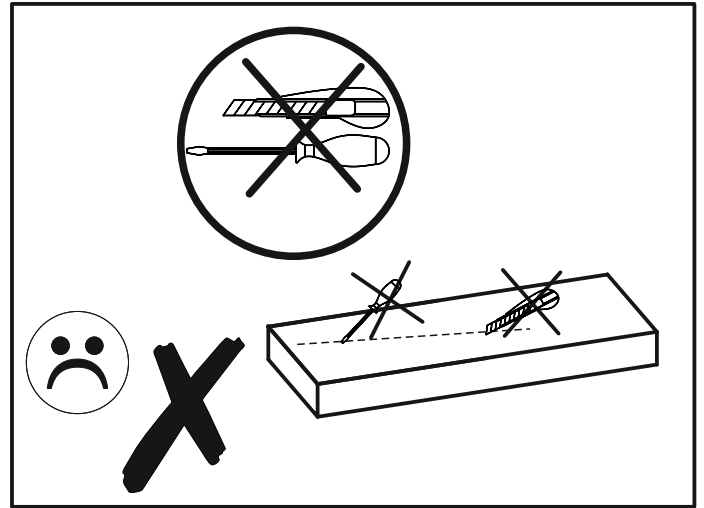
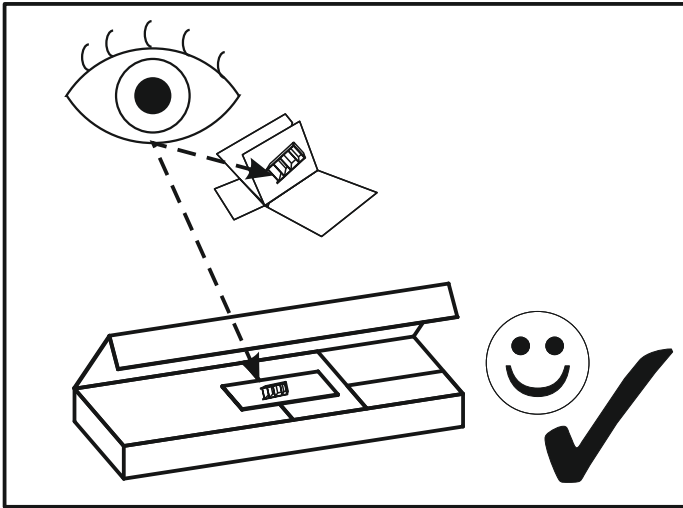


# 22▶


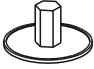

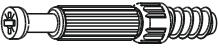


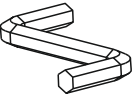
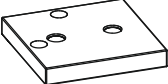



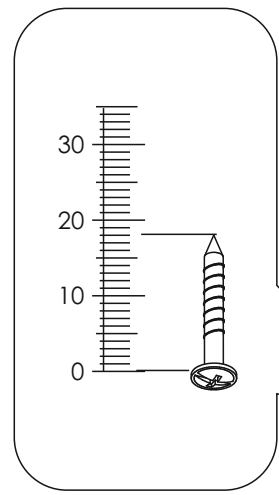
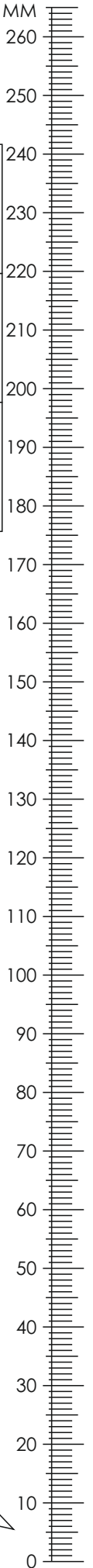


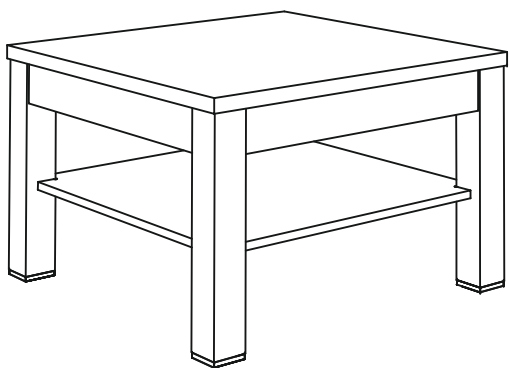




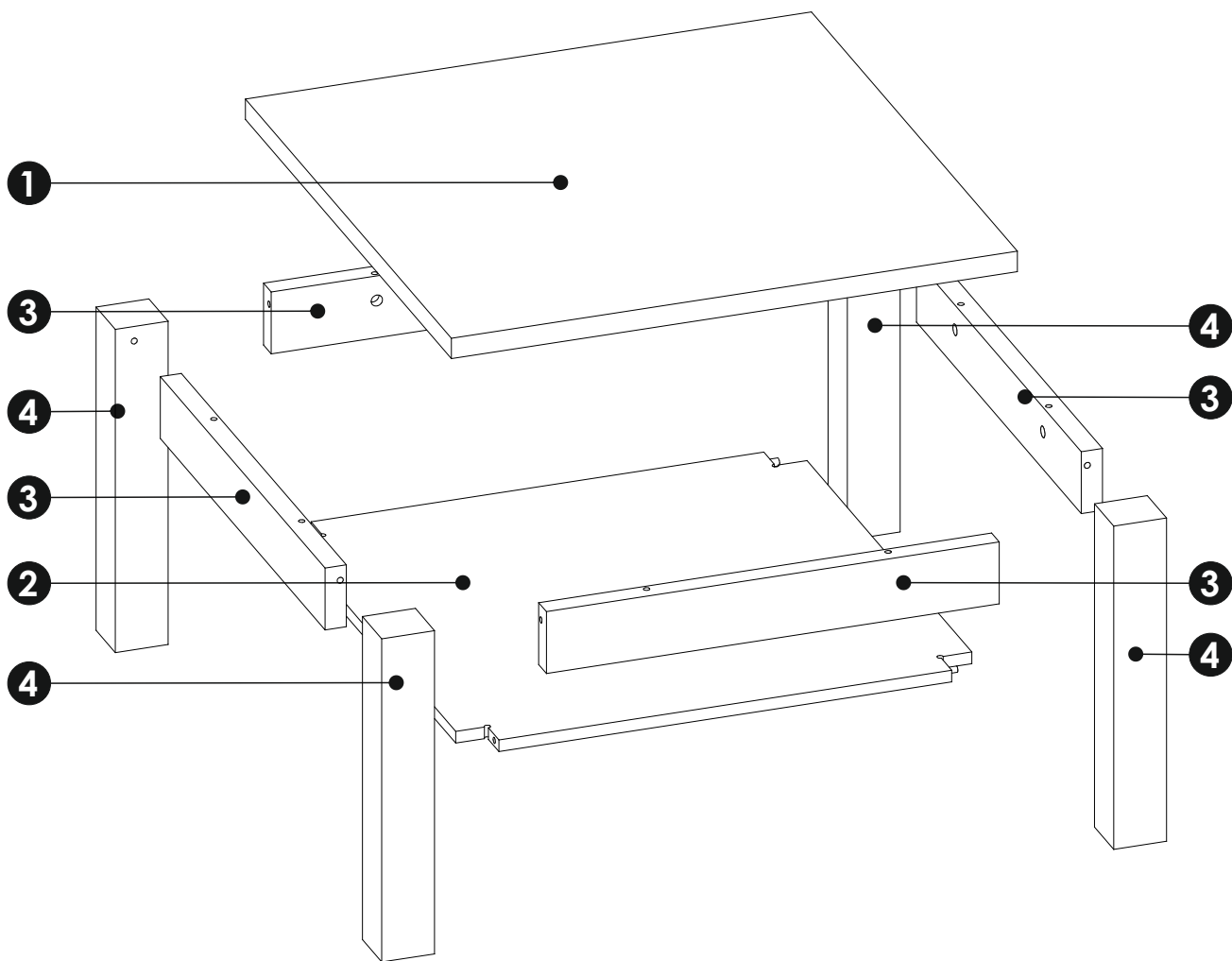


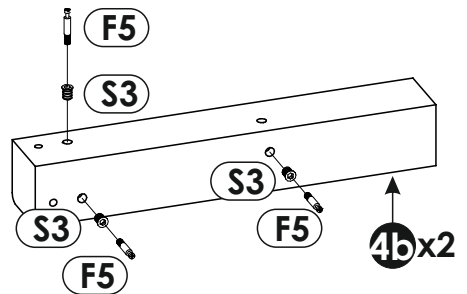
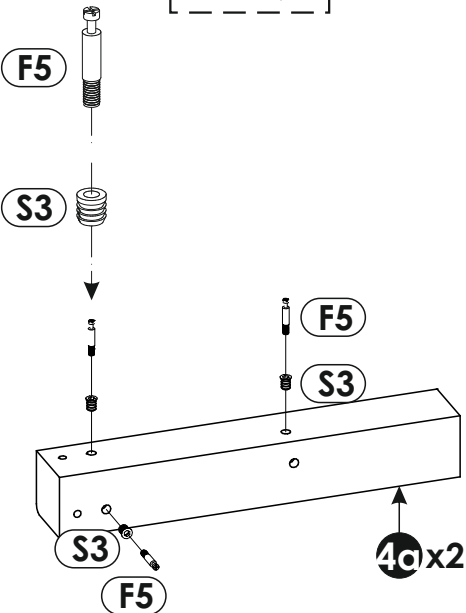
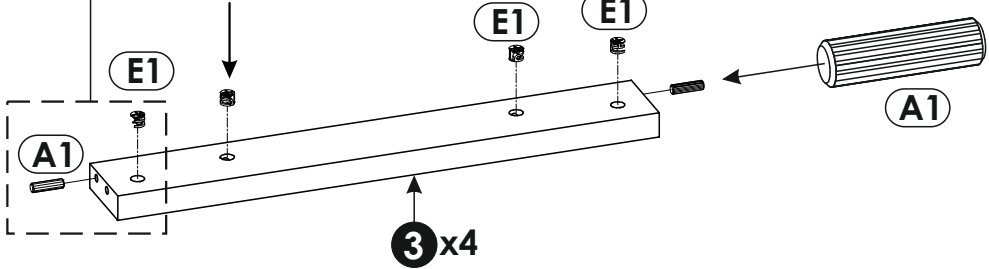
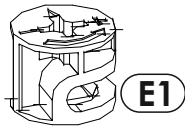
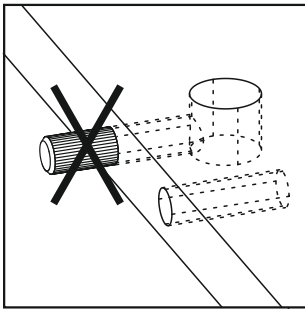
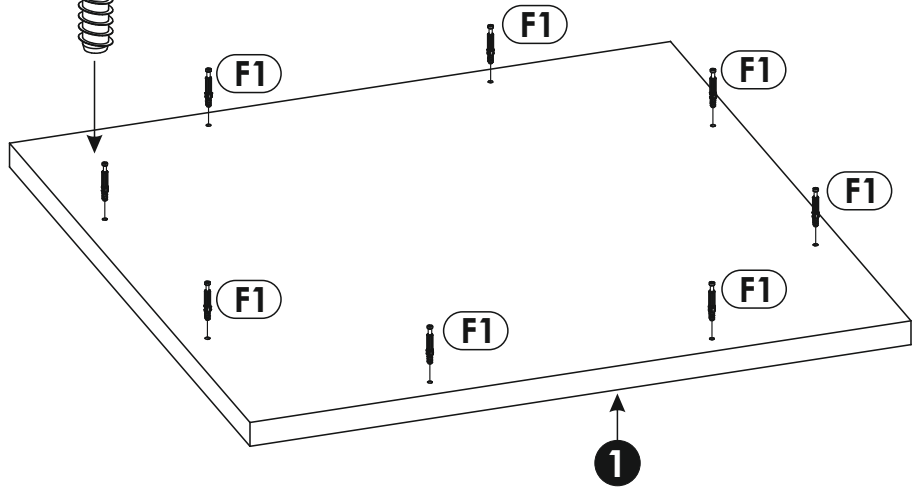
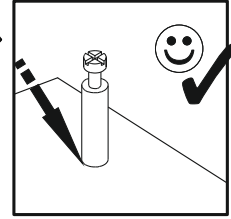
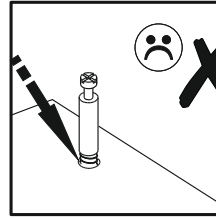
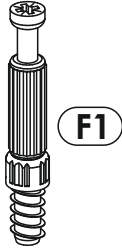
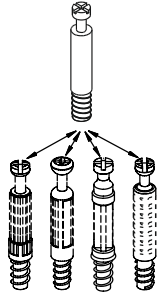
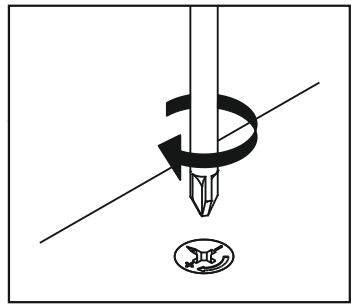
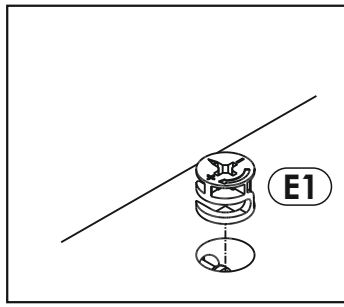
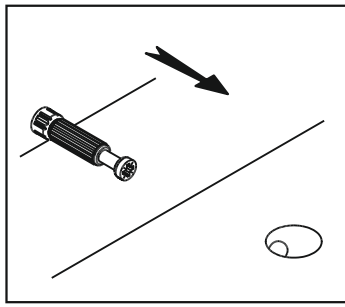
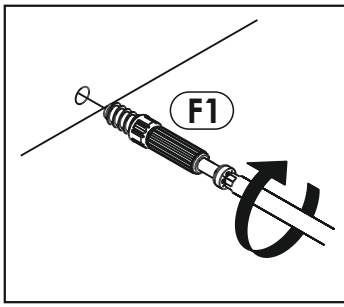
<b>A1</b> x 8 $\varnothing$ 8 x 35 mm 	<b>E0</b> x 20 	<b>E1</b> x 20 $\varnothing$ 15 x 12 mm 
<b>F1</b> x 8 $\varnothing$ 6 x 34 mm 	<b>F5</b> x 12 	<b>I5</b> x 8 3,5 x 30 mm 
<b>M</b> x 1 	<b>O24</b> x 4 	<b>S3</b> x 12 



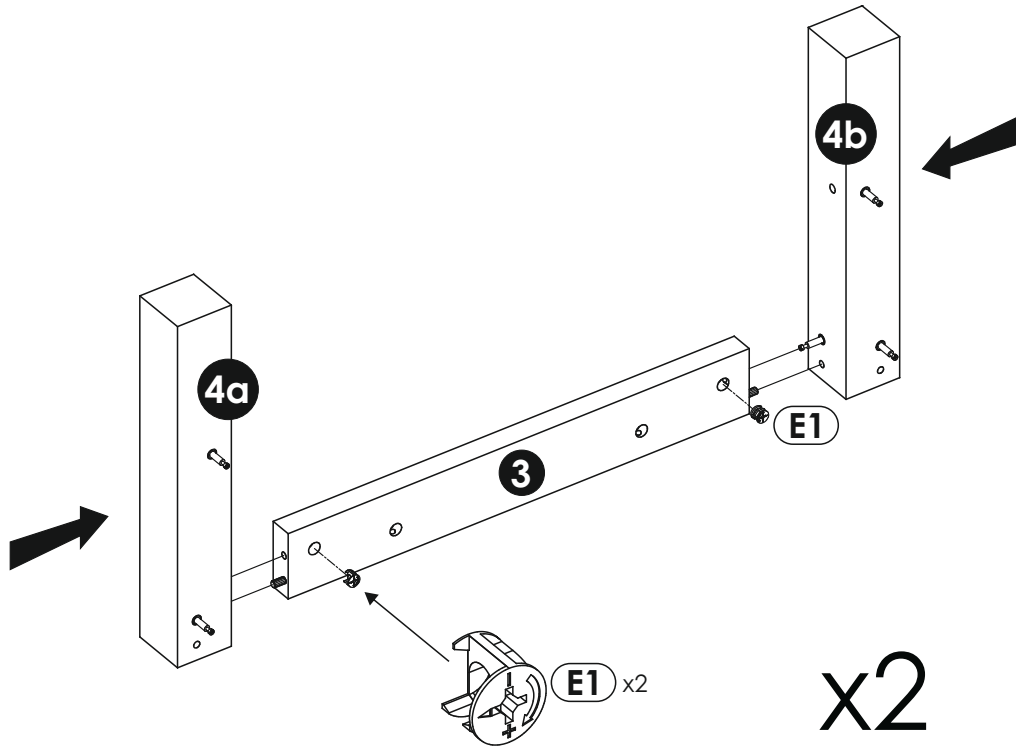


<b>1</b>	750	750	28	x1	2/2
<b>2</b>	684	684	16	x1	2/2
<b>3</b>	600	85	28	x4	1/2
<b>4</b>	444	70	70	x4	1/2

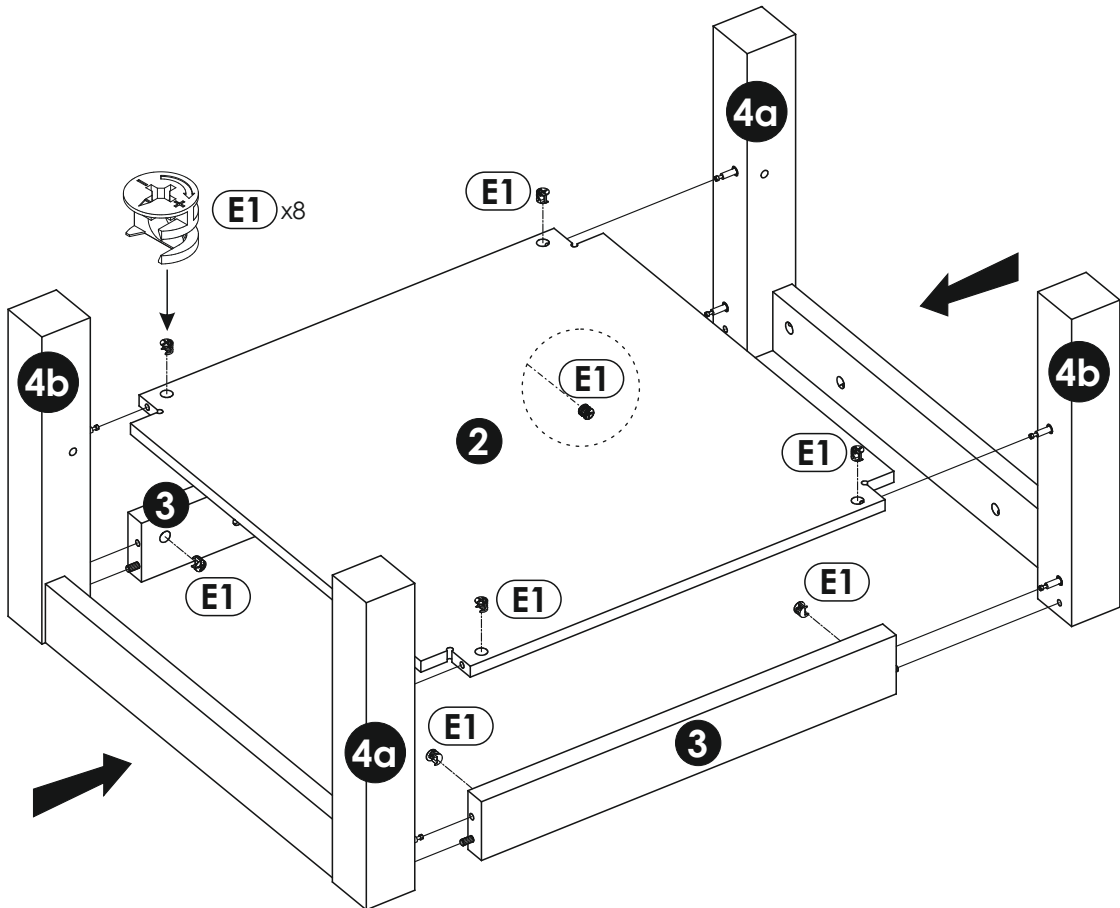




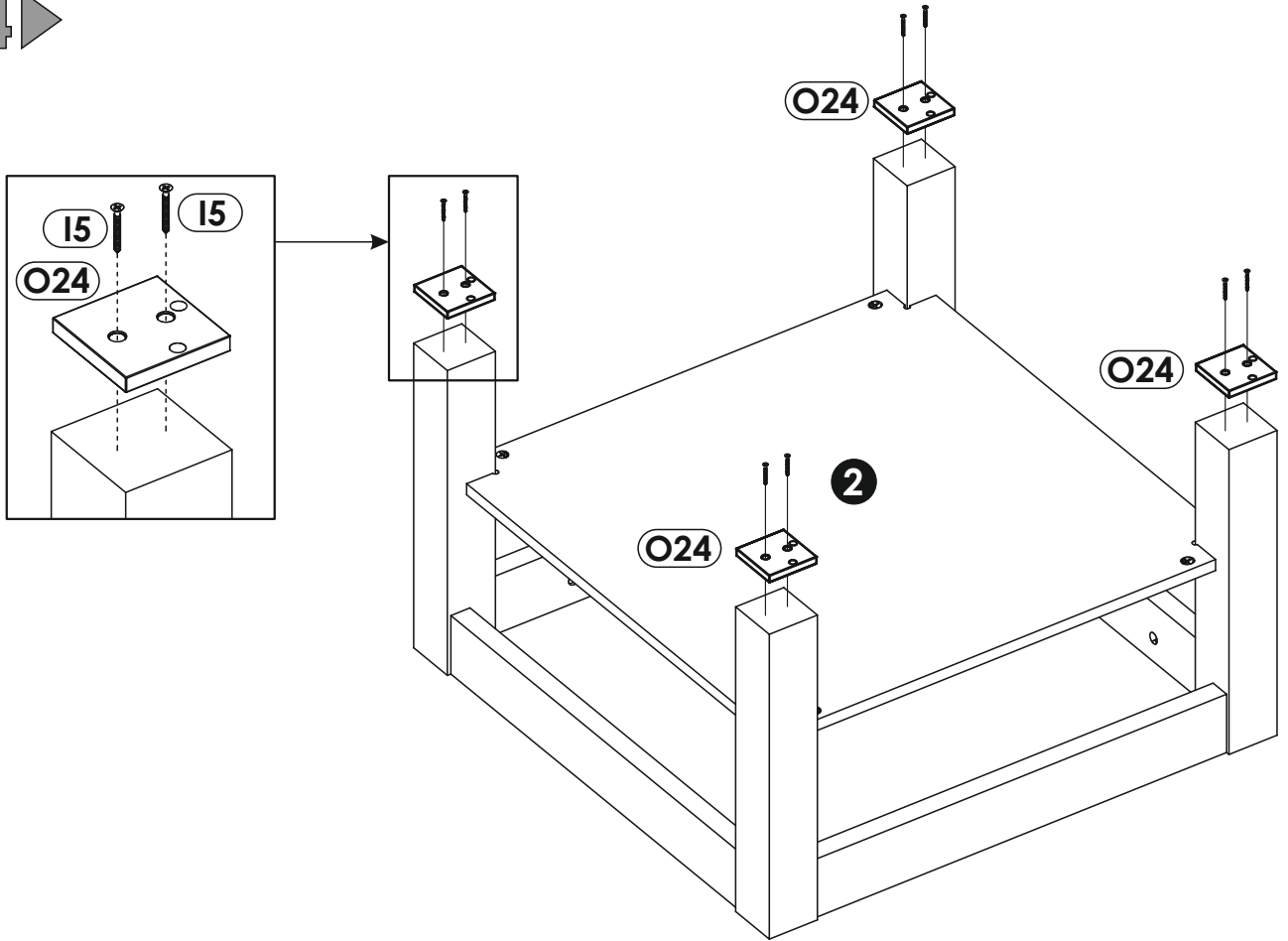
2 ▶



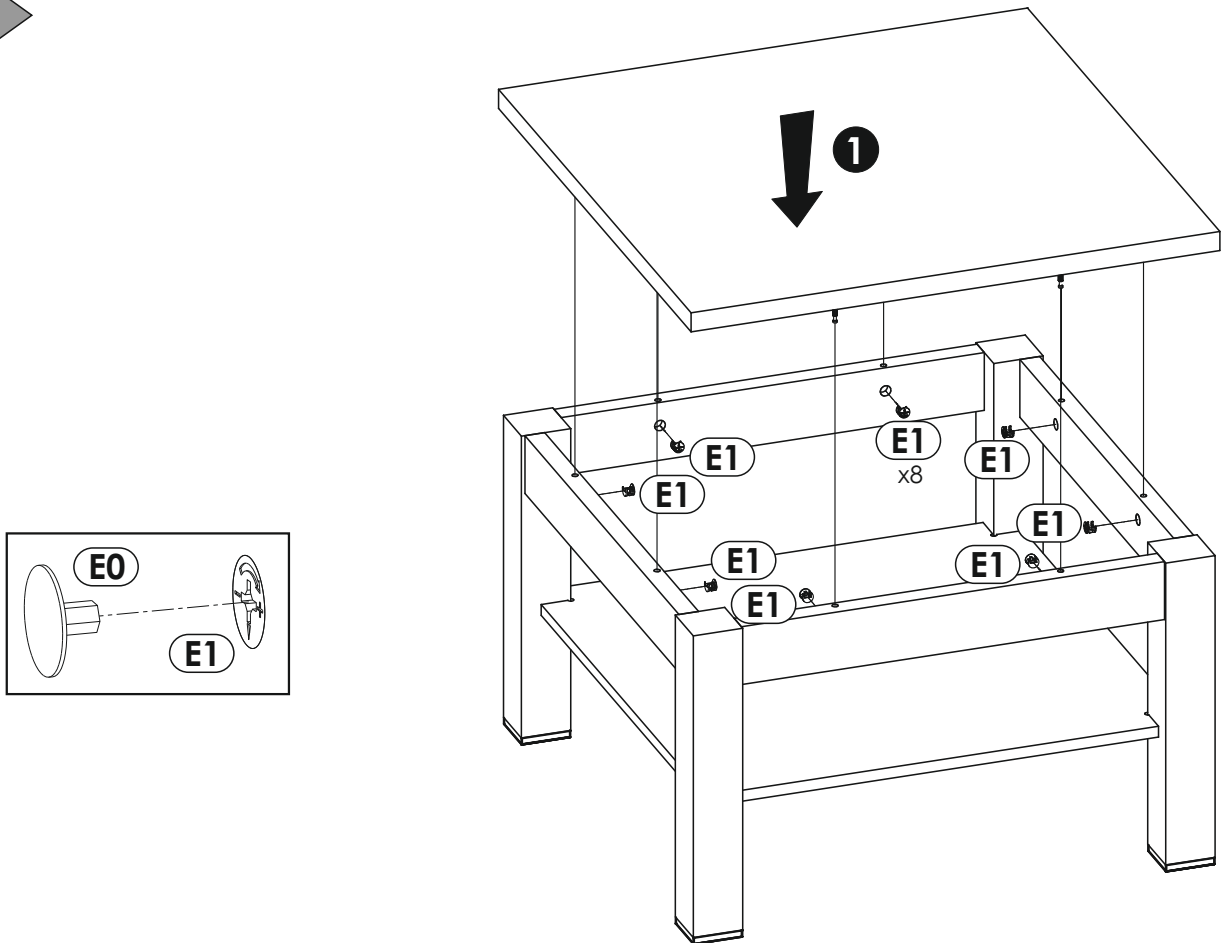
3 ▶



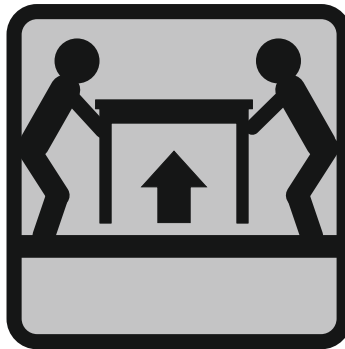
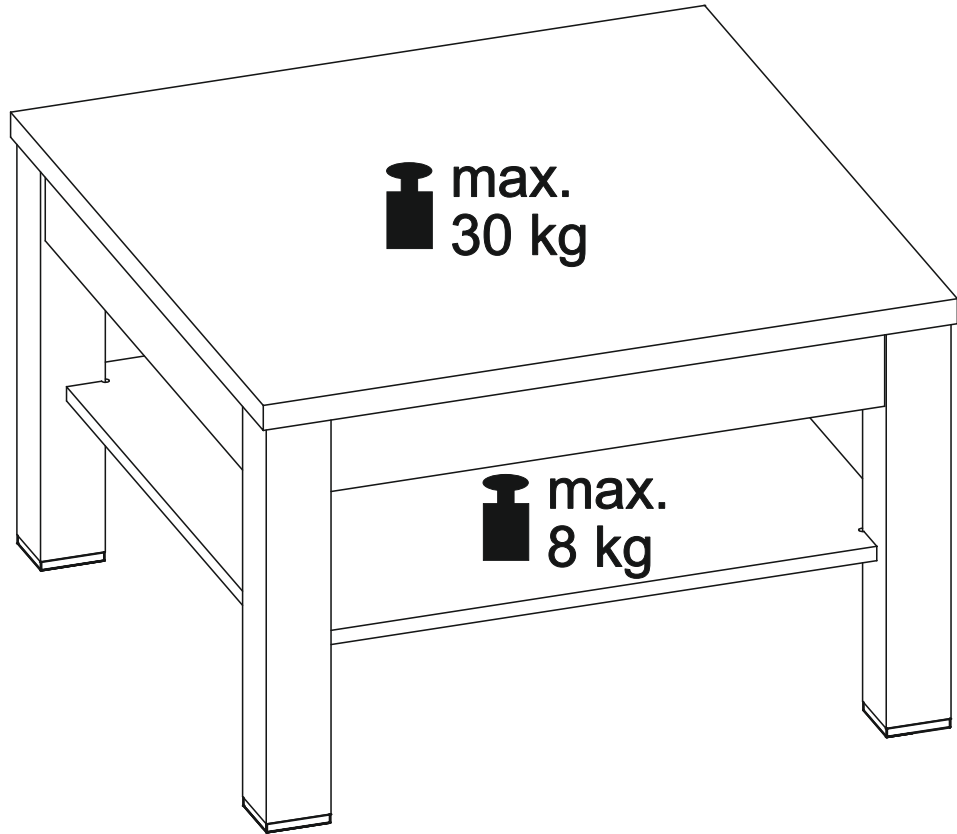
4 ▶

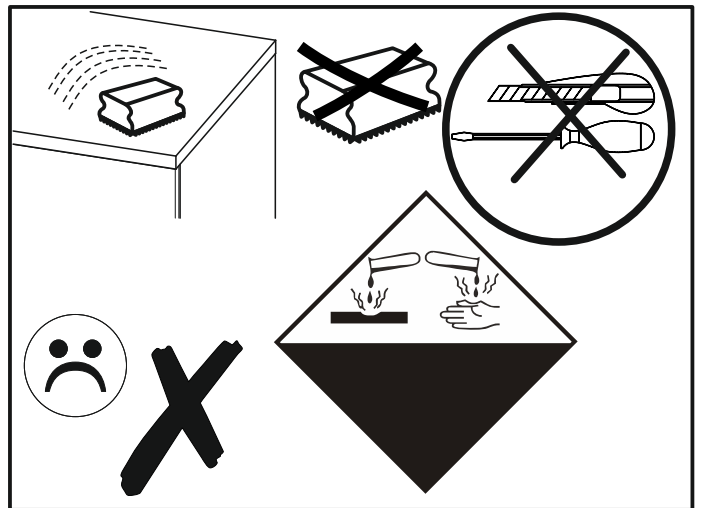
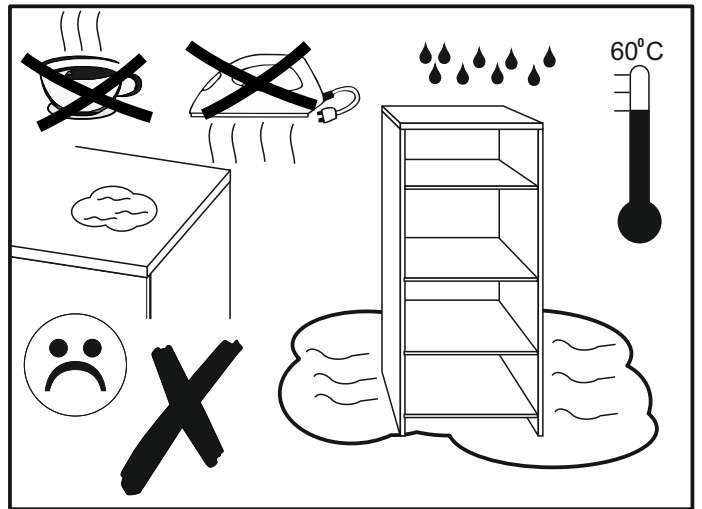
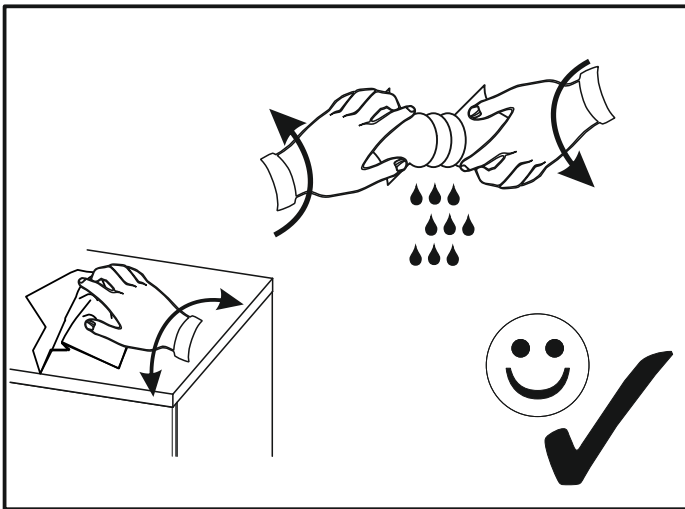


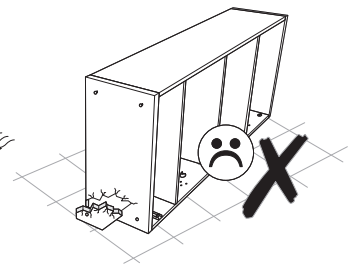
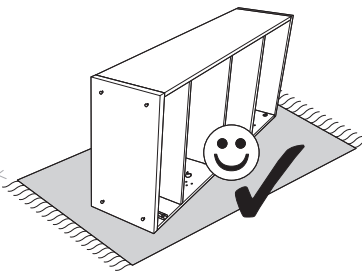
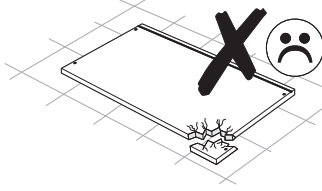
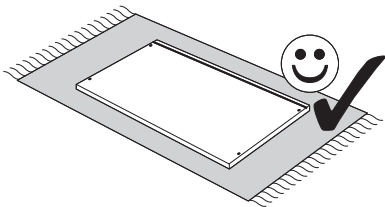
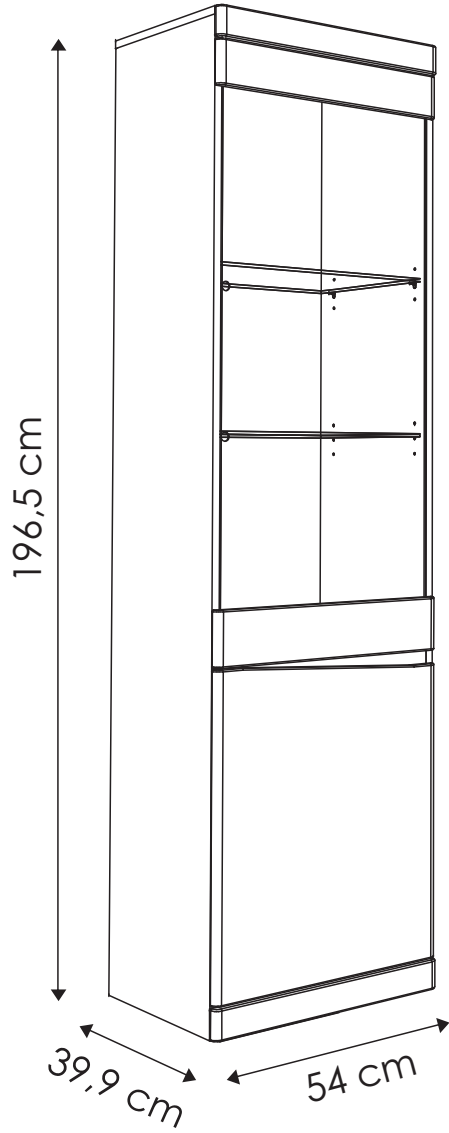
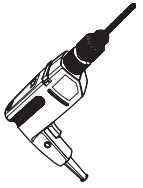
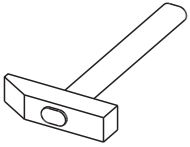
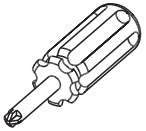
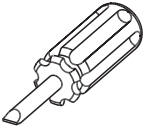
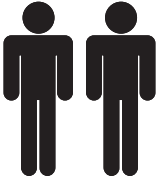
5 ▶



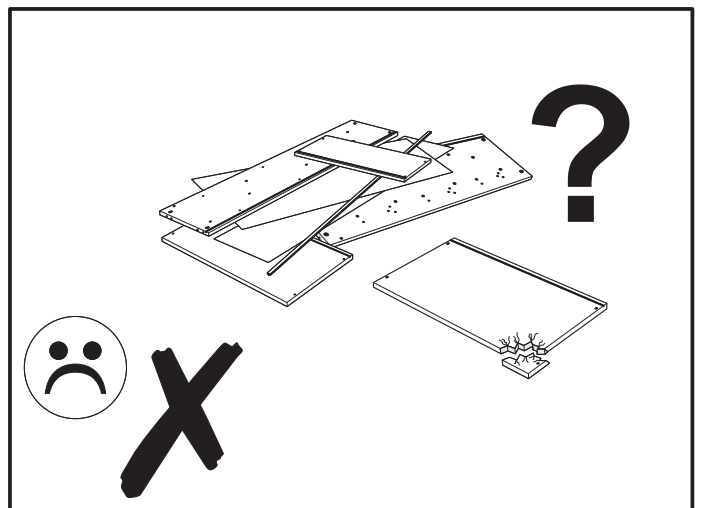
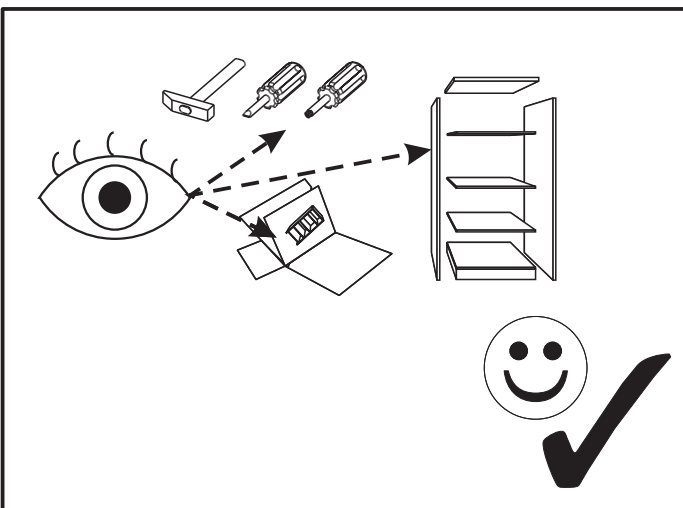
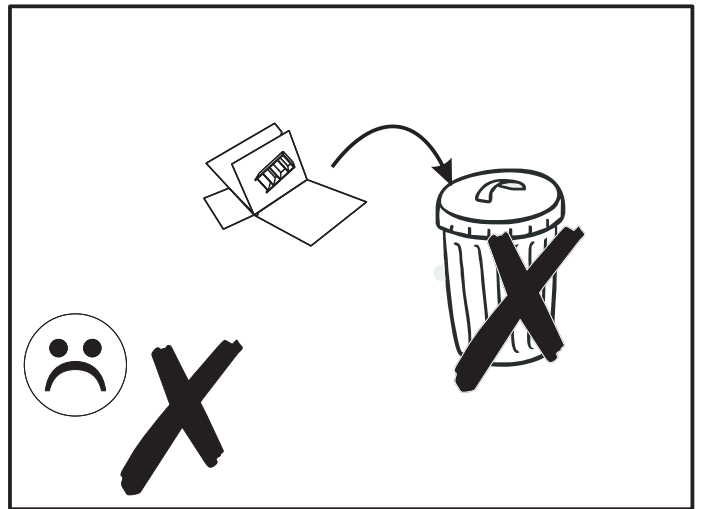
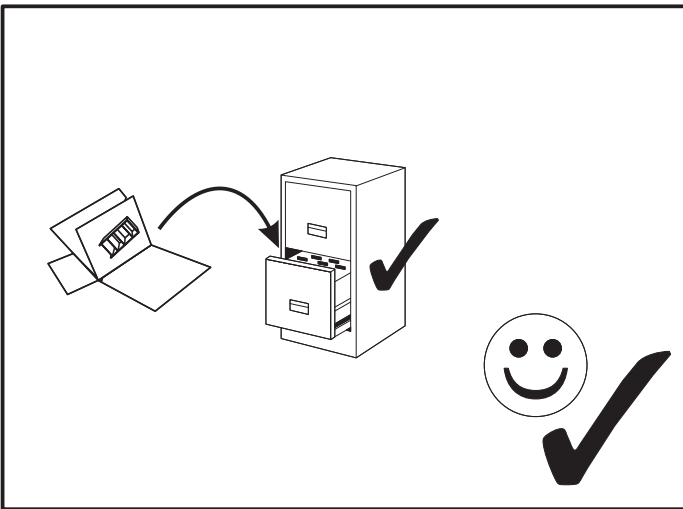
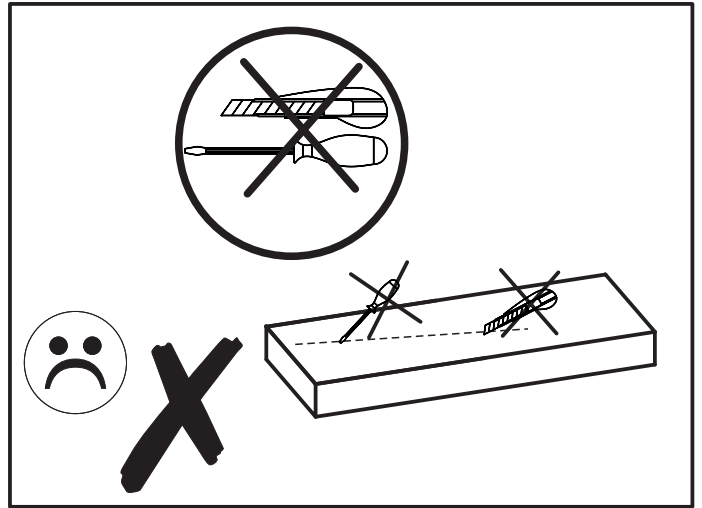
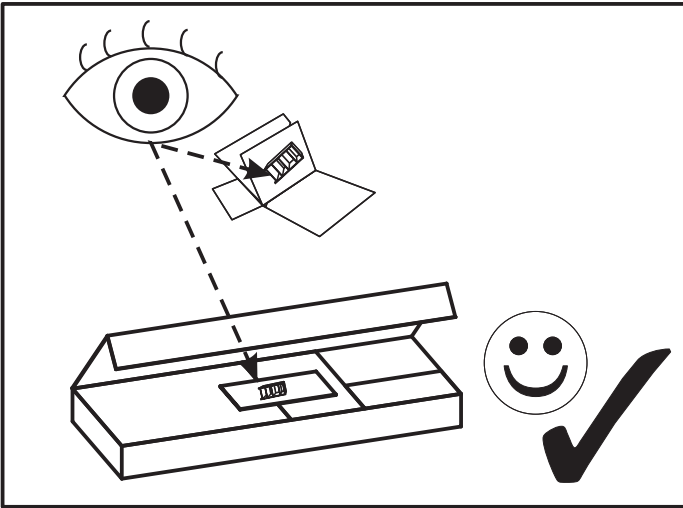
6 ▶











MM

260

250

240

230

220

210

200

190

180

170

160

150

140

130

120

110

100

90

80

70

60

50


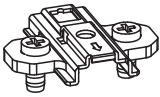
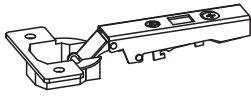

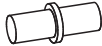





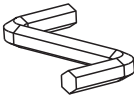





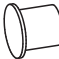

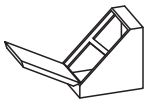
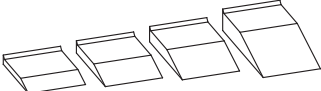
40

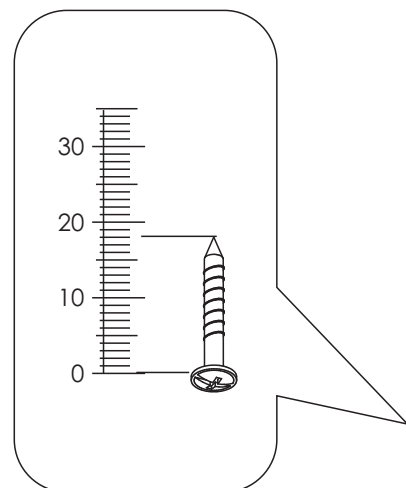
30

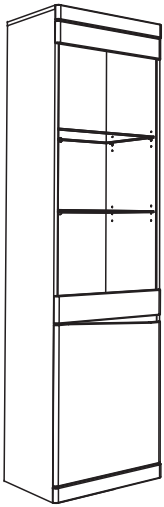
20

10

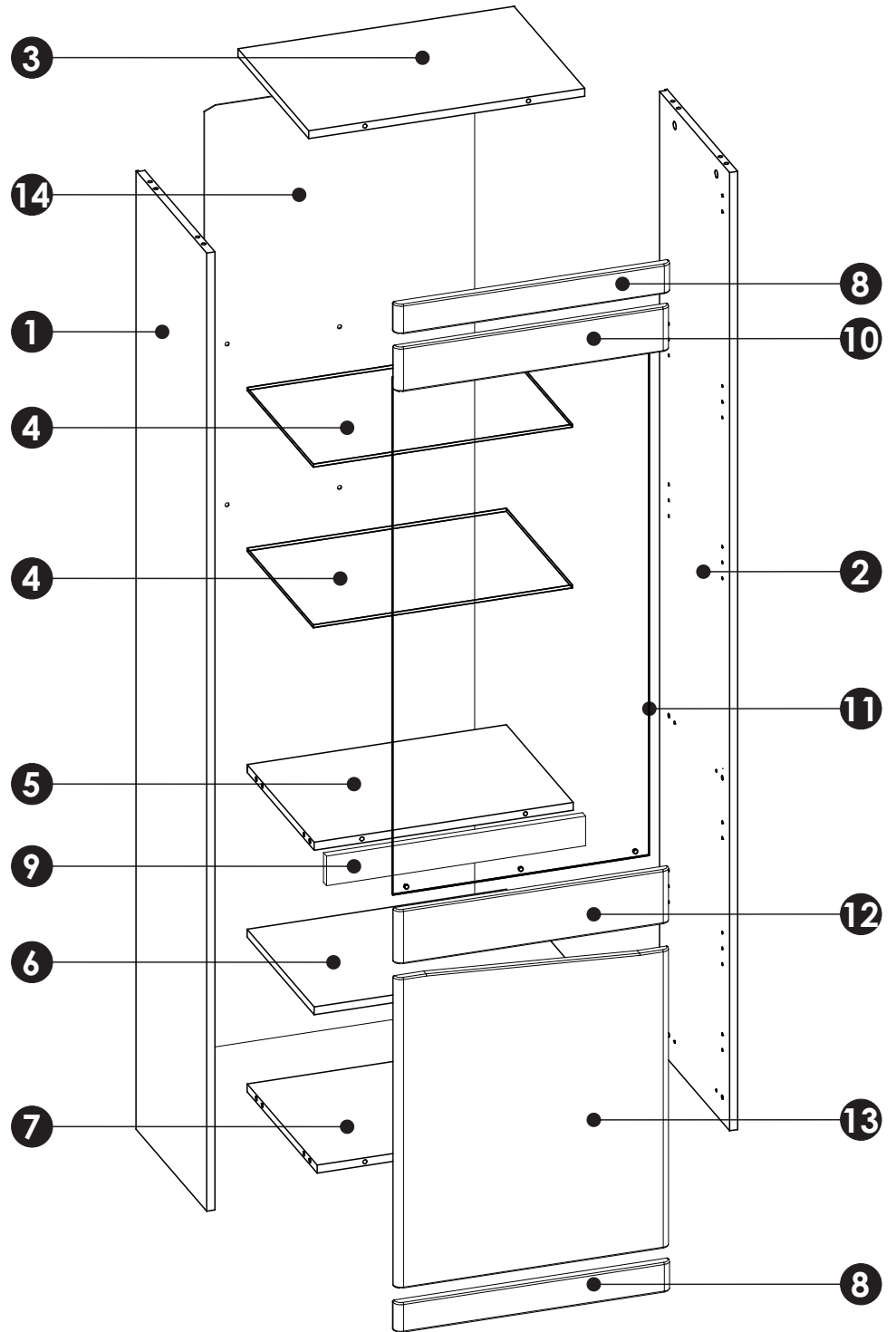
0

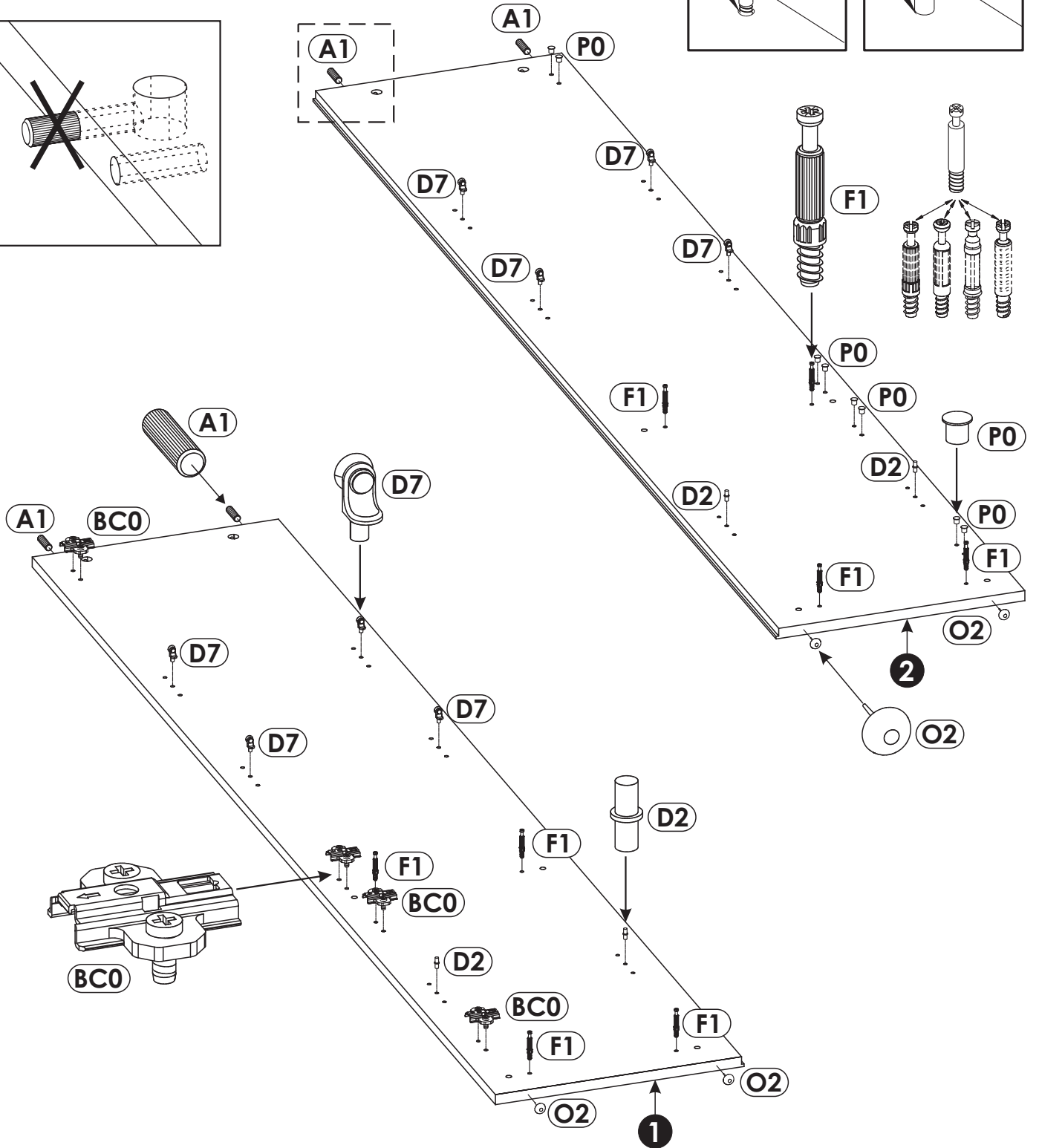
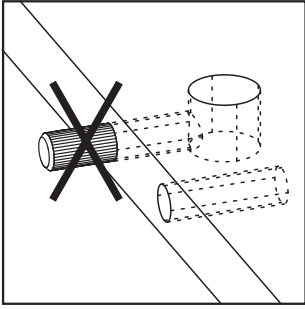
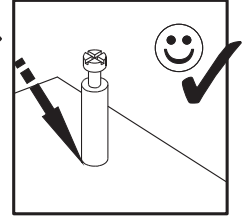
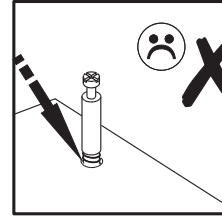
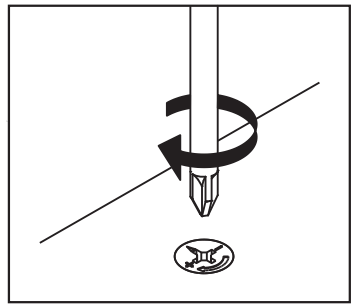
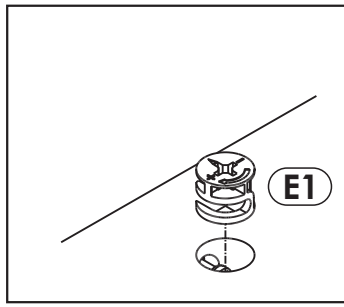
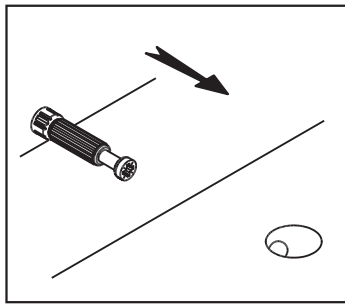
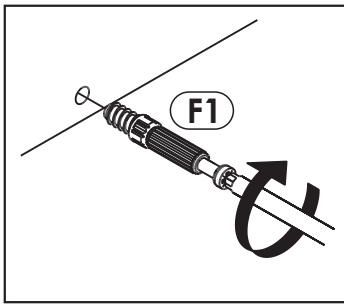
<p><b>A1</b> x 18 <math>\varnothing</math>8 x 35 mm</p> 	<p><b>BC0</b> x 4</p> 	<p><b>BC1</b> x 4</p> 
<p><b>C1</b> x 8 EURO 4 x 13 mm</p> 	<p><b>D2</b> x 4</p> 	<p><b>D7</b> x 8</p> 
<p><b>E0</b> x 12</p> 	<p><b>E1</b> x 12 <math>\varnothing</math>15 x 12 mm</p> 	<p><b>F1</b> x 12</p> 
<p><b>I2</b> x 7 4 x 16 mm</p> 	<p><b>M</b> x 1</p> 	<p><b>N1</b> x 40 3 x 16 mm</p> 
<p><b>N2</b> x 12 3,5 x 16 mm</p> 	<p><b>O2</b> x 4</p> 	<p><b>Q9</b> x 1</p> 
<p><b>P0</b> x 8 <math>\varnothing</math>5</p> 	<p><b>P9</b> x 4 <math>\varnothing</math>8</p> 	<p><b>R3</b> x 6</p> 
<p><b>W</b> x 6</p> 	<p><b>Z</b> x 1</p> 	



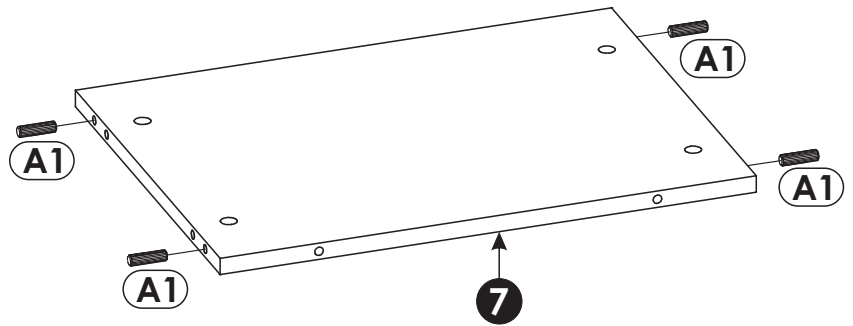
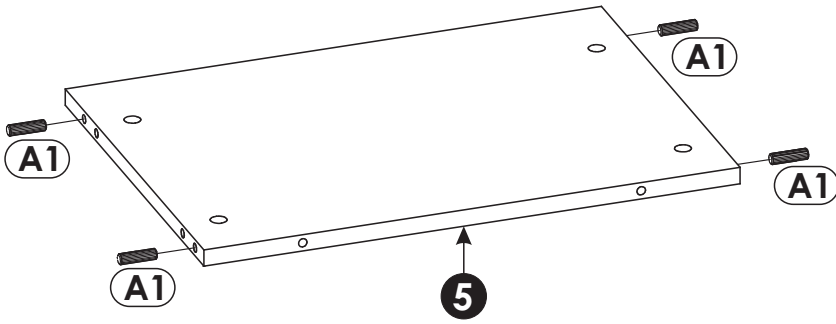
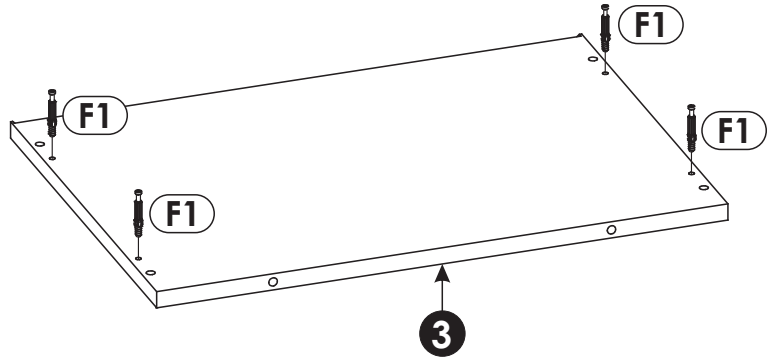


<b>1</b>	1944	380	16 x1	2/2
<b>2</b>	1944	380	16 x1	2/2
<b>3</b>	540	380	16 x1	1/2
<b>4</b>	506	335	6 x2	1/2
<b>5</b>	507	359	16 x1	1/2
<b>6</b>	507	360	16 x1	1/2
<b>7</b>	507	376	16 x1	1/2
<b>8</b>	540	60	19 x2	1/2
<b>9</b>	507	60	16 x1	1/2
<b>10</b>	538	90	16 x1	1/2
<b>11</b>	1049	502	4 x1	2/2
<b>12</b>	538	110	16 x1	1/2
<b>13</b>	538	630	16 x1	1/2
<b>14</b>	1910	529	3 x1	2/2

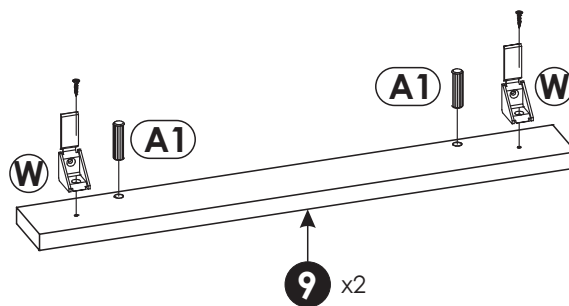
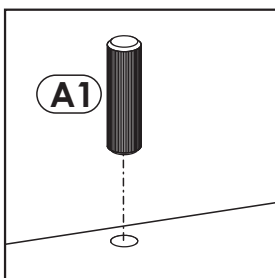
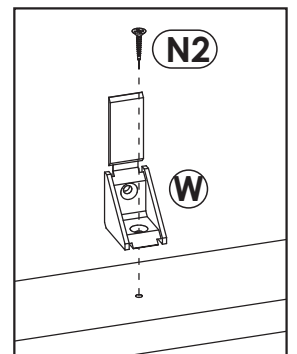
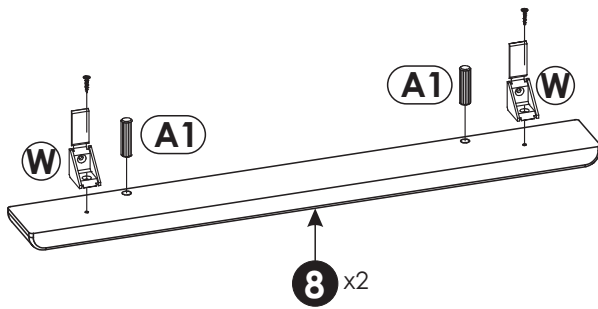




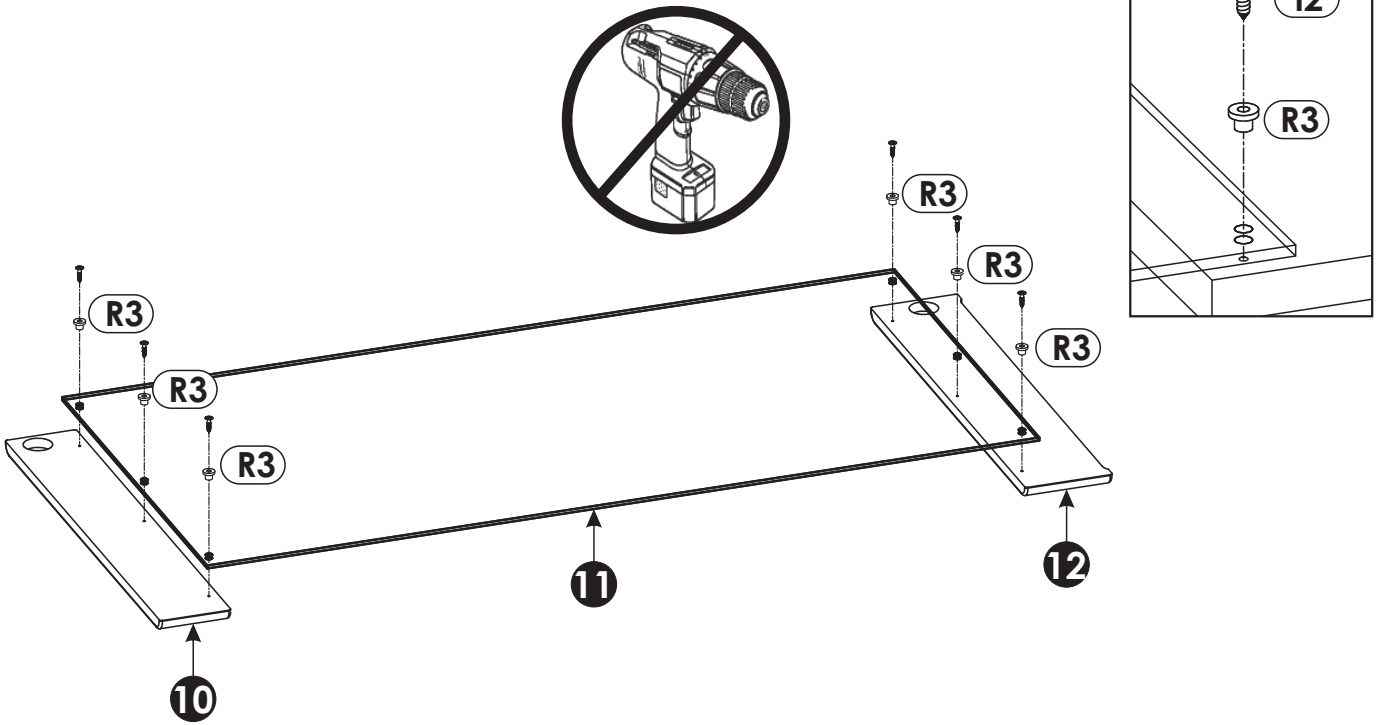
2 ▶



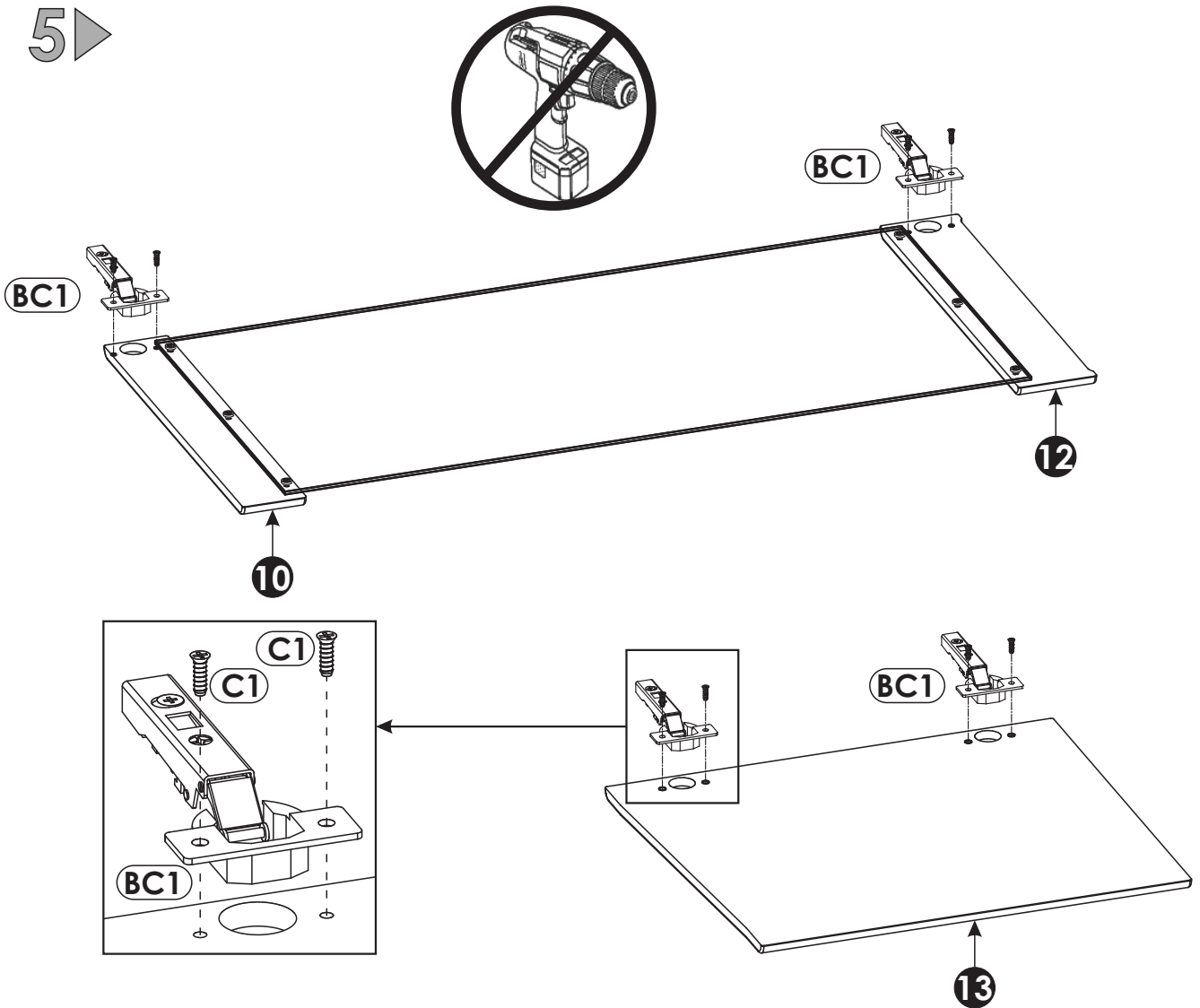
3 ▶



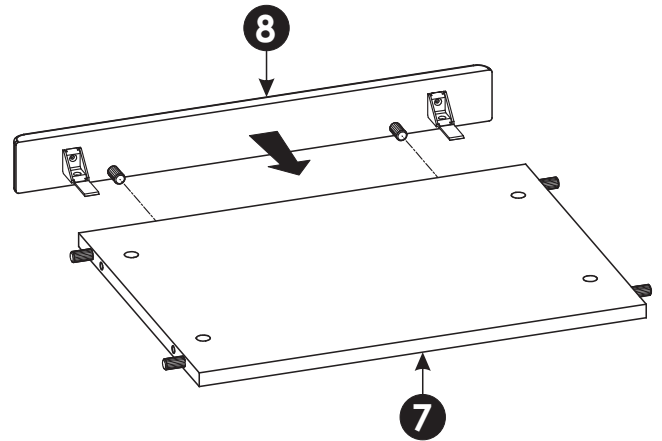
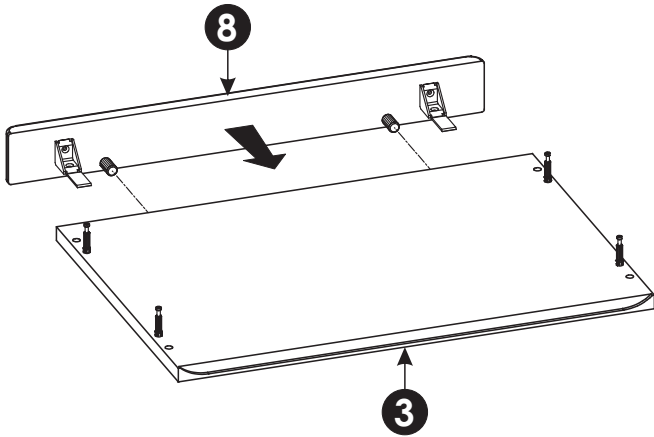
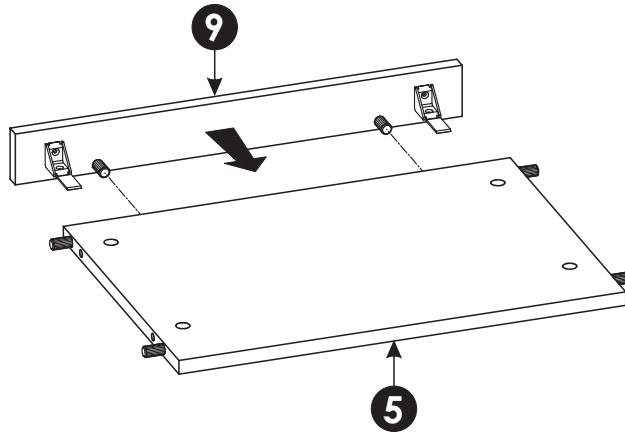
4 ▶



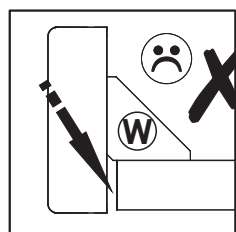
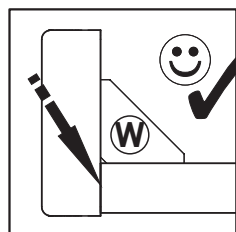
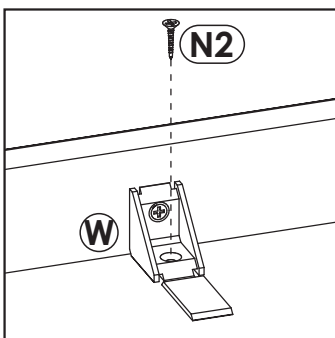
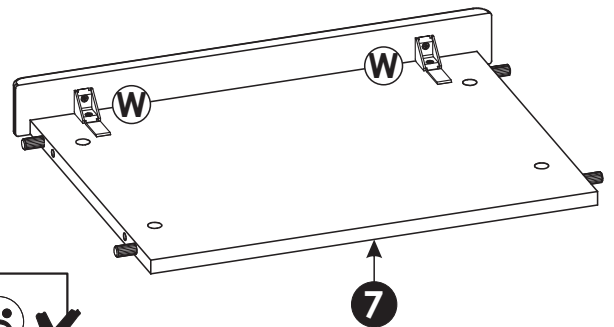
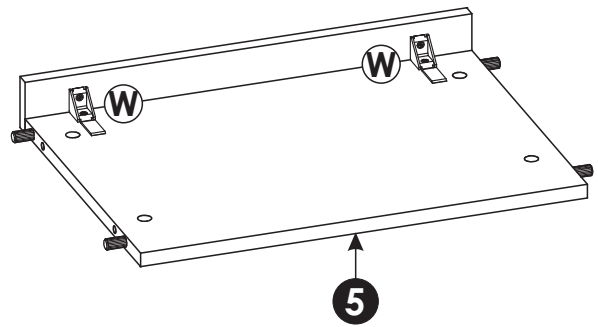
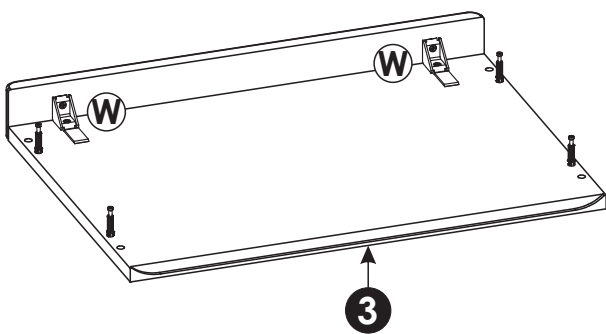
5 ▶



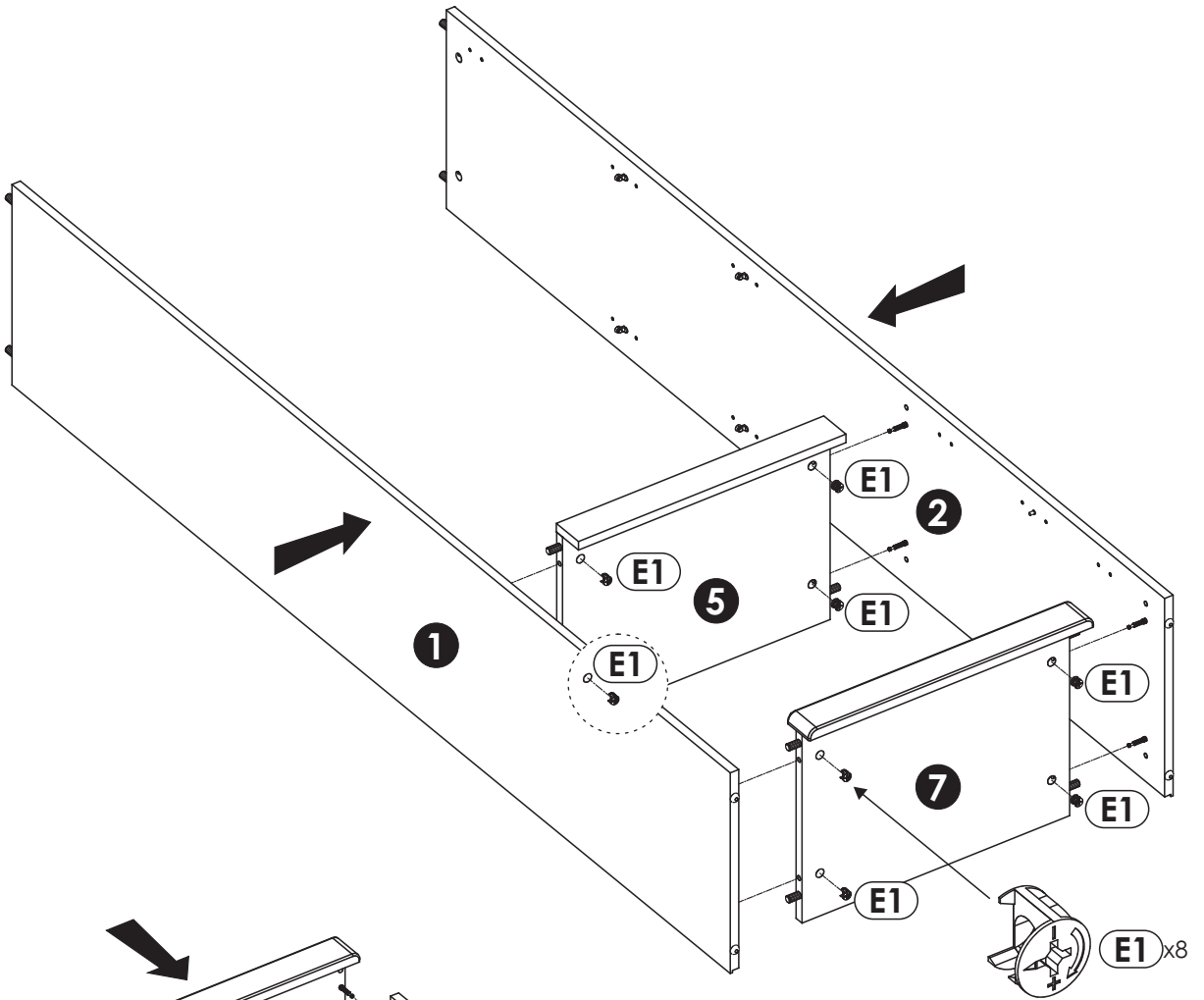
6 ▶



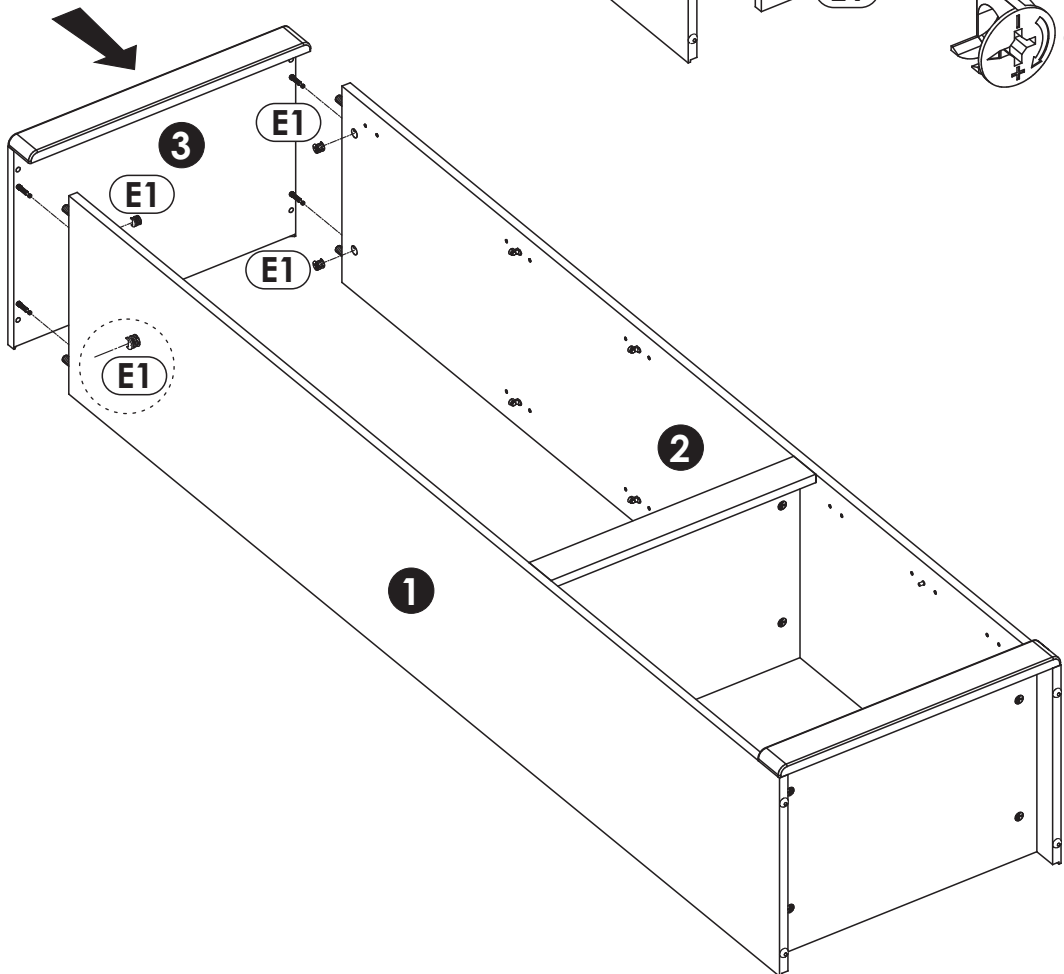
7 ▶



8 ▶

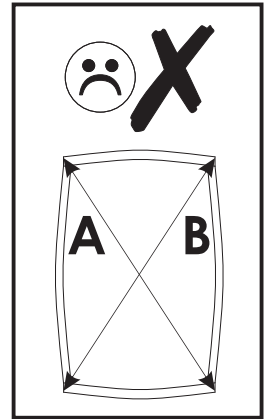
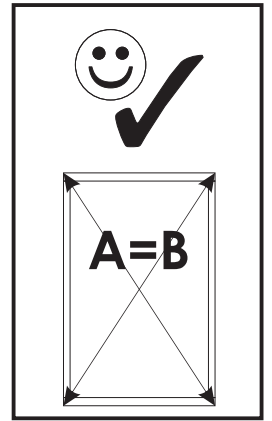
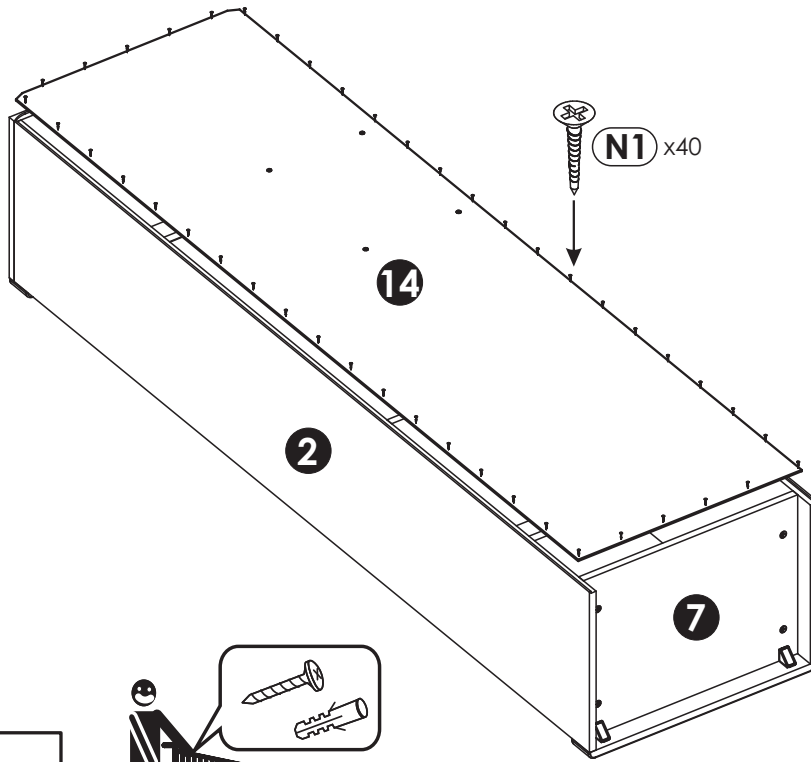


9 ▶





10 ▶



11 ▶

