


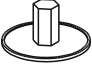


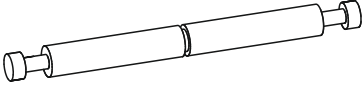



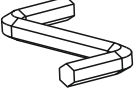

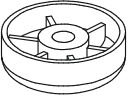


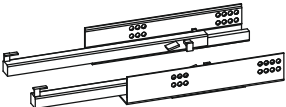
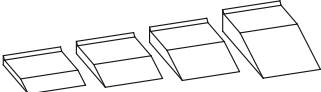
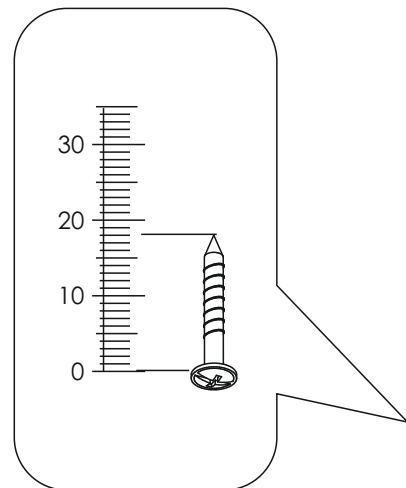
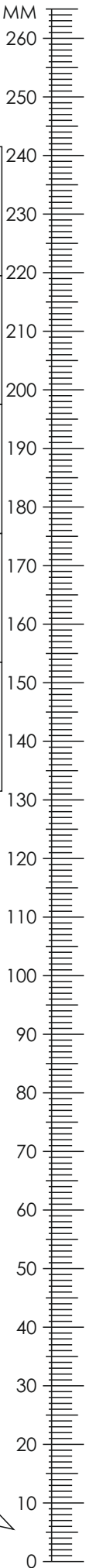
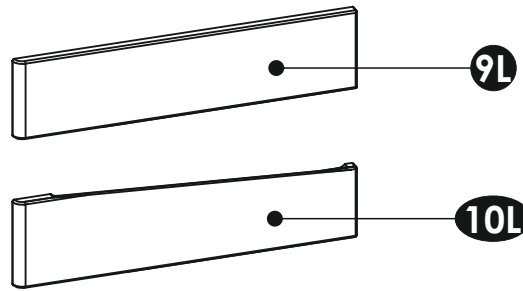
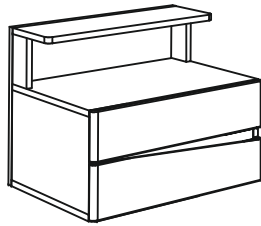


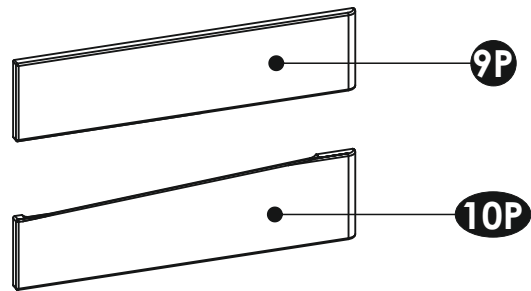
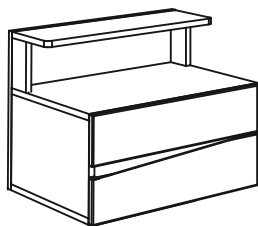
<b>A1</b> x29 $\varnothing 8 \times 35$ mm 	<b>A3</b> x2 $\varnothing 8 \times 60$ mm 	<b>C2</b> x12 EURO 5 x 13 mm 
<b>E0</b> x12 	<b>E1</b> x12 	<b>F1</b> x8 
<b>F4</b> x2 $\varnothing 7 \times 76$ mm 	<b>G0</b> x14 	<b>G1</b> x14 $\varnothing 7 \times 50$ mm 
<b>I10</b> x4 3,5 x 22mm 	<b>M</b> x1 	<b>N1</b> x8 3 x 16 mm 
<b>O1</b> x4 	<b>P1</b> x2 	<b>R4</b> x2 
<b>T10</b> x2 L-360 	<b>Z</b> x1 	



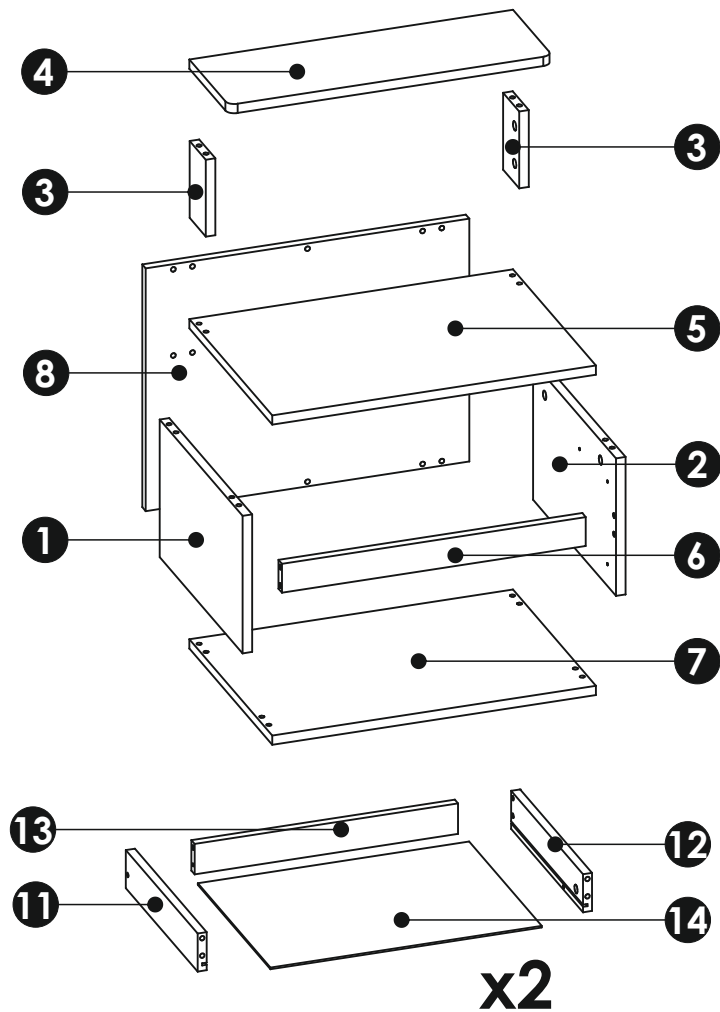
95L

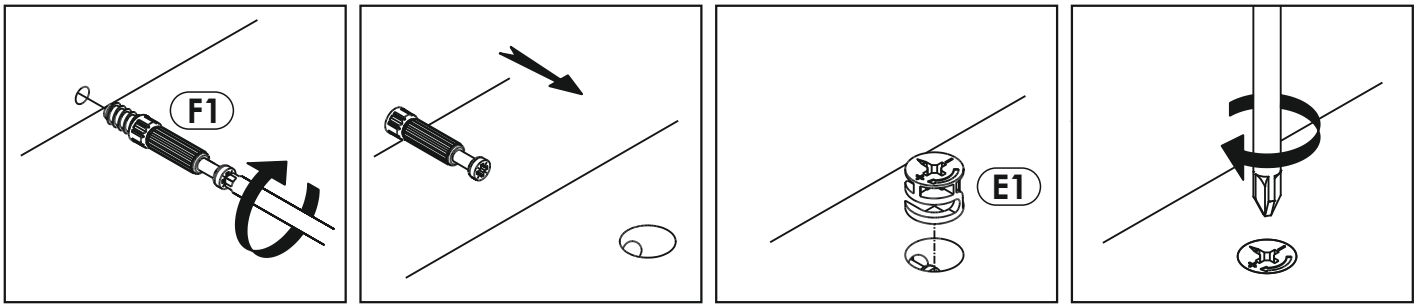


95P

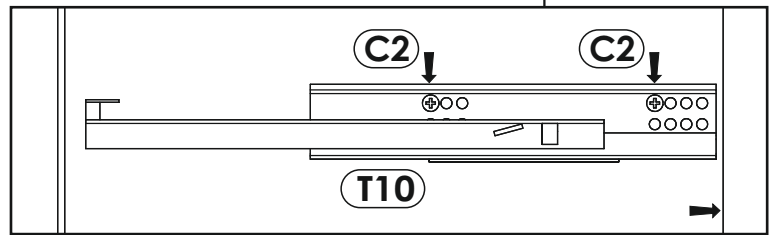
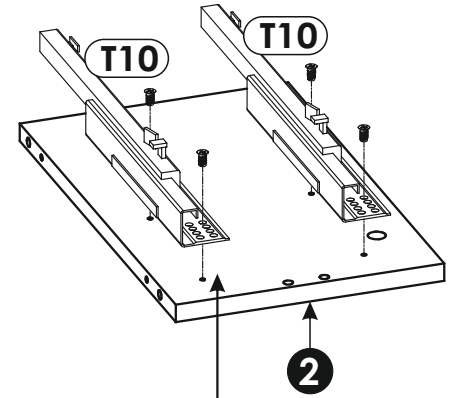
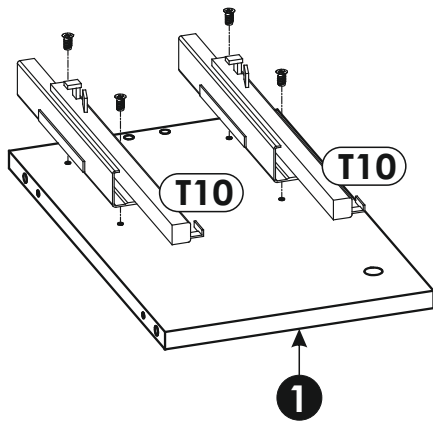
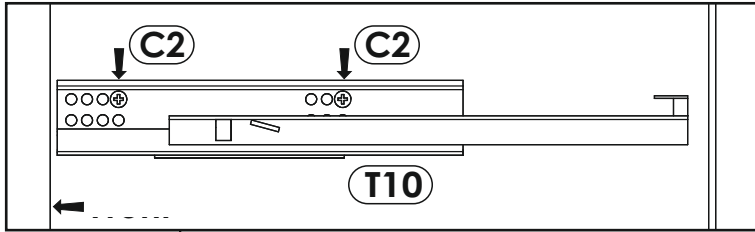


1	238	380	16	x1	1/1
2	238	380	16	x1	1/1
3	133	74	16	x2	1/1
4	540	180	16	x1	1/1
5	540	380	16	x1	1/1
6	507	50	16	x1	1/1
7	540	380	16	x1	1/1
8	540	420	16	x1	1/1
9	538	127	16	x1	1/1
10	538	140	16	x1	1/1
11	350	70	16	x2	1/1
12	350	70	16	x2	1/1
13	467	56	16	x2	1/1
14	482	355	3	x2	1/1

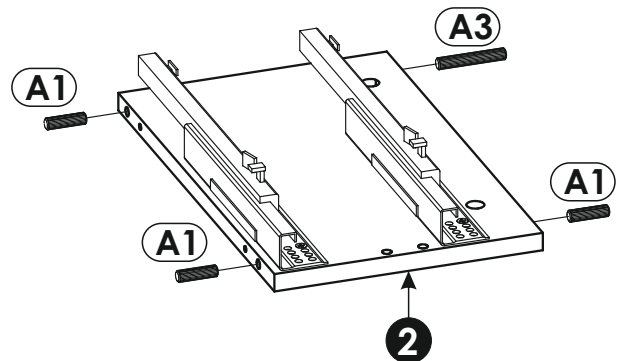
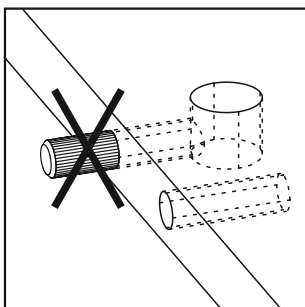
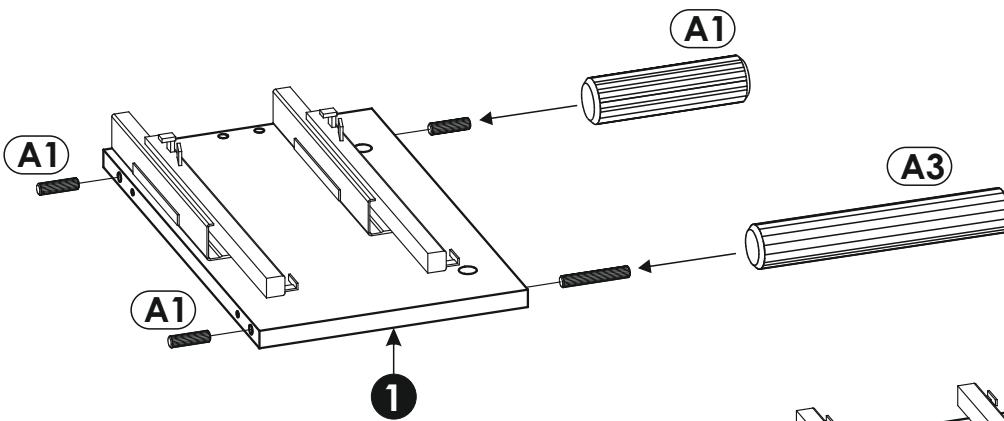




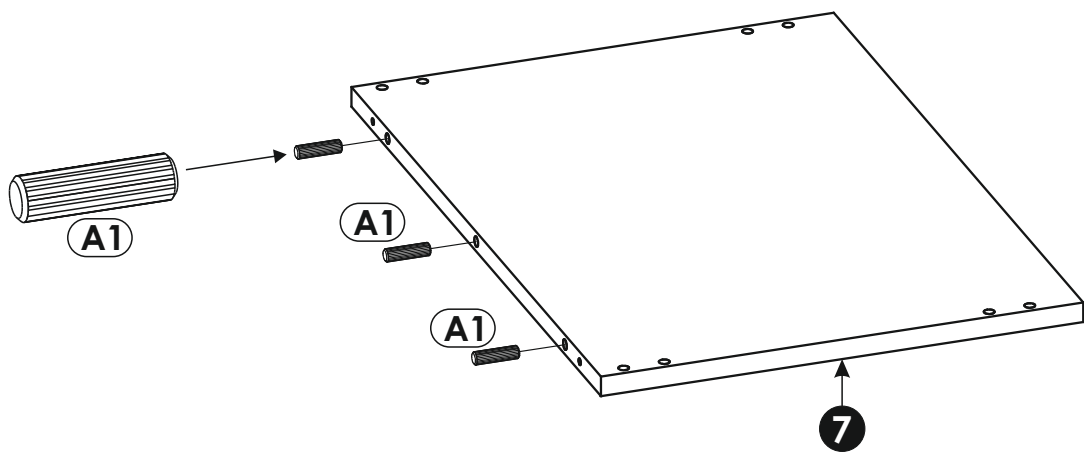
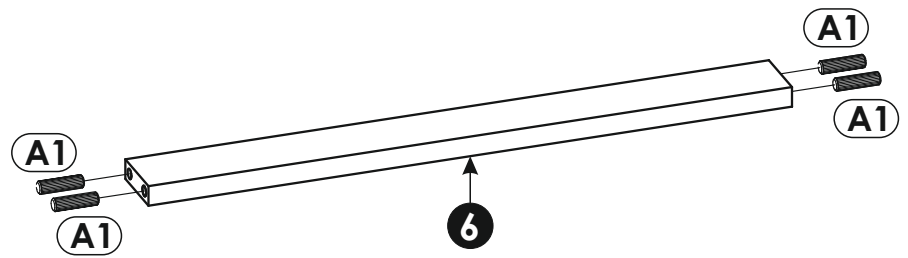
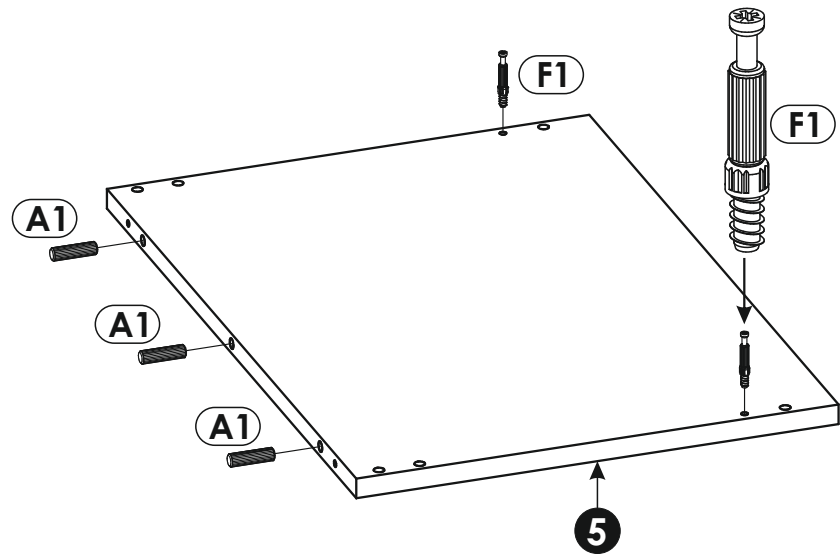
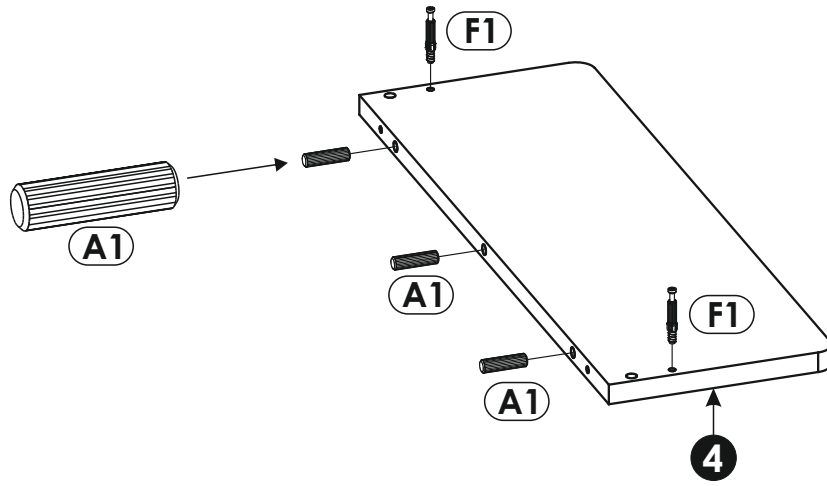
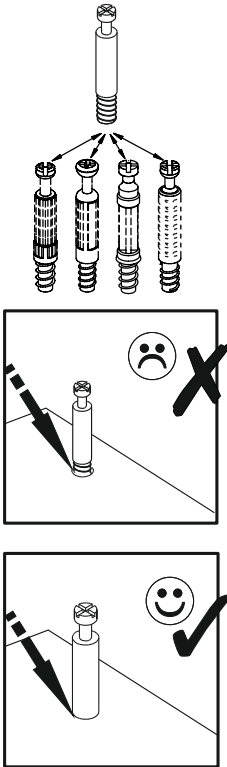
1 ▶



2 ▶

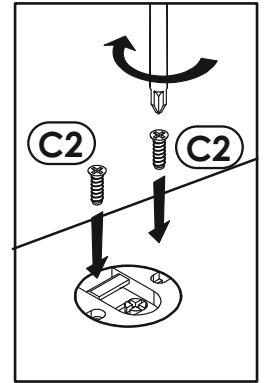
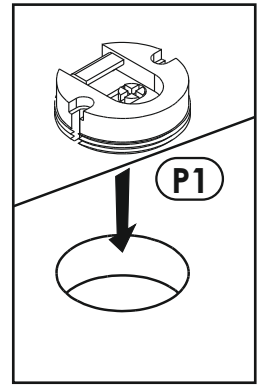
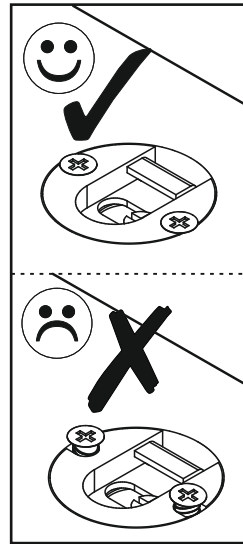
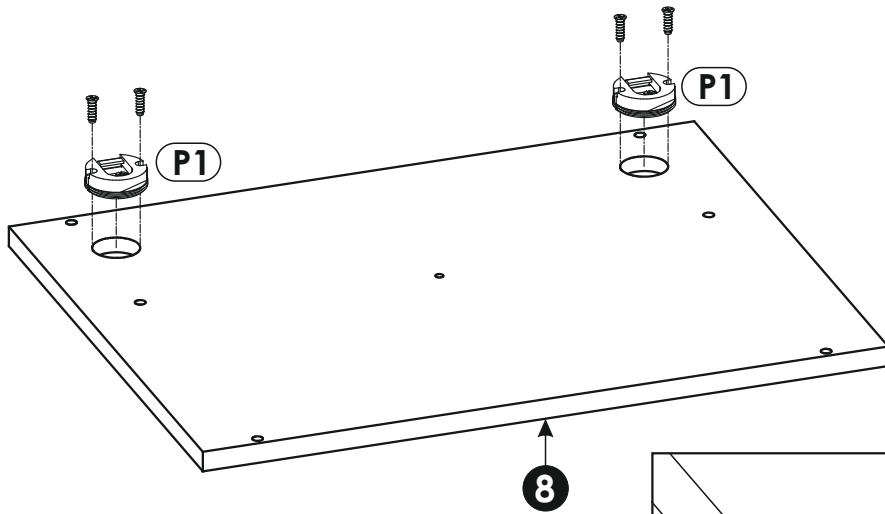


3 ▶

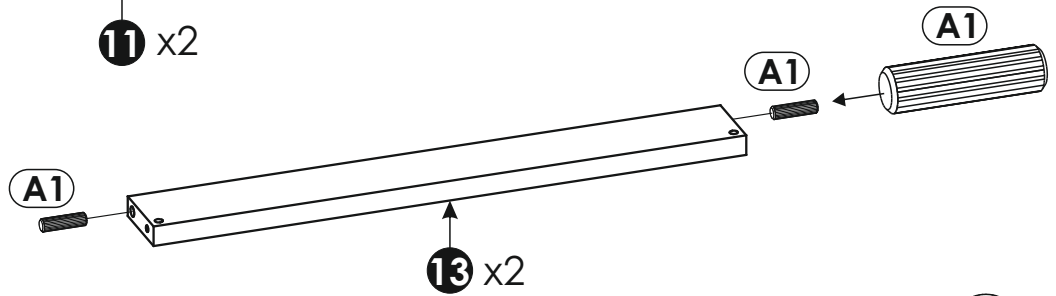
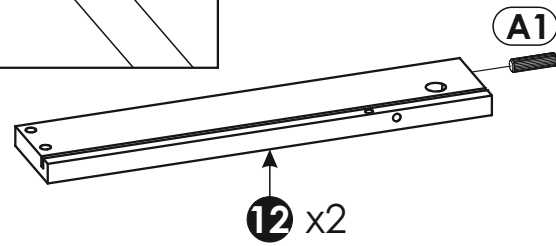
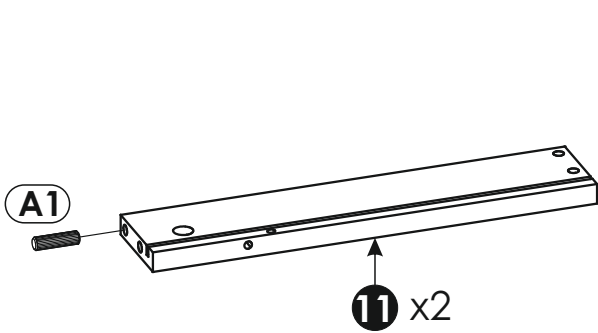
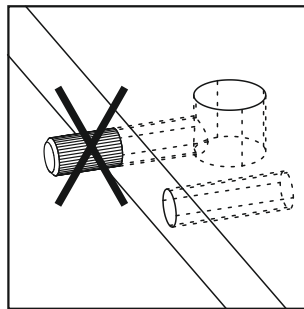




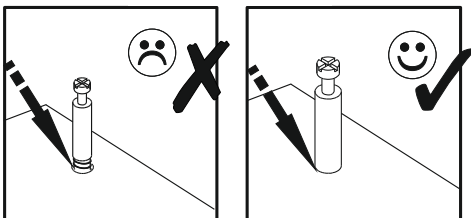
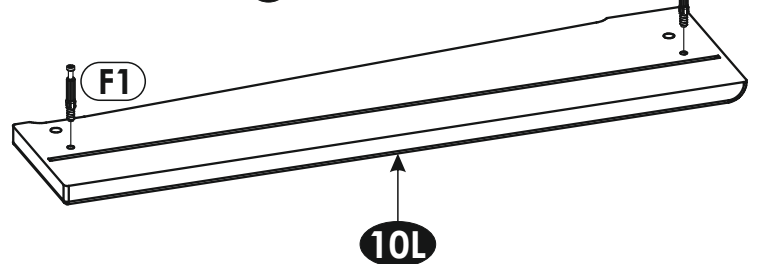
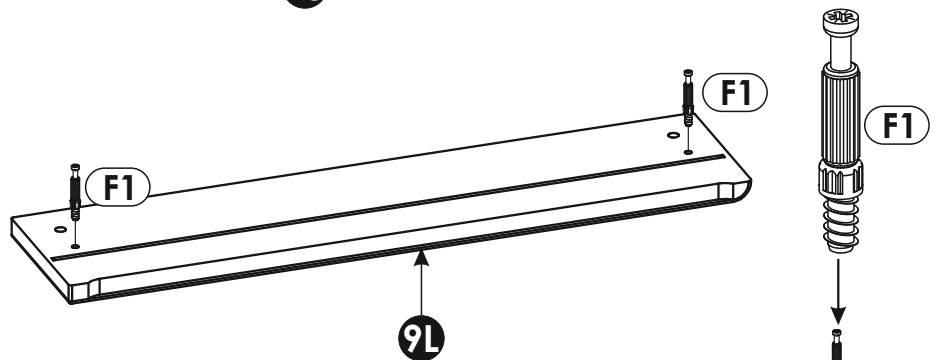
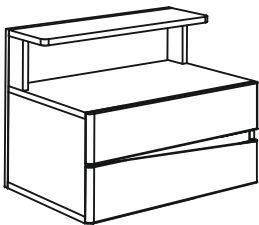
4▶



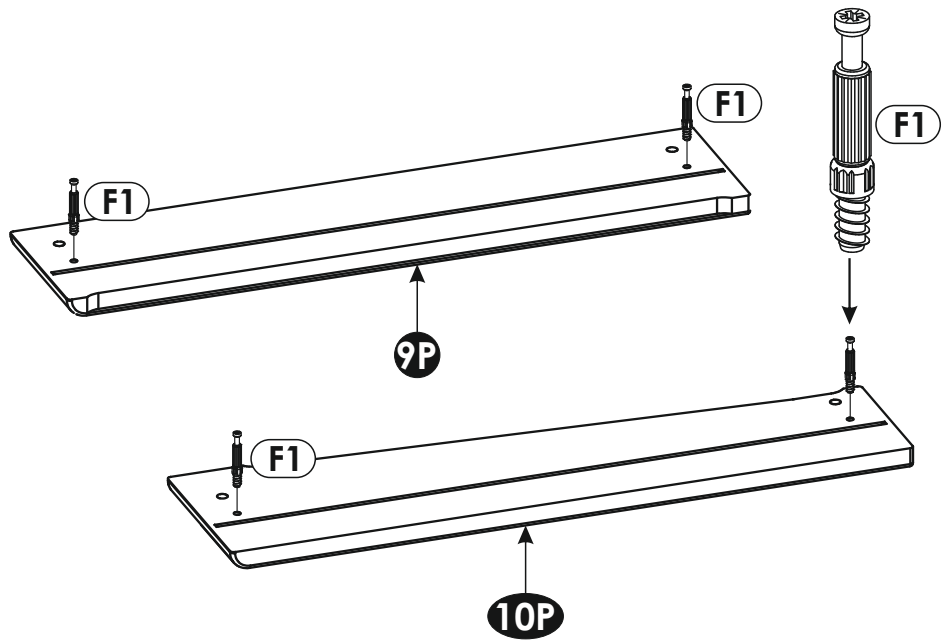
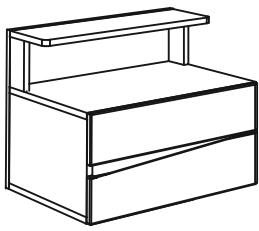
5▶



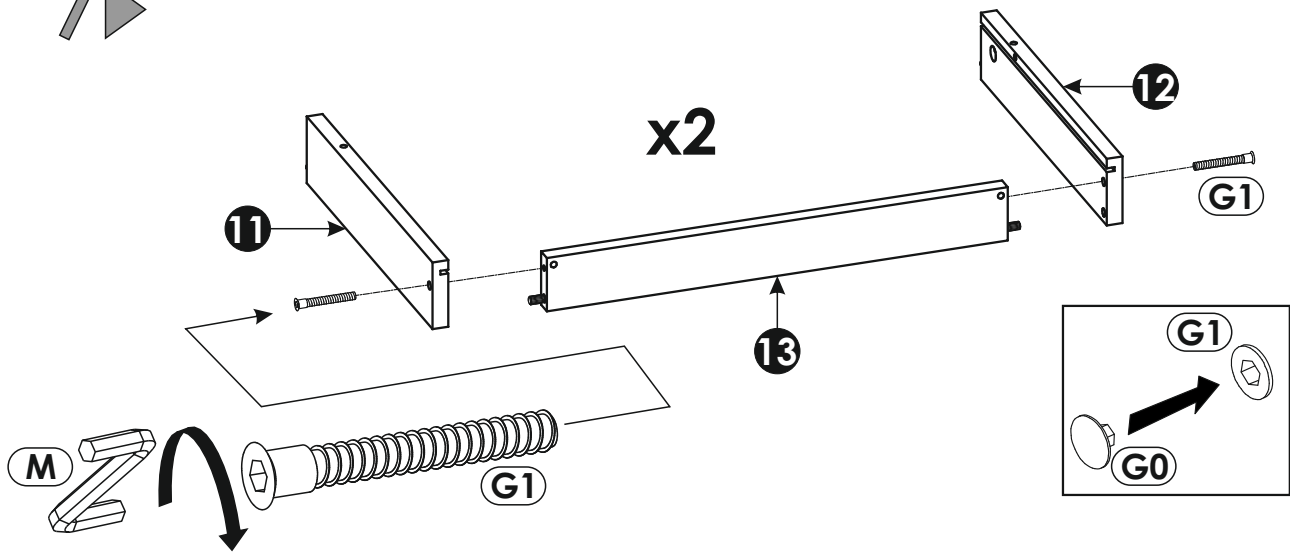
6L▶



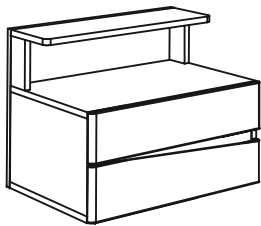
6P ▶



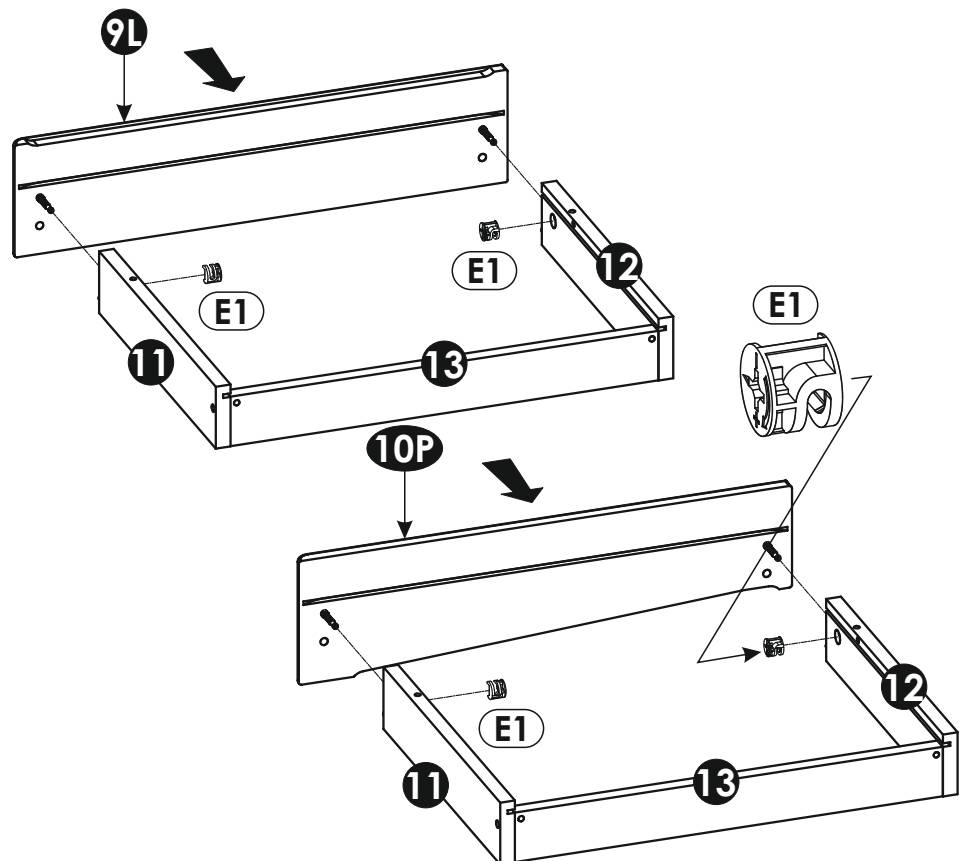
7 ▶



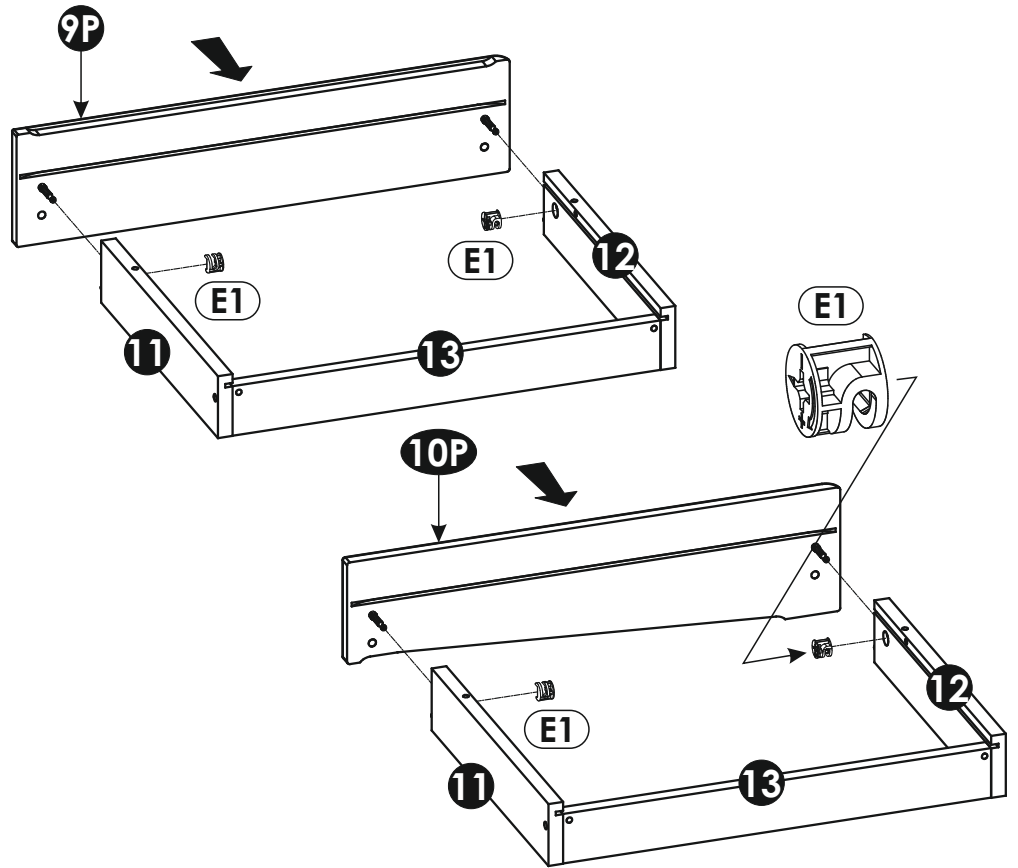
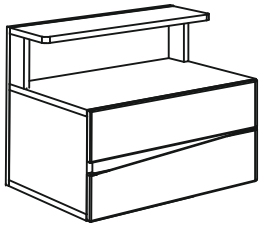
8L ▶



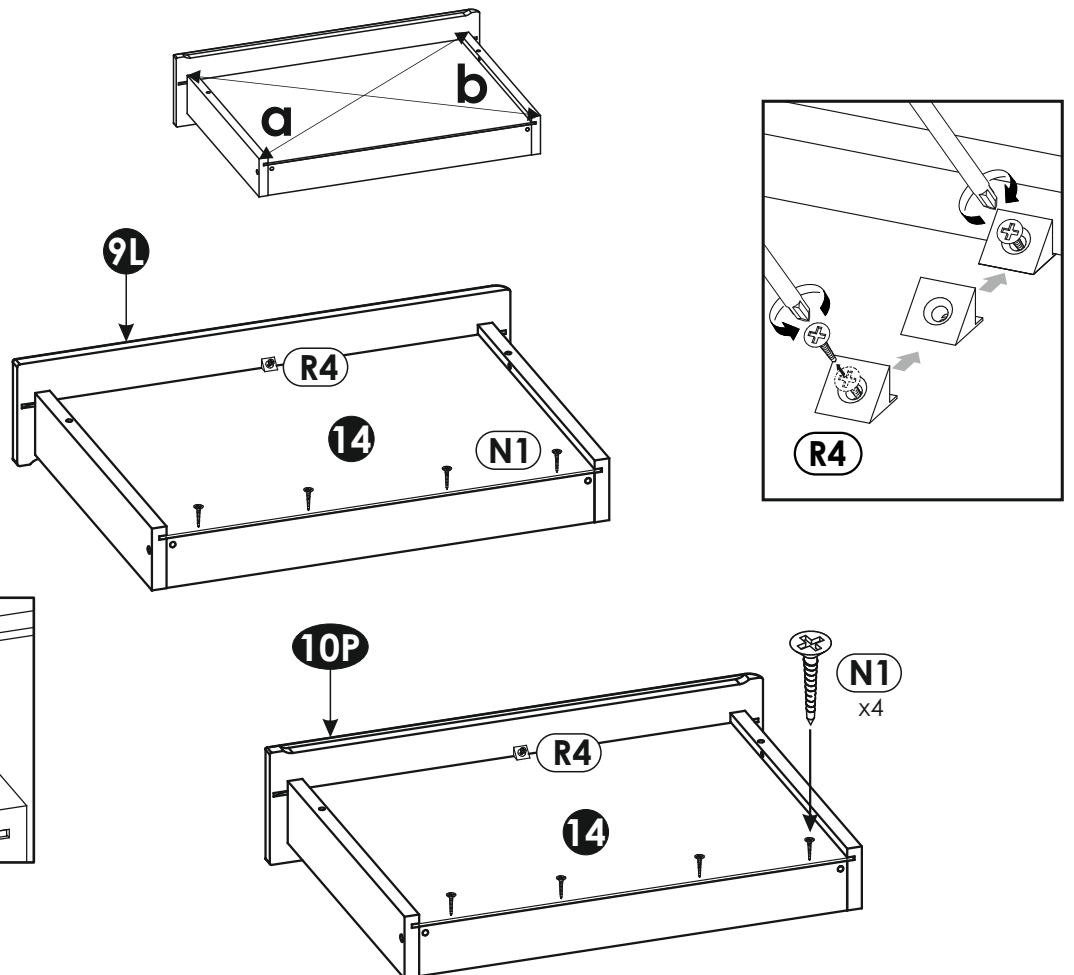
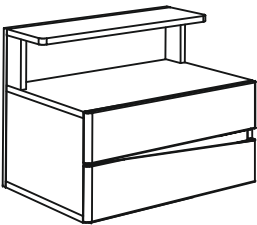
95L



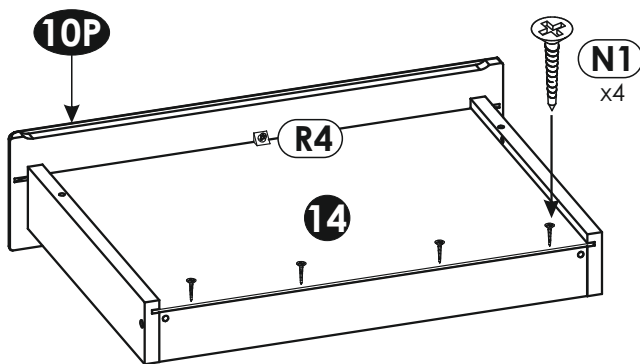
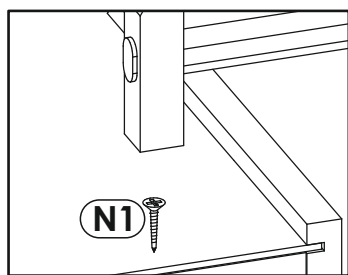
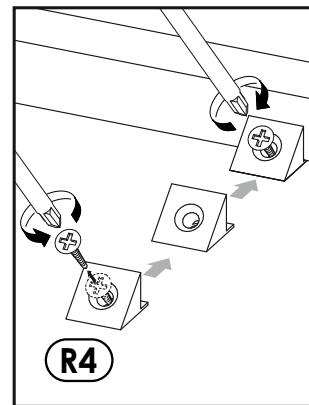
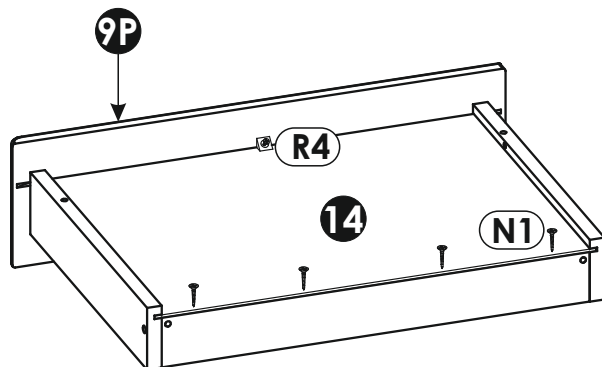
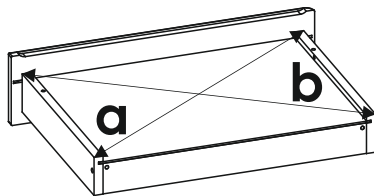
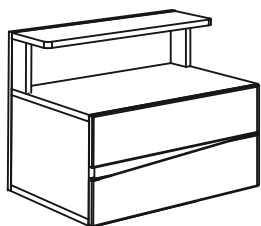
# 8P ▶



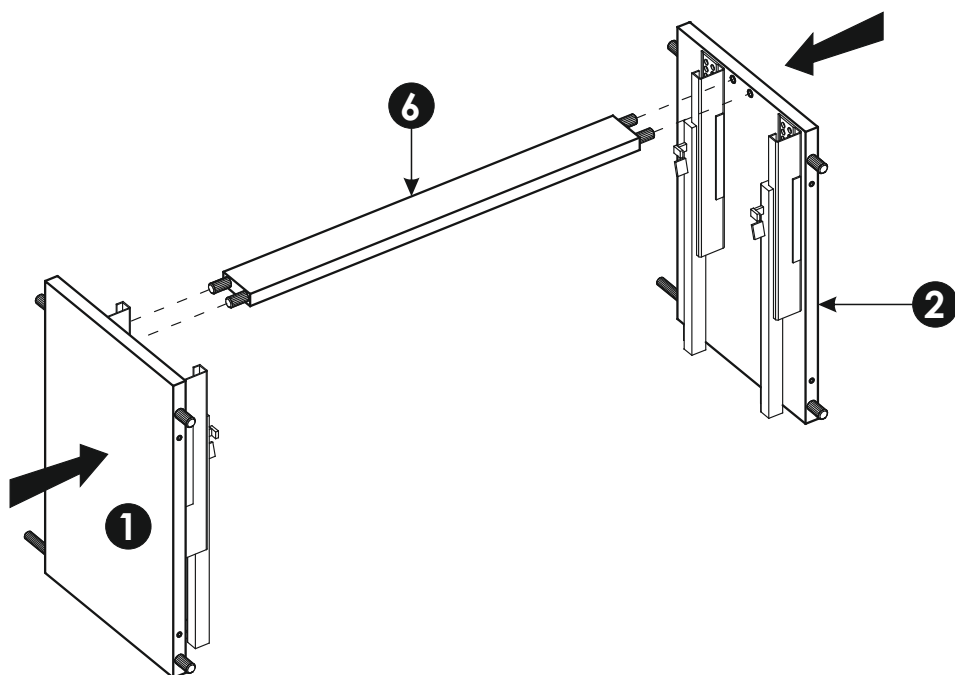
# 9L ▶



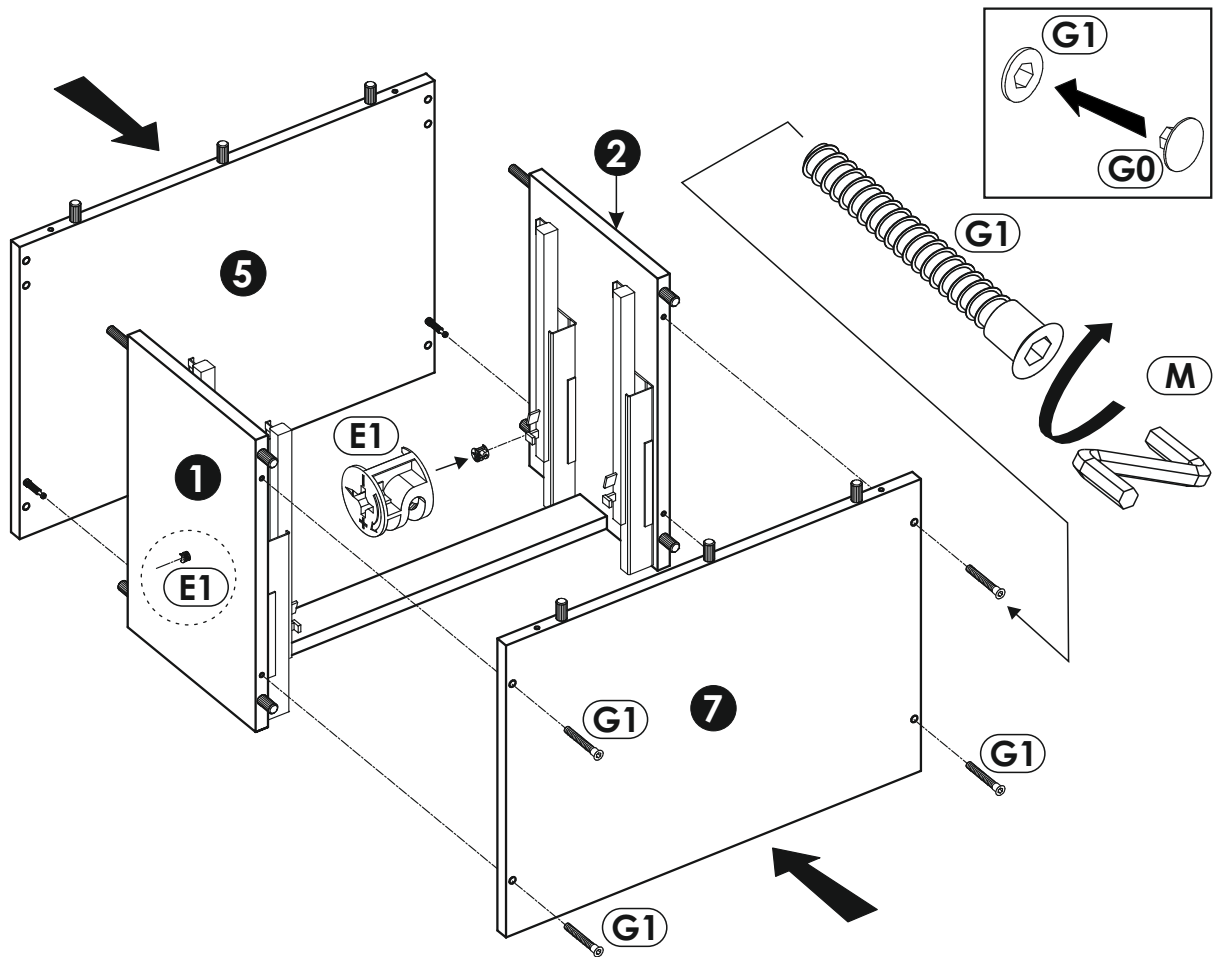
9P ▶



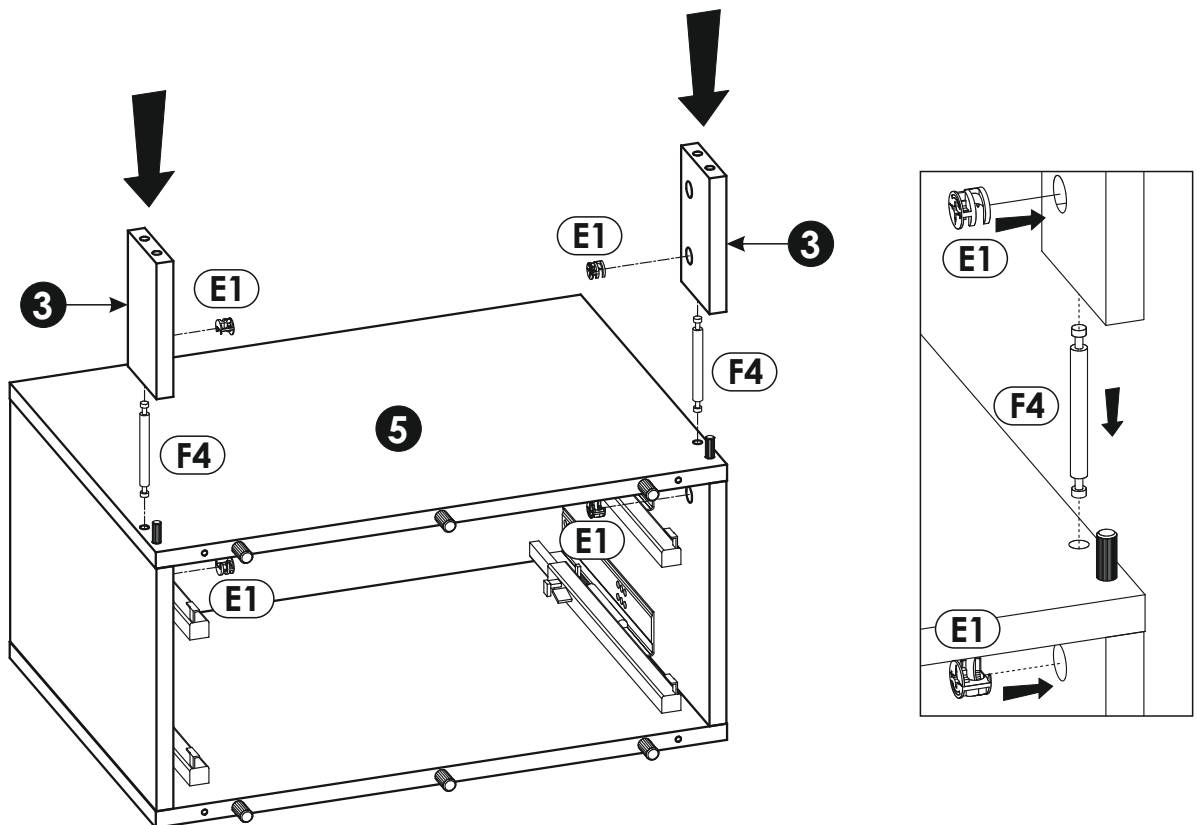
10 ▶



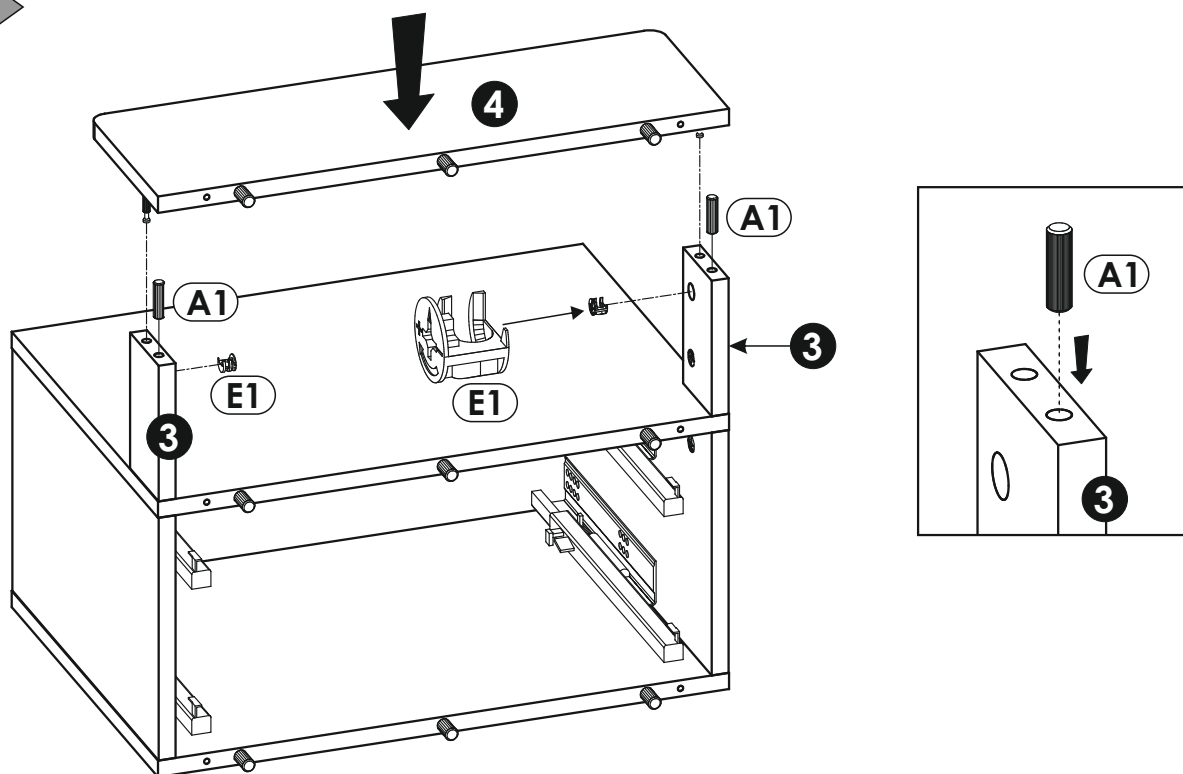
11 ▶



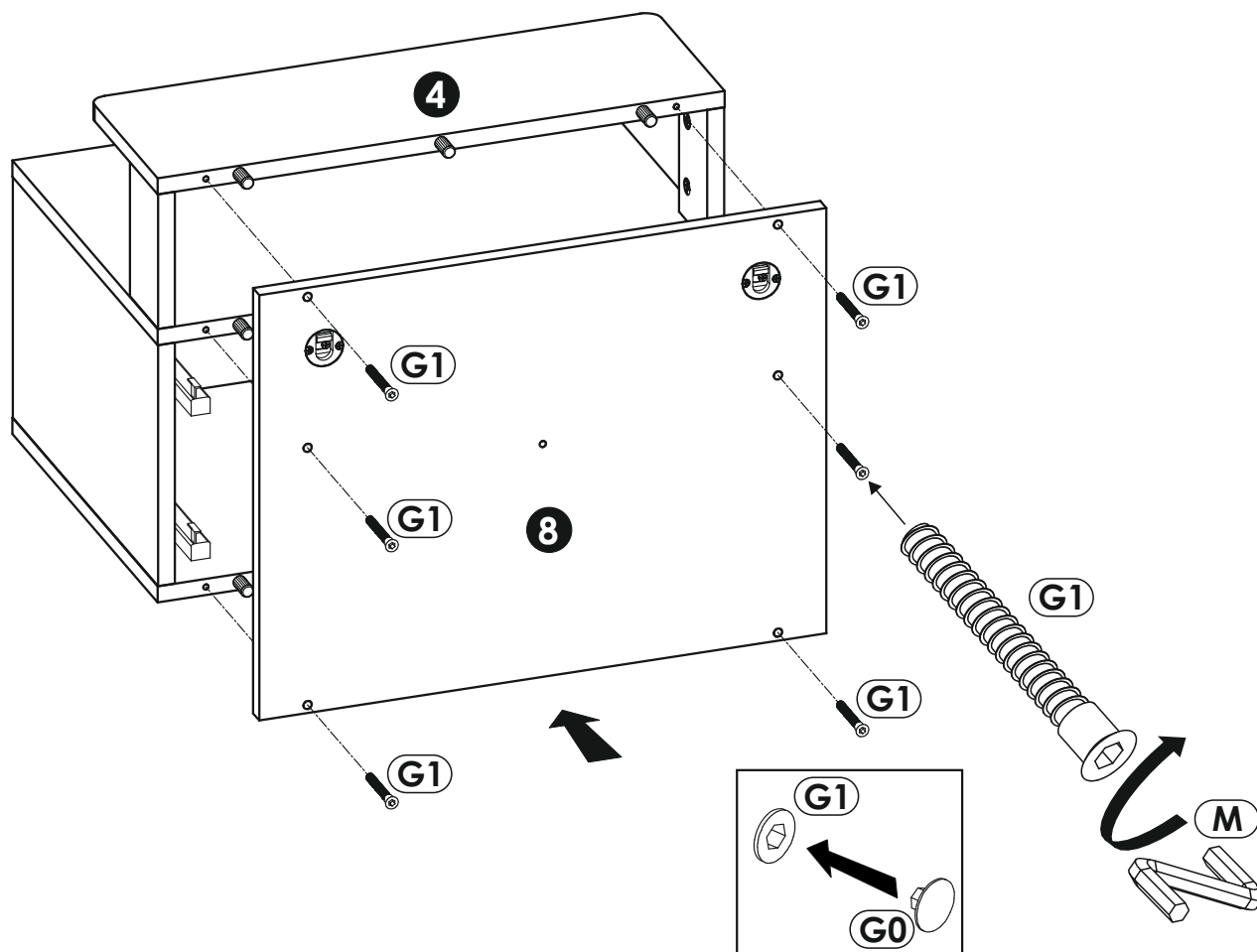
12 ▶



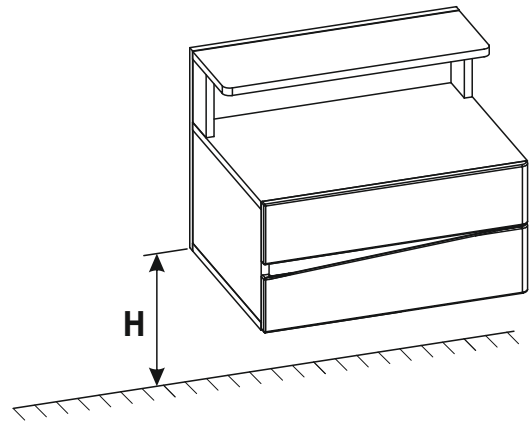
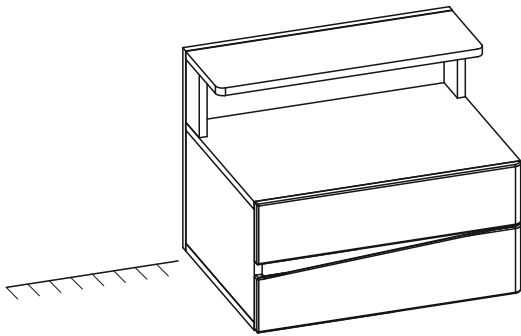
13▶



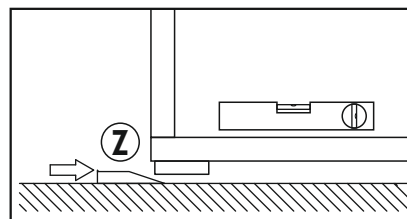
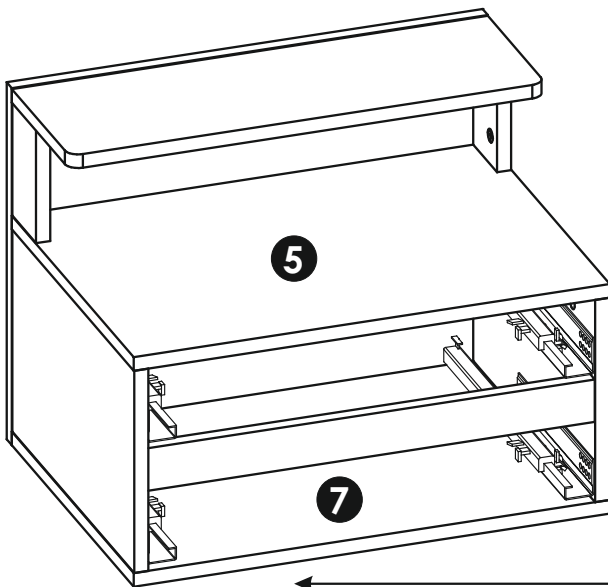
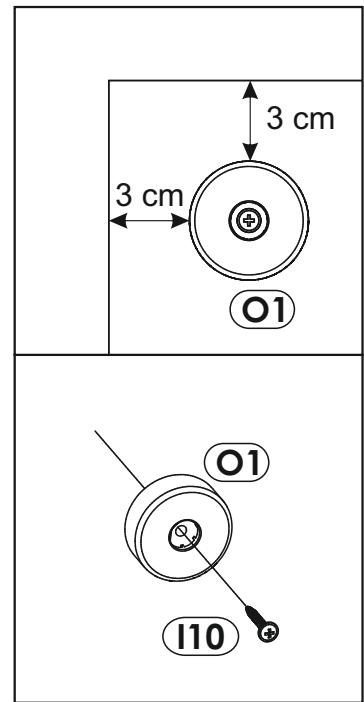
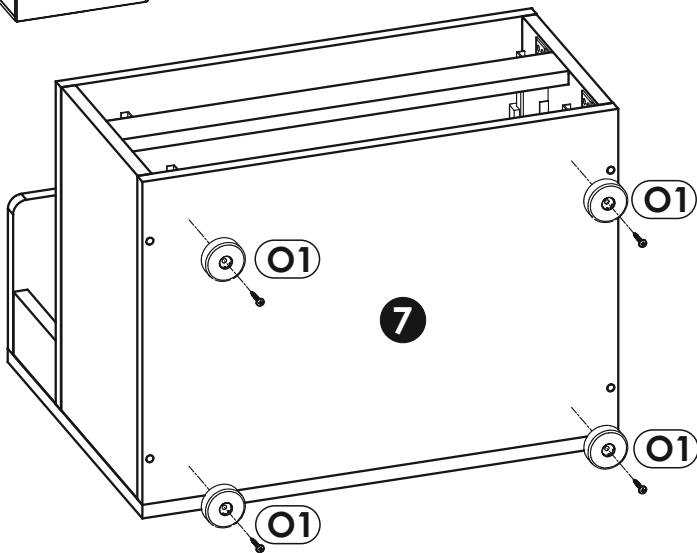
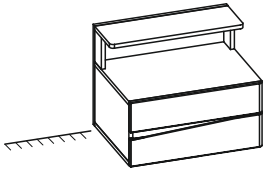
14▶



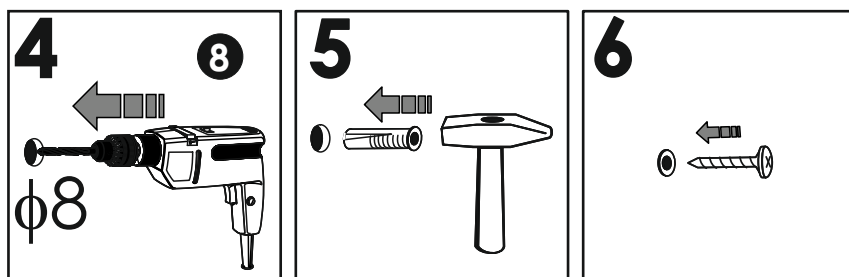
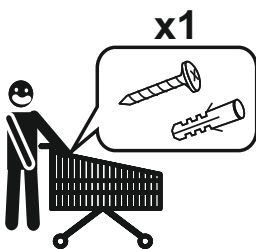
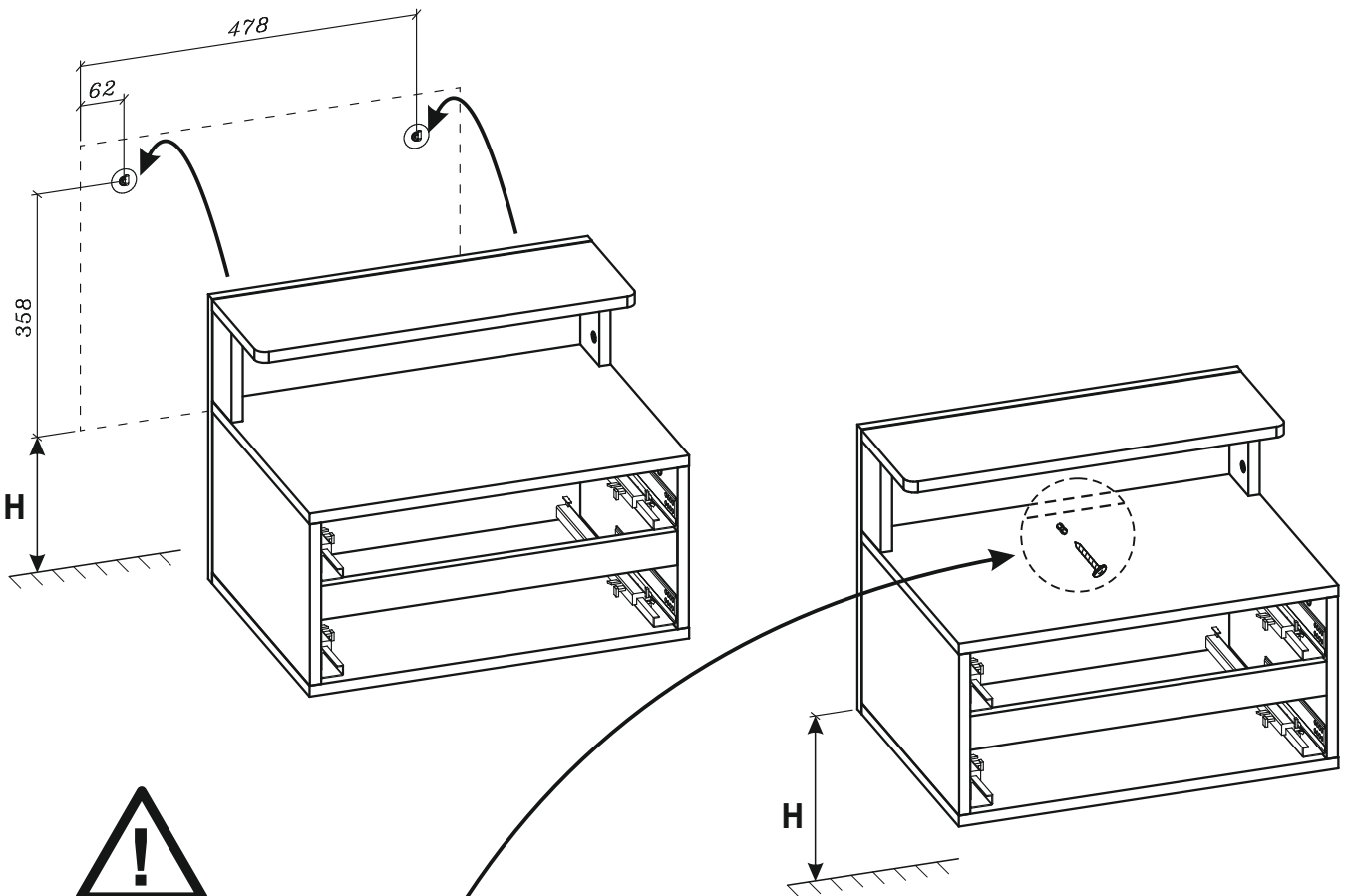
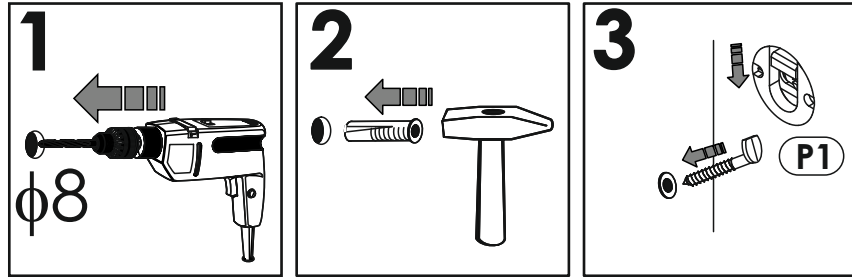
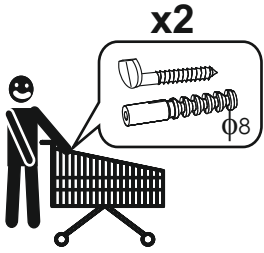
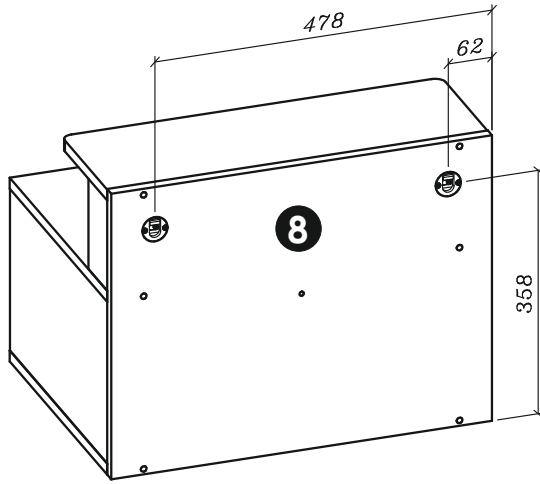
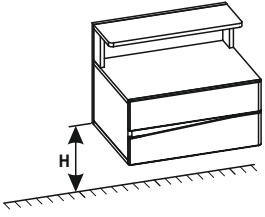
15▶



16D▶



# 16U ▶





17▶

