
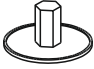




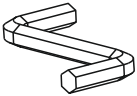
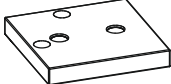

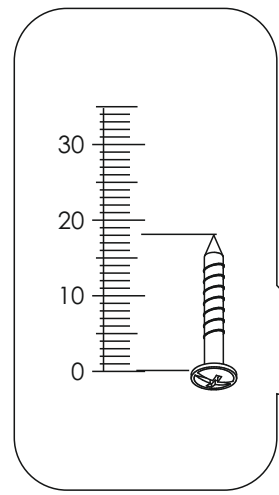
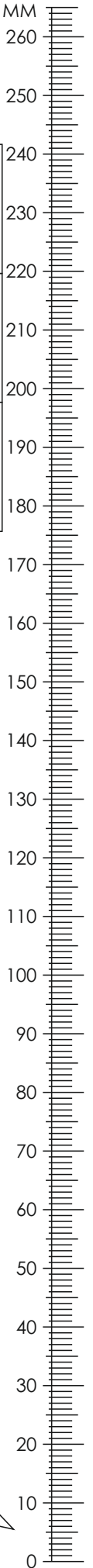
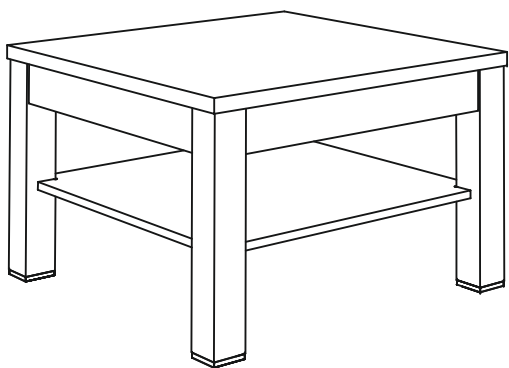
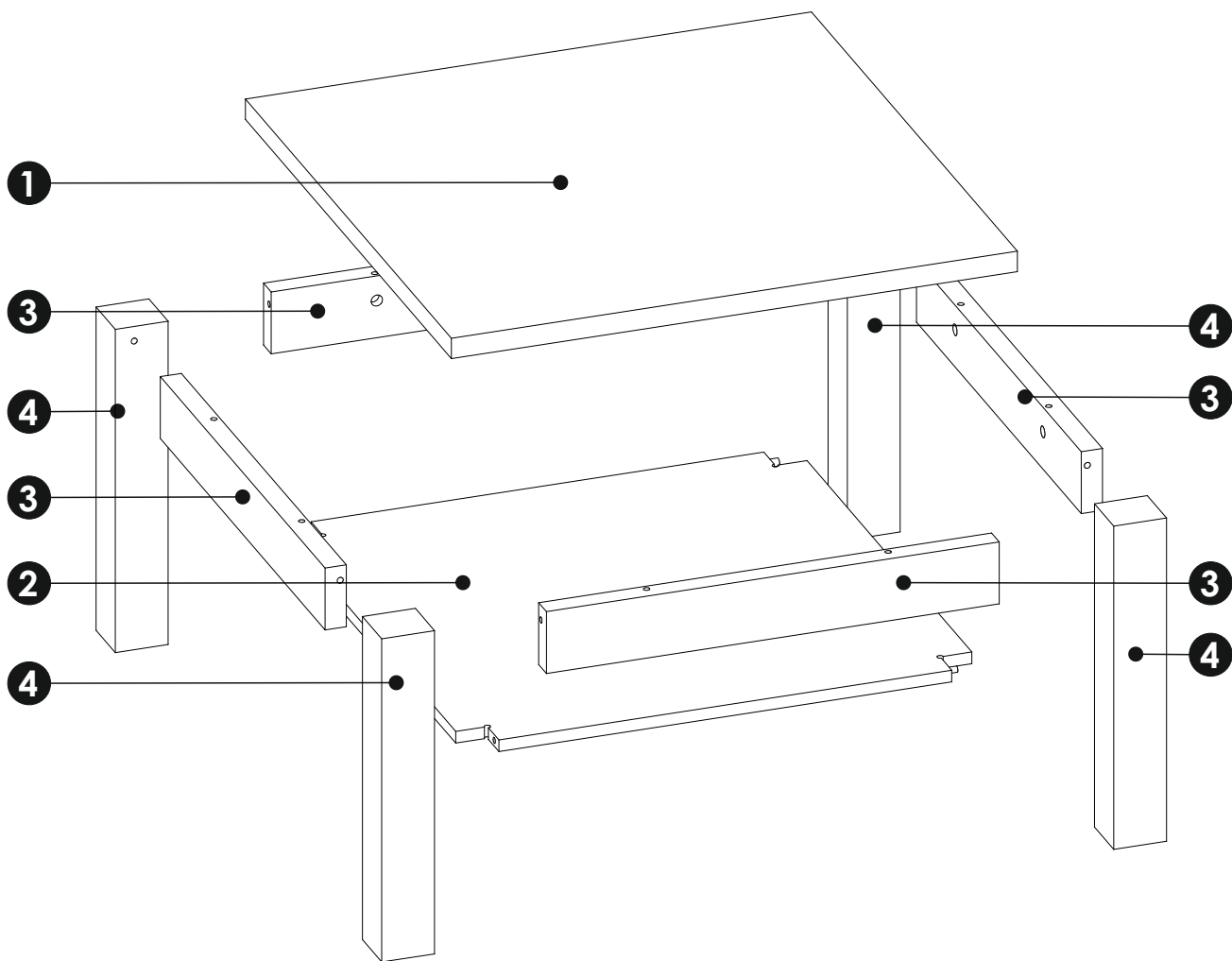


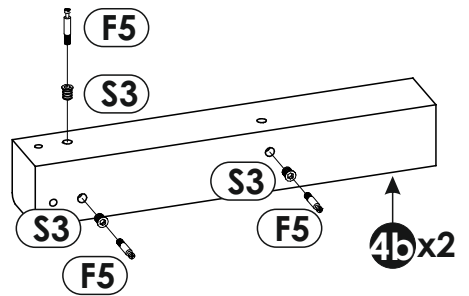
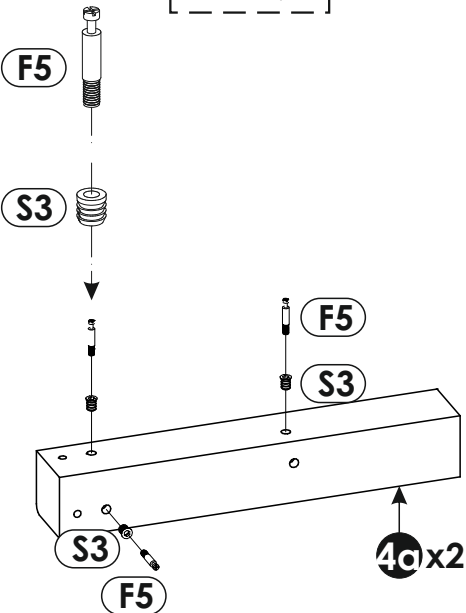
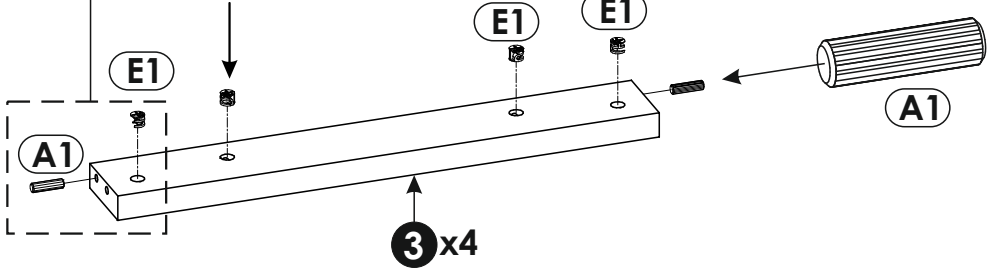
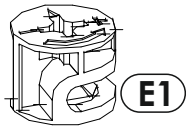
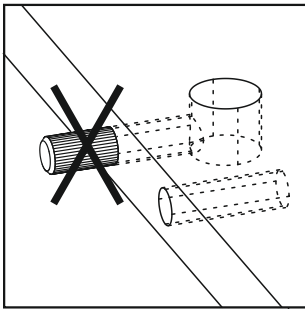
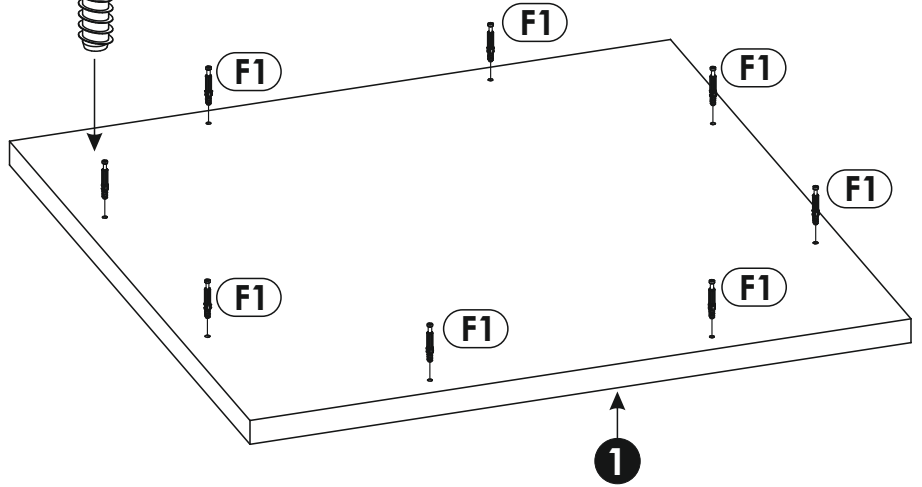
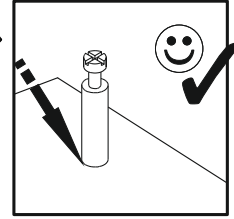
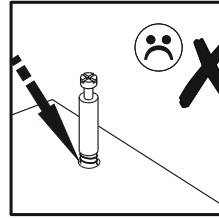
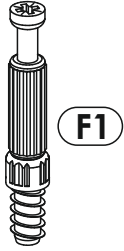
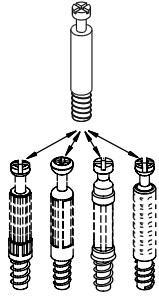
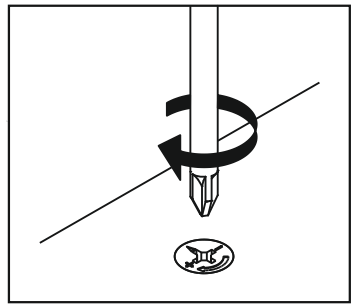
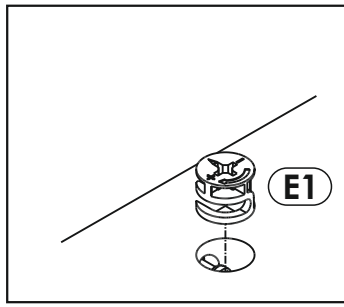
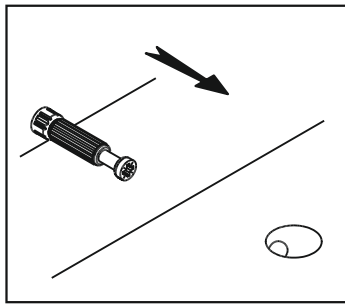
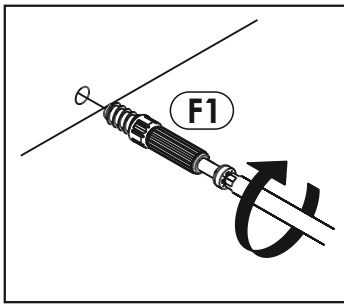
A1 x 8 \varnothing 8 x 35 mm 	E0 x 20 	E1 x 20 \varnothing 15 x 12 mm 
F1 x 8 \varnothing 6 x 34 mm 	F5 x 12 	I5 x 8 3,5 x 30 mm 
M x 1 	O24 x 4 	S3 x 12 



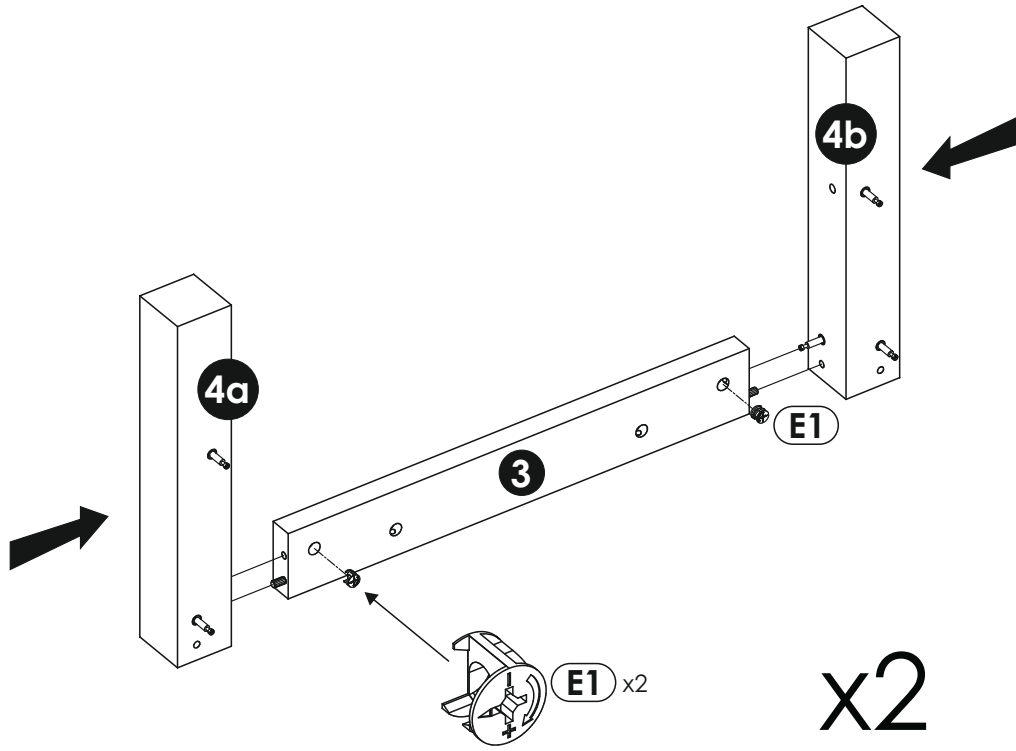


1	750	750	28	x1	2/2
2	684	684	16	x1	2/2
3	600	85	28	x4	1/2
4	444	70	70	x4	1/2

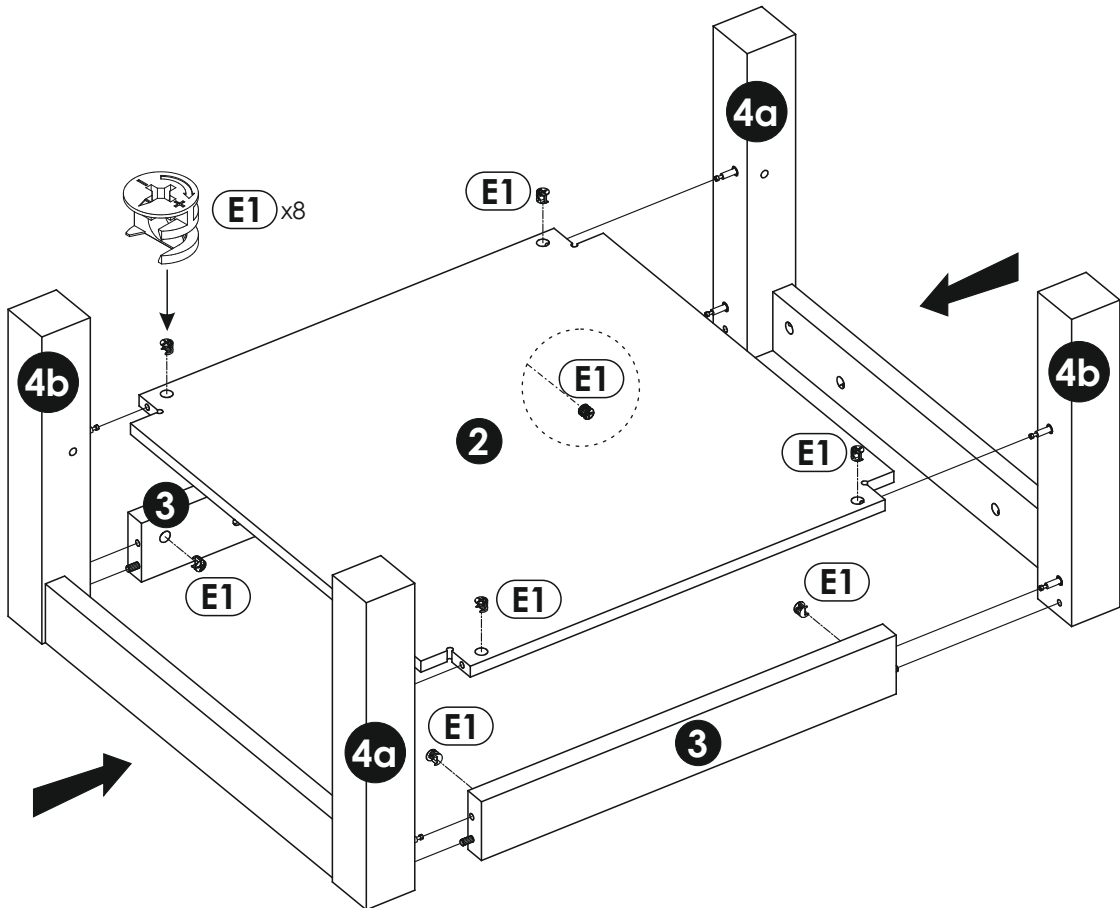




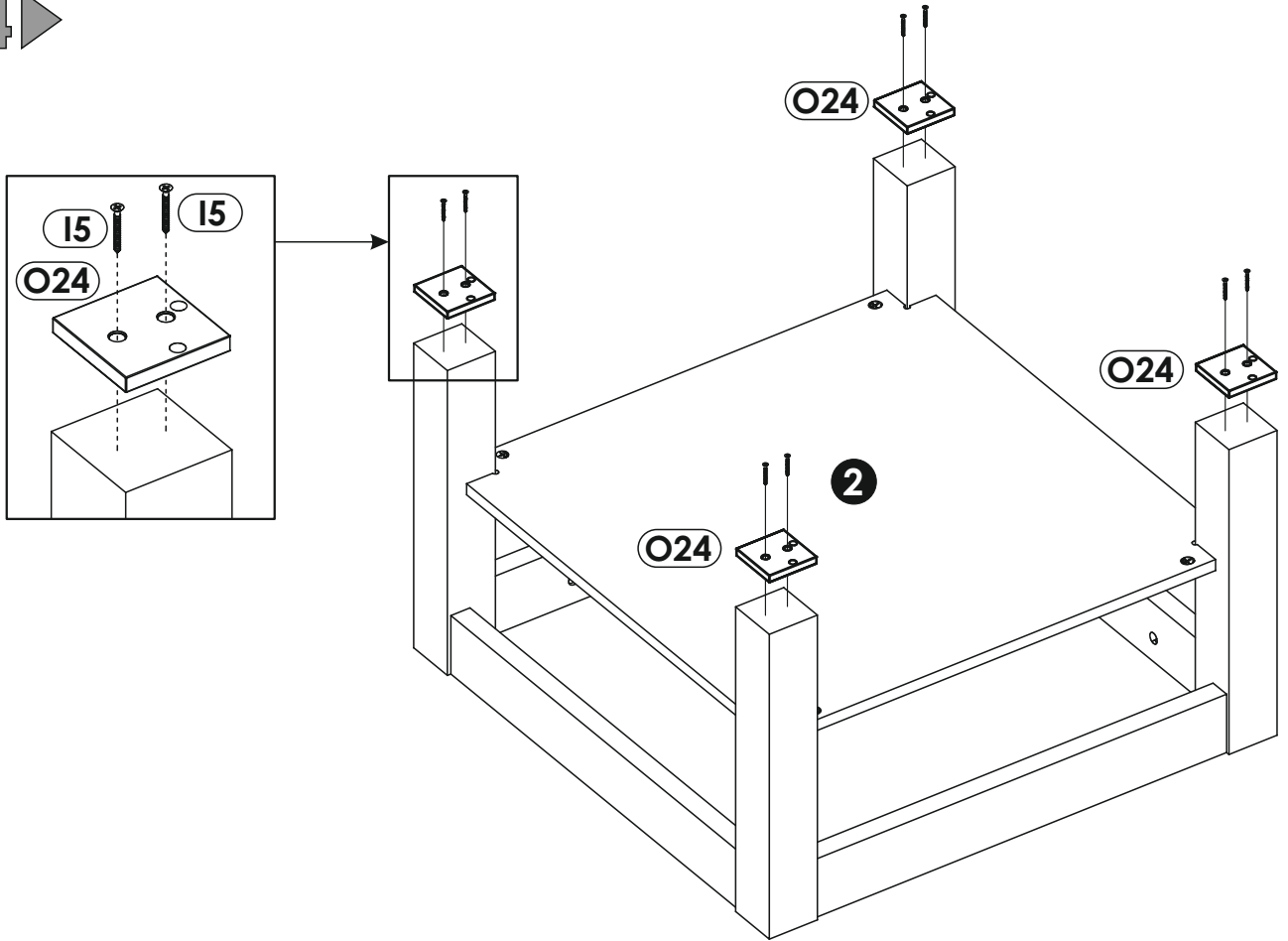
2 ▶



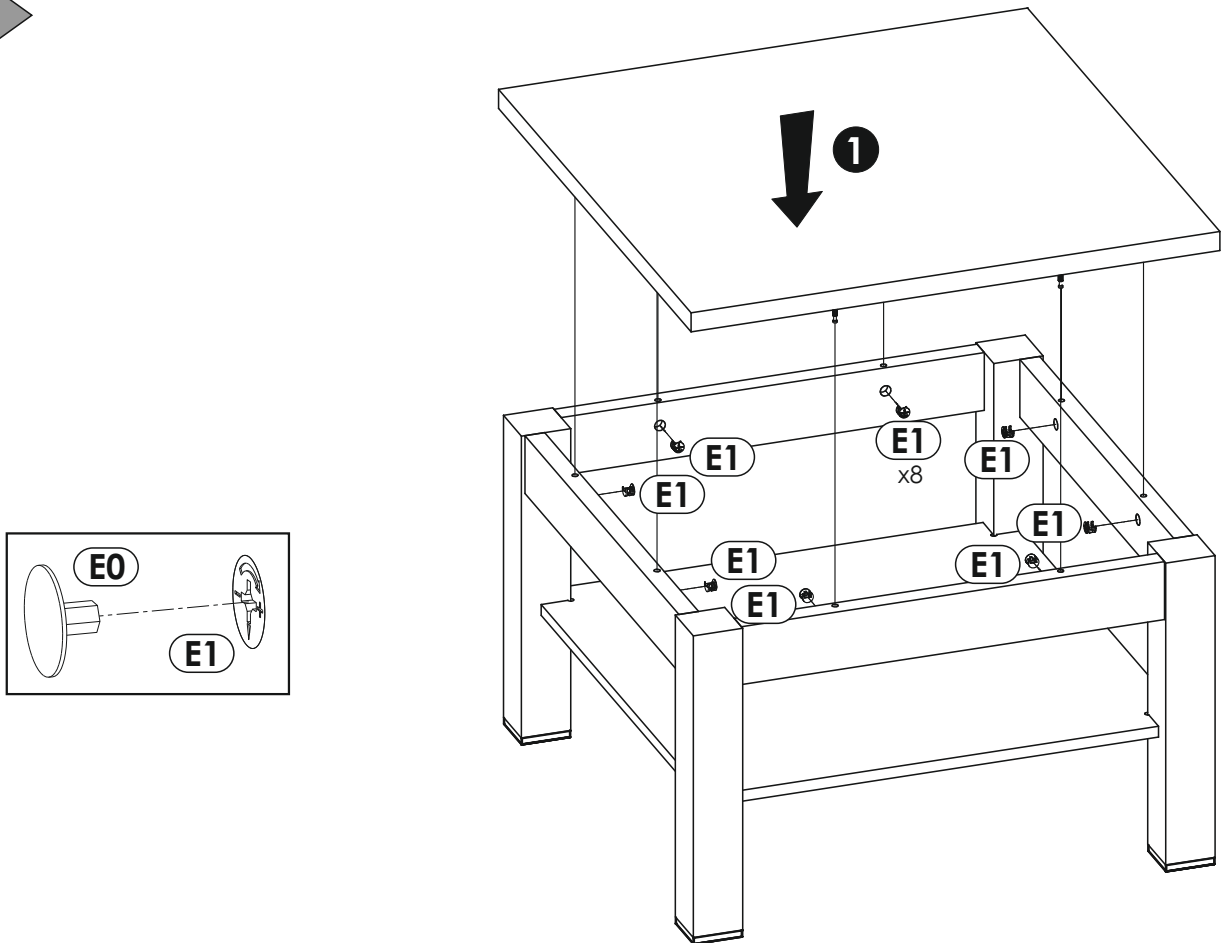
3 ▶



4 ▶



5 ▶



6 ▶

