

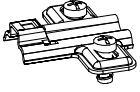


version A

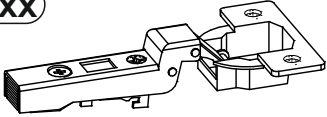


version B

BCxx



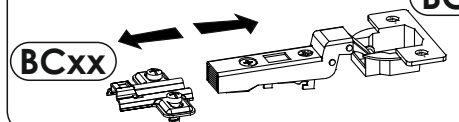
BCxx



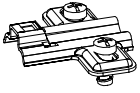
BCxx + BCxx



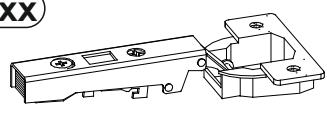
BCxx



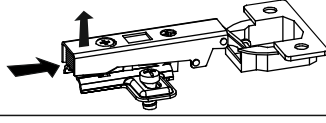
BCxx



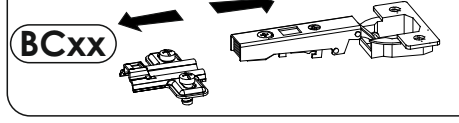
BCxx



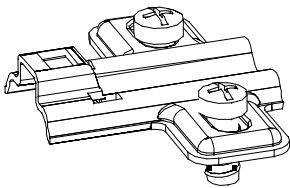
BCxx + BCxx



BCxx

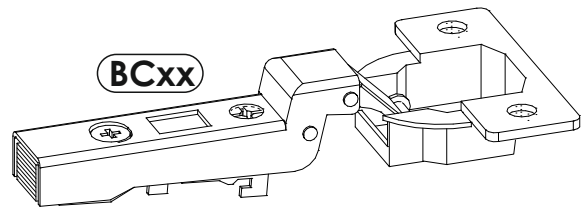


BCxx

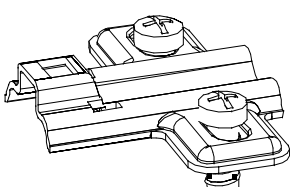


OK

BCxx

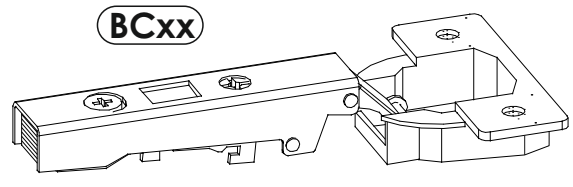


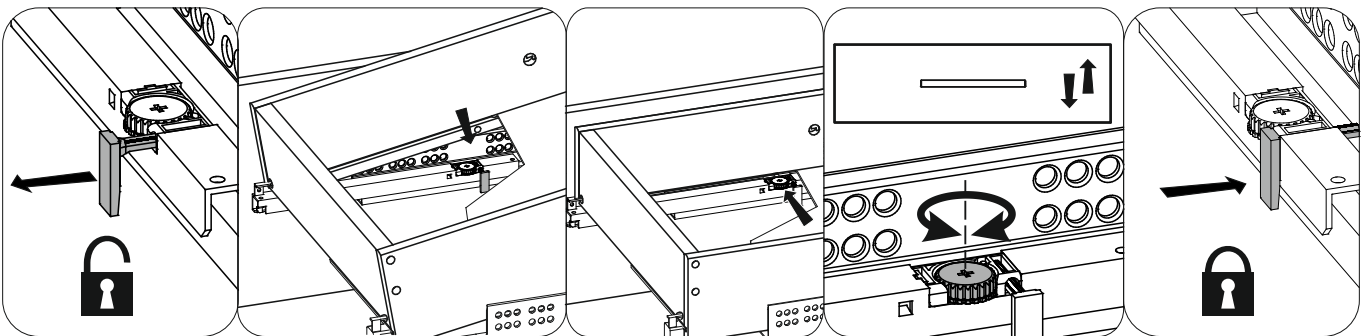
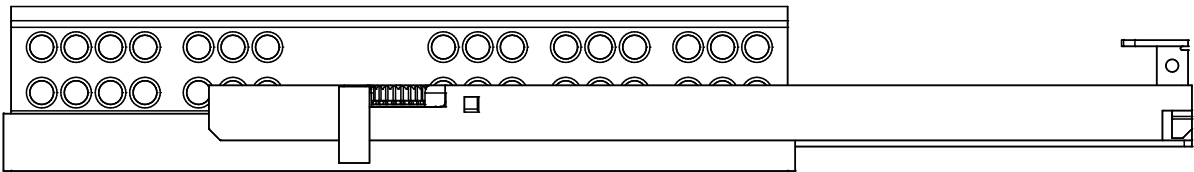
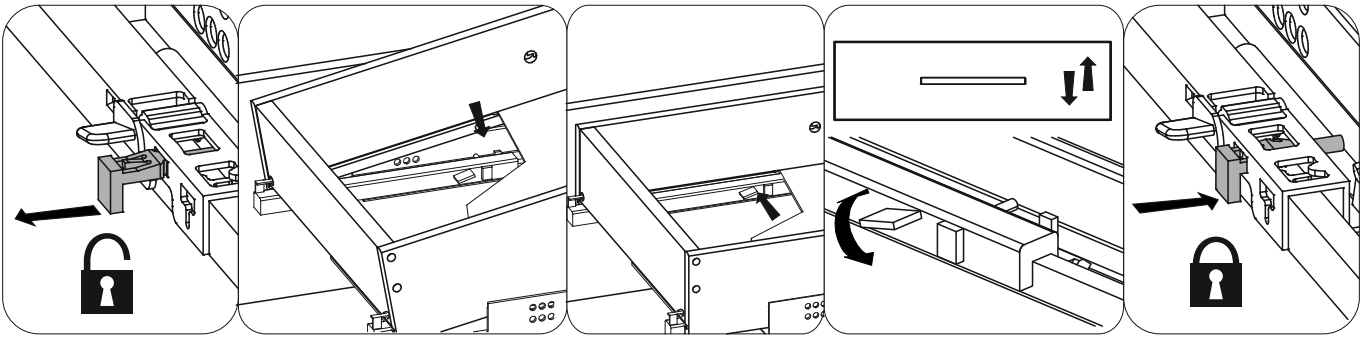
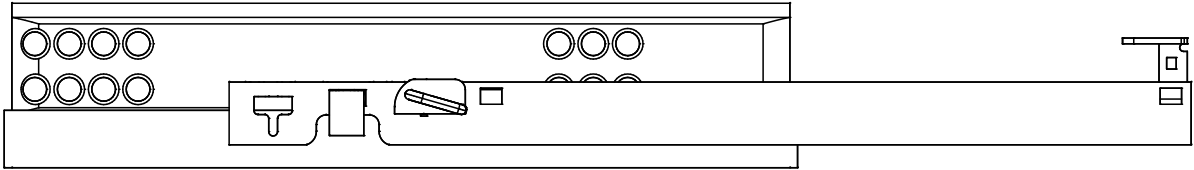
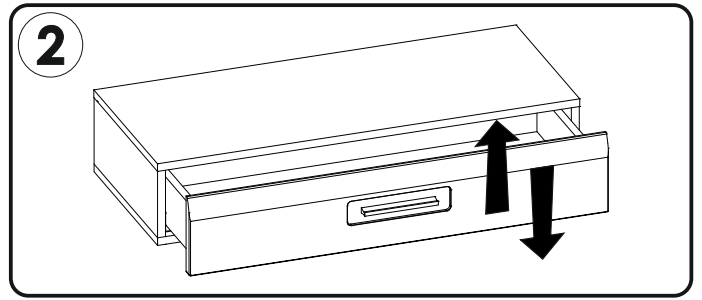
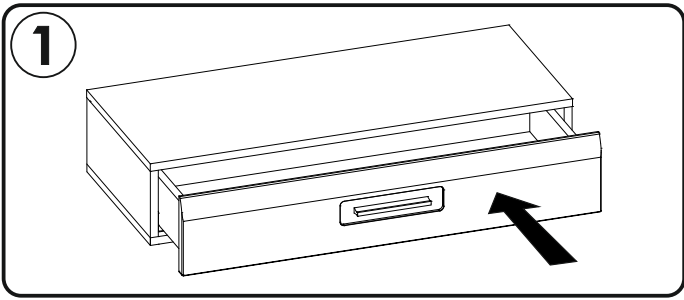
BCxx



OK

BCxx





MM

260

250

240

230

220

210

200

190

180

170

160

150

140

130

120

110

100

90

80

70

60

50

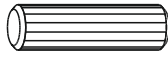
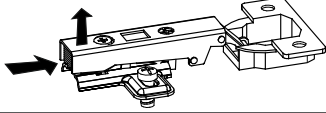
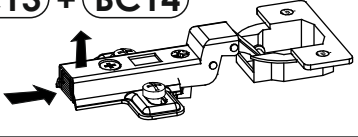


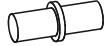




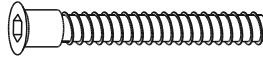

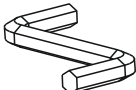


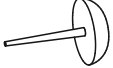

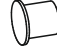

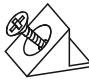
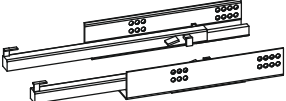
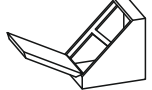
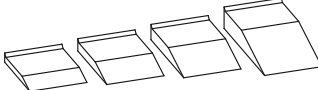
40

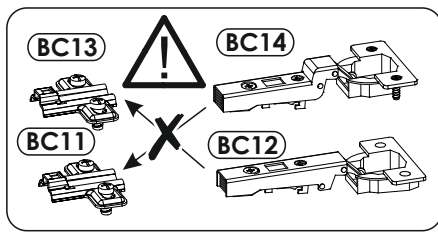
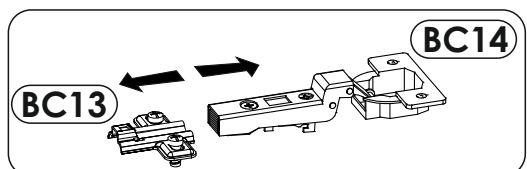
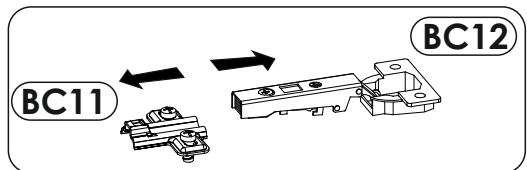
30

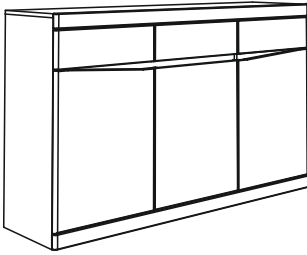
20

10

0

<p><b>A1</b> x 44 <math>\varnothing 8 \times 35</math> mm</p> 	<p><b>BC11</b> + <b>BC12</b> x4</p> 	<p><b>BC13</b> + <b>BC14</b> x2</p> 
<p><b>C1</b> x 12 EURO 4 x 13 mm</p> 	<p><b>C2</b> x 12 EURO 5 x 13 mm</p> 	<p><b>D2</b> x 12</p> 
<p><b>E0</b> x 20</p> 	<p><b>E1</b> x 22 <math>\varnothing 15 \times 12</math> mm</p> 	<p><b>F1</b> x 22</p> 
<p><b>G0</b> x 14</p> 	<p><b>G1</b> x 14 <math>\varnothing 7 \times 50</math> mm</p> 	<p><b>I2</b> x 2 4 x 16 mm</p> 
<p><b>M</b> x 1</p> 	<p><b>N1</b> x 70 3 x 16 mm</p> 	<p><b>N2</b> x 12 3,5 x 16 mm</p> 
<p><b>O2</b> x 8</p> 	<p><b>Q9</b> x 2</p> 	<p><b>P0</b> x 4 <math>\varnothing 5</math></p> 
<p><b>R1</b> x 10</p> 	<p><b>R4</b> x 3</p> 	<p><b>T10</b> x 3 L-360</p> 
<p><b>W</b> x 6</p> 	<p><b>Z</b> x 1</p> 	

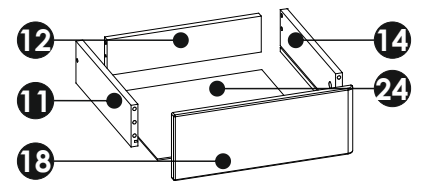
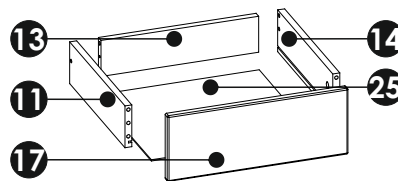
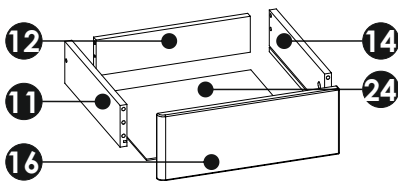
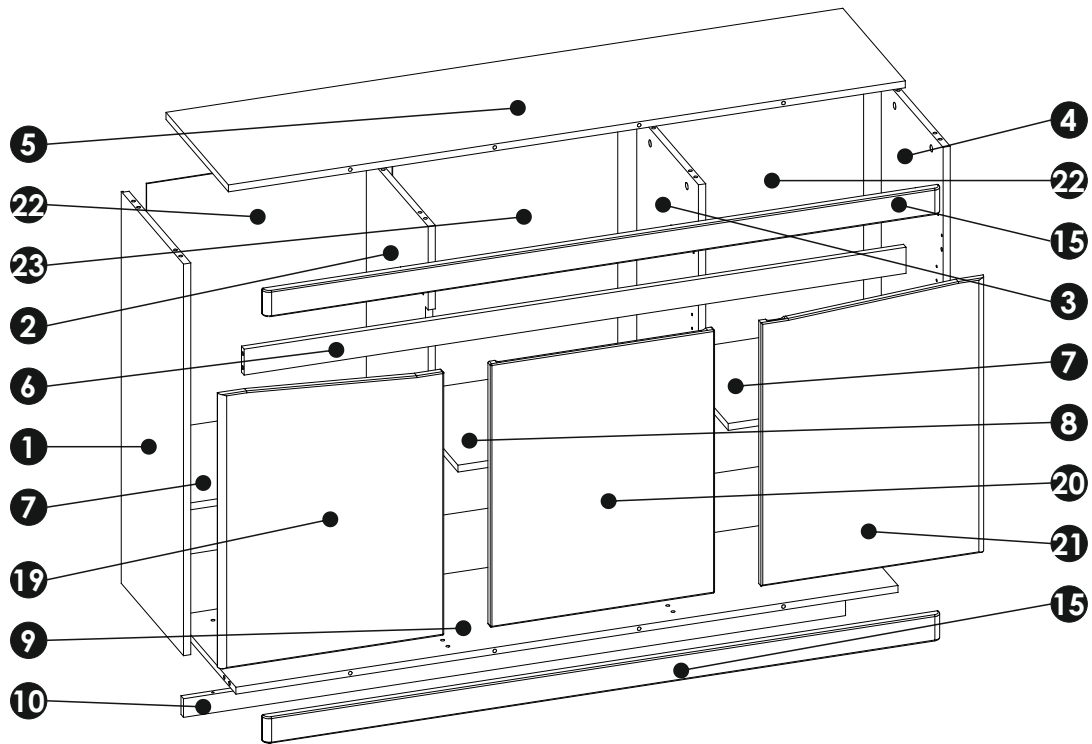


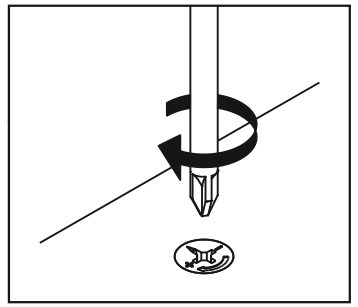
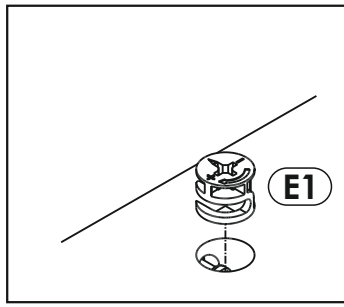
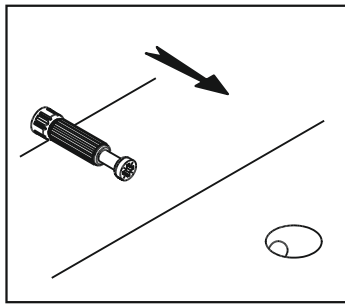
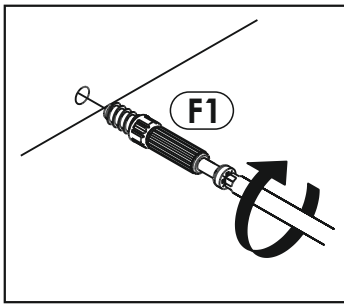


<b>1</b>	900	380	16	x1	1/2
<b>2</b>	841	376	16	x1	2/2
<b>3</b>	841	376	16	x1	2/2
<b>4</b>	900	380	16	x1	1/2
<b>5</b>	1500	380	16	x1	2/2

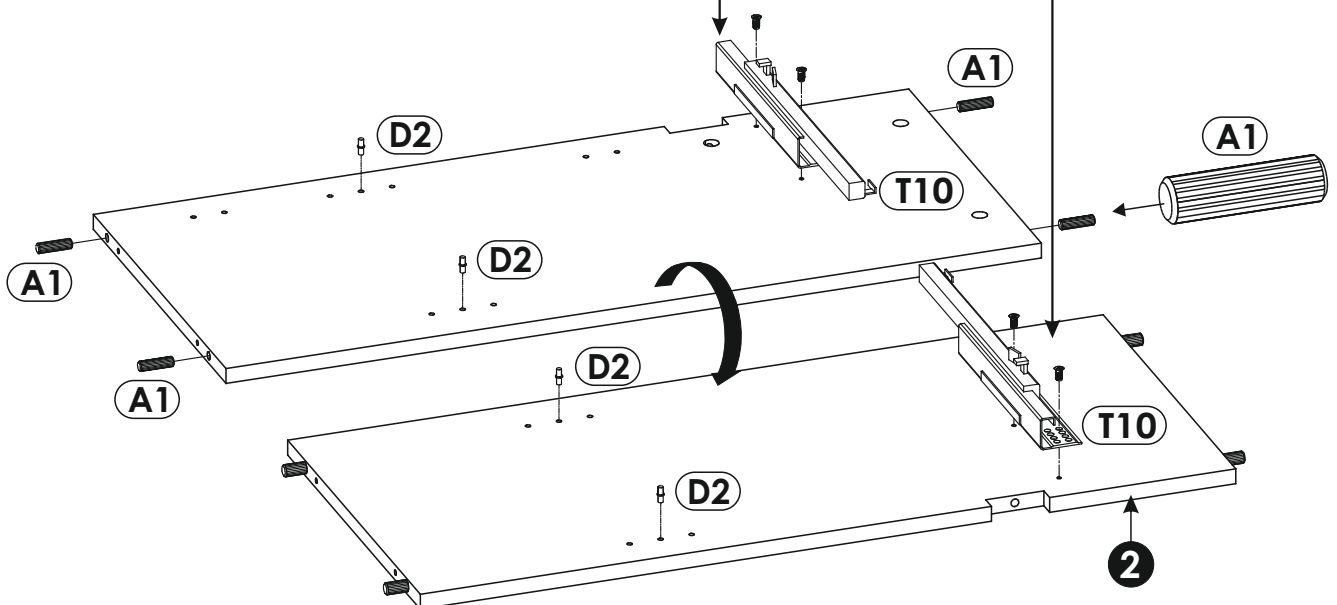
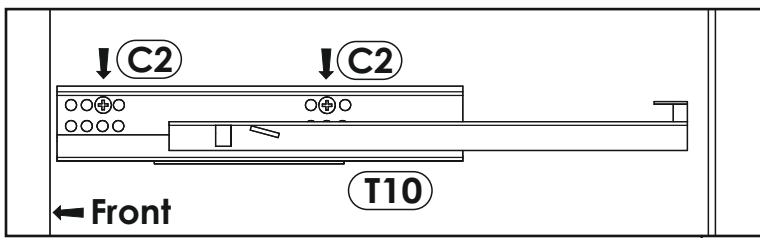
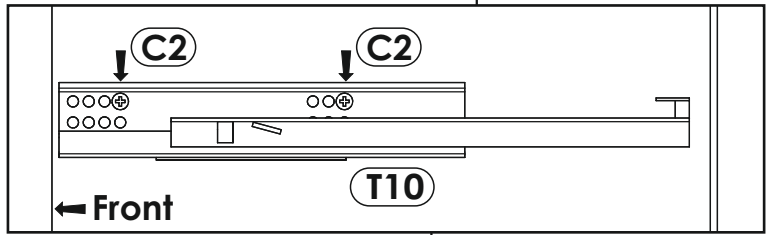
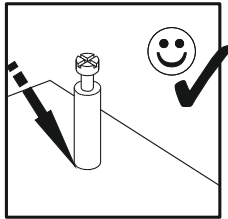
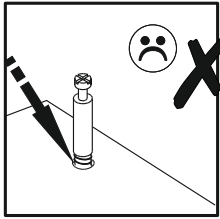
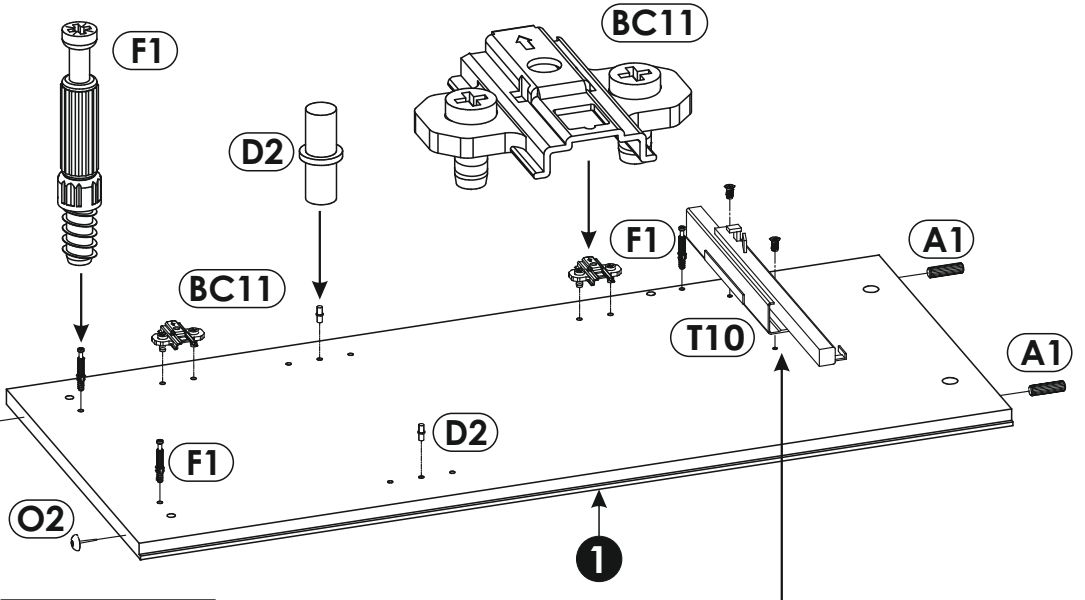
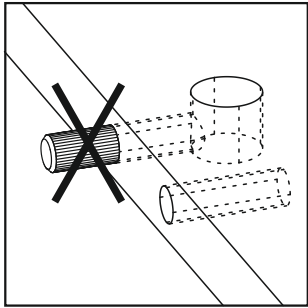
<b>6</b>	1467	60	16	x1	2/2
<b>7</b>	476	360	16	x2	2/2
<b>8</b>	483	360	16	x2	2/2
<b>9</b>	1467	376	16	x1	2/2
<b>10</b>	1467	43	16	x1	2/2
<b>11</b>	350	100	16	x3	1/2
<b>12</b>	436	86	16	x2	2/2
<b>13</b>	443	86	16	x1	2/2
<b>14</b>	350	100	16	x3	1/2
<b>15</b>	1500	60	19	x2	2/2

<b>16</b>	497	157	16	x1	2/2
<b>17</b>	497	157	16	x1	2/2
<b>18</b>	497	157	16	x1	2/2
<b>19</b>	479	630	16	x1	1/2
<b>20</b>	497	605	16	x1	1/2
<b>21</b>	497	630	16	x1	1/2
<b>22</b>	866	495	3	x2	1/2
<b>23</b>	866	499	3	x1	1/2
<b>24</b>	451	355	3	x2	2/2
<b>25</b>	458	355	3	x1	2/2

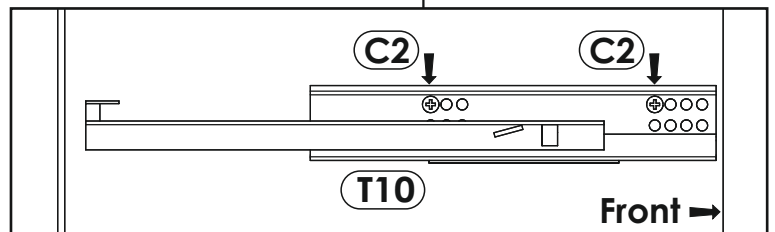
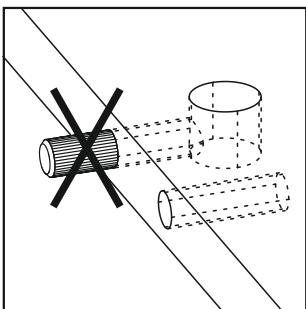
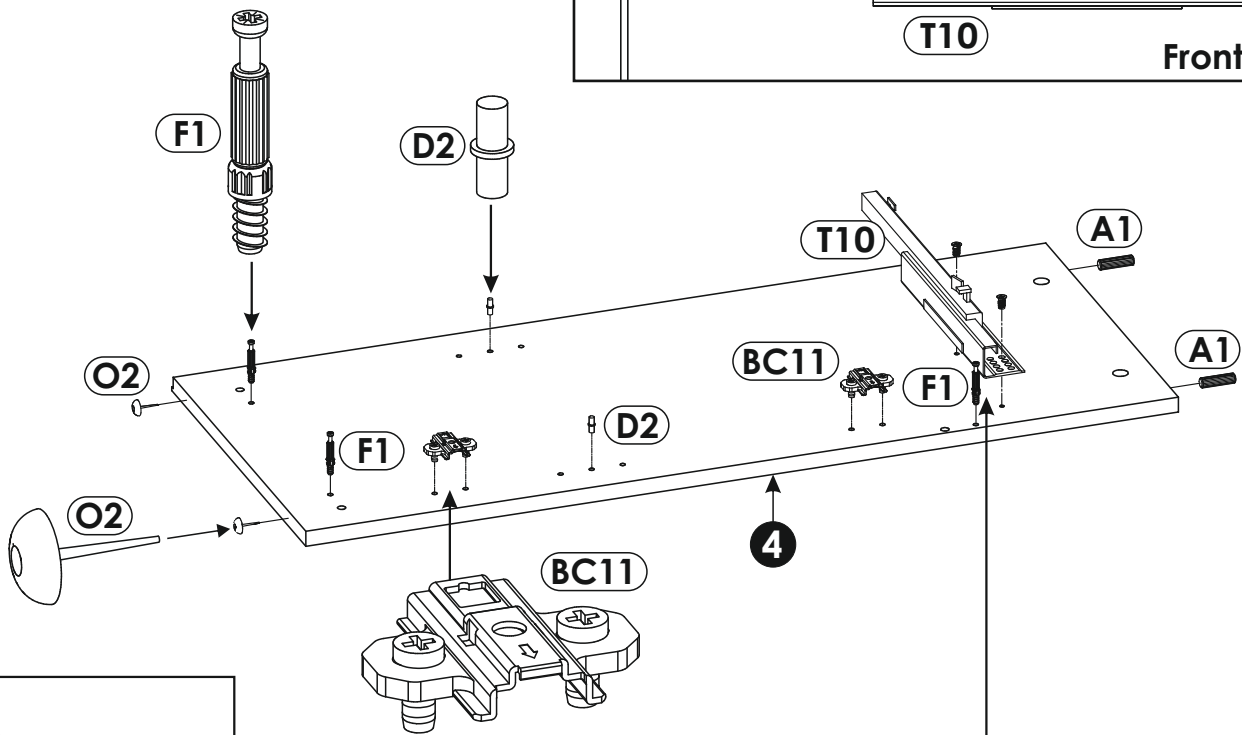
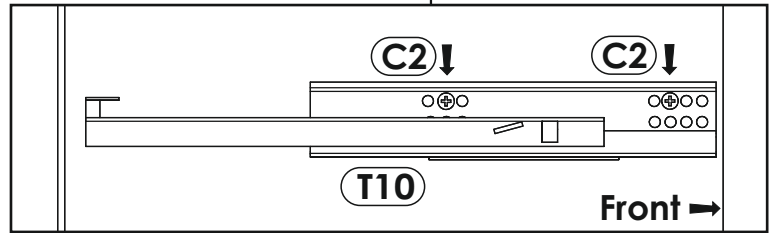
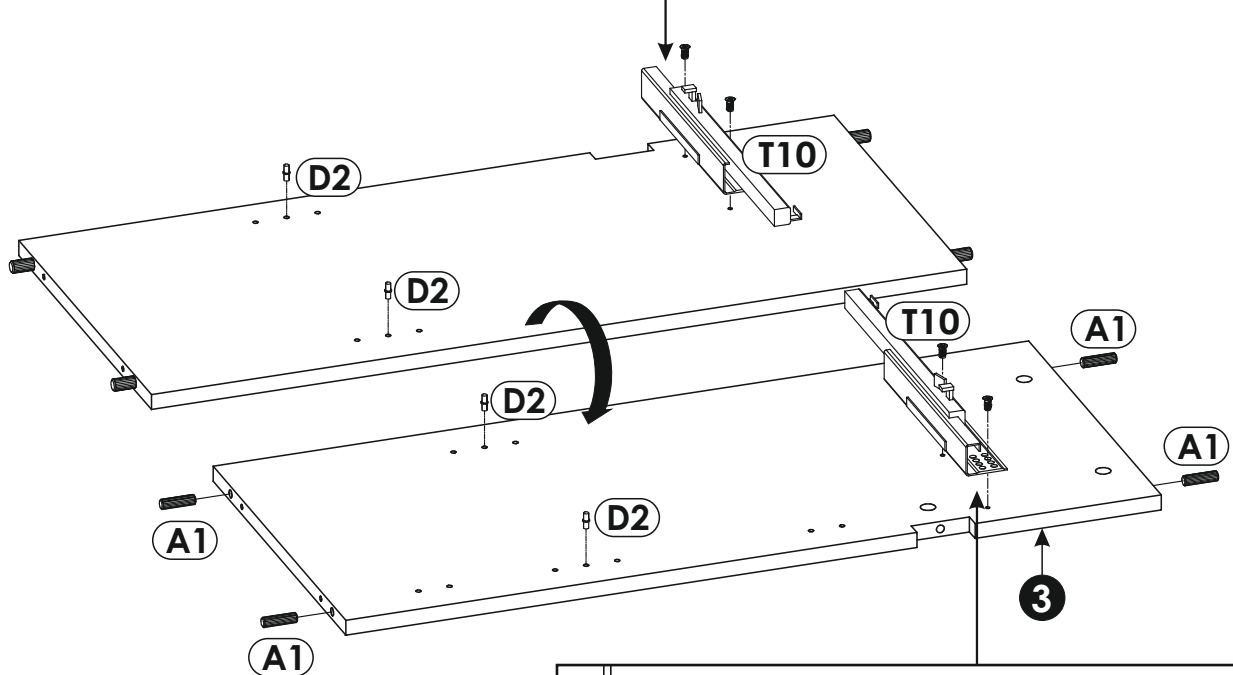
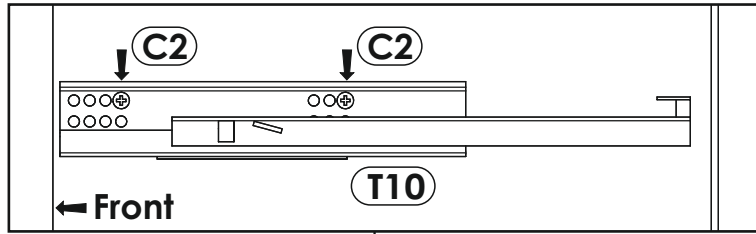




1

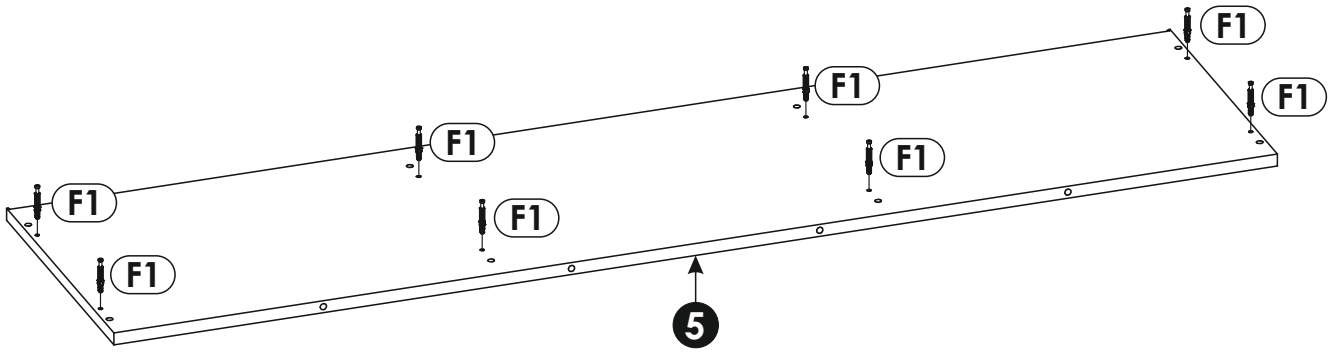


2 ▶

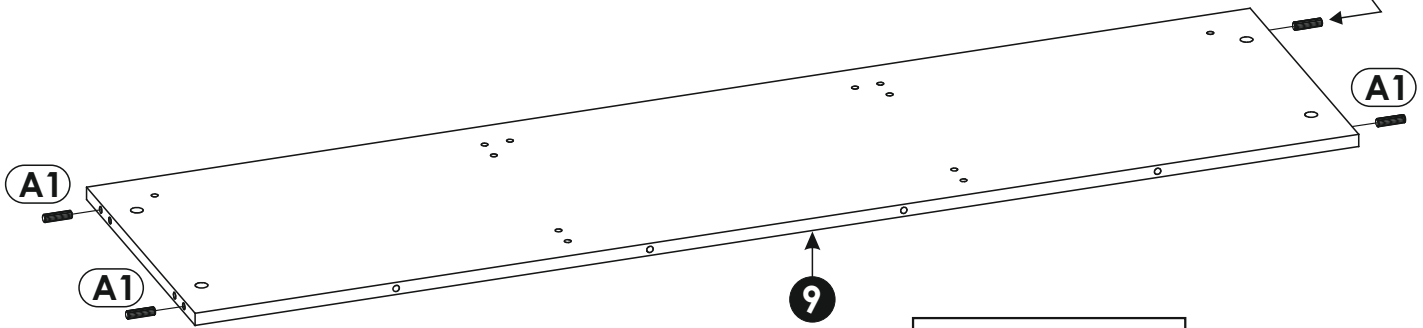
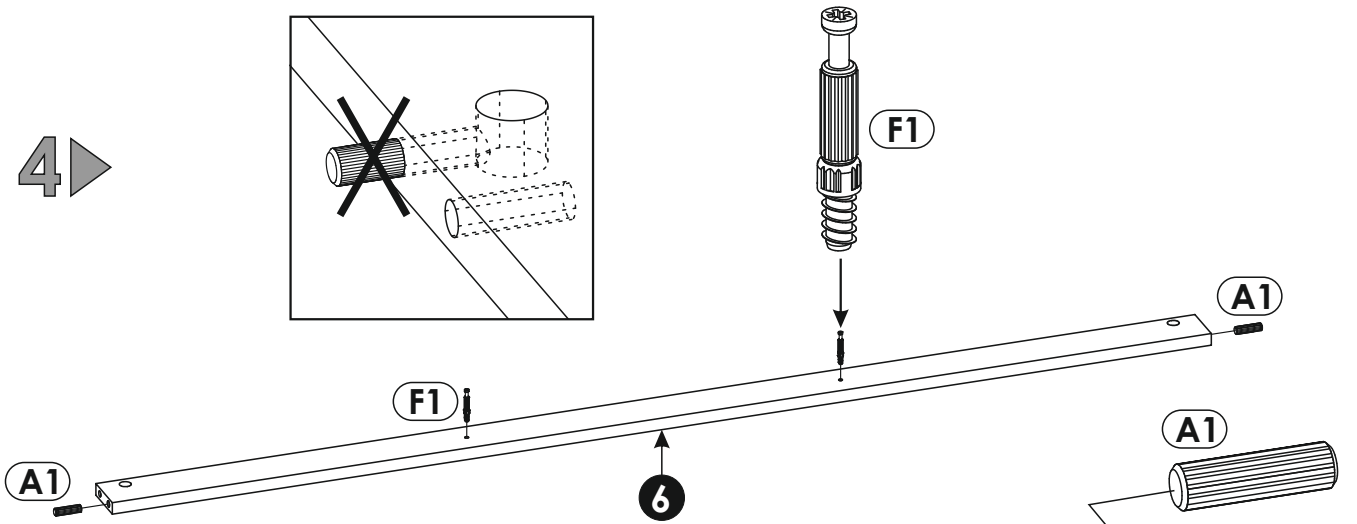
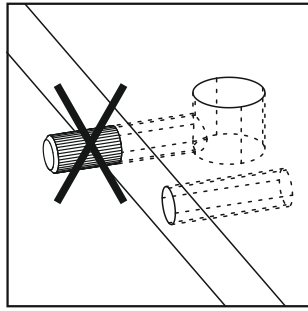




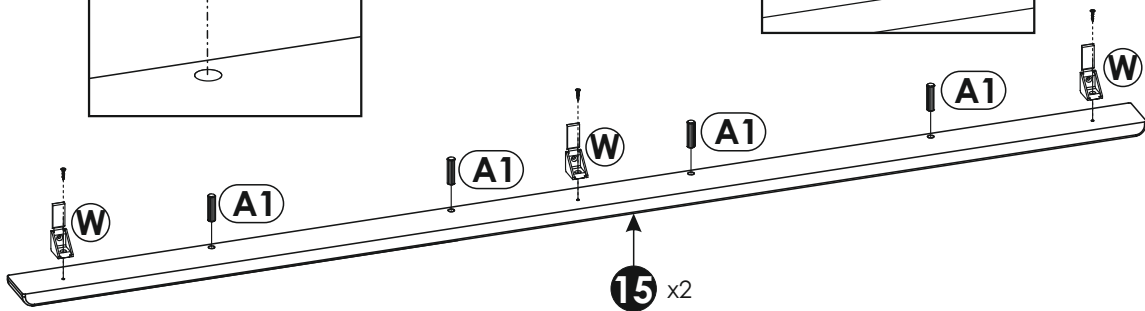
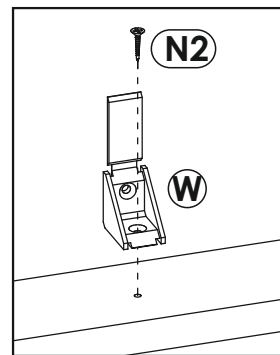
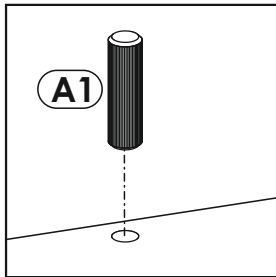
3 ▶



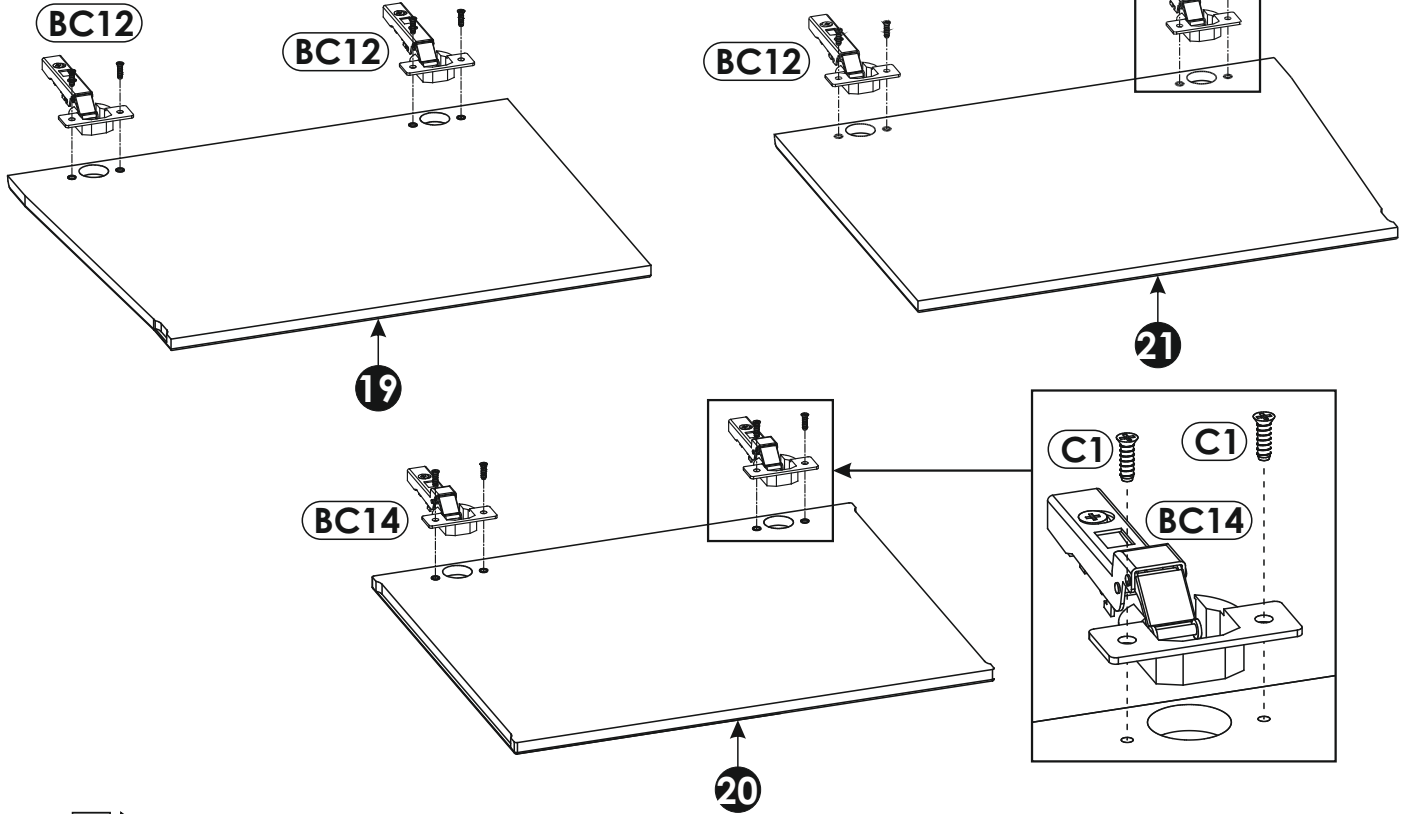
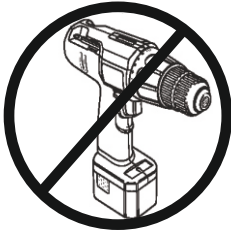
4 ▶



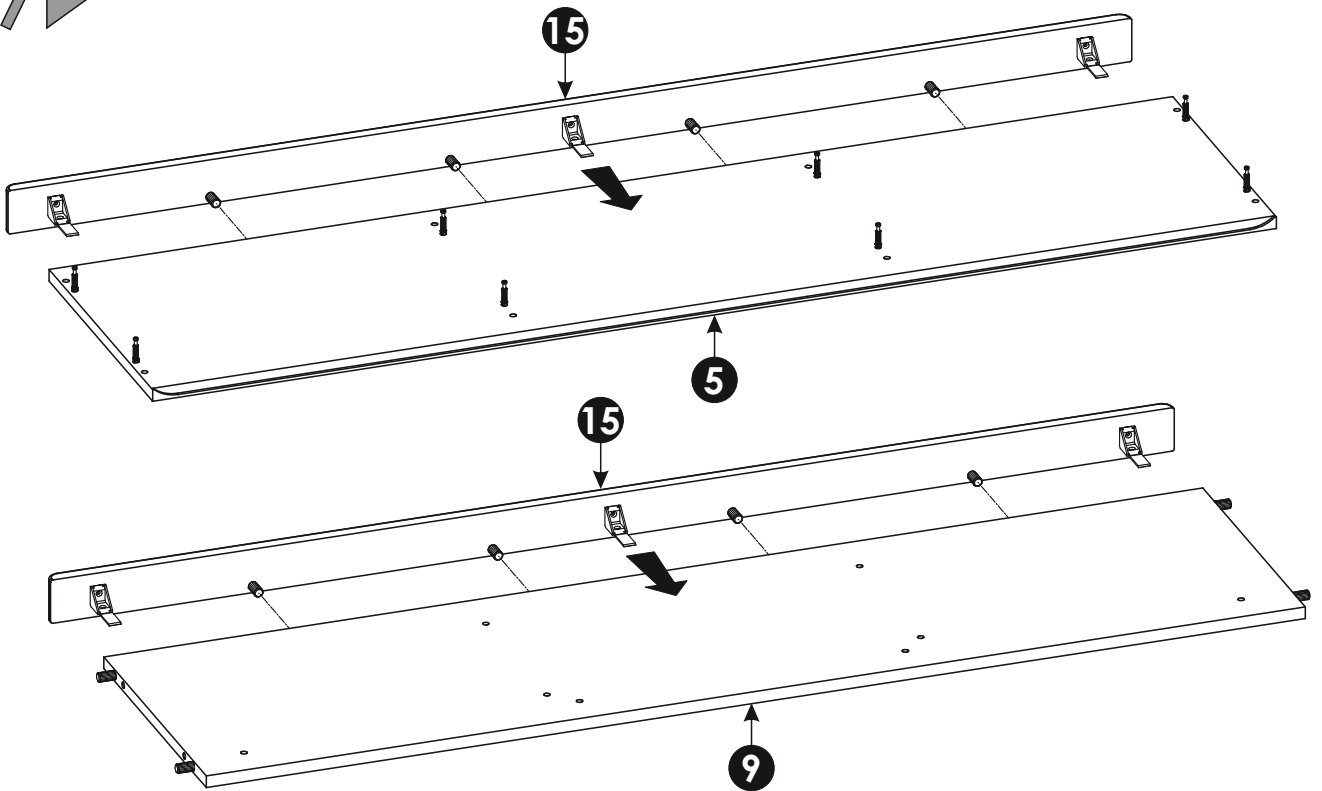
5 ▶



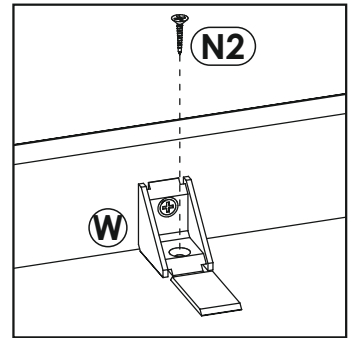
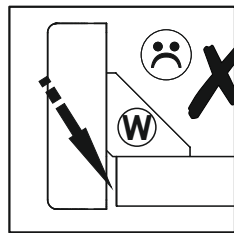
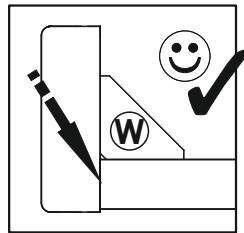
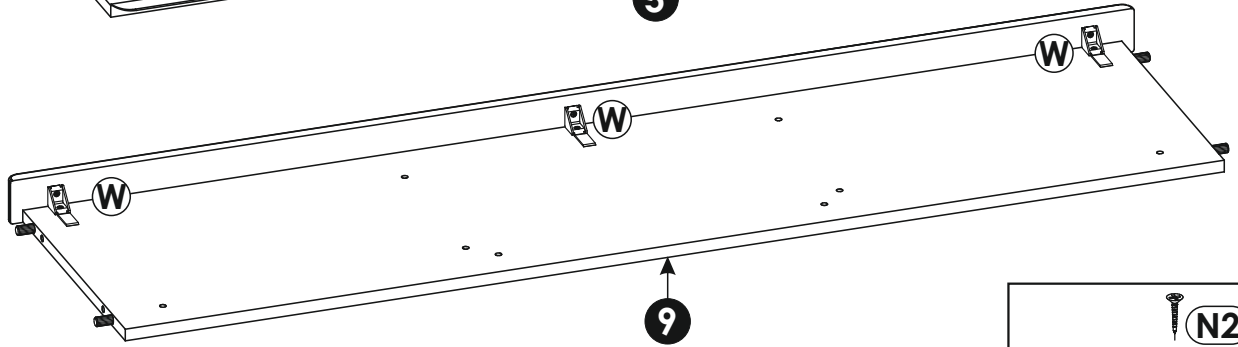
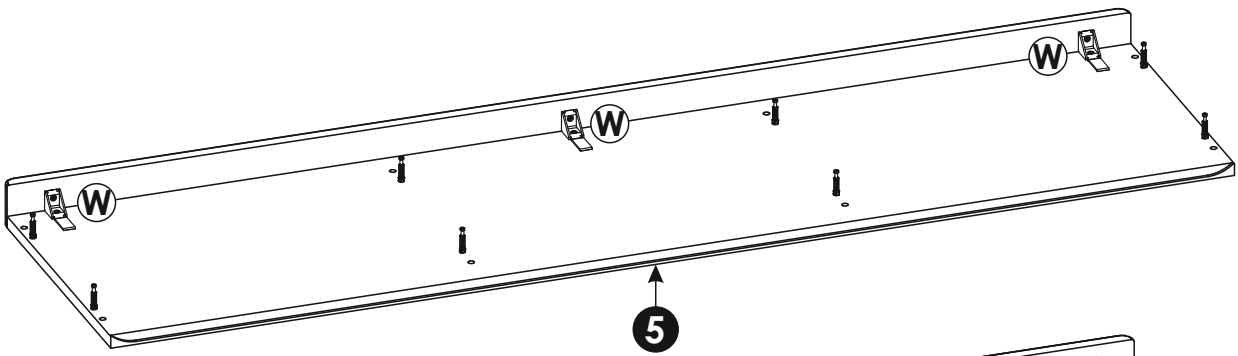
6 ▶



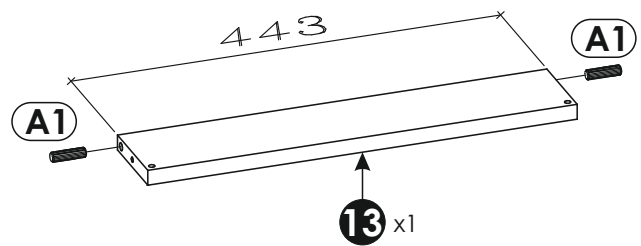
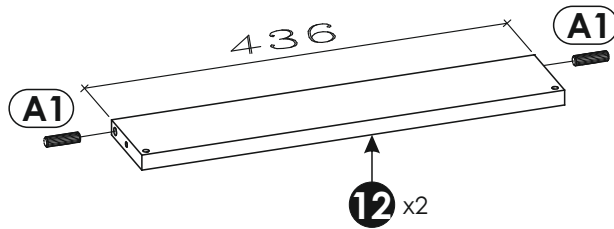
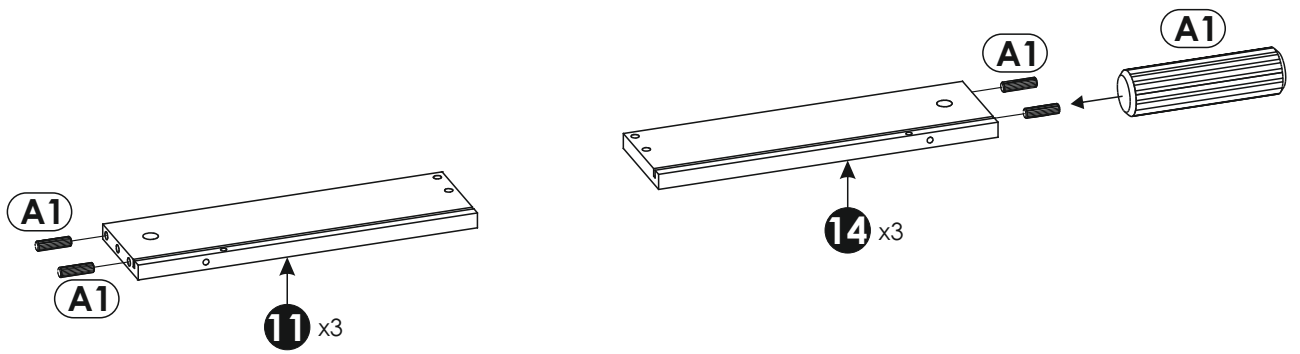
7 ▶



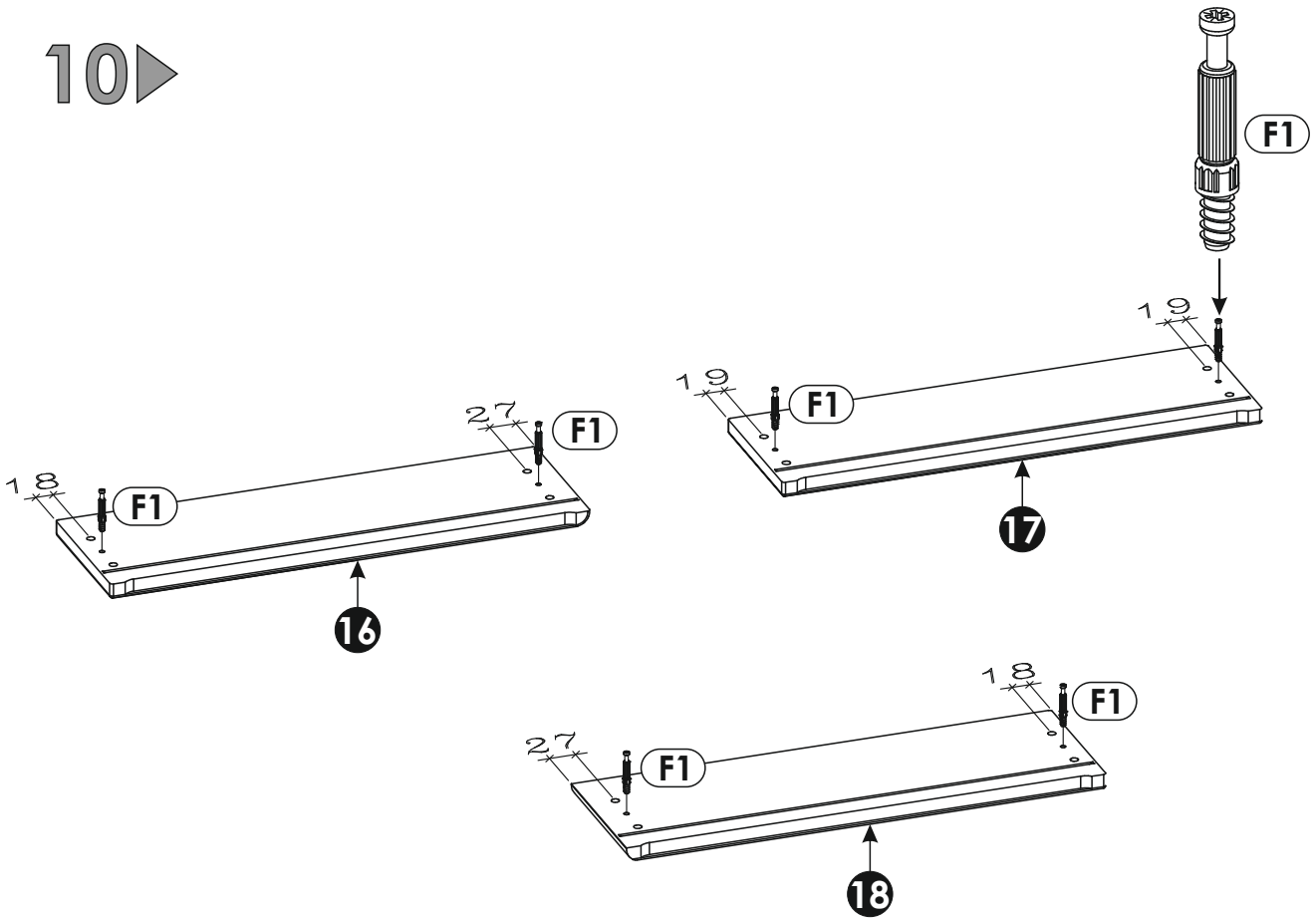
8 ▶



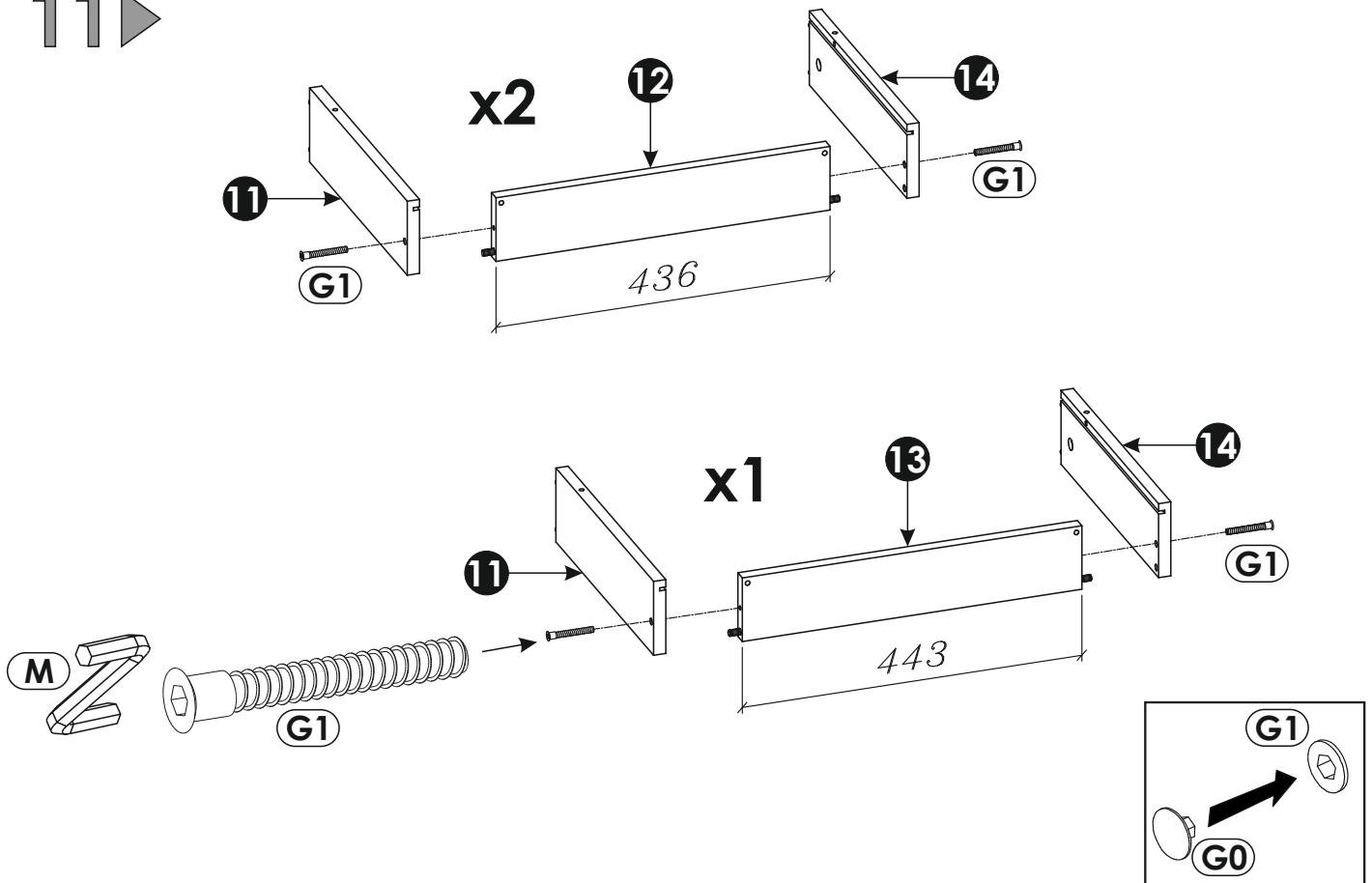
9 ▶



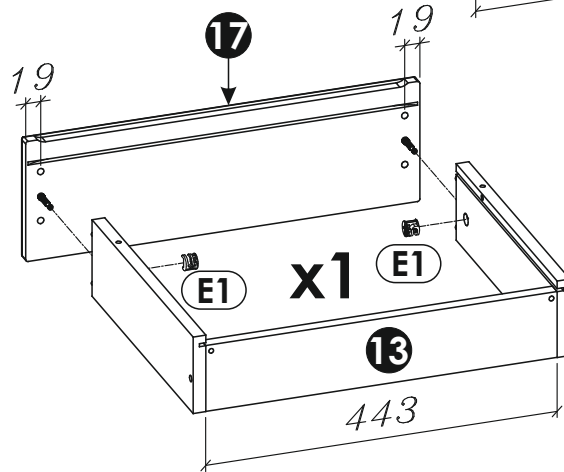
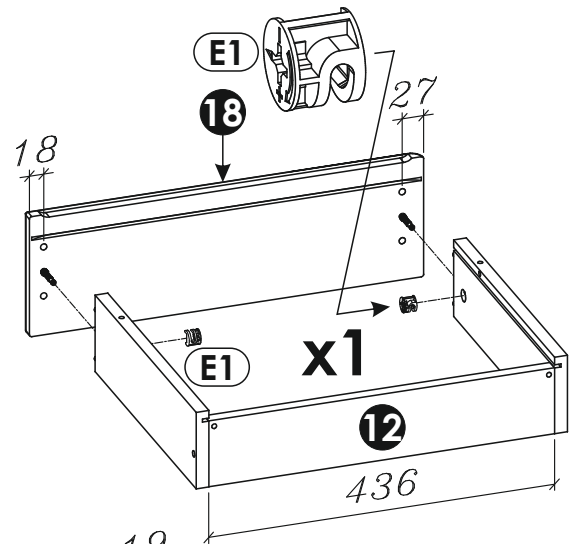
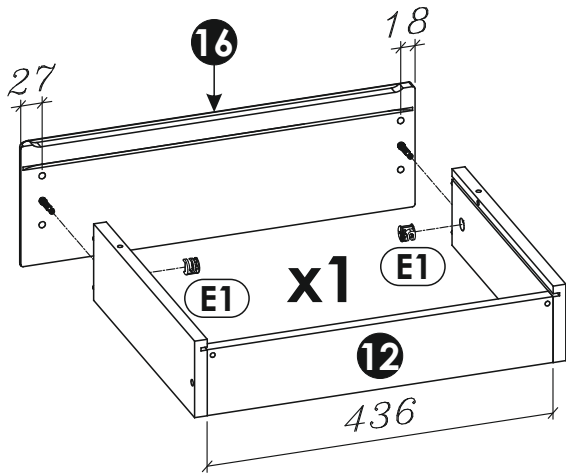
# 10 ▶



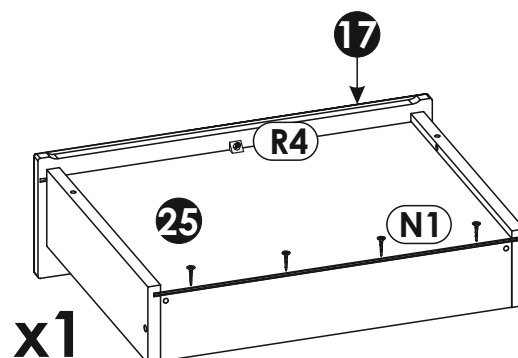
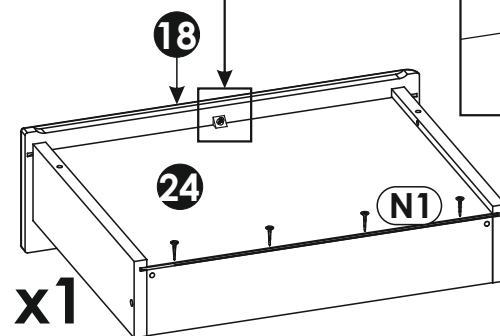
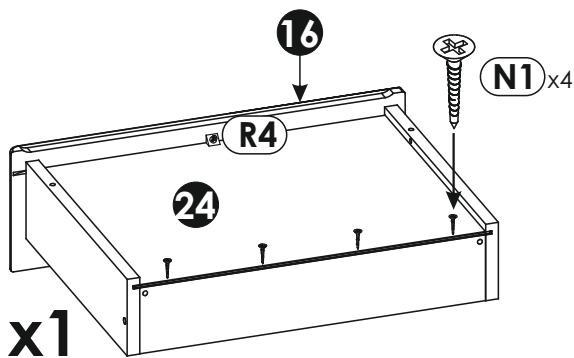
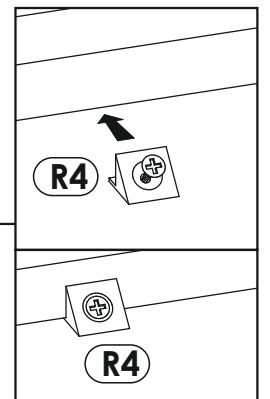
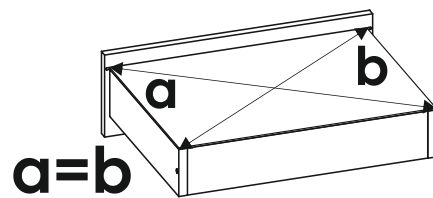
# 11 ▶



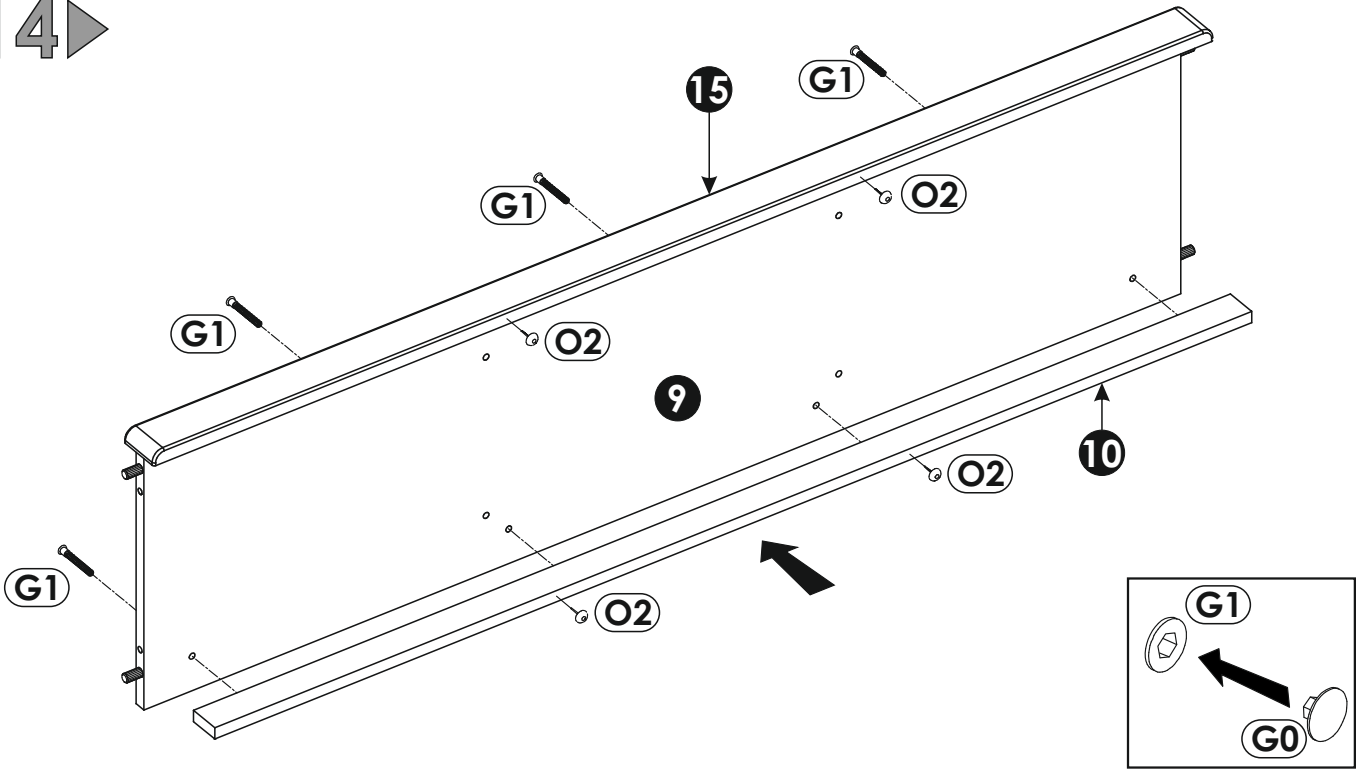
# 12▶



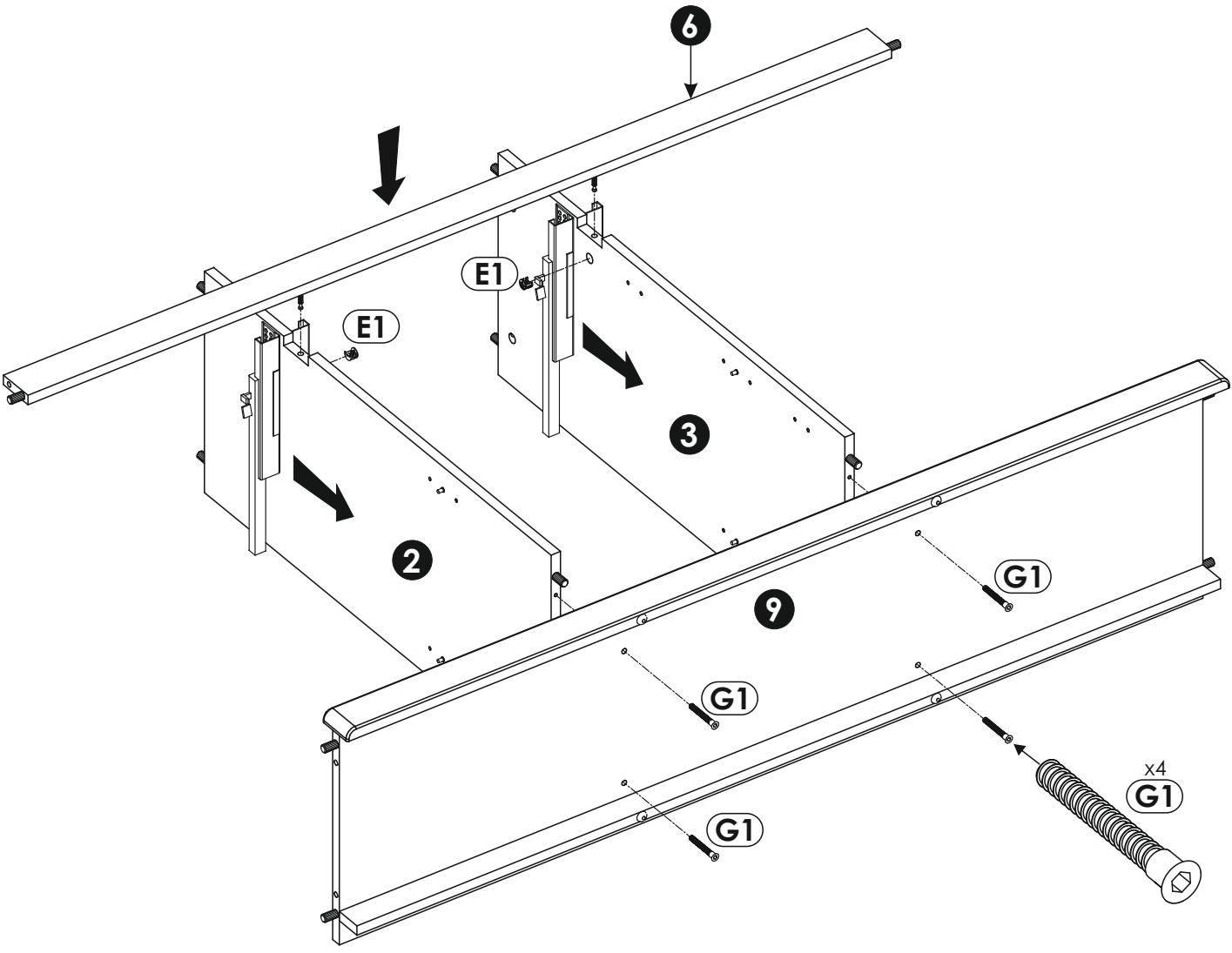
# 13▶



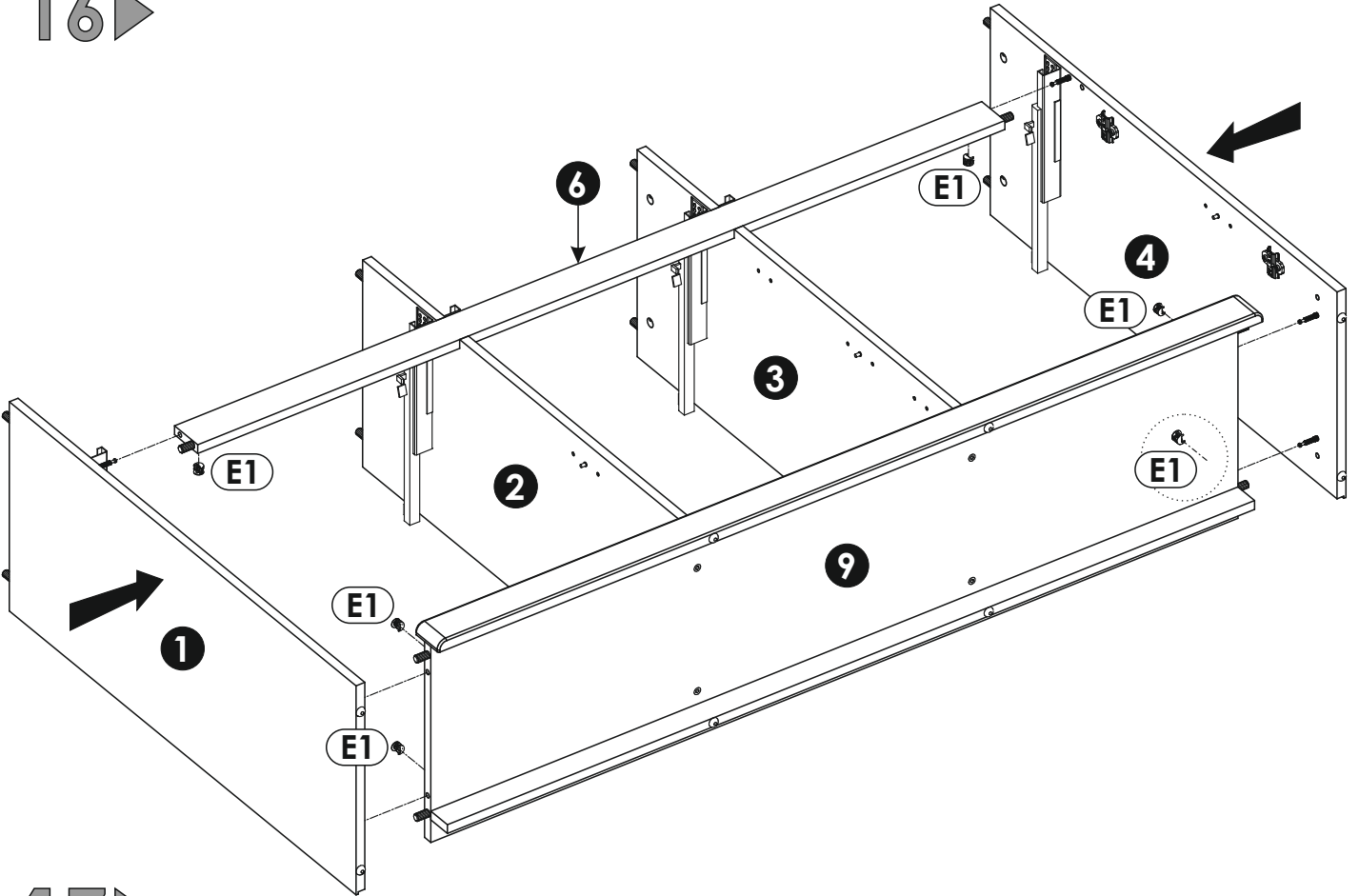
14▶



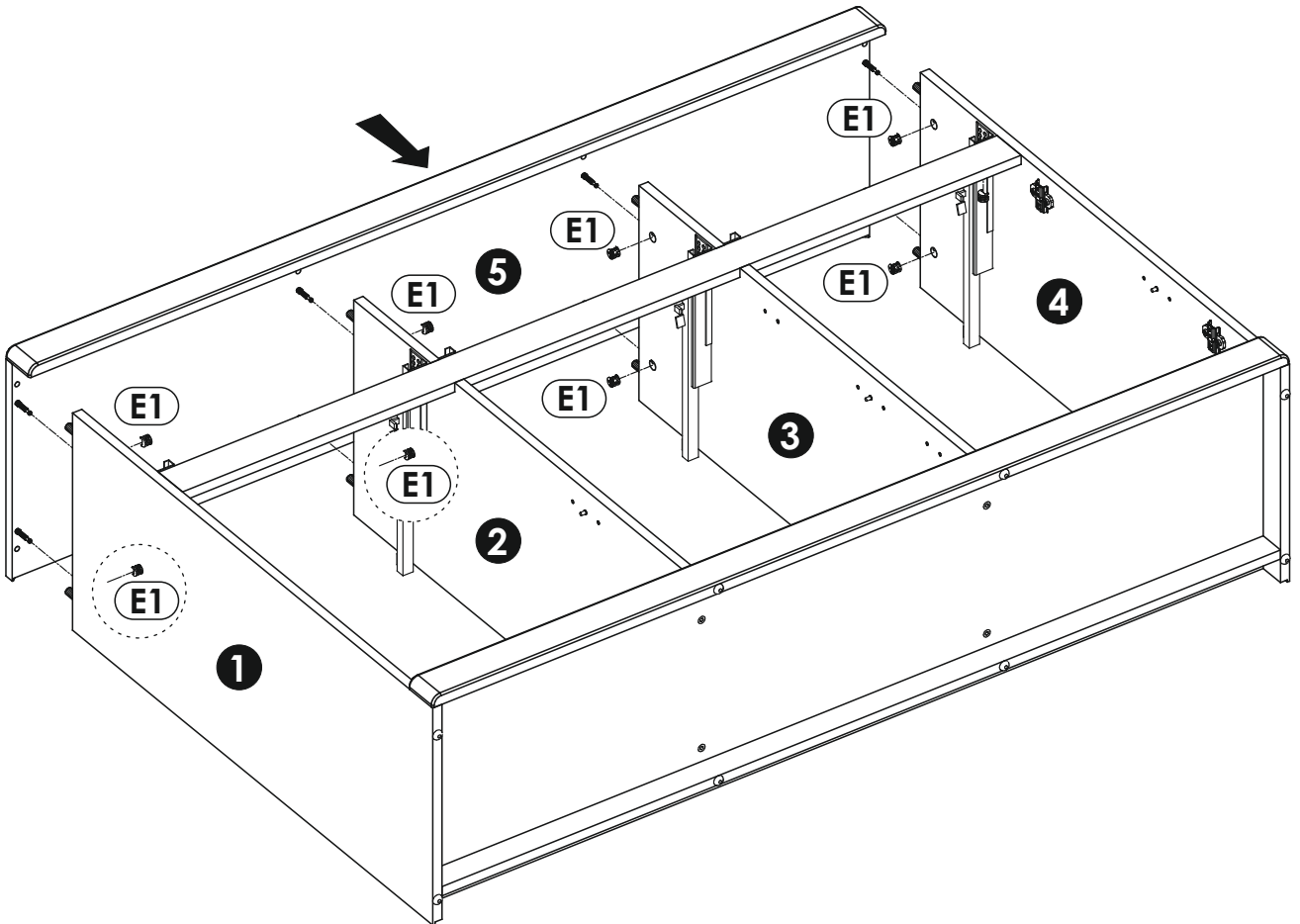
15▶



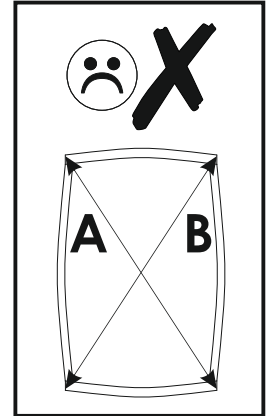
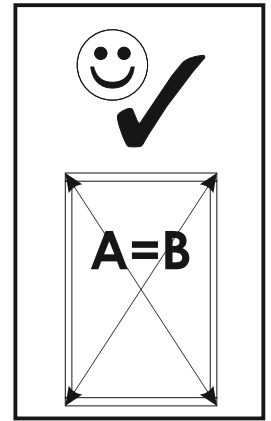
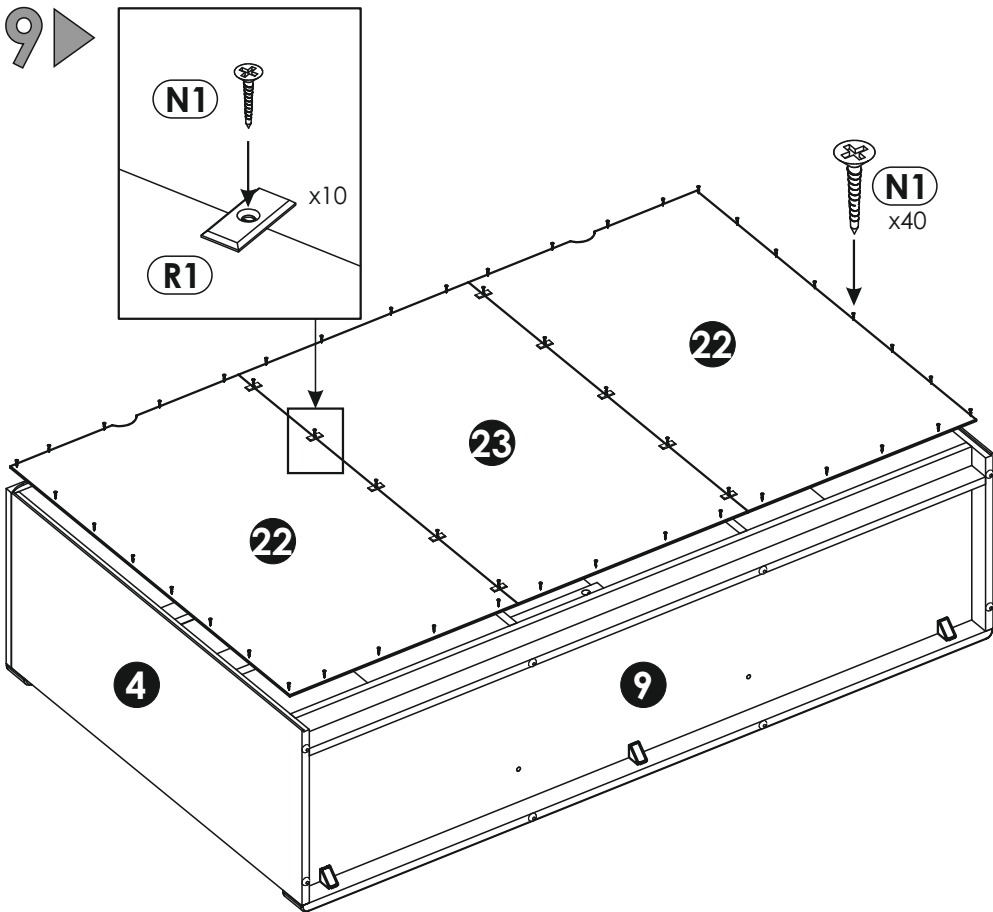
16 ▶



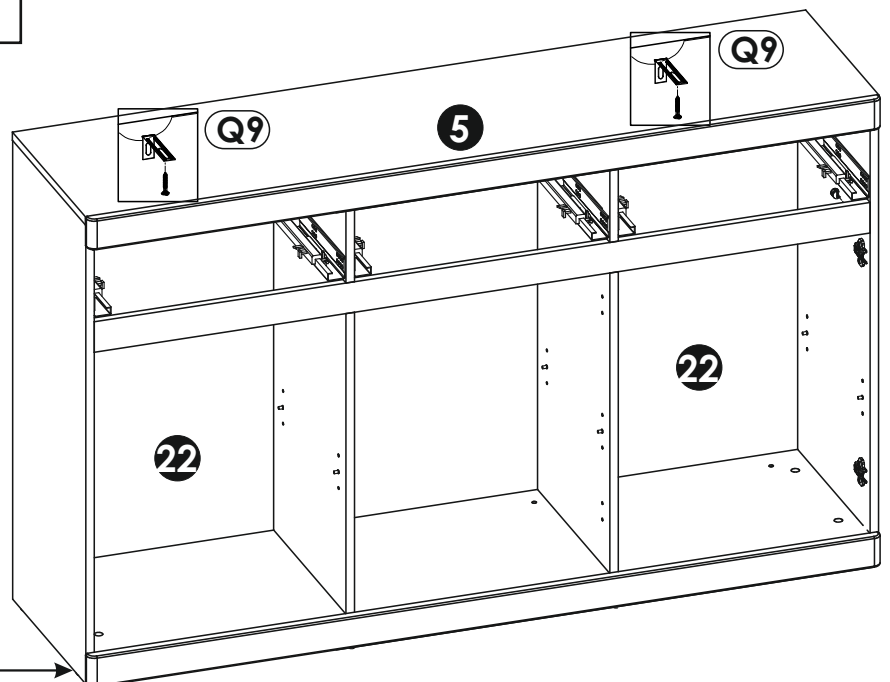
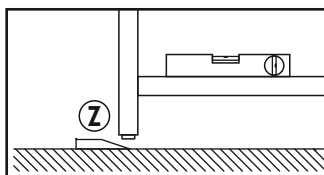
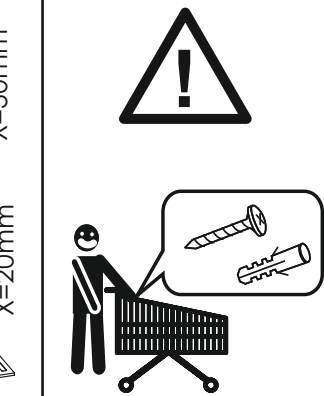
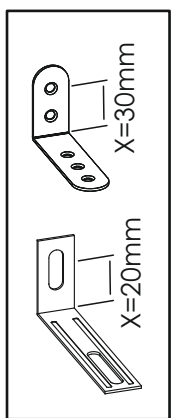
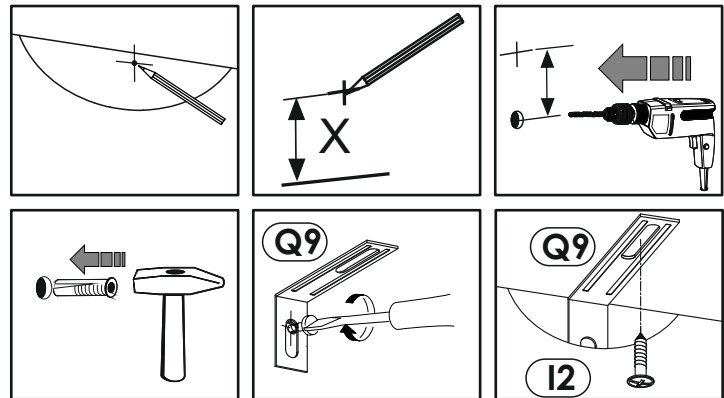
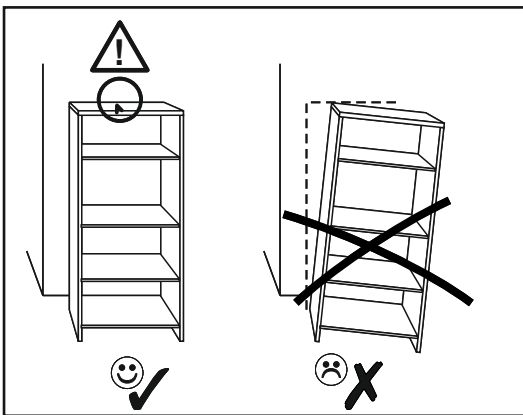
17 ▶



19 ▶

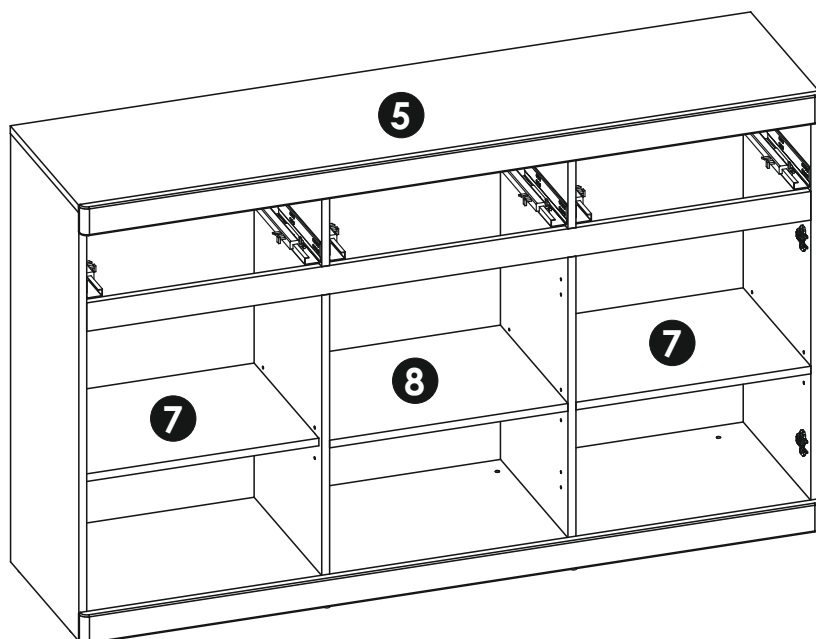
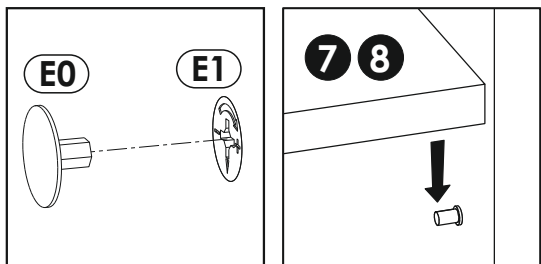


20 ▶





20 ▶



21 ▶

