

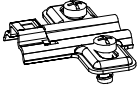


version A

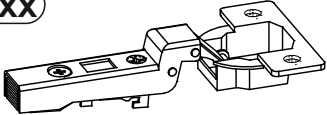


version B

BCxx



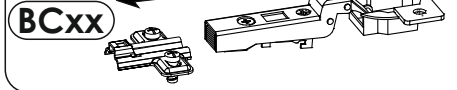
BCxx



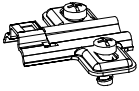
BCxx + BCxx



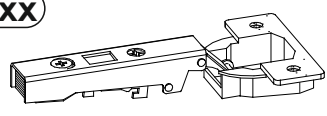
BCxx



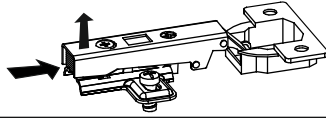
BCxx



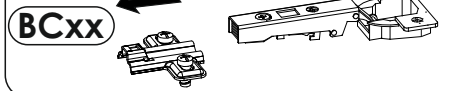
BCxx



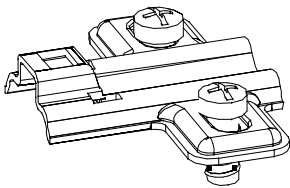
BCxx + BCxx



BCxx

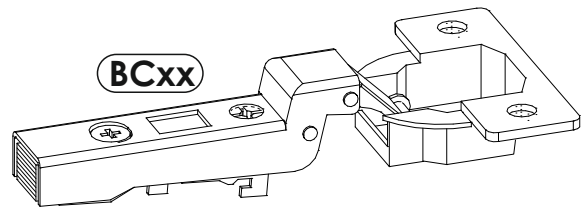


BCxx

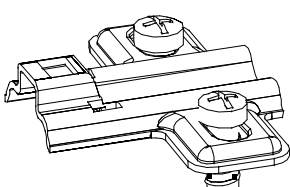


OK

BCxx

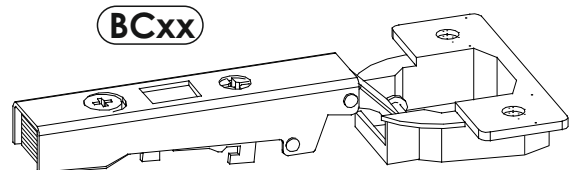


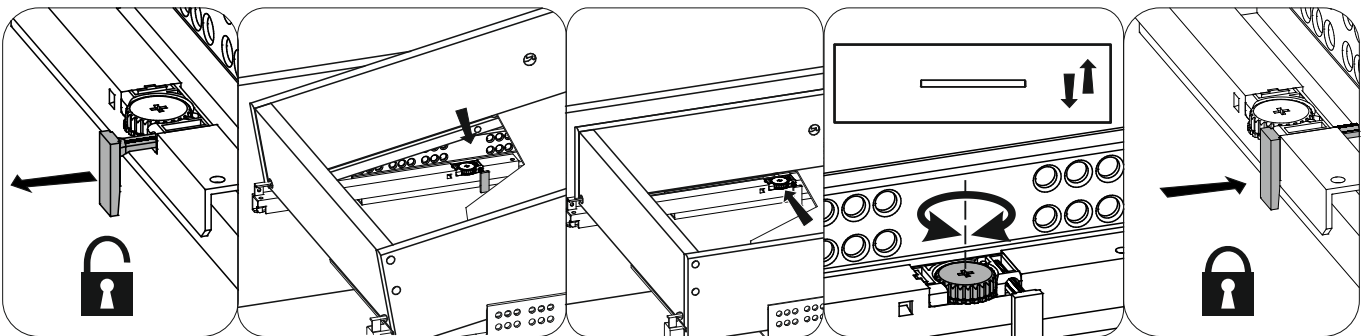
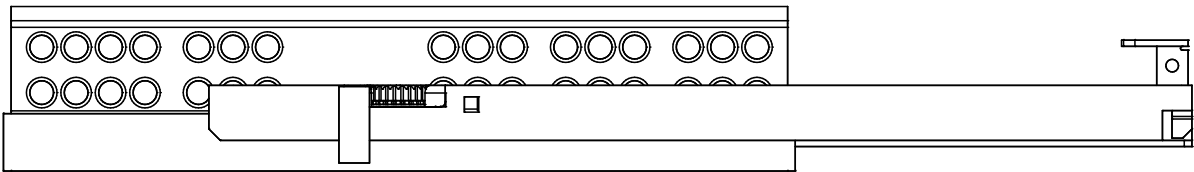
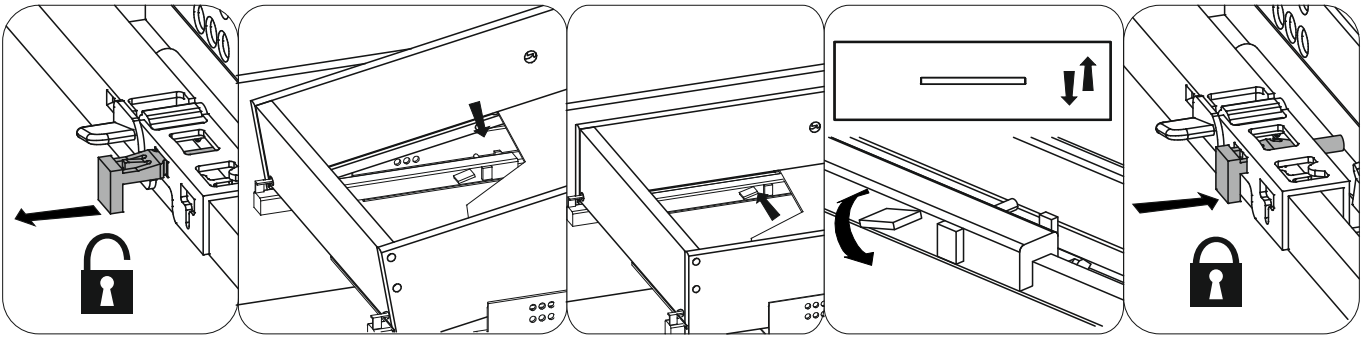
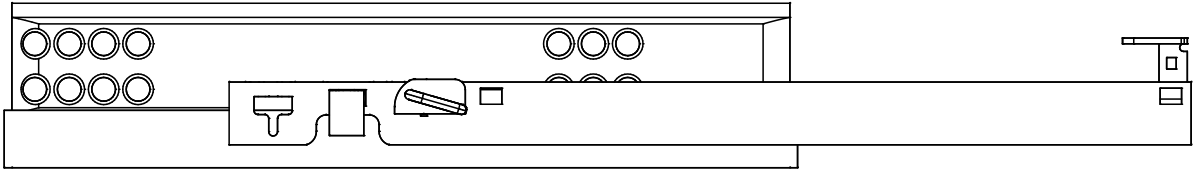
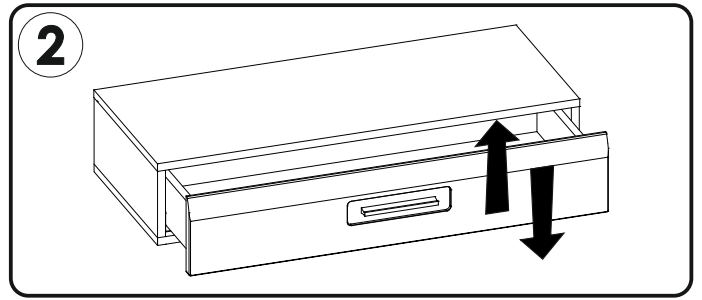
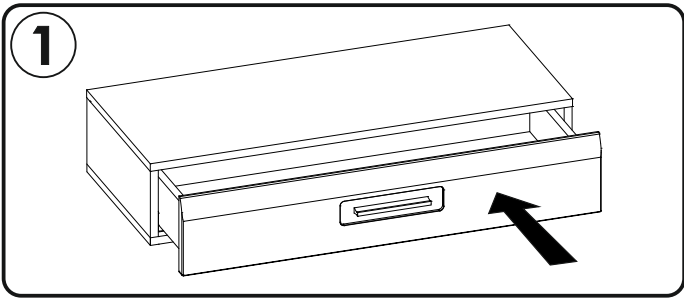
BCxx



OK

BCxx





MM

260

250

240

230

220

210

200

190

180

170

160

150

140

130

120

110

100

90

80

70

60

50

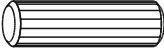
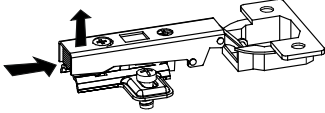
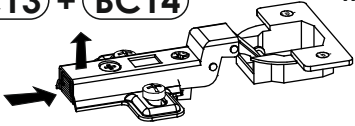



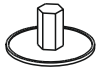




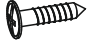
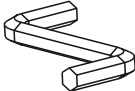


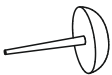


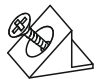
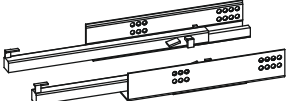
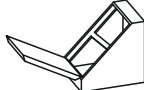
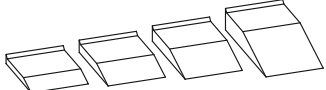
40

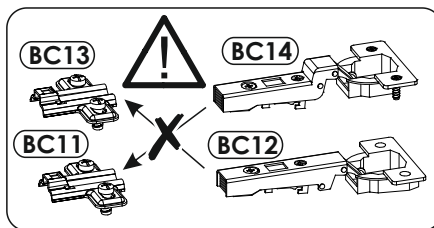
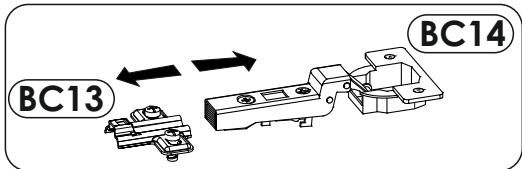
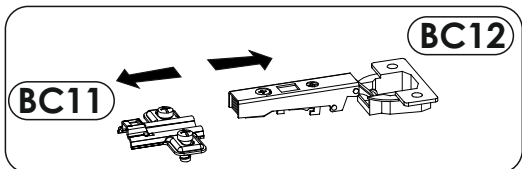
30

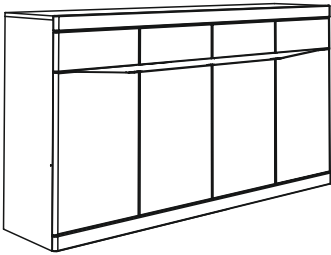
20

10

0

<p>A1 x 54 $\varnothing 8 \times 35$ mm</p> 	<p>BC11 + BC12 x4</p> 	<p>BC13 + BC14 x4</p> 
<p>C1 x 16 EURO 4 x 13 mm</p> 	<p>C2 x 16 EURO 5 x 13 mm</p> 	<p>D2 x 16</p> 
<p>E0 x 27</p> 	<p>E1 x 27 $\varnothing 15 \times 12$ mm</p> 	<p>F1 x 27</p> 
<p>G0 x 18</p> 	<p>G1 x 18 $\varnothing 7 \times 50$ mm</p> 	<p>I2 x 2 4 x 16 mm</p> 
<p>M x 1</p> 	<p>N1 x 80 3 x 16 mm</p> 	<p>N2 x 16 3,5 x 16 mm</p> 
<p>O2 x 10</p> 	<p>Q9 x 2</p> 	<p>R1 x 15</p> 
<p>R4 x 4</p> 	<p>T10 x 4 L-360</p> 	<p>W x 8</p> 
<p>Z x 1</p> 		

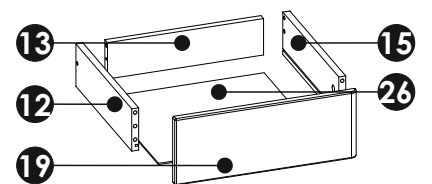
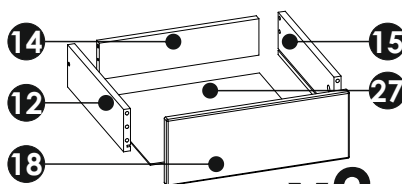
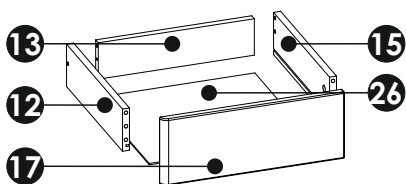
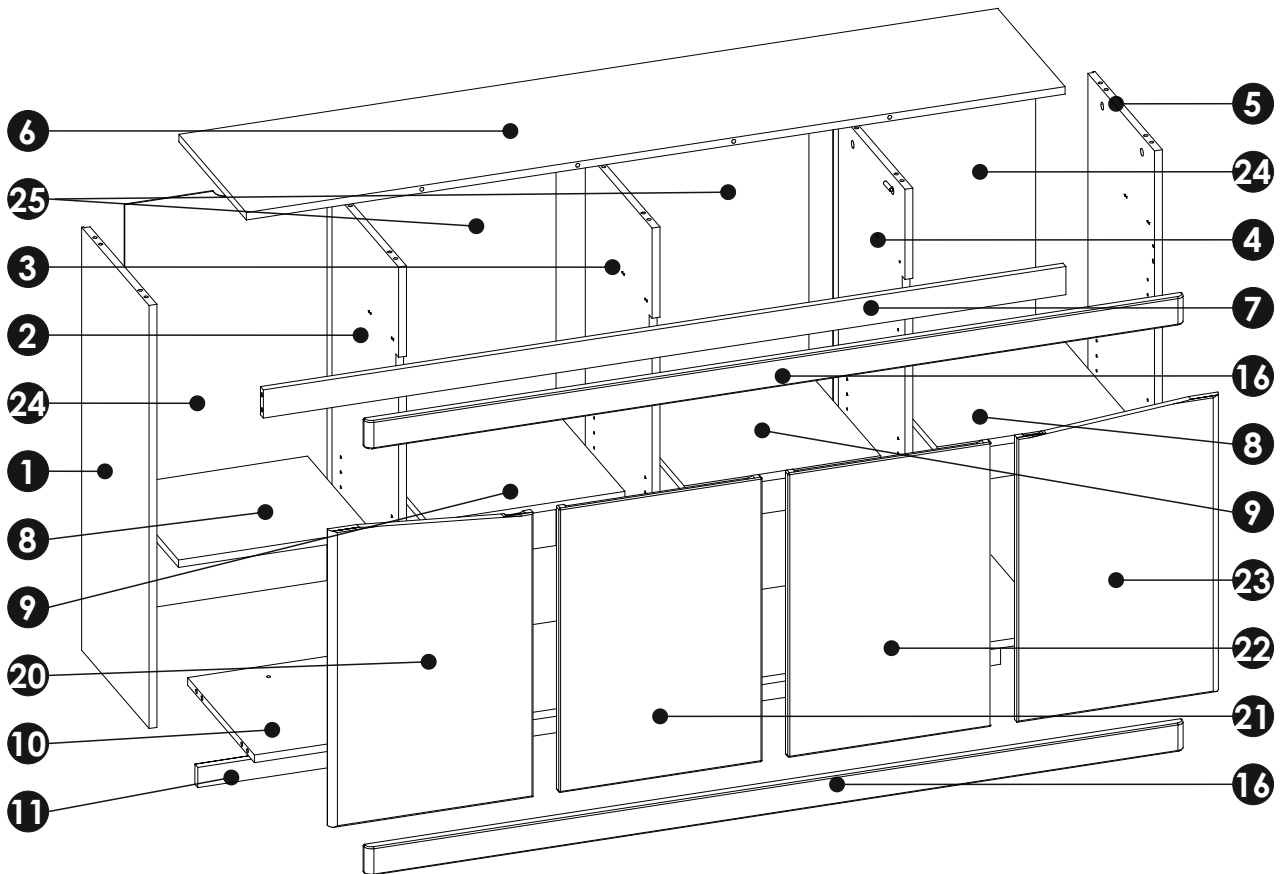




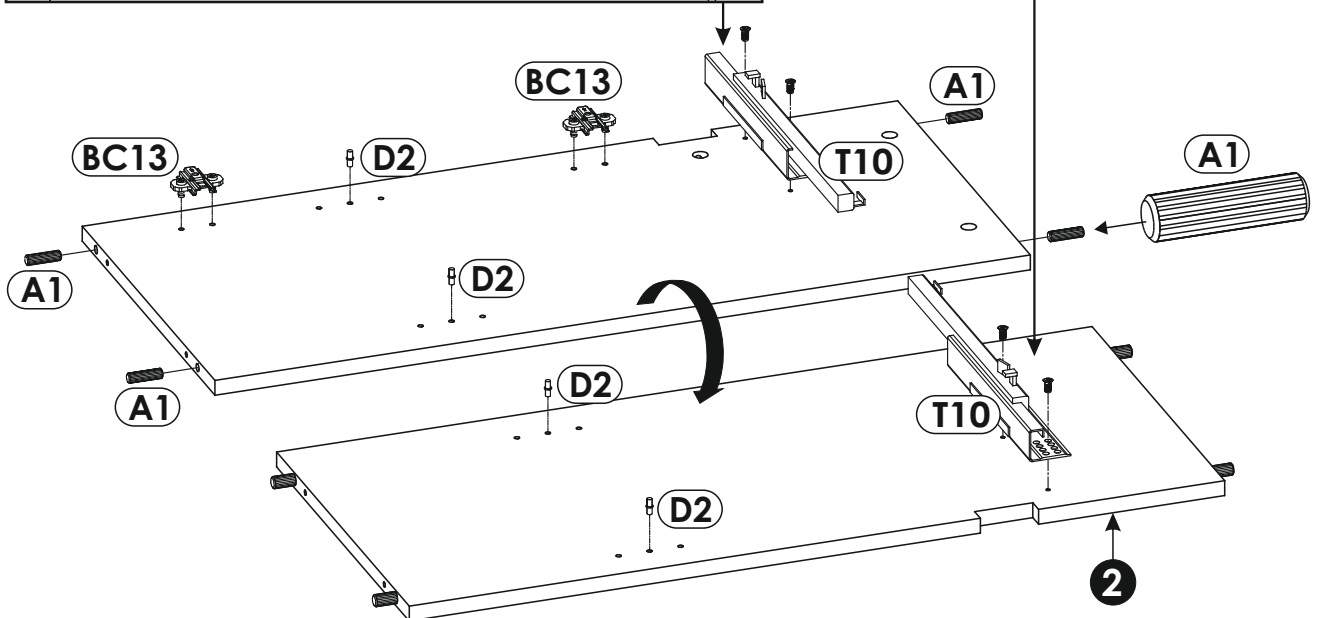
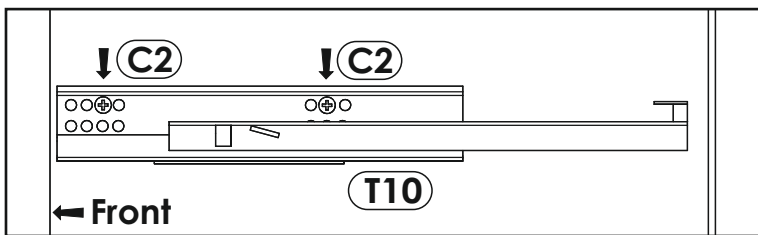
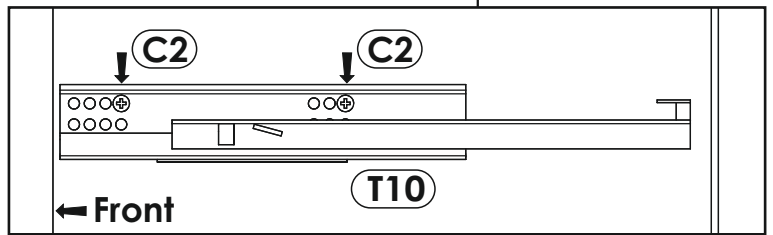
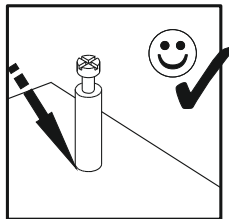
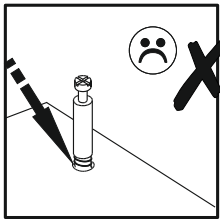
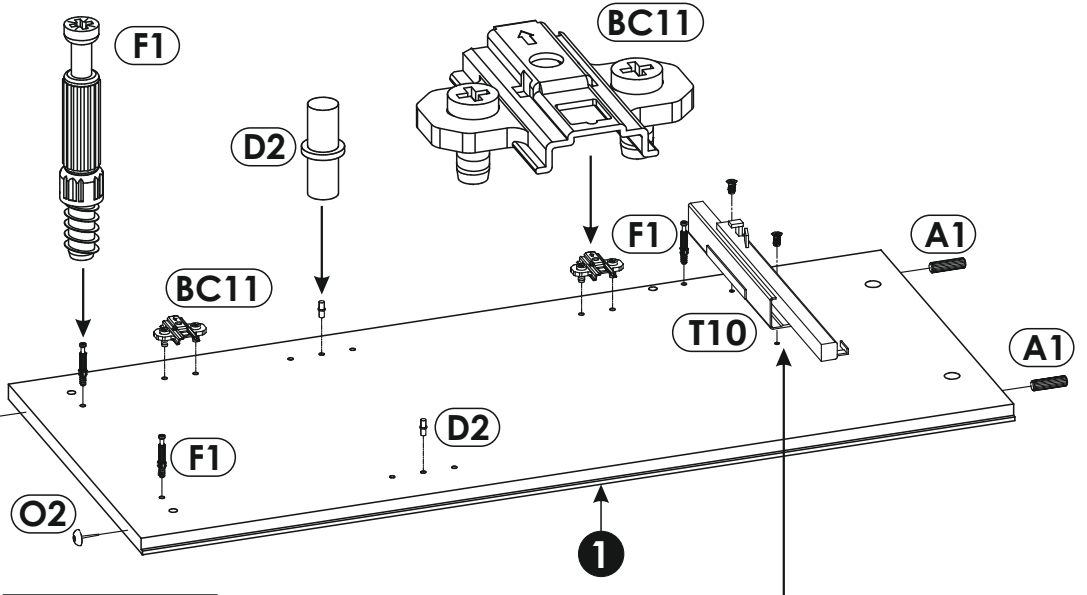
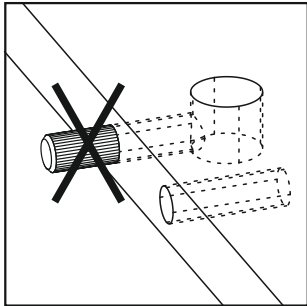
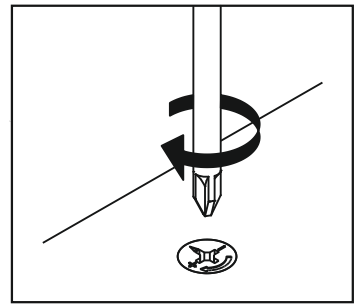
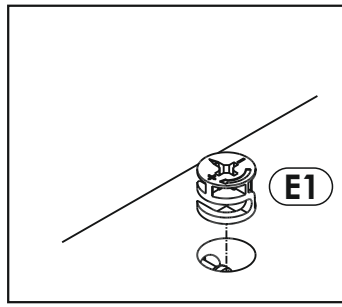
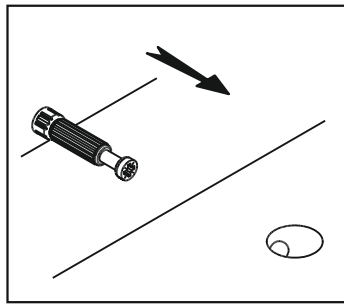
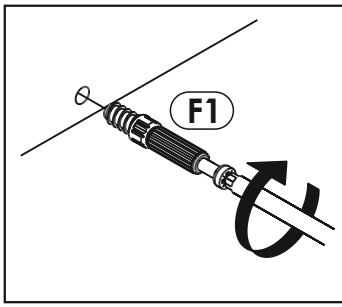
1	900	380	16	x1	1/3
2	841	376	16	x1	3/3
3	841	376	16	x1	3/3
4	841	376	16	x1	3/3
5	900	380	16	x1	1/3

6	1680	380	16	x1	3/3
7	1647	60	16	x1	3/3
8	396	360	16	x2	1/3
9	403	360	16	x2	1/3
10	1647	376	16	x1	3/3
11	1647	43	16	x1	3/3
12	350	100	16	x4	3/3
13	356	86	16	x2	2/3
14	364	86	16	x2	2/3
15	350	100	16	x4	3/3
16	1680	60	19	x2	3/3

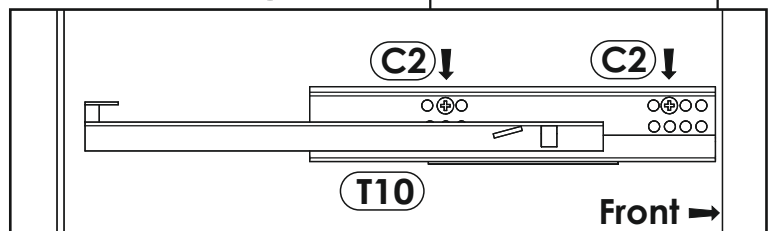
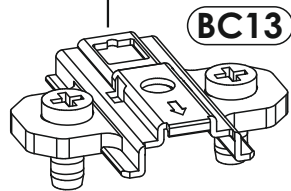
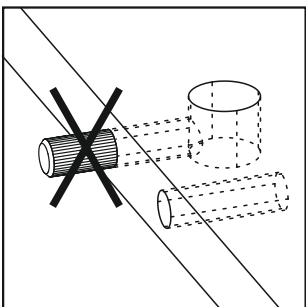
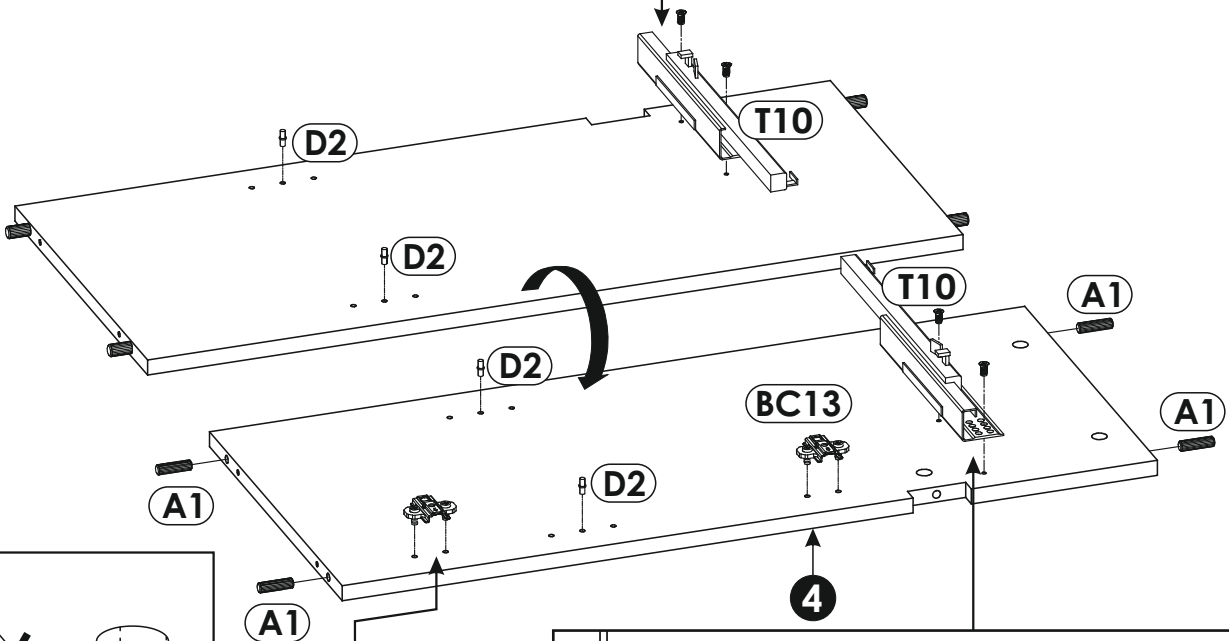
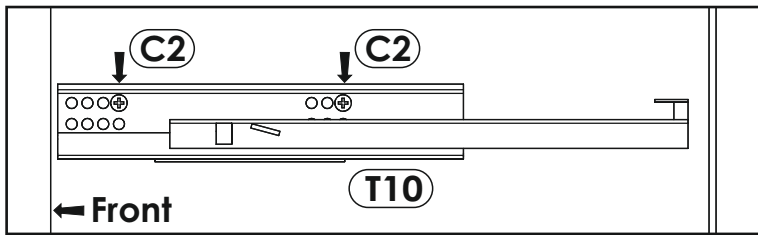
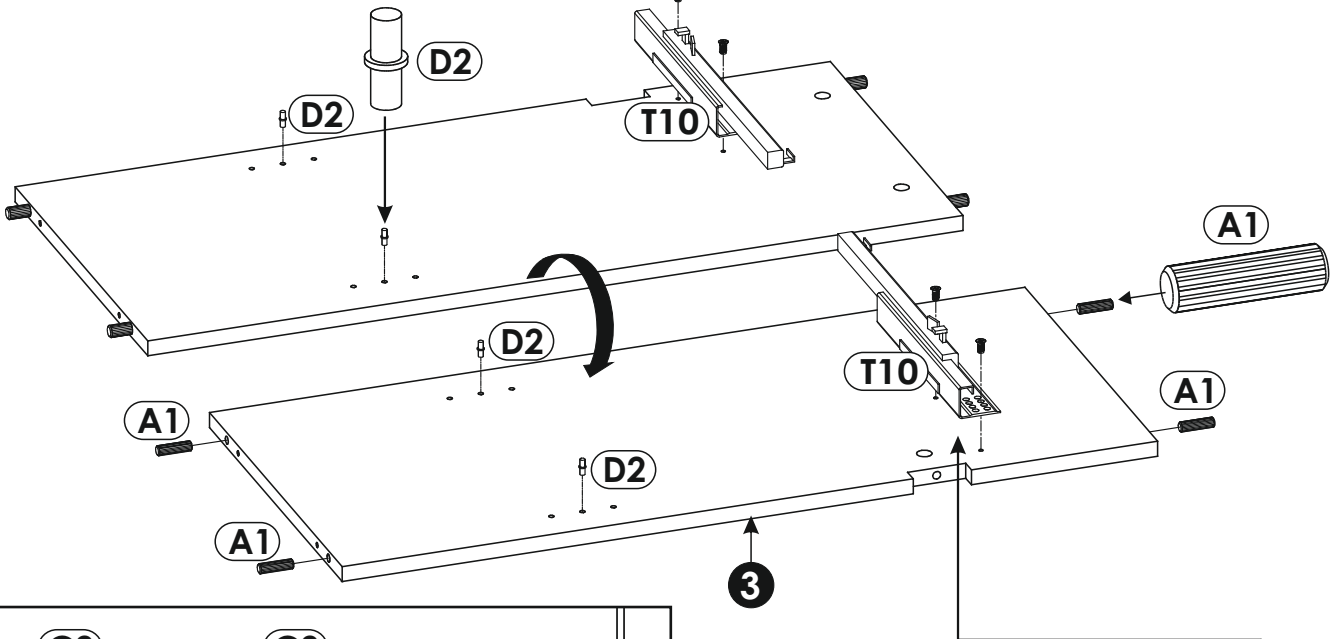
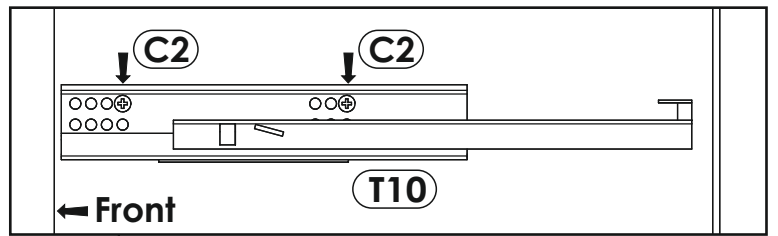
17	417	157	16	x1	2/3
18	417	157	16	x2	2/3
19	417	157	16	x1	2/3
20	417	630	16	x1	2/3
21	417	605	16	x1	2/3
22	417	605	16	x1	2/3
23	417	630	16	x1	2/3
24	866	415	3	x2	1/3
25	866	419	3	x2	1/3
26	371	355	3	x2	2/3
27	479	355	3	x2	2/3



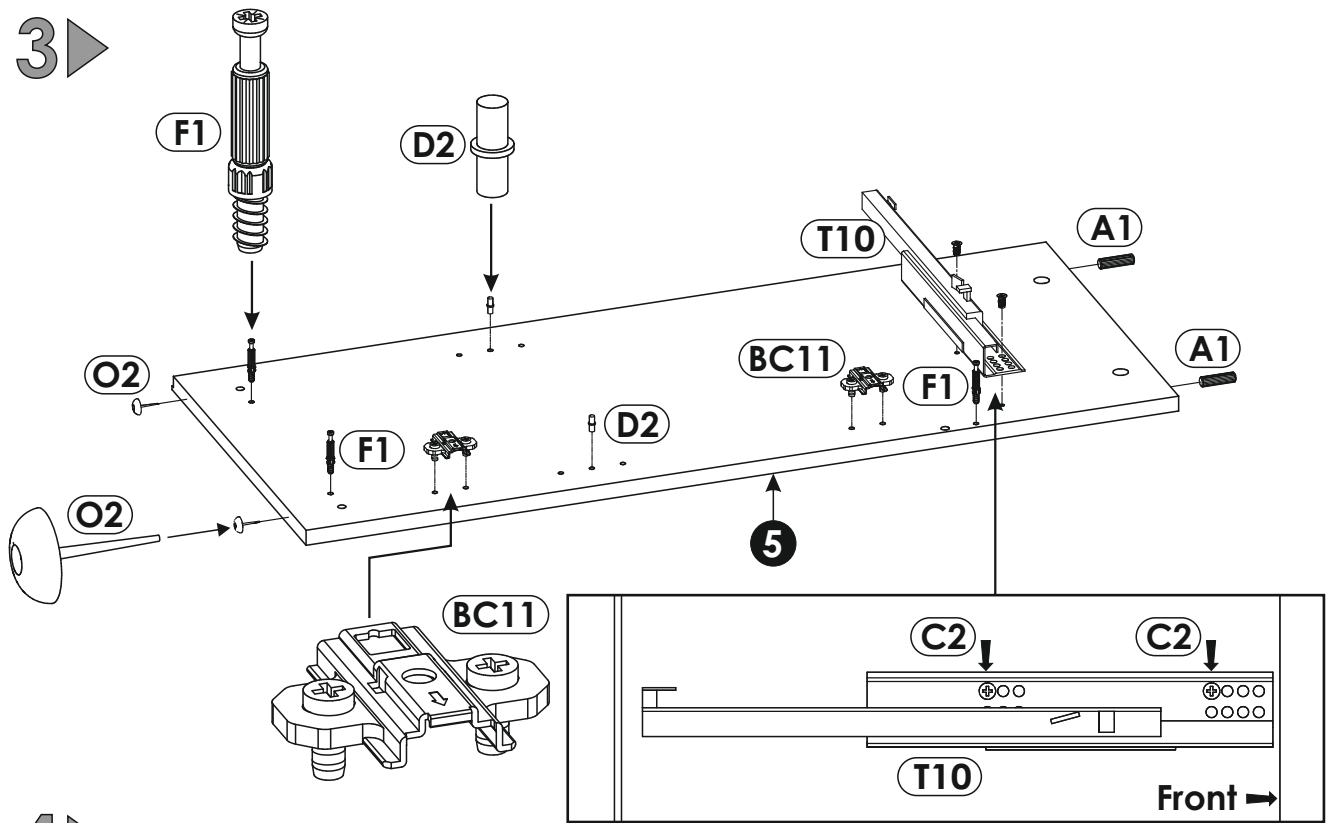
x2



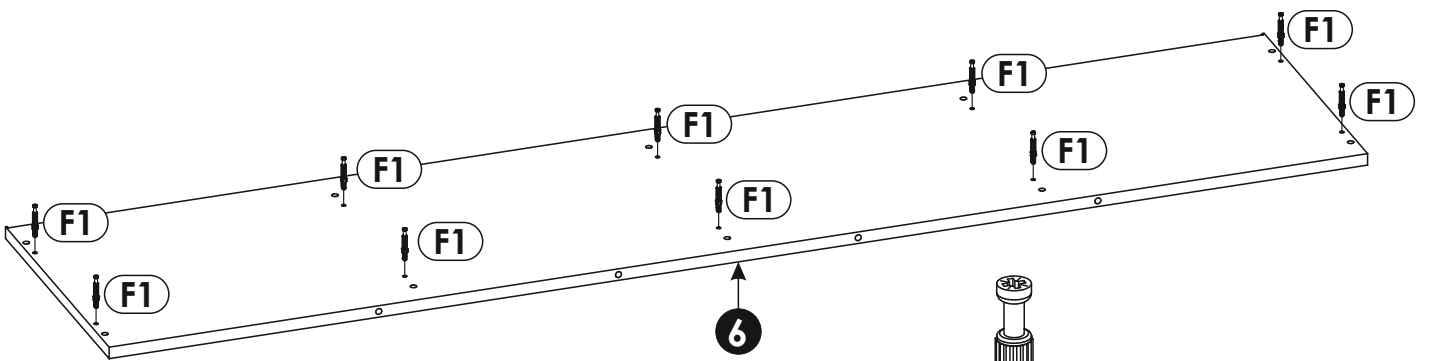
2 ▶



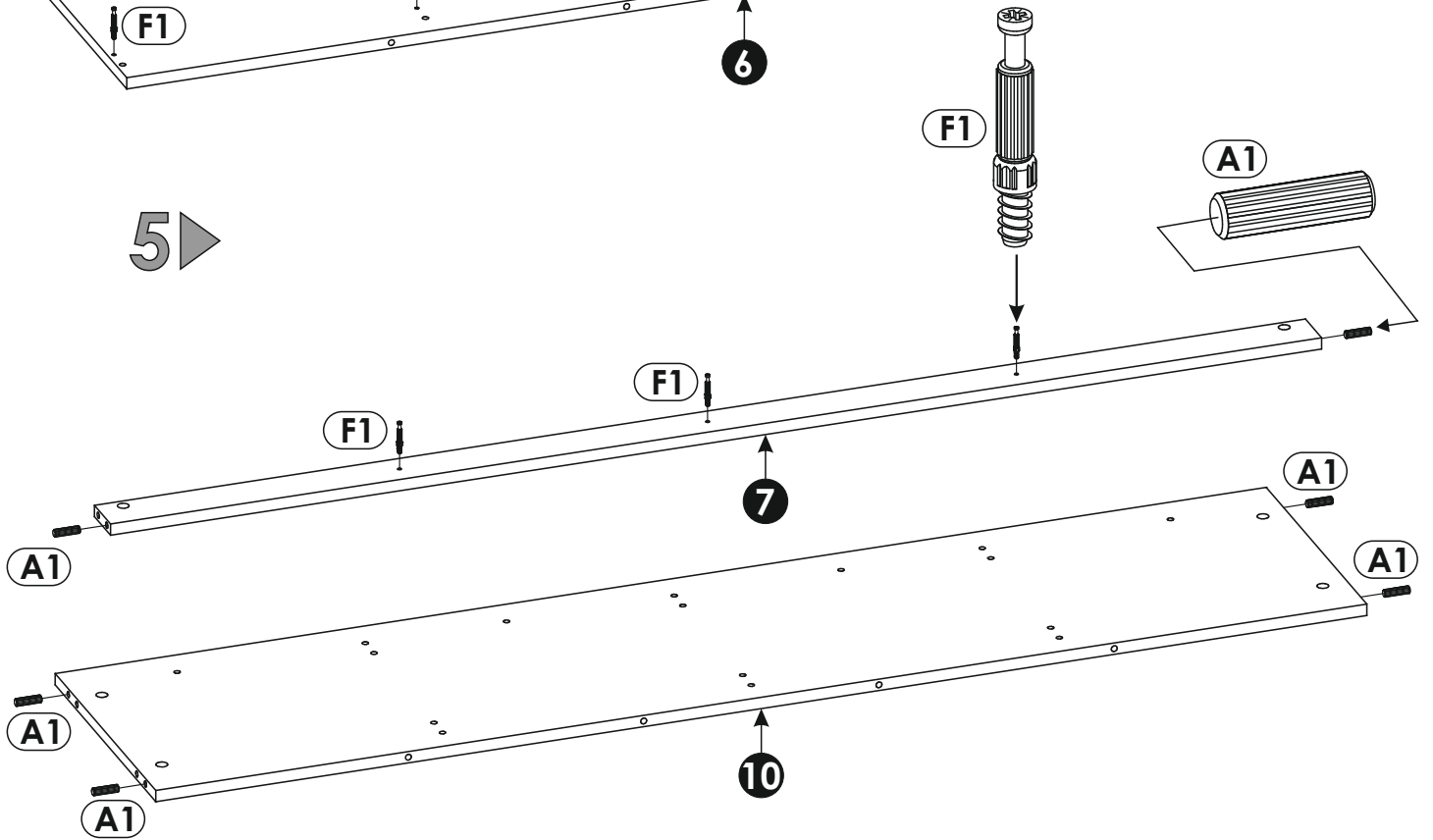
3 ▶



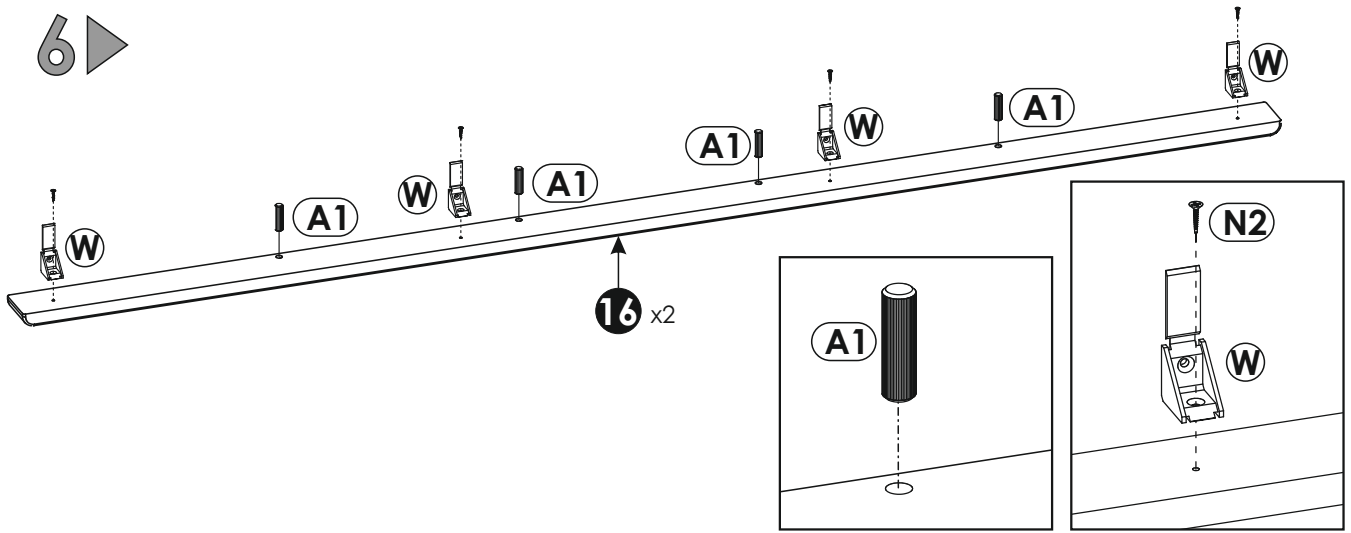
4 ▶



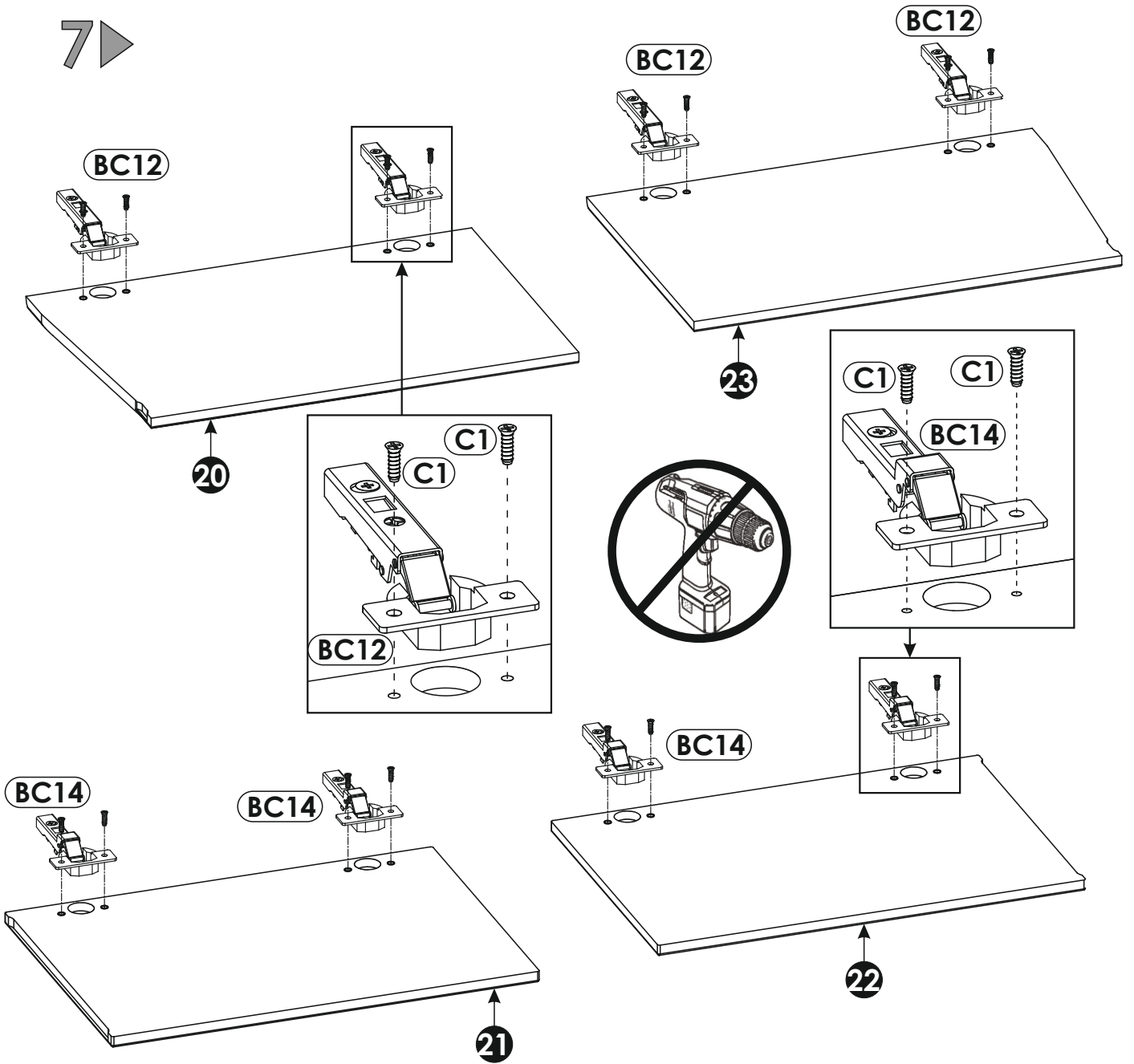
5 ▶



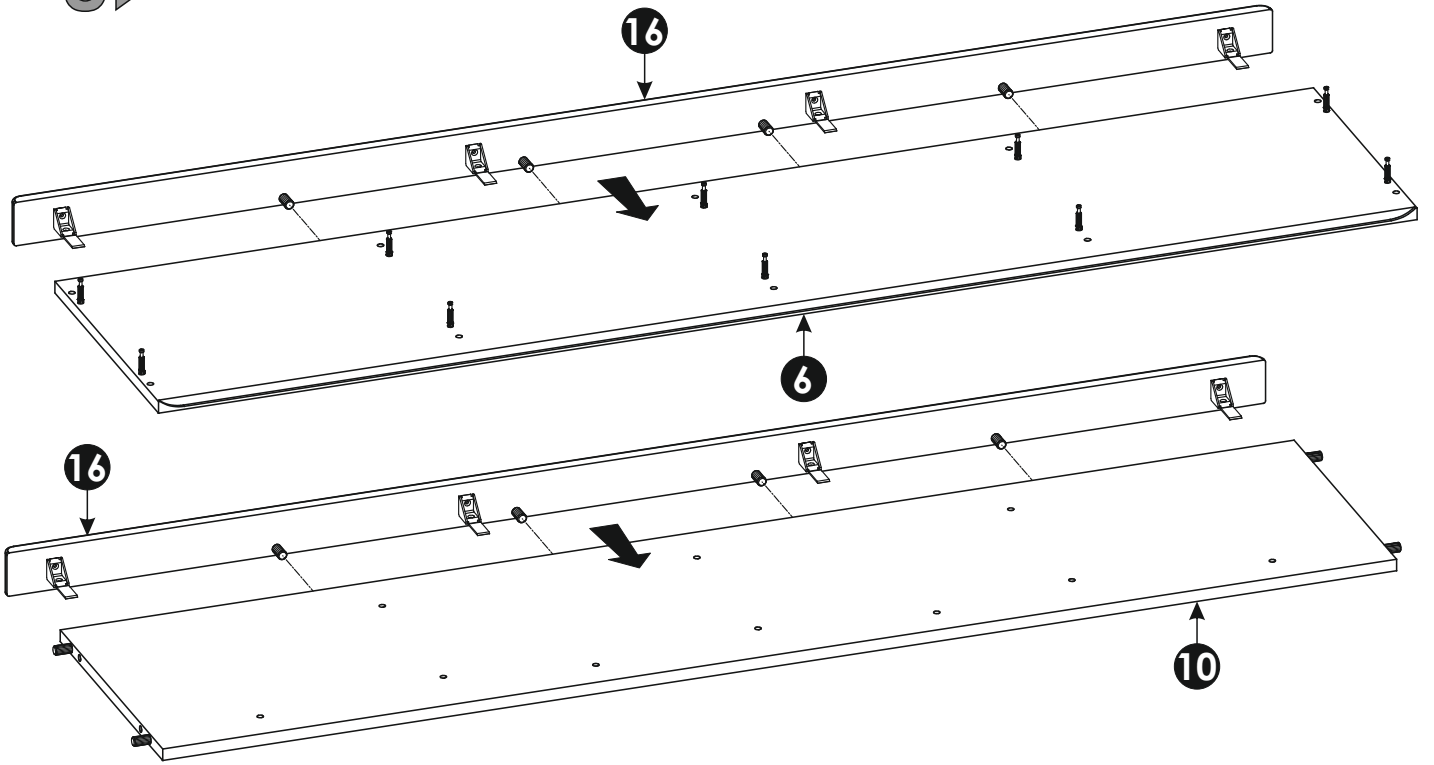
6 ▶



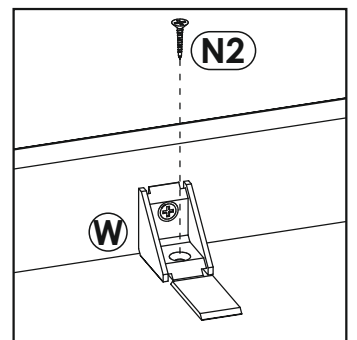
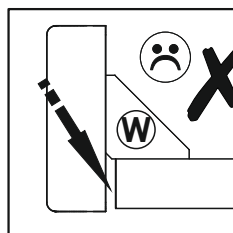
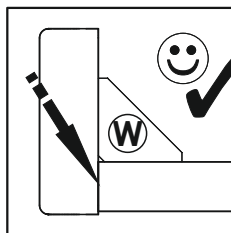
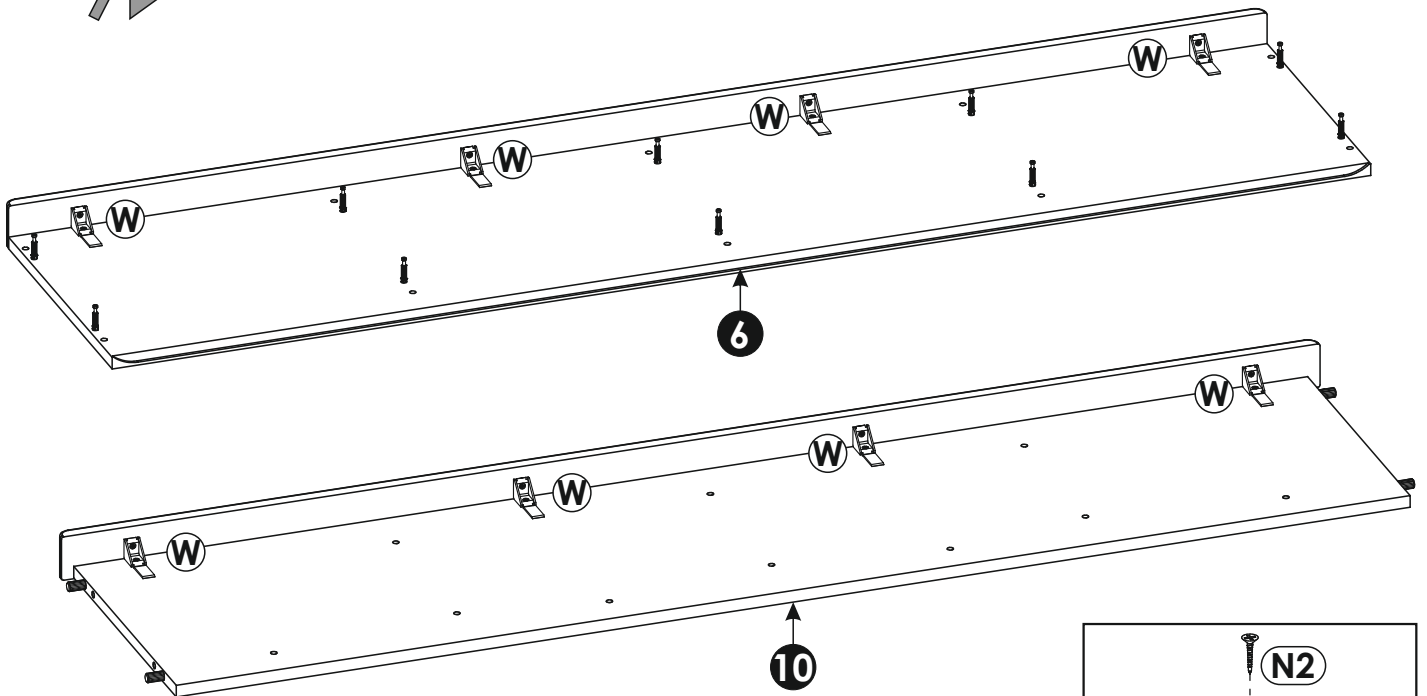
7 ▶



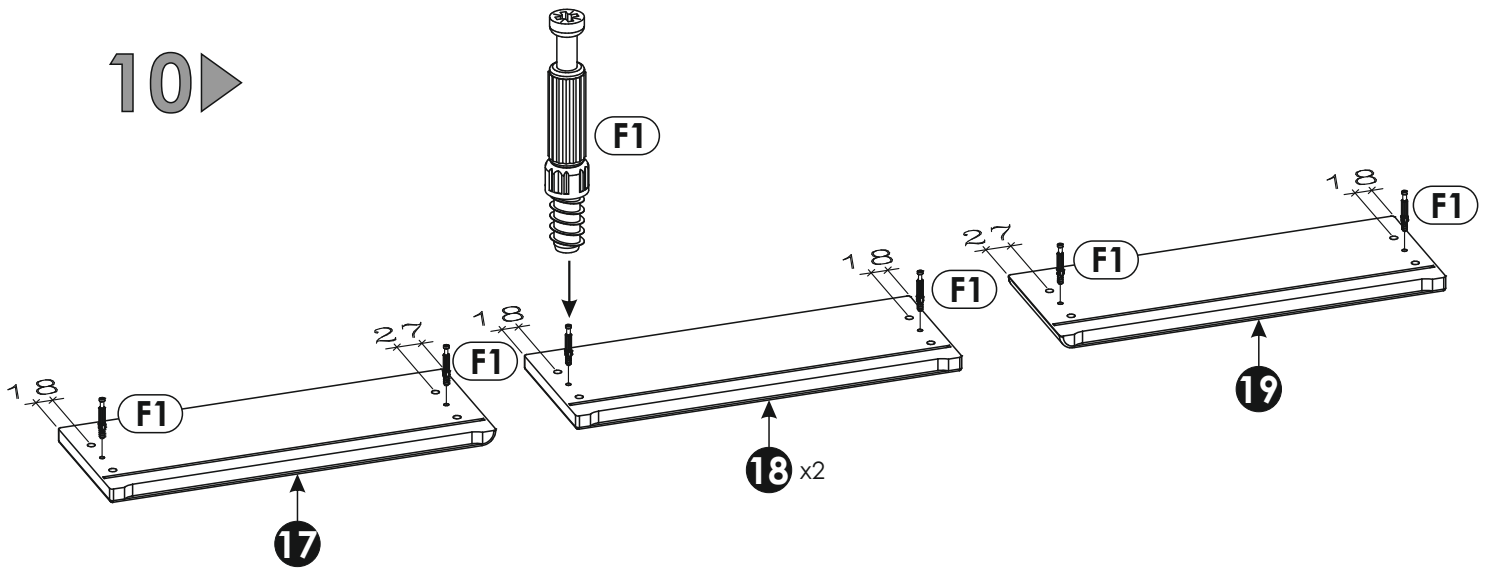
8 ▶



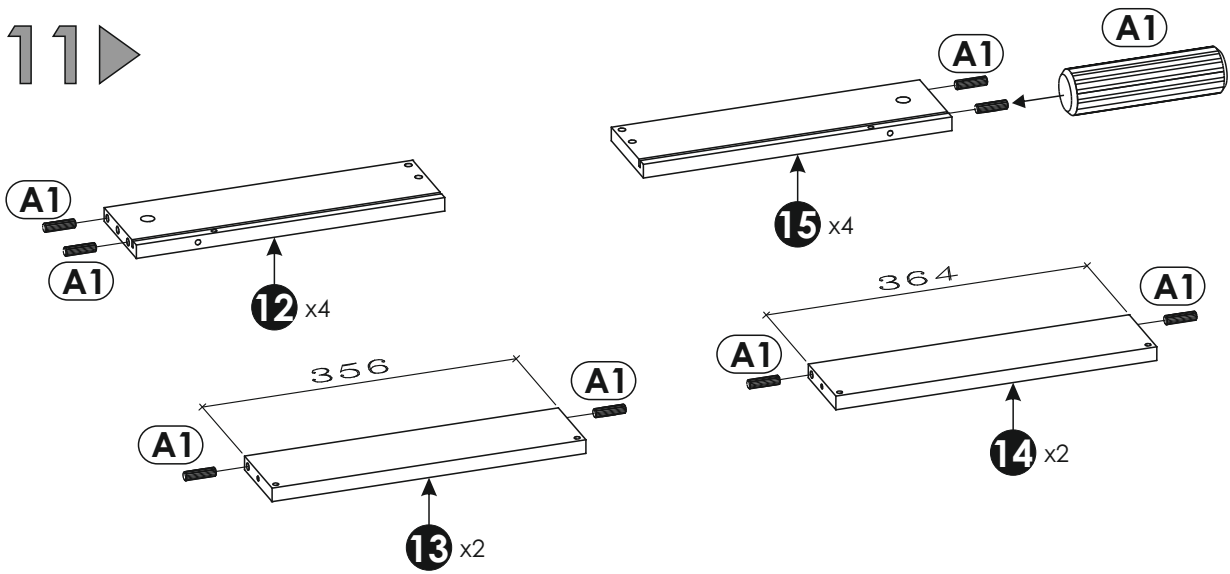
9 ▶



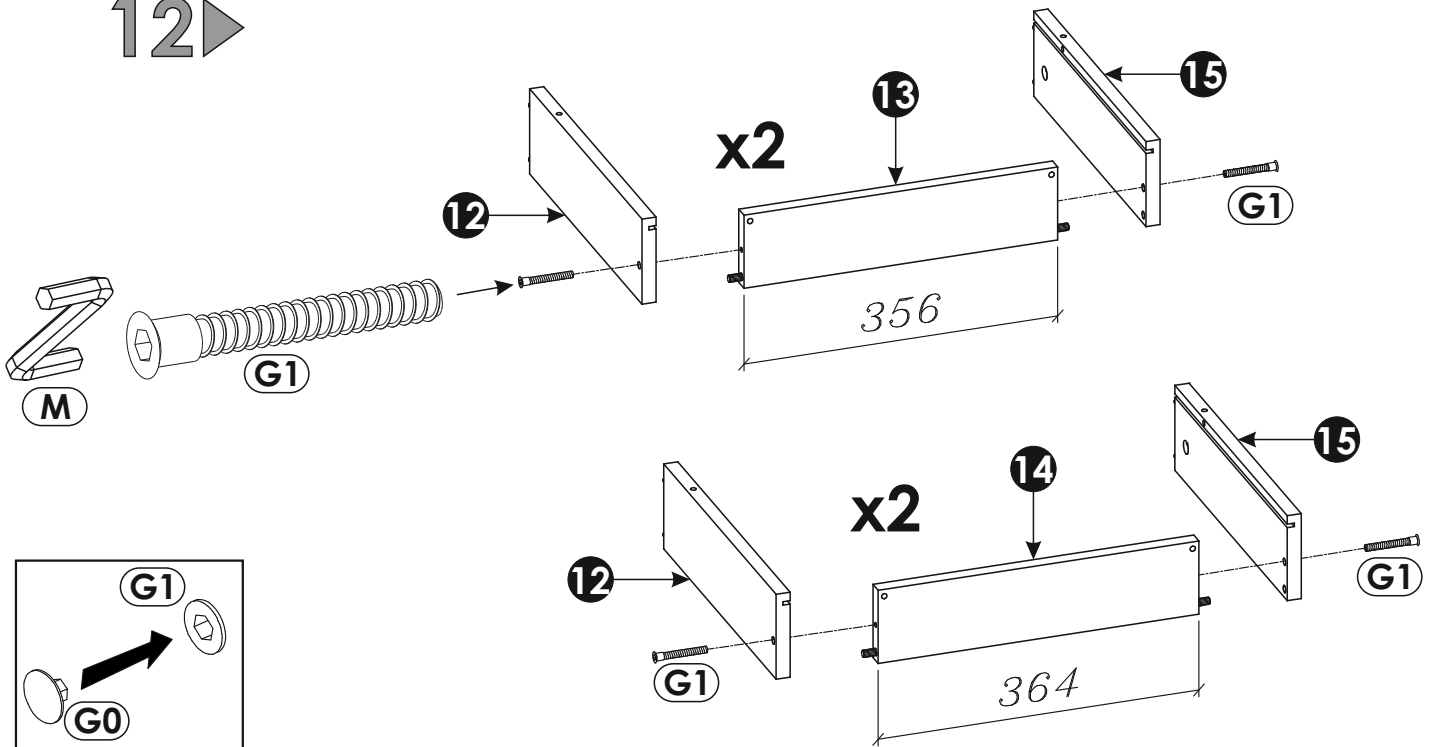
10 ▶



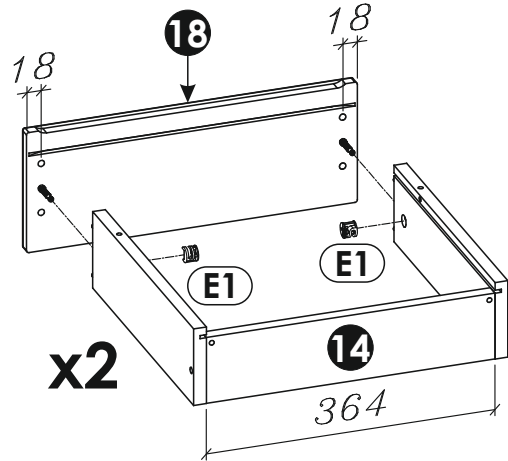
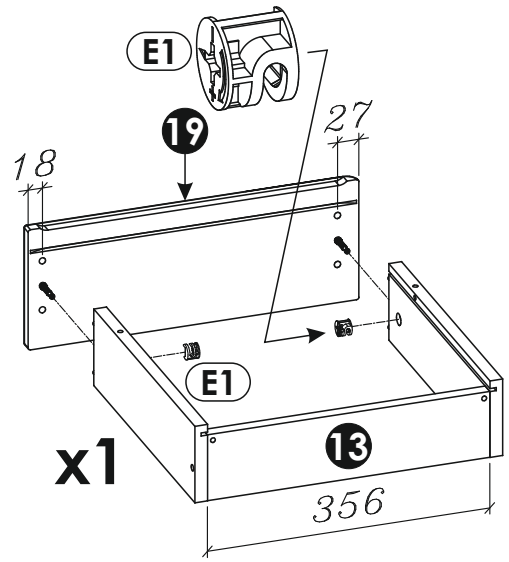
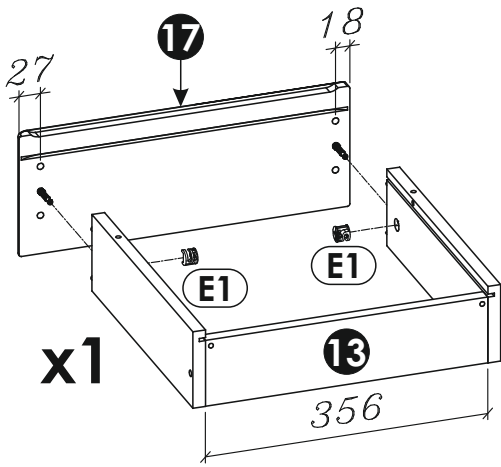
11 ▶



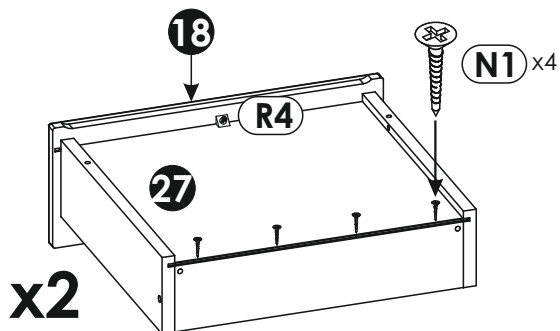
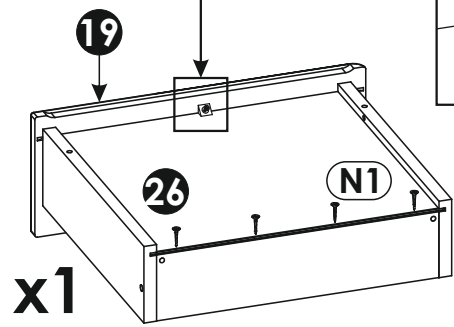
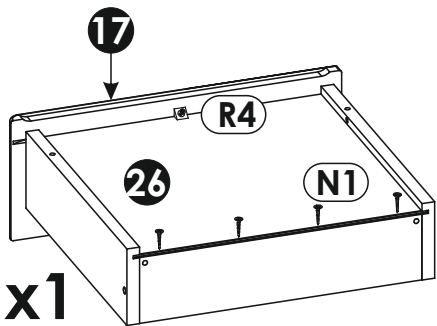
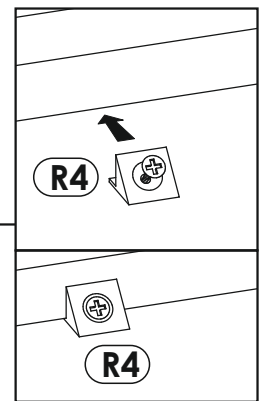
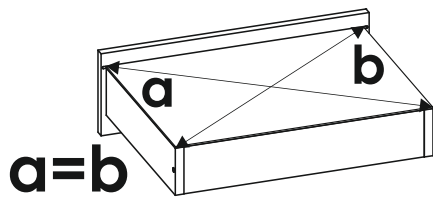
12 ▶



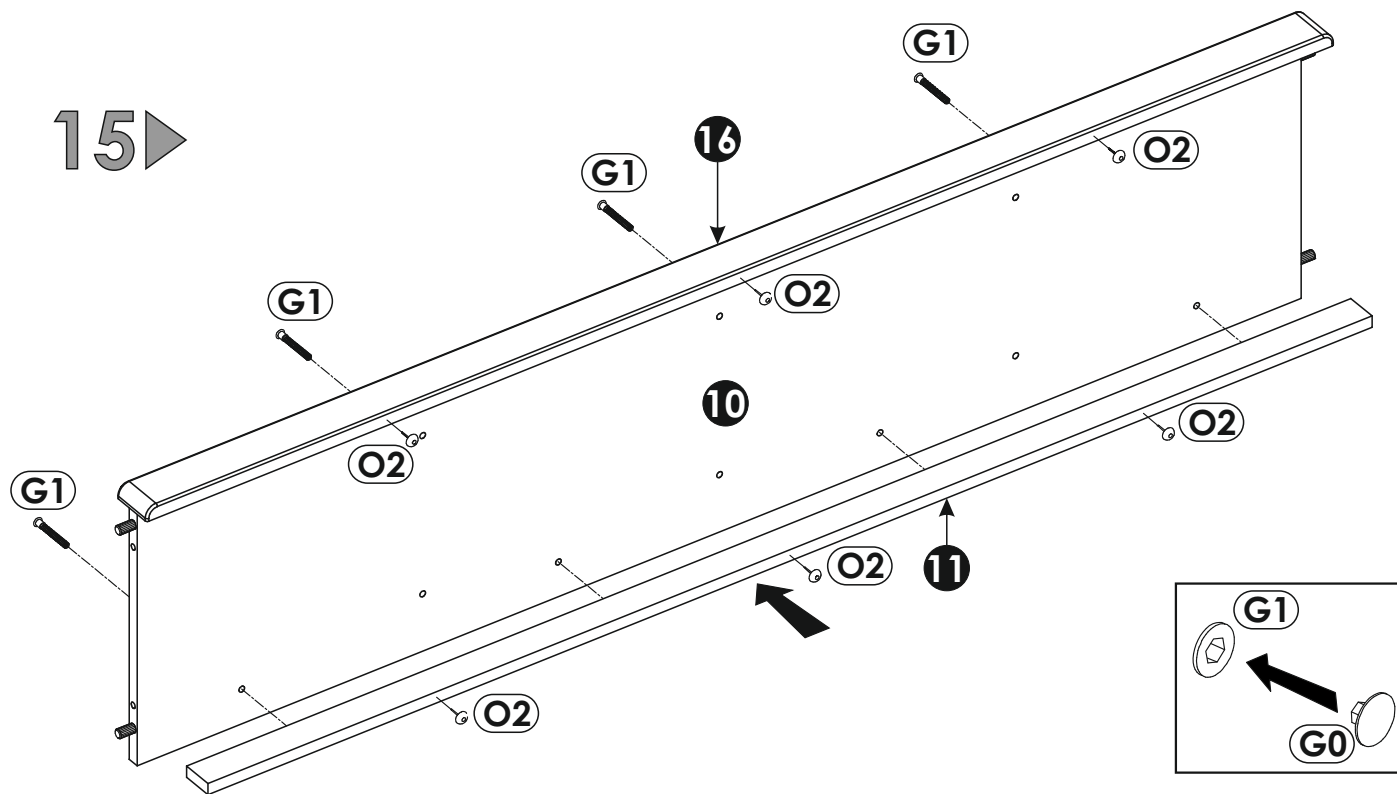
13 ▶



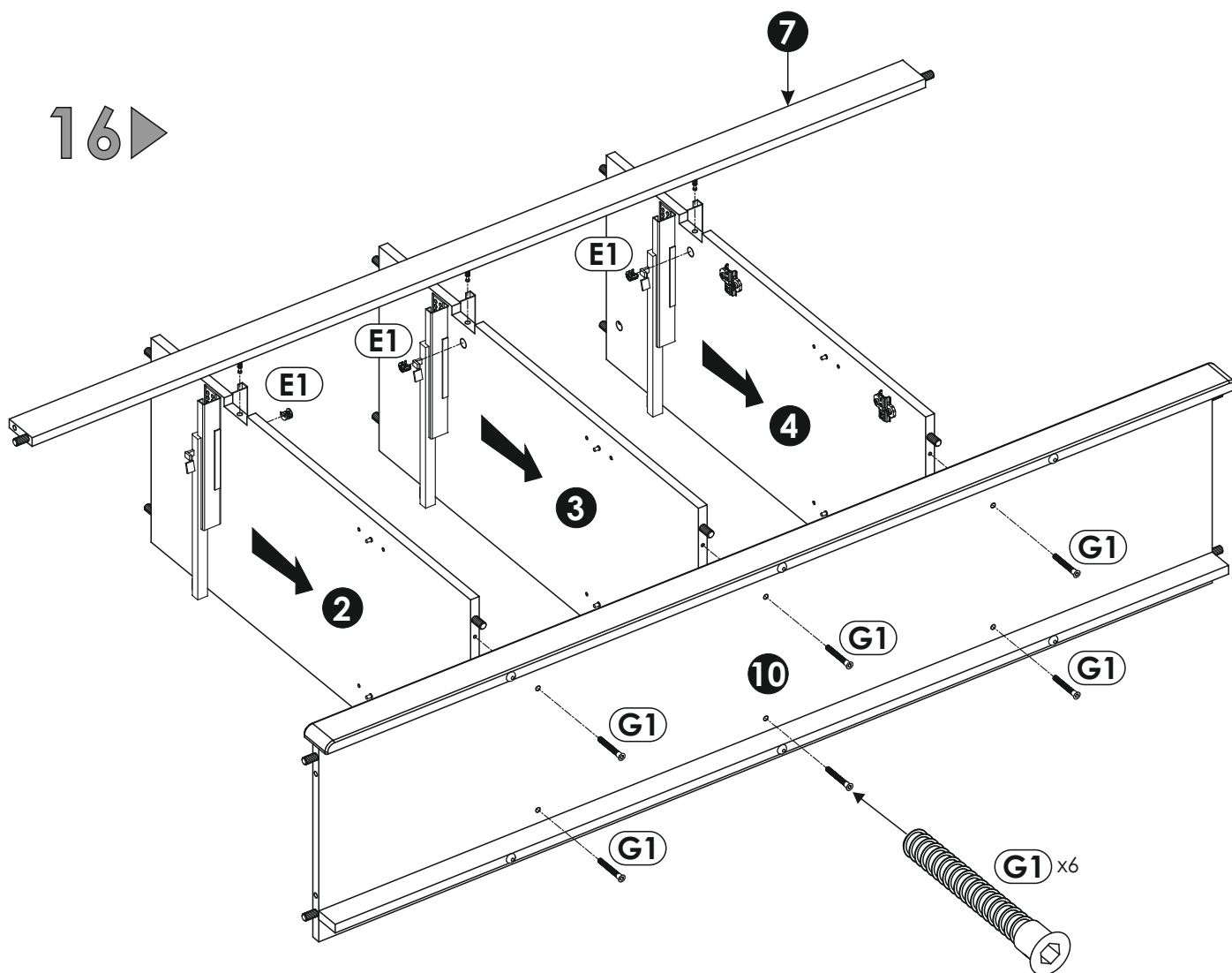
14 ▶



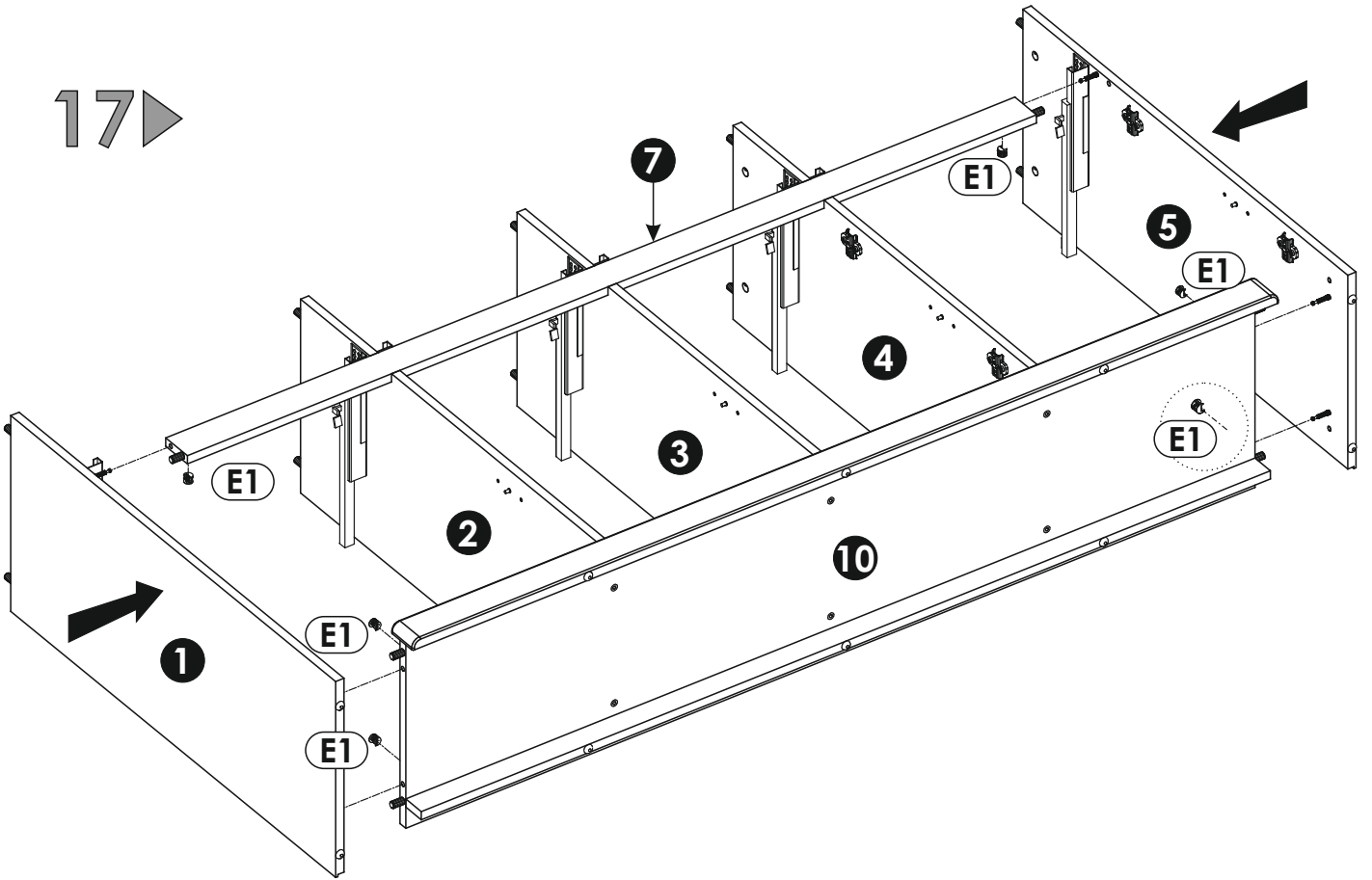
15 ▶



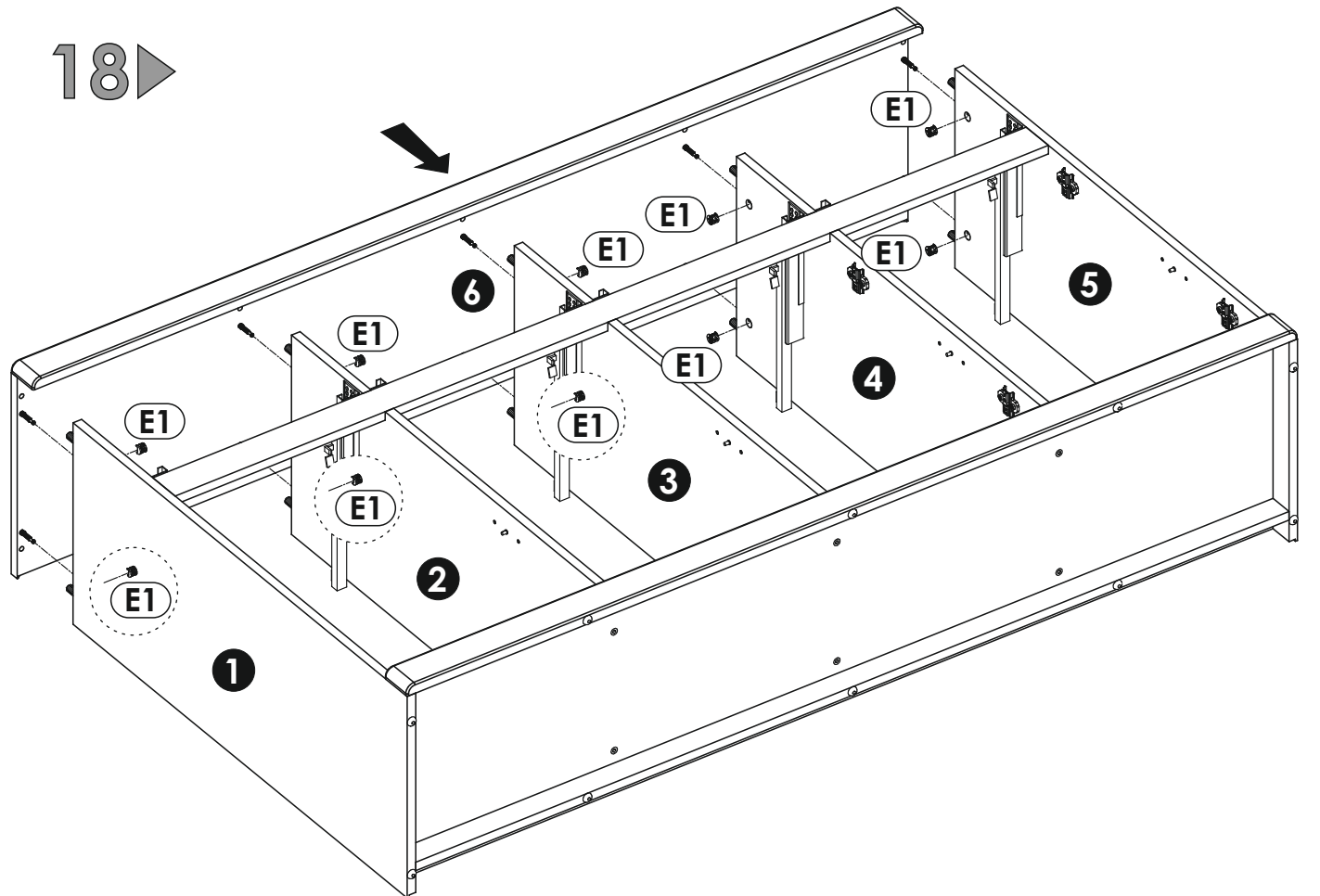
16 ▶



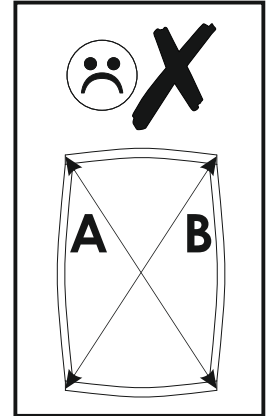
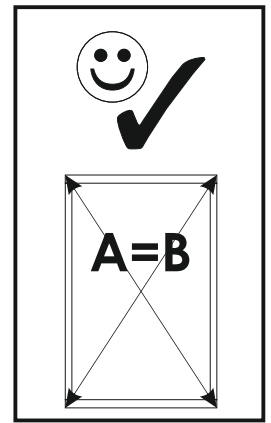
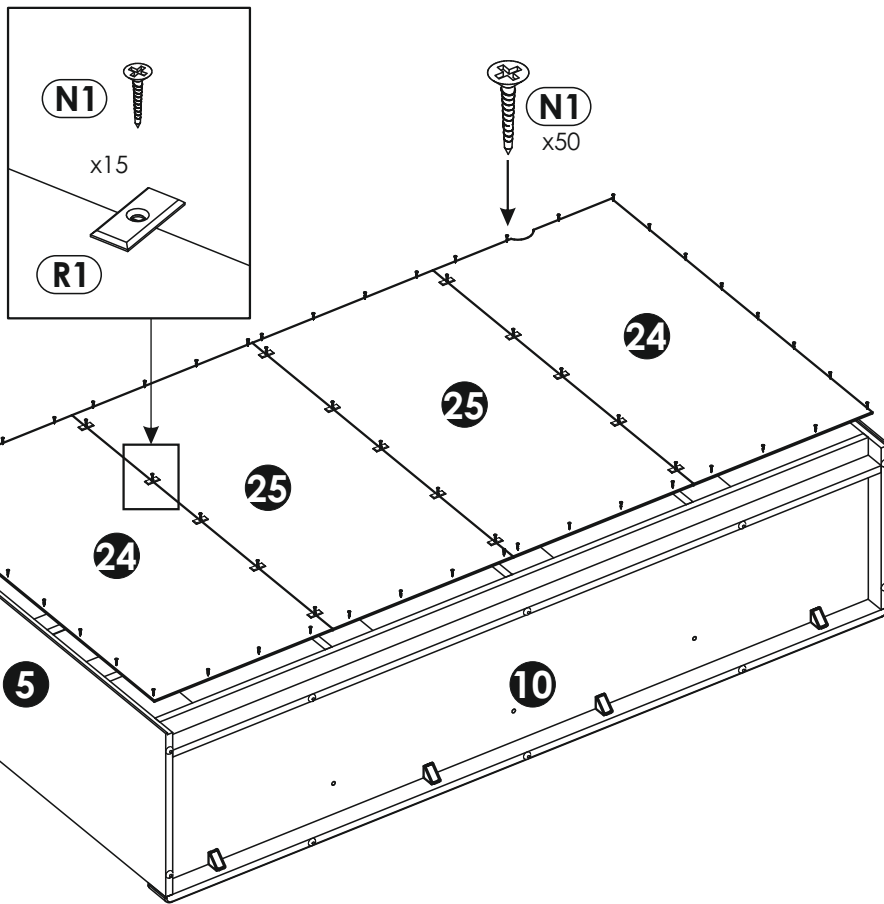
17 ▶



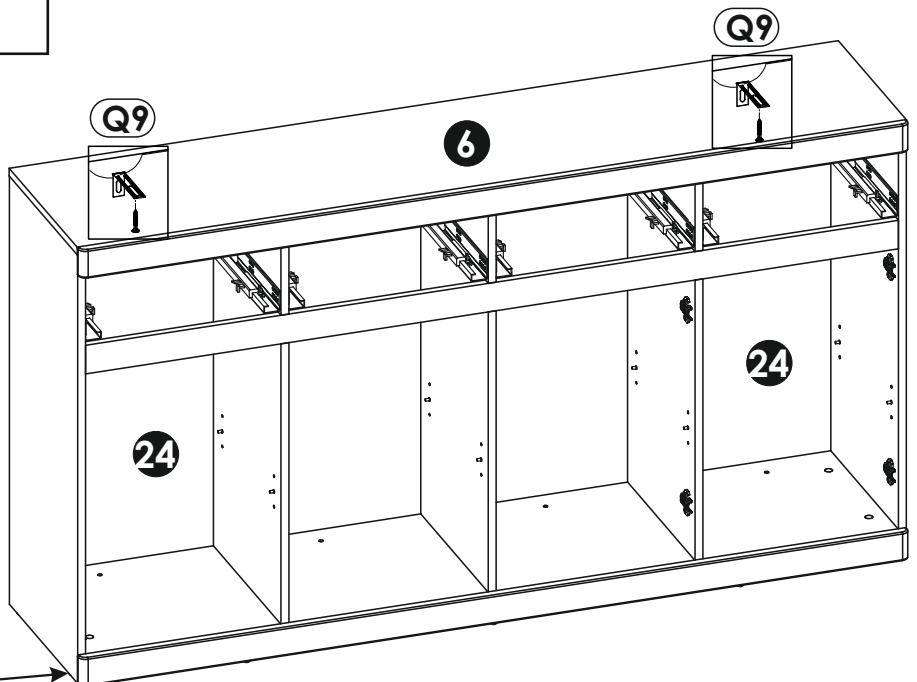
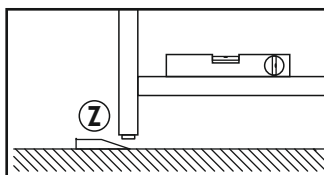
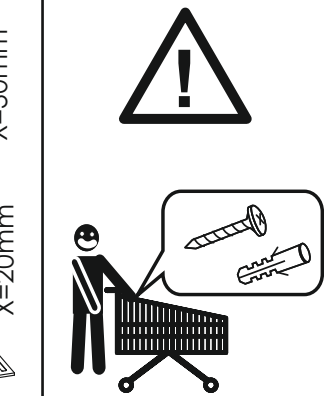
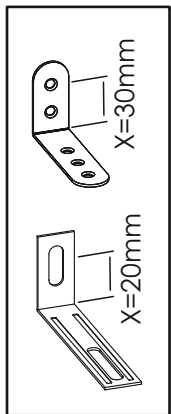
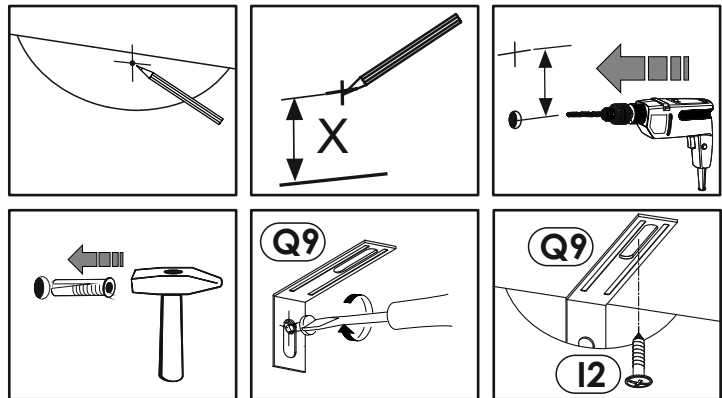
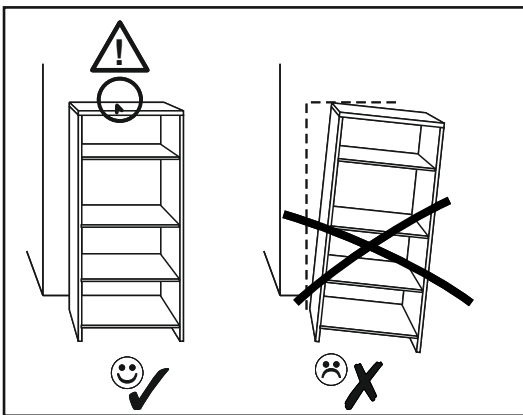
18 ▶



19 ▶



20 ▶



21 ▶

