

MM

260

250

240

230

220

210

200

190

180

170

160

150

140

130

120

110

100

90

80

70

60

50


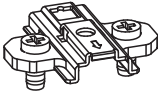
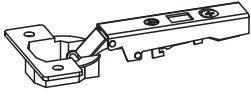



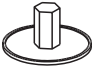





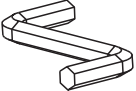


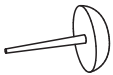

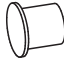


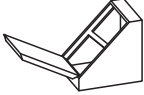
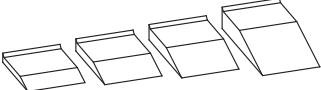
40

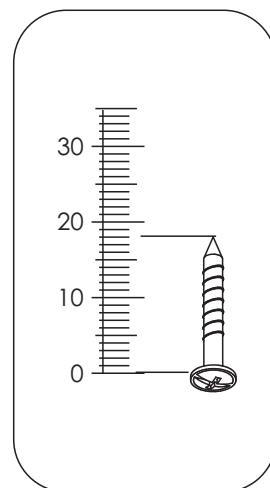
30

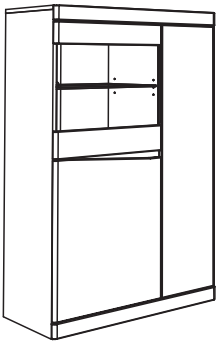
20

10

0

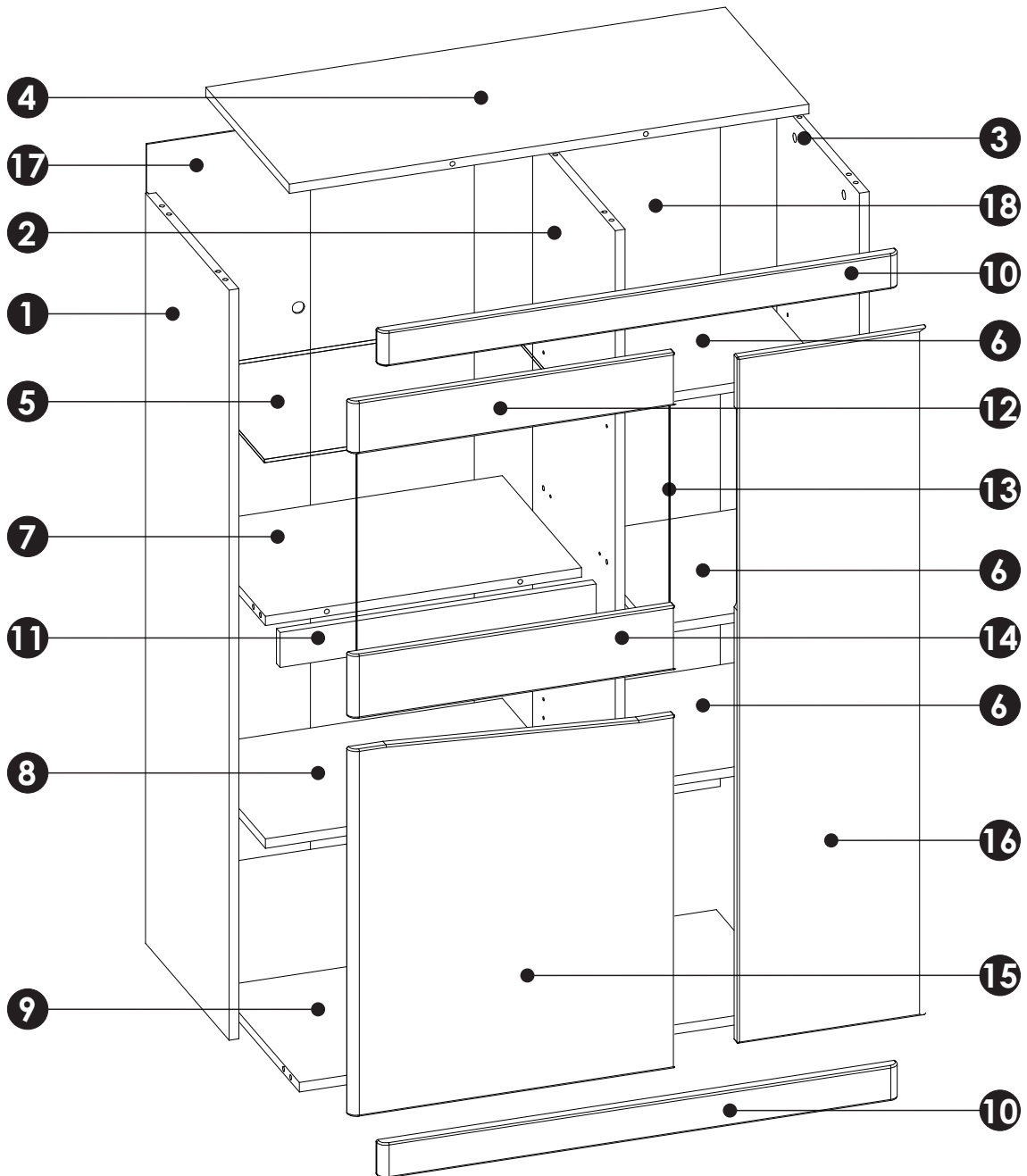
A1 x 22 \varnothing 8 x 35 mm 	BC0 x 7 	BC1 x 7 
C1 x 14 EURO 4 x 13mm 	D2 x 16 	D7 x 4 
E0 x 14 	E1 x 14 \varnothing 15 x 12 mm 	F1 x 14 
G0 x 2 	G1 x 2 \varnothing 7 x 50 mm 	I2 x 7 4 x 16 mm 
M x 1 	N1 x 50 3 x 16 mm 	N2 x 16 3,5 x 16 mm 
O2 x 5 	Q9 x 1 	P9 x 2 \varnothing 8 
R1 x 7 	R3 x 6 	W x 8 
Z x 1 		

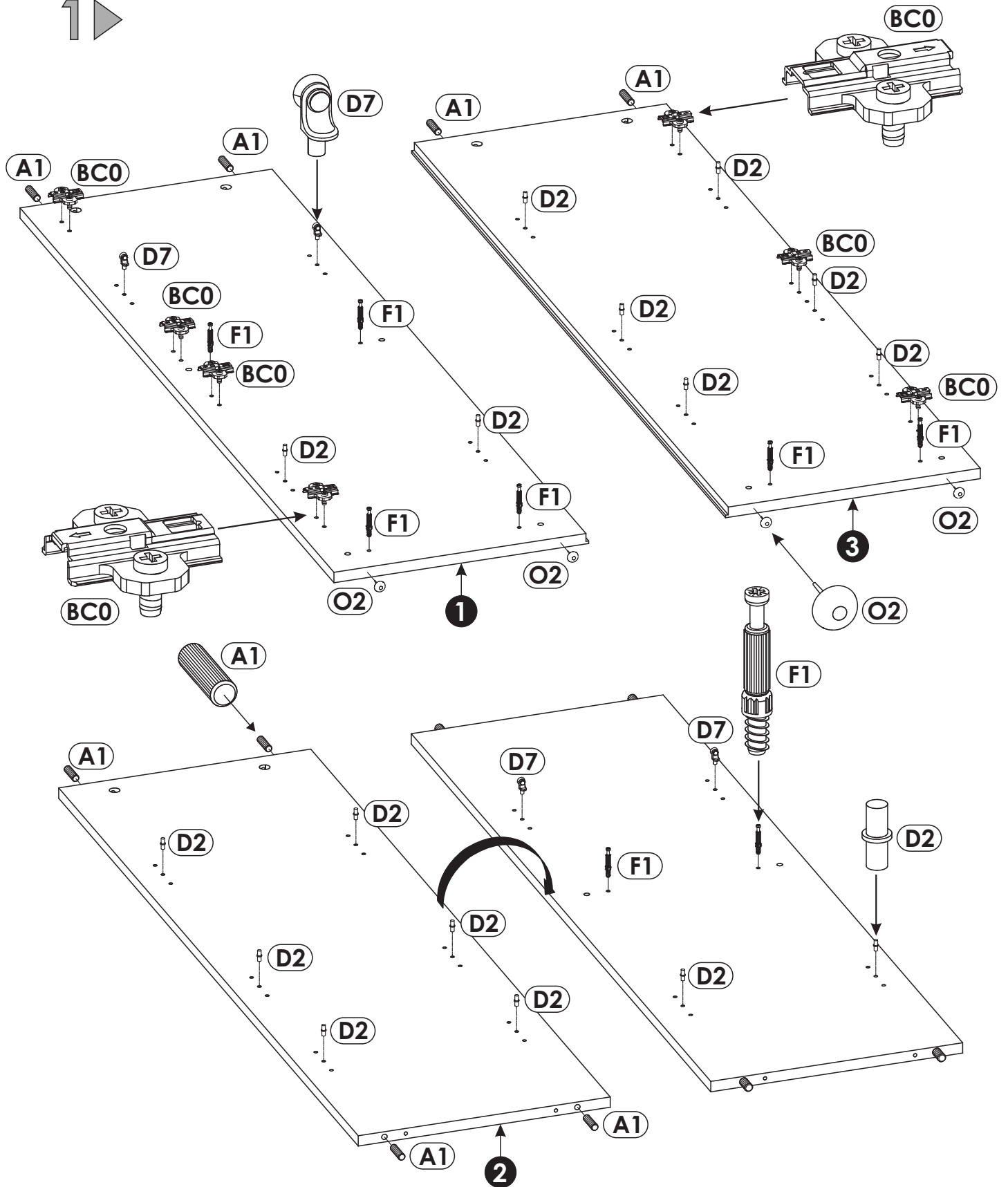
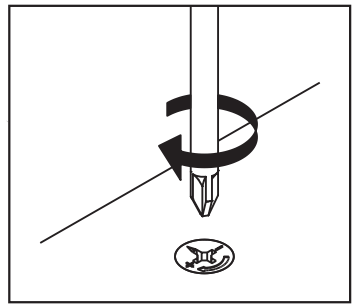
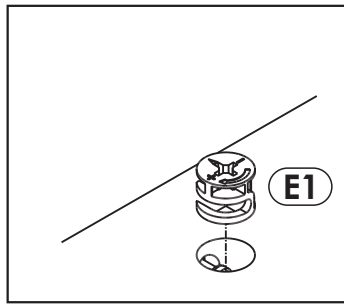
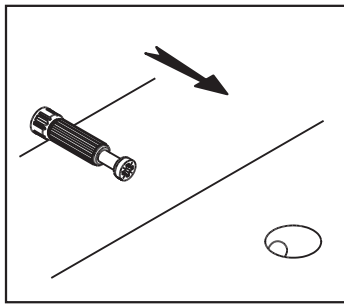
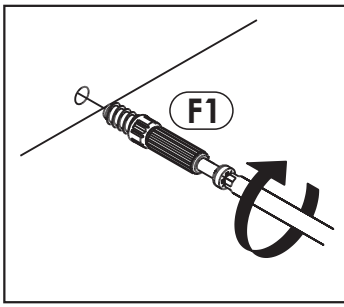




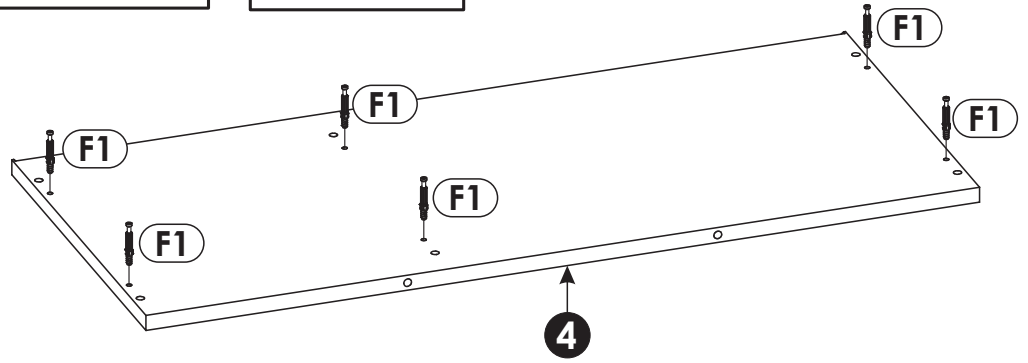
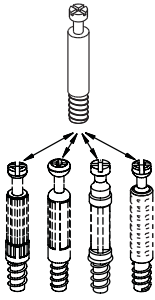
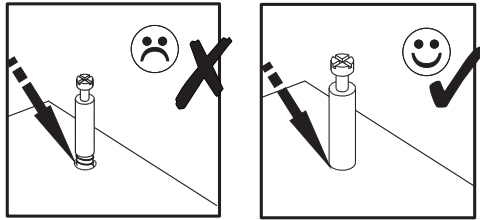
1	1287	380	16	x1	2/2
2	1228	376	16	x1	2/2
3	1287	380	16	x1	2/2
4	860	380	16	x1	1/2
5	522	355	6	x1	1/2
6	288	0360	16	x3	1/2
7	523	360	16	x1	1/2
8	523	360	16	x1	1/2
9	827	376	16	x1	1/2

10	860	60	19	x2	1/2
11	523	60	16	x1	1/2
12	538	90	16	x1	1/2
13	518	392	4	x1	1/2
14	538	110	16	x1	1/2
15	538	630	16	x1	1/2
16	316	1177	16	x1	2/2
17	1253	542	3	x2	1/2
18	1253	307	3	x2	1/2

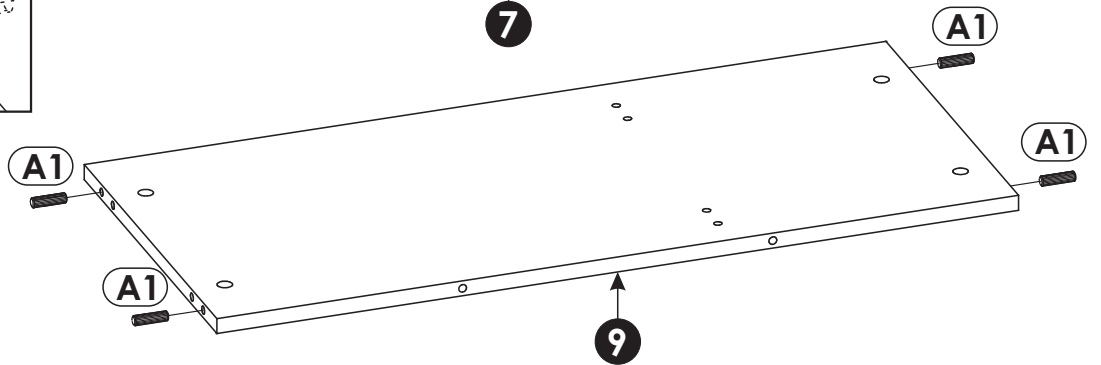
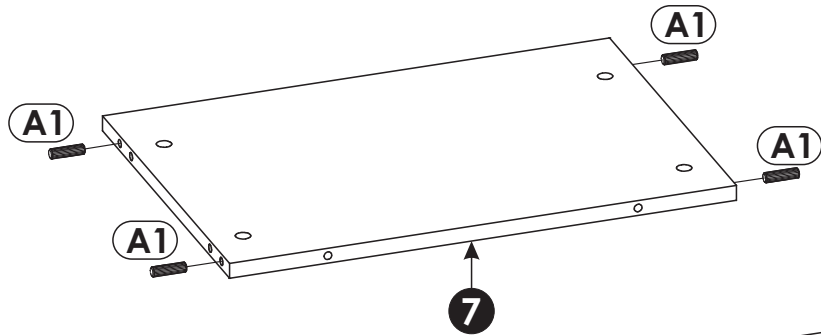
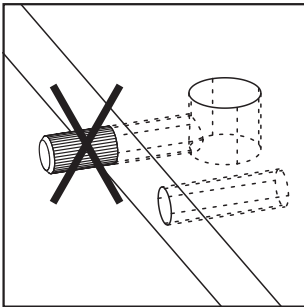




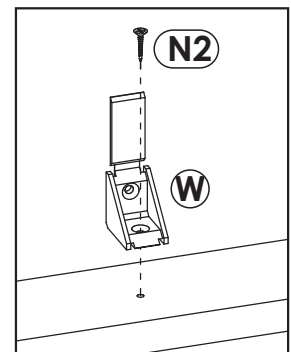
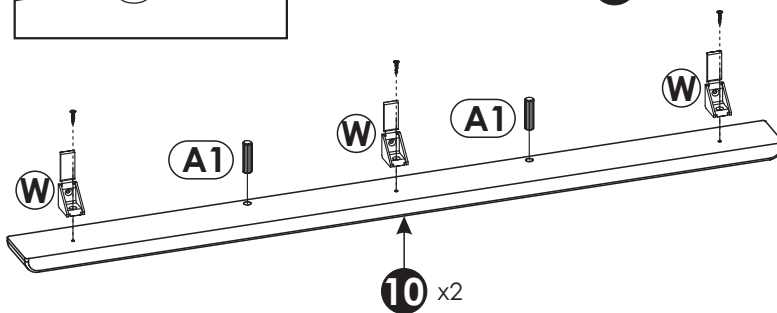
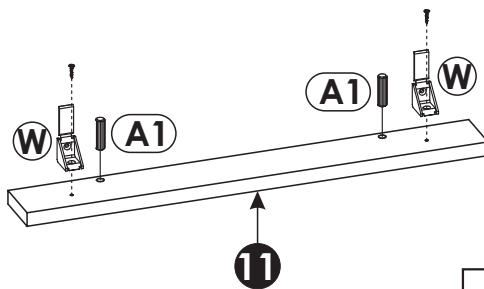
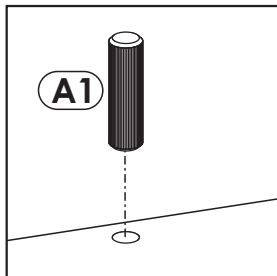
2 ▶



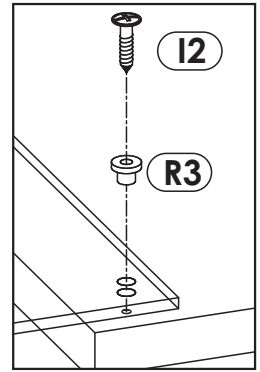
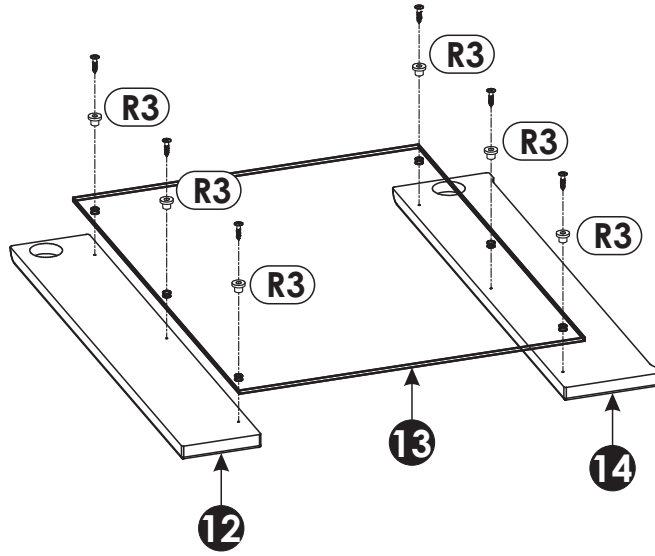
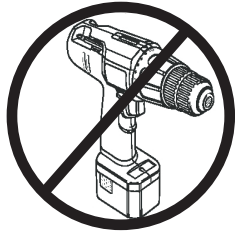
3 ▶



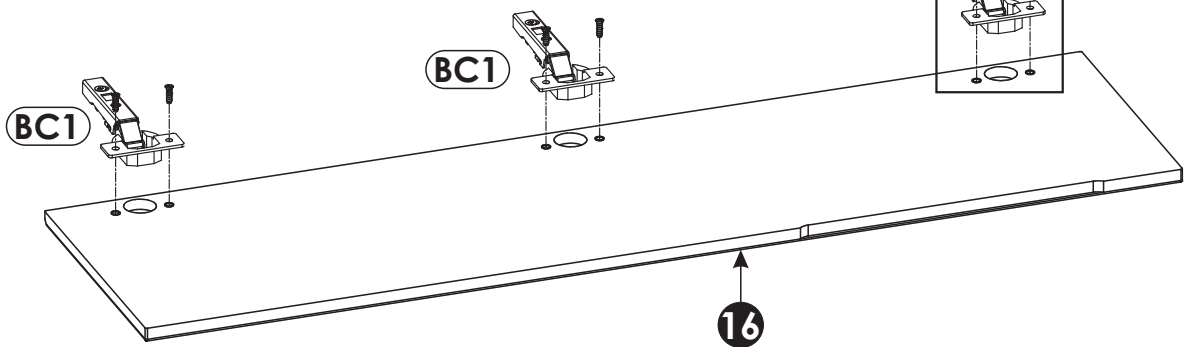
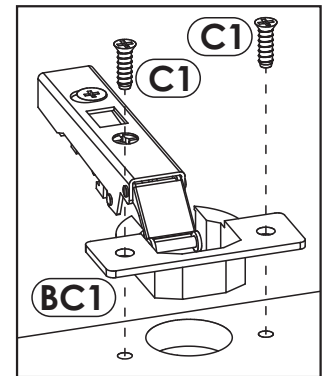
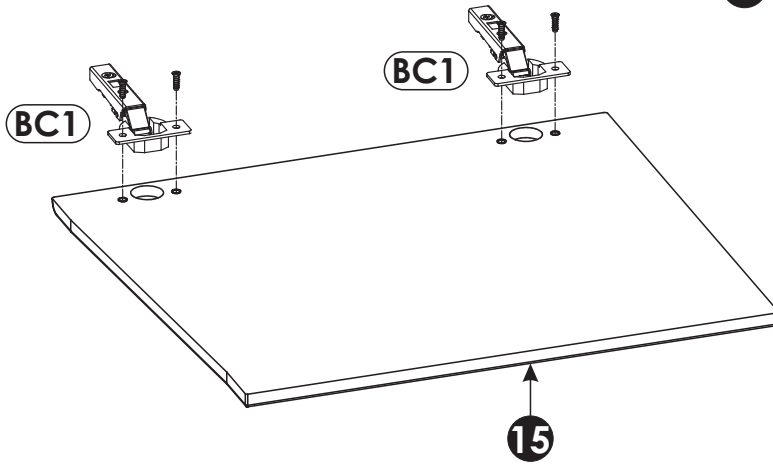
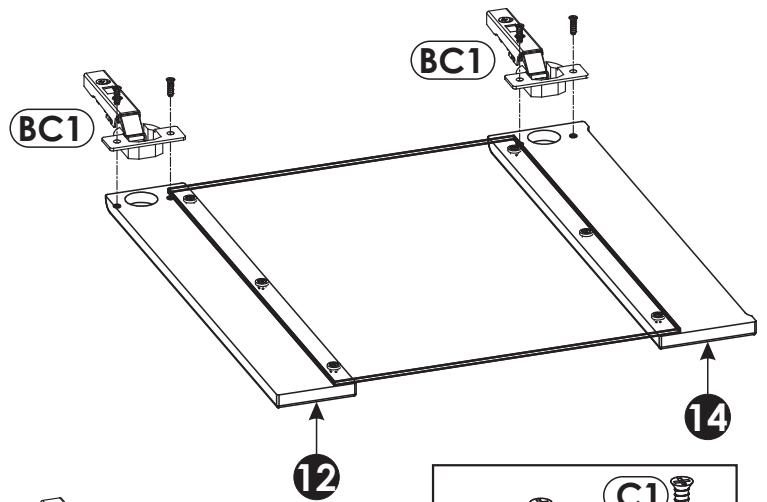
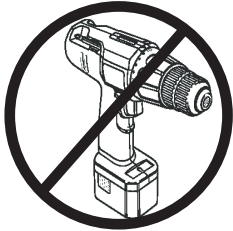
4 ▶



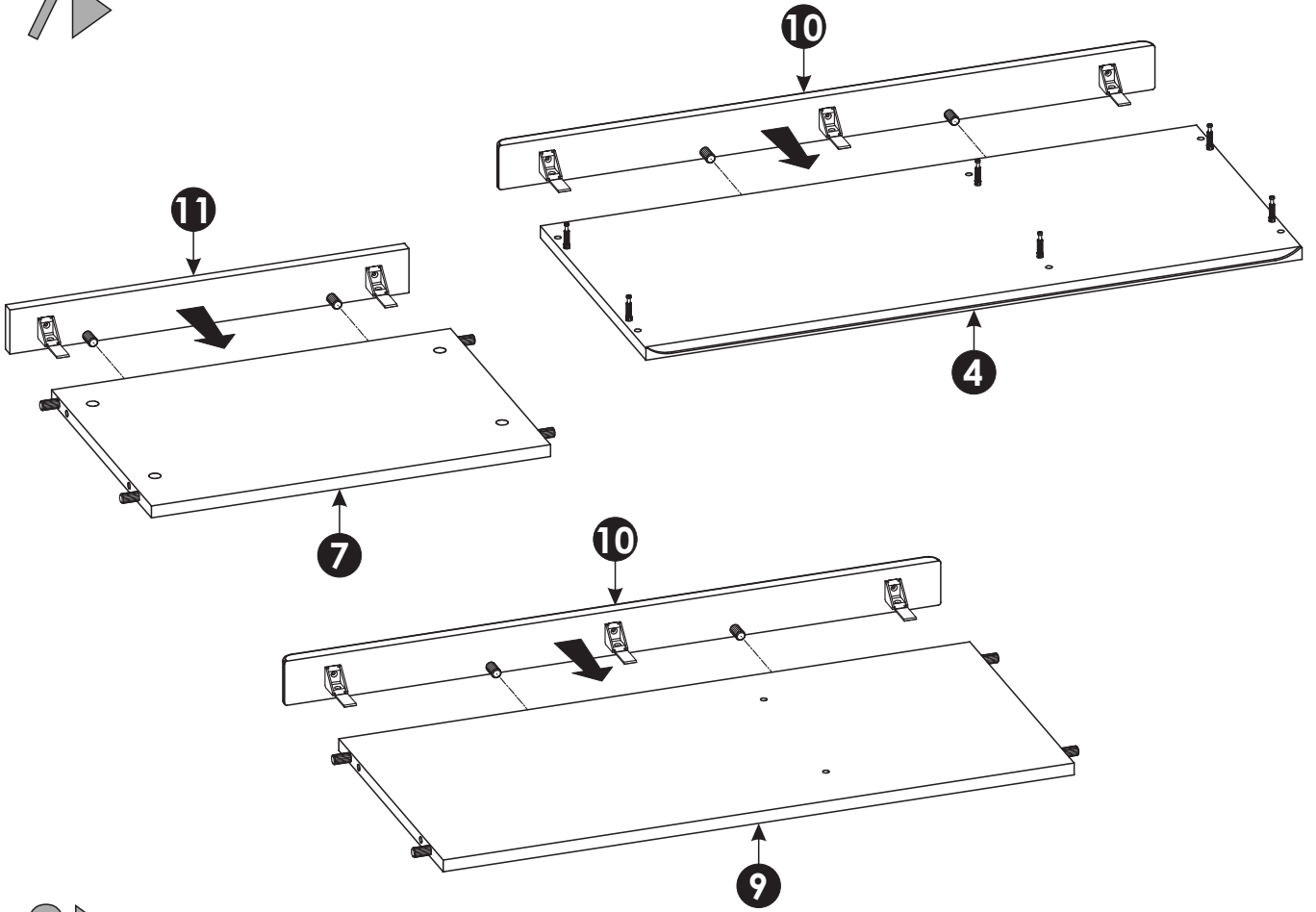
5 ▶



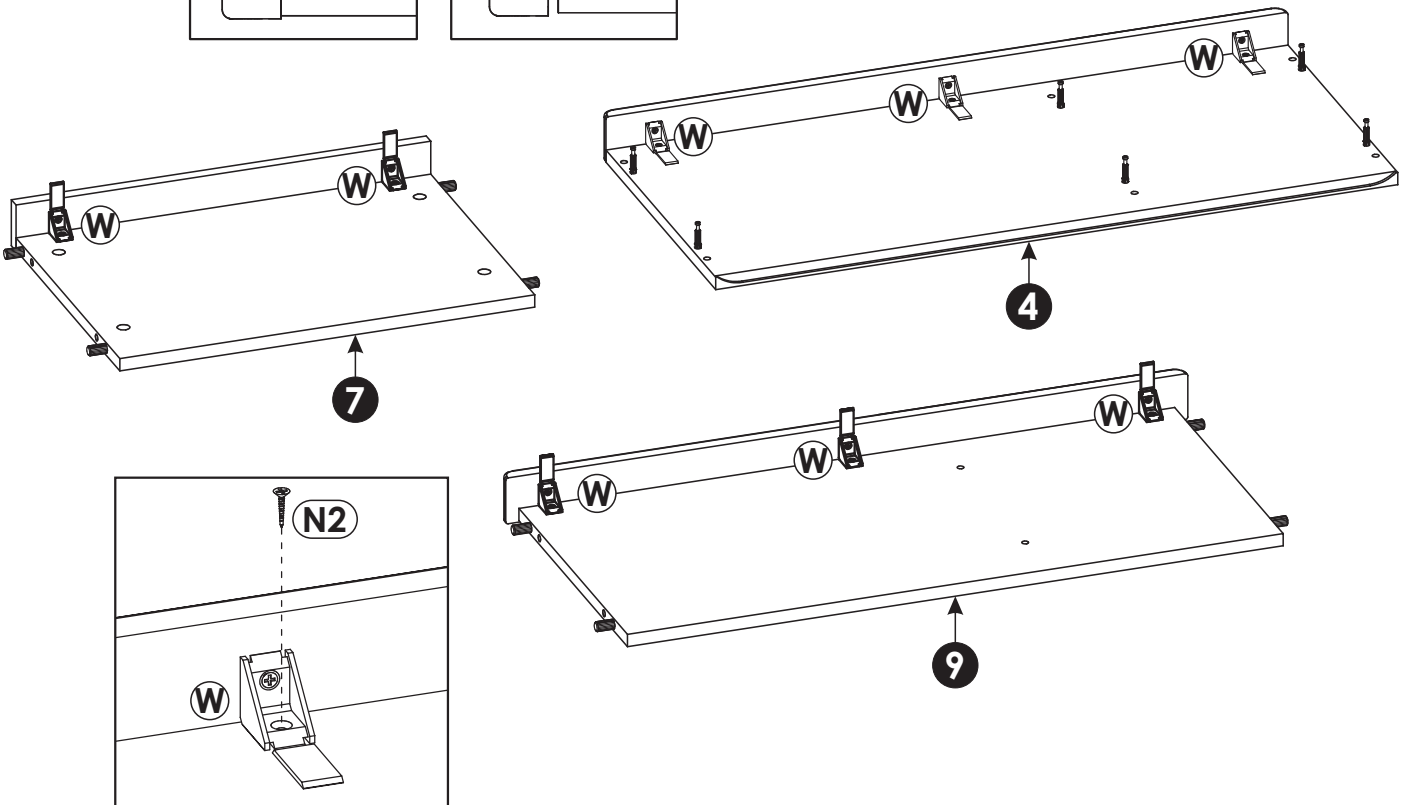
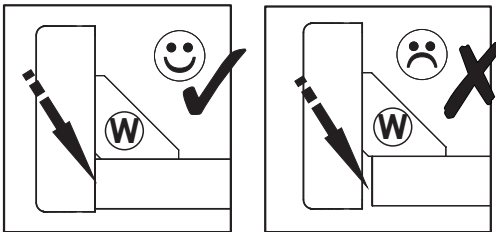
6 ▶



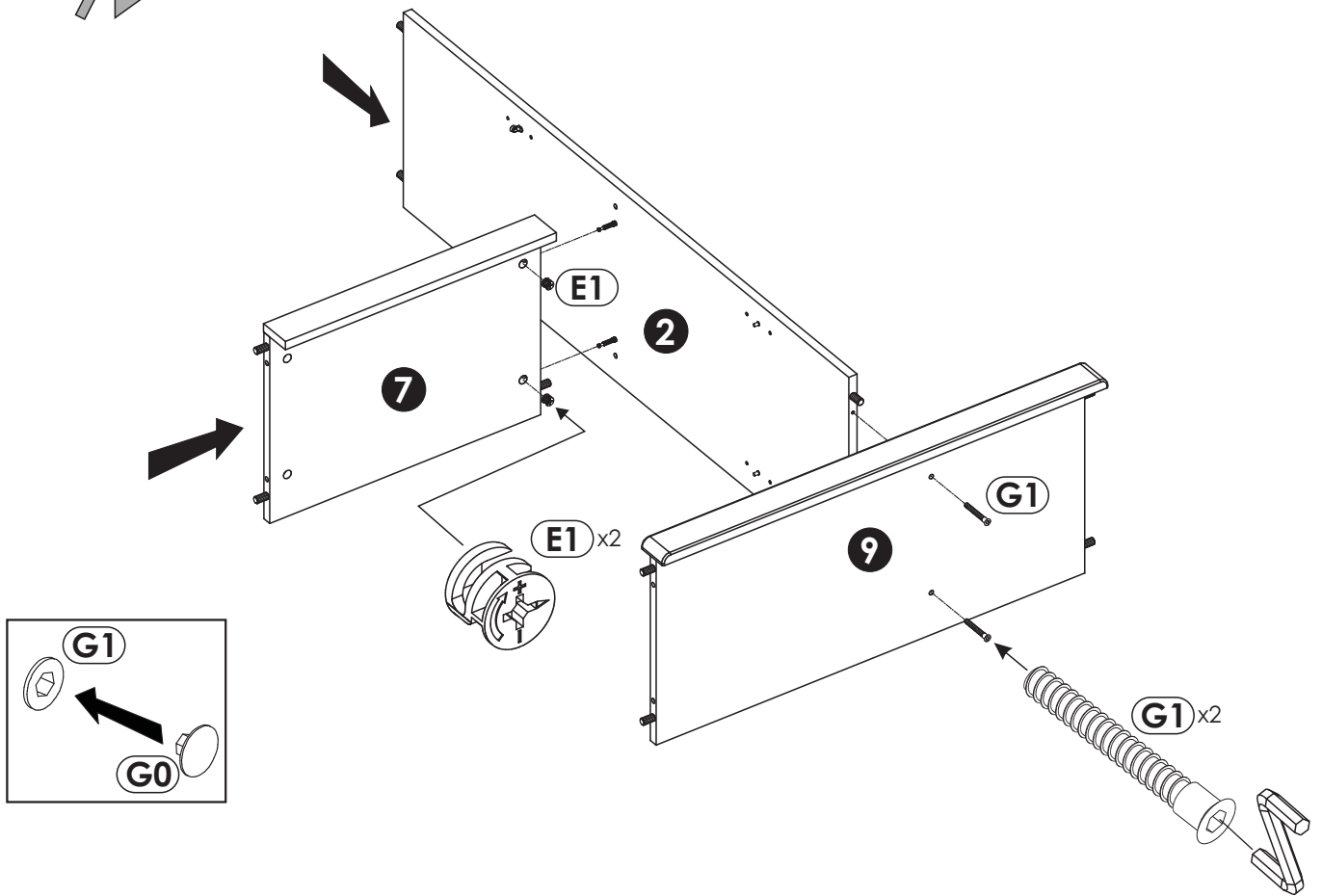
7 ▶



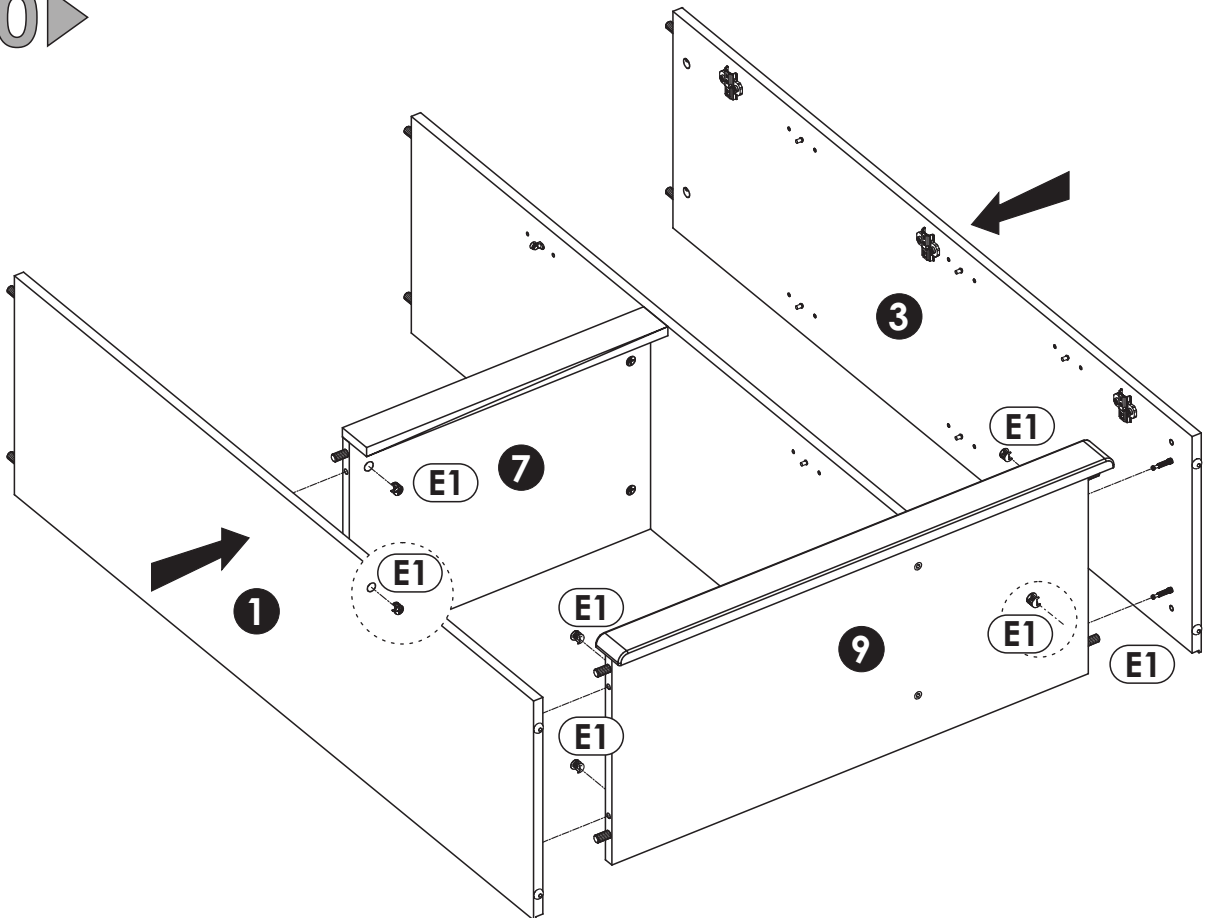
8 ▶



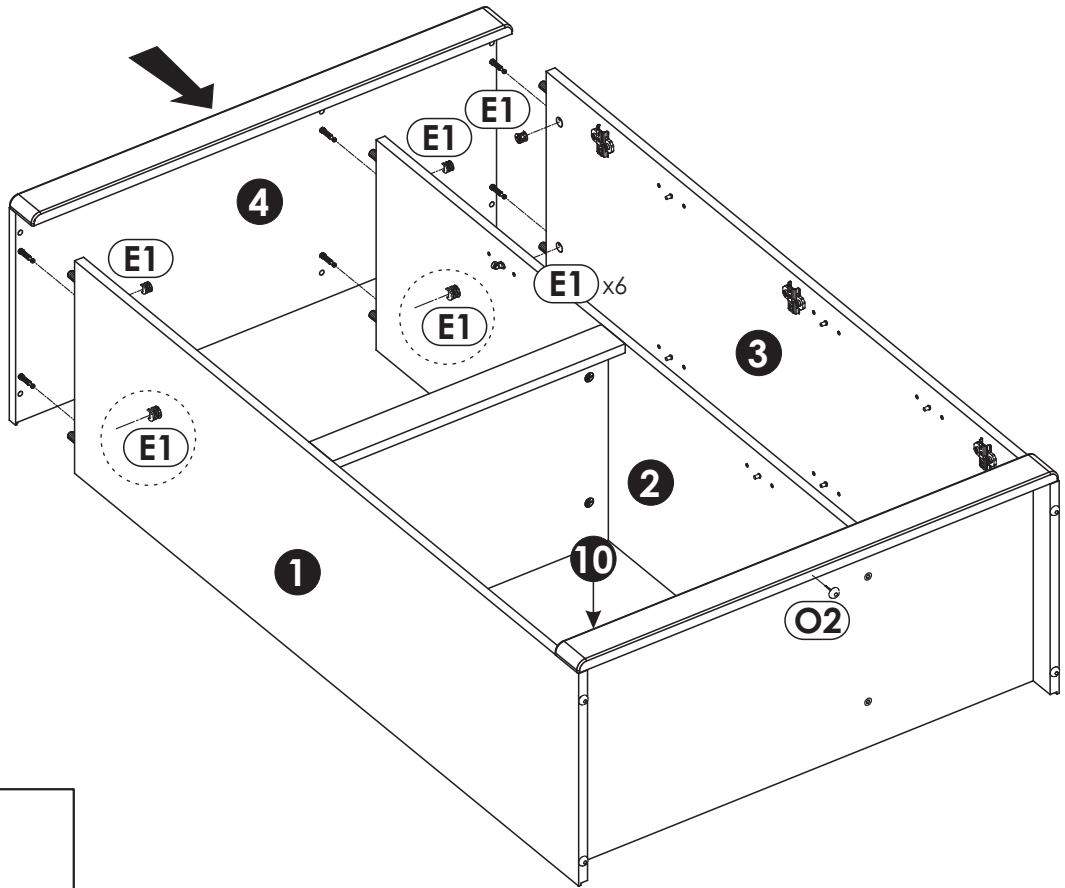
9 ▶



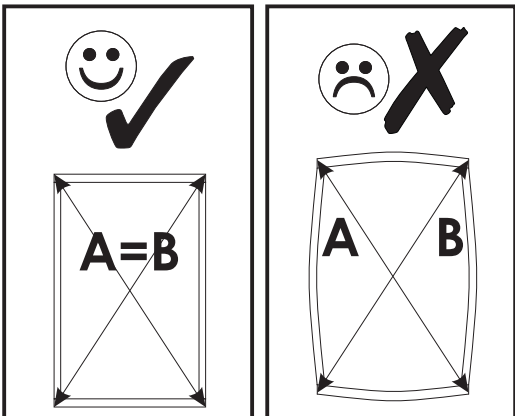
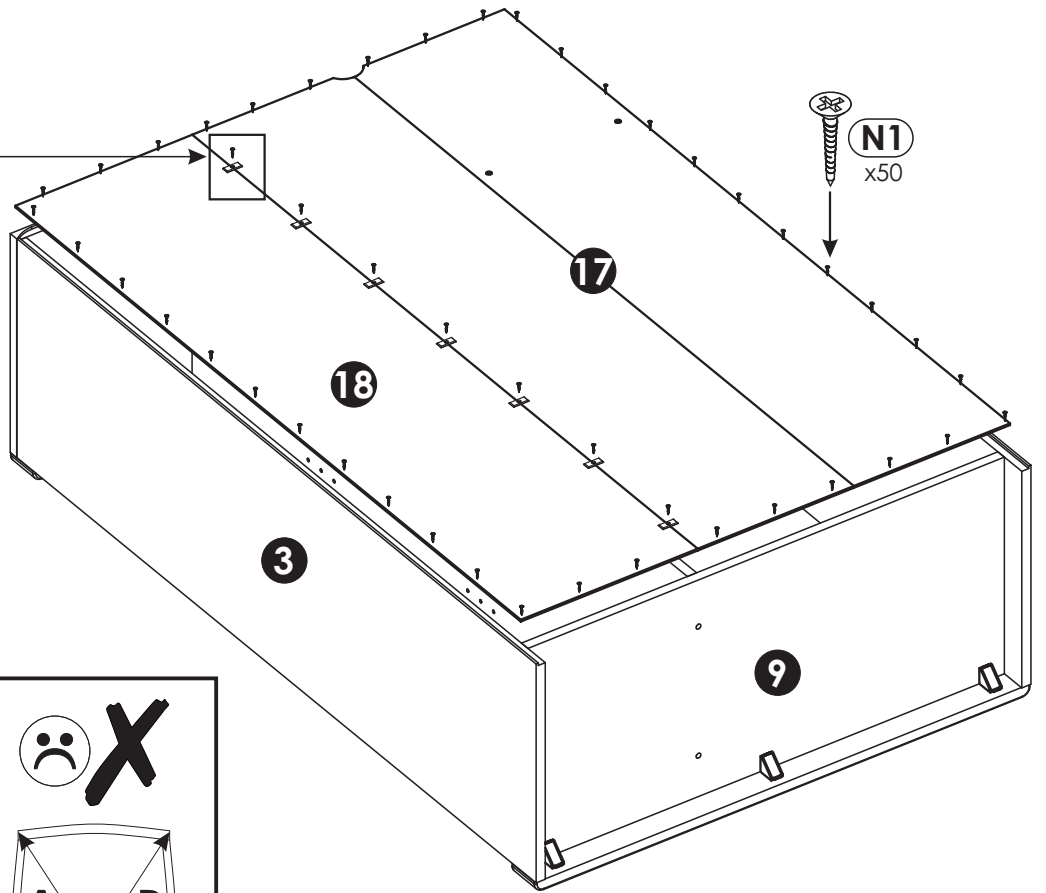
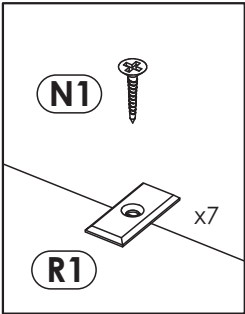
10 ▶



11 ▶



12 ▶



13 ▶

