
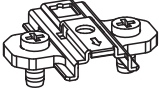
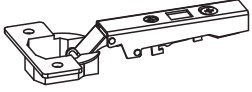

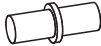




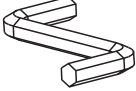




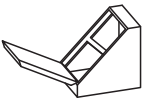
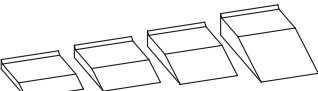
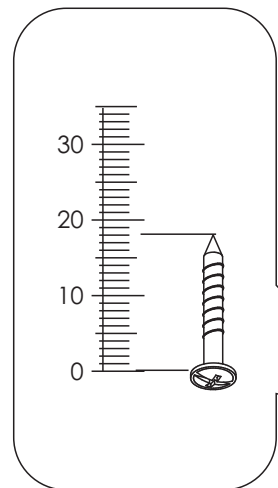
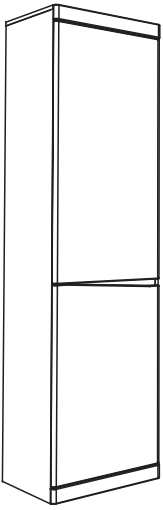
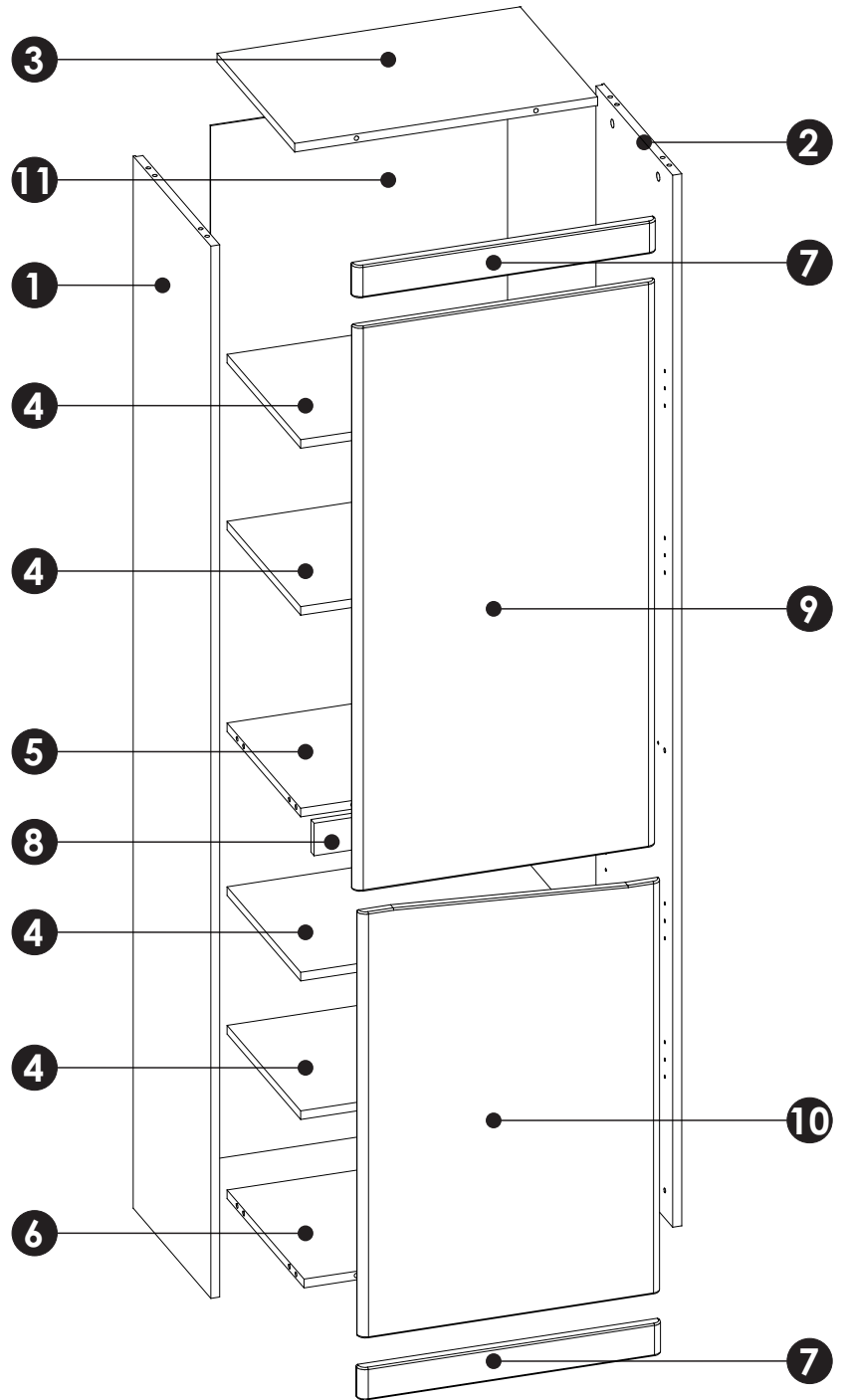


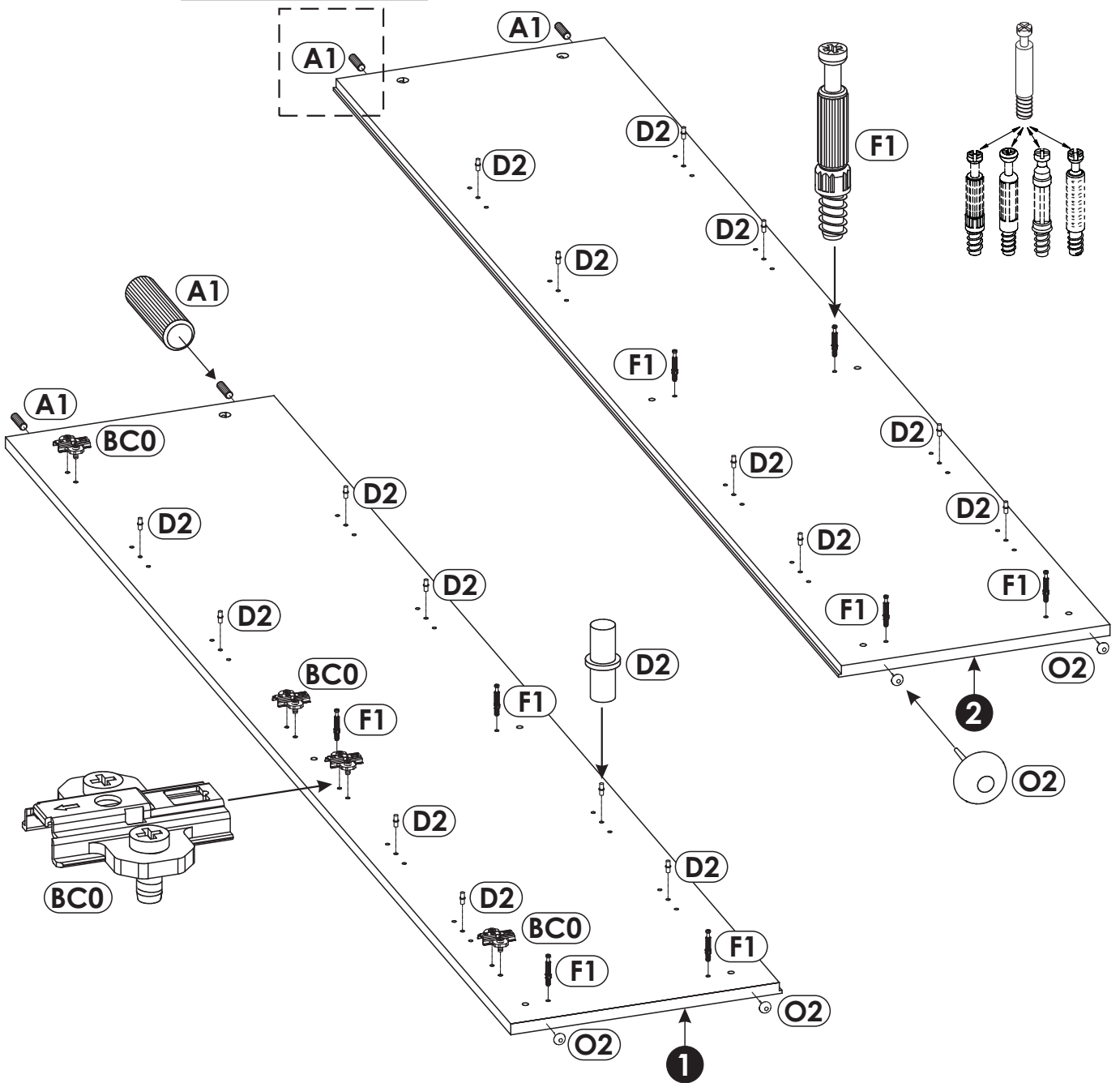
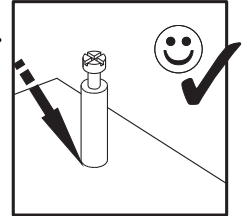
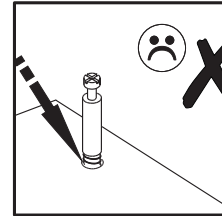
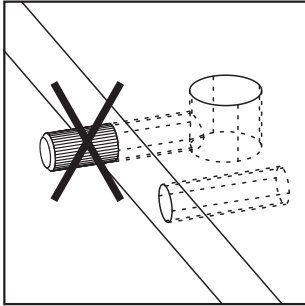
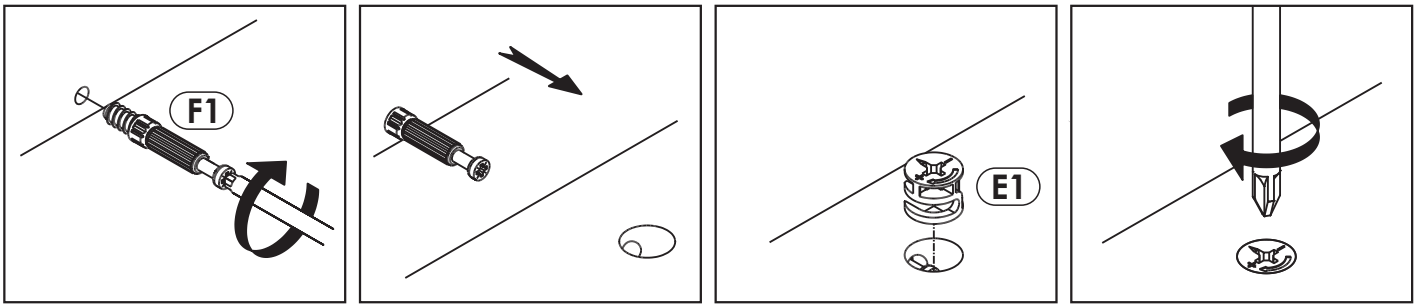
A1 x 18 \varnothing 8 x 35 mm 	BC0 x 4 	BC1 x 4 
C1 x 8 EURO 4 x 13 mm 	D2 x 16 	E0 x 12 
E1 x 12 \varnothing 15 x 12 mm 	F1 x 12 \varnothing 6 x 34 mm 	I2 x 1 4 x 16 mm 
M x 1 	N1 x 40 3 x 16 mm 	N2 x 12 3,5 x 16 mm 
O2 x 4 	Q9 x 1 	W x 6 
Z x 1 		



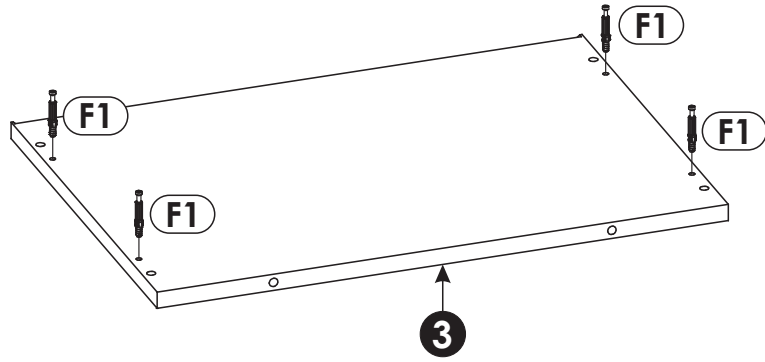


1	1944	380	16	x1	2/2
2	1944	380	16	x1	2/2
3	540	380	16	x1	1/2
4	507	360	16	x1	1/2
5	507	359	16	x1	1/2
6	507	376	16	x1	1/2
7	540	60	19	x2	1/2
8	507	60	16	x1	1/2
9	538	1044	16	x1	1/2
10	538	787	16	x1	1/2
11	1910	529	3	x1	2/2

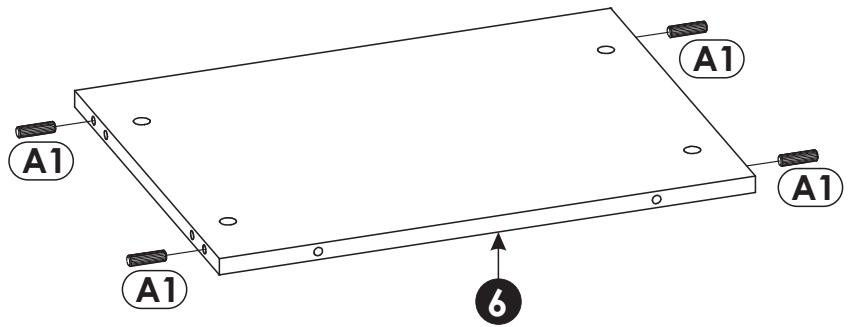
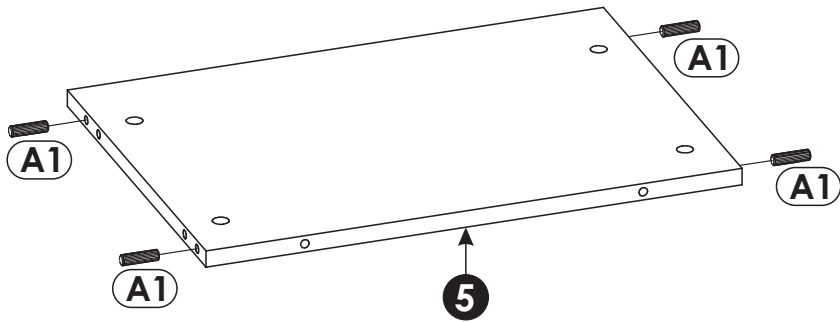




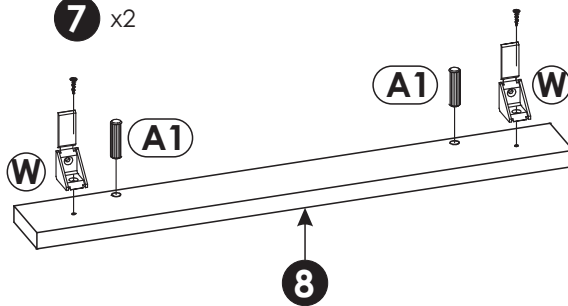
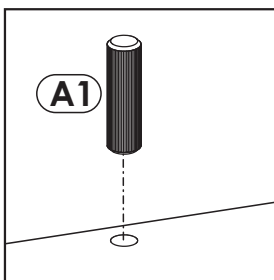
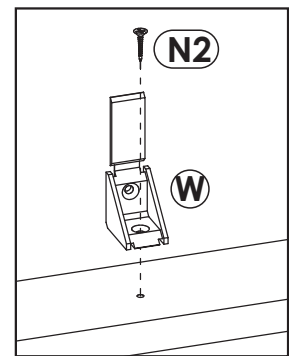
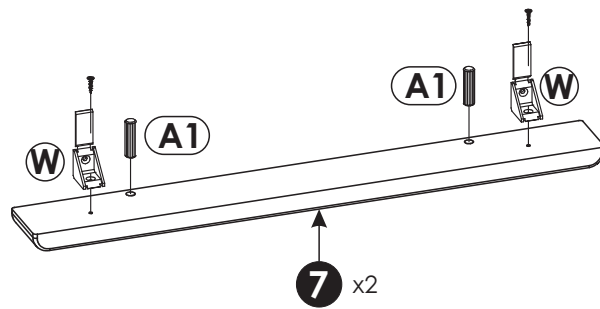
2 ▶



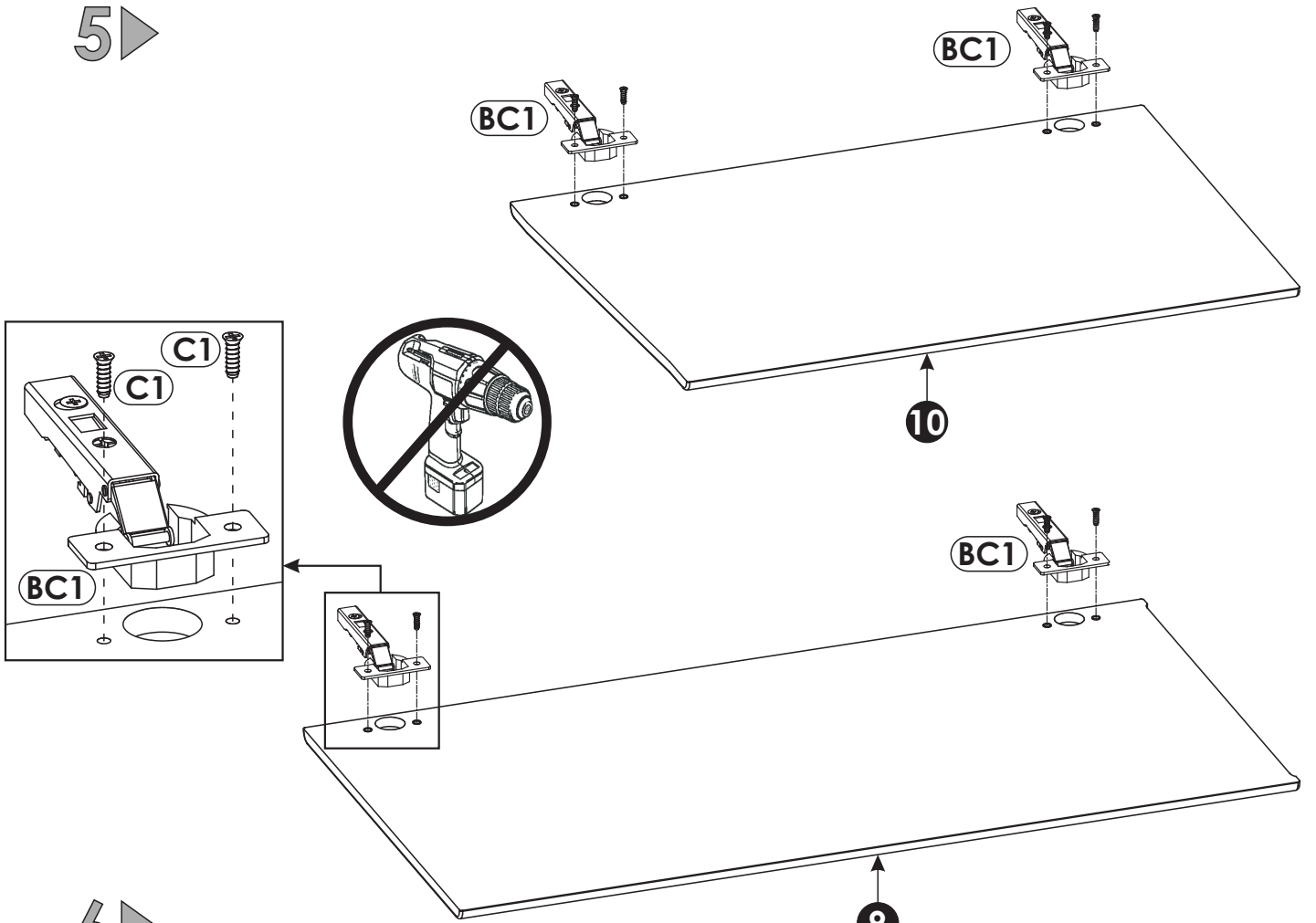
3 ▶



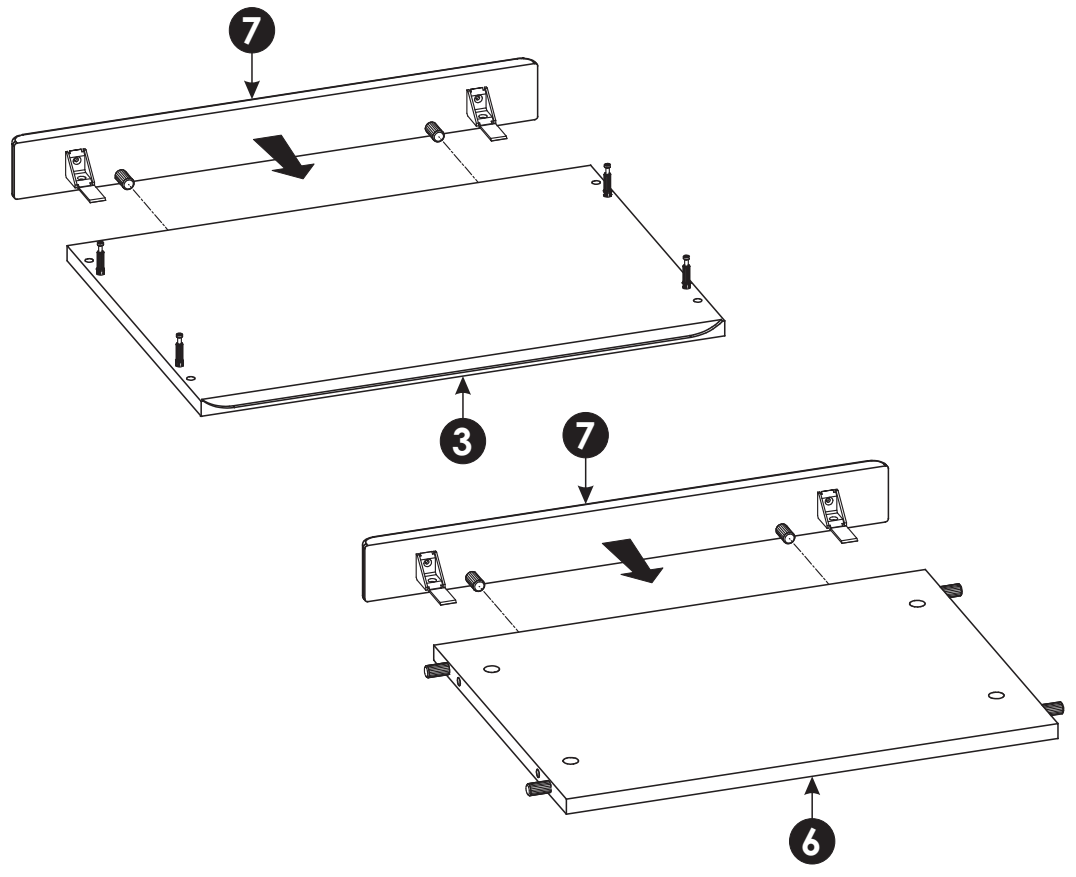
4 ▶



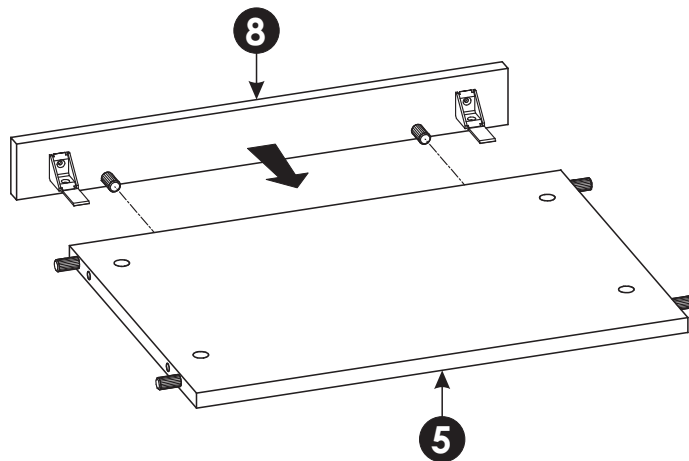
5 ▶



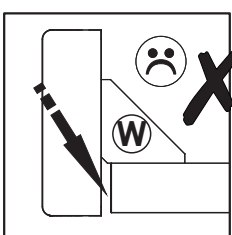
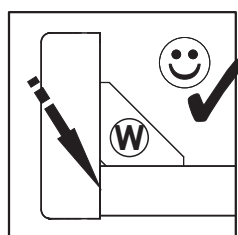
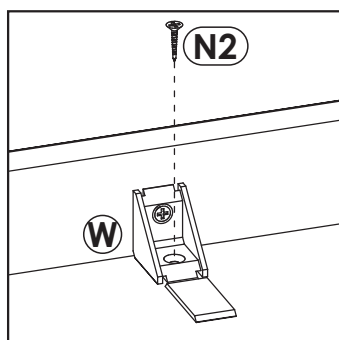
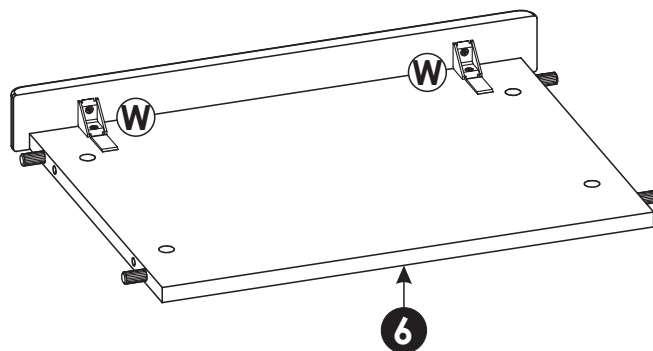
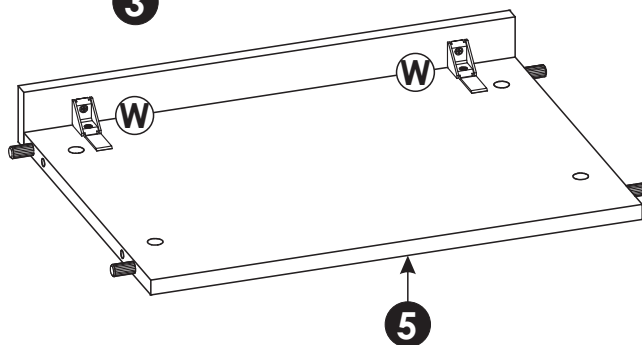
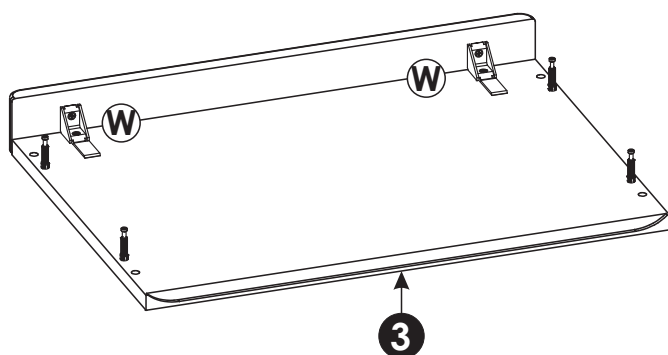
6 ▶



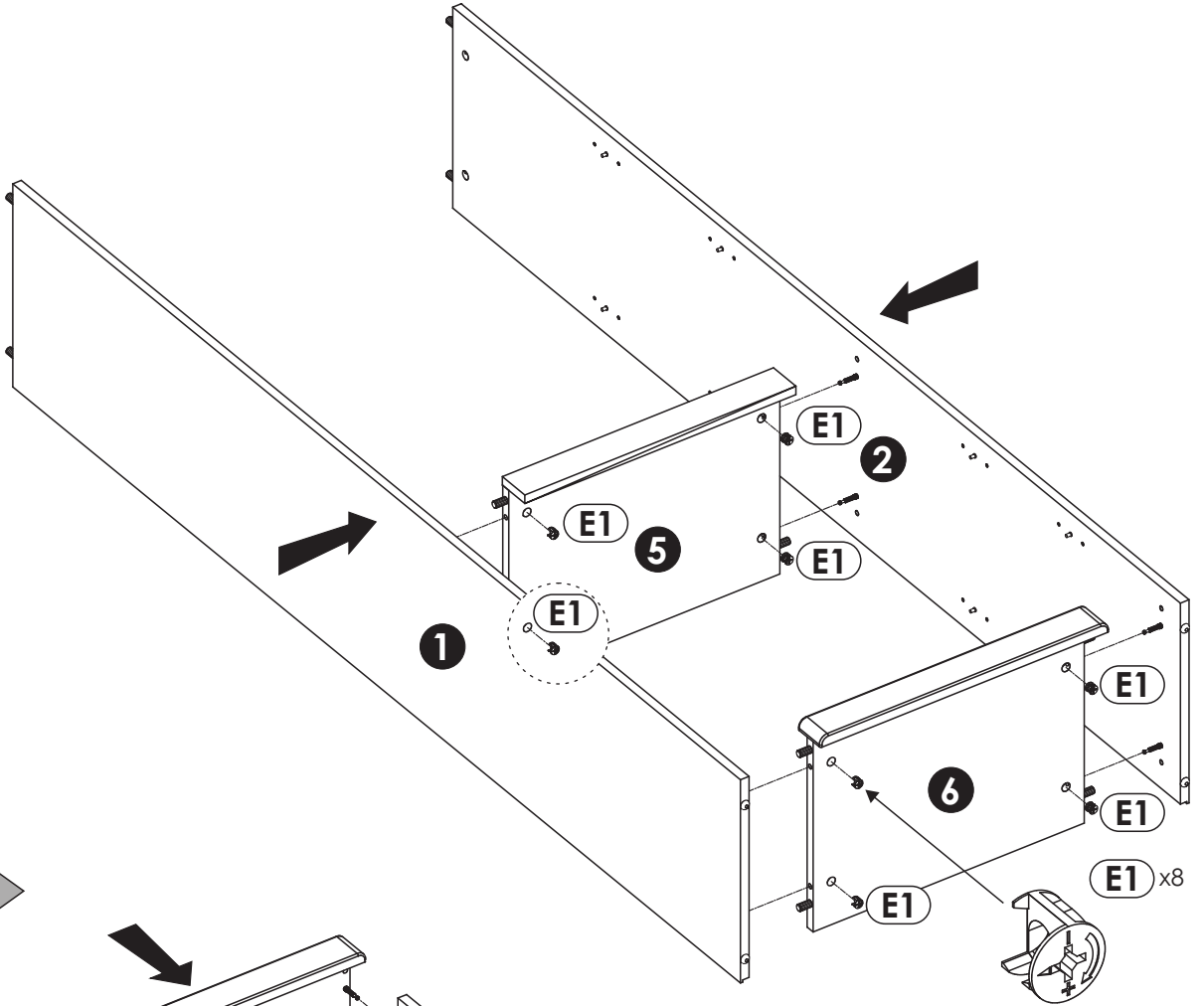
7 ▶



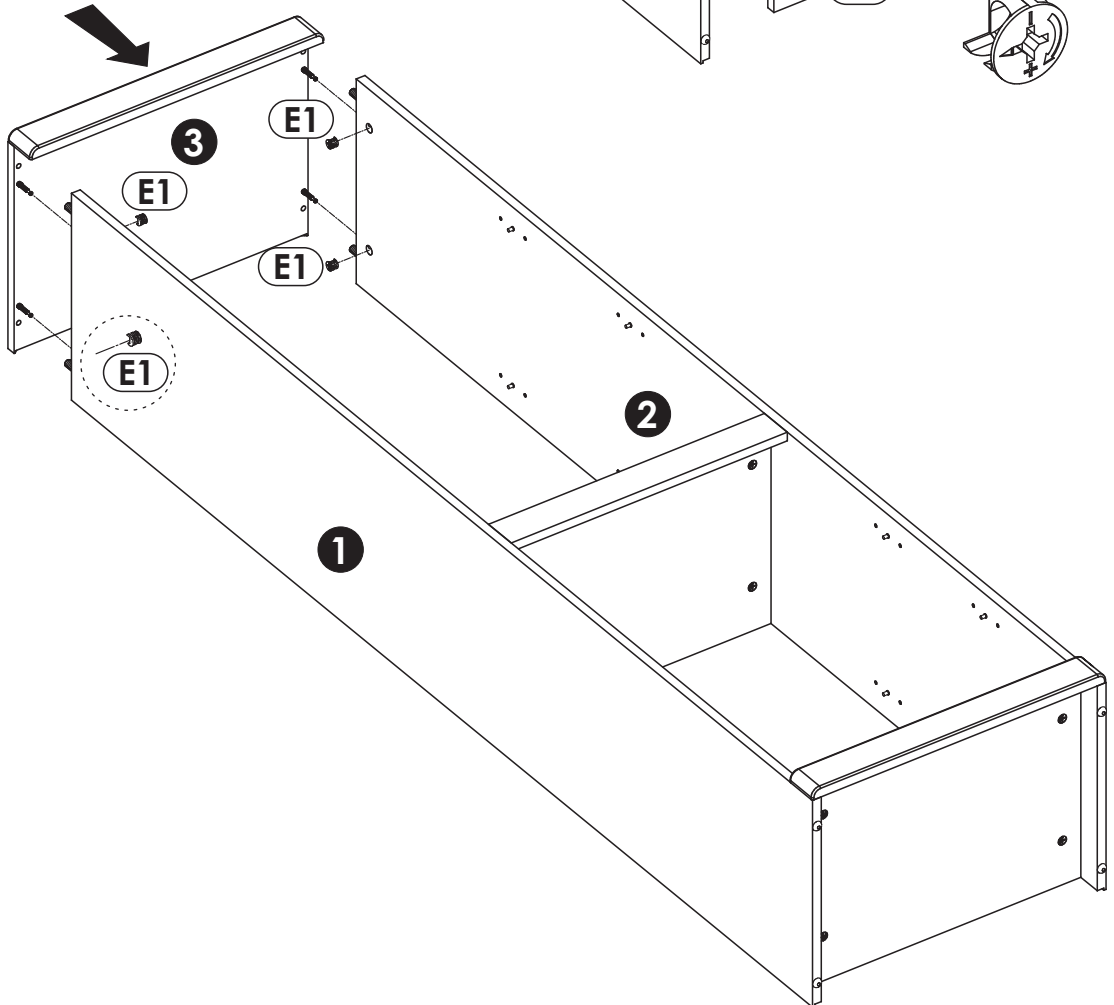
8 ▶



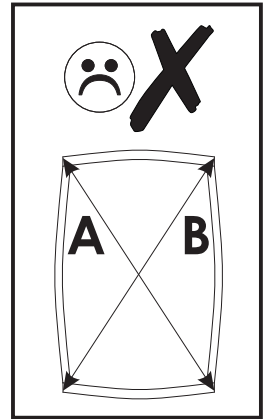
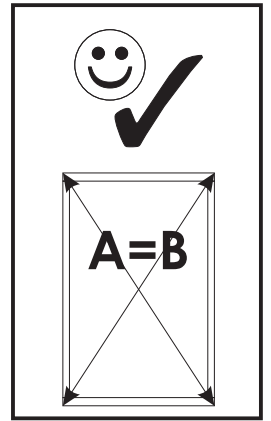
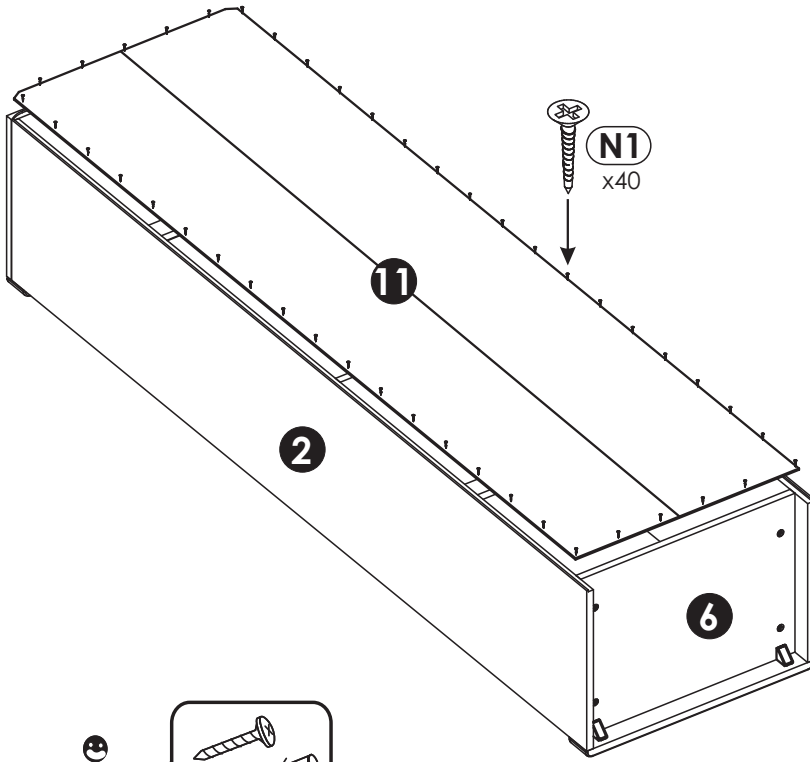
9 ▶



10 ▶



10 ▶



11 ▶

