

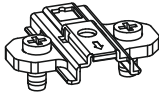
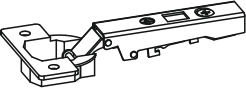

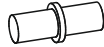

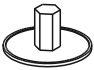


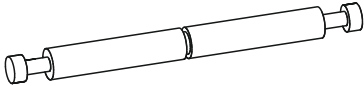


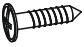
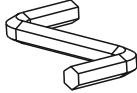


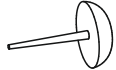

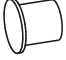


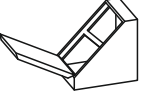
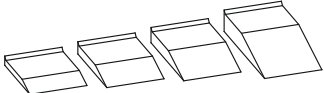
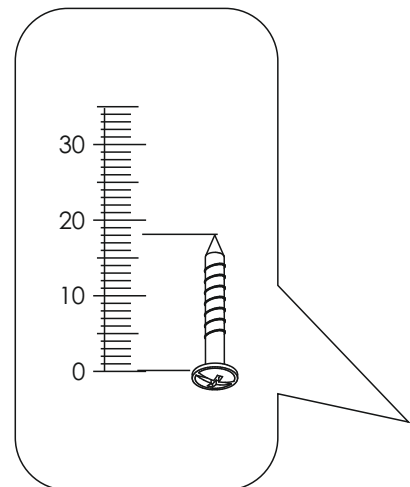
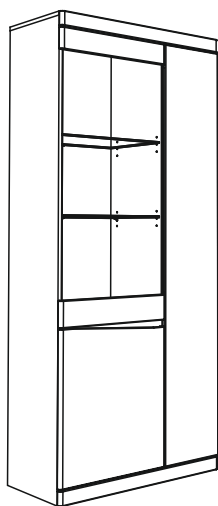
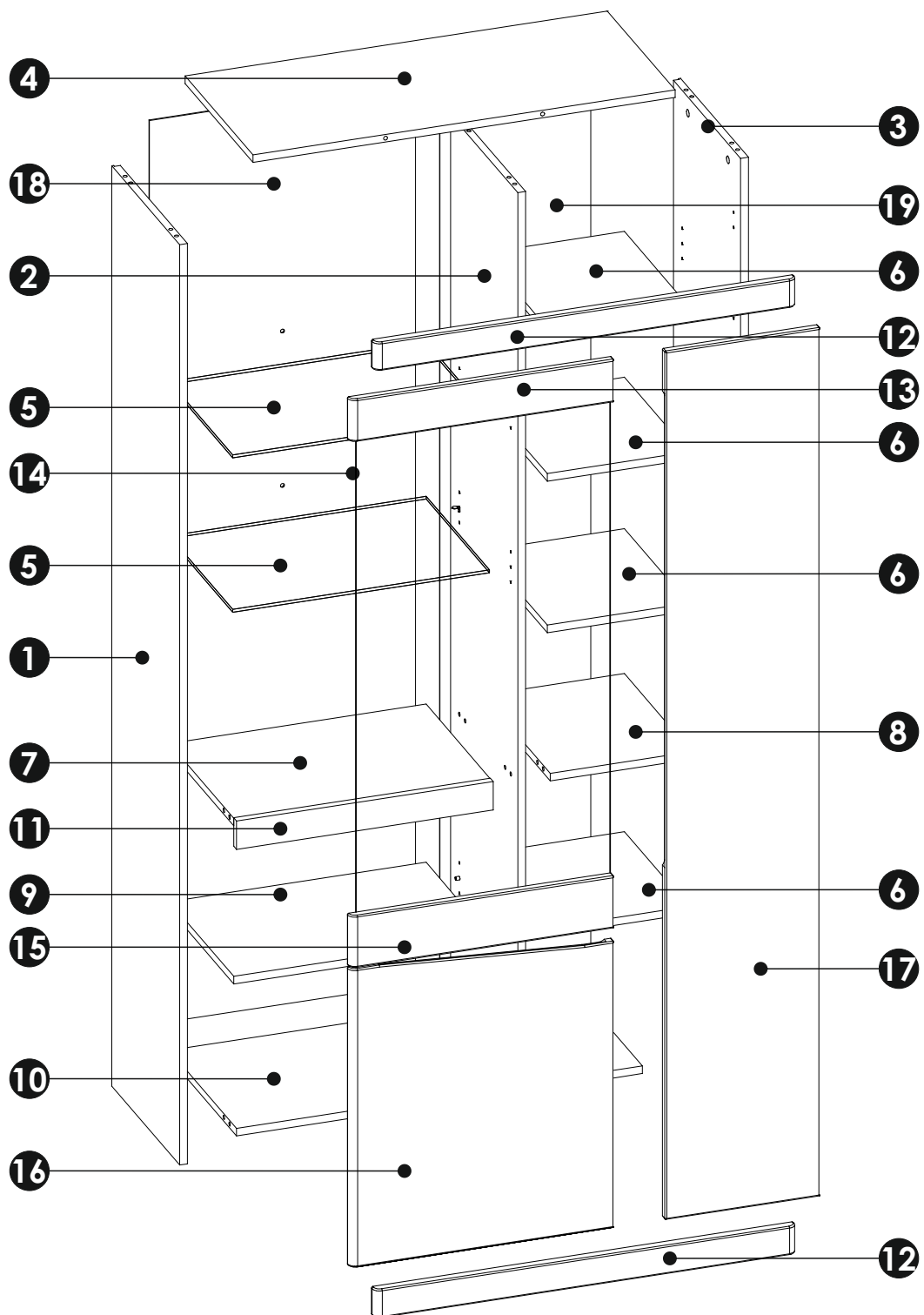


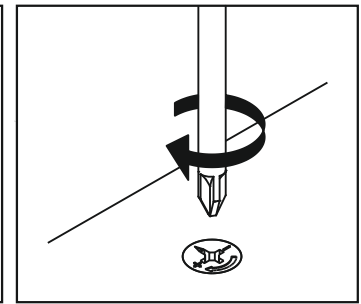
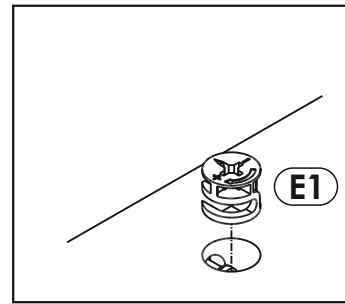
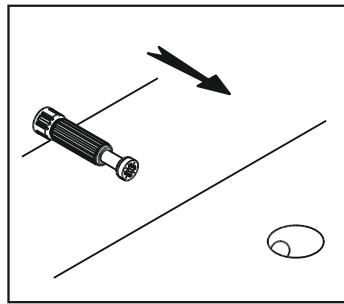
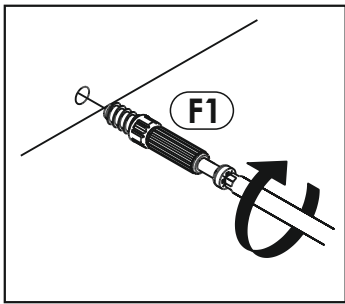
<p>A1 x 22 \varnothing8 x 35 mm</p> 	<p>A2 x 2 \varnothing8 x 60 mm</p> 	<p>BC0 x 7</p> 
<p>BC1 x 7</p> 	<p>C1 x 14 EURO 4 x 13 mm</p> 	<p>D2 x 20</p> 
<p>D7 x 8</p> 	<p>E0 x 18</p> 	<p>E1 x 18 \varnothing15 x 12 mm</p> 
<p>F1 x 14</p> 	<p>F4 x 2 \varnothing7 x 76 mm</p> 	<p>G0 x 2</p> 
<p>G1 x 2</p> 	<p>I2 x 8 4 x 16 mm</p> 	<p>M x 1</p> 
<p>N1 x 60 3 x 16 mm</p> 	<p>N2 x 16 3,5 x 16 mm</p> 	<p>O2 x 4</p> 
<p>Q9 x 2</p> 	<p>P9 x 4 \varnothing8</p> 	<p>R1 x 12</p> 
<p>R3 x 6</p> 	<p>W x 8</p> 	<p>Z x 1</p> 



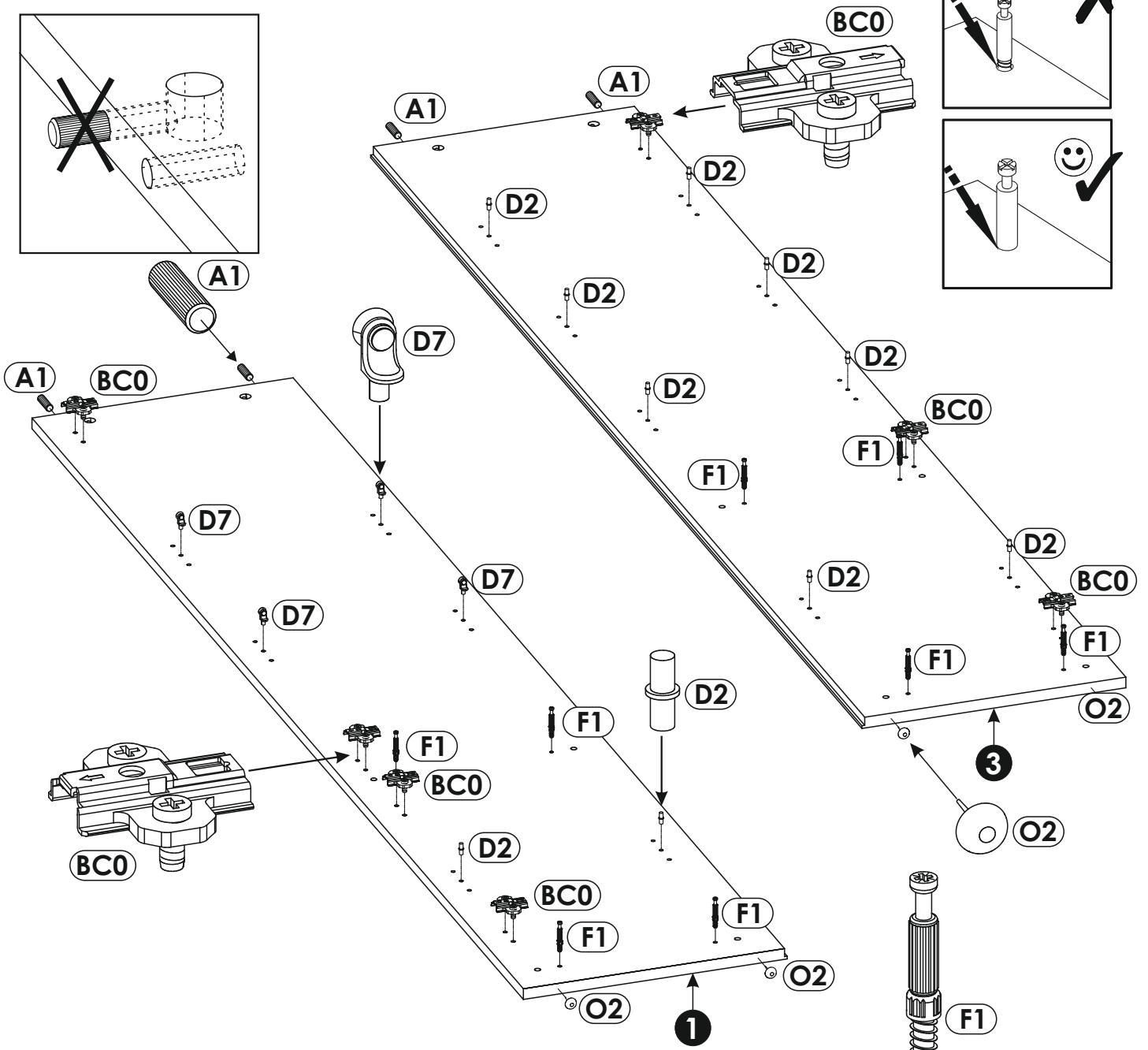
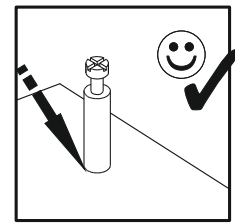
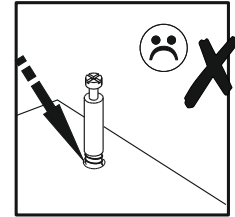
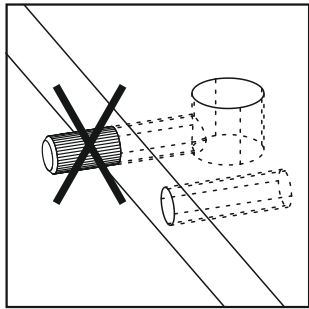


1	1944	380	16 x1	2/2
2	1885	376	16 x1	3/2
3	1944	380	16 x1	2/2
4	860	380	16 x1	1/2
5	522	335	6 x2	1/2
6	288	360	16 x4	1/2
7	523	359	16 x1	1/2
8	288	376	16 x1	1/2
9	523	360	16 x1	1/2
10	827	376	16 x1	1/2
11	523	60	16 x1	1/2
12	860	60	19 x2	3/2
13	538	90	16 x1	1/2
14	1049	518	5 x1	2/2
15	538	110	16 x1	1/2
16	538	630	16 x1	1/2
17	1834	316	16 x1	3/2
18	1910	542	3 x1	2/2
19	1910	307	3 x1	3/2

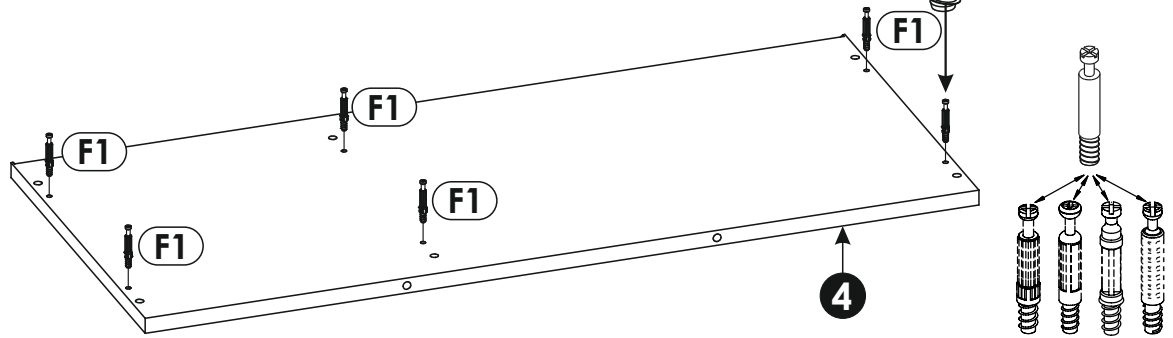




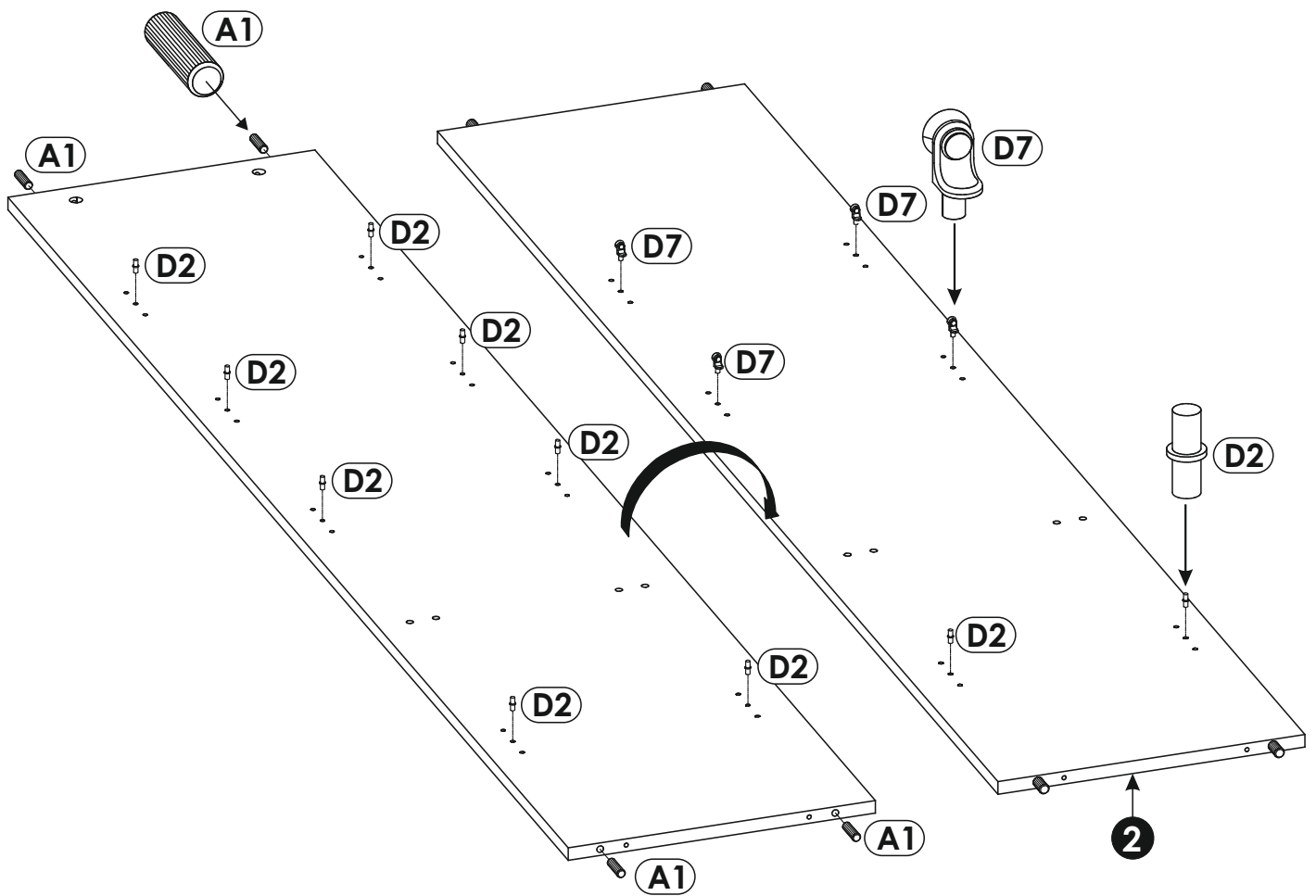
1 ▶



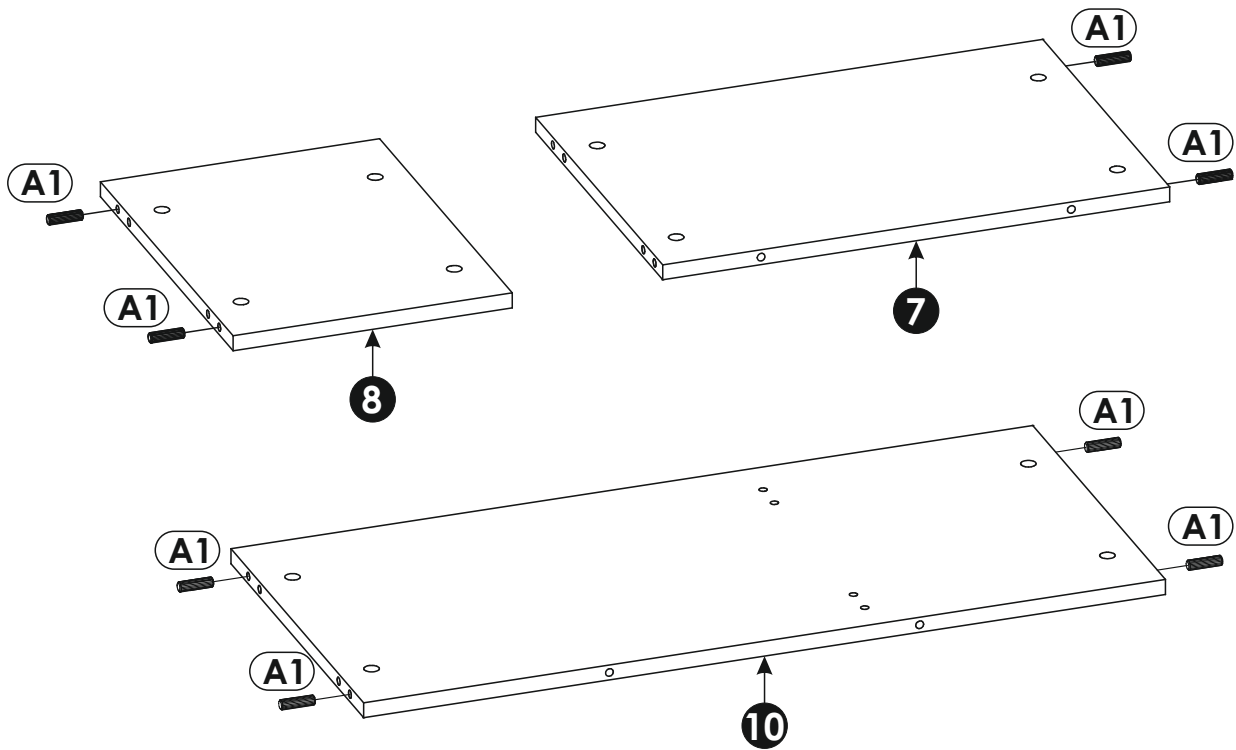
2 ▶



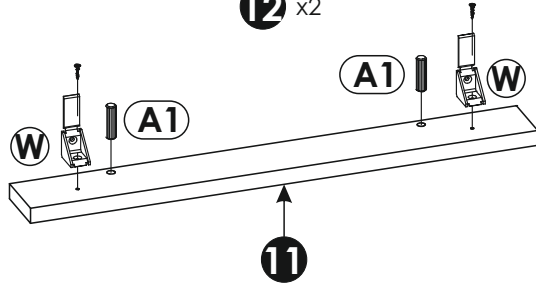
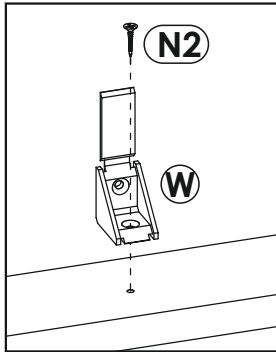
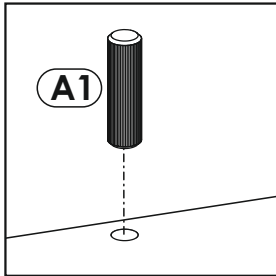
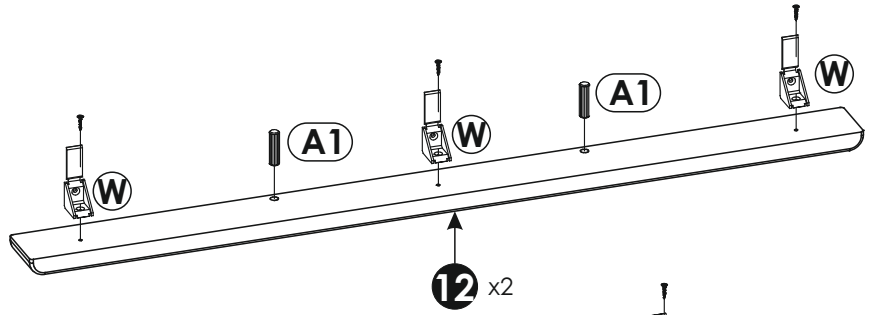
3 ▶



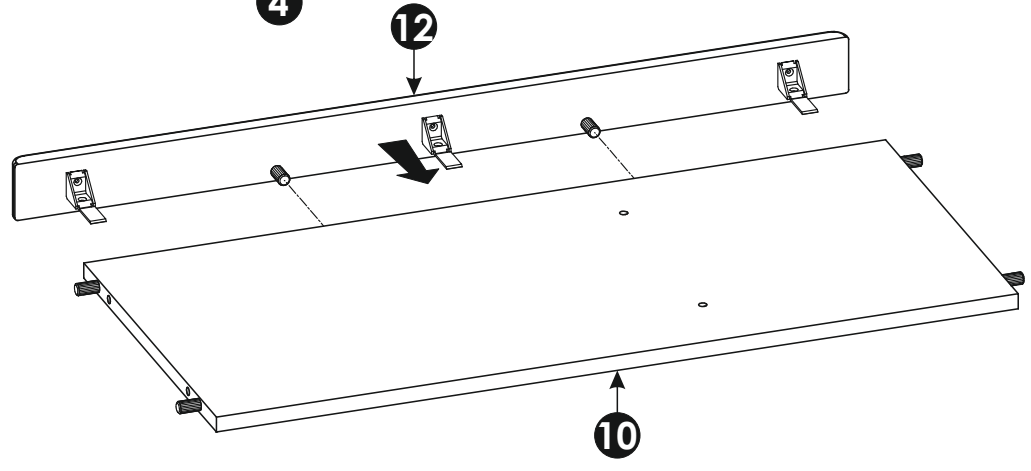
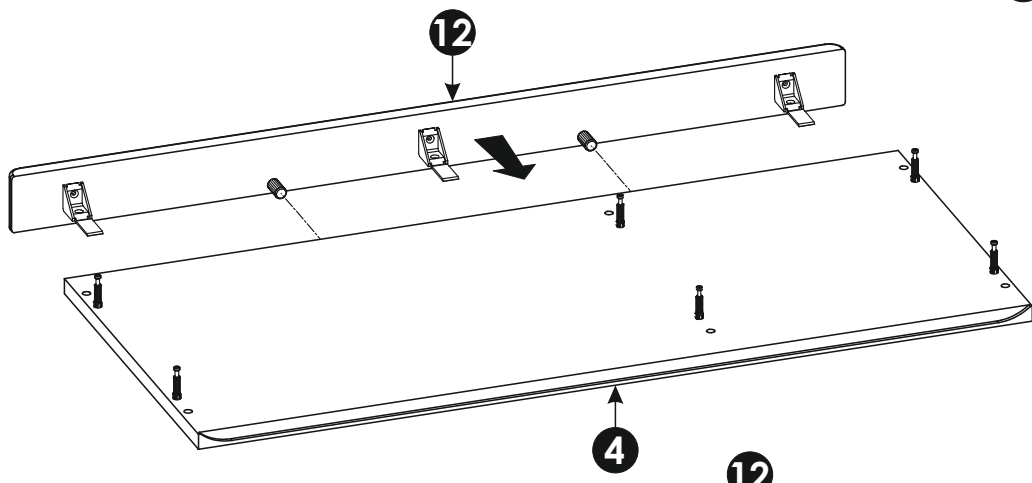
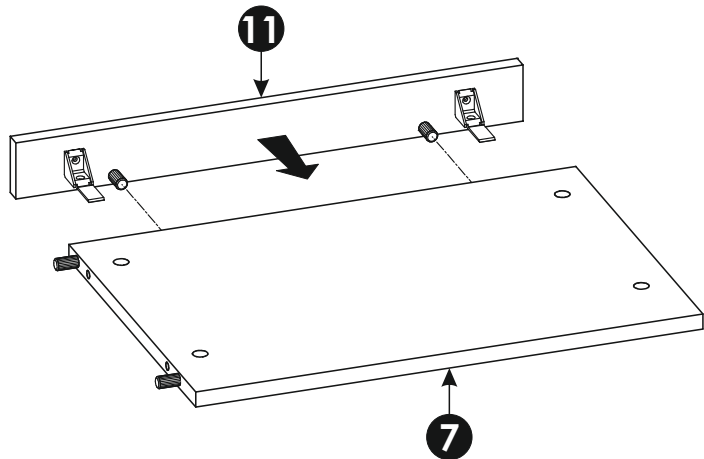
4 ▶



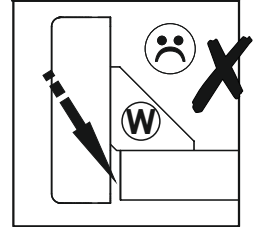
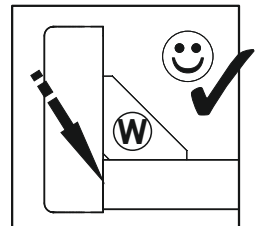
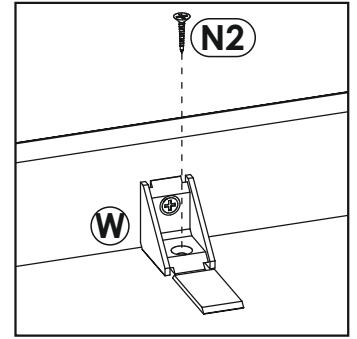
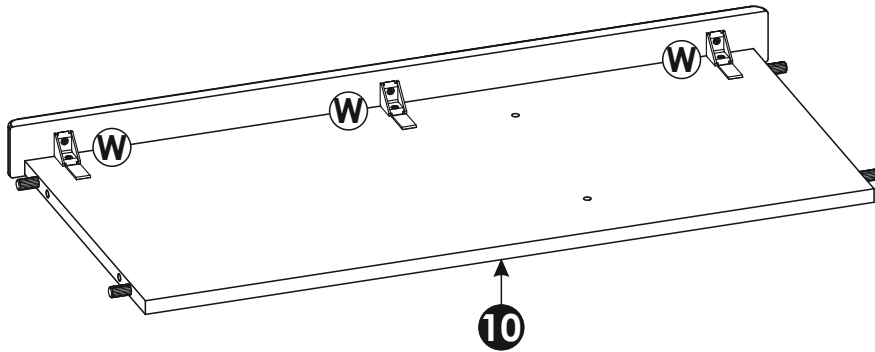
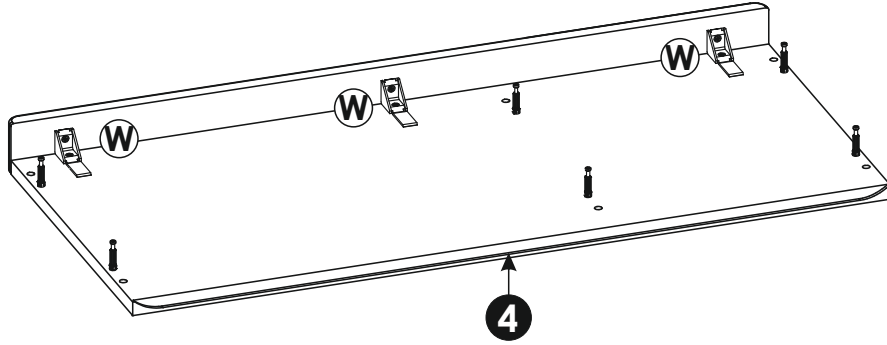
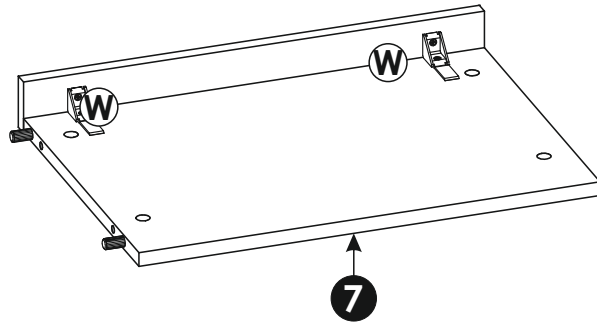
5 ▶



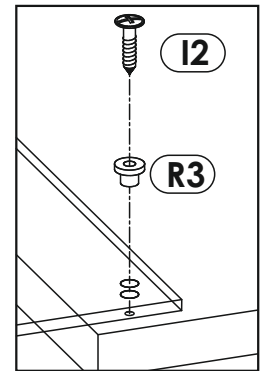
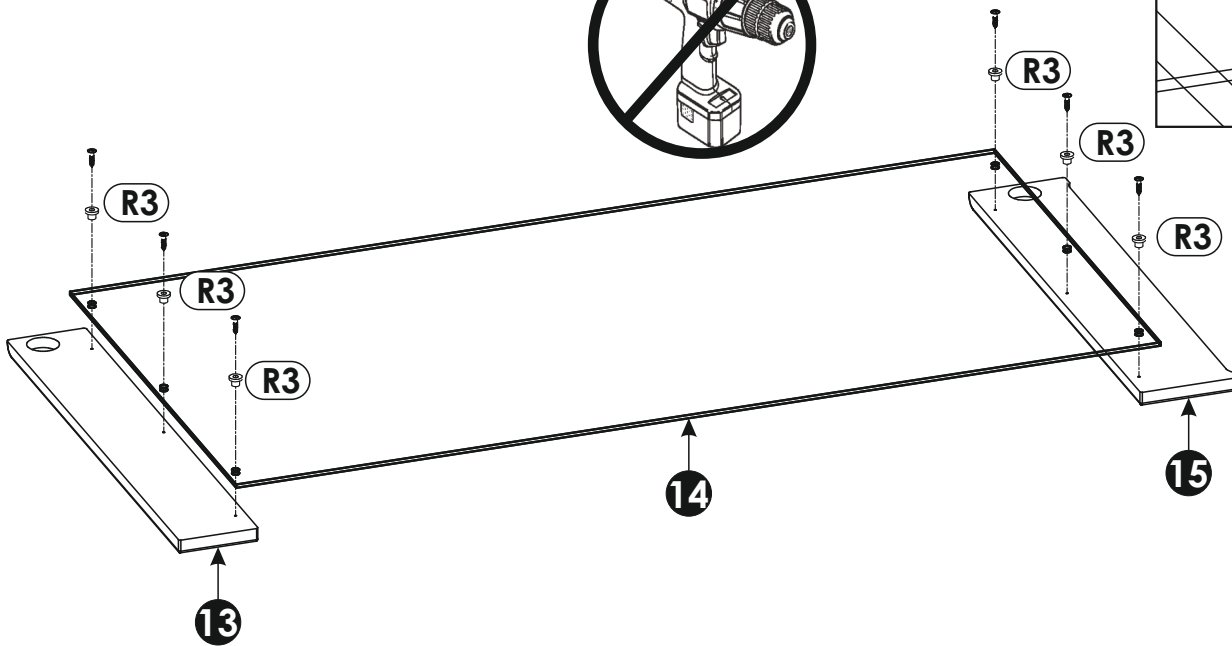
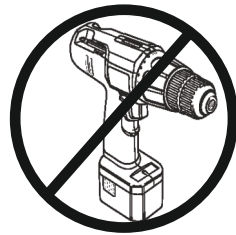
6 ▶



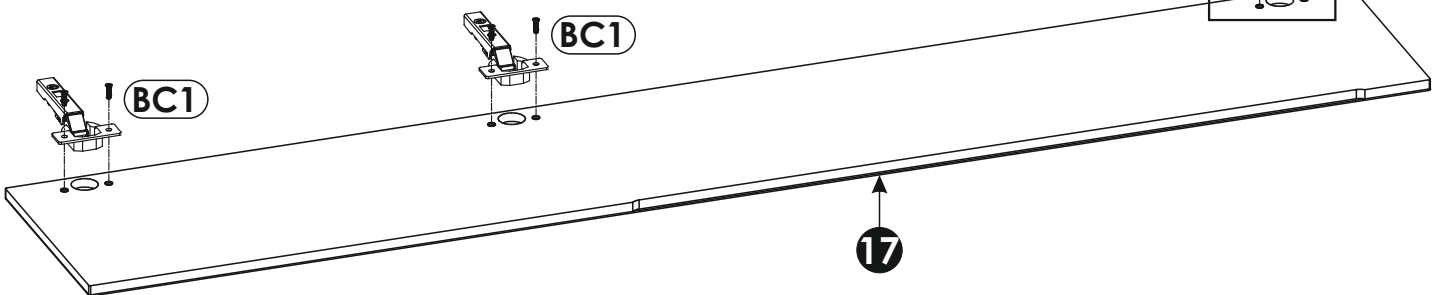
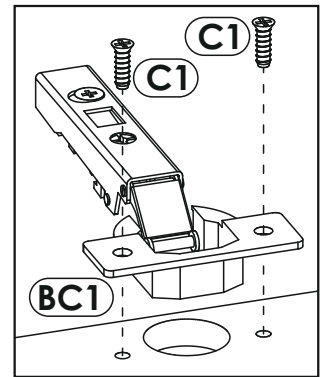
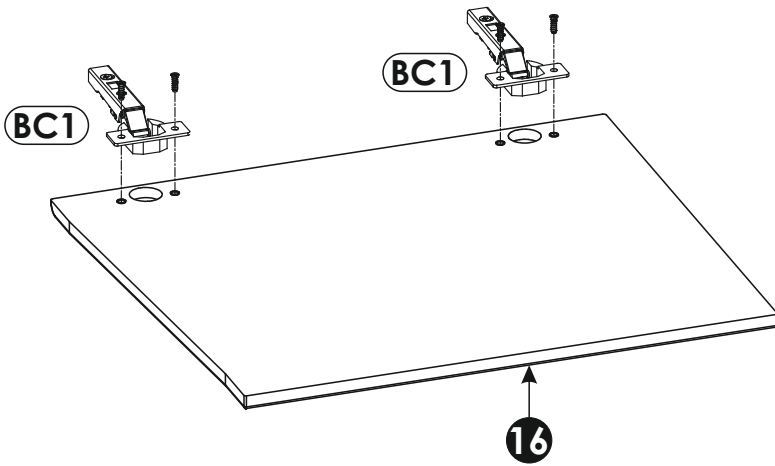
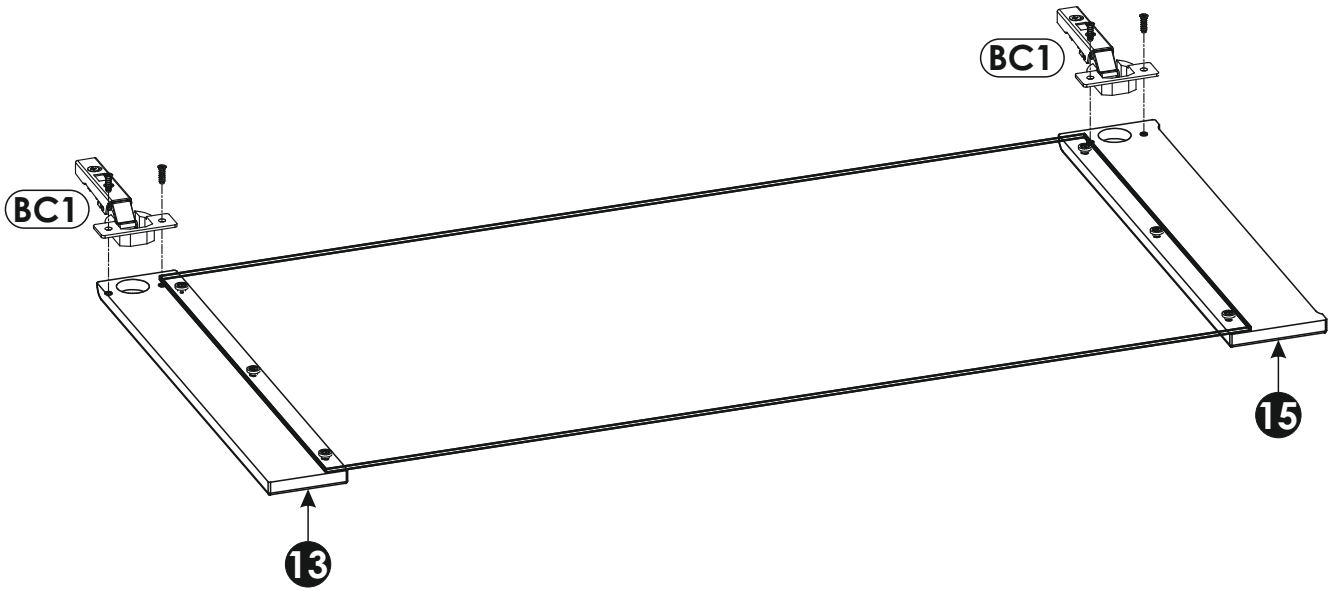
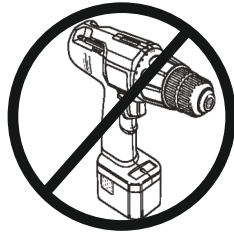
7 ▶



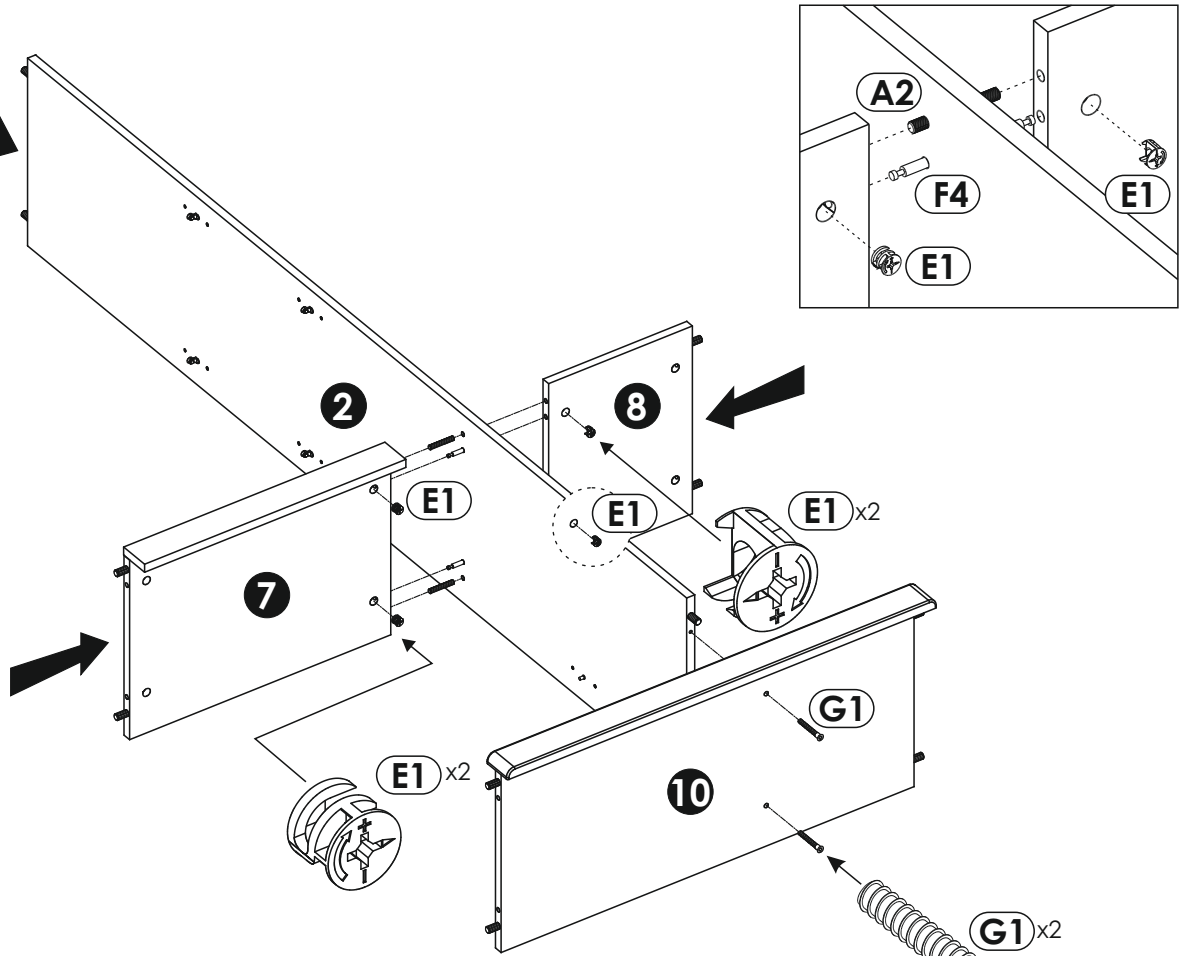
8 ▶



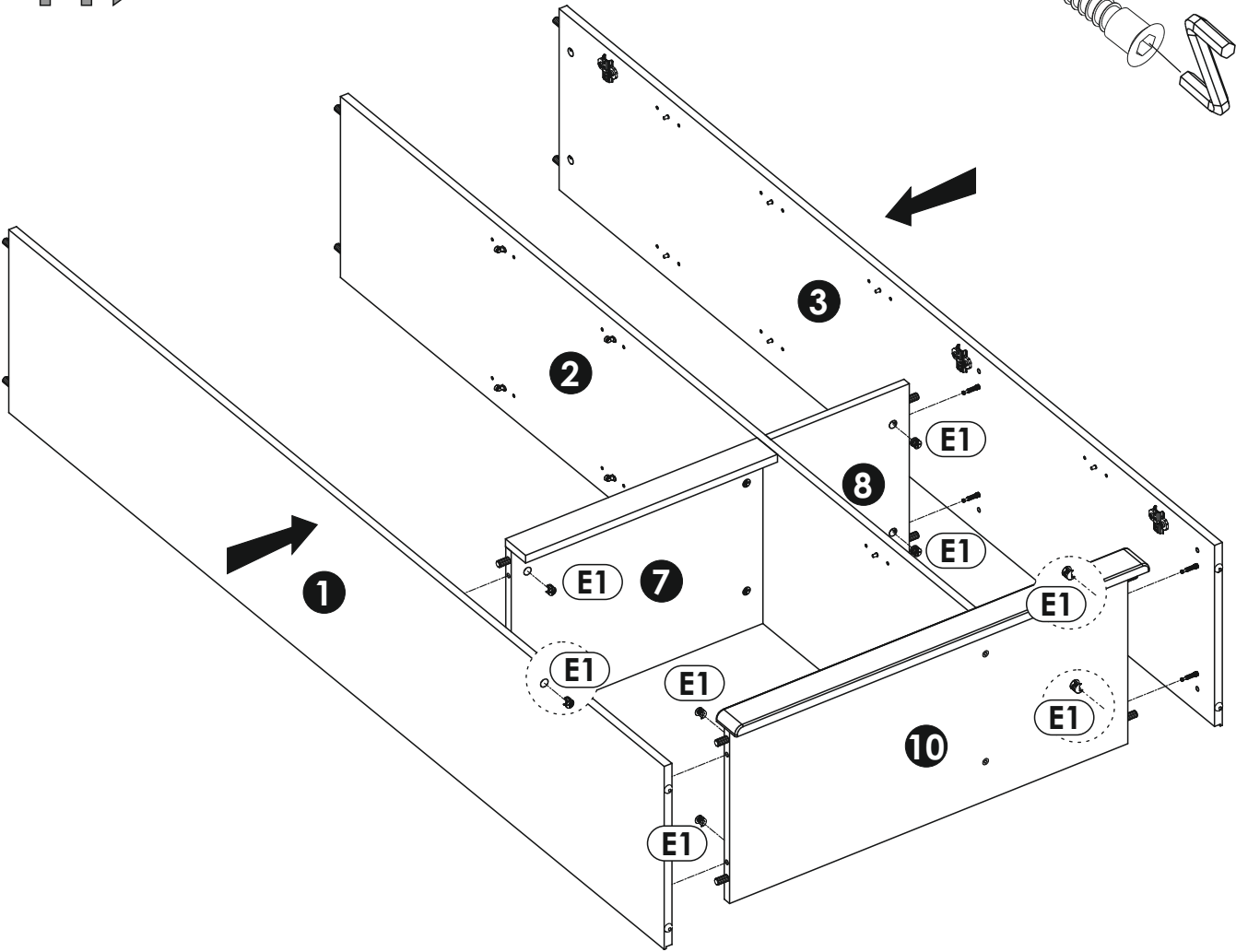
9 ▶



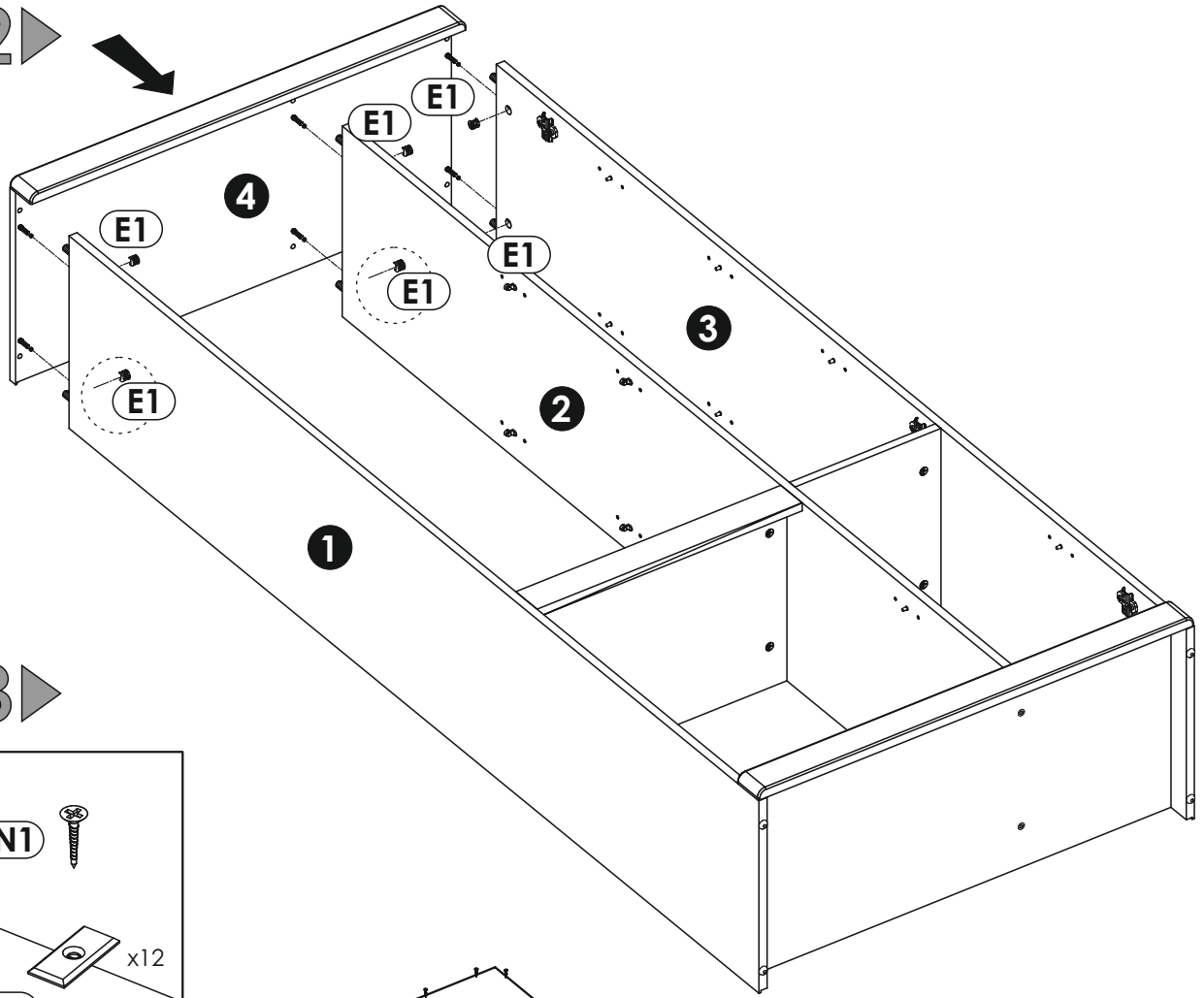
10 ▶



11 ▶



12 ▶



13 ▶

