

MM

260

250

240

230

220

210

200

190

180

170

160

150

140

130

120

110

100

90

80

70

60

50


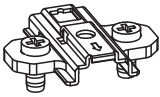
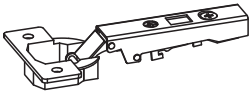

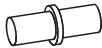





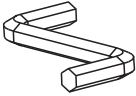


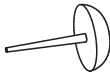


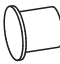

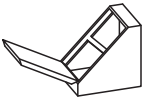
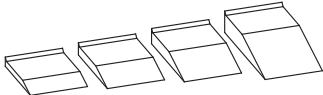
40

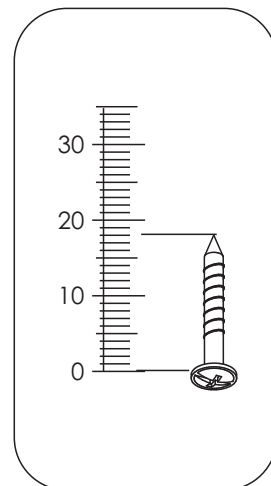
30

20

10

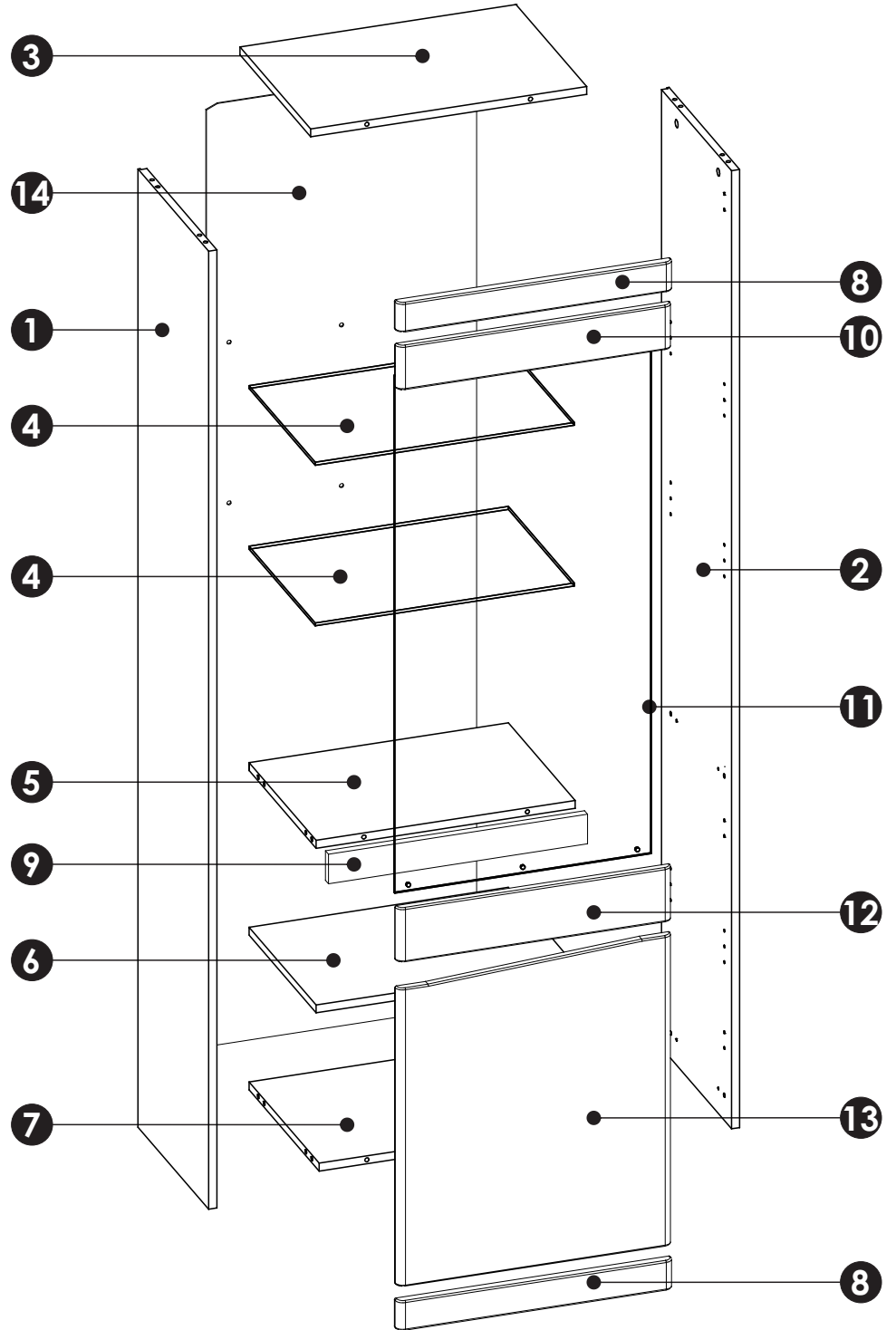
0

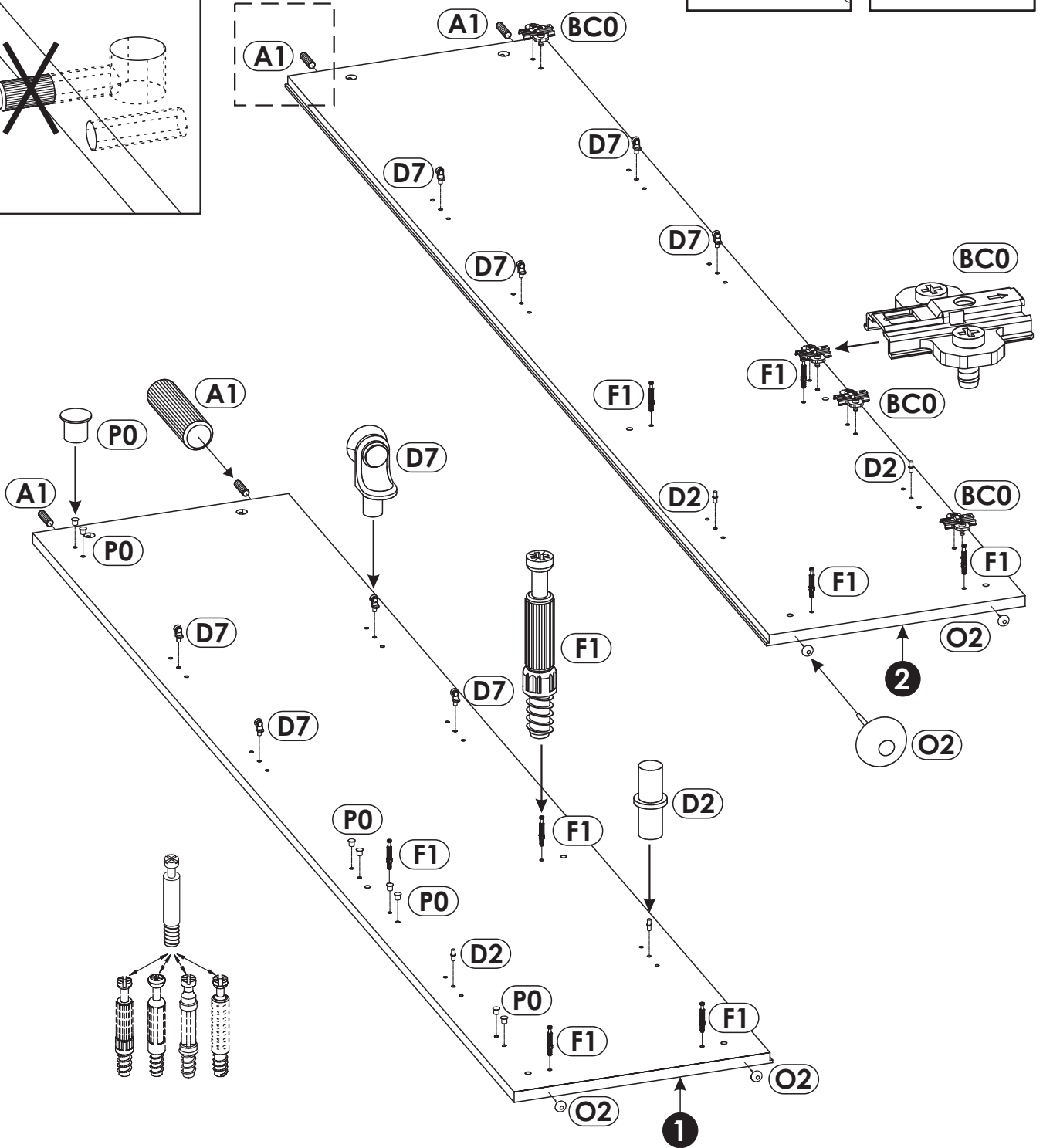
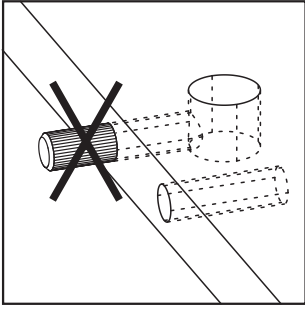
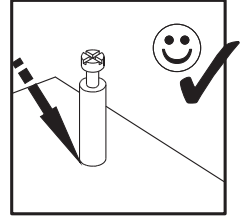
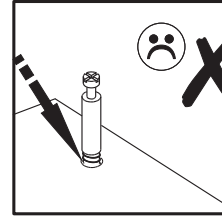
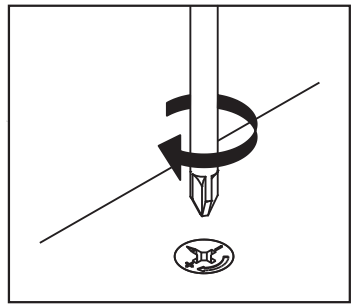
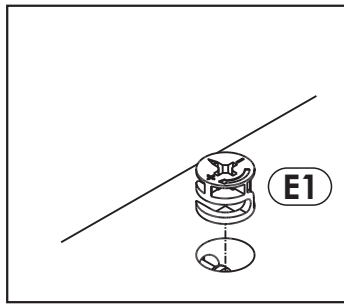
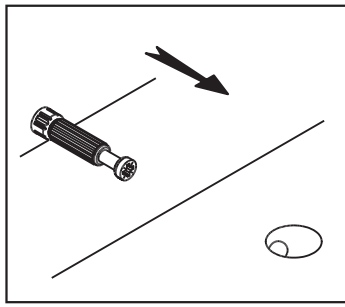
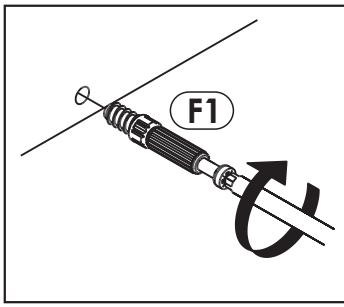
A1 x 18 \varnothing 8 x 35 mm 	BC0 x 4 	BC1 x 4 
C1 x 8 EURO 4 x 13 mm 	D2 x 4 	D7 x 8 
E0 x 12 	E1 x 12 \varnothing 15 x 12 mm 	F1 x 12 
I2 x 7 4 x 16 mm 	M x 1 	N1 x 40 3 x 16 mm 
N2 x 12 3,5 x 16 mm 	O2 x 4 	Q9 x 1 
P0 x 8 \varnothing 5 	P9 x 4 \varnothing 8 	R3 x 6 
W x 6 	Z x 1 	



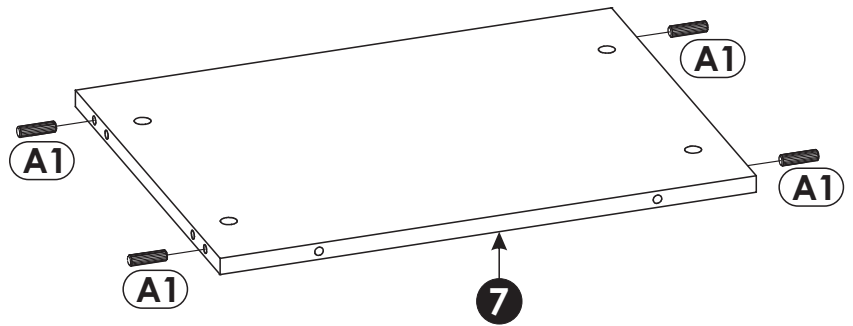
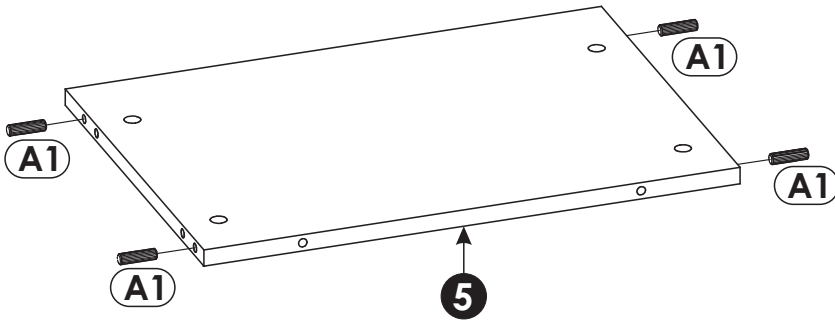
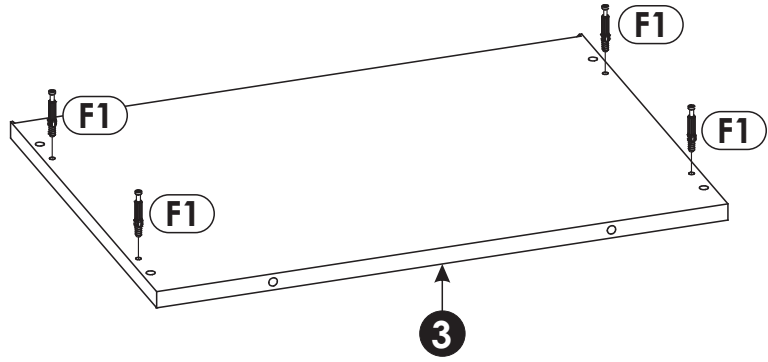


1	1944	380	16 x1	2/2
2	1944	380	16 x1	2/2
3	540	380	16 x1	1/2
4	506	335	6 x2	1/2
5	507	359	16 x1	1/2
6	507	360	16 x1	1/2
7	507	376	16 x1	1/2
8	540	60	19 x2	1/2
9	507	60	16 x1	1/2
10	538	90	16 x1	1/2
11	1049	502	4 x1	2/2
12	538	110	16 x1	1/2
13	538	630	16 x1	1/2
14	1910	529	3 x1	2/2

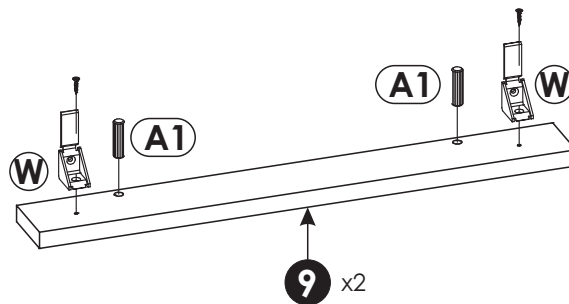
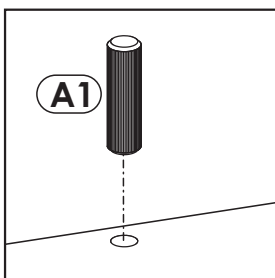
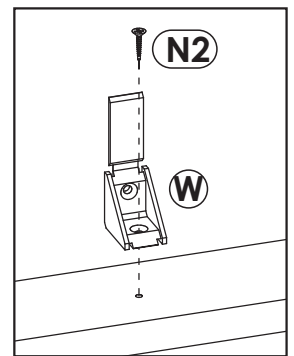
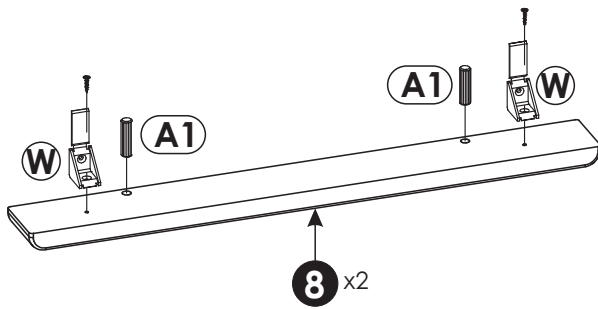




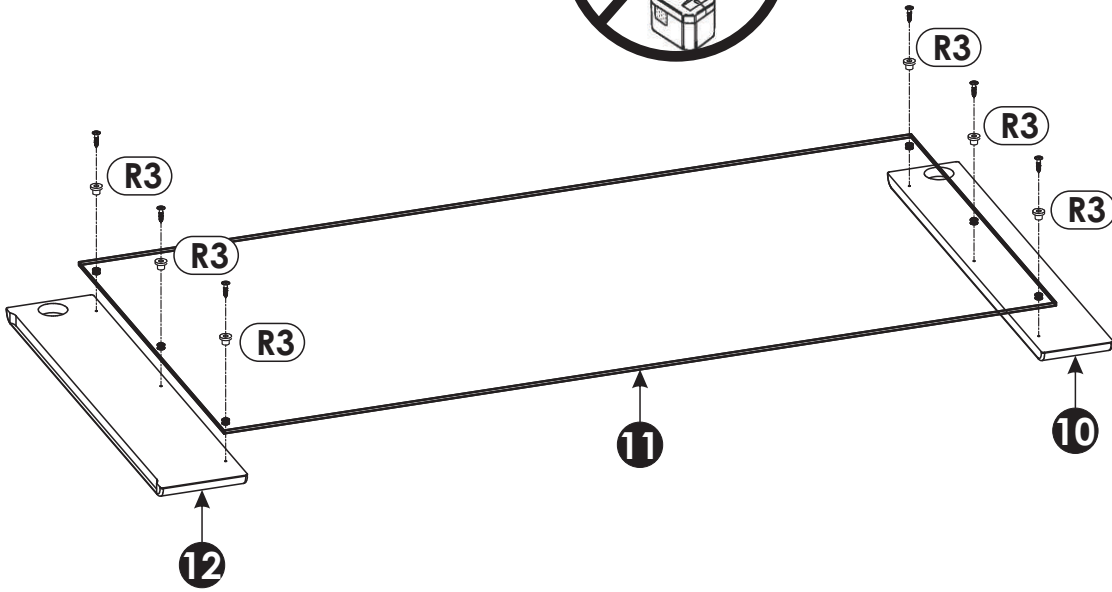
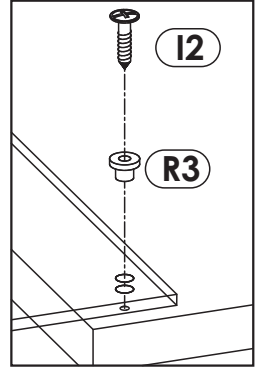
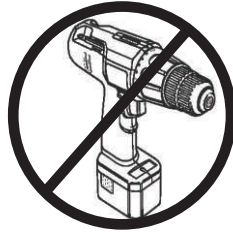
2 ▶



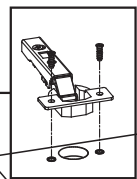
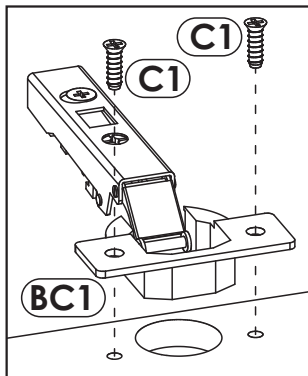
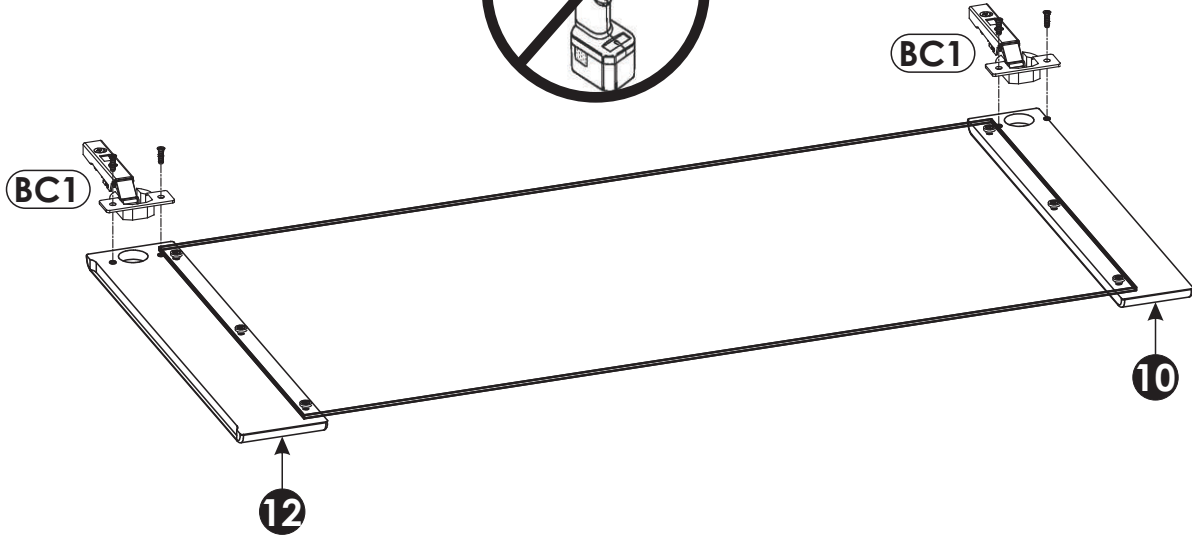
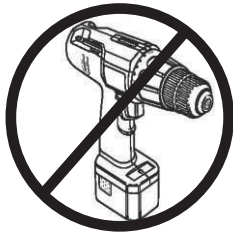
3 ▶



4 ▶

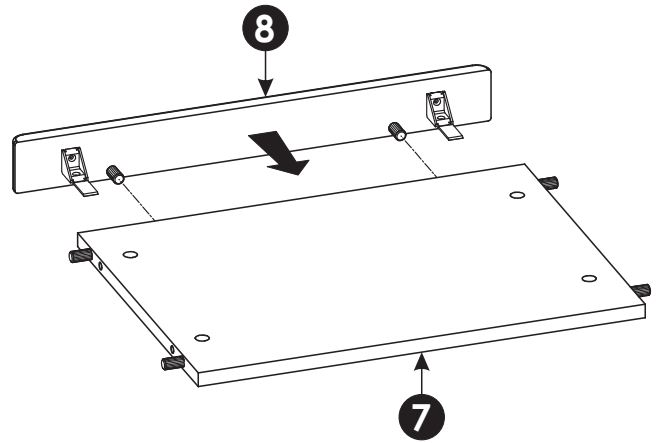
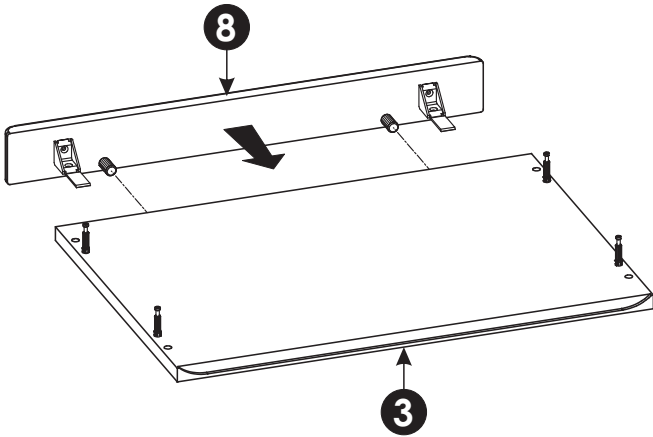
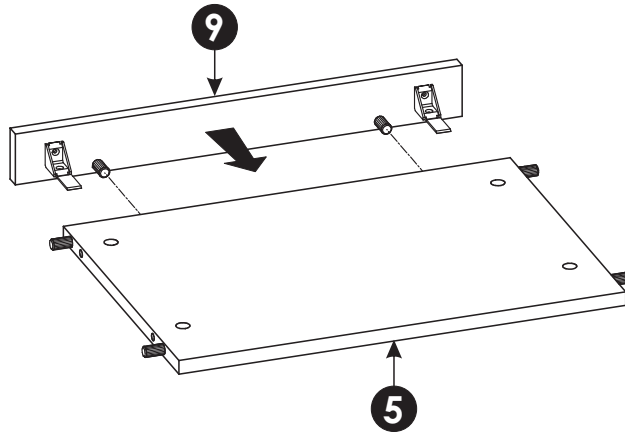


5 ▶

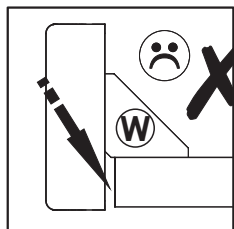
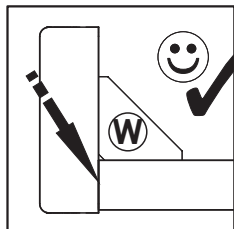
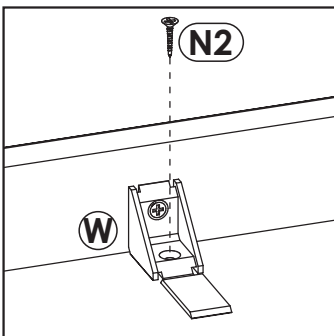
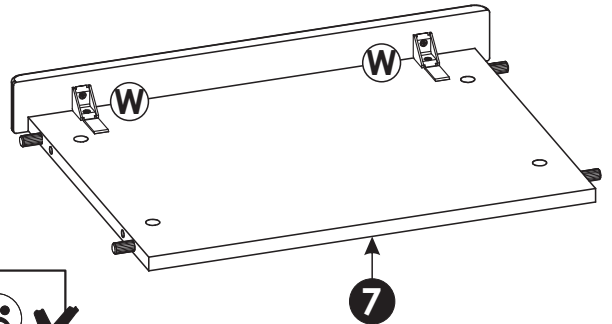
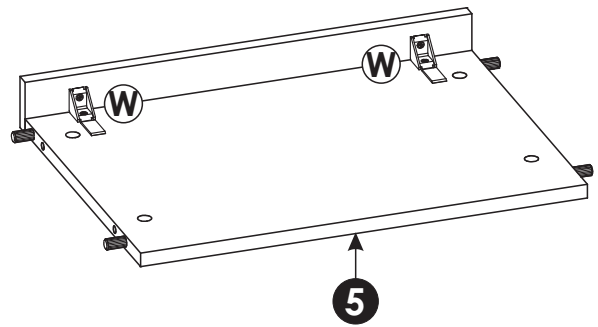
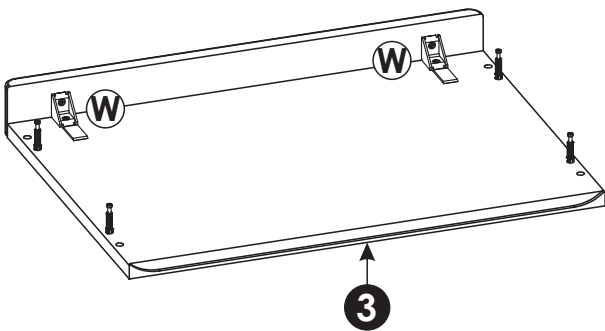


13

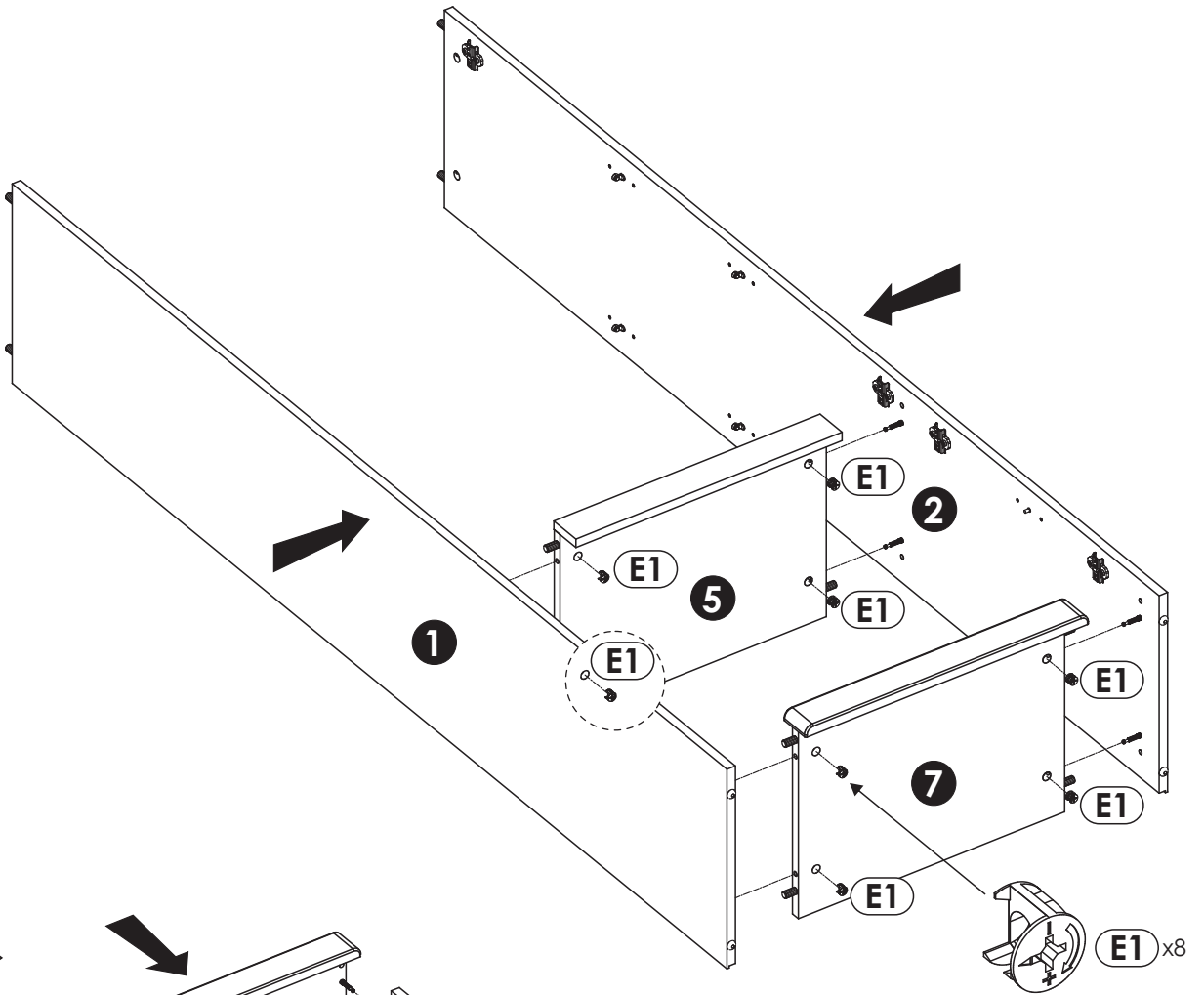
6 ▶



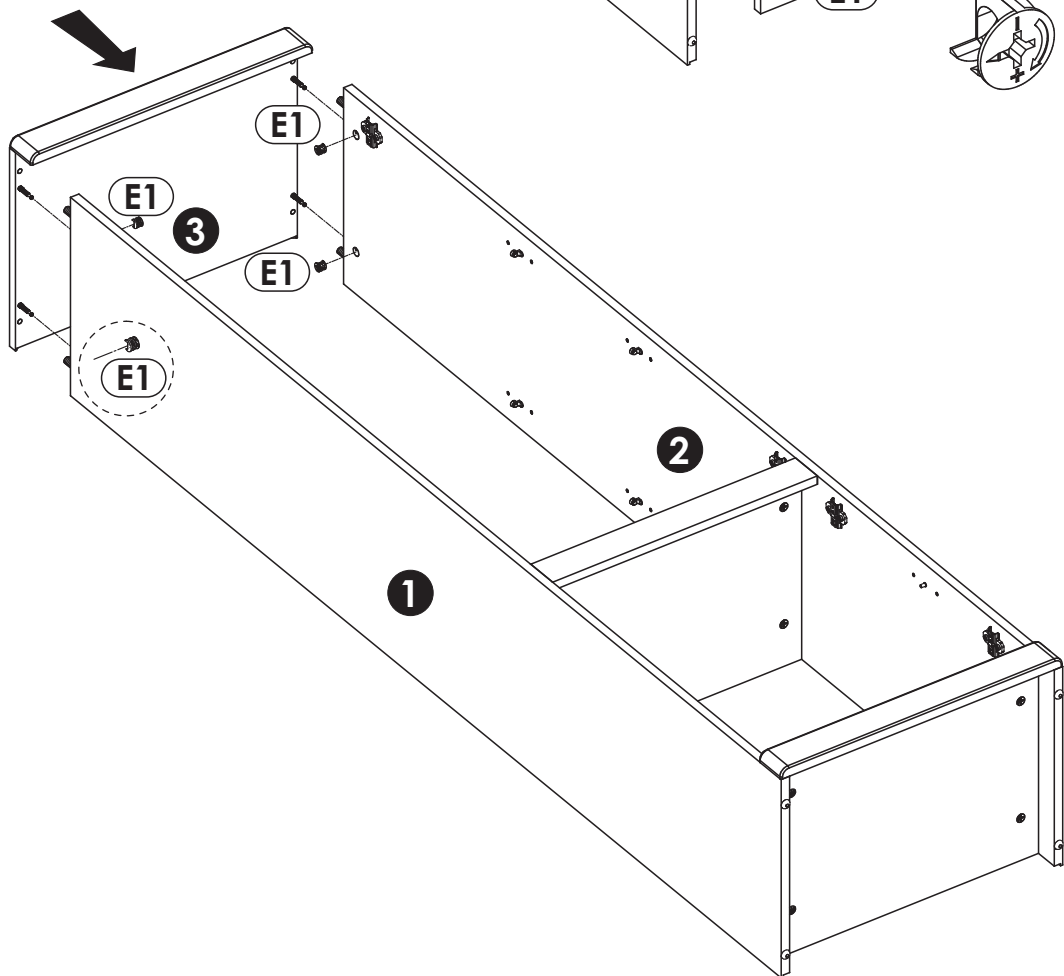
7 ▶



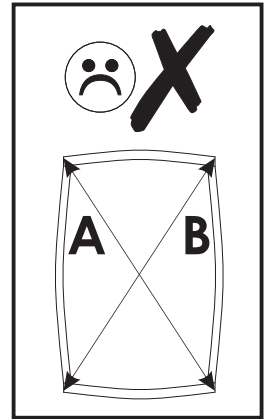
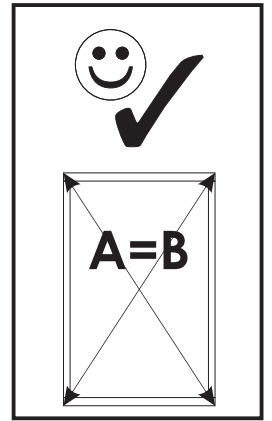
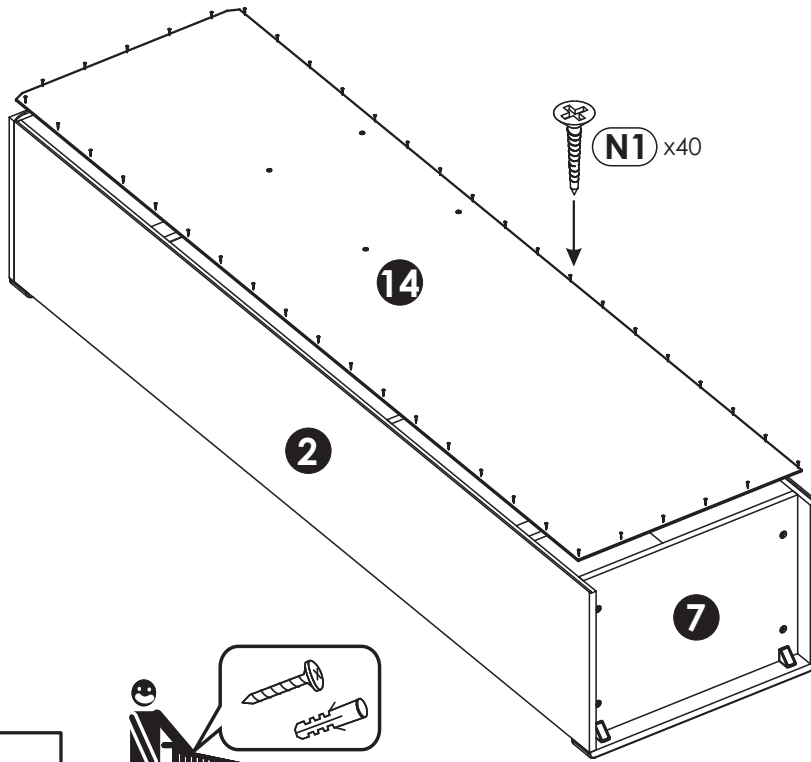
8 ▶



9 ▶



10 ▶



11 ▶

