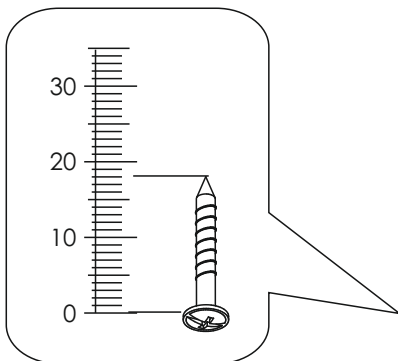
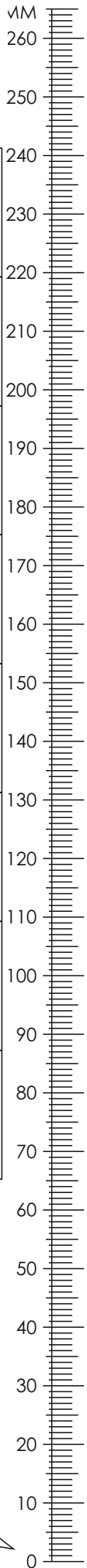
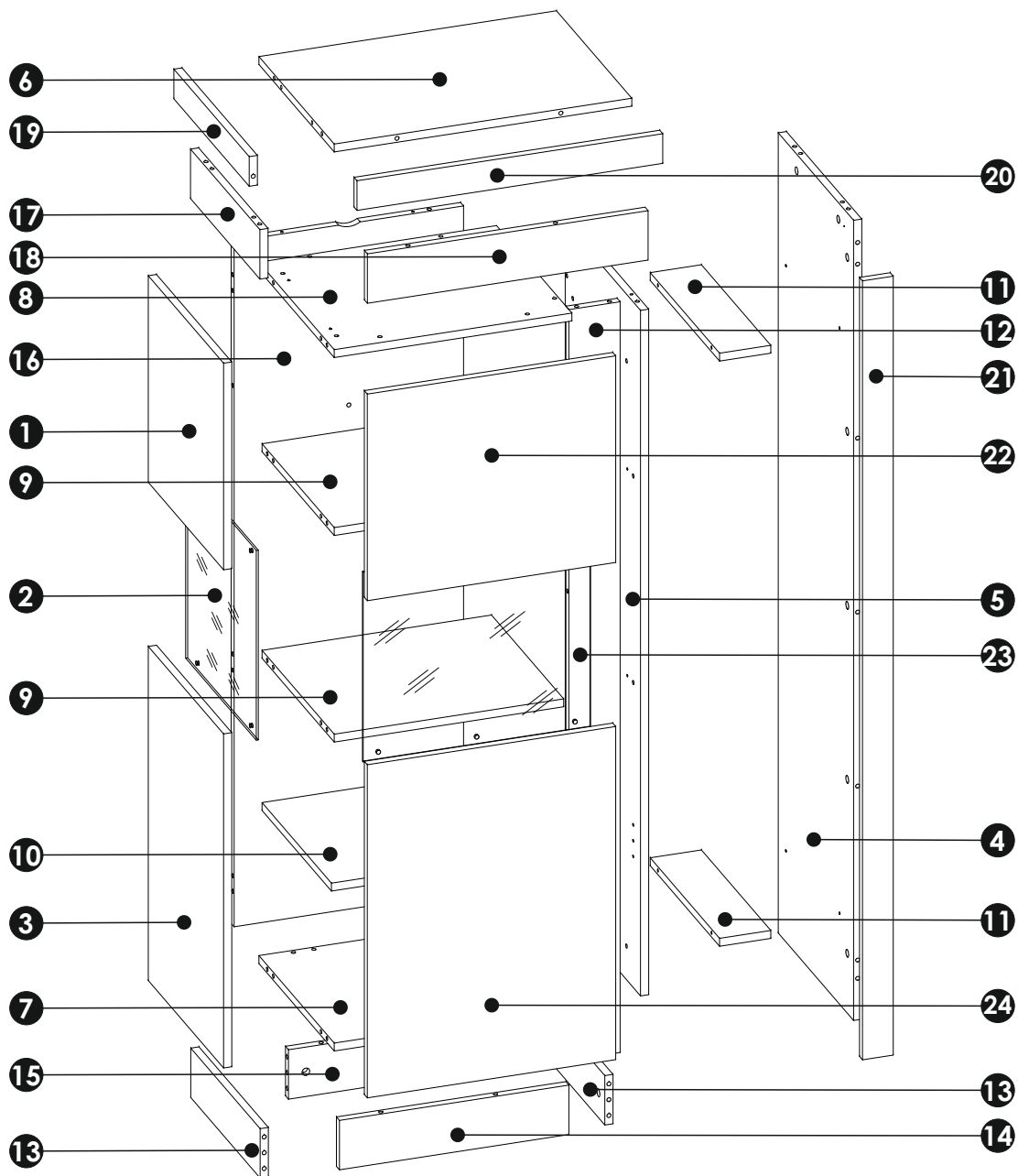
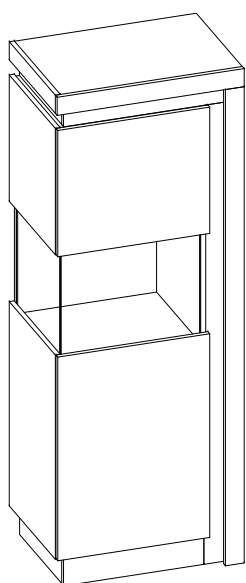


A1	8 x 35 mm	x52	A2	8 x 45 mm	x2	B0		x3
BC11		x3	C1	4 x 13 mm	x6	D2		x4
E0		x38	E1	15 x 12 mm	x50	F1	6 x 34 mm	x46
F3	7 x 58 mm	x2	G0		x16	G1	7 x 50 mm	x16
I2	4 x 16 mm	x11	L		x1			
M		x1	N2	3,5 X 16 mm	x12	O2		x6
P0	ø8	x1	Q9		x1	R3		x10
S13		x1	W		x6	Z		x1





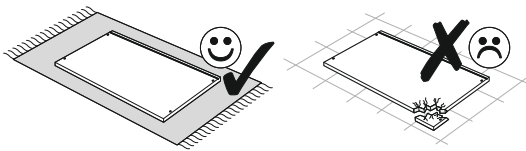
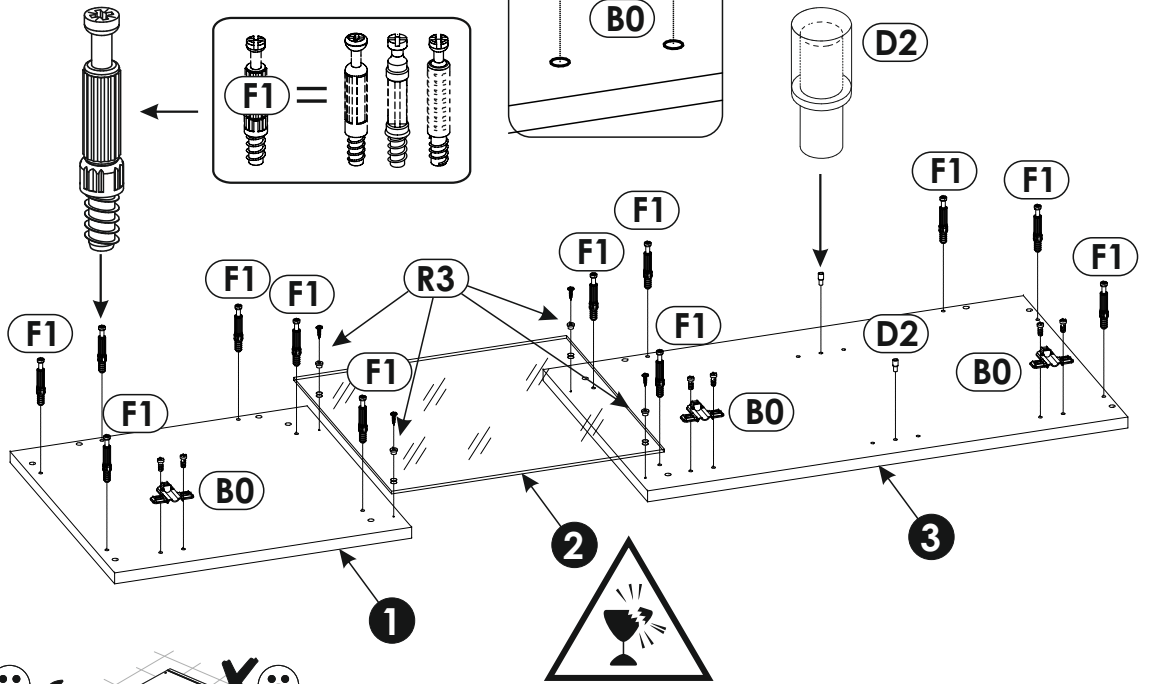
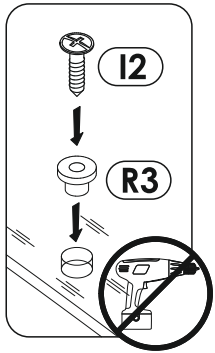
1	418	404	16	x1	1/2
2	379	384	4	x1	1/2
3	676	404	16	x1	1/2
4	1619	404	16	x1	2/2
5	1387	404	16	x1	2/2
6	581	404	16	x1	1/2
7	464	404	16	x1	1/2
8	464	404	16	x1	1/2

9	448	387	16	x2	1/2
10	448	369	16	x1	1/2
11	372	100	16	x2	2/2
12	1519	100	16	x1	2/2
13	372	100	16	x2	2/2
14	448	100	16	x1	2/2
15	357	100	16	x1	1/2
16	1387	448	16	x1	2/2

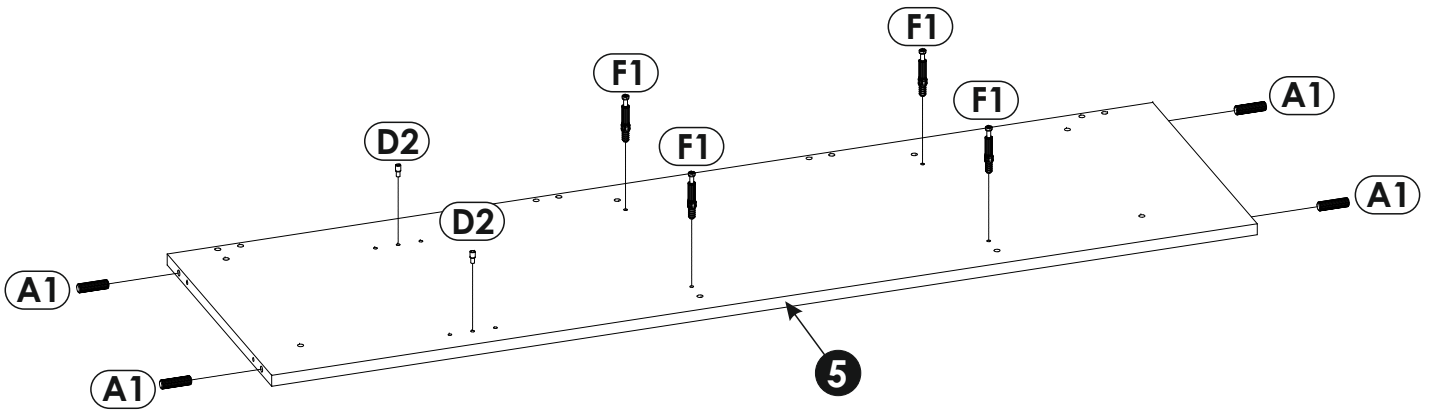
17	372	100	16	x1	1/2
18	548	100	16	x1	2/2
19	404	60	16	x1	1/2
20	597	60	16	x1	2/2
21	1576	60	16	x1	2/2
22	485	418	16	x1	1/2
23	444	384	4	x1	1/2
24	485	674	16	x1	1/2



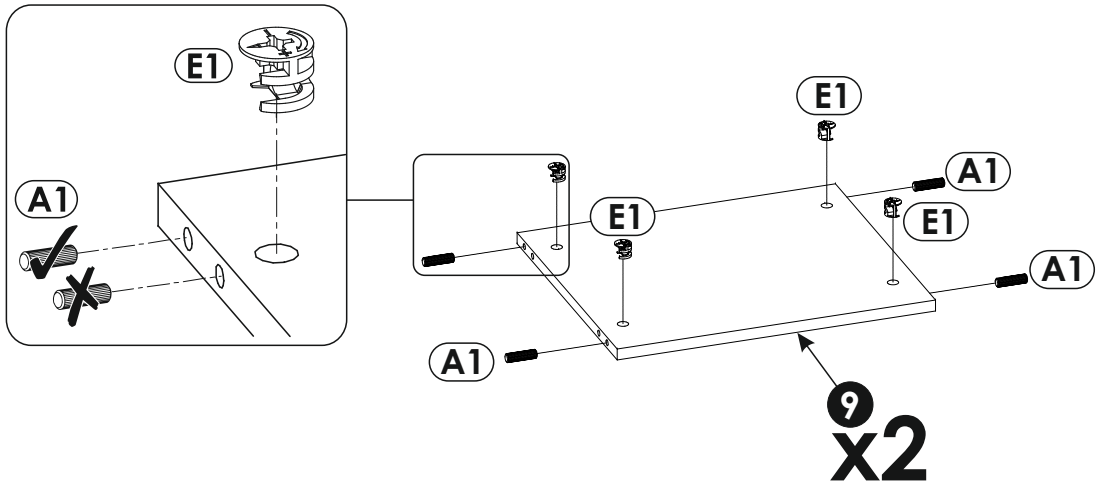
1 ▶



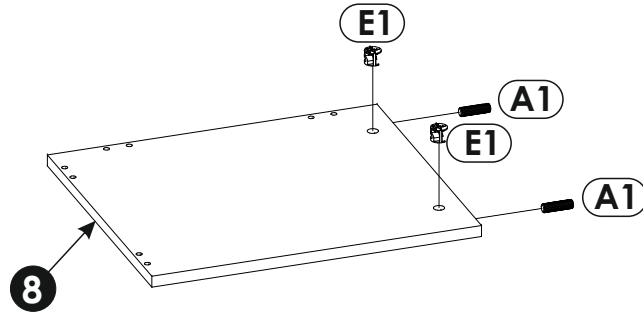
2 ▶



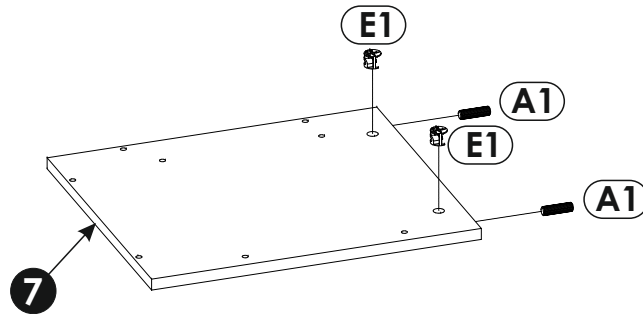
3 ▶



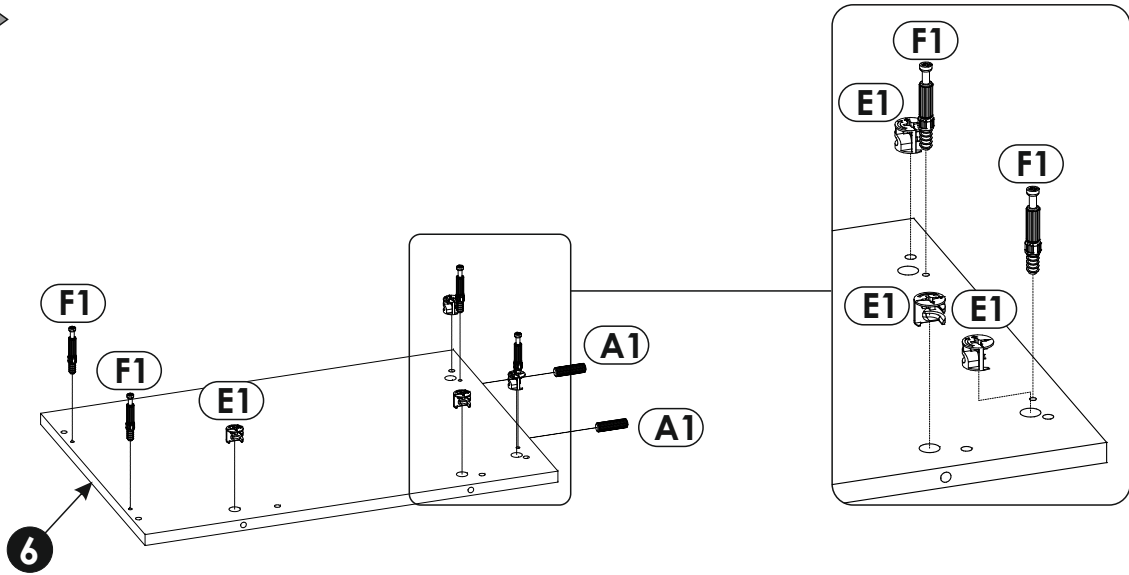
4 ▶



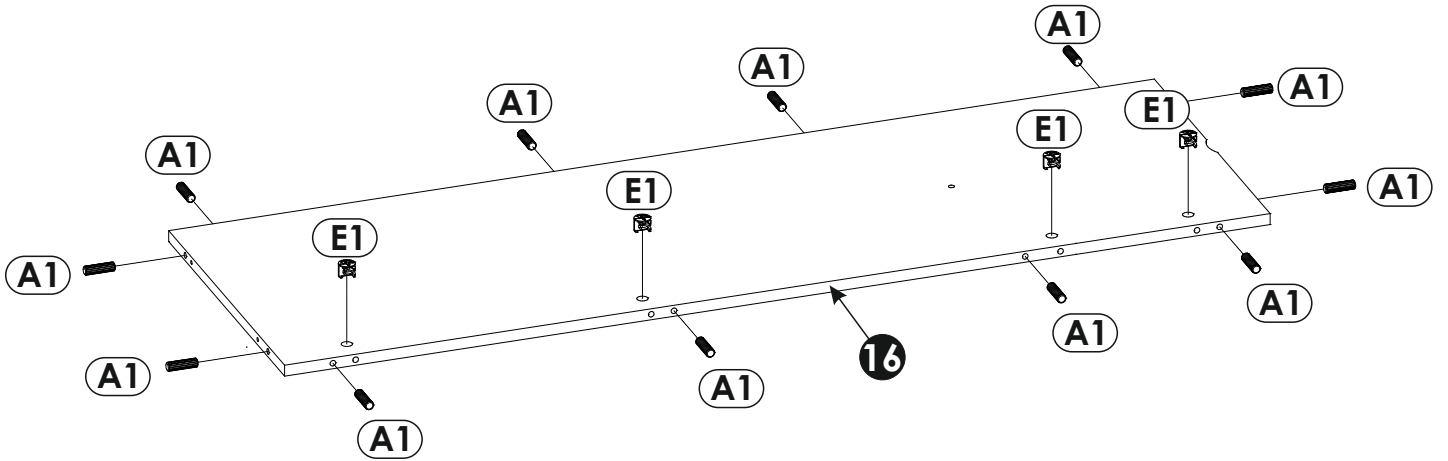
5 ▶



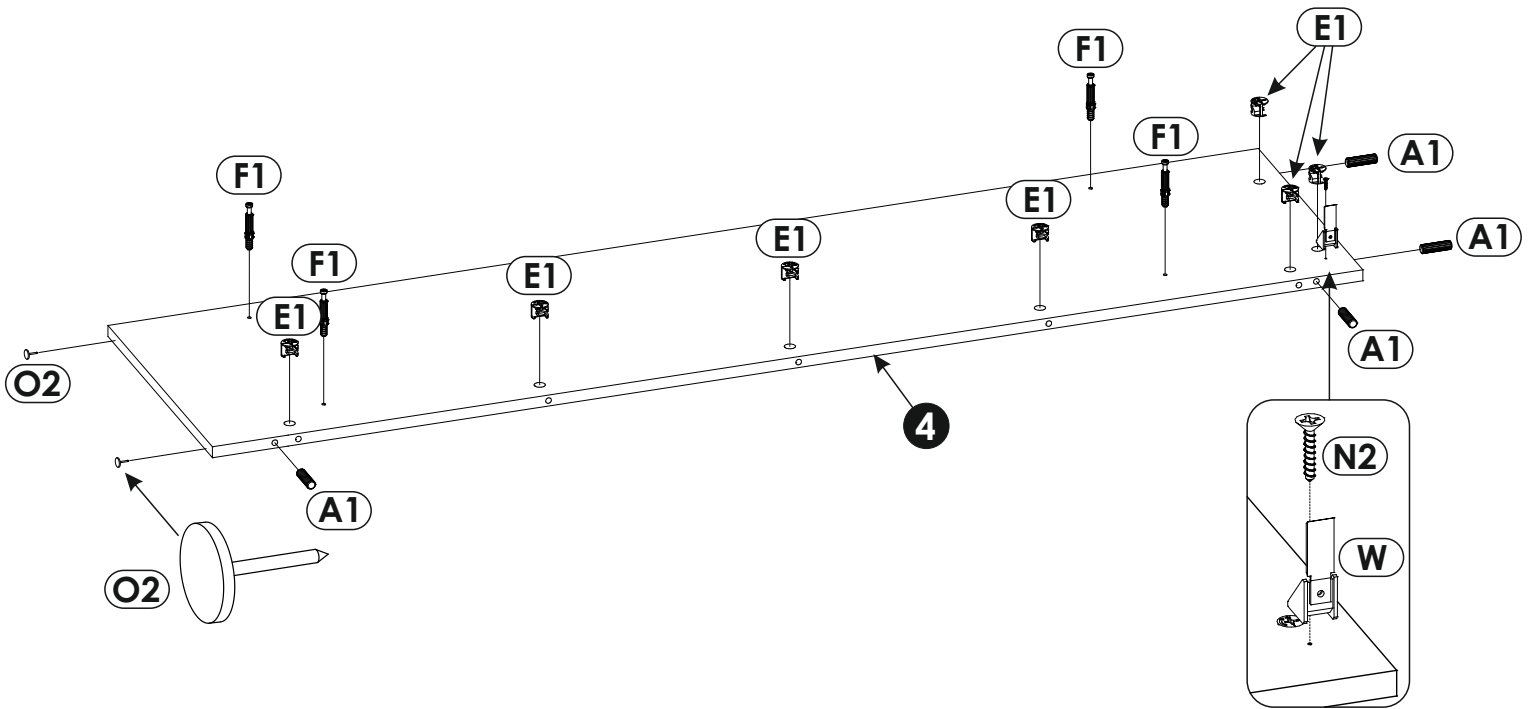
6 ▶



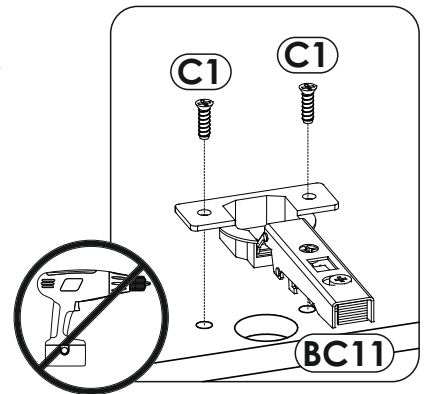
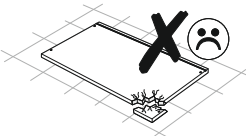
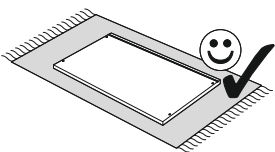
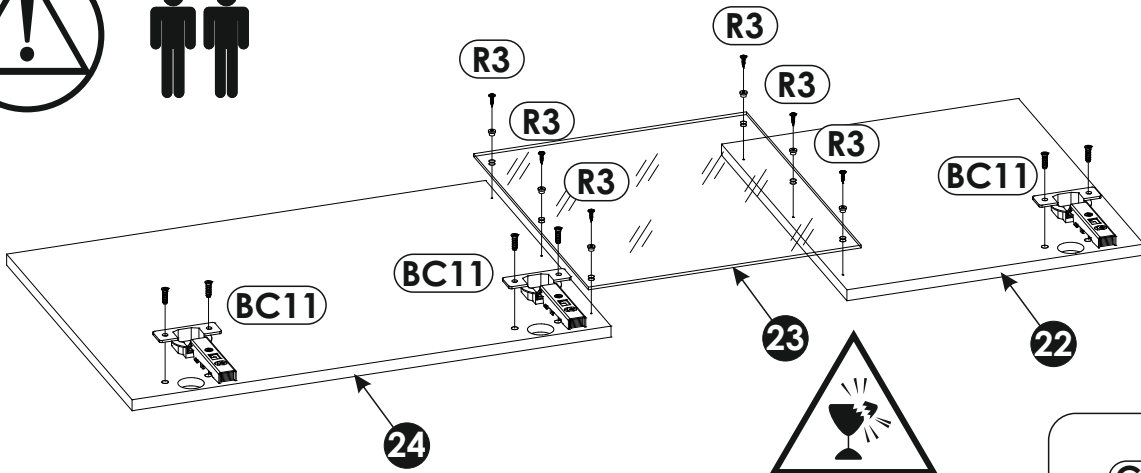
7 ▶



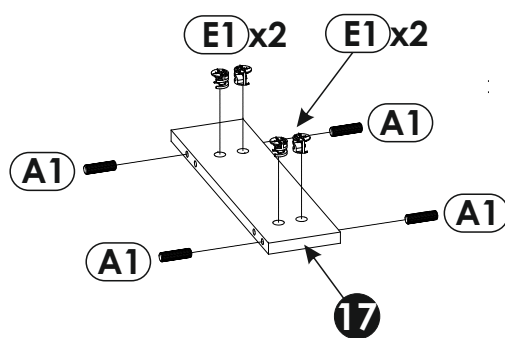
8 ▶



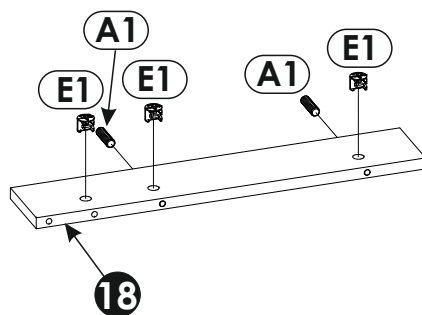
9 ▶



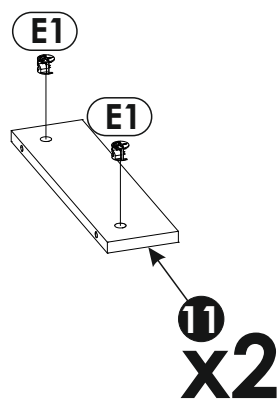
10▶



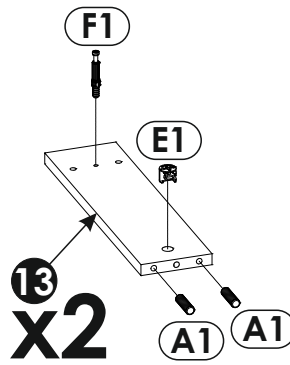
11▶



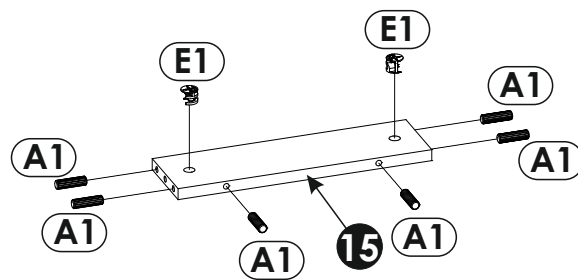
12▶



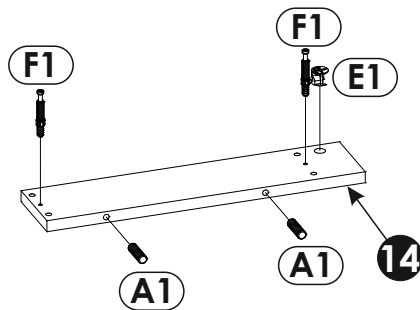
13▶



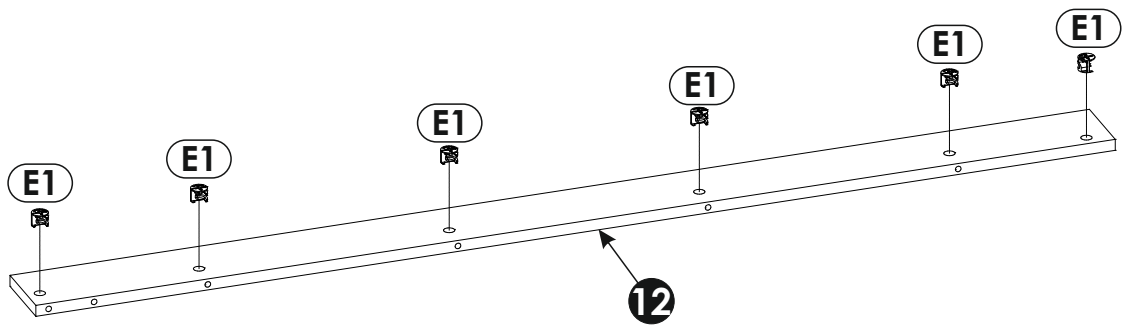
14▶



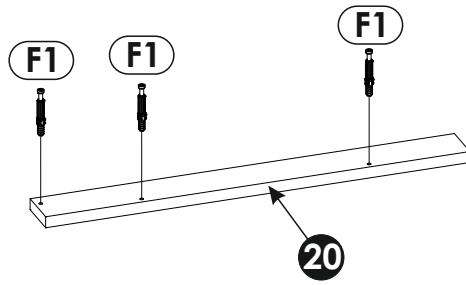
15▶



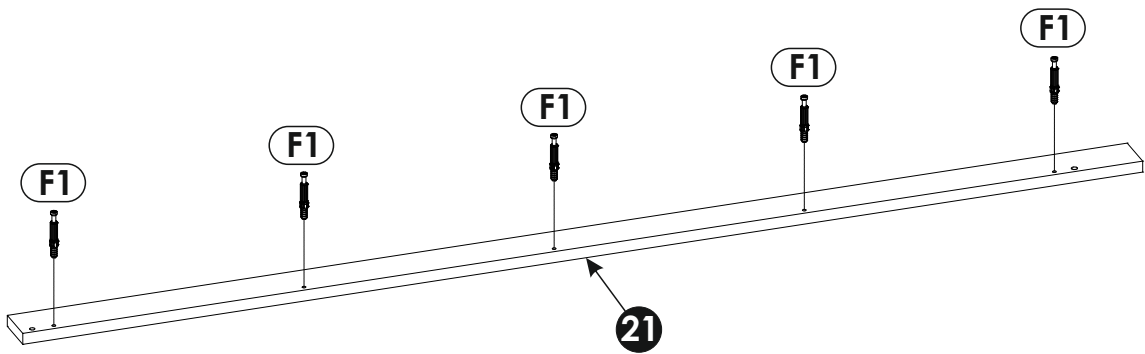
16▶



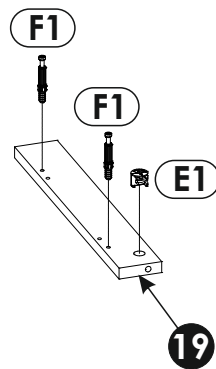
17▶



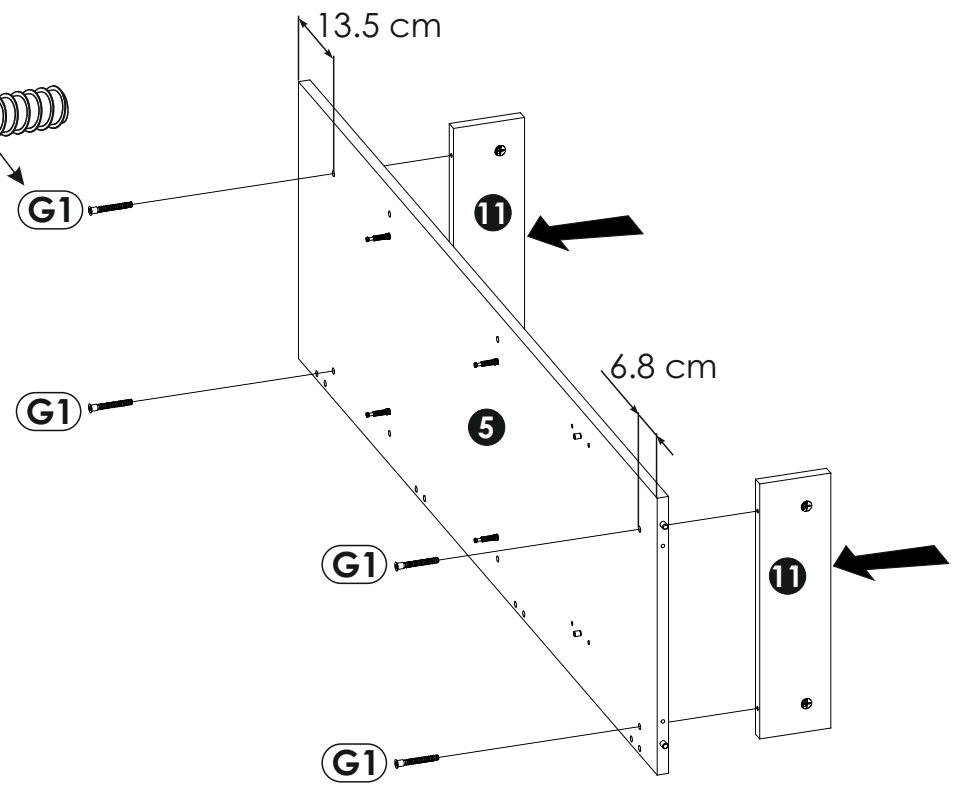
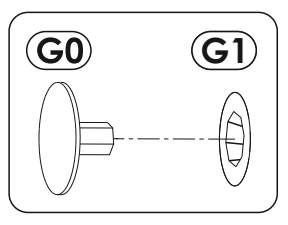
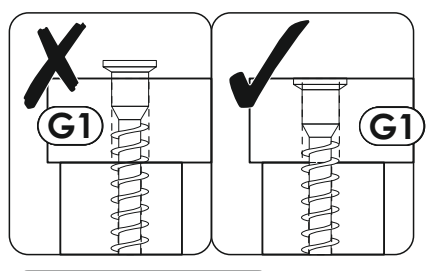
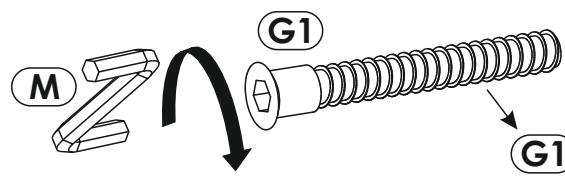
18▶



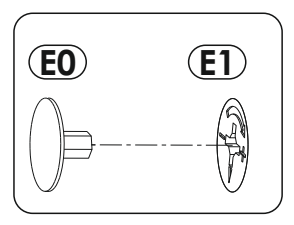
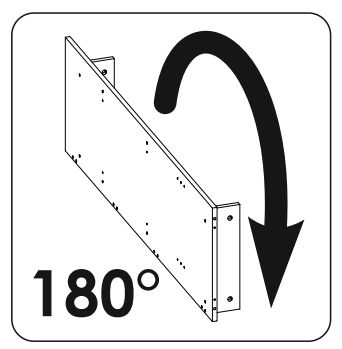
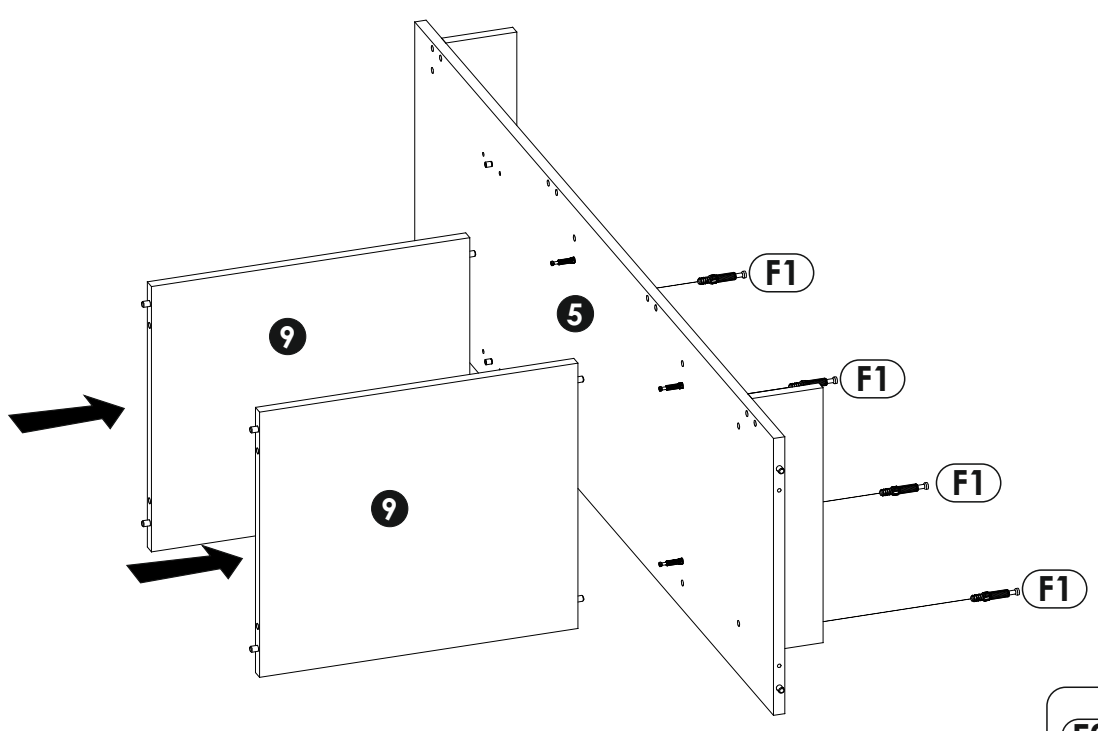
19▶



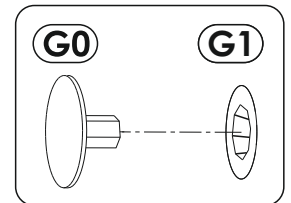
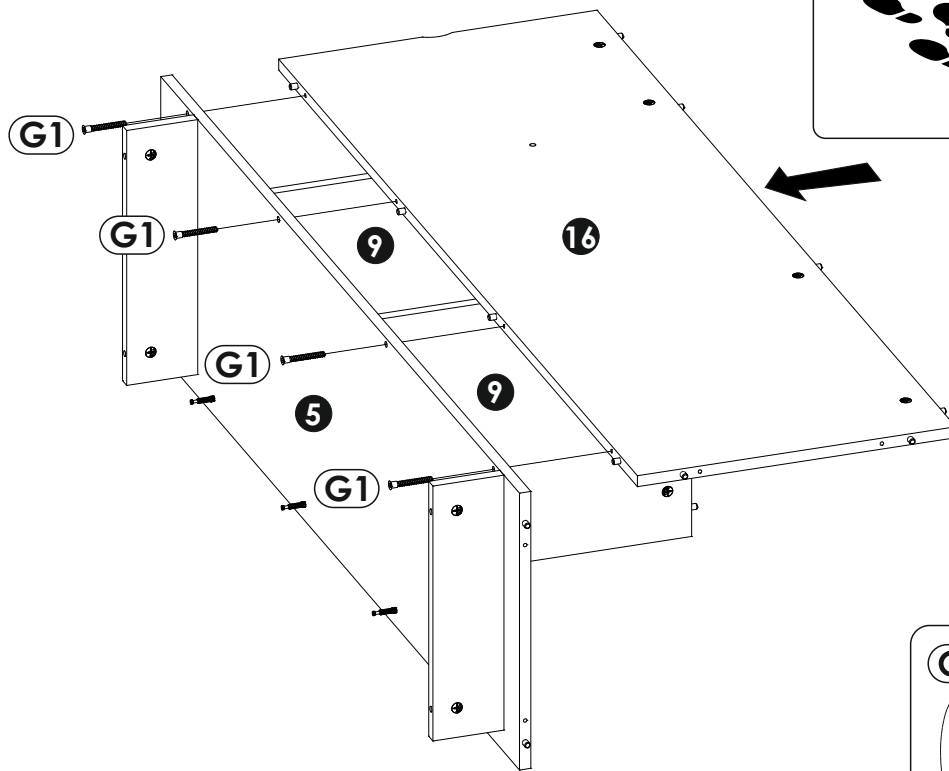
20 ▶



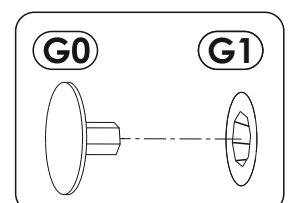
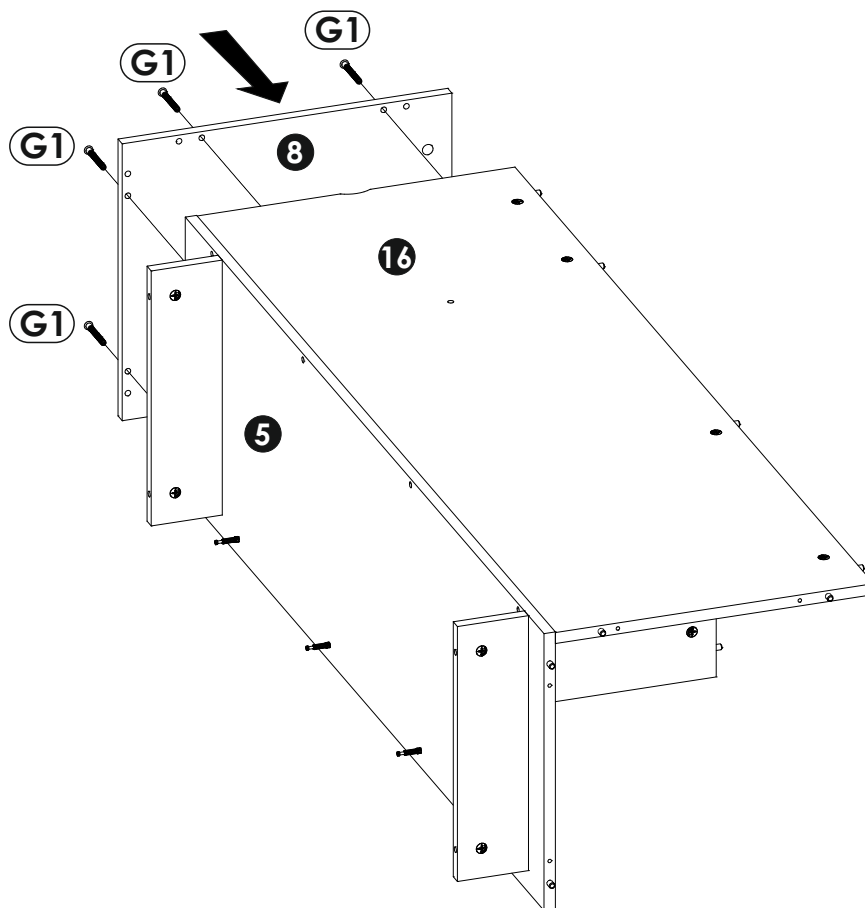
21 ▶



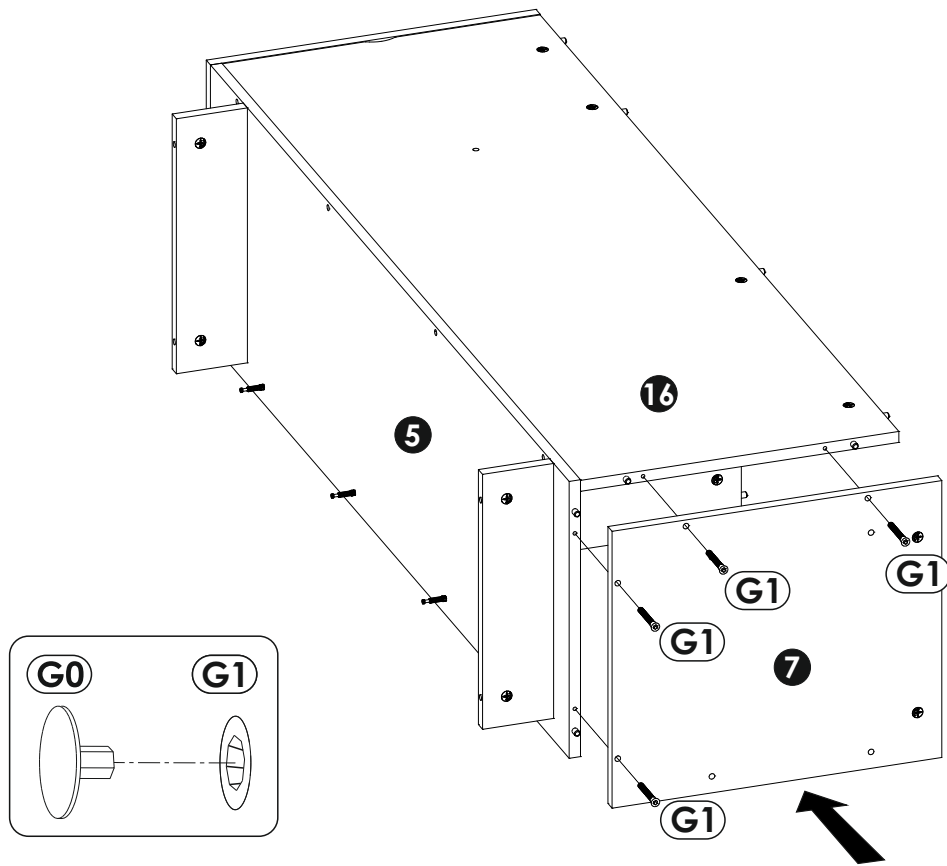
22 ▶



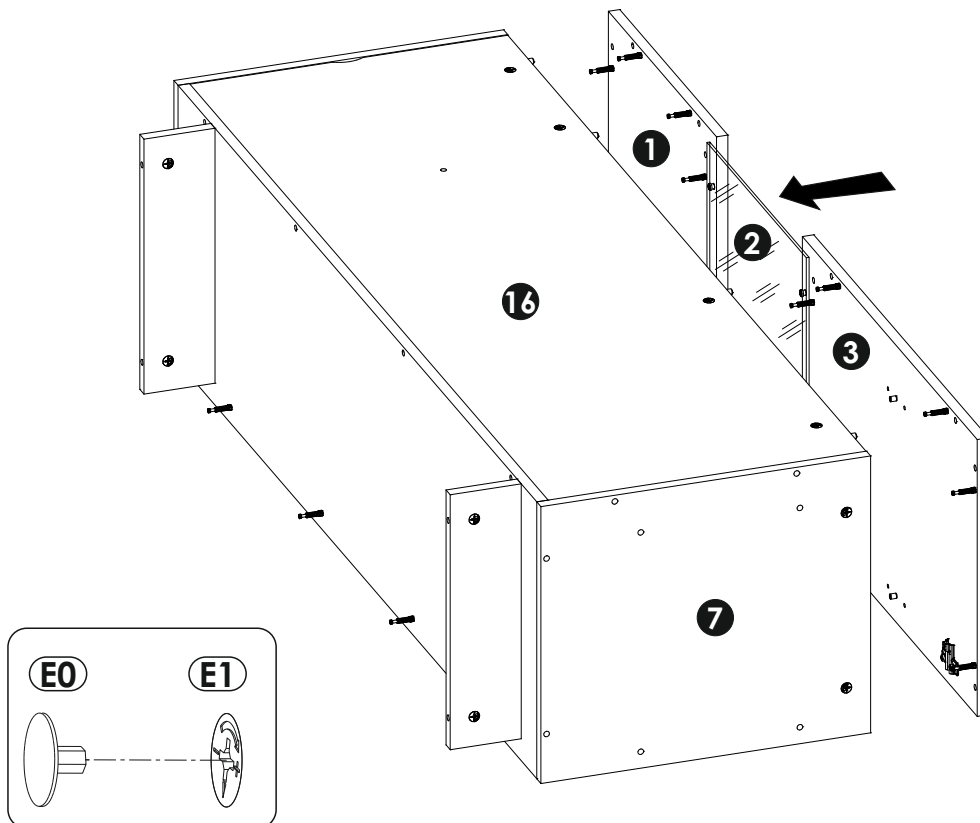
23 ▶



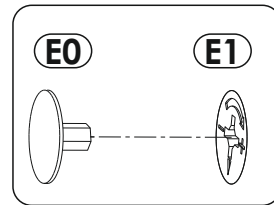
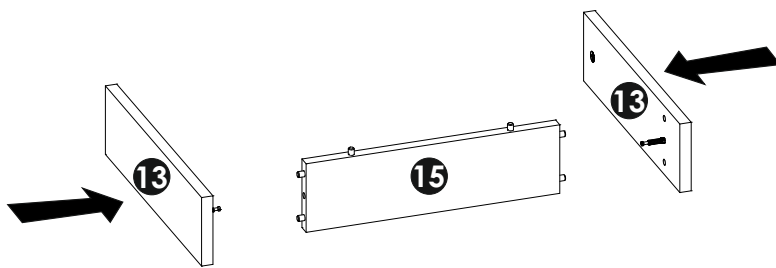
24▶



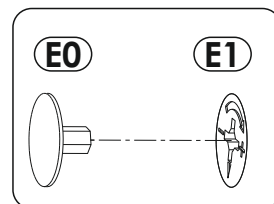
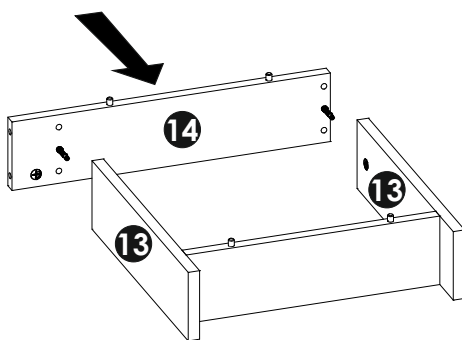
25▶



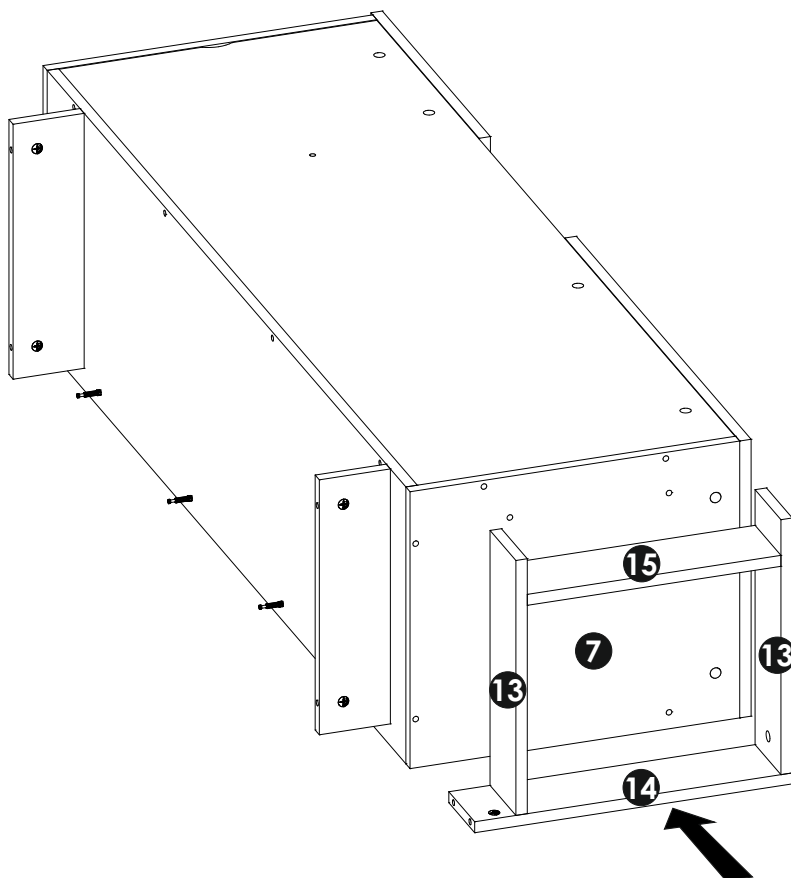
26 ▶

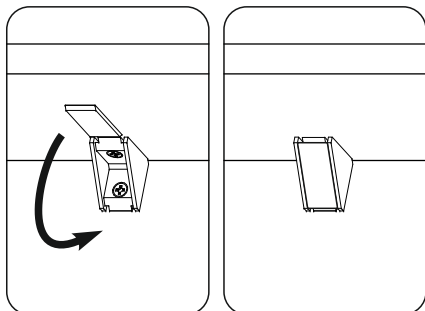
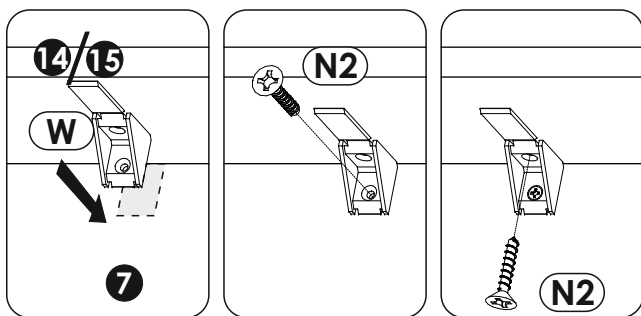
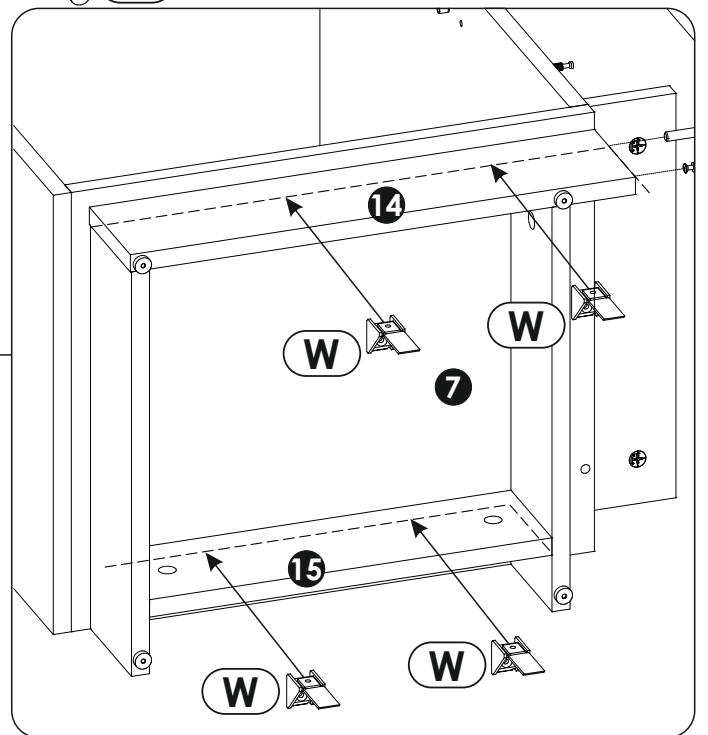
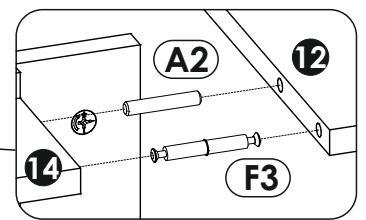
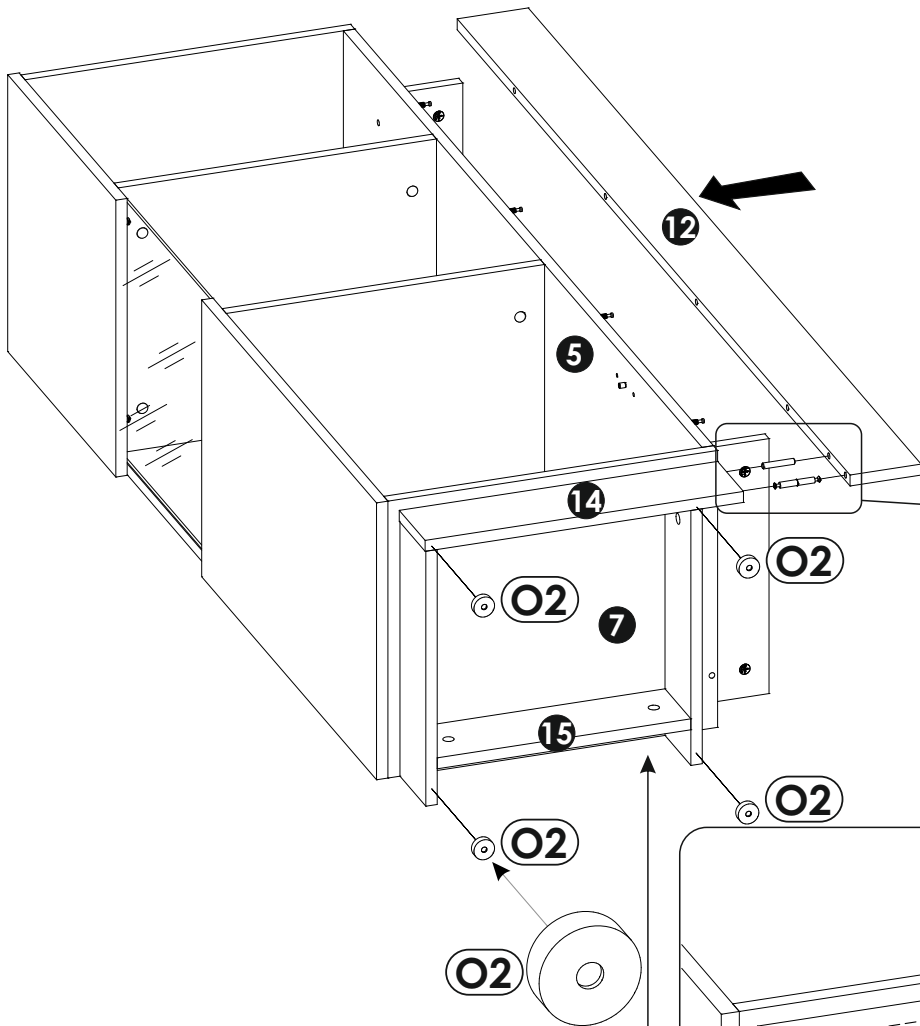
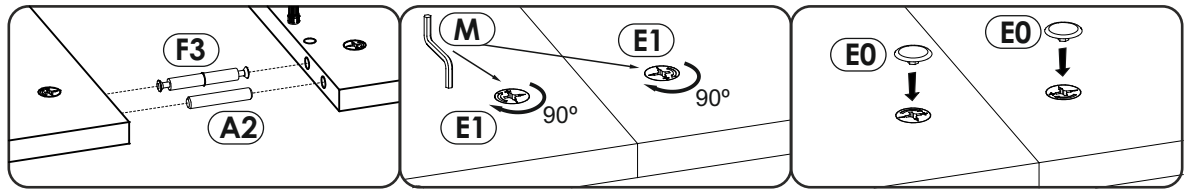


27 ▶

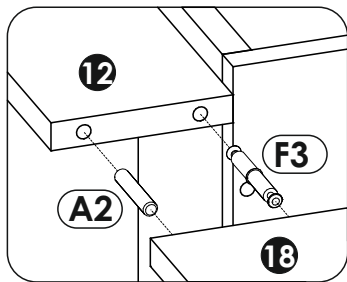
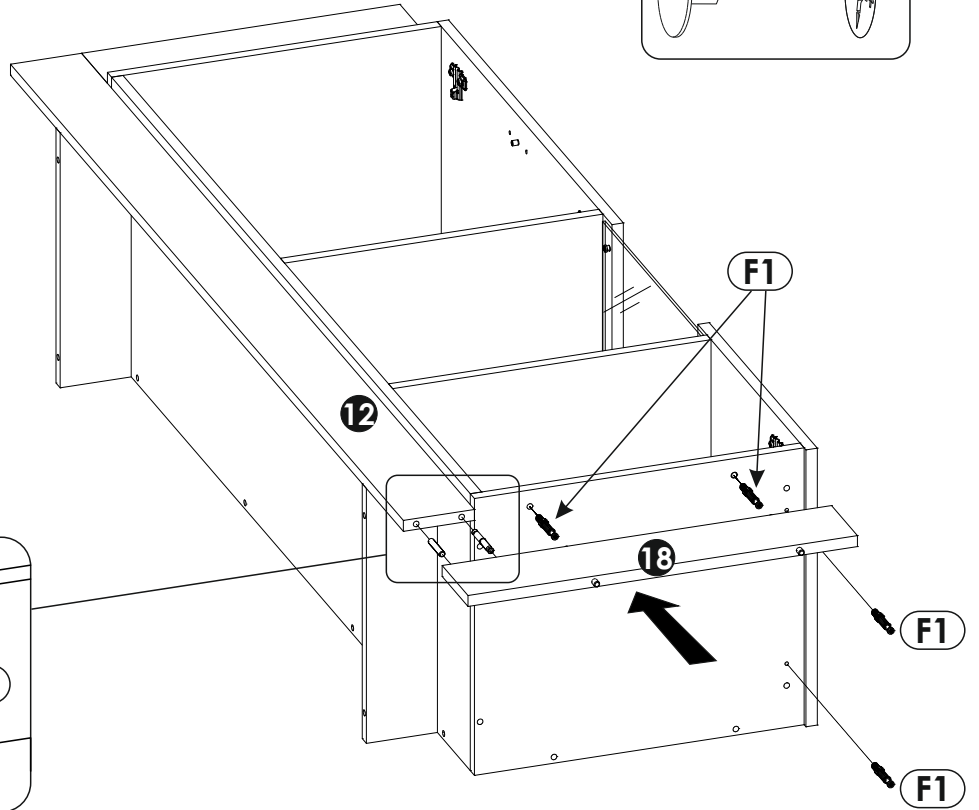
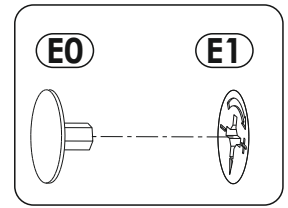
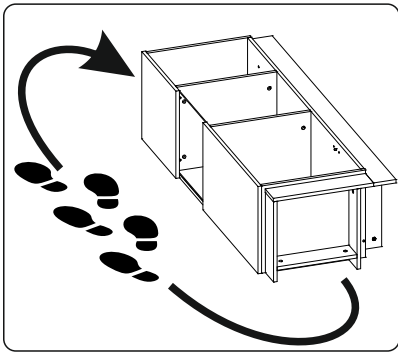


28 ▶

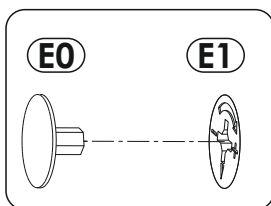
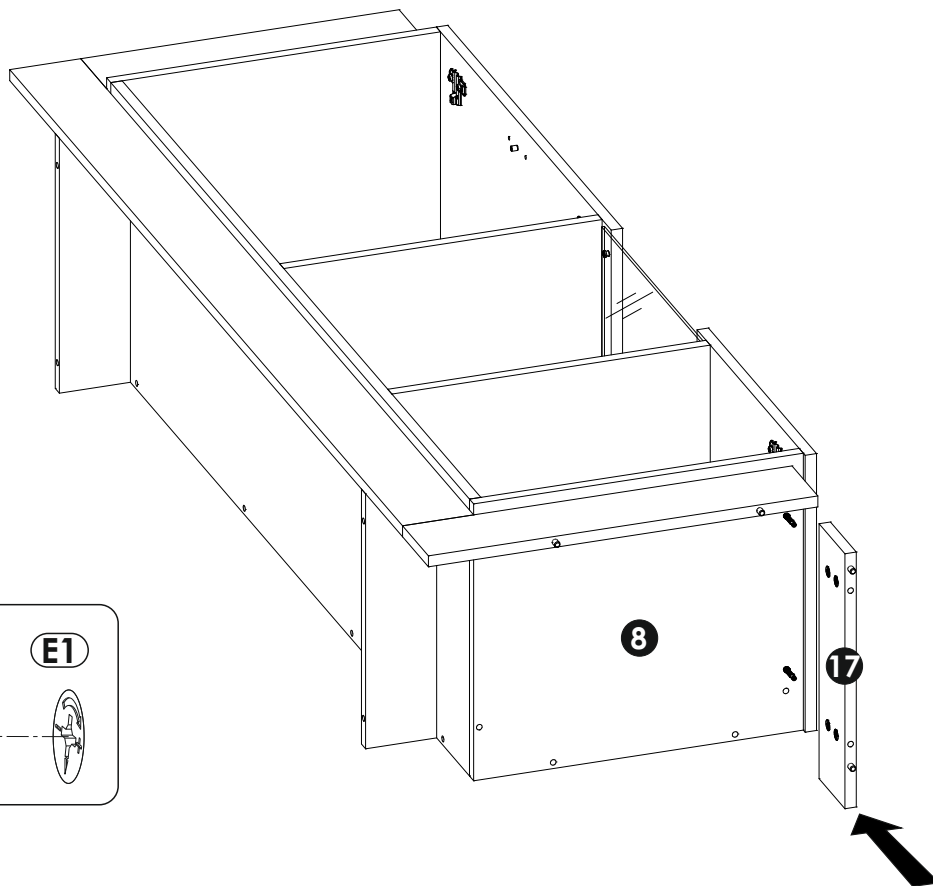




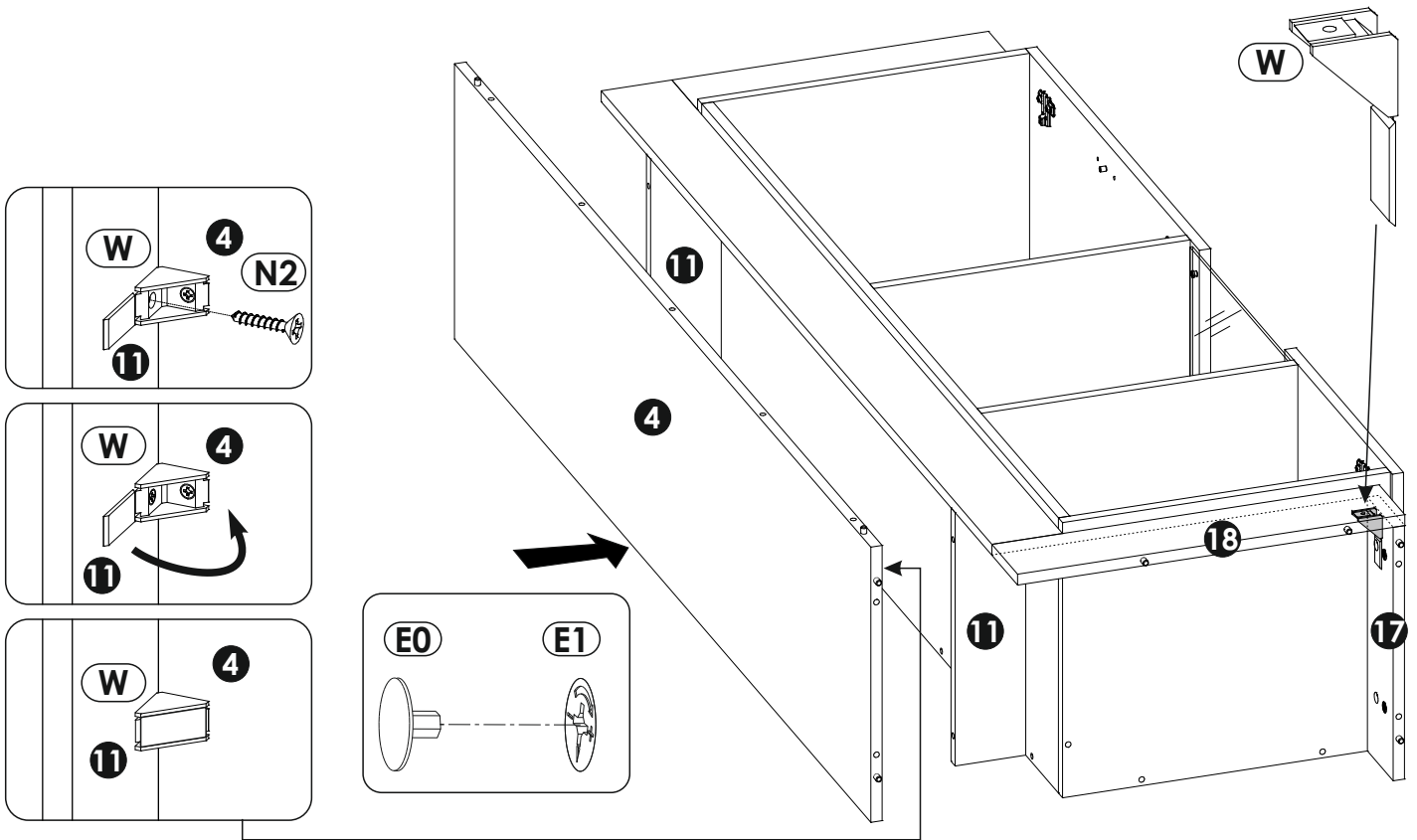
30 ▶



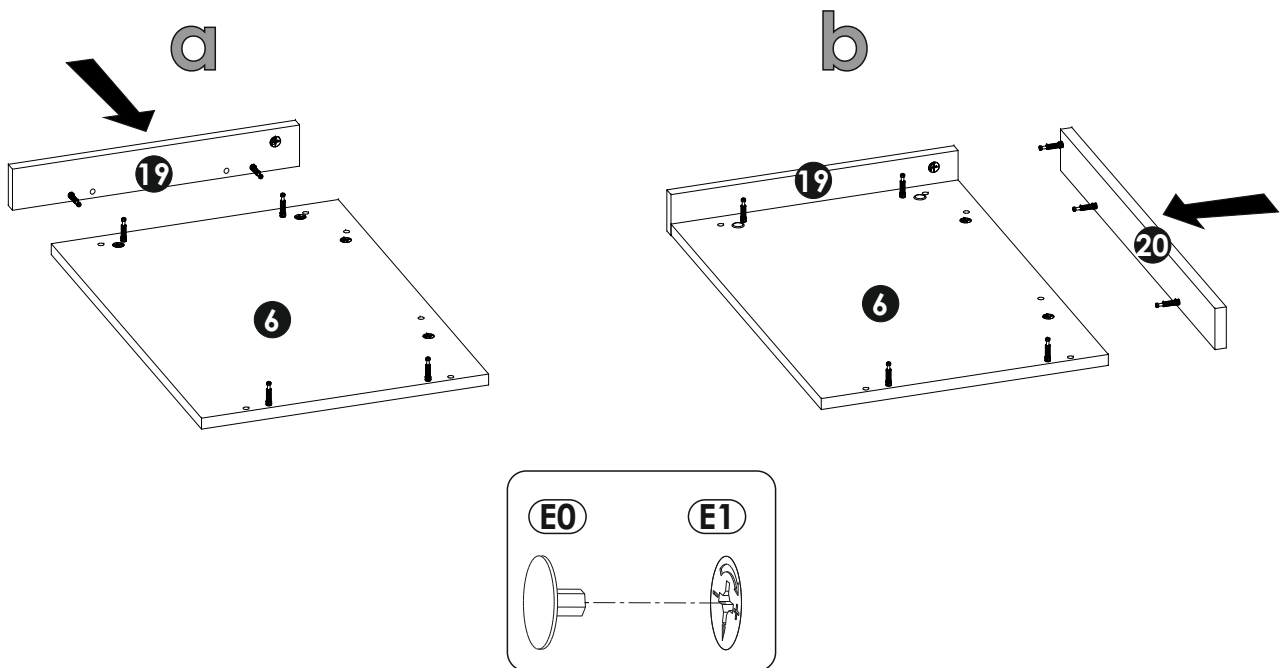
31 ▶



32 ▶

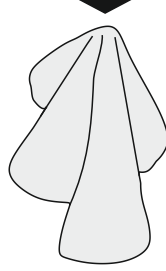
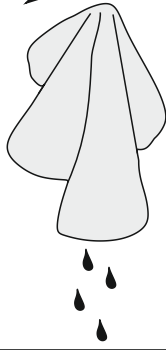


33 ▶

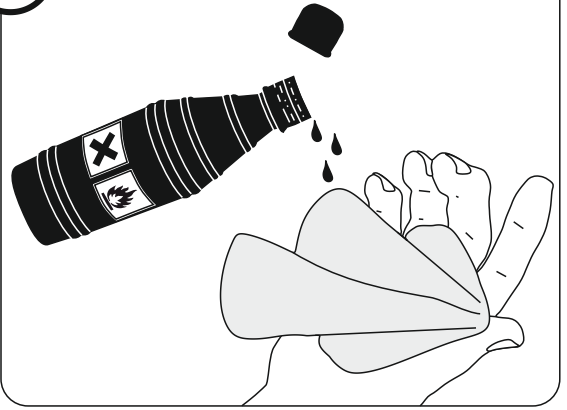


34 ▶

1

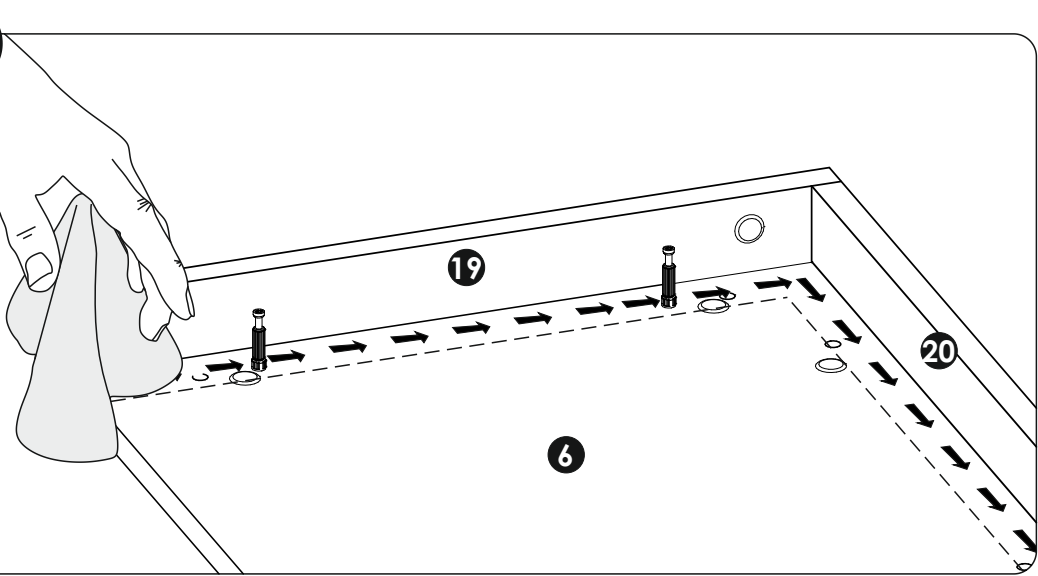
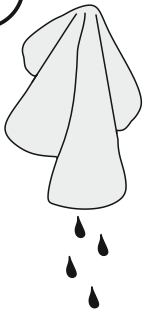


2



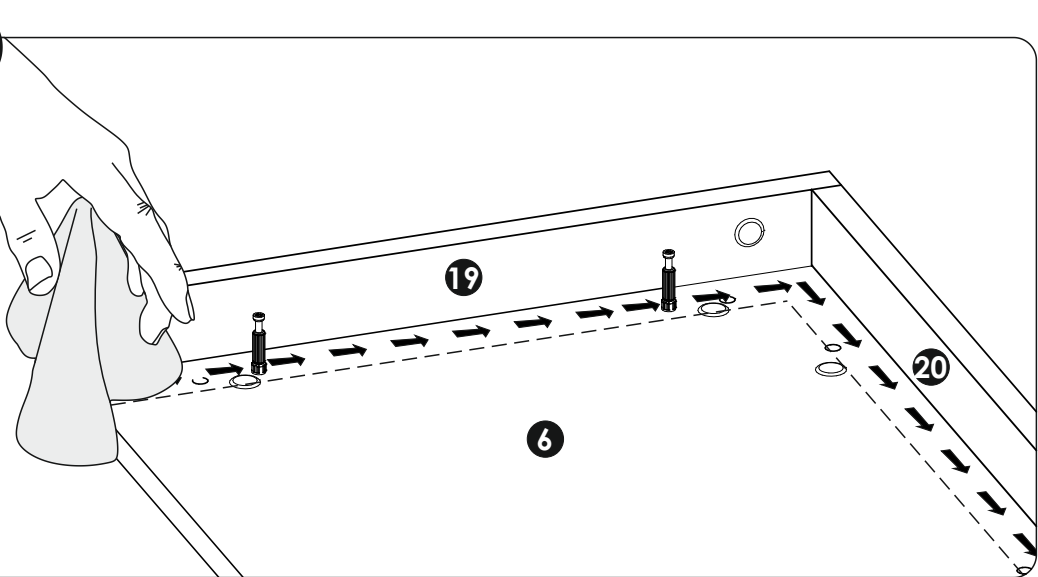
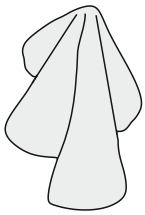
3

!

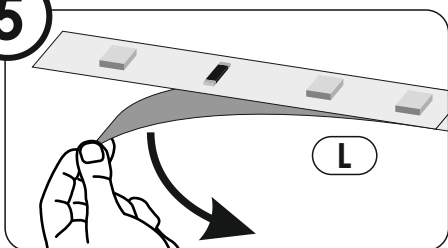


4

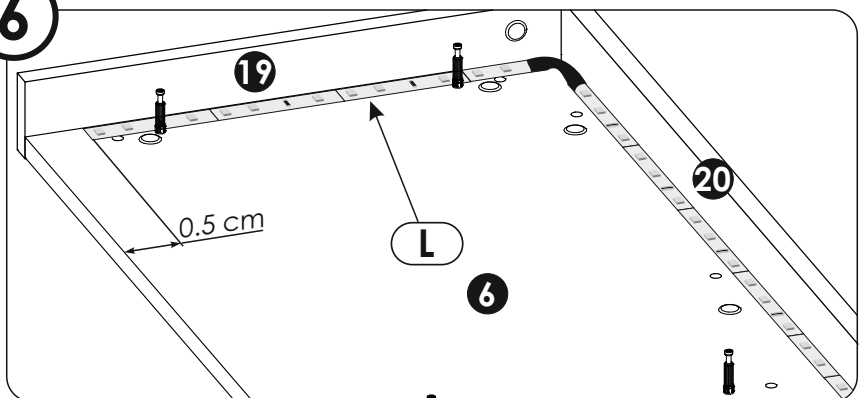
!



5



6



35 ▶

