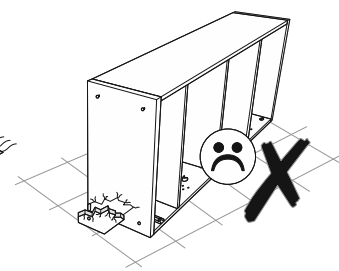
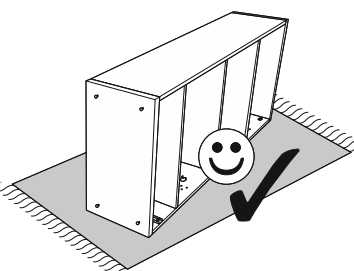
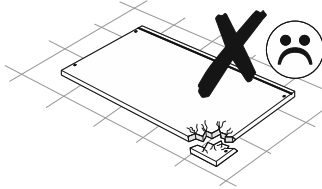
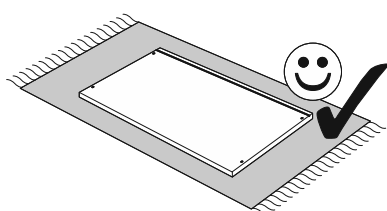
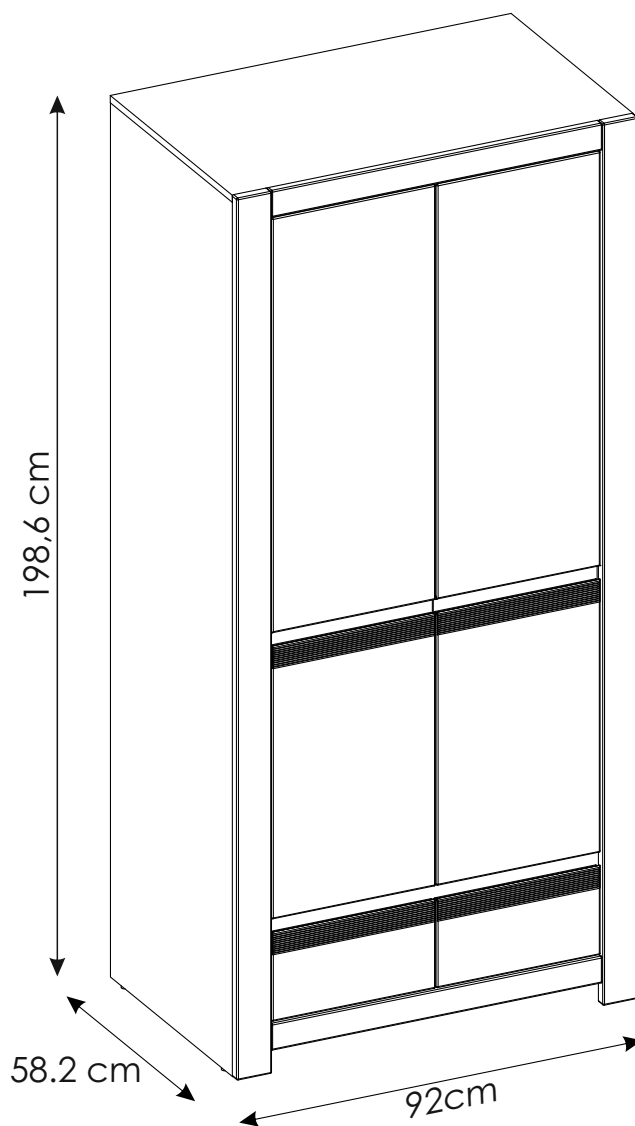
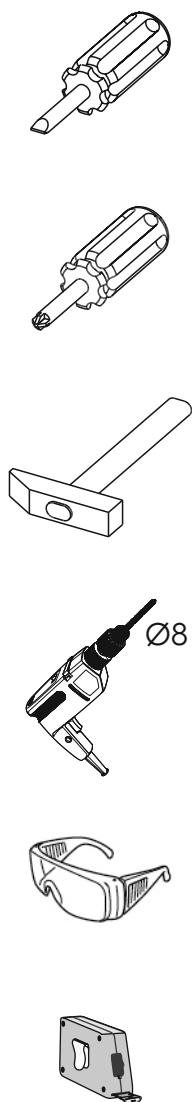
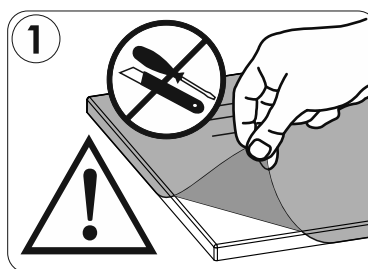
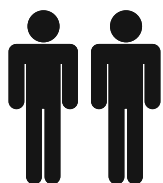
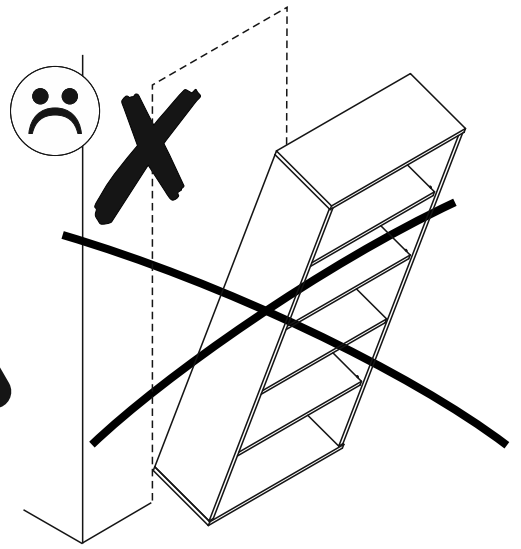
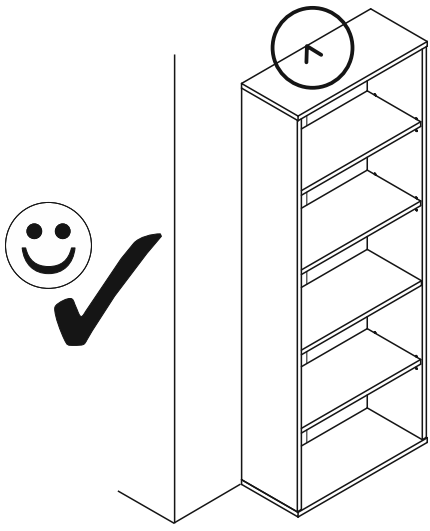
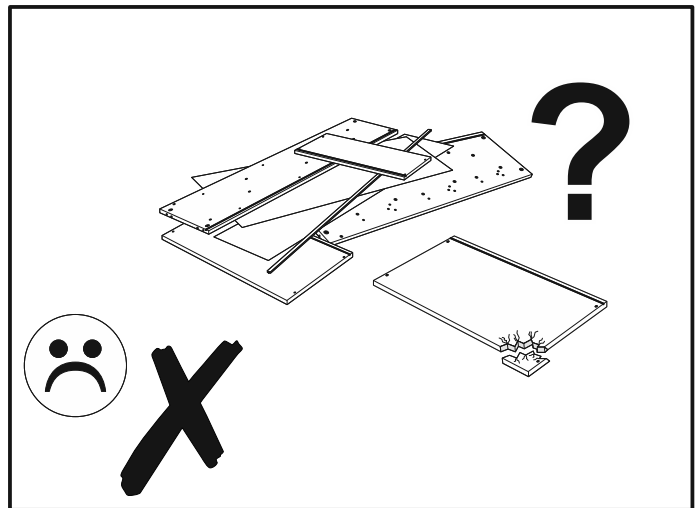
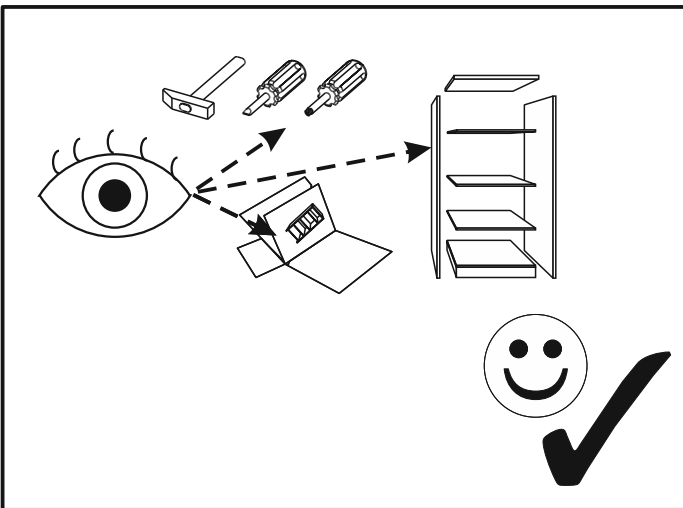
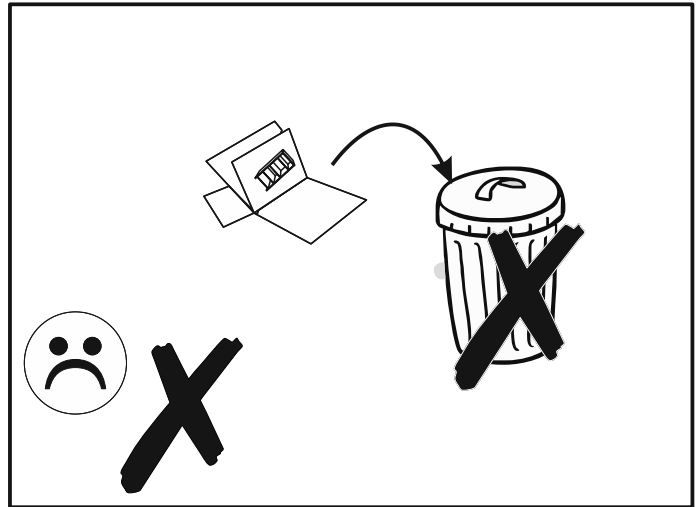
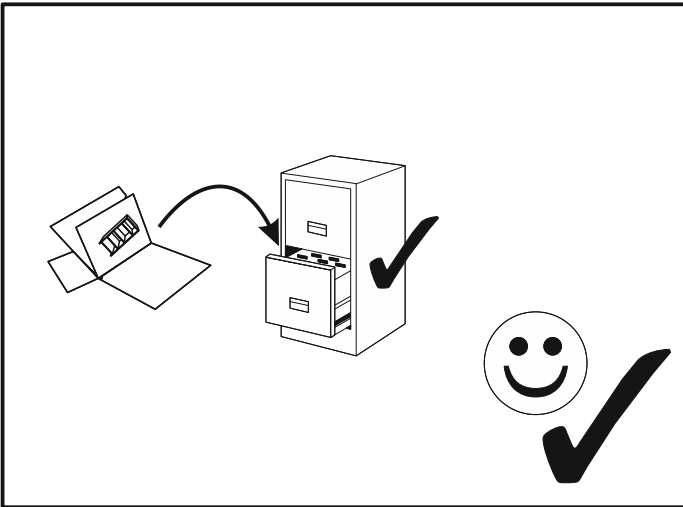
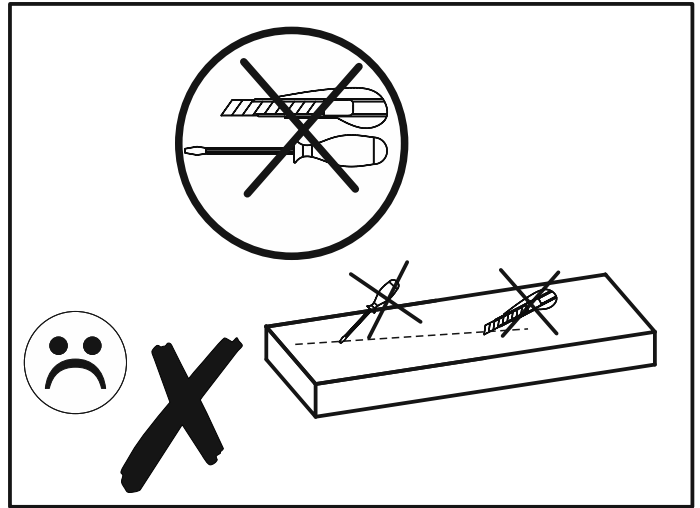
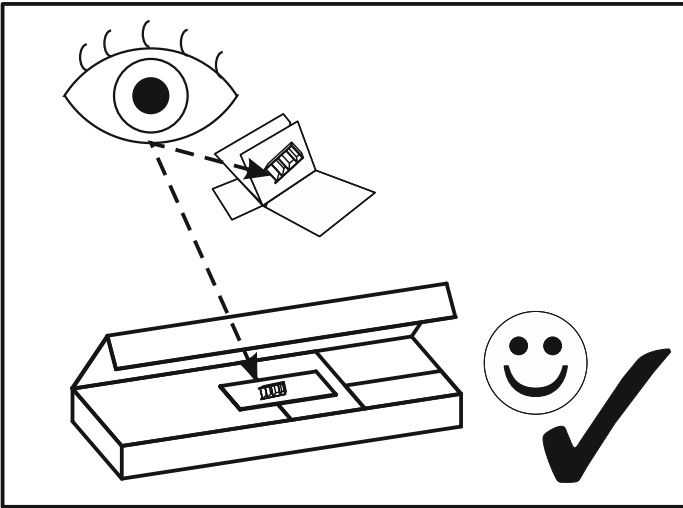


NVIS02

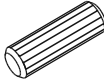
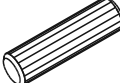
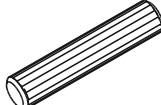
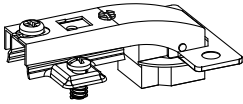


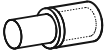
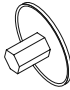


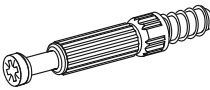
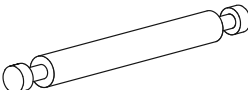



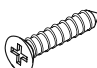
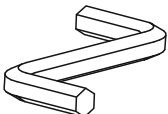

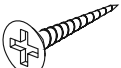
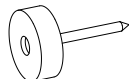
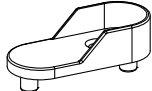
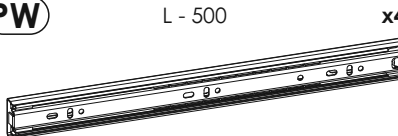
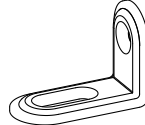
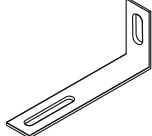
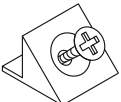

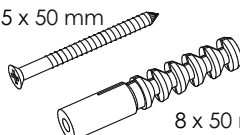
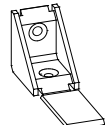
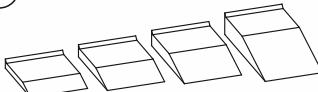
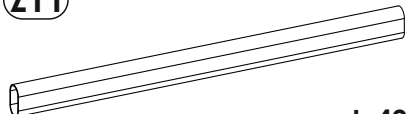


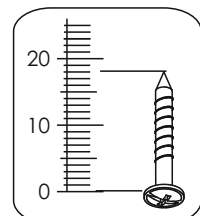
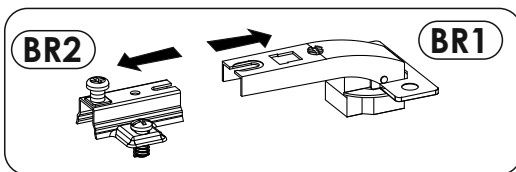
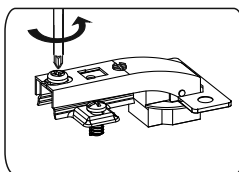
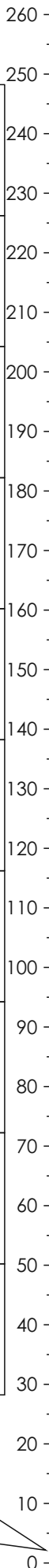




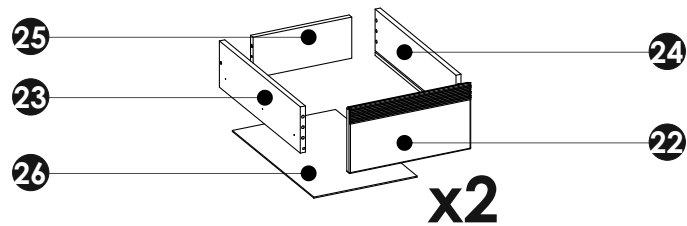
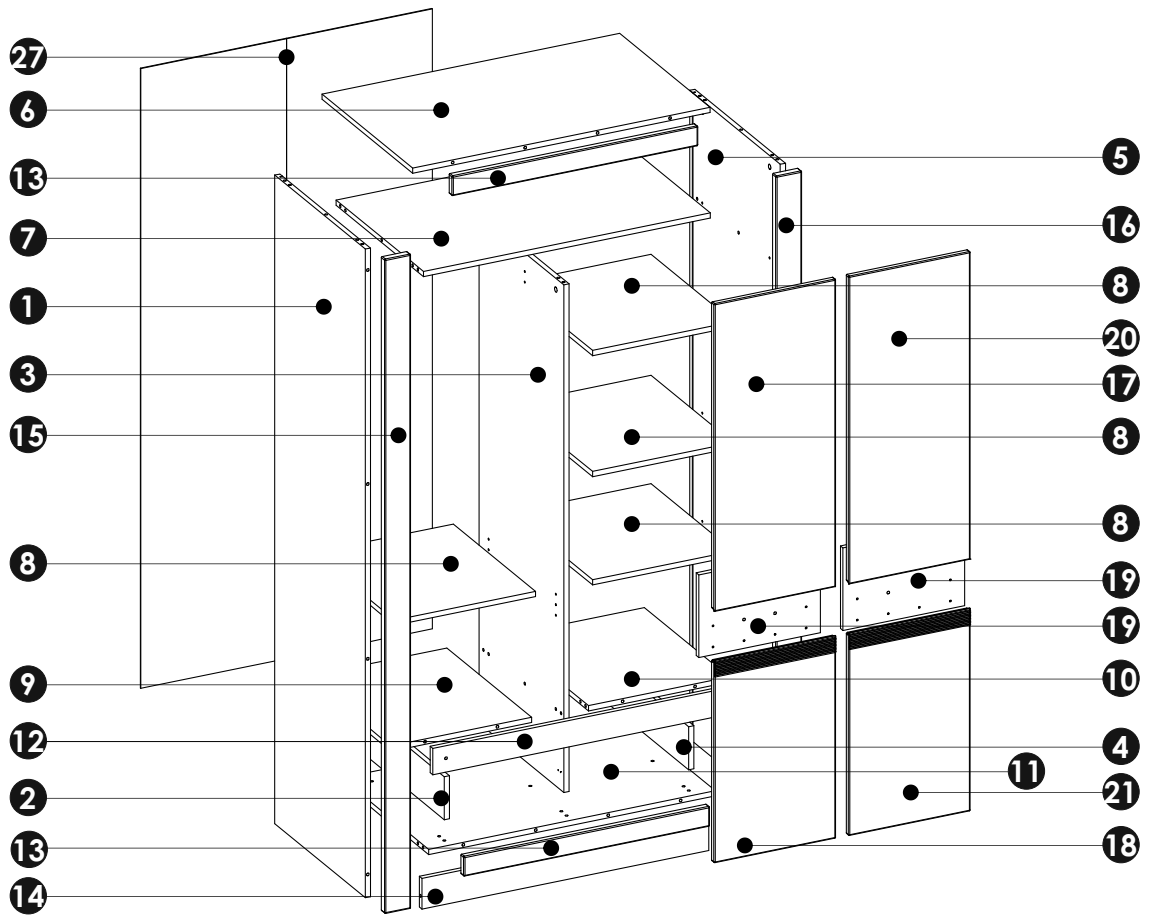
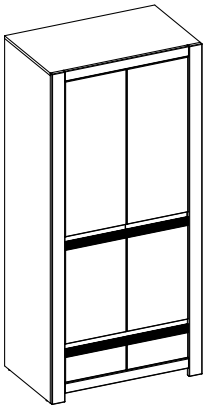
NVIS02

MM

A0 8 x 20 mm x8 	A1 8 x 35 mm x54 	A2 8 x 60 mm x3 
BR1 + BR2 x8 	C1 4 x 13 mm x16 	C2 5 x 13 mm x8 
D2 x16 	E0 x24 	E1 15 x 12 mm x46 
E14 x24 	F1 6 x 34 mm x42 	F2 7 x 76 mm x2 
G1 7 x 50 mm x10 	I2 4 x 16 mm x2 	I18 3,5 x 27 mm x2 
J6 4 x 25 mm x24 	M x1 	N1 3 x 16 mm x30 
N2 3,5 x 16 mm x22 	O2 x6 	P44 x2 
PW L - 500 x4 	Q2 x2 	Q9 x2 
R4 x14 	R8 x8 	S13 5 x 50 mm x2 8 x 50 mm 
W x2 	Z x1 	Z11 x1  L-426



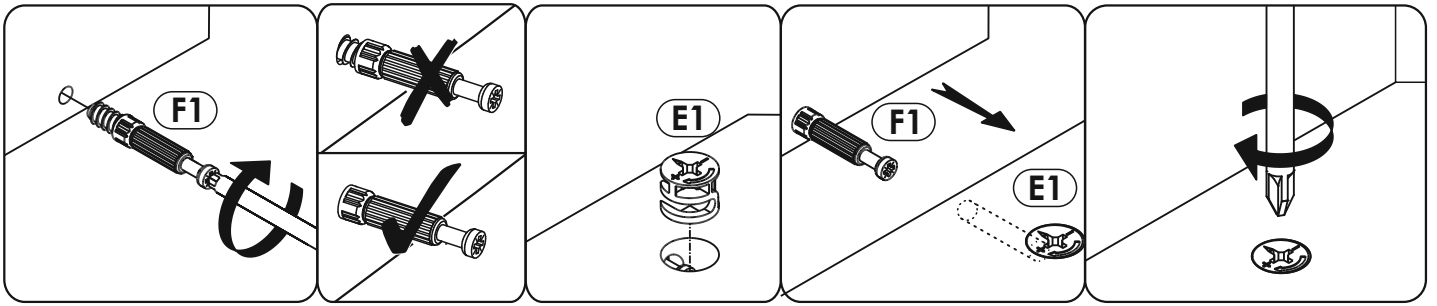
NVIS02



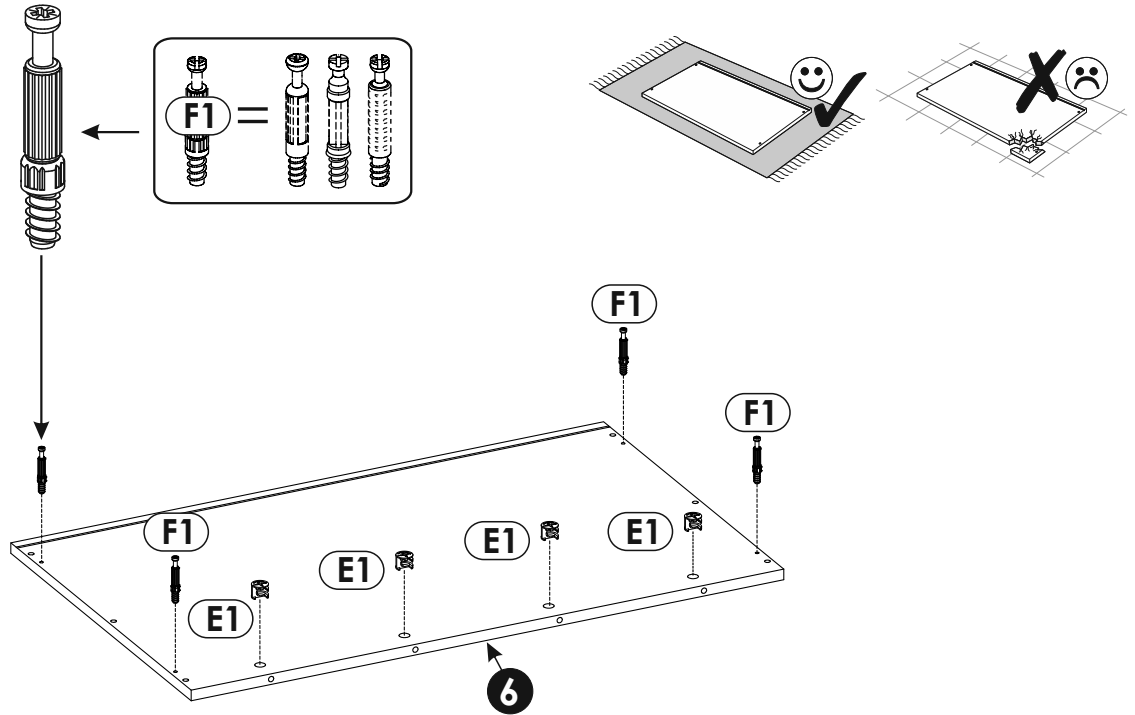
1	1964	560	16 x1	4/4
2	130	540	16 x1	2/4
3	1537	524	16 x1	3/4
4	130	540	16 x1	2/4
5	1964	560	16 x1	4/4
6	920	560	16 x1	2/4
7	887	540	16 x1	1/4
8	435	509	16 x4	1/4
9	435	524	16 x1	1/4

10	435	524	16 x1	1/4
11	887	540	16 x1	1/4
12	887	80	16 x1	2/4
13	760	60	19 x2	4/4
14	887	93	16 x1	2/4
15	1981	80	22 x1	4/4
16	1981	80	22 x1	4/4
17	932	376	16 x1	3/4
18	613	376	16 x1	3/4

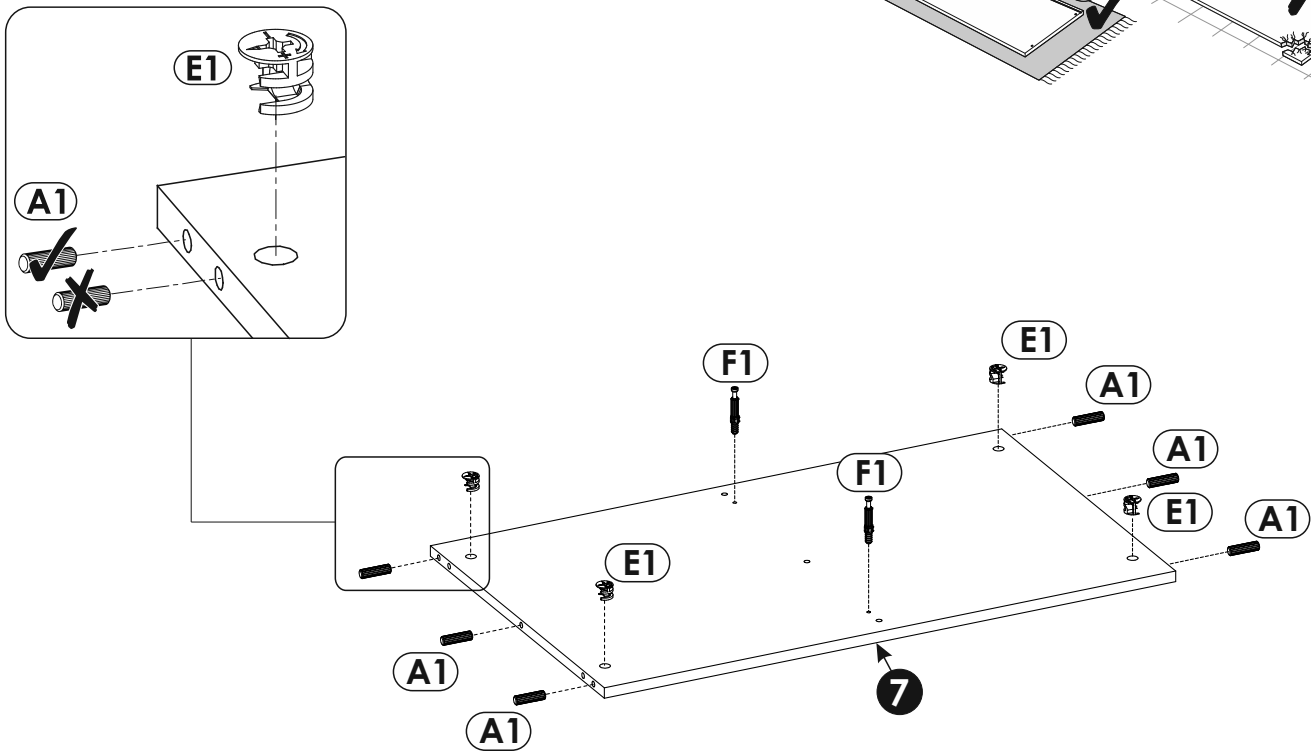
19	376	250	16 x2	2/4
20	932	376	16 x1	3/4
21	613	376	16 x1	3/4
22	376	200	16 x2	2/4
23	500	140	16 x2	3/4
24	500	140	16 x2	3/4
25	305	124	16 x2	2/4
26	319	505	3 x2	1/4
27	1877	900	3 x1	4/4



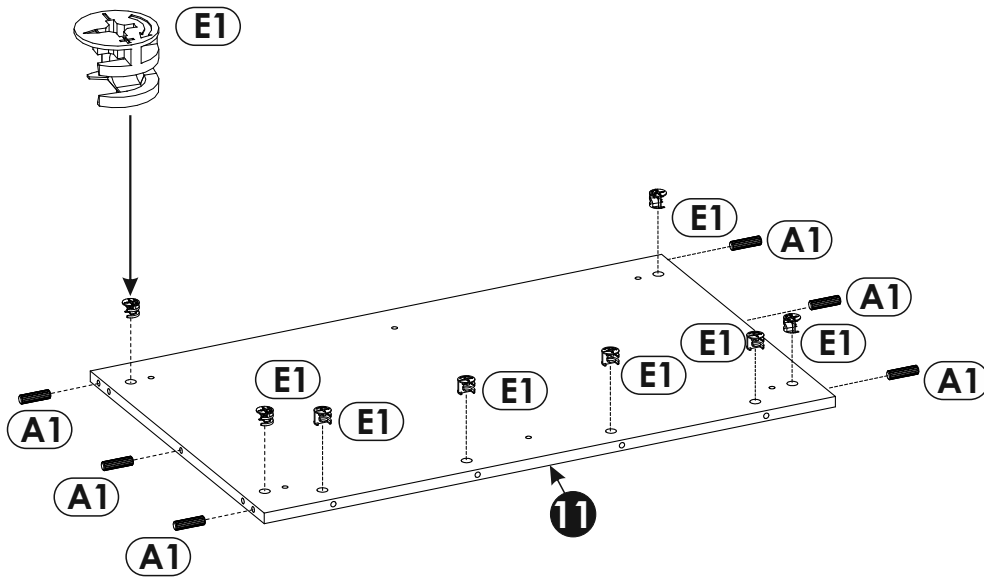
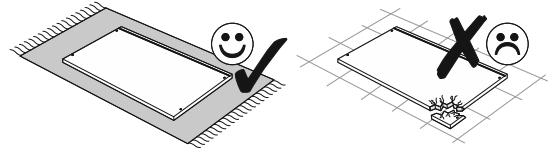
1 ▶



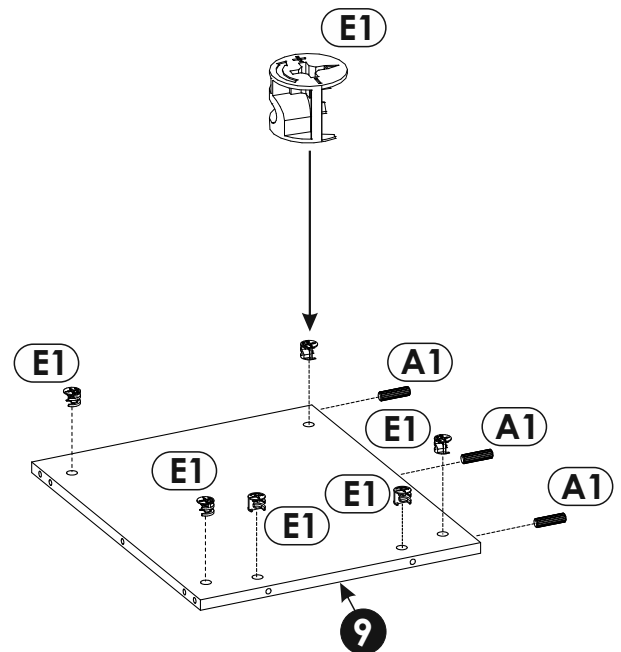
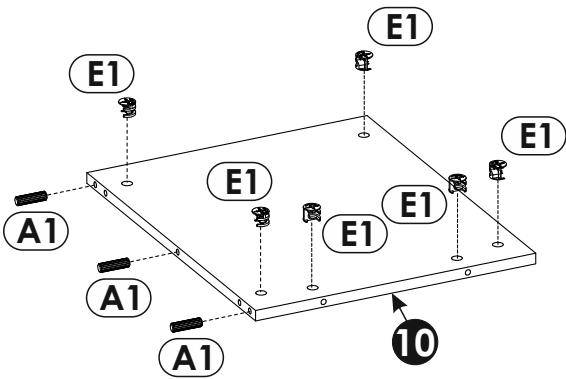
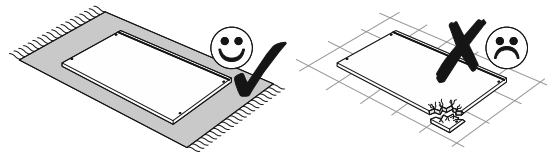
2 ▶



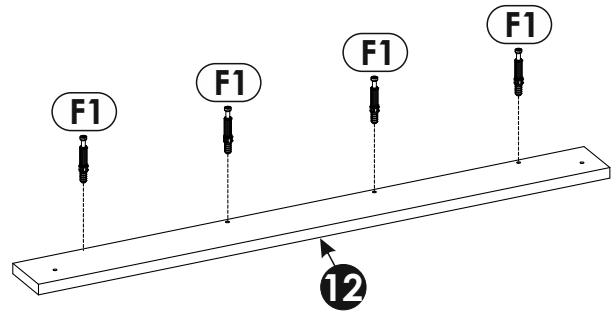
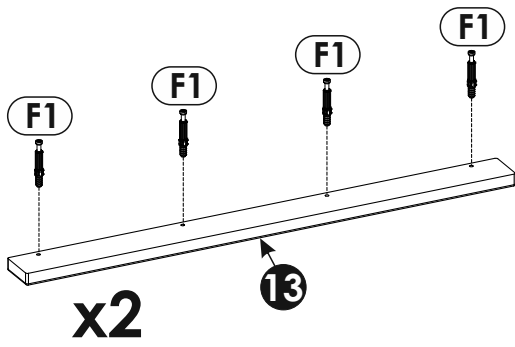
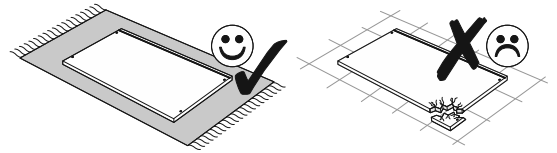
3 ▶



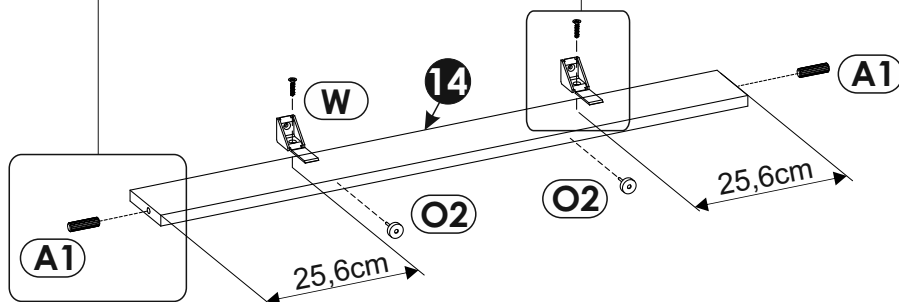
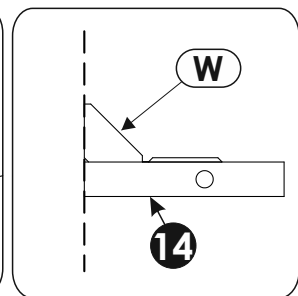
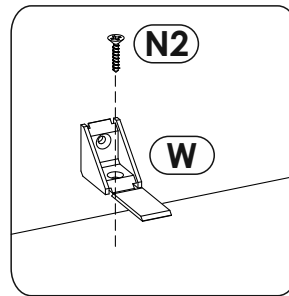
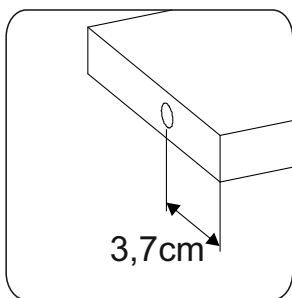
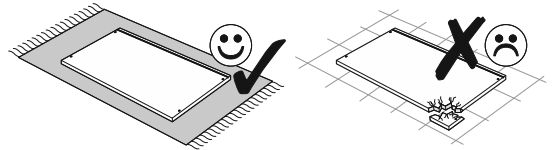
4 ▶

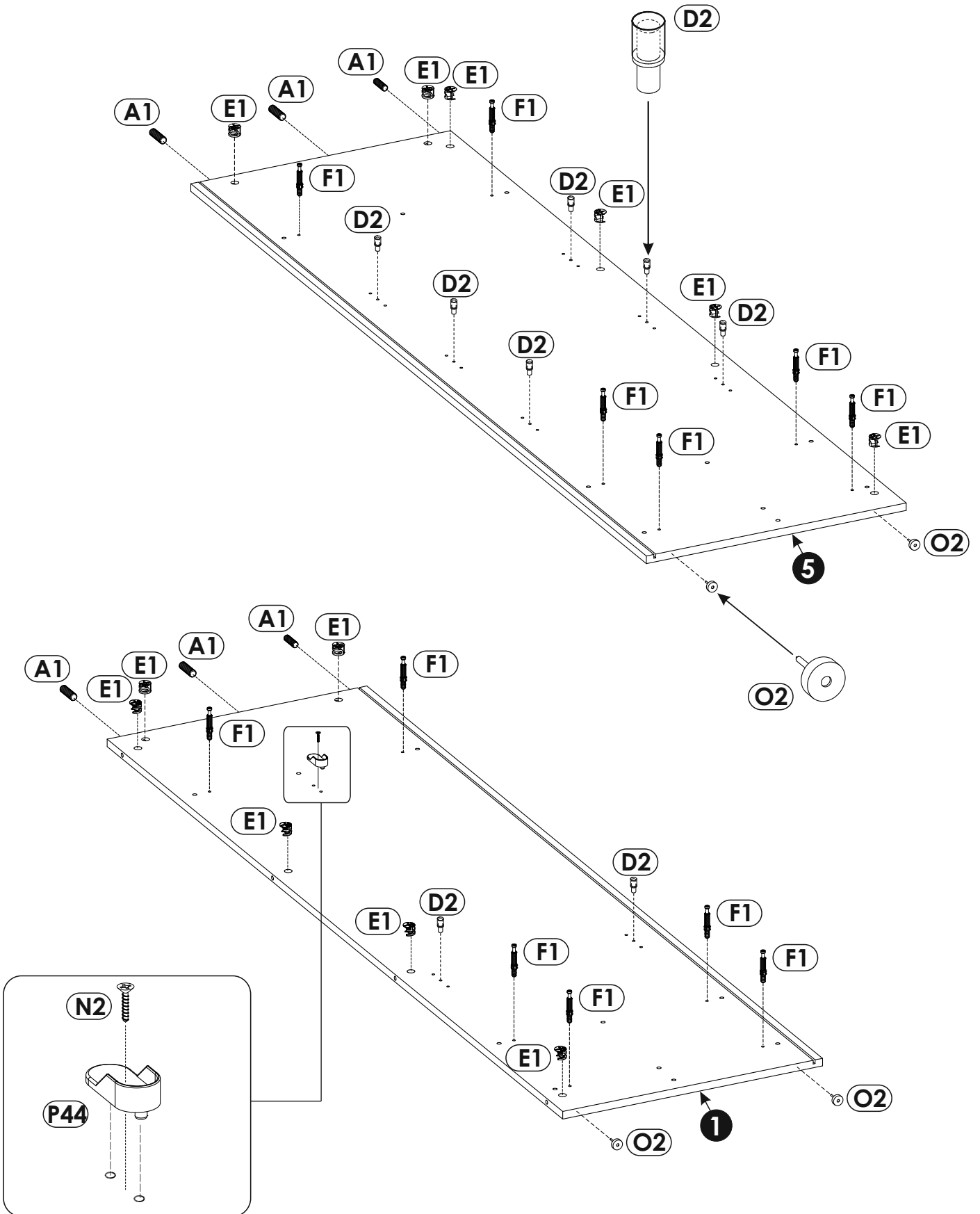
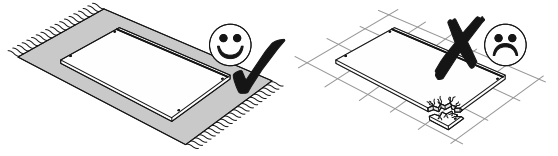


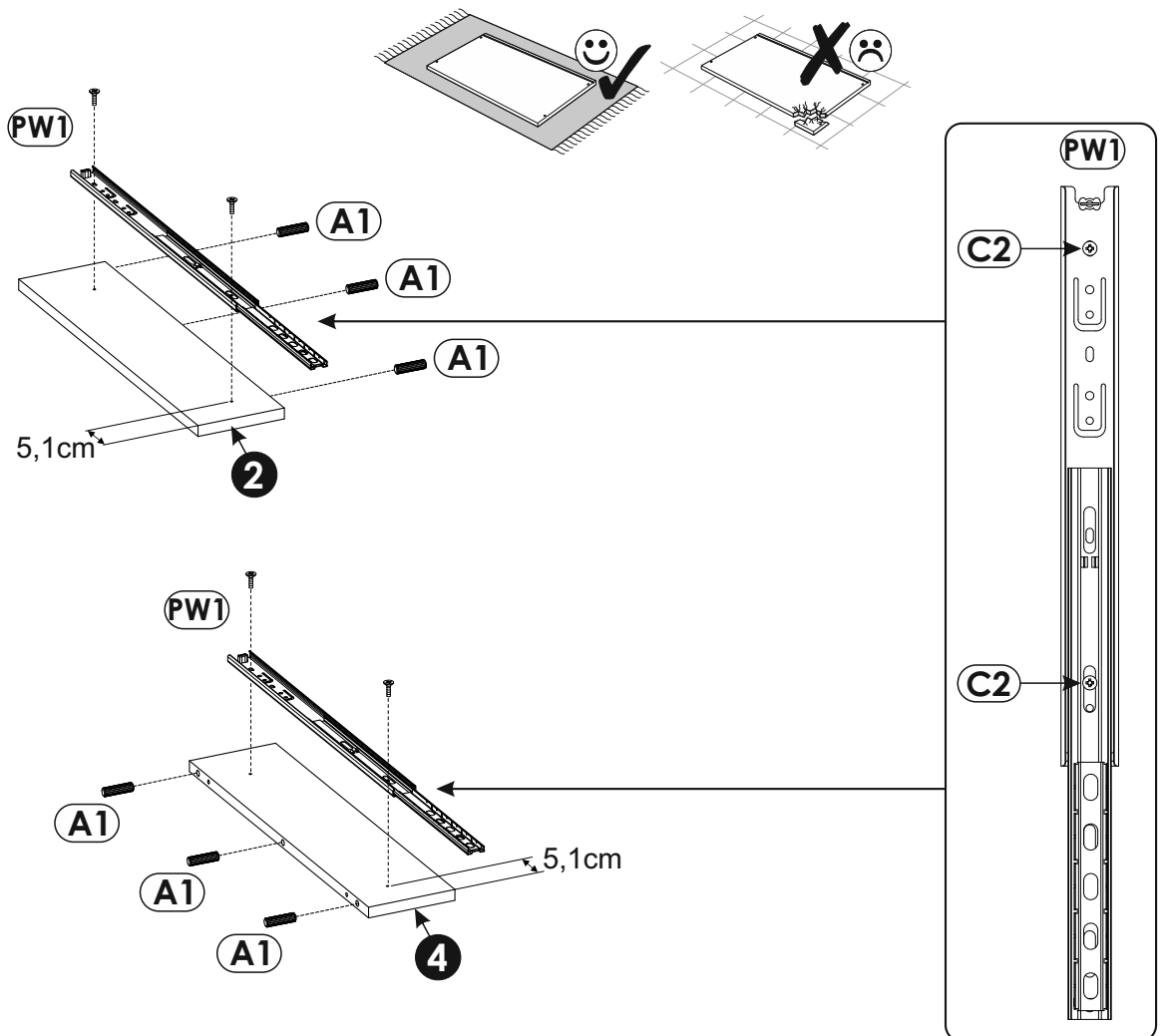
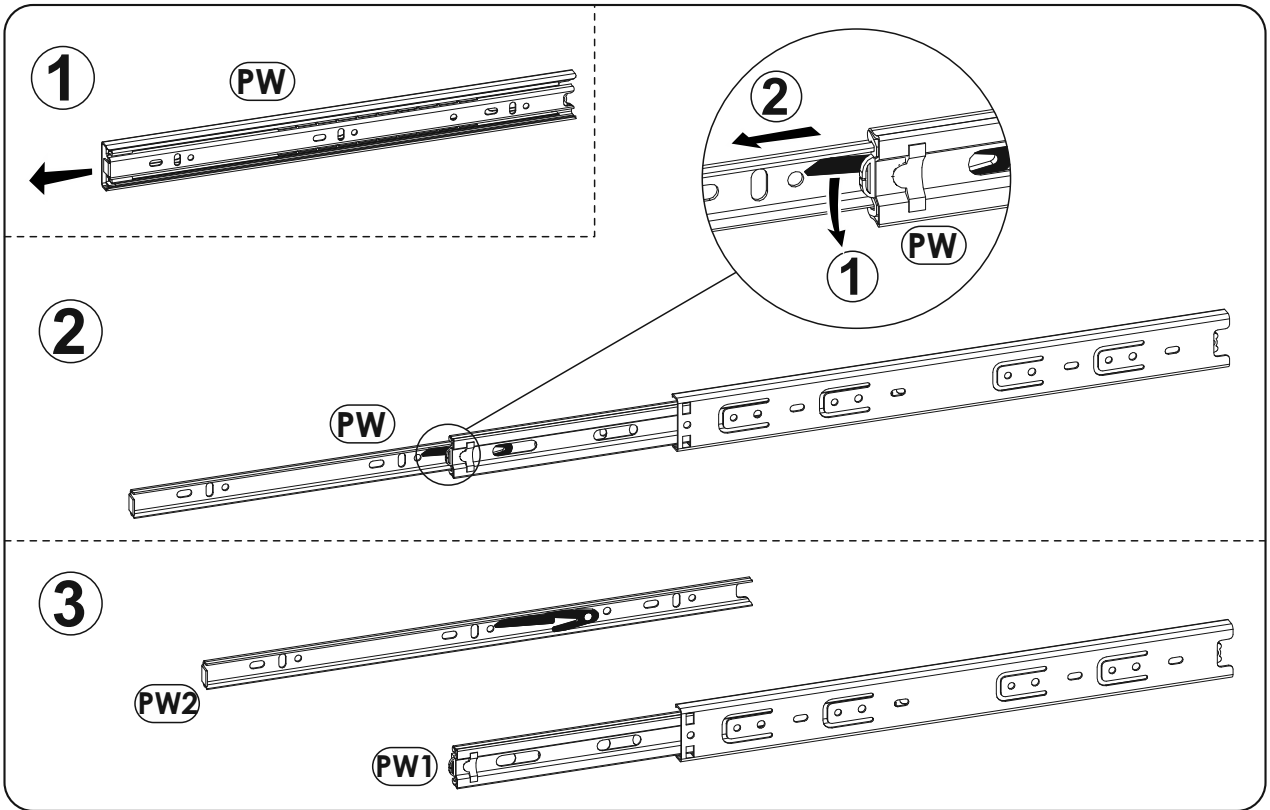
5 ▶



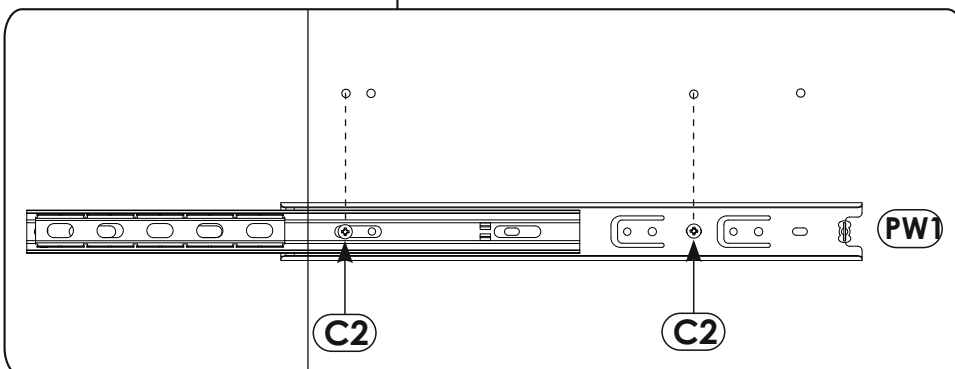
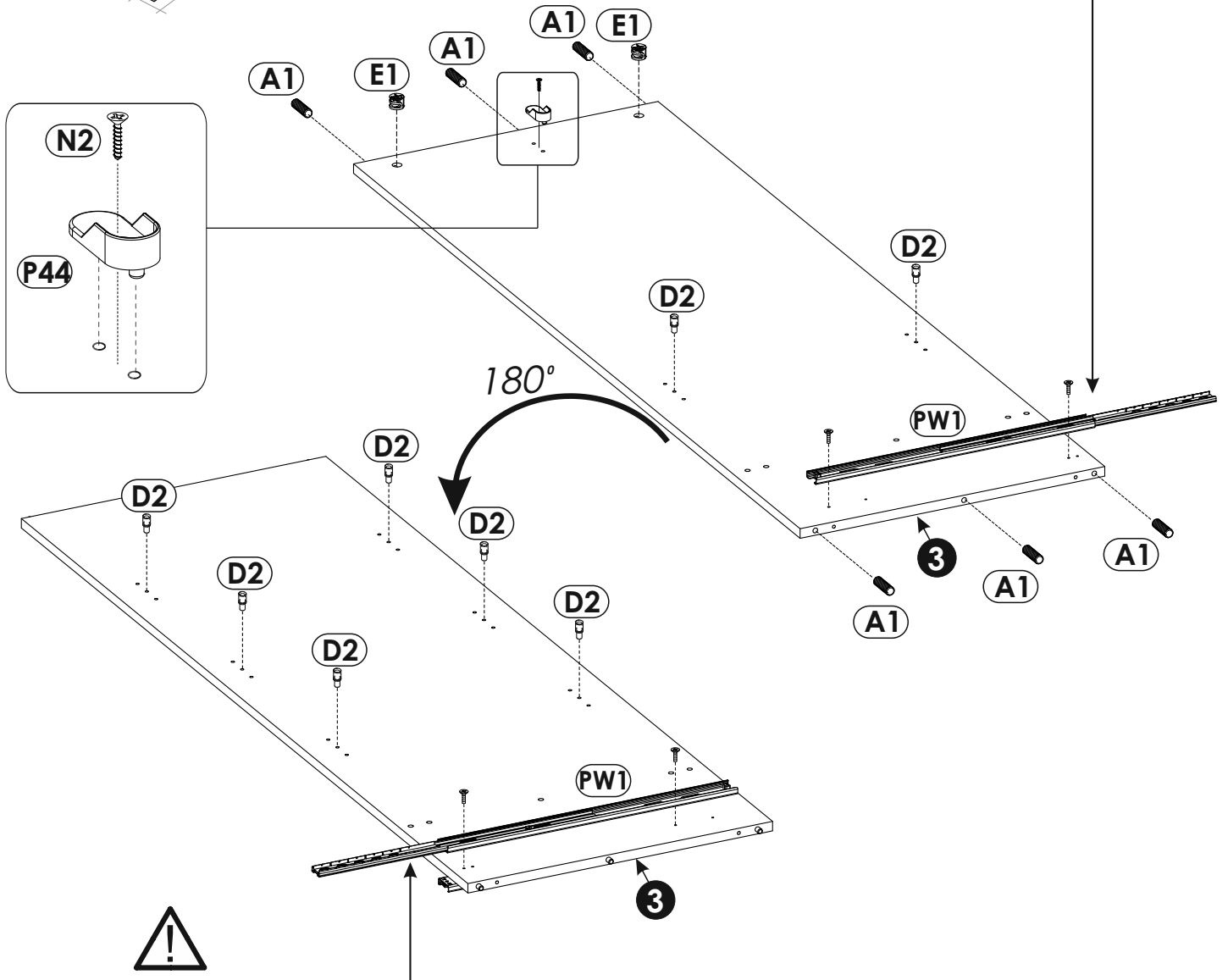
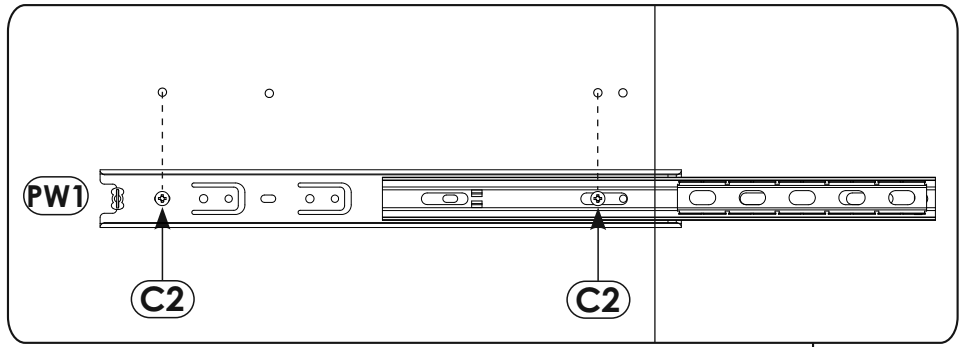
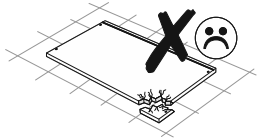
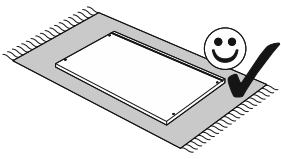
6 ▶



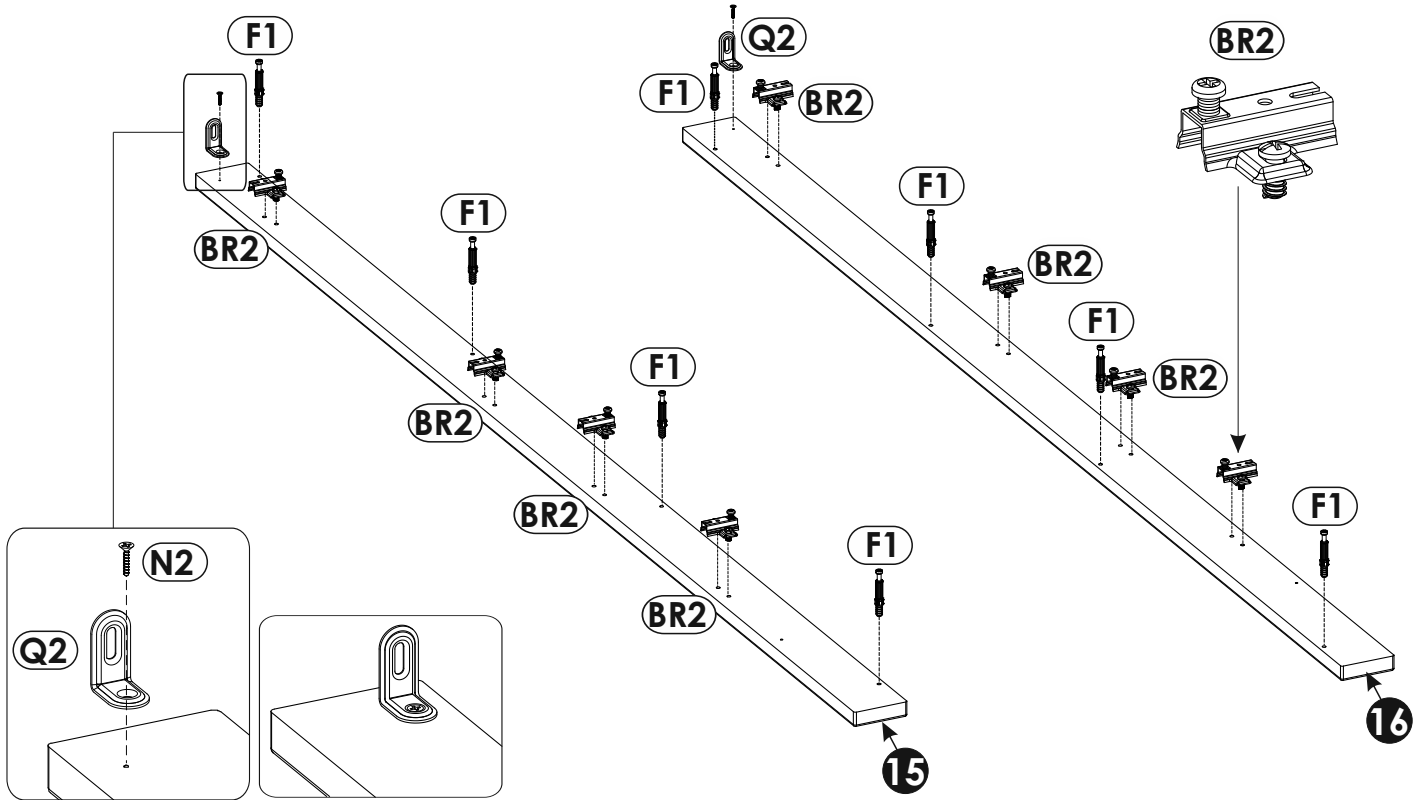
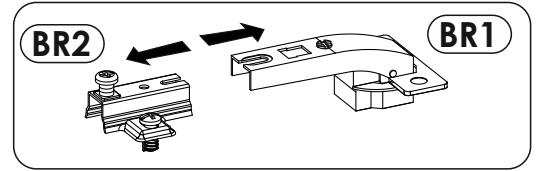
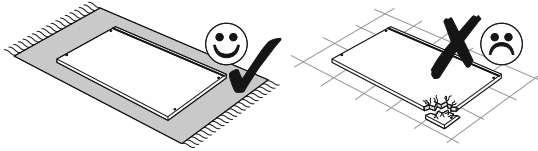




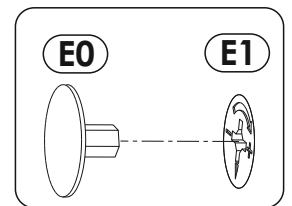
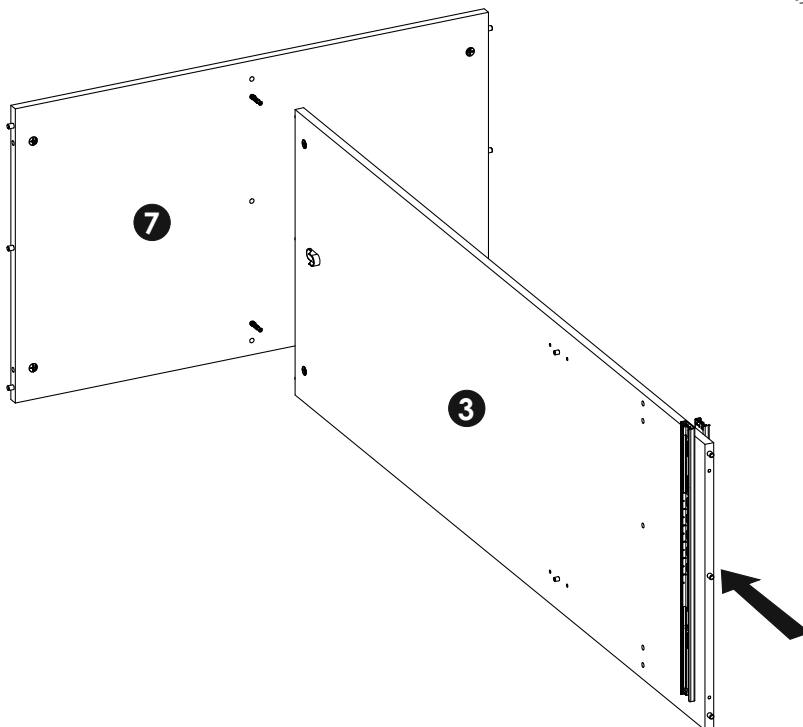
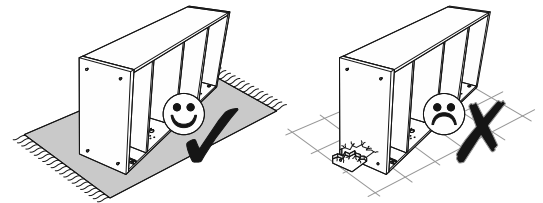
9 ▶



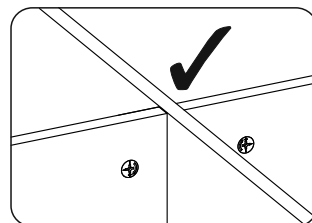
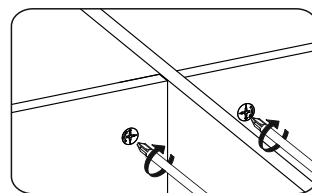
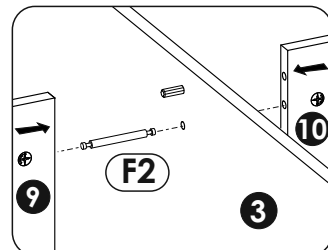
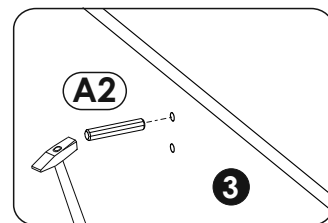
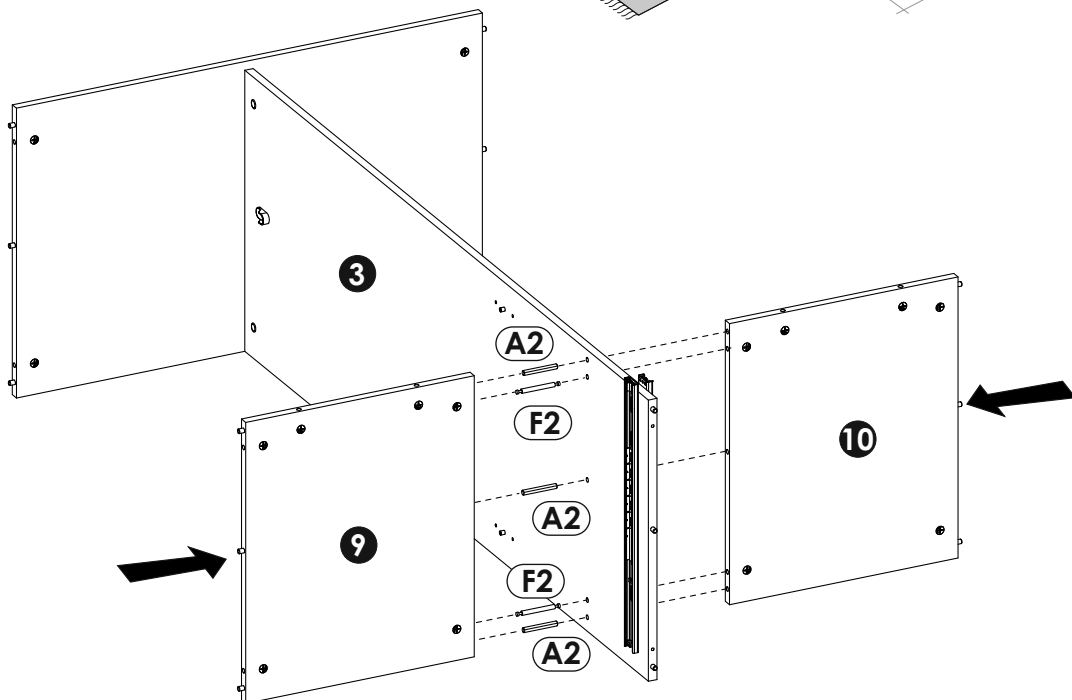
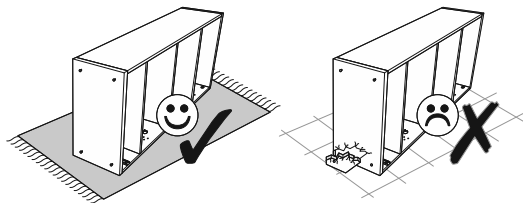
10 ▶



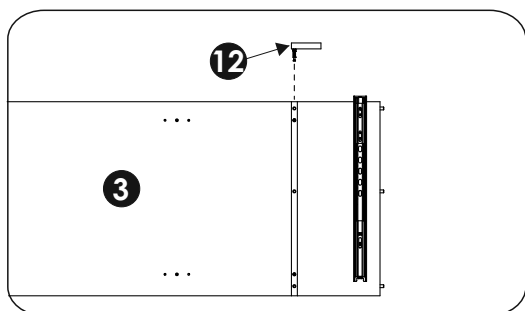
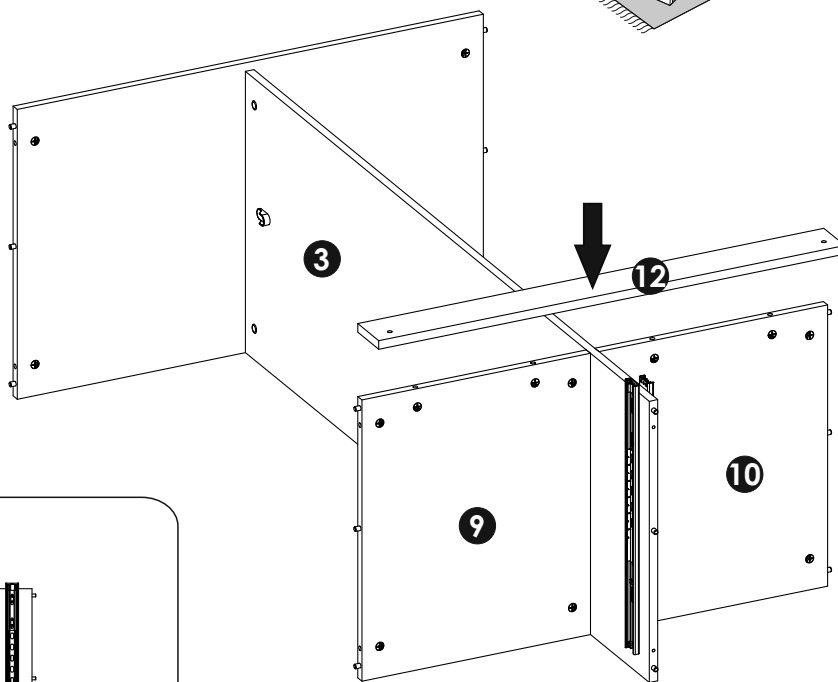
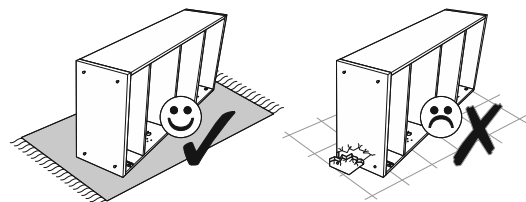
11 ▶



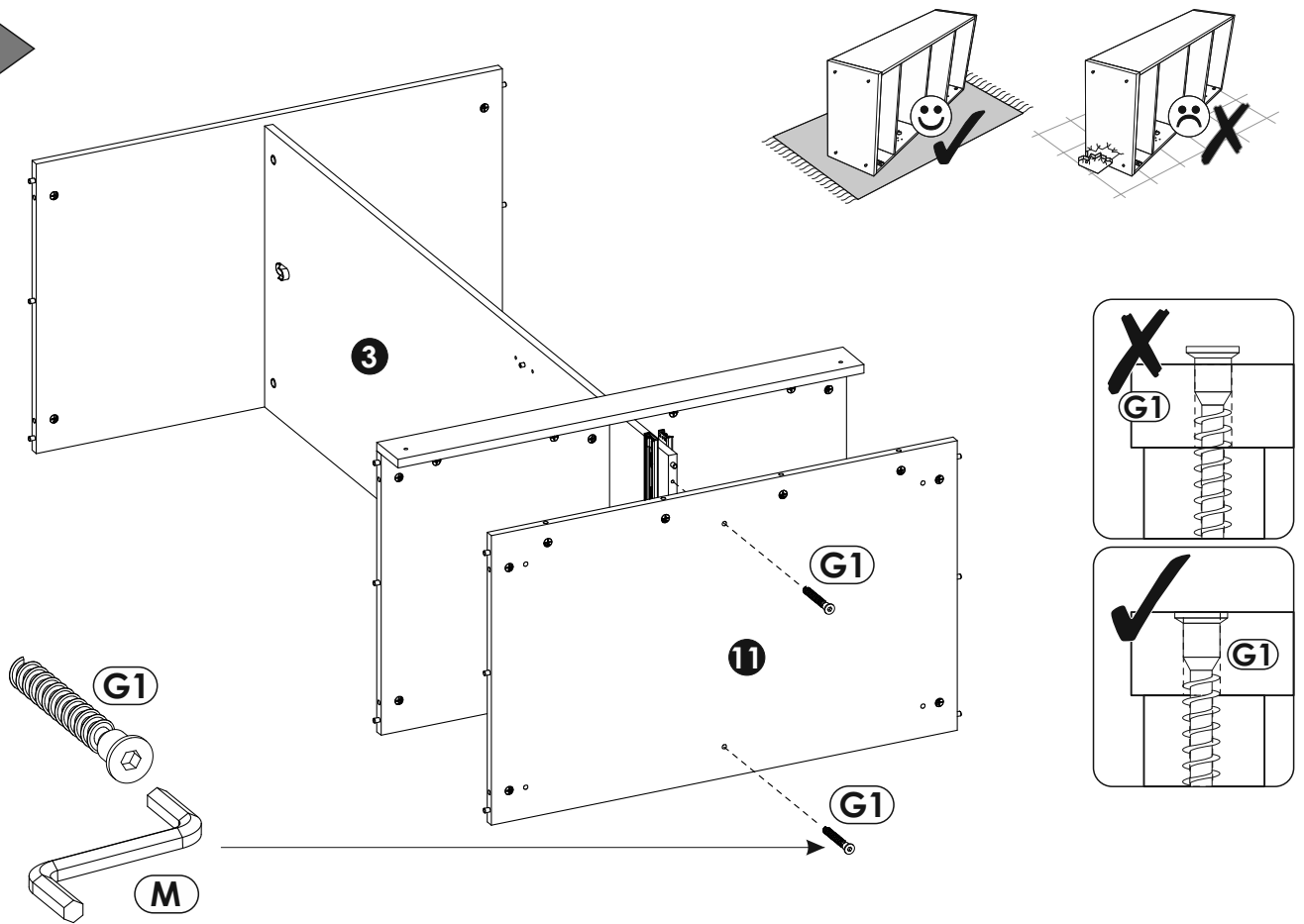
12▶



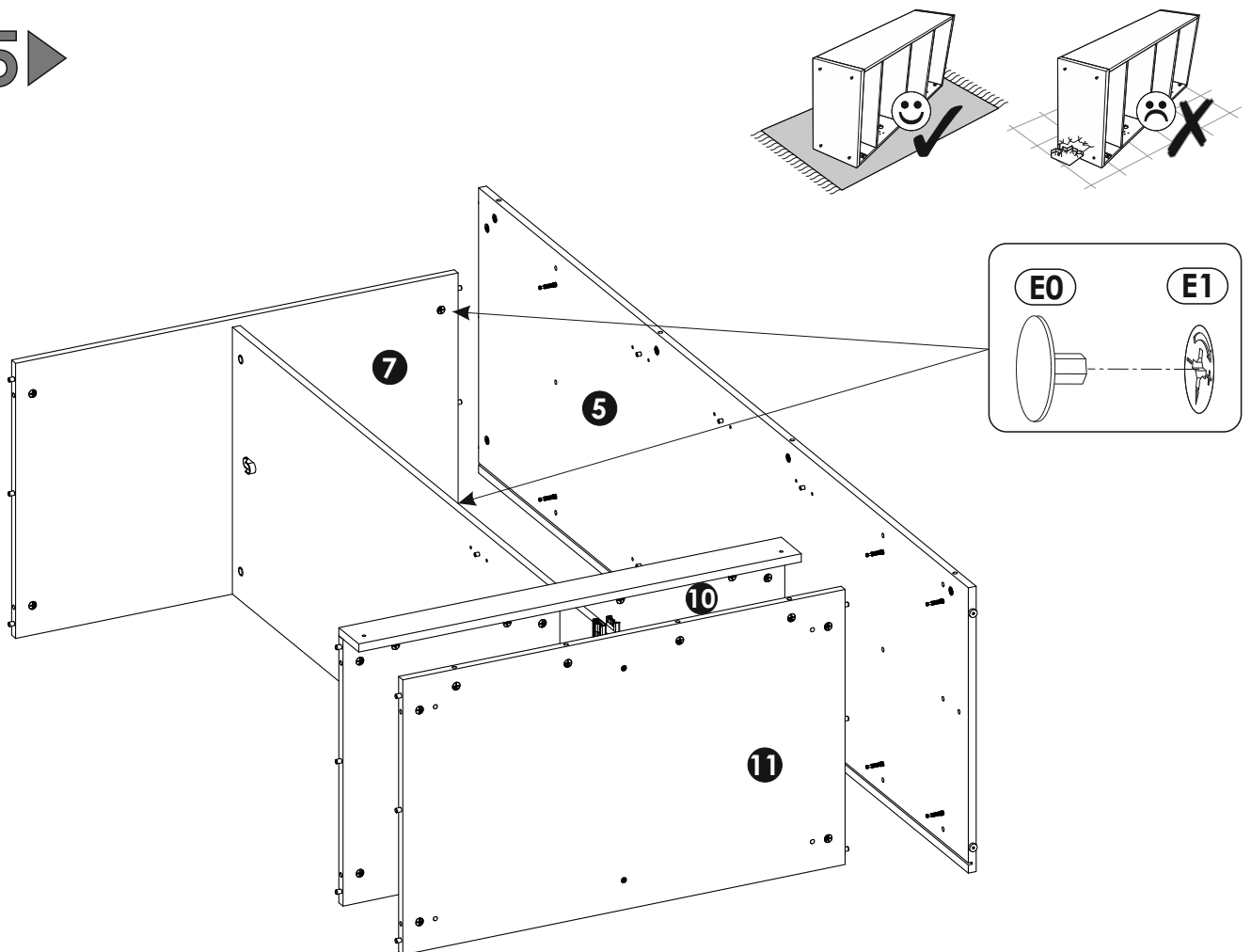
13▶



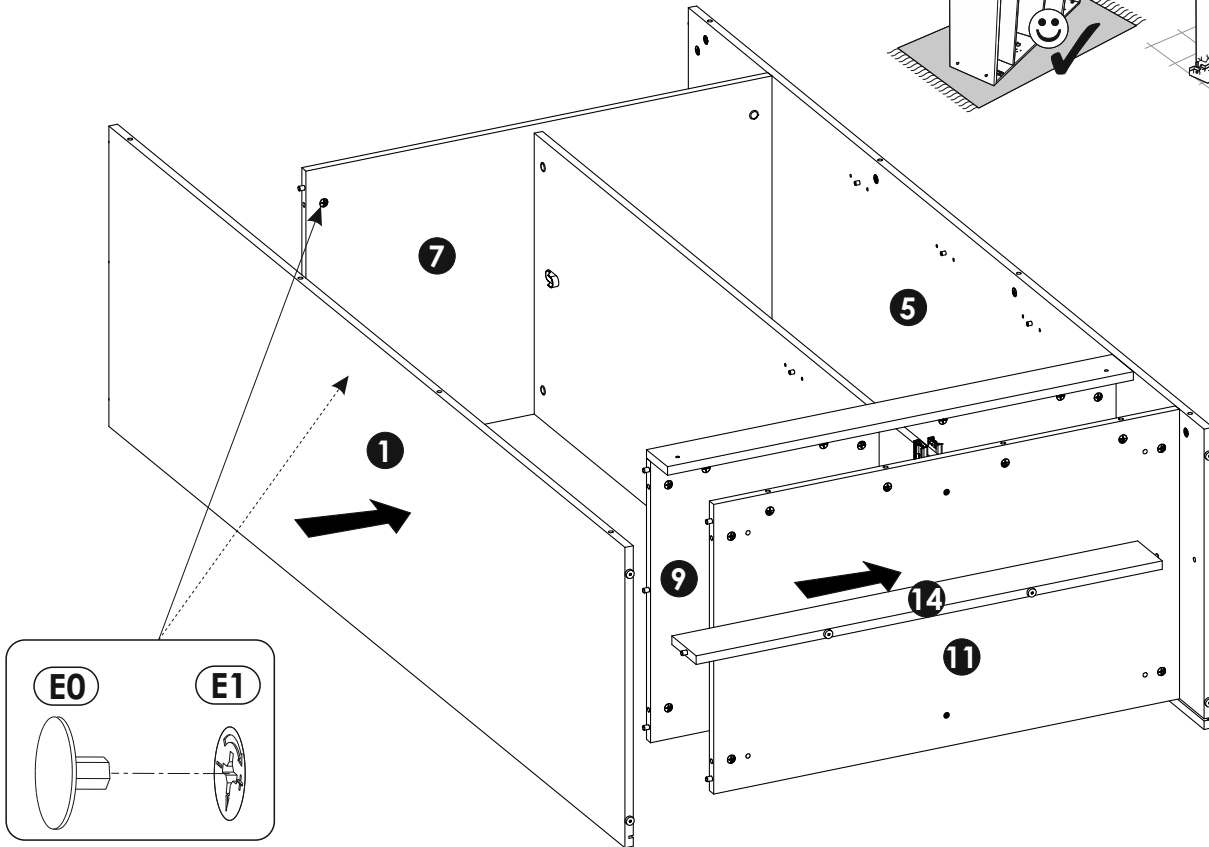
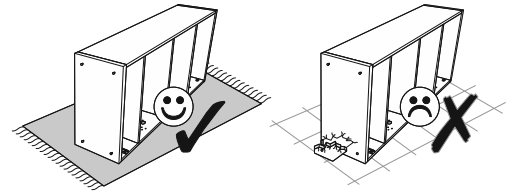
14 ▶



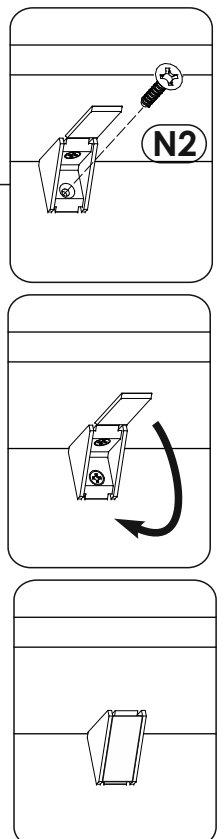
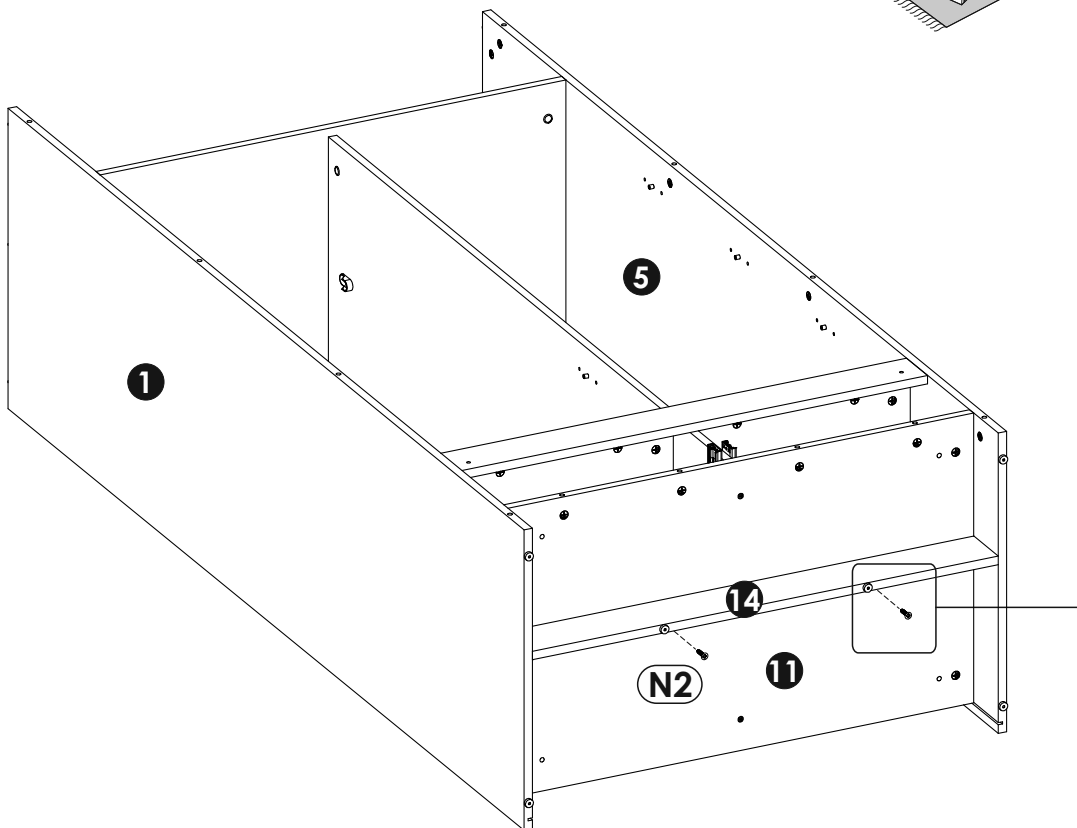
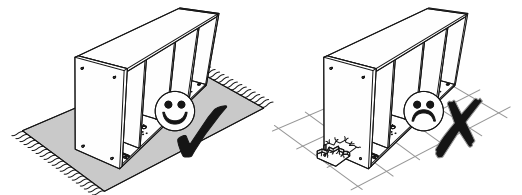
15 ▶



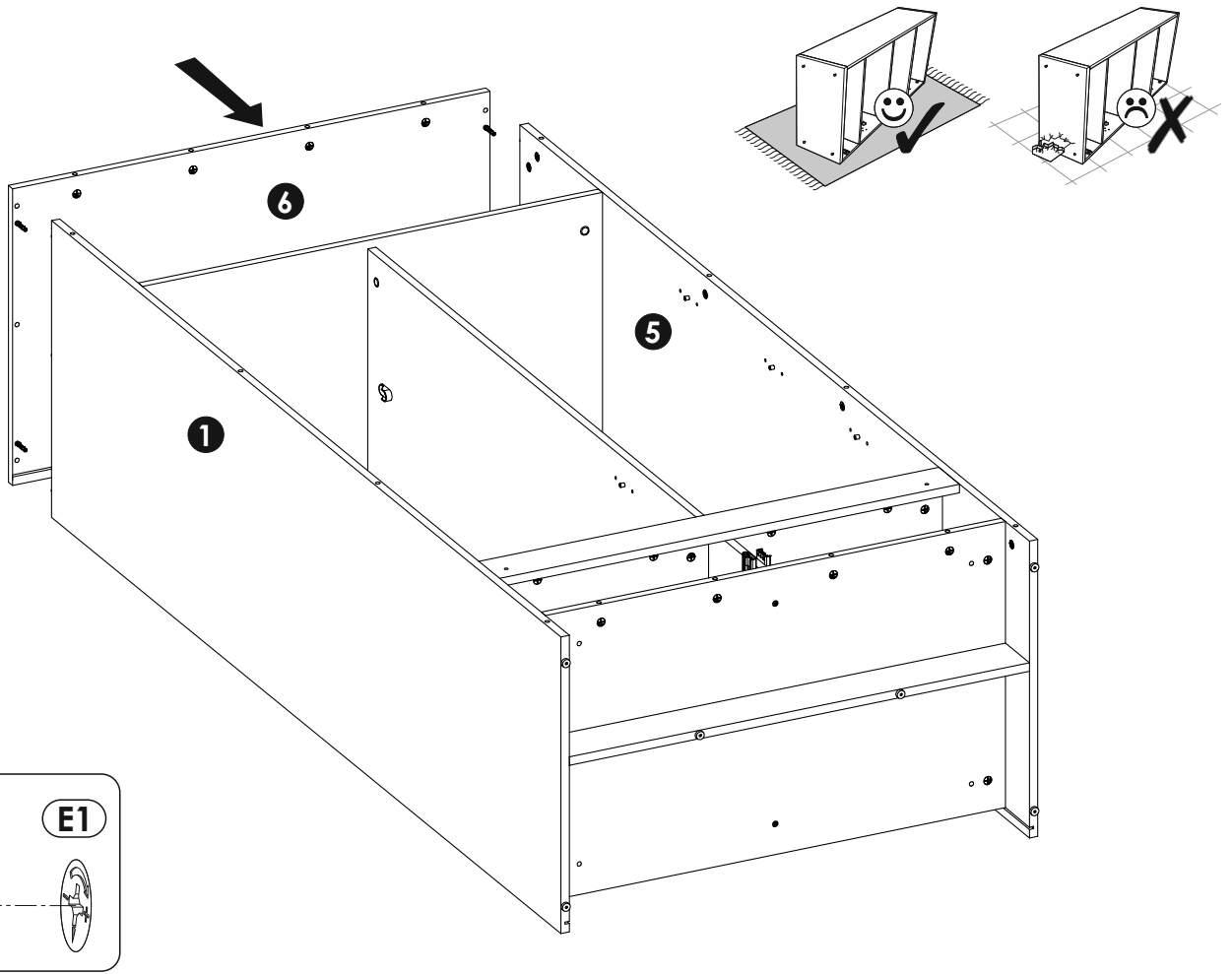
16 ▶



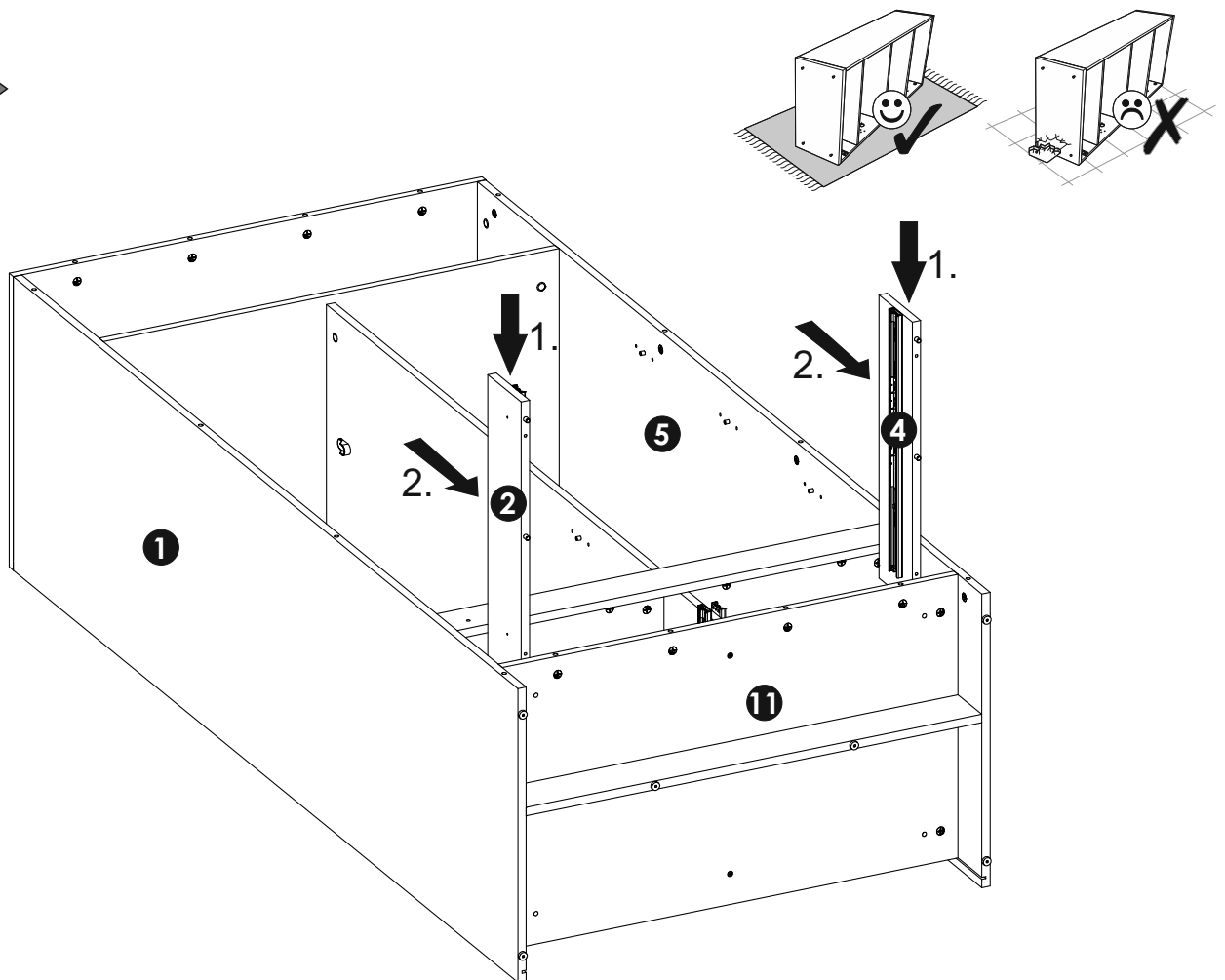
17 ▶



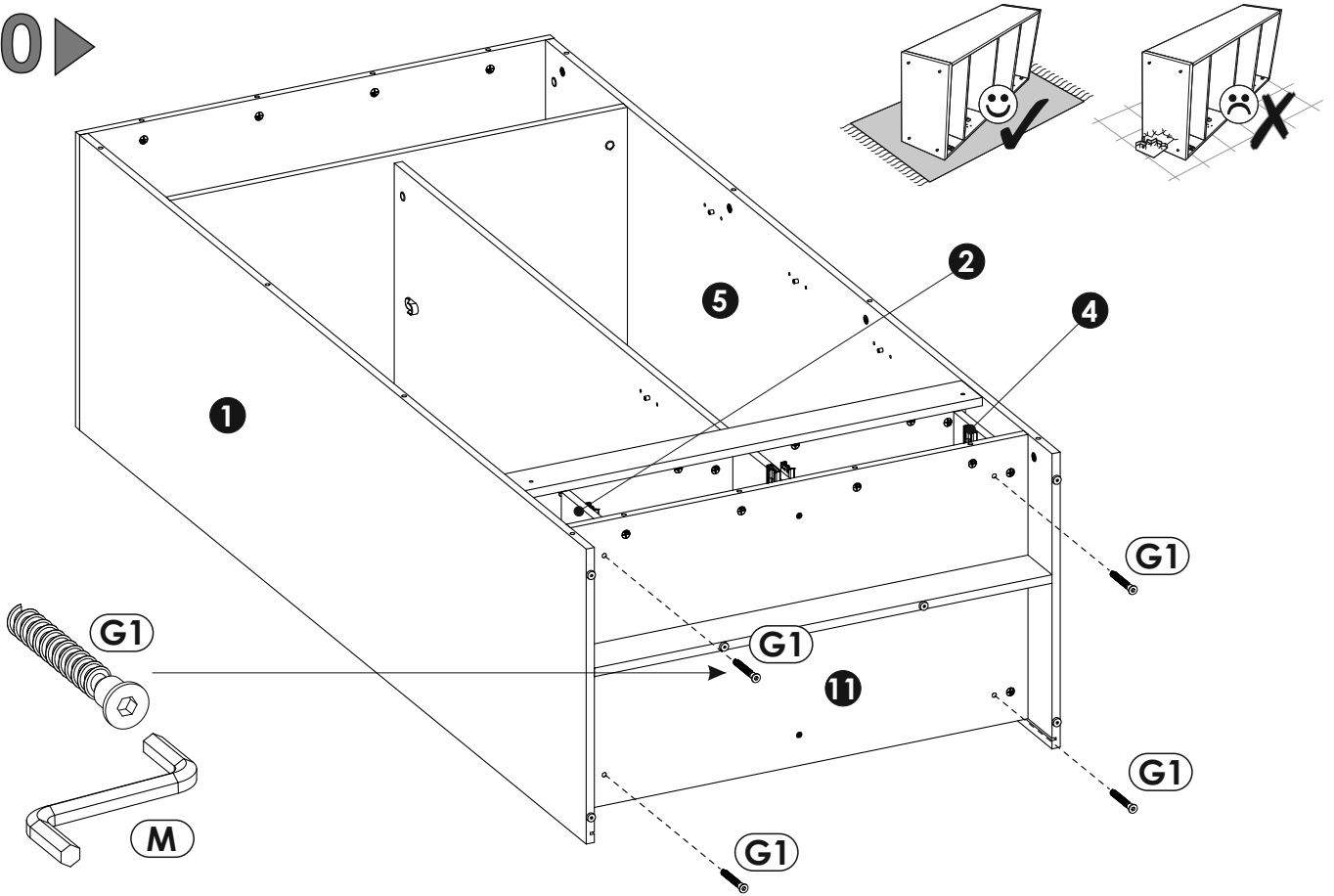
18 ▶



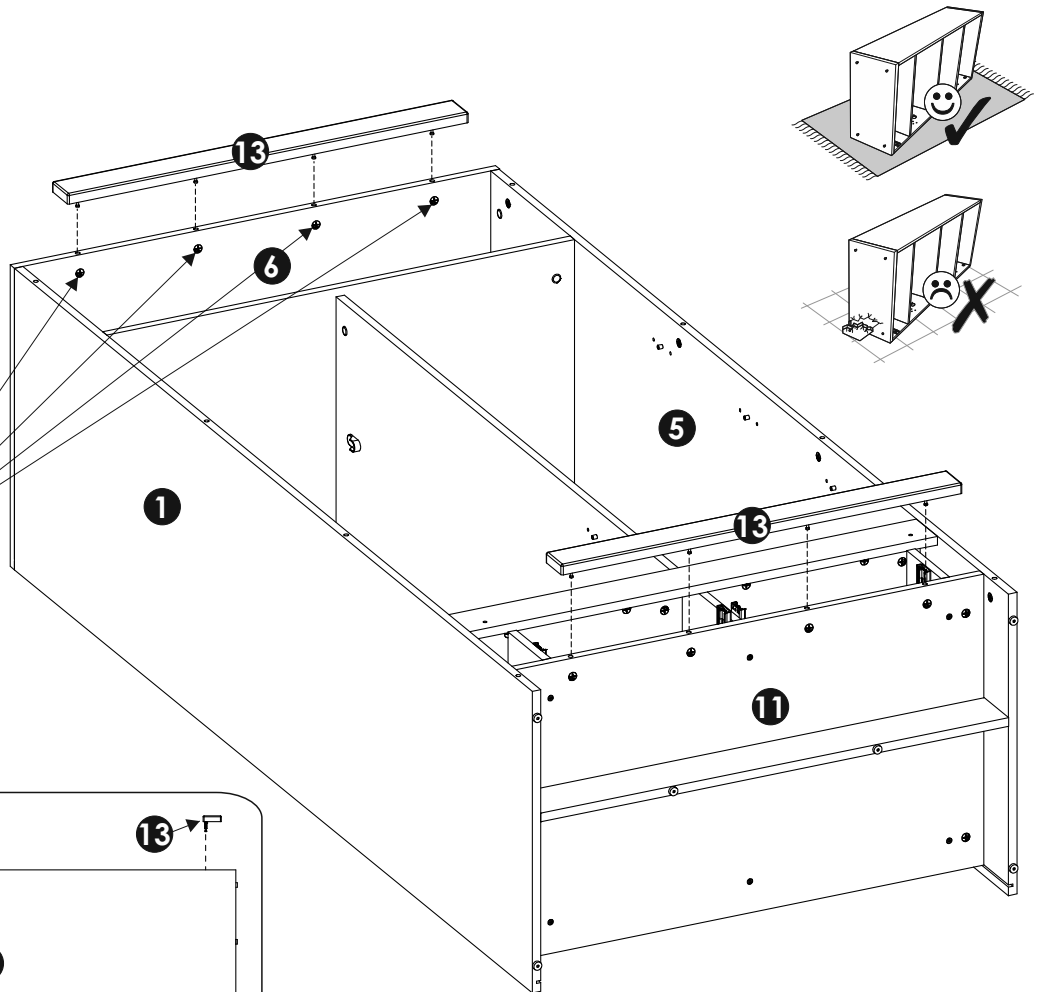
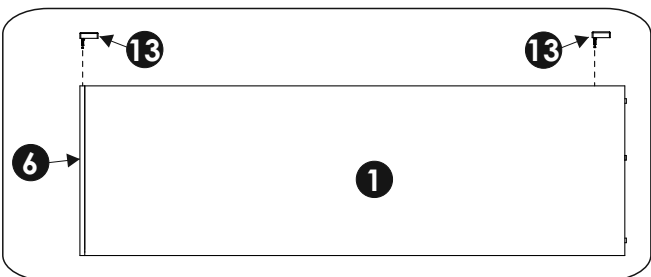
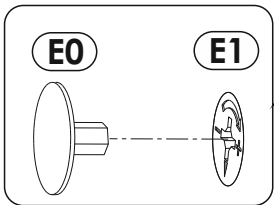
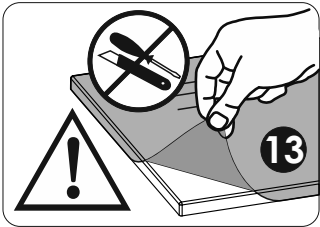
19 ▶



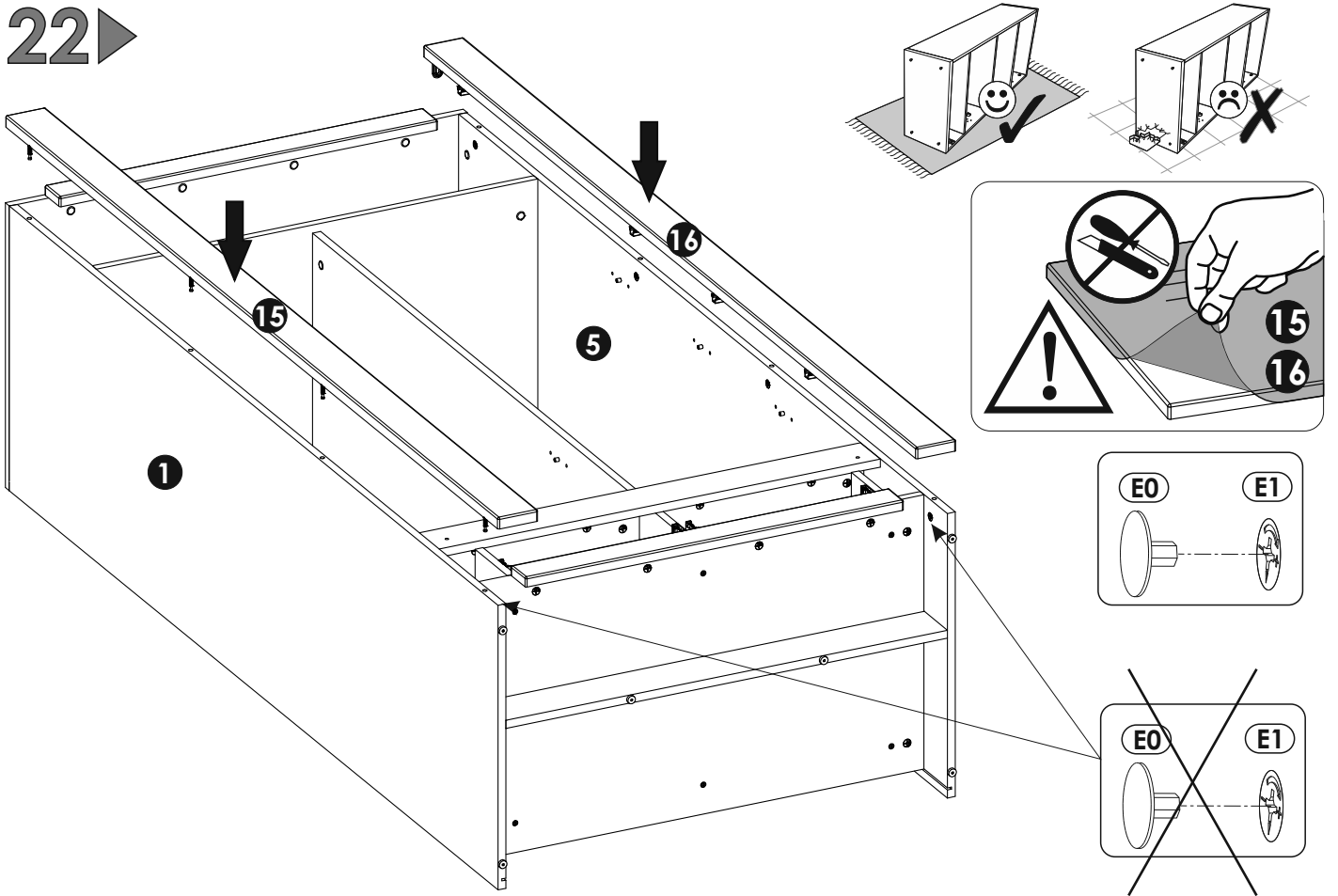
20 ▶



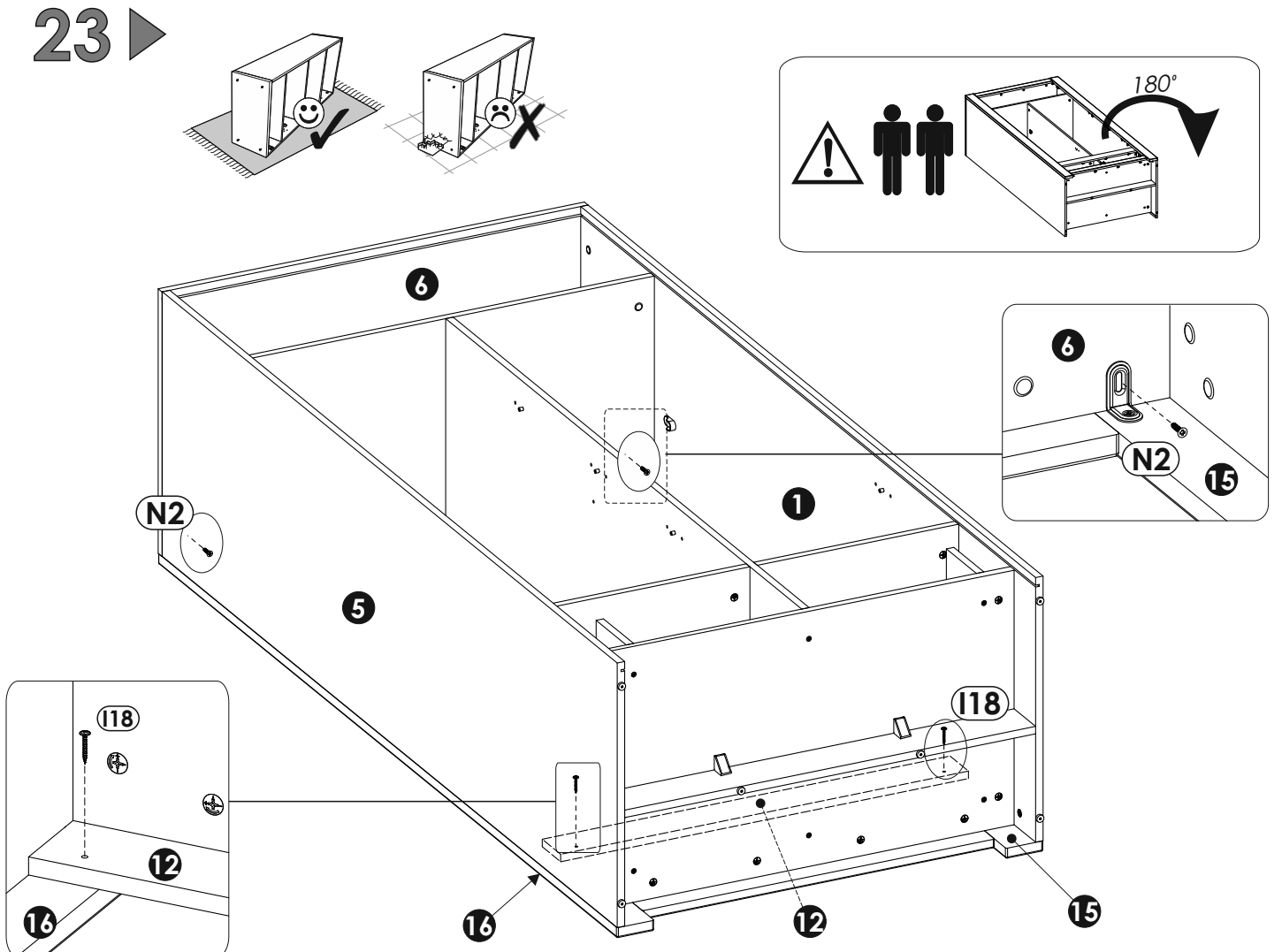
21 ▶



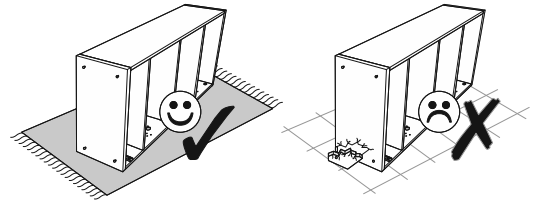
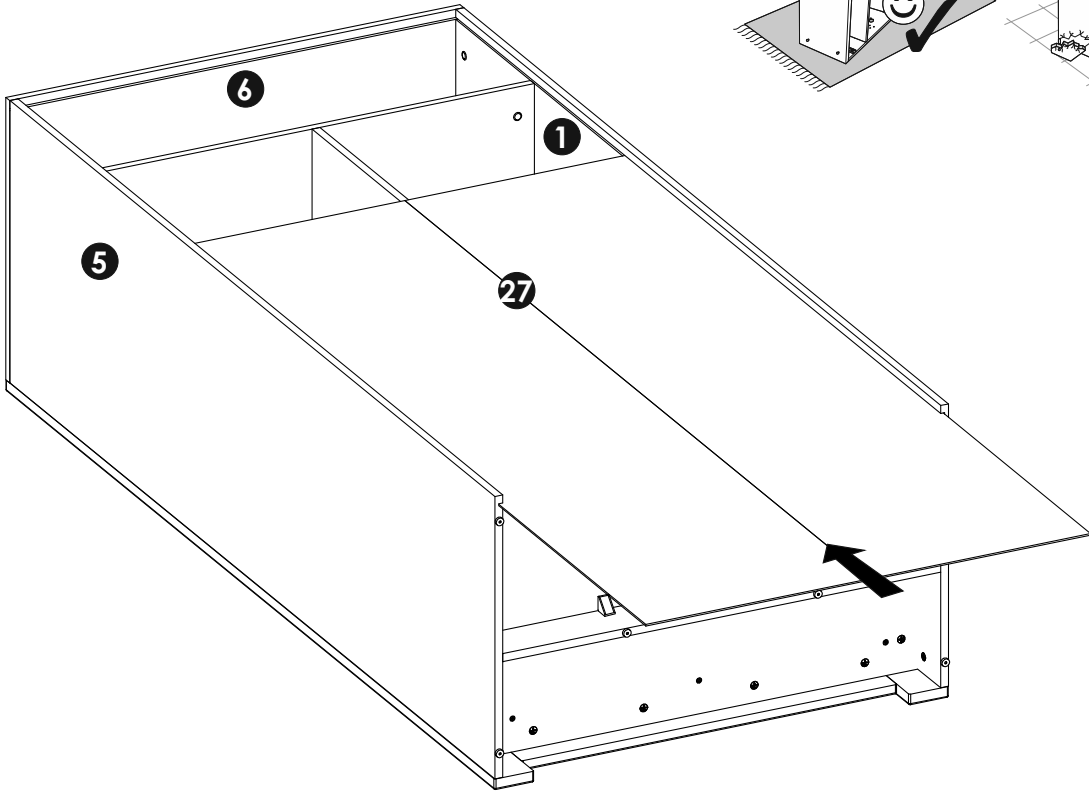
22 ▶



23 ▶

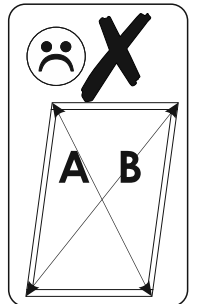
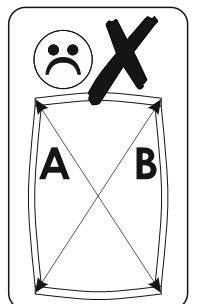
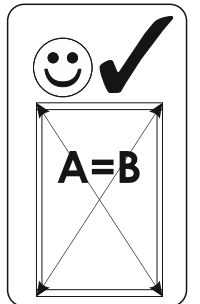
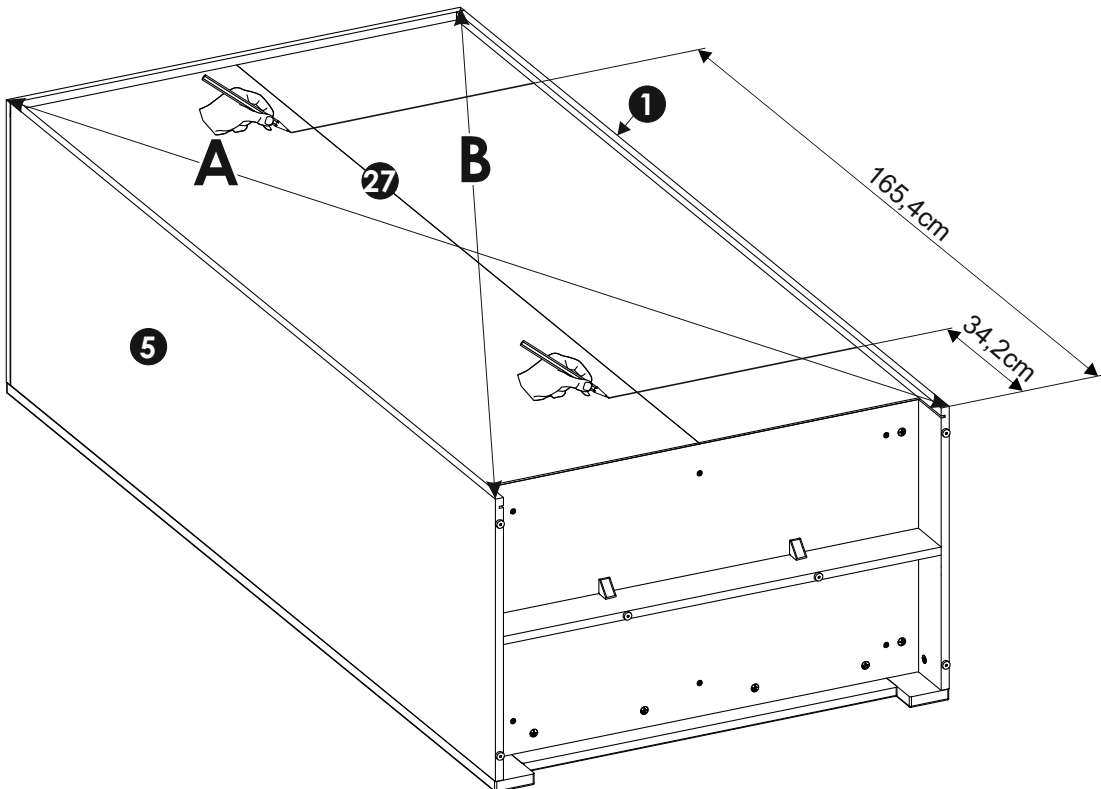
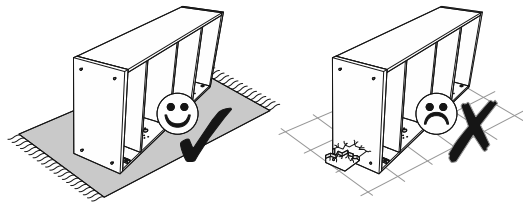


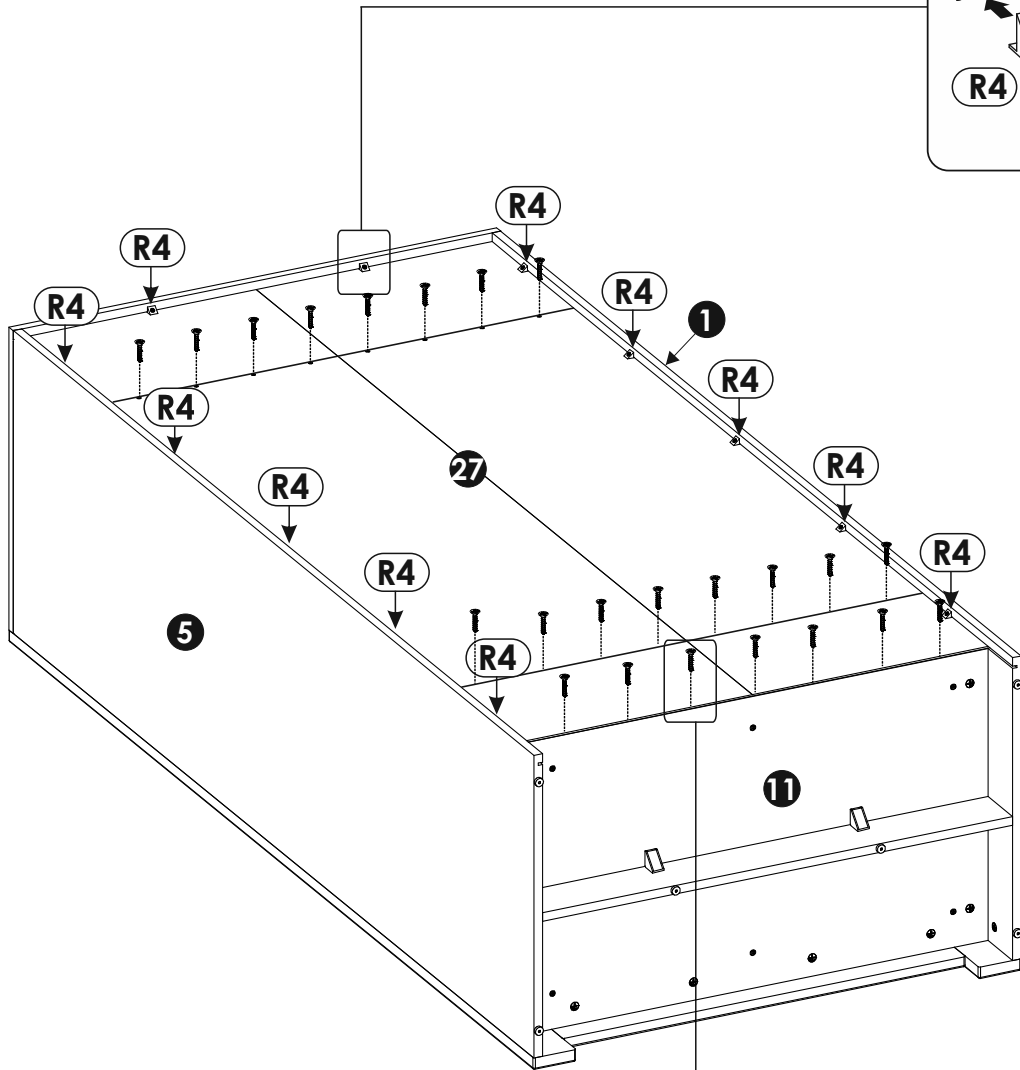
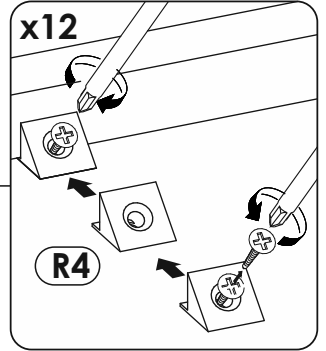
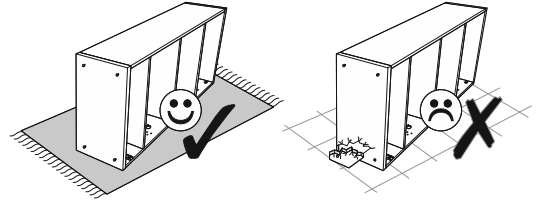
24▶



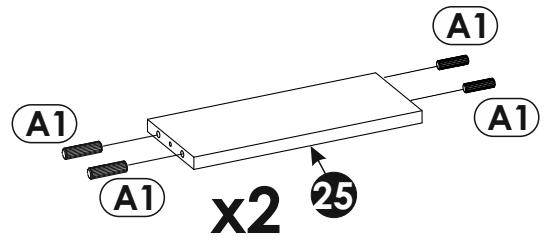
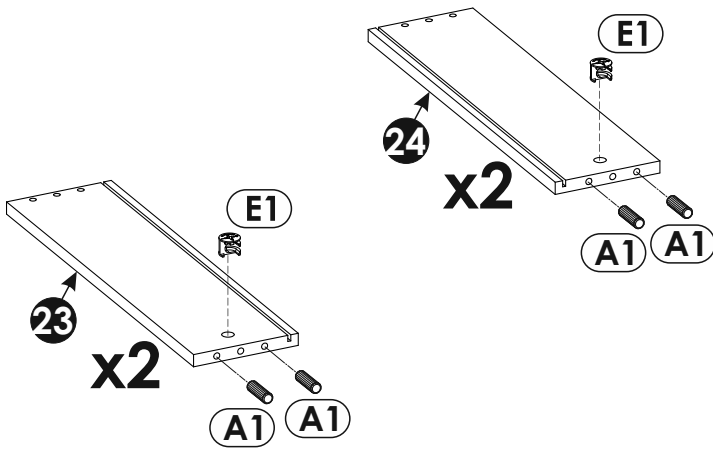
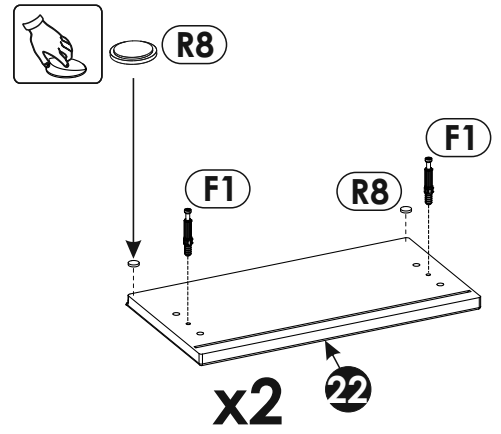
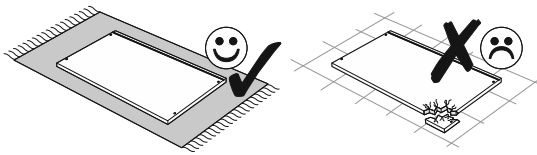
25▶

A=B

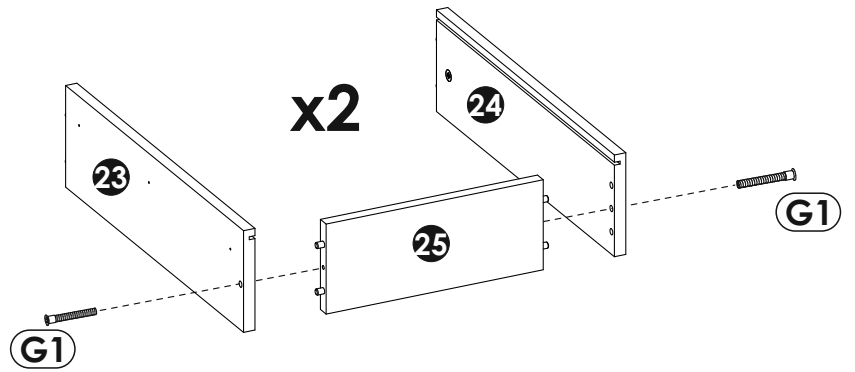
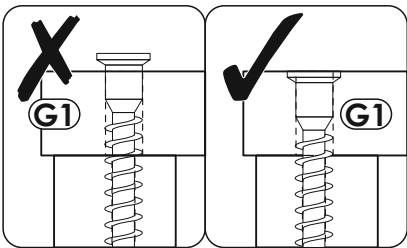
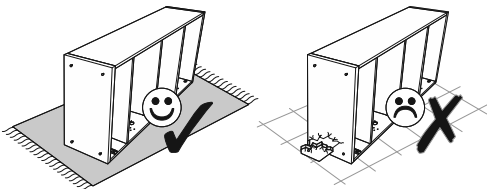




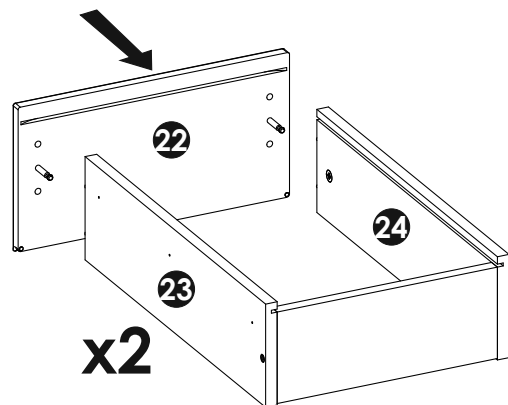
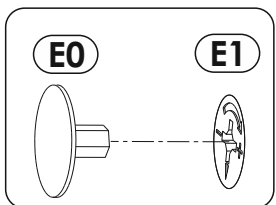
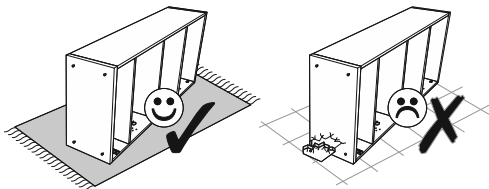
28 ▶



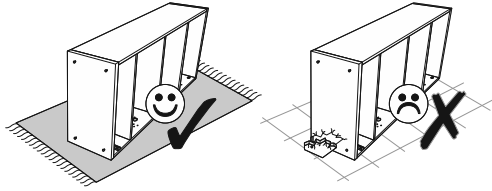
29 ▶



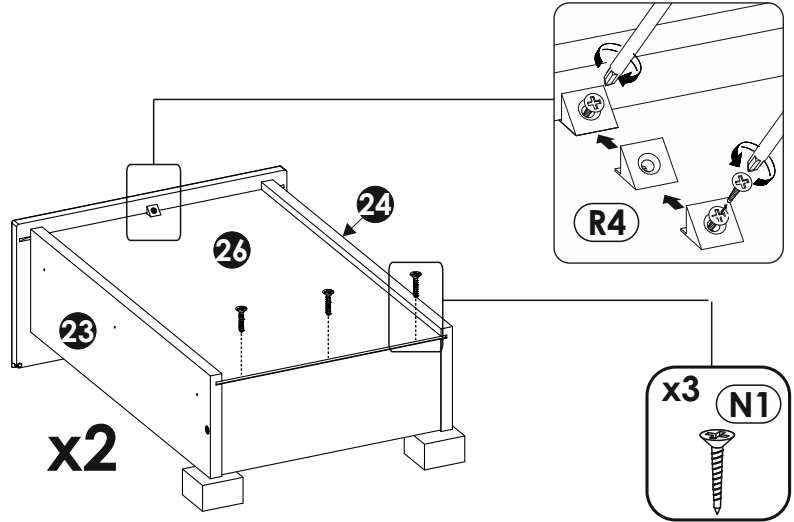
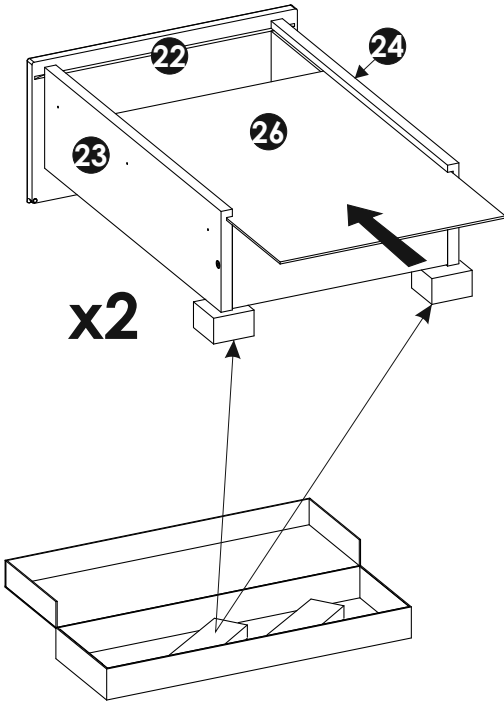
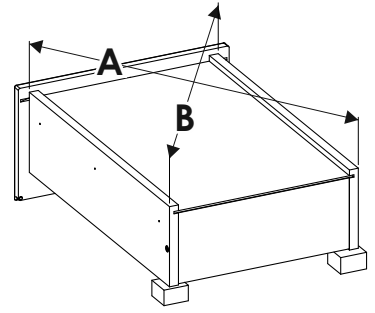
30 ▶



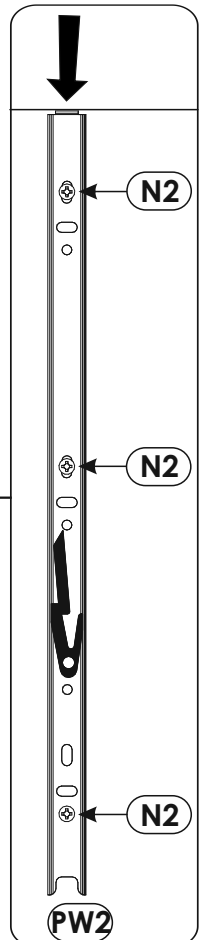
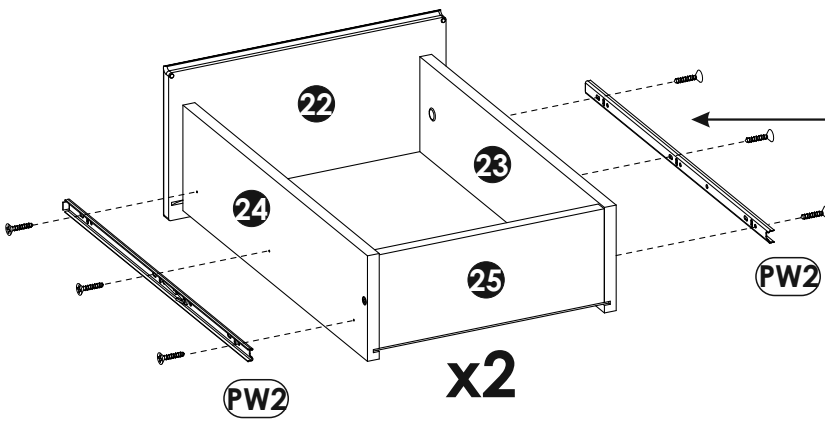
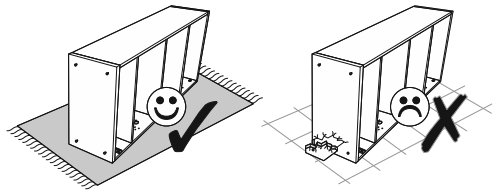
31 ▶



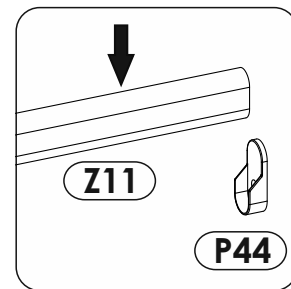
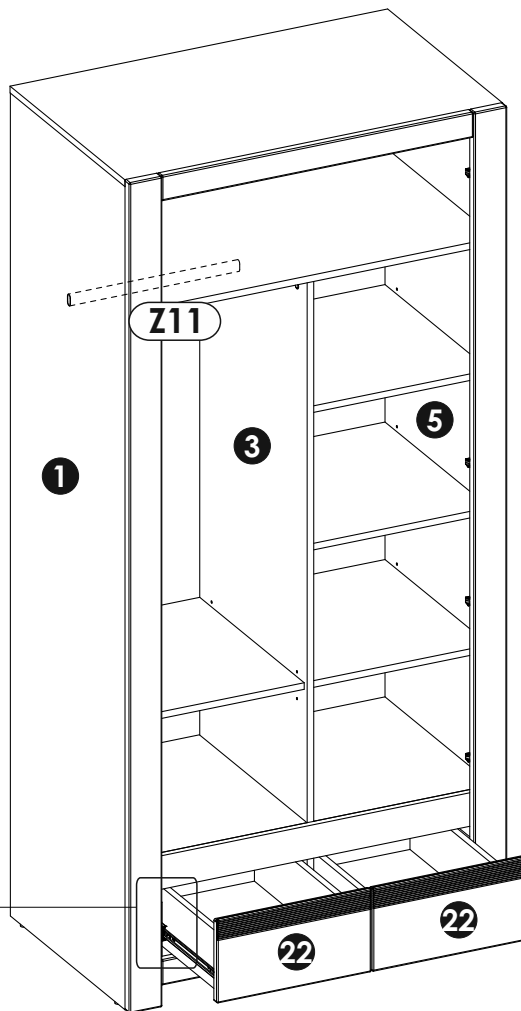
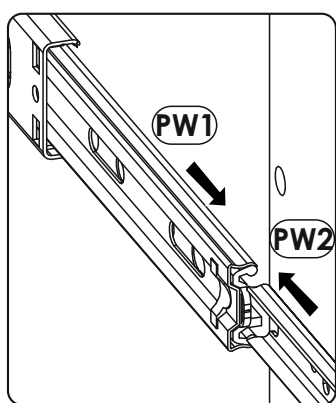
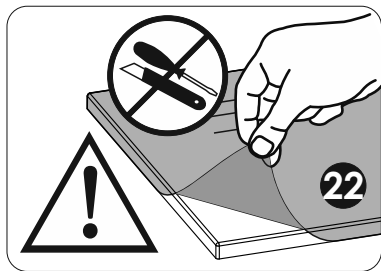
A=B



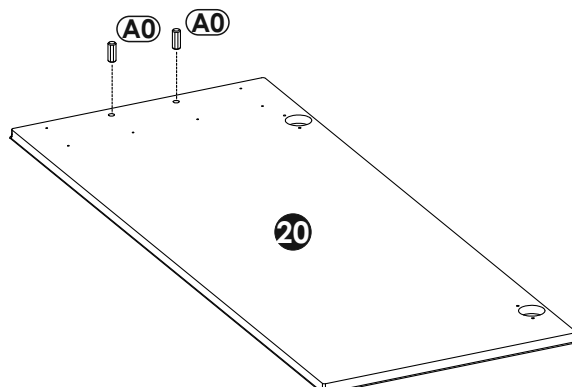
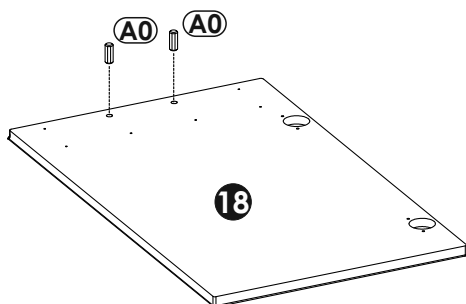
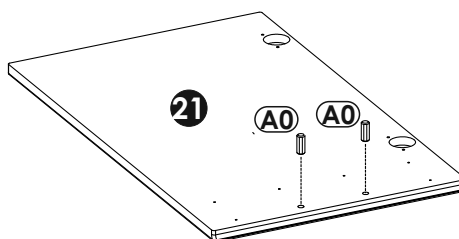
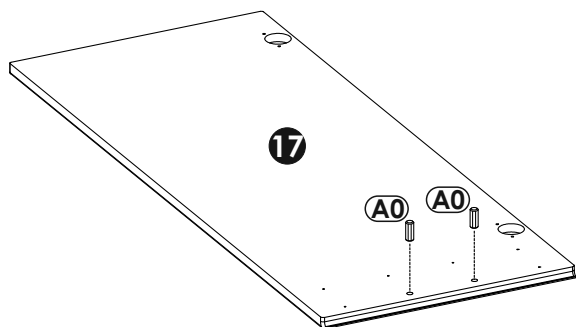
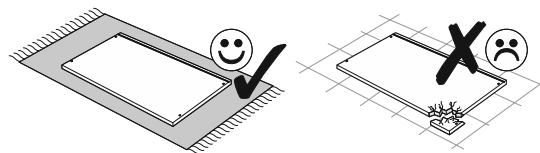
32 ▶



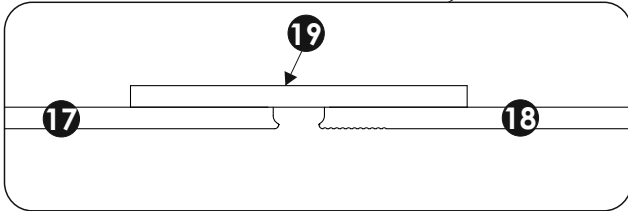
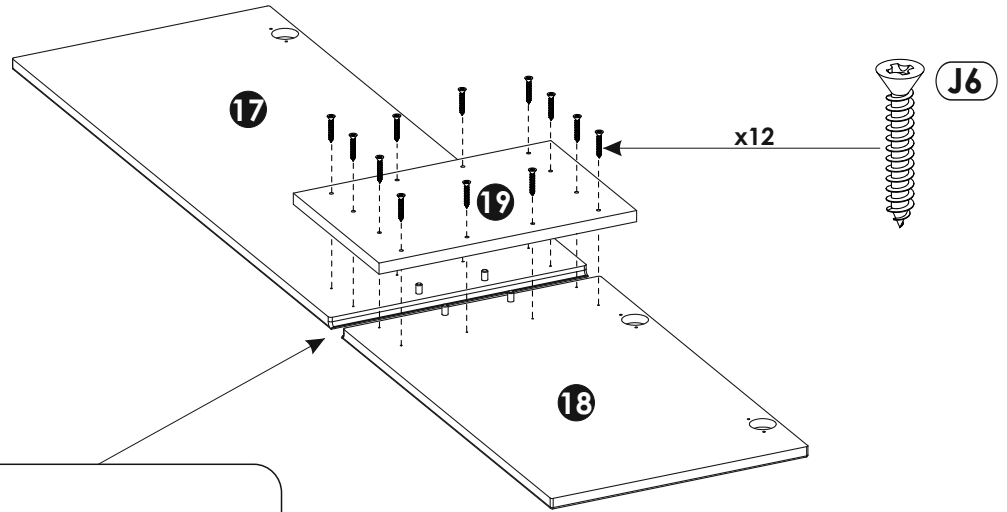
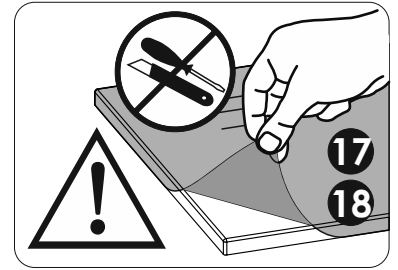
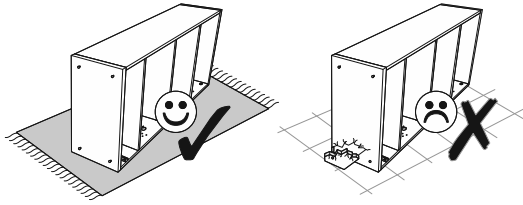
33 ▶



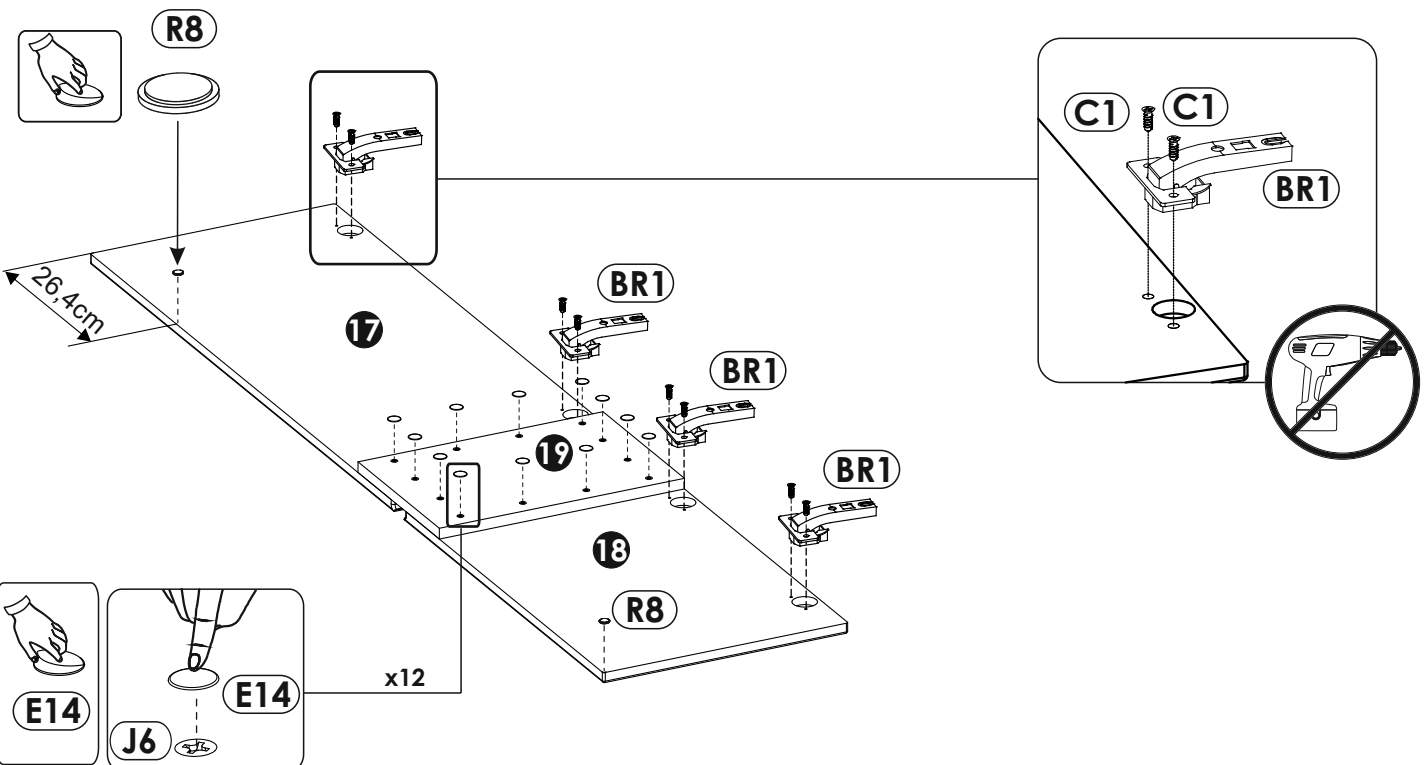
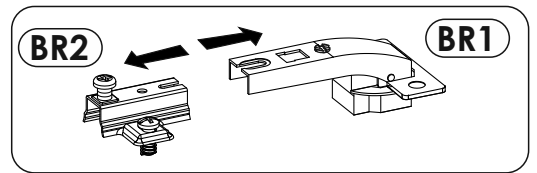
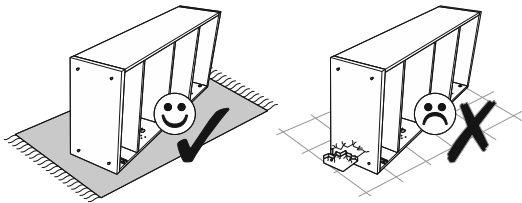
34 ▶



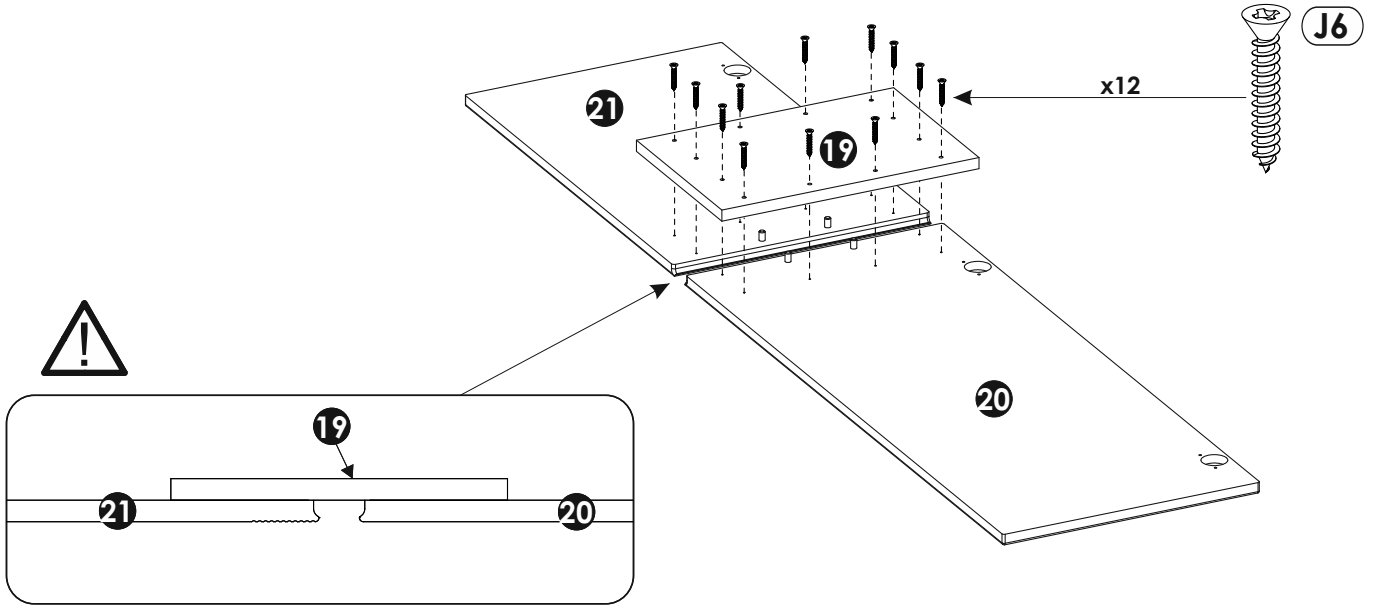
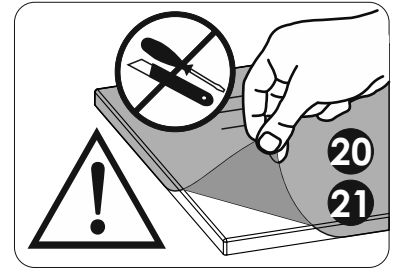
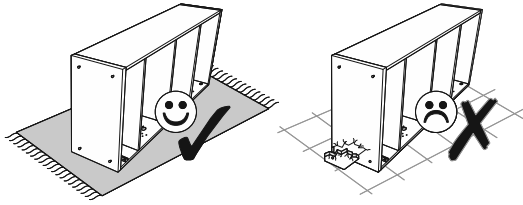
35 ▶



36 ▶



37▶



38▶

