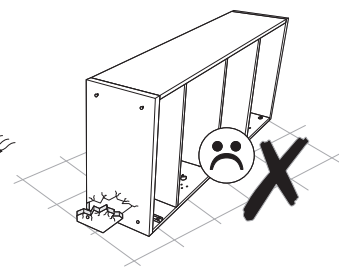
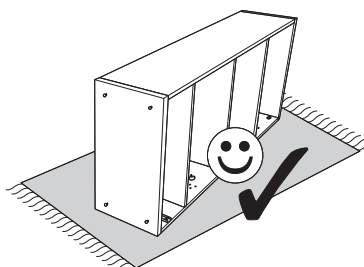
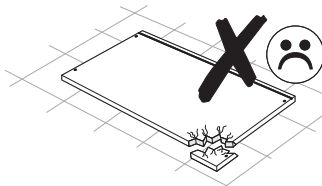
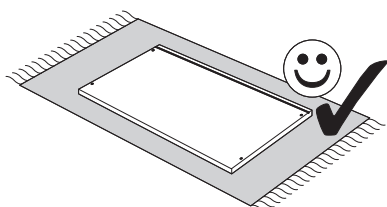
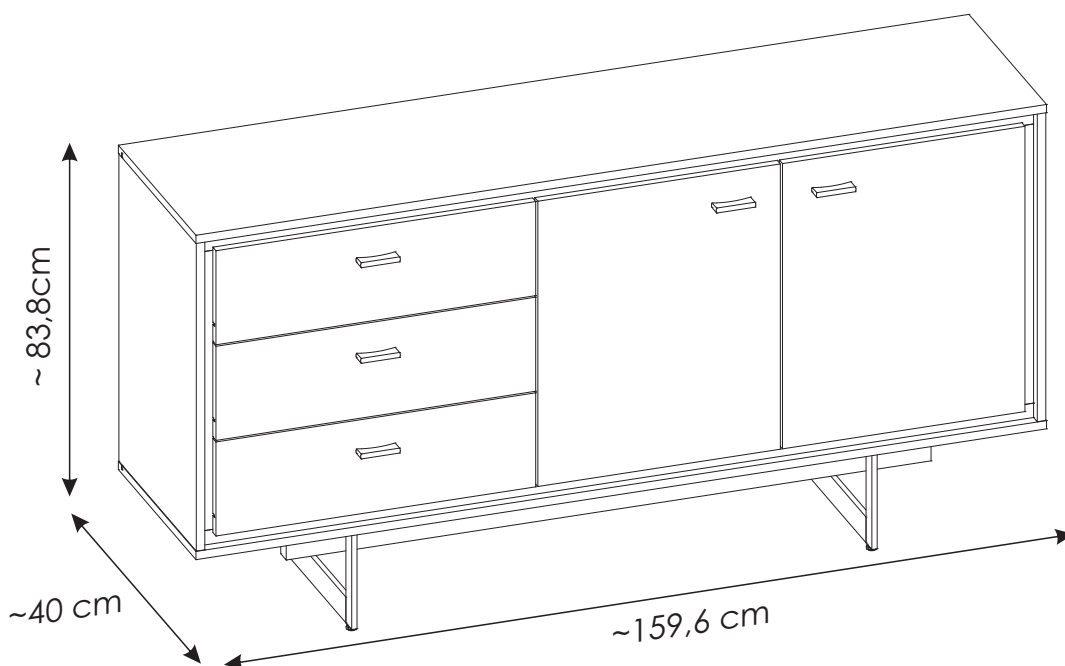
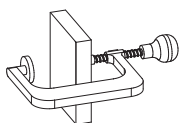
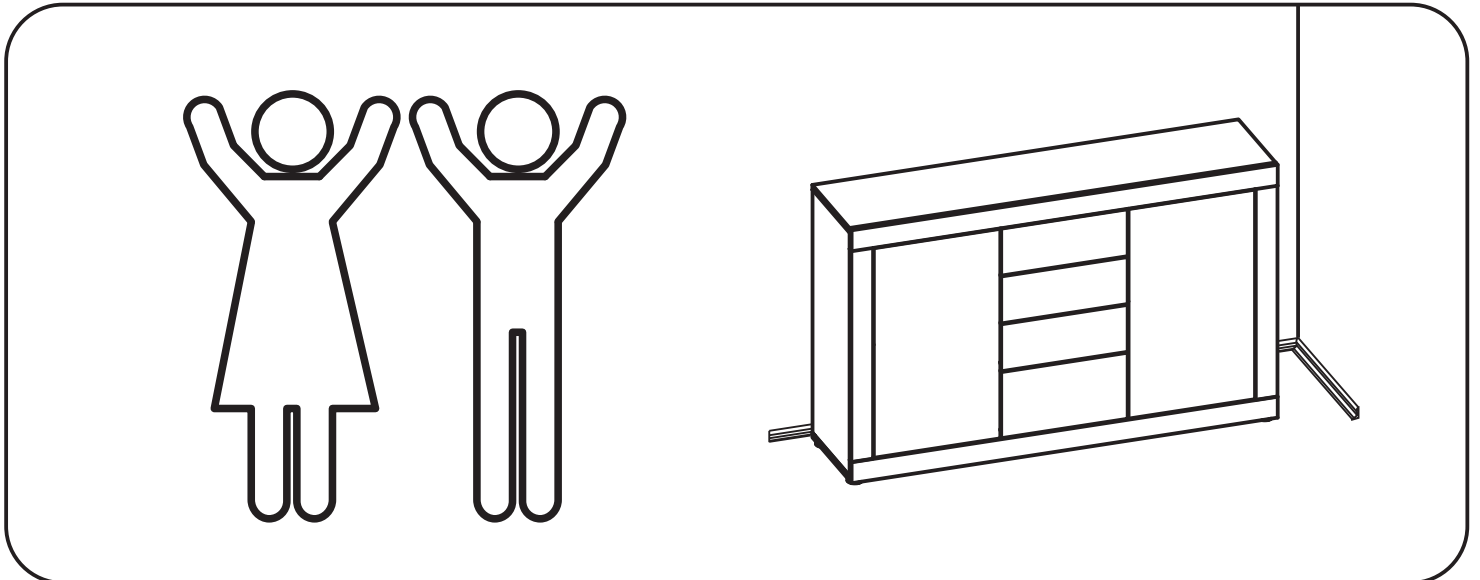
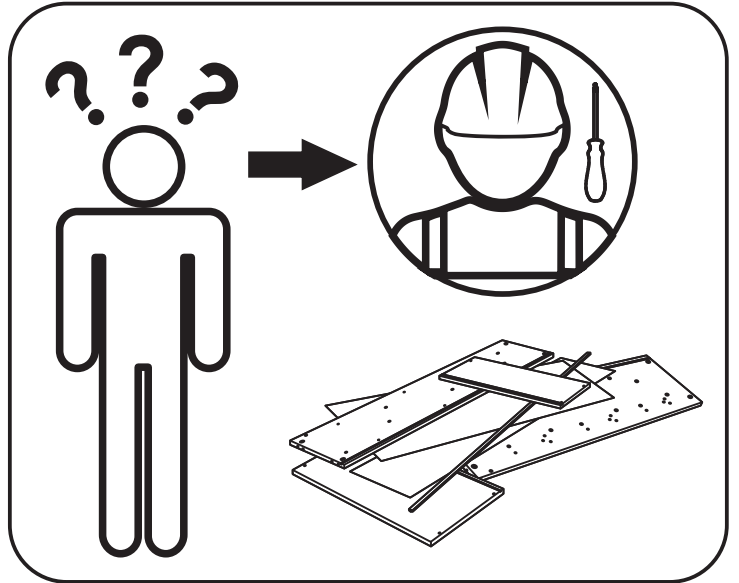
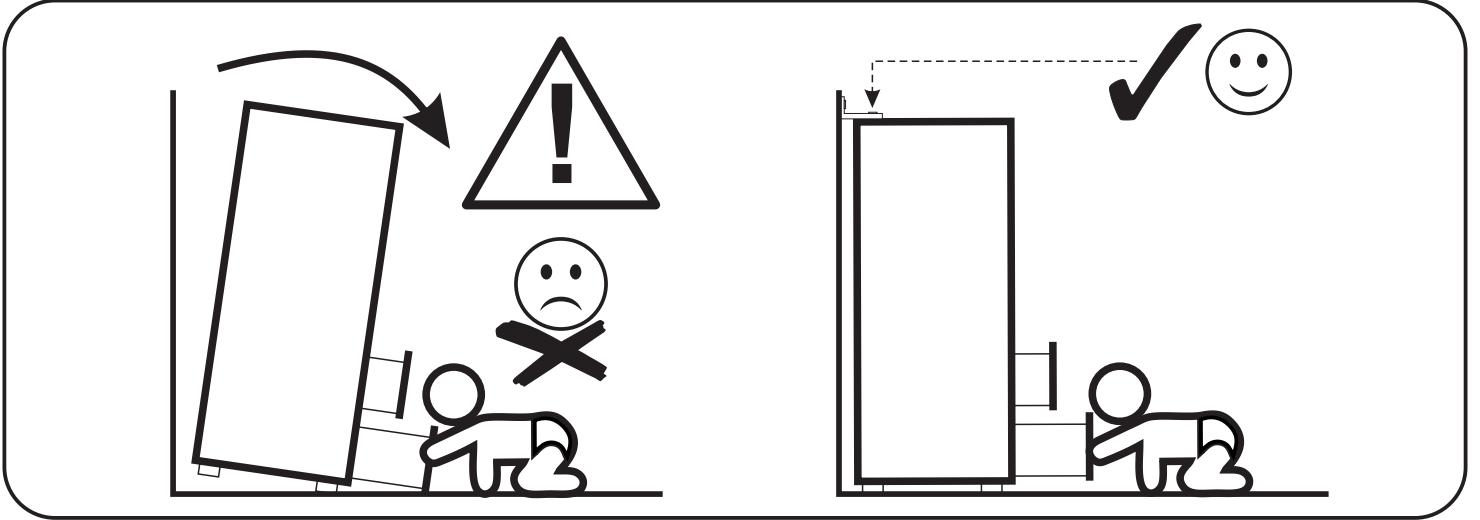
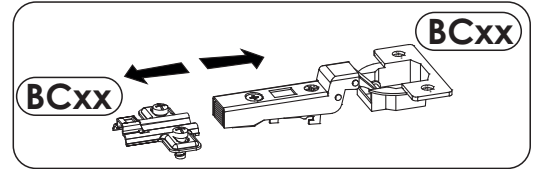
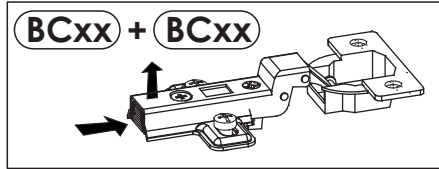
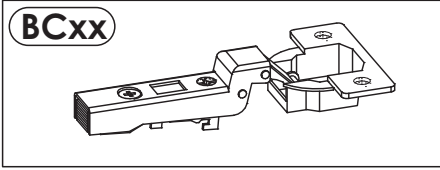
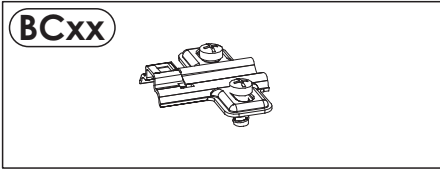


Ø8
Ø5







MM

260

250

240

230

220

210

200

190

180

170

160

150

140

130

120

110

100

90

80

70

60

50



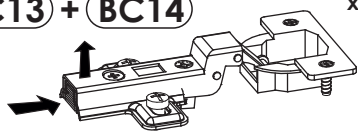
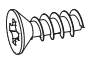
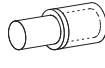
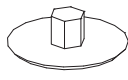

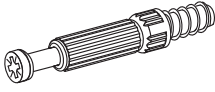
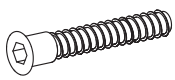
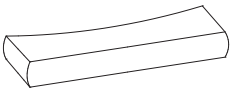
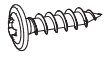
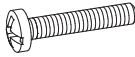
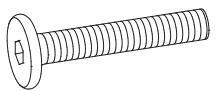
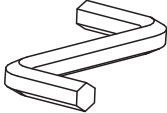


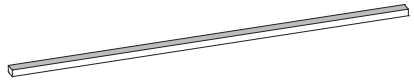
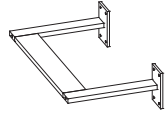
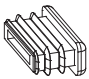
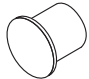

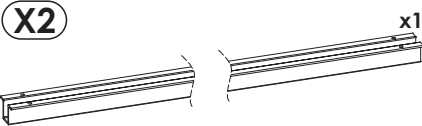
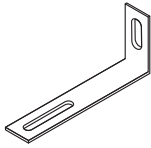
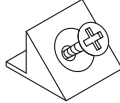
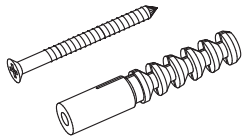
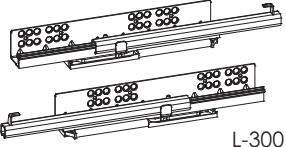
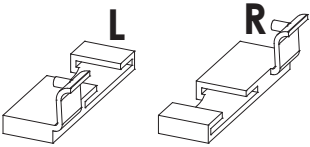
40

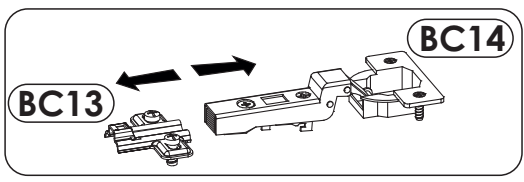
30

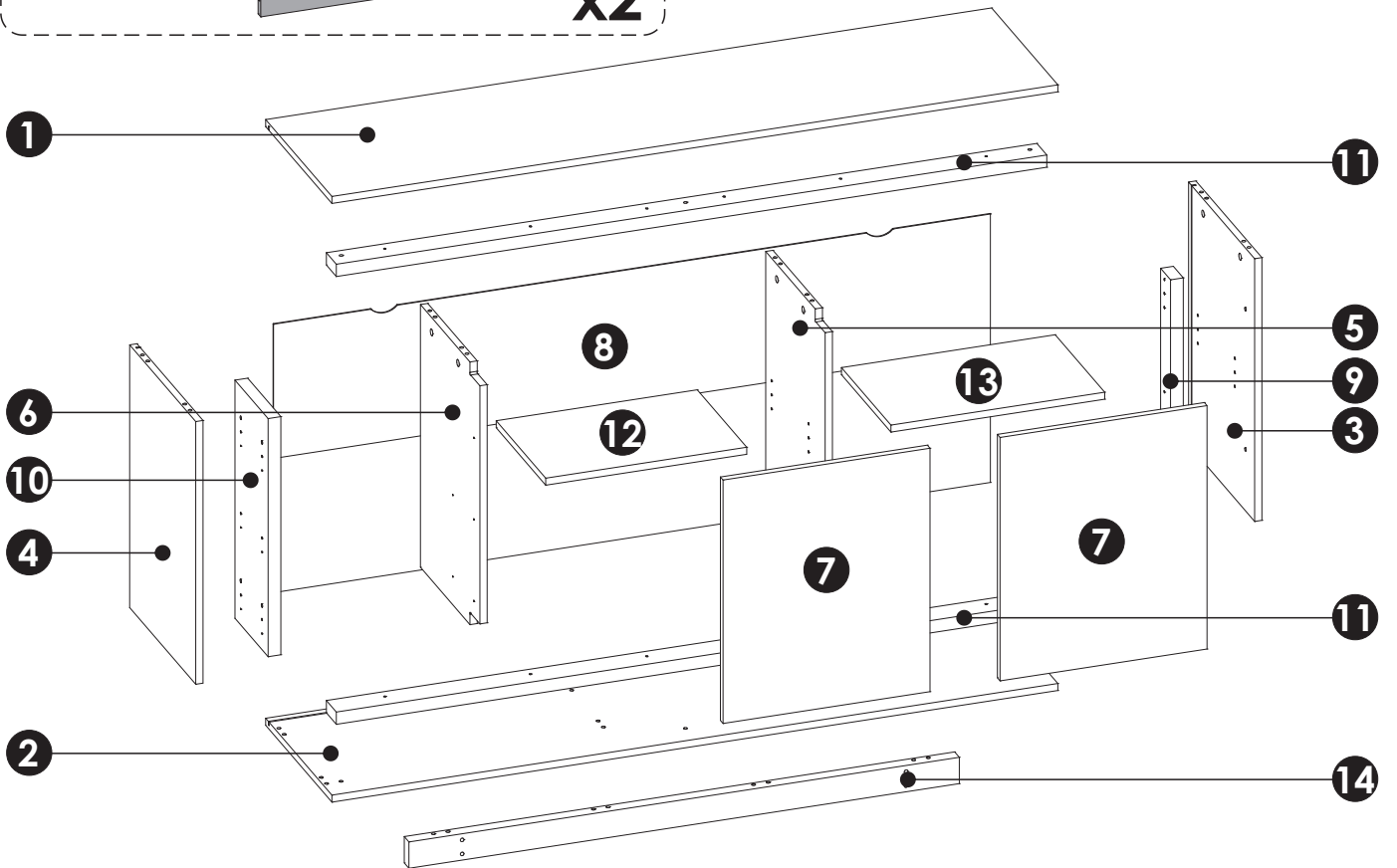
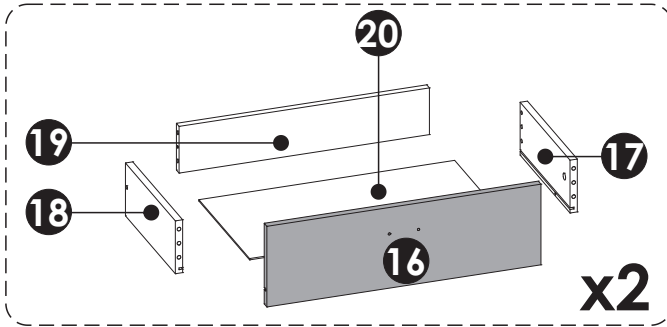
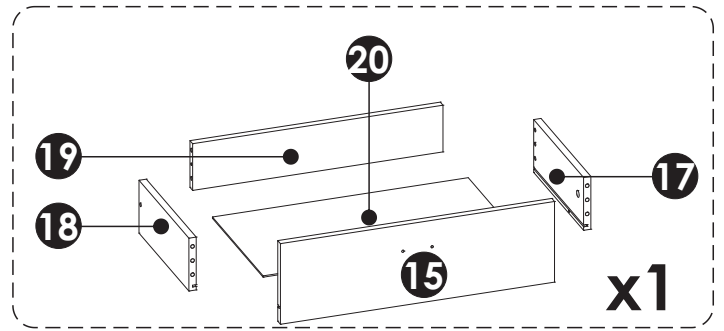
20

10

0

A1 8 x 35 mm x44 	A6 8 x 24 mm x12 	BC13 + BC14 x4 
C2 5 x 13 mm x20 	D2 x8 	E0 Ø16 x10 
E1 15 x 12 mm x18 	F1 6 x 34 mm x18 	G1 7 x 50 mm x14 
H1 x5 L-75 mm 	I2 4 x 16 mm x30 	K7 4 x 22 mm x10 
K18 6 x 35 mm x4 	M x1 	N1 3 x 16 mm x25 
N16 4 x 40 mm x21 	O2C 290 x 8 x 5 mm x1 	O3 x2 
O3a x4 	P0 x4 	P16 x11 
X2 x1 L-1200 mm 	Q9 x2 	R4 x15 
S13 x2 Ø8 	T13 x3 L-300 mm 	TZ L R x3 

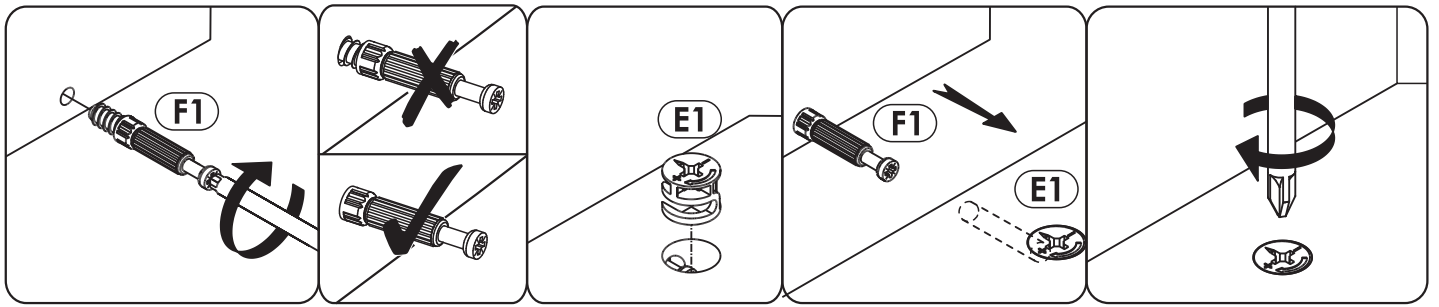




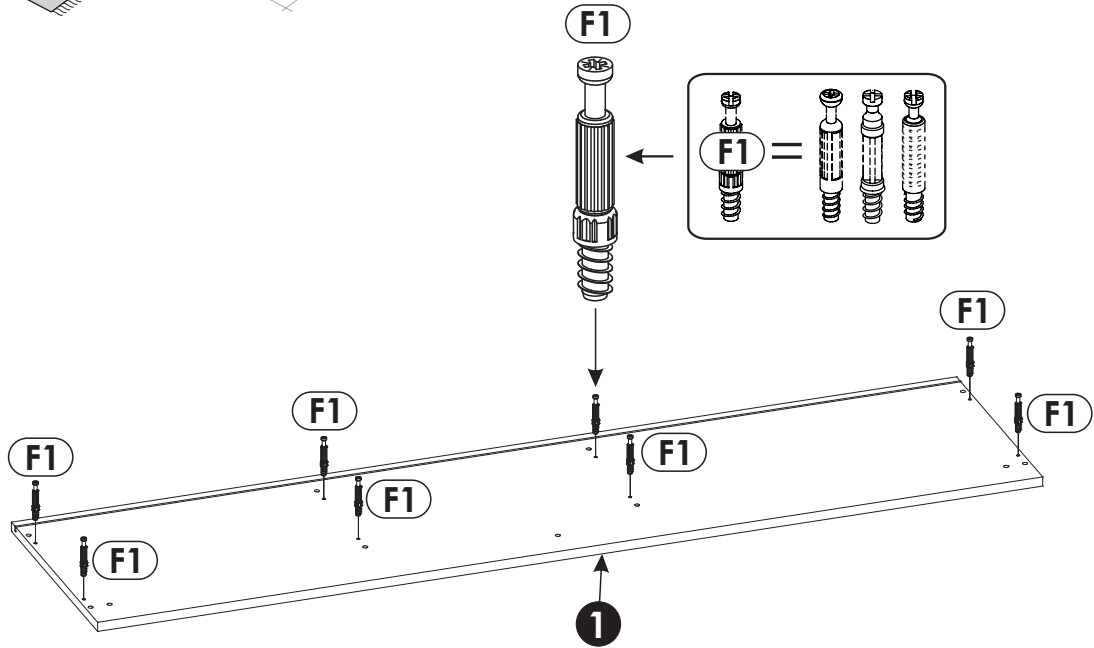
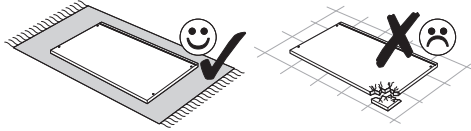
1	1596	400	16	x1	2/2
2	1596	400	16	x1	2/2
3	599	399	16	x1	1/2
4	599	399	16	x1	1/2
5	599	359	16	x1	1/2
6	599	359	16	x1	1/2
7	555	455	16	x2	1/2
8	1576	612	3	x1	2/2

9	542	60	28	x1	2/2
10	542	200	28	x1	2/2
11	1562	60	28	x2	2/2
12	442	299	16	x1	1/2
13	470	299	16	x1	1/2
14	1210	60	28	x1	2/2
15	600	183	16	x1	1/2
16	600	183	16	x2	1/2

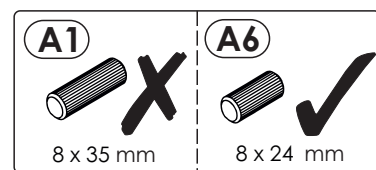
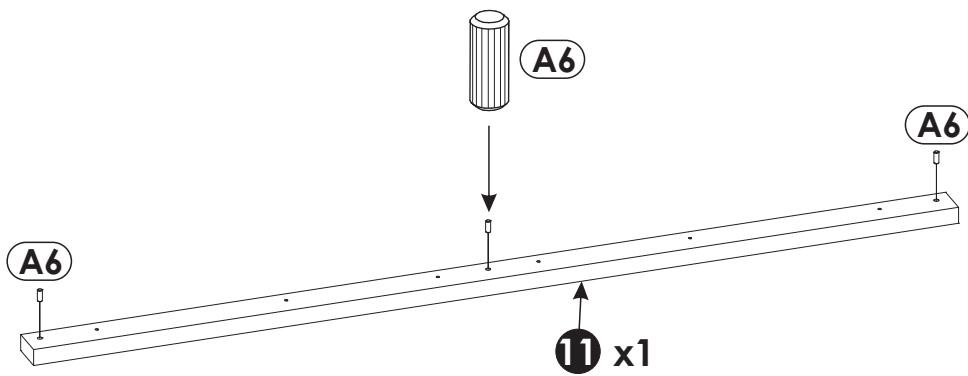
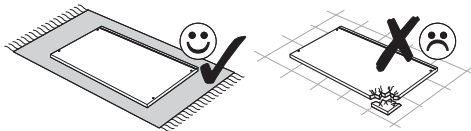
17	300	120	16	x3	1/2
18	300	120	16	x3	1/2
19	548	106	16	x3	1/2
20	560	305	3	x3	1/2

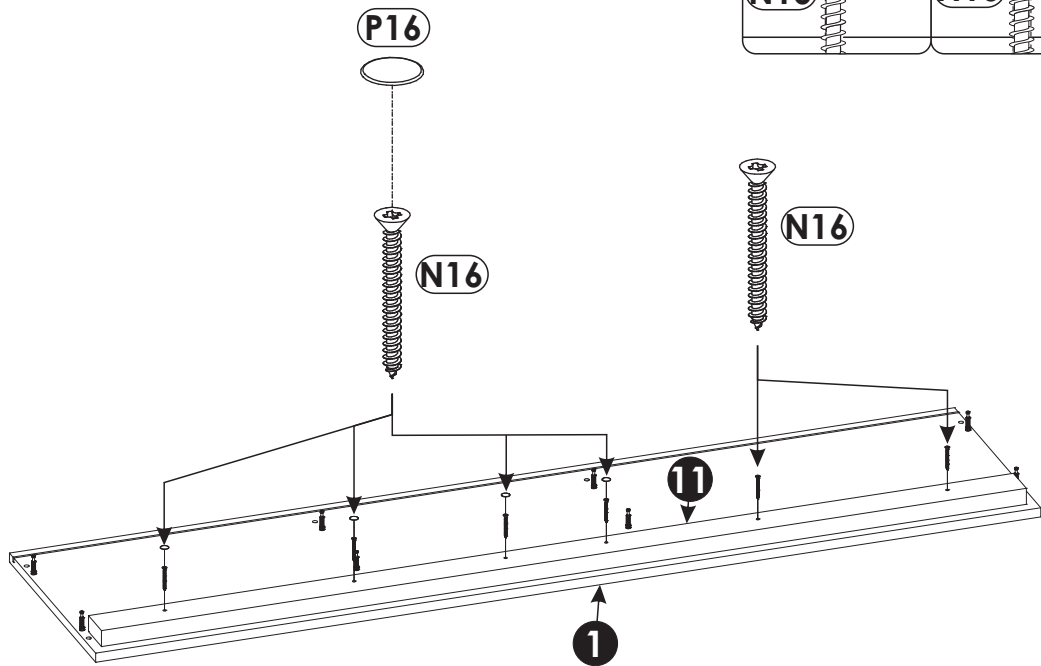
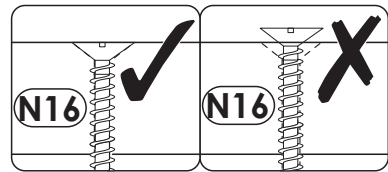
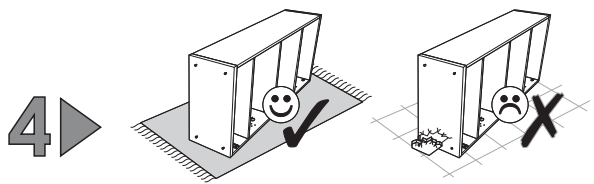
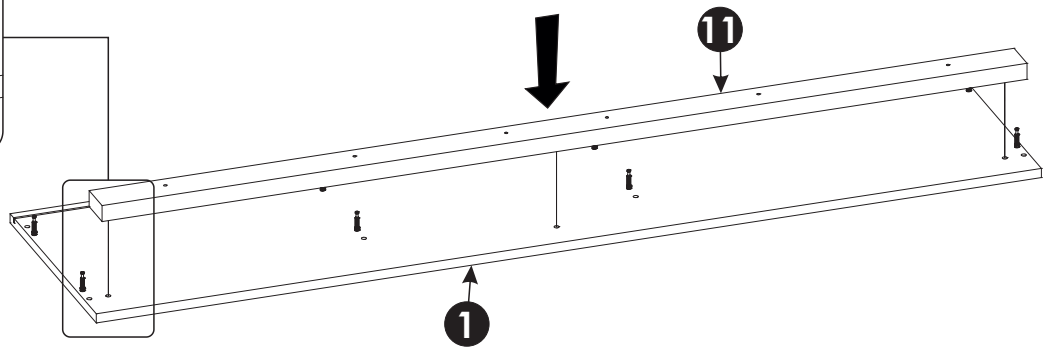
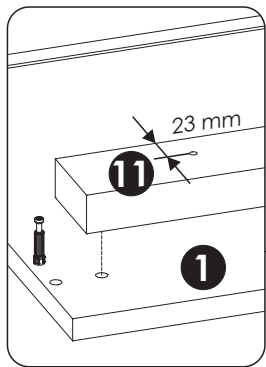
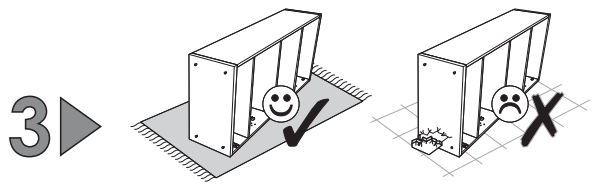


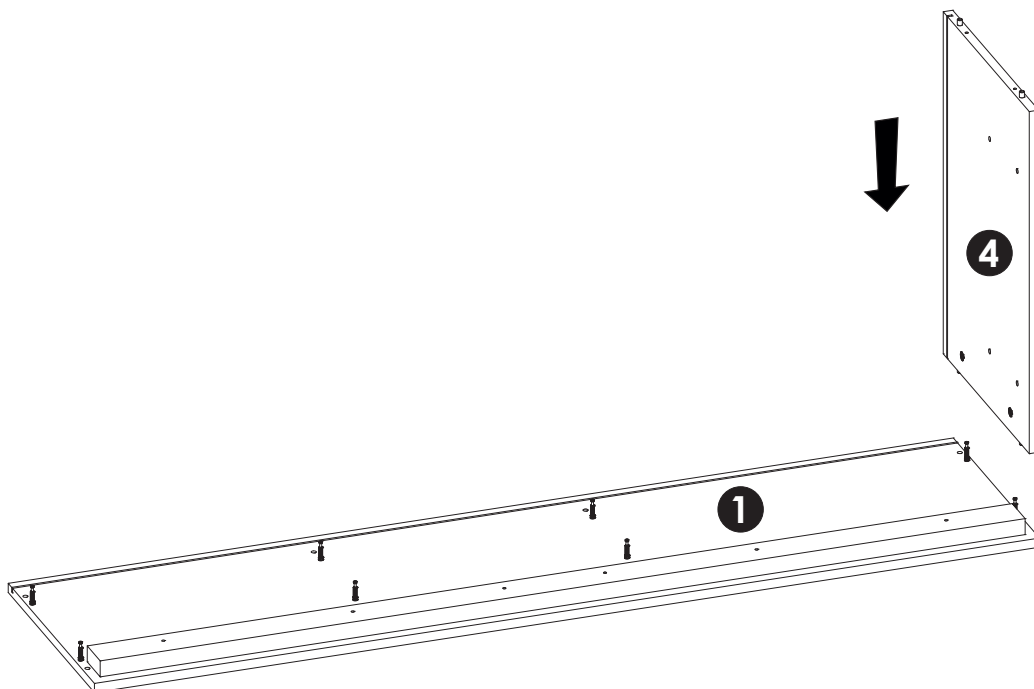
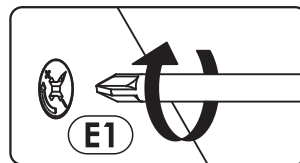
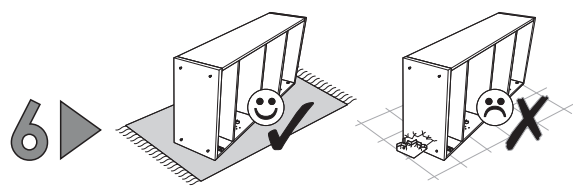
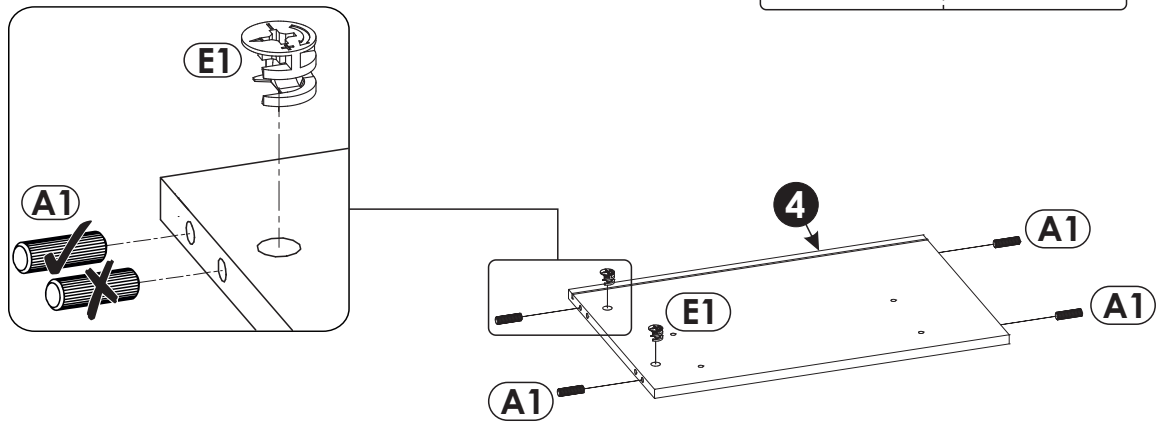
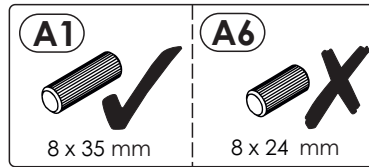
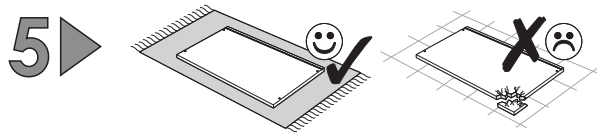
1 ▶



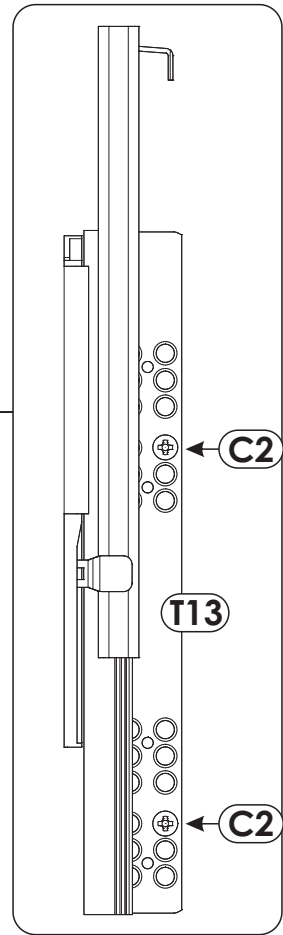
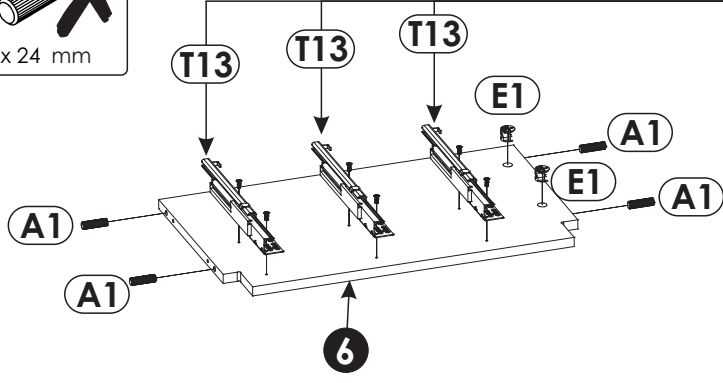
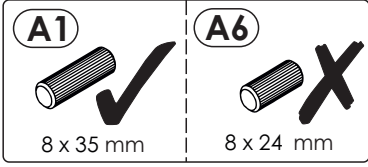
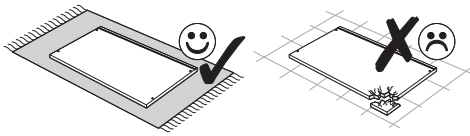
2 ▶



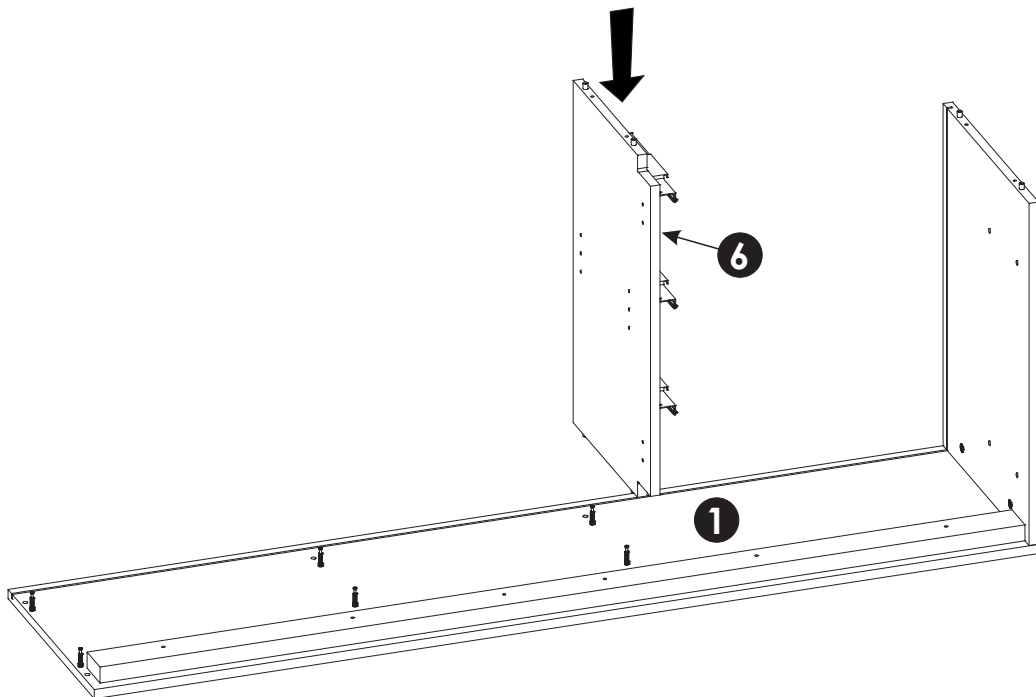
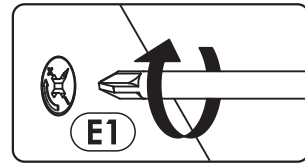
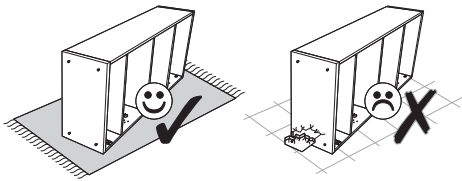




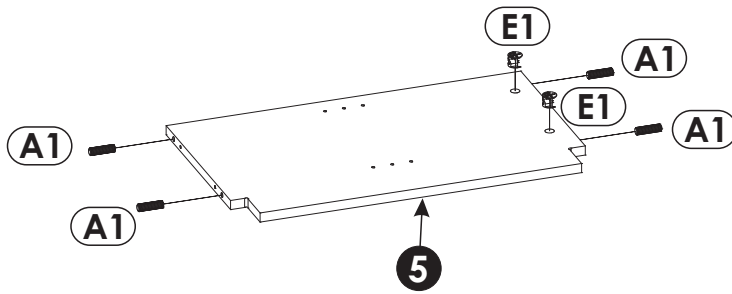
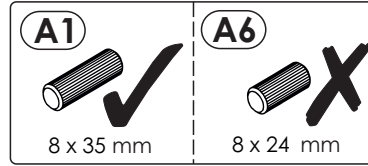
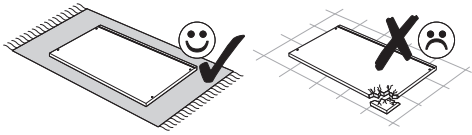
7 ▶



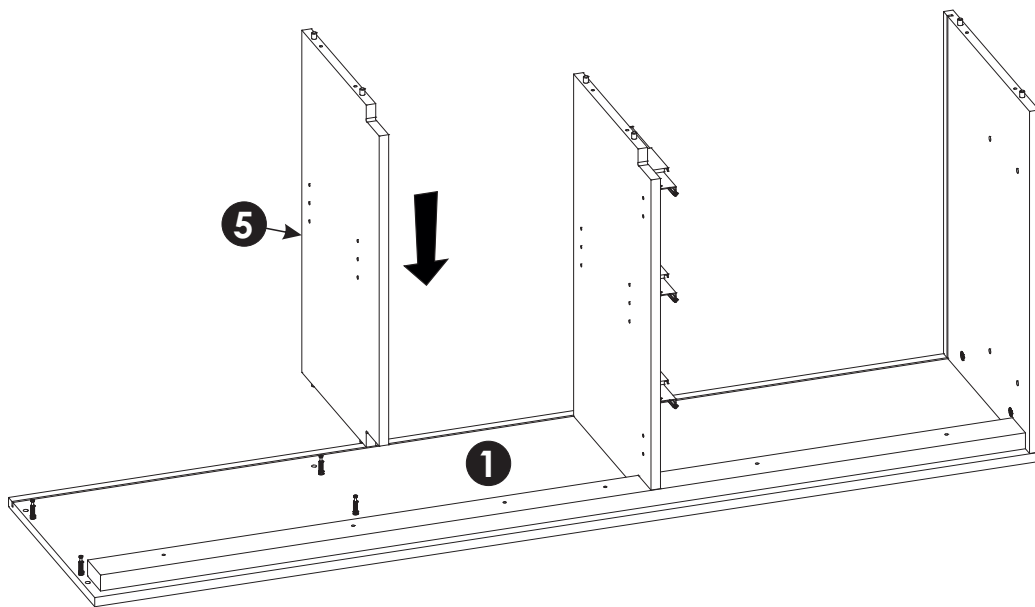
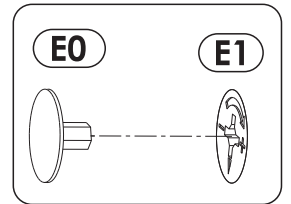
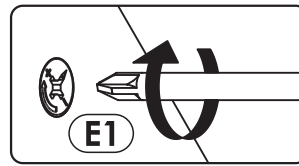
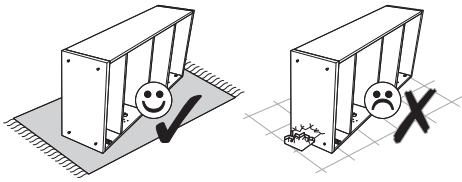
8 ▶



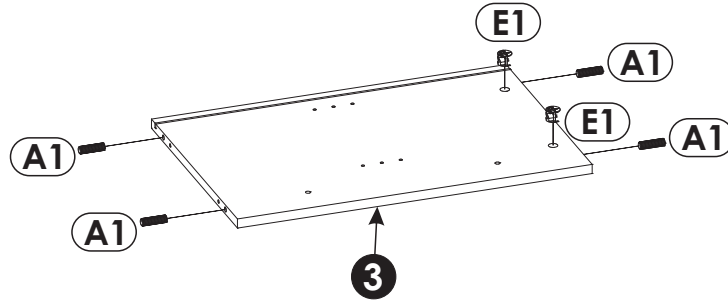
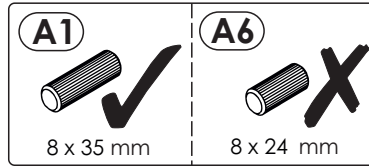
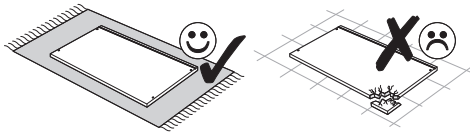
9 ▶



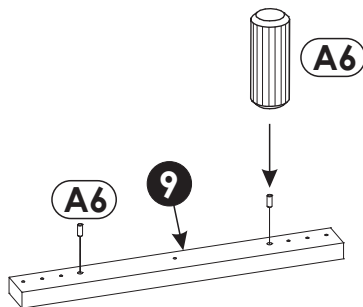
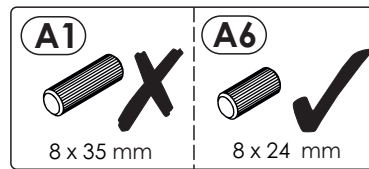
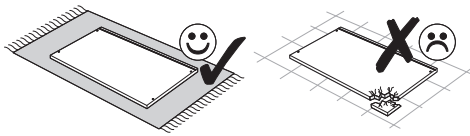
10 ▶

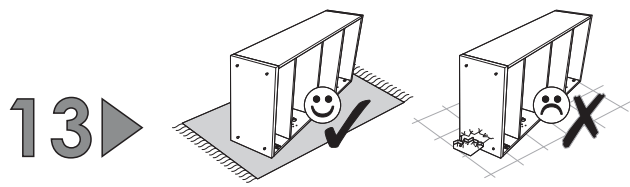


11 ▶

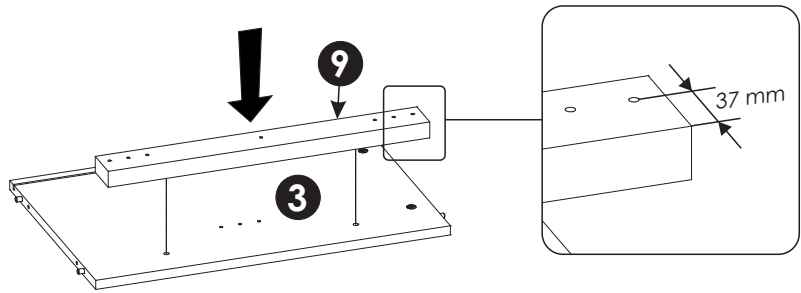


12 ▶

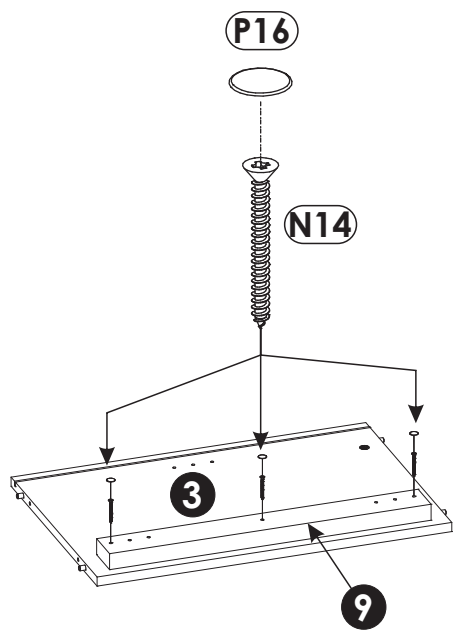




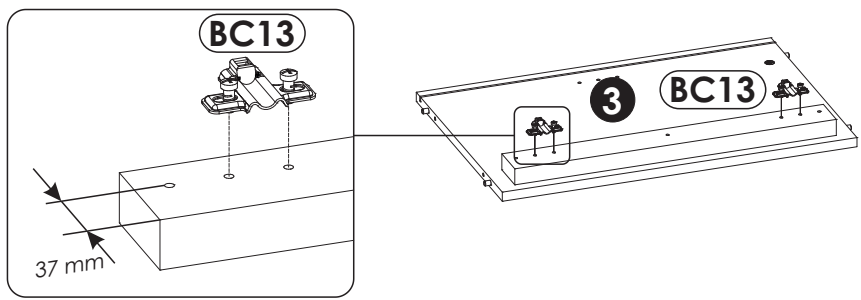
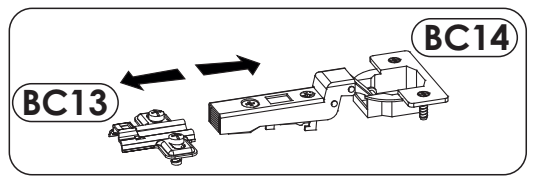
a)



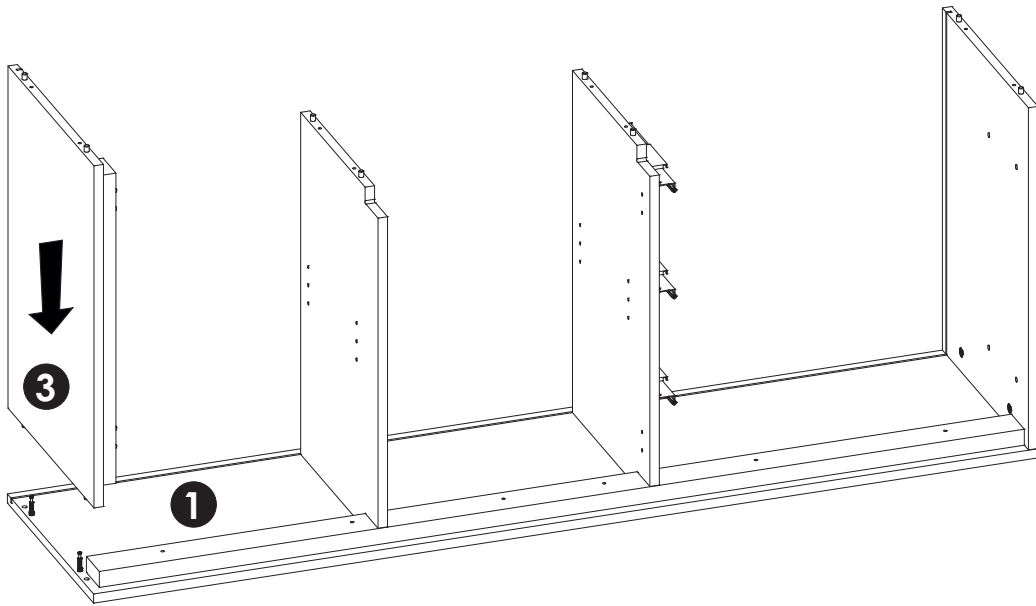
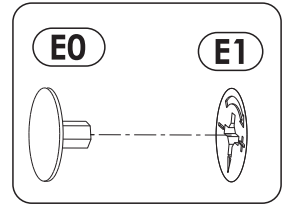
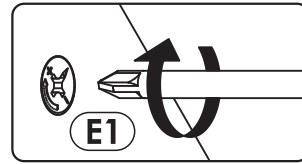
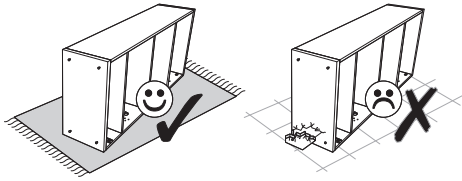
b)



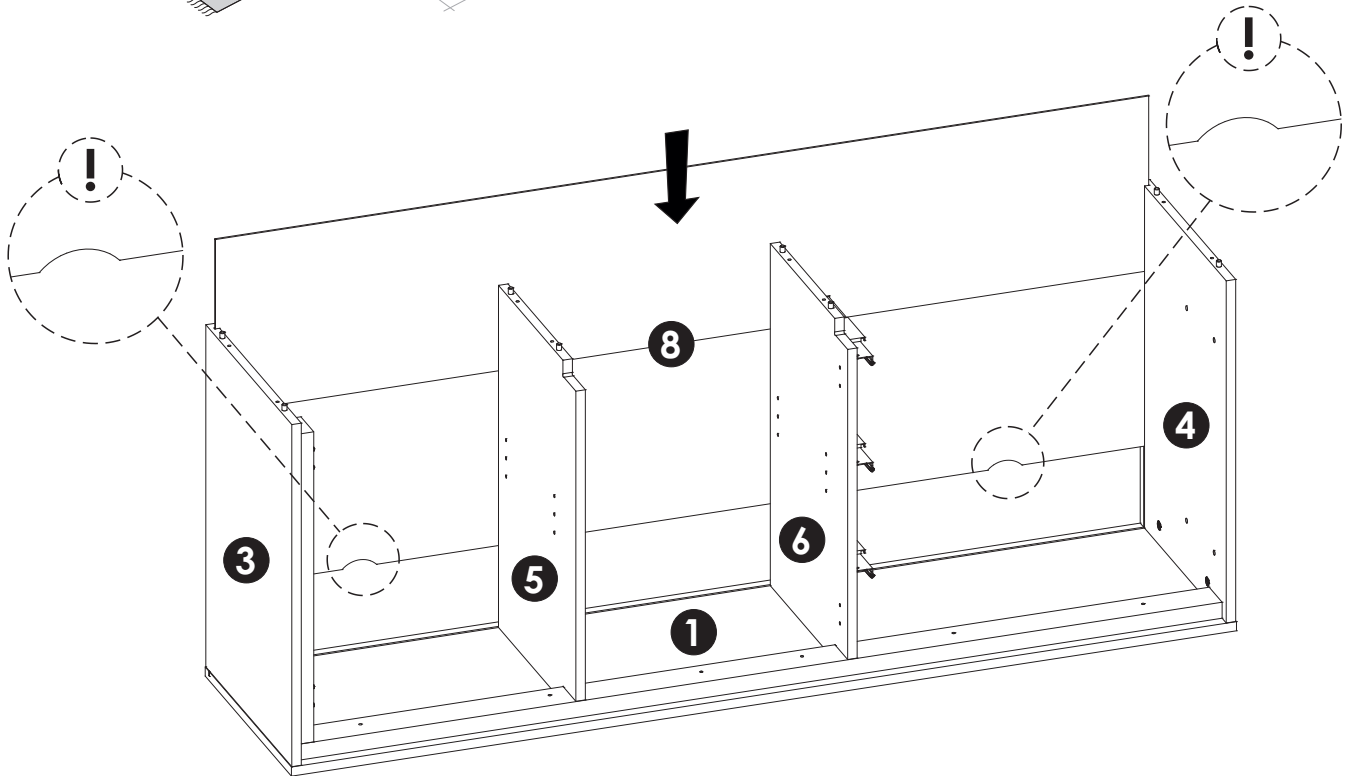
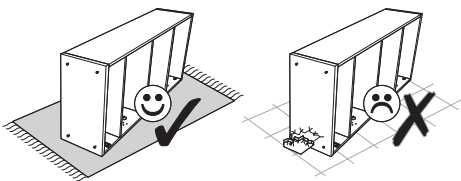
c)



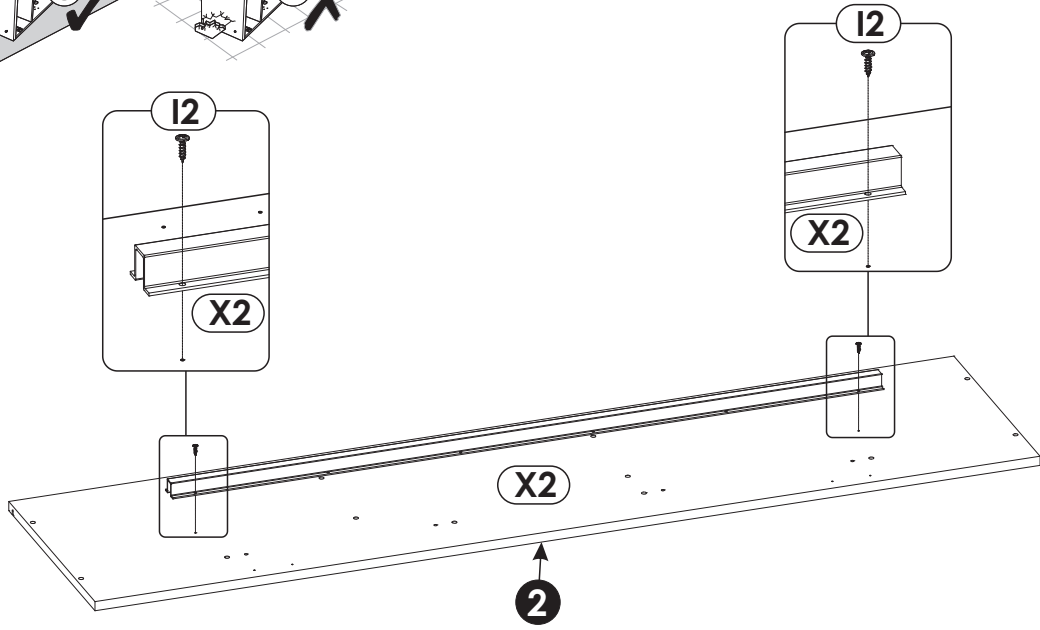
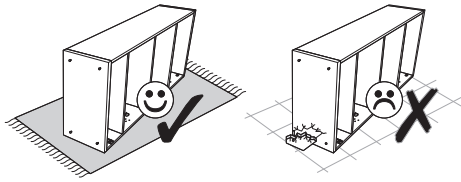
14▶



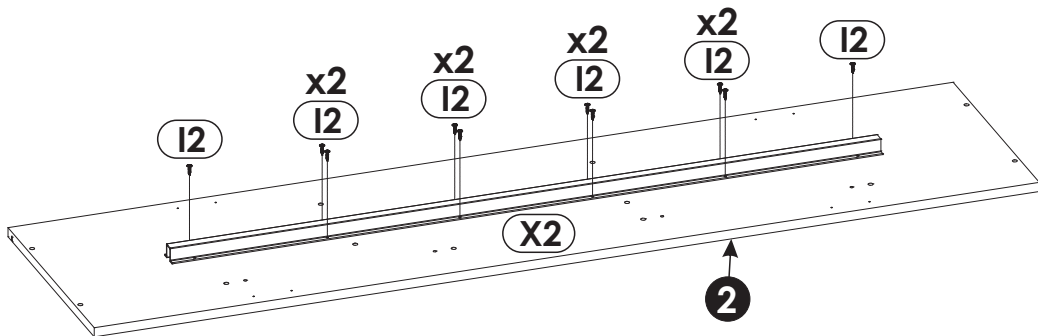
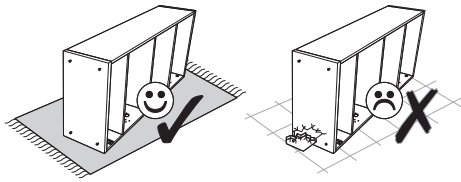
15▶



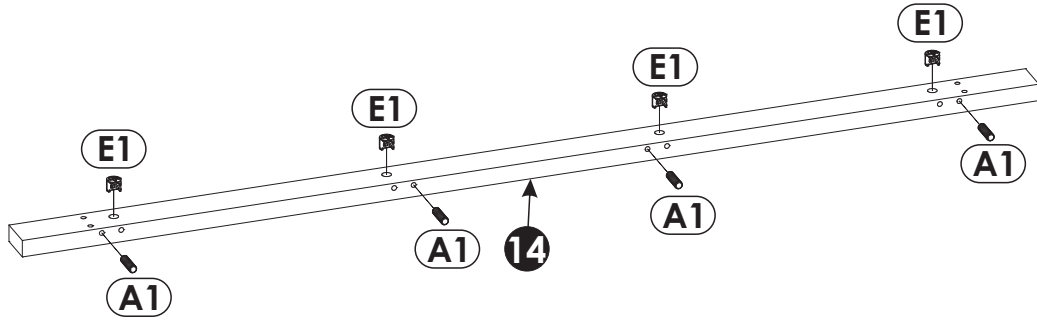
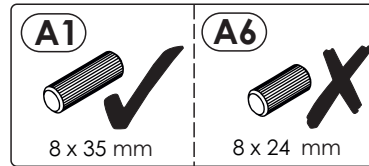
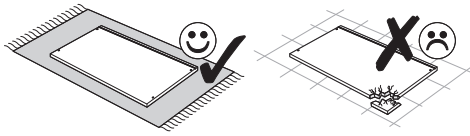
16 ▶



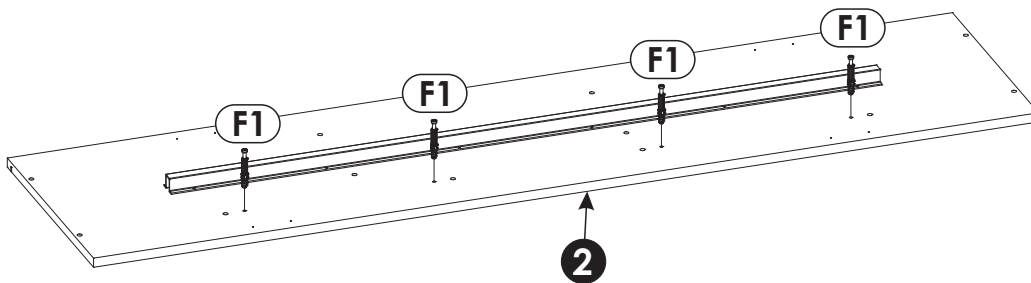
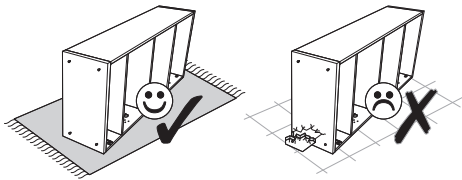
17 ▶



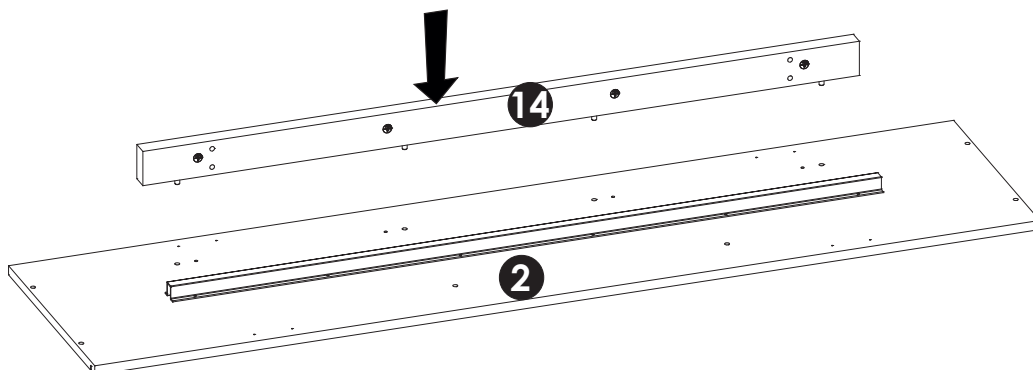
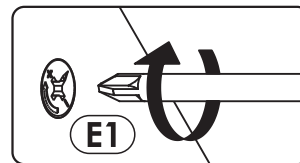
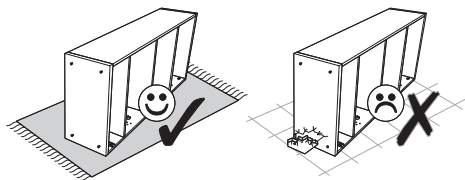
18▶



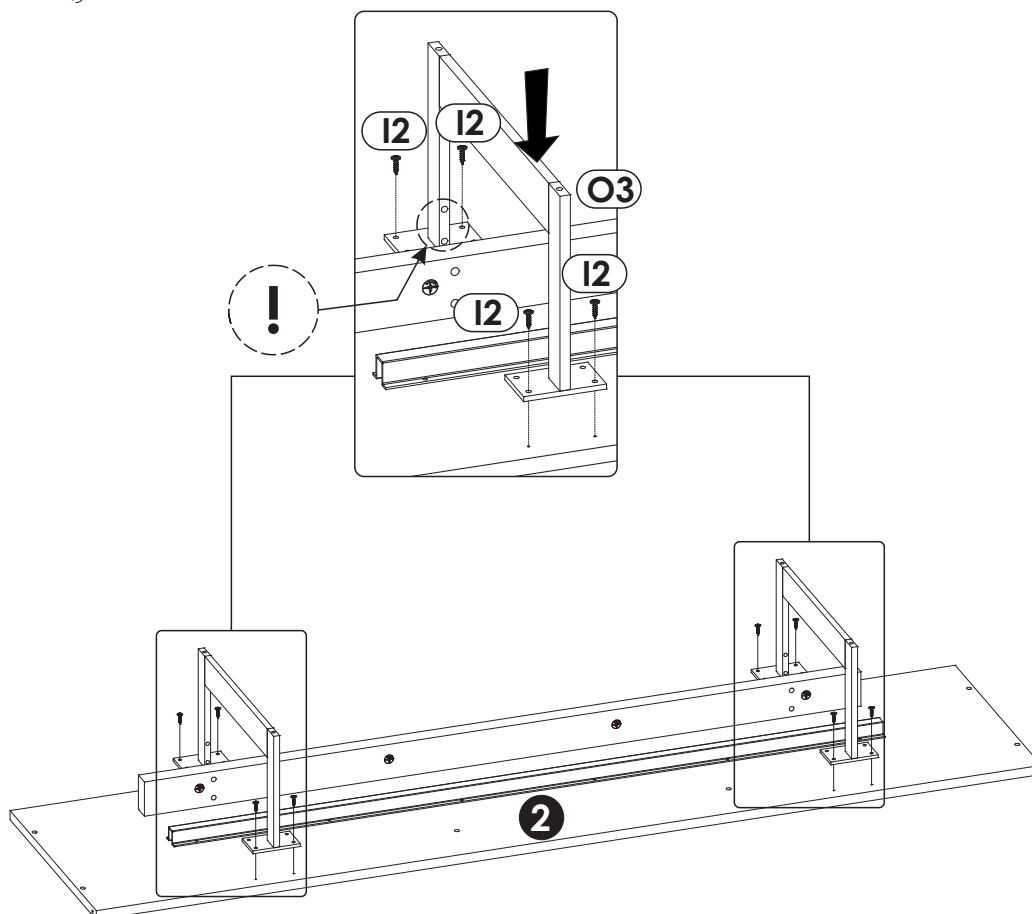
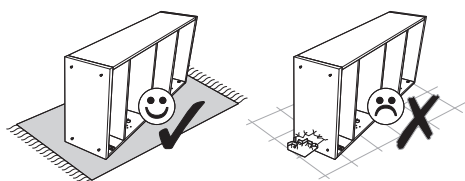
19▶



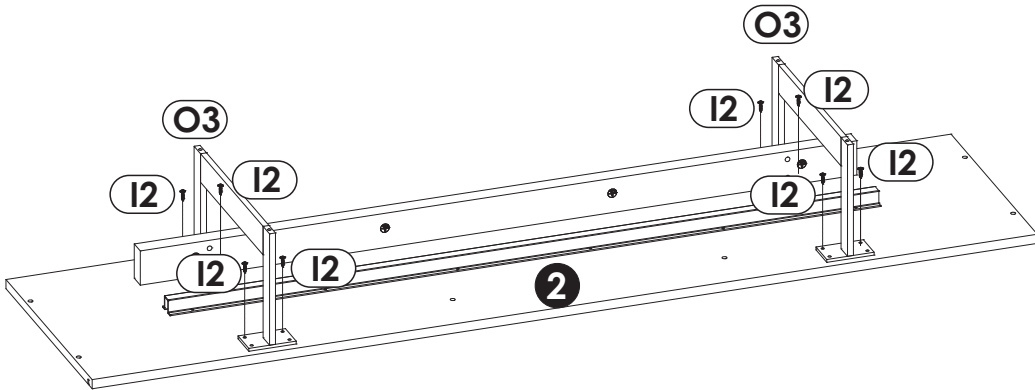
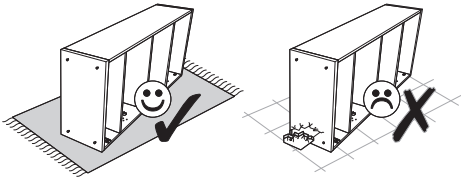
20 ▶



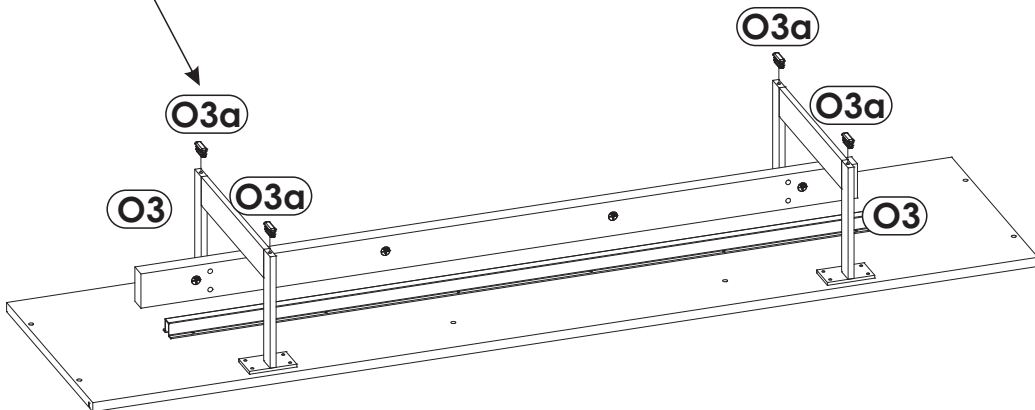
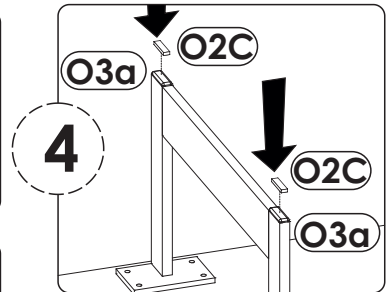
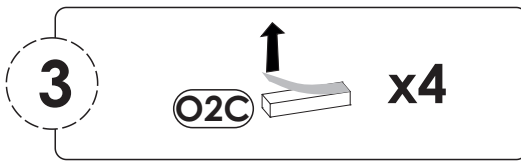
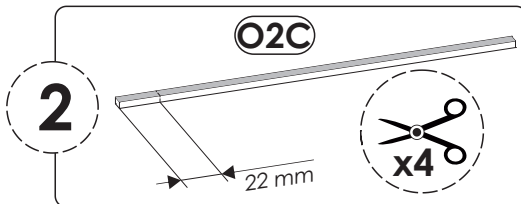
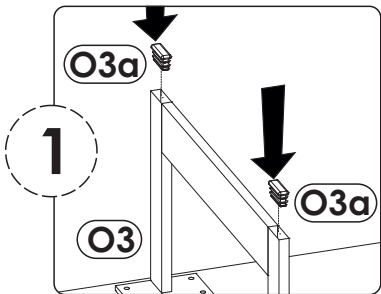
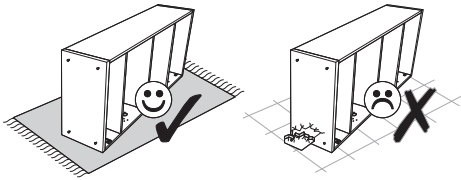
21 ▶

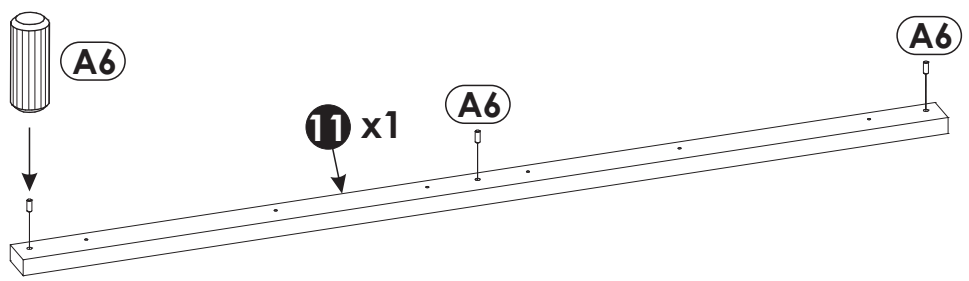
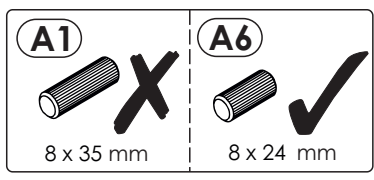
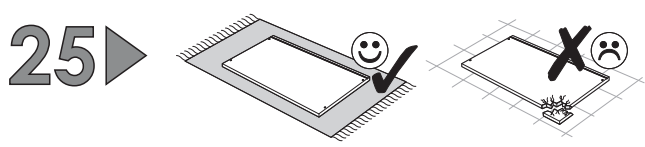
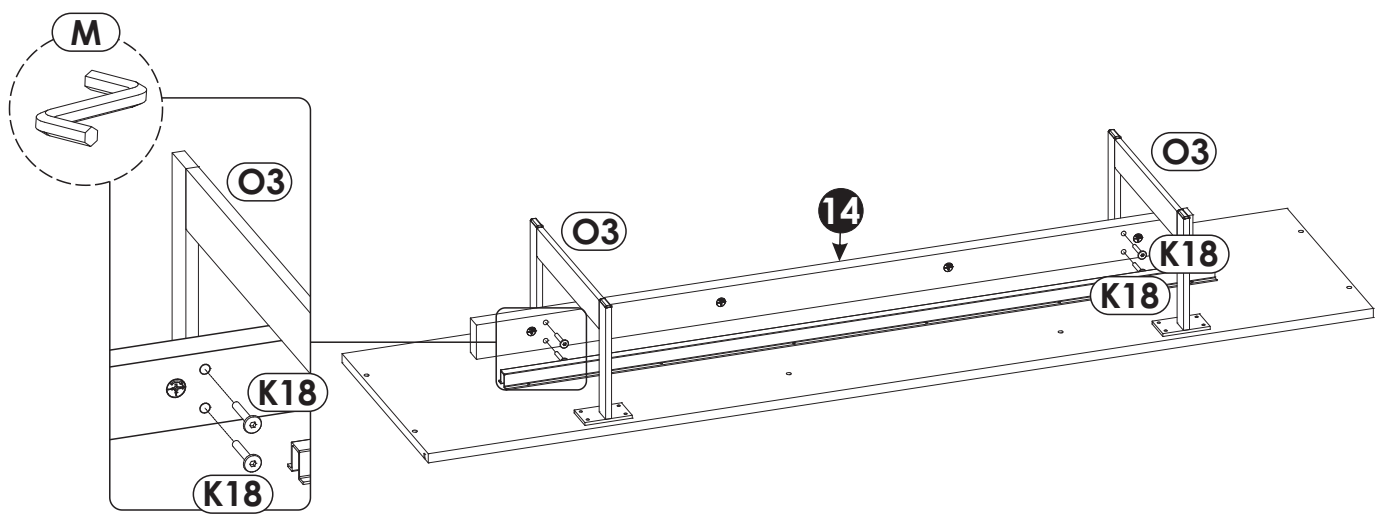
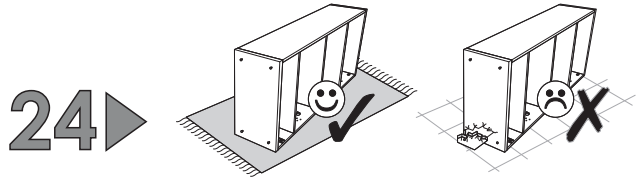


22 ▶

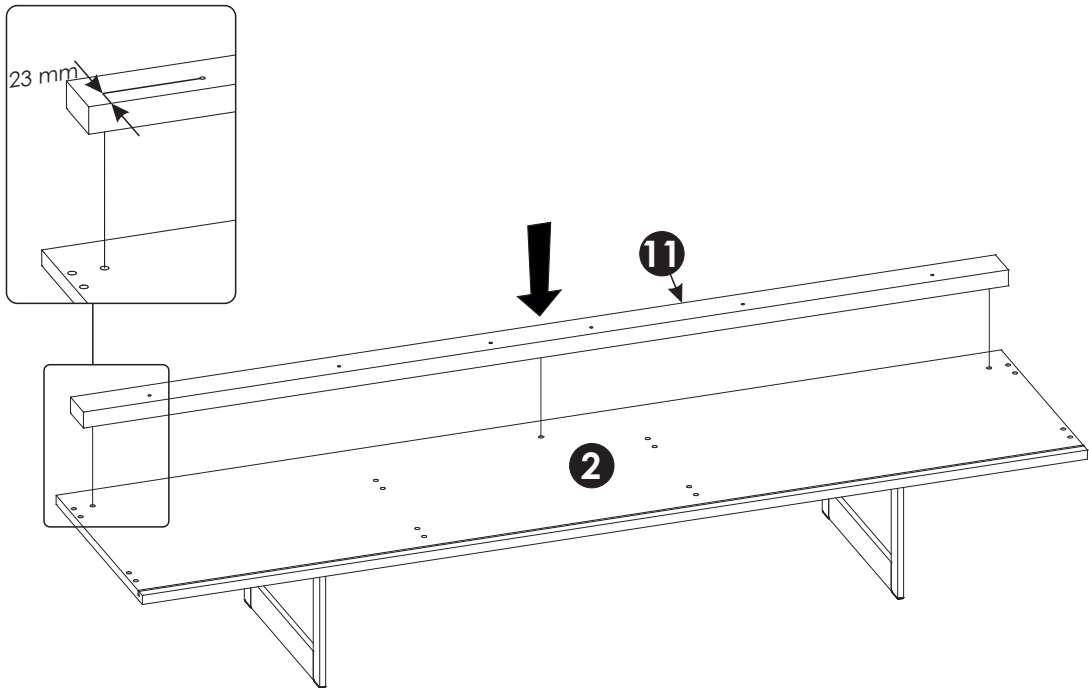


23 ▶

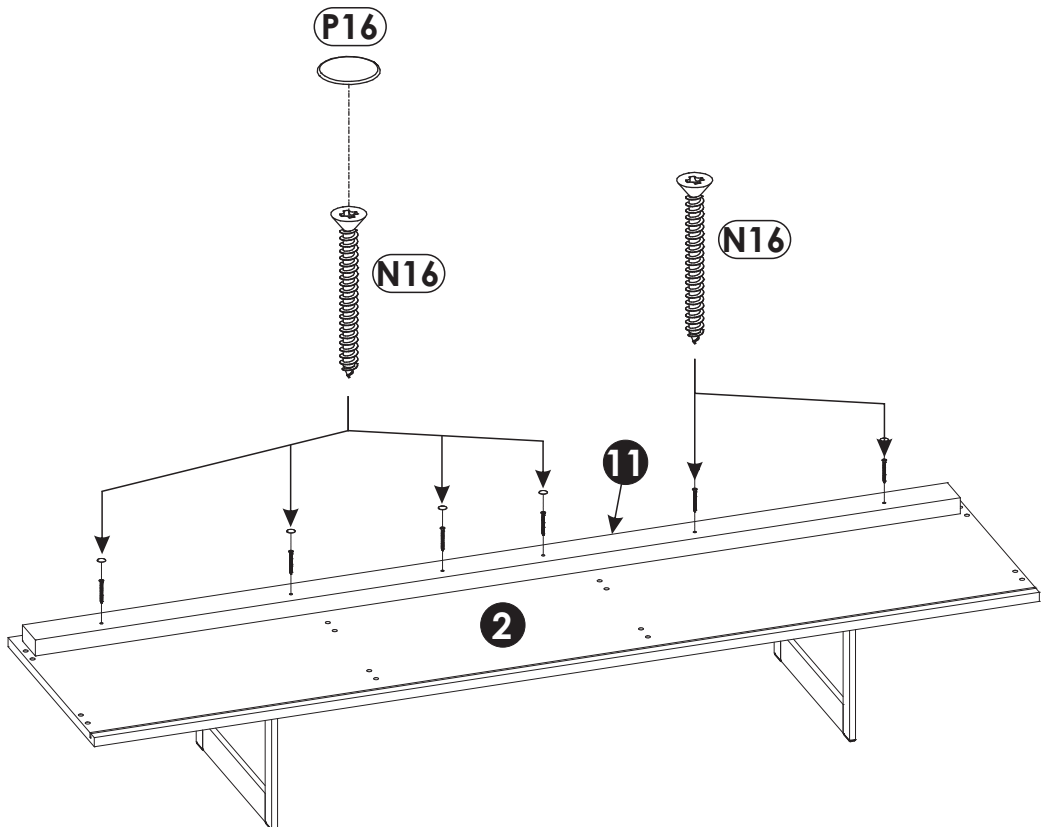




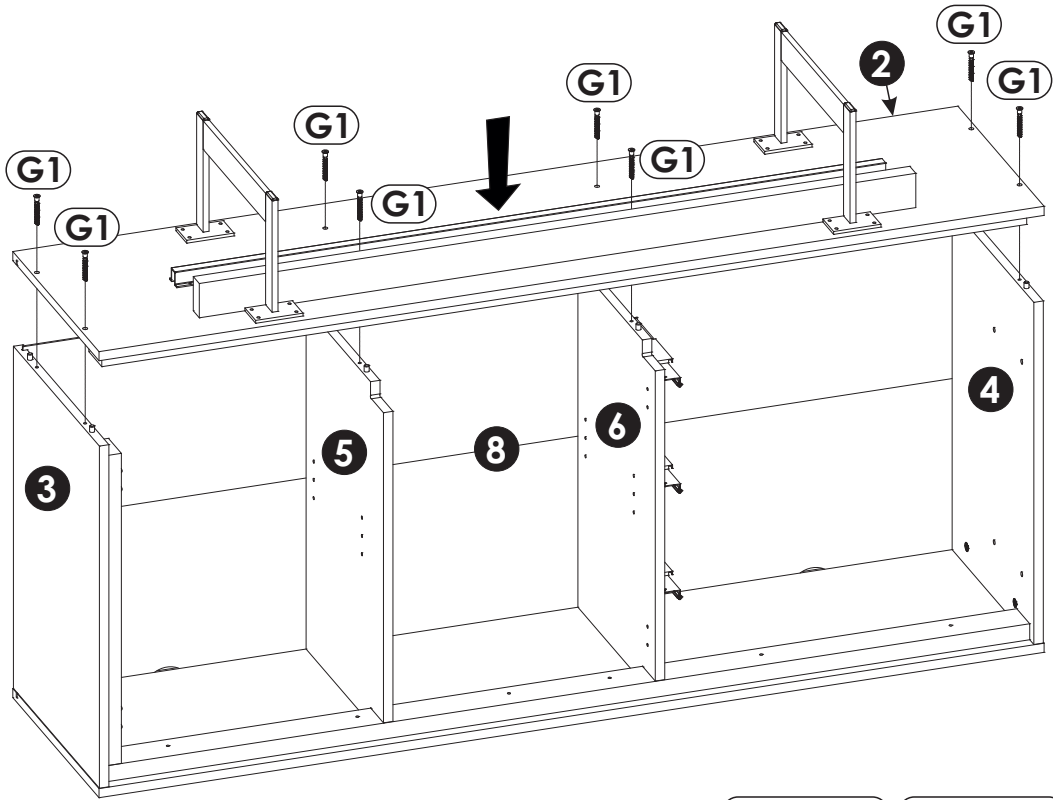
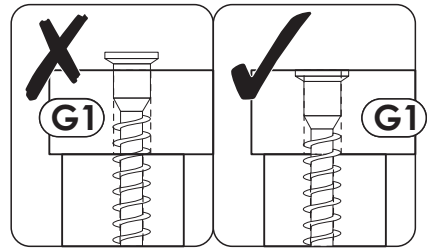
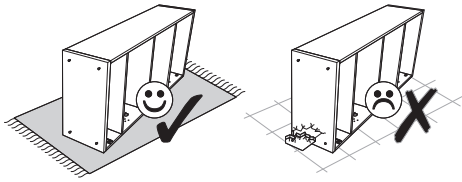
26 ▶



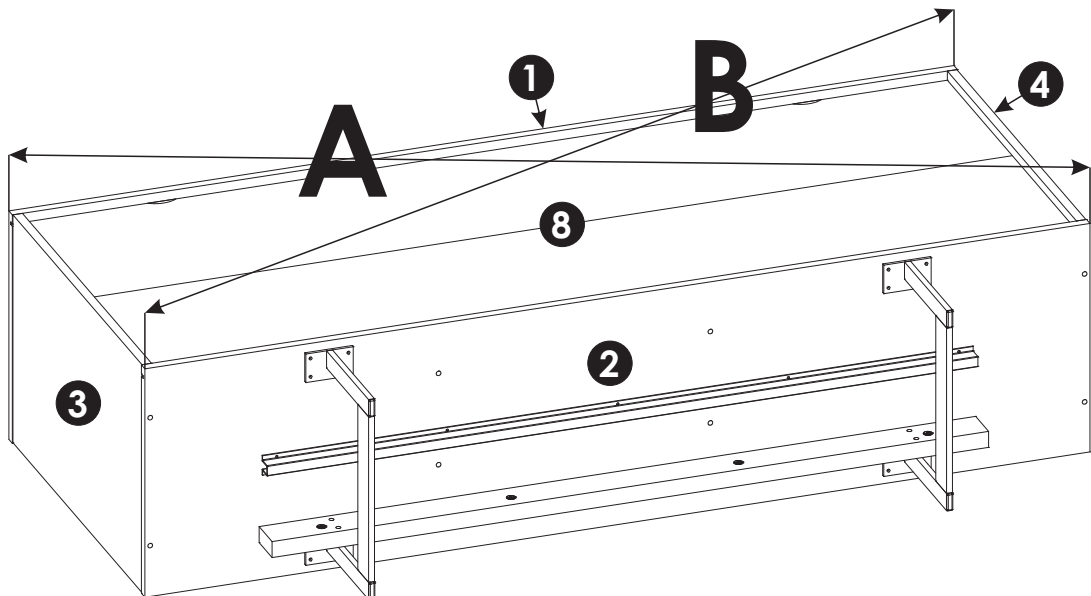
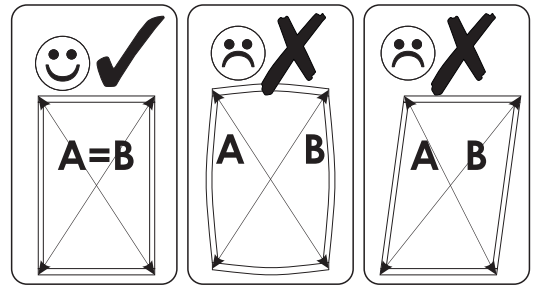
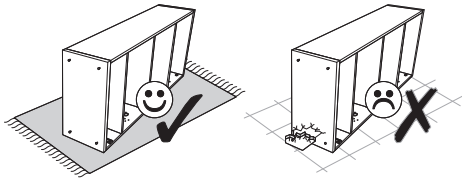
27 ▶



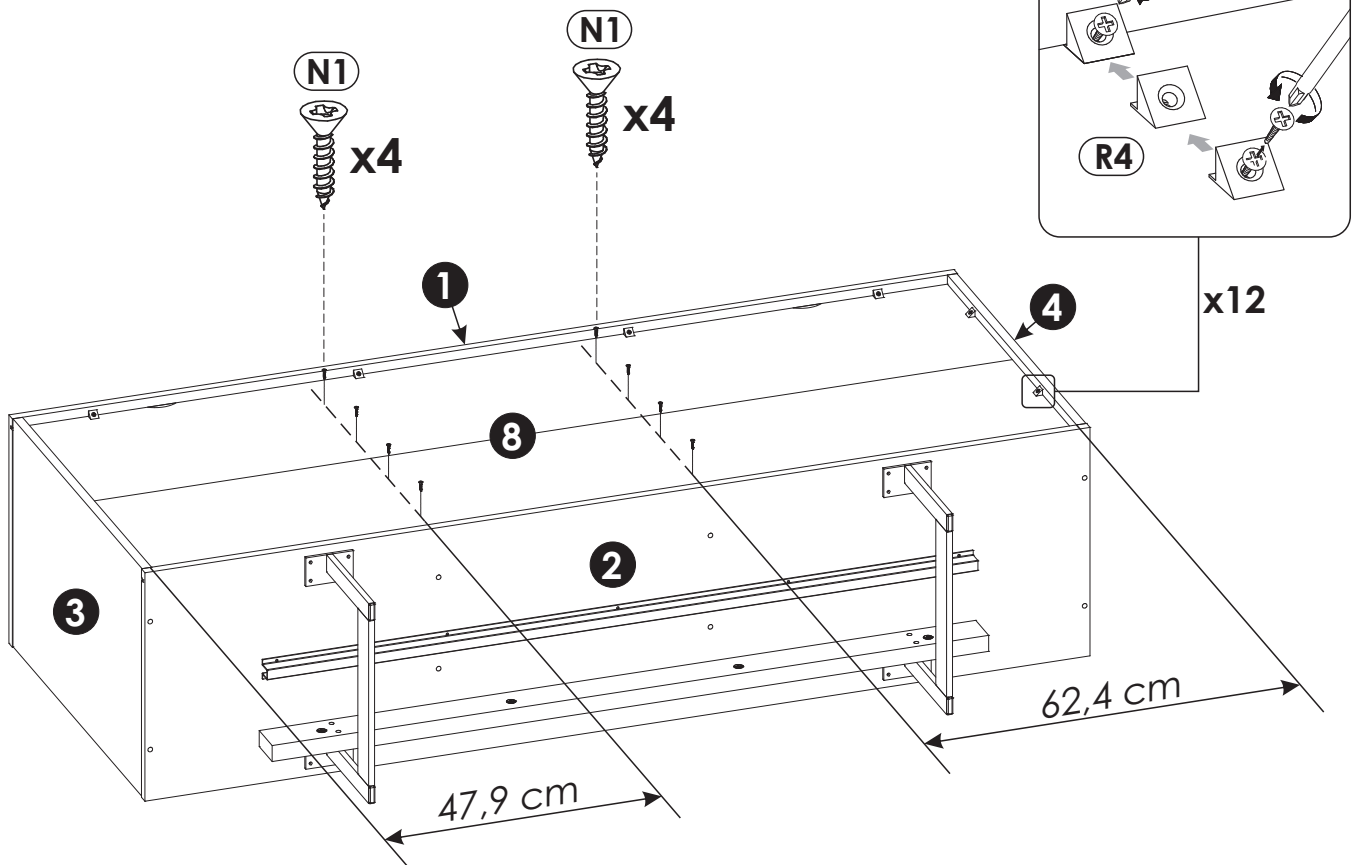
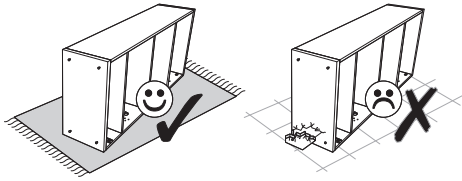
28 ▶



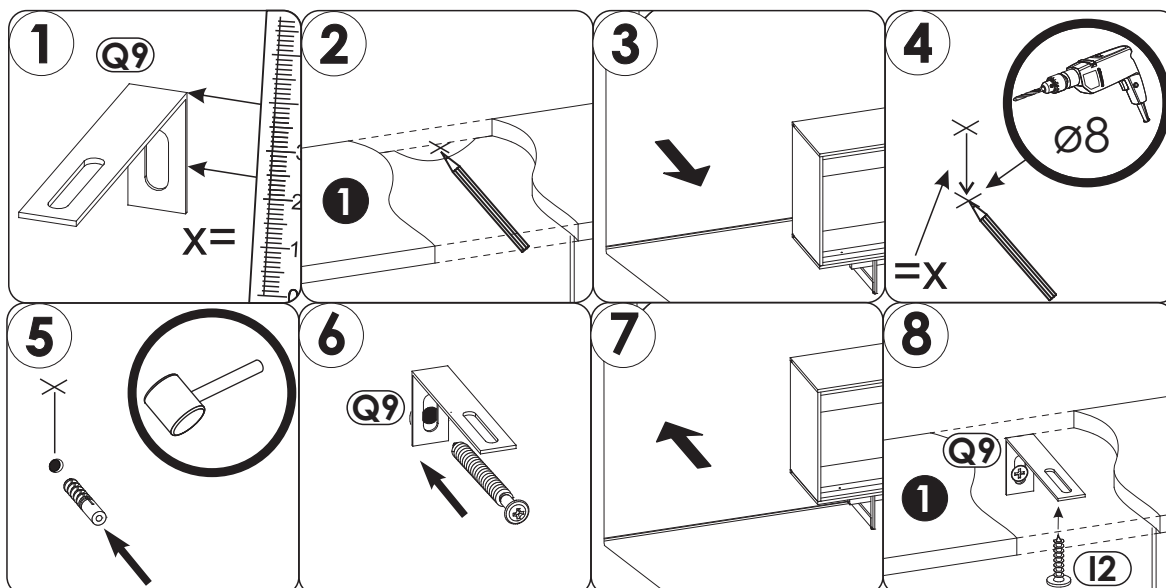
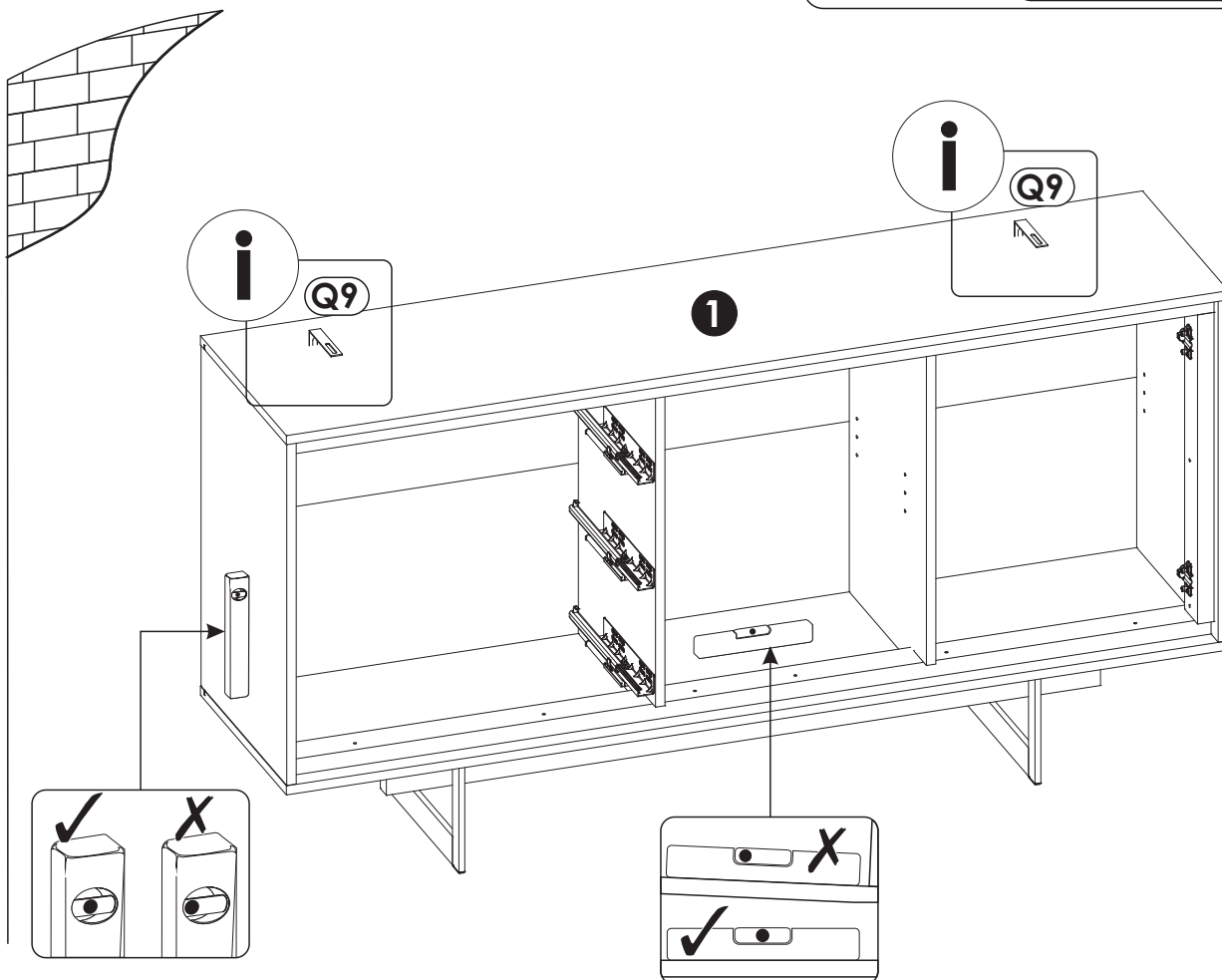
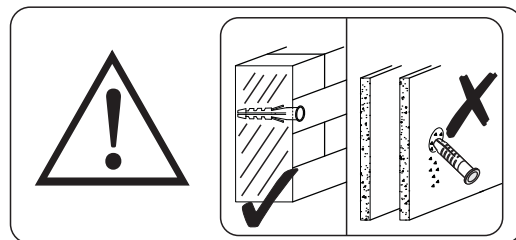
29 ▶



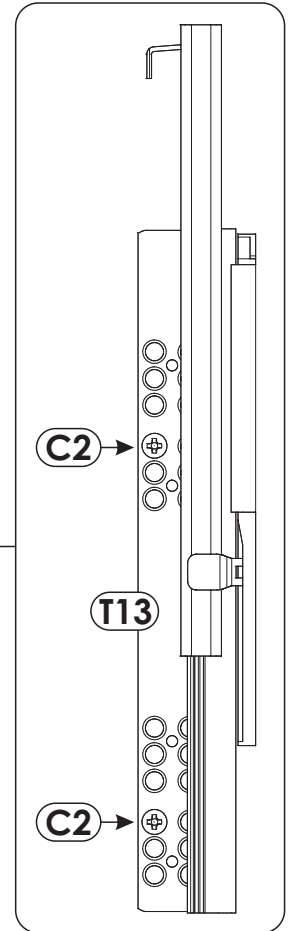
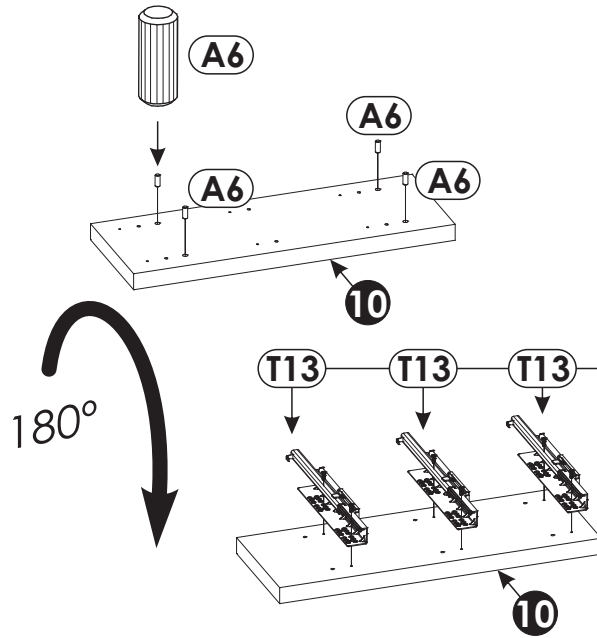
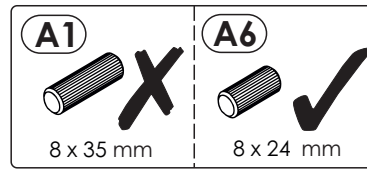
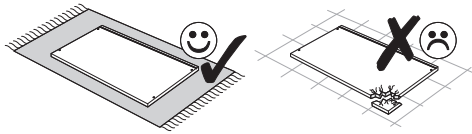
30 ▶



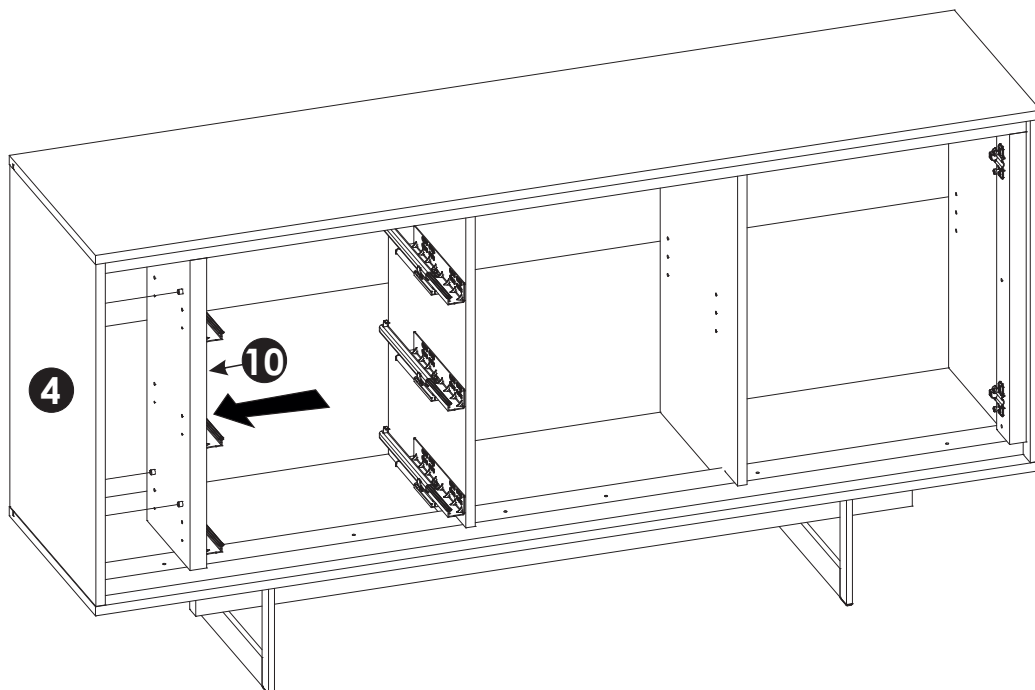
31 ▶



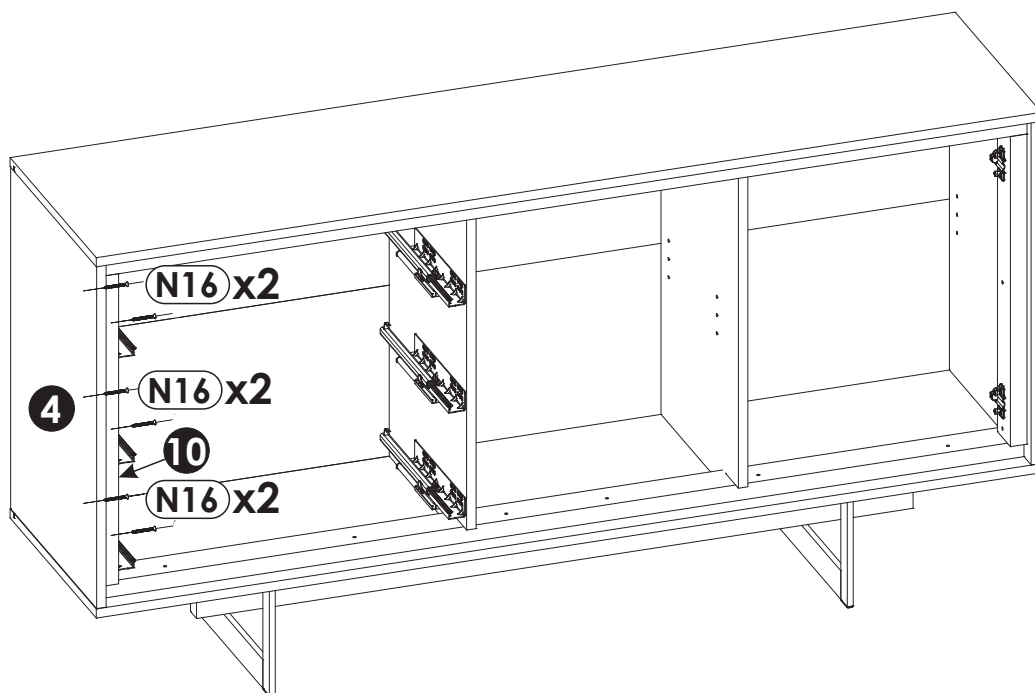
32 ▶



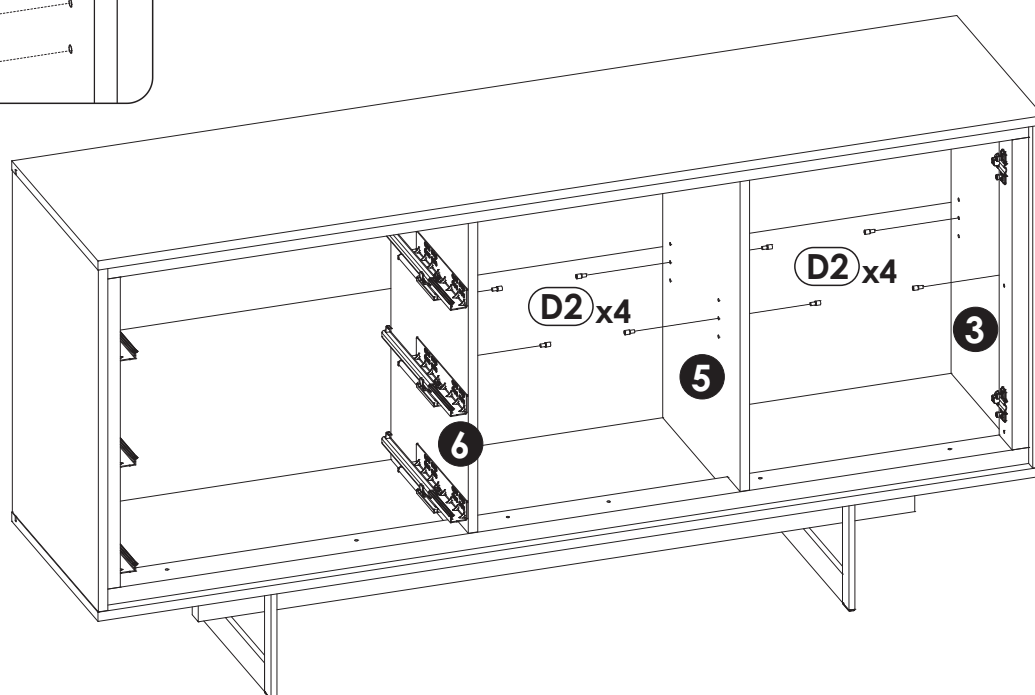
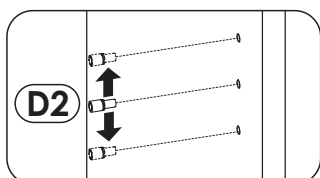
33 ▶



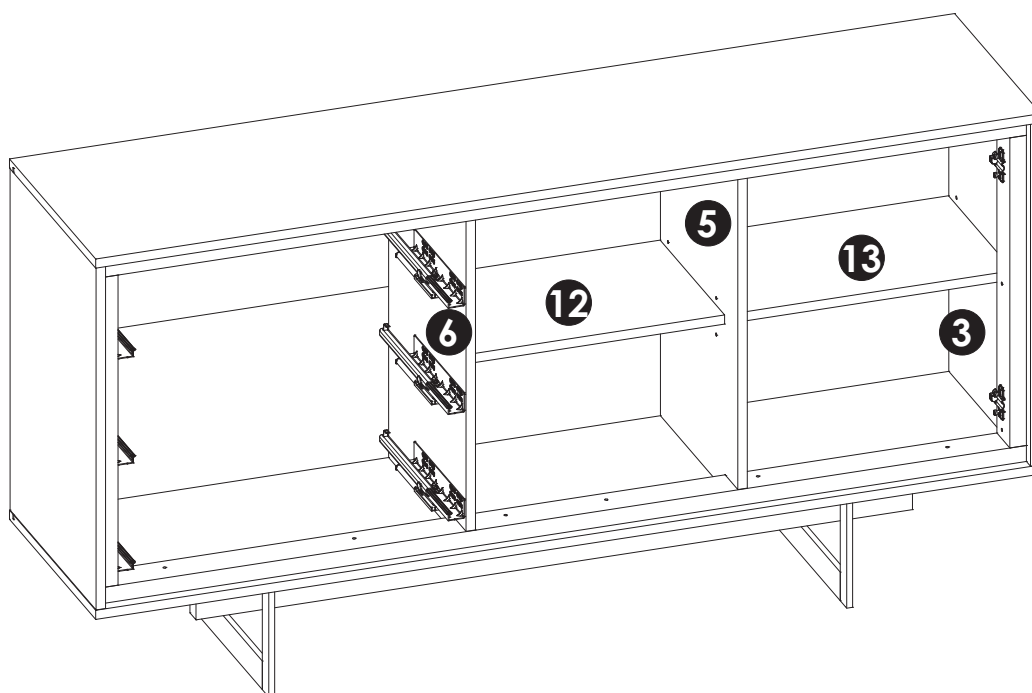
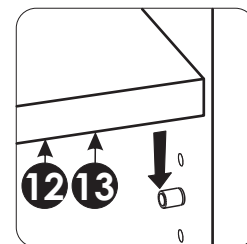
34 ▶



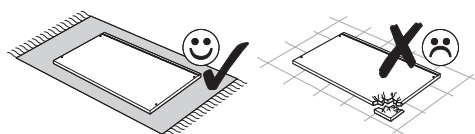
35 ▶



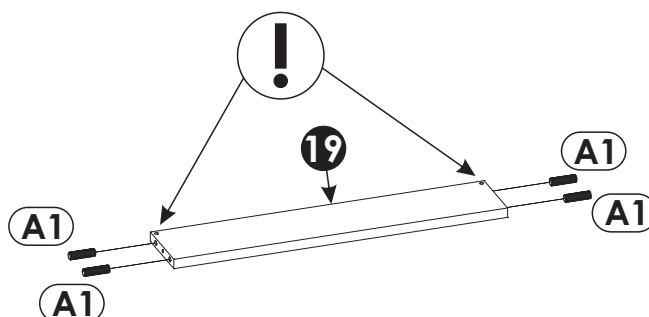
36 ▶



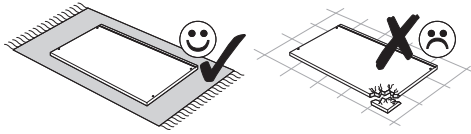
37 ▶



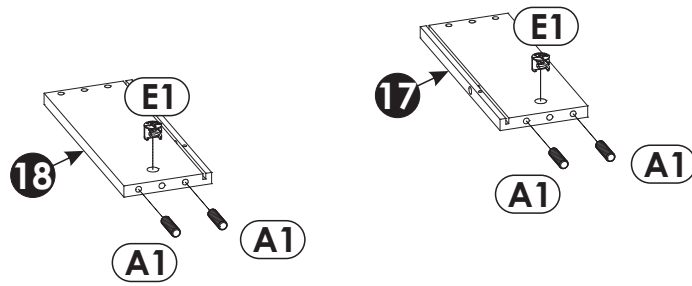
x3



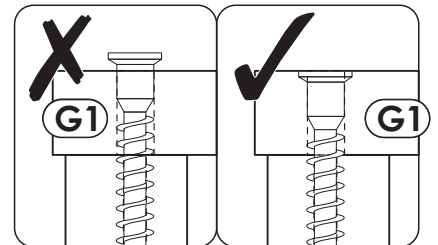
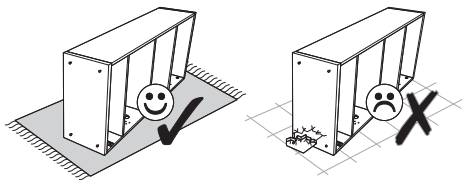
38 ▶



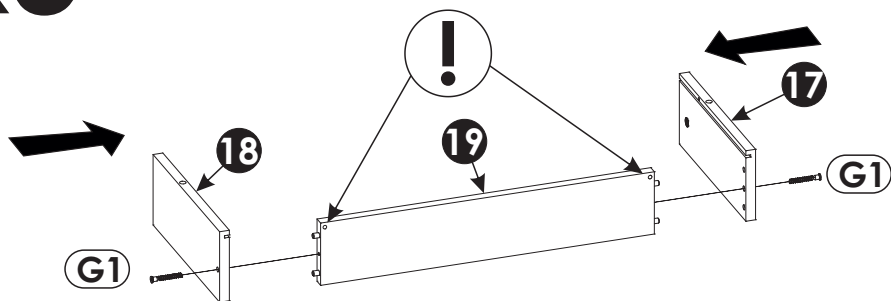
x3

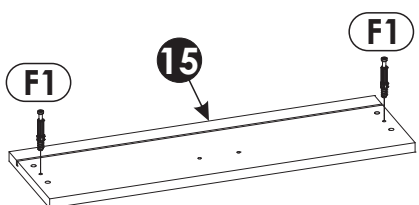
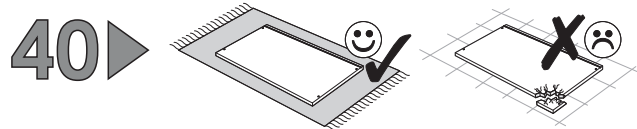


39 ▶

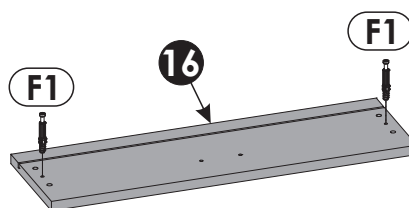


x3

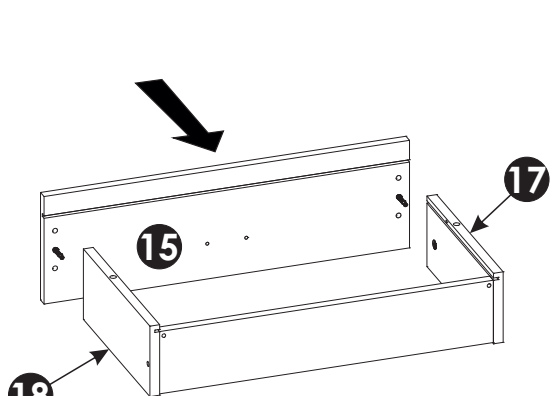
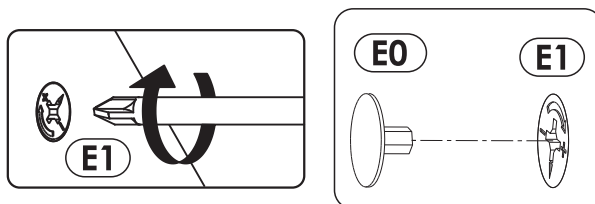
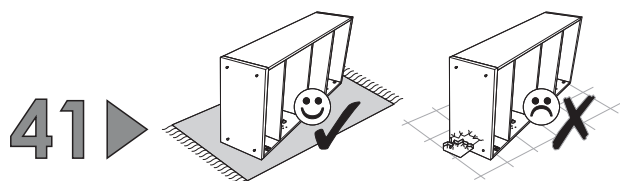




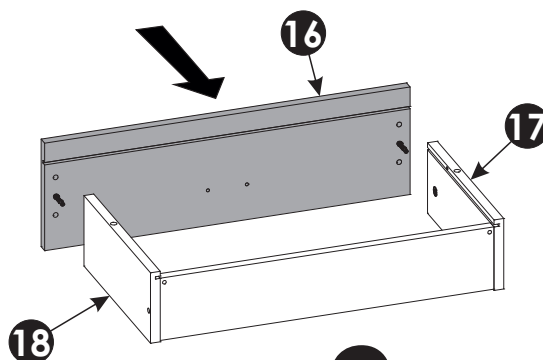
x1



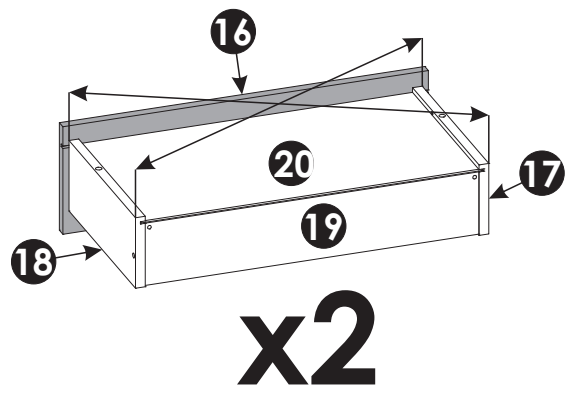
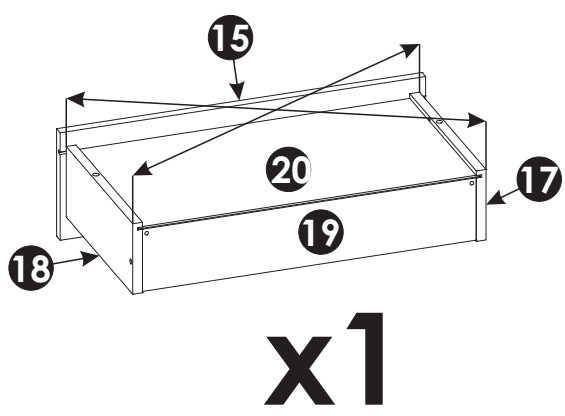
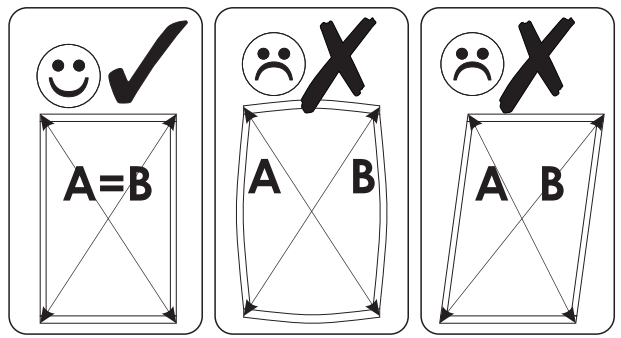
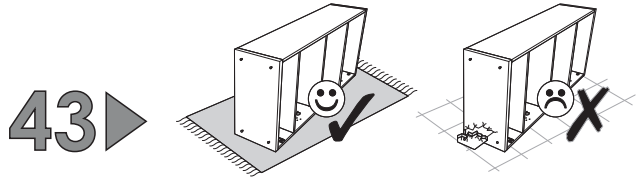
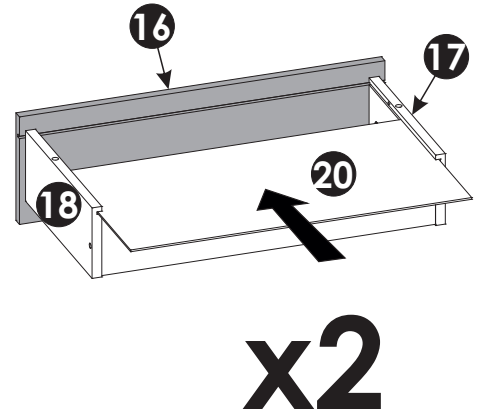
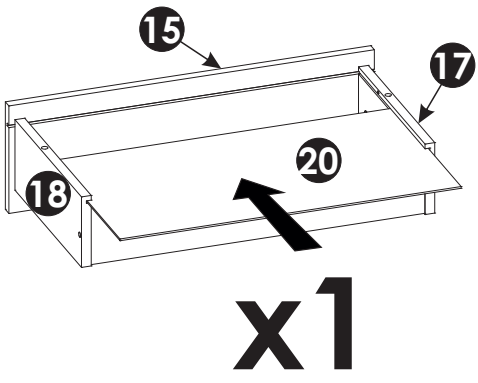
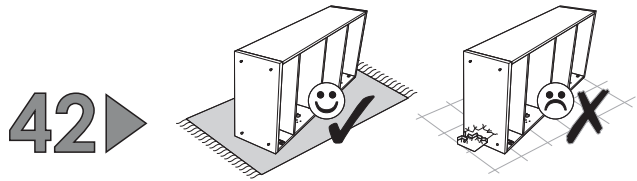
x2



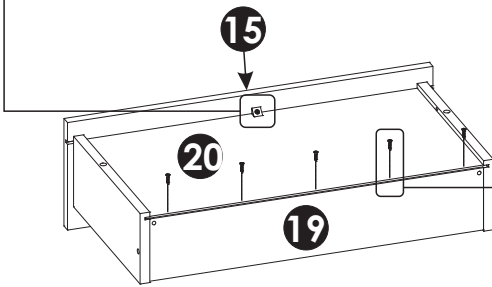
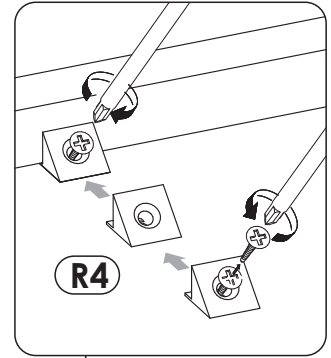
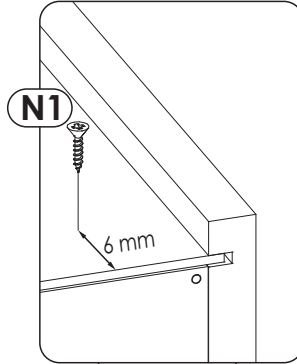
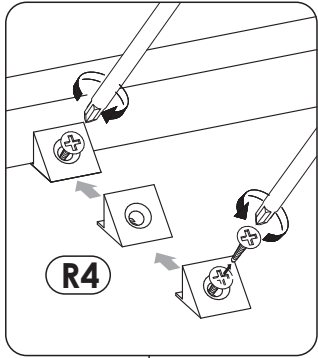
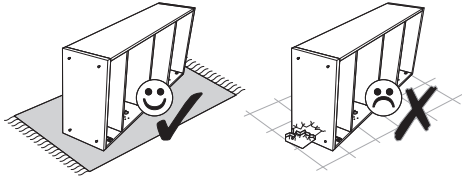
x1



x2

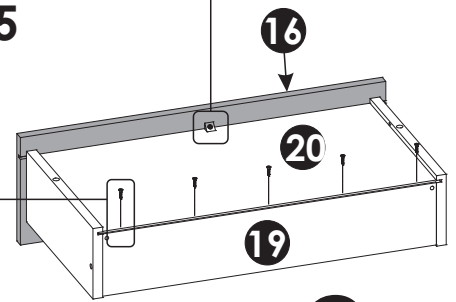


44 ▶



x5

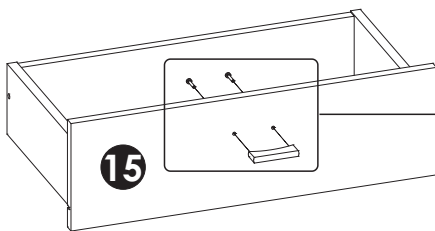
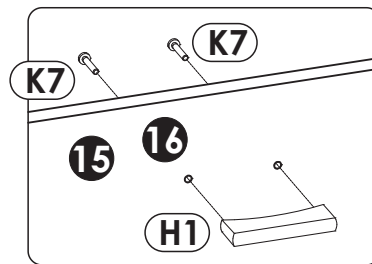
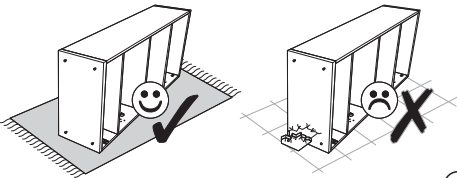
x5



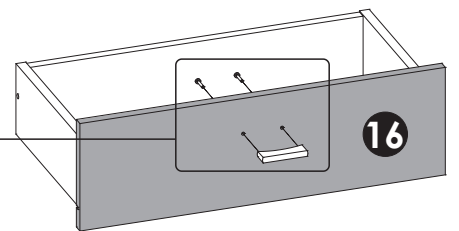
x1

x2

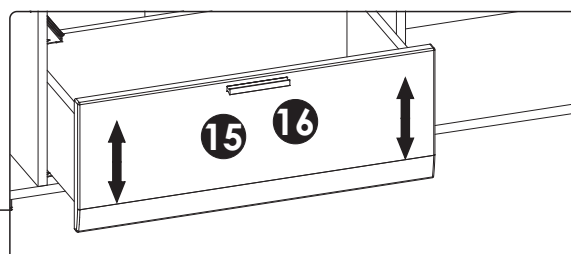
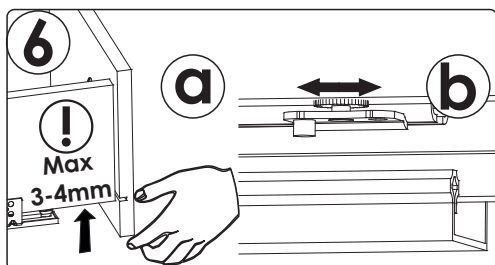
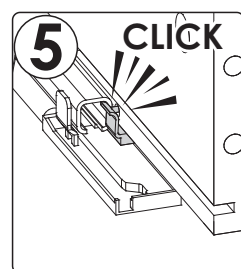
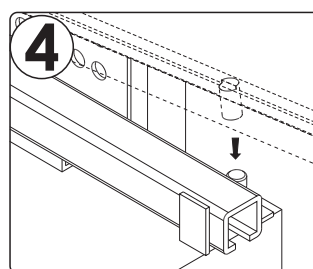
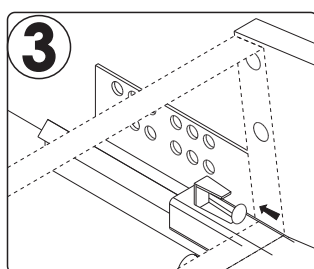
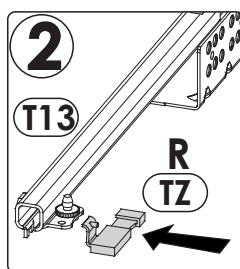
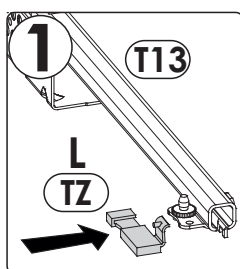
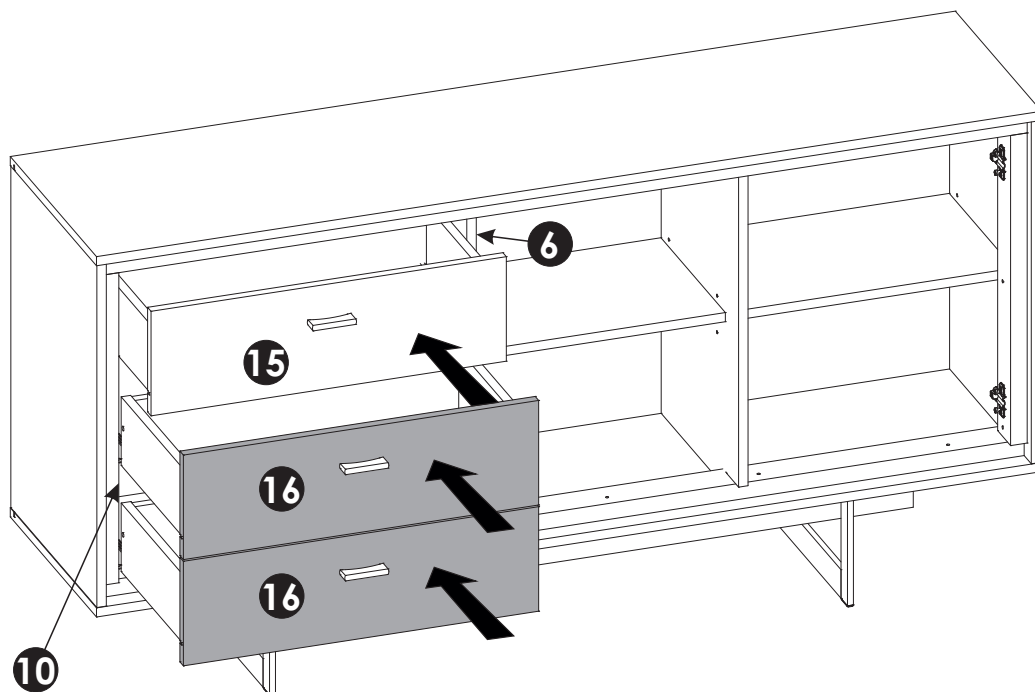
45 ▶



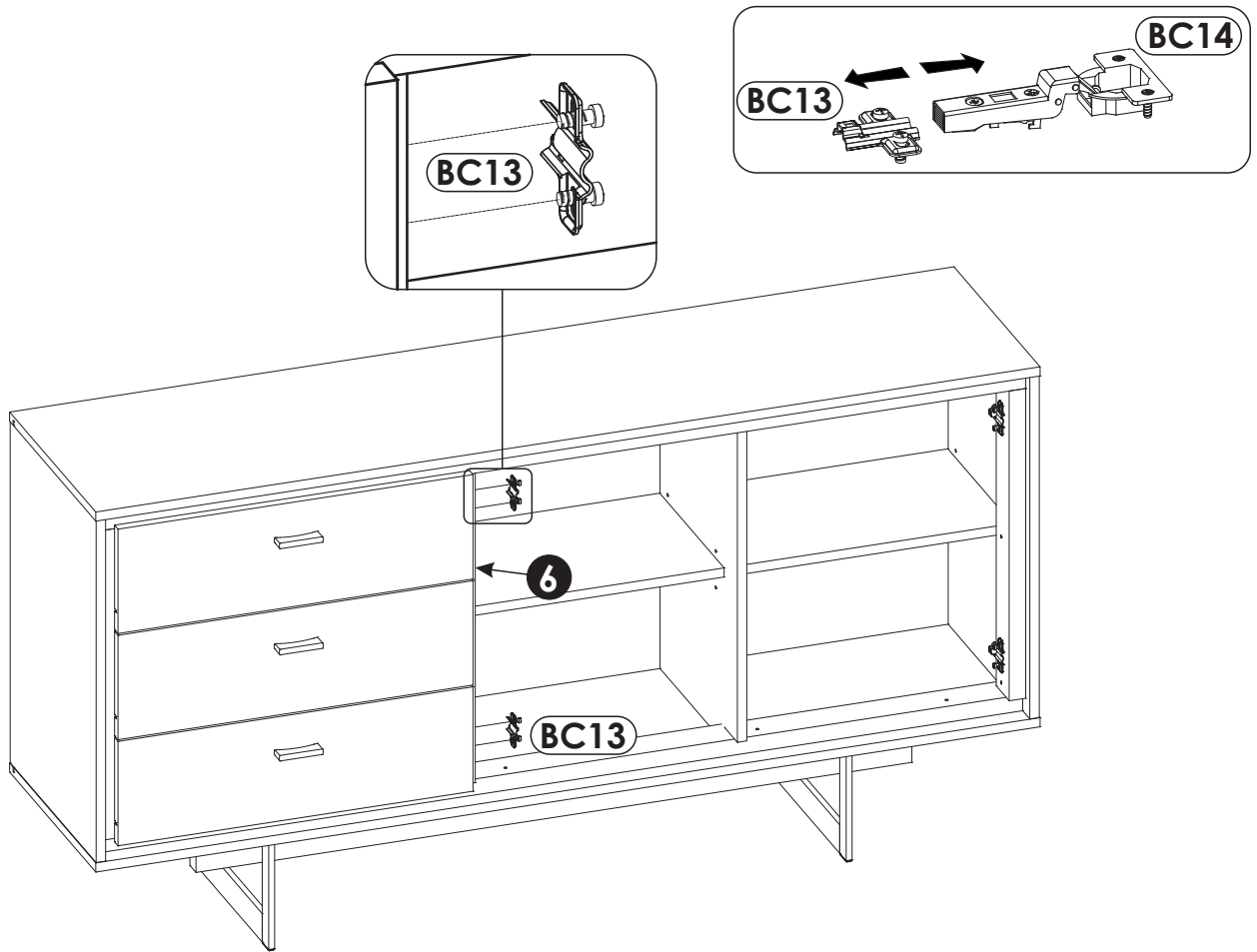
x1



x2



47 ▶



48 ▶

