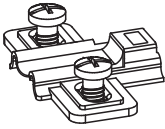
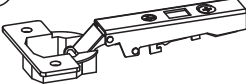
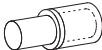
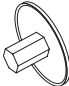

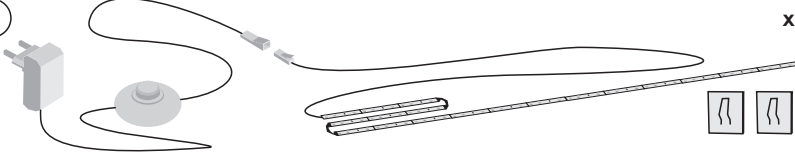
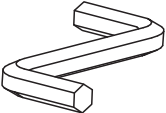
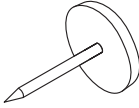
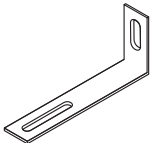
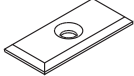
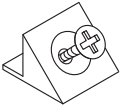
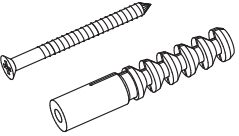
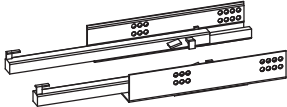

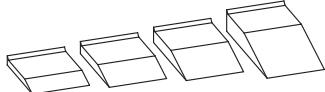
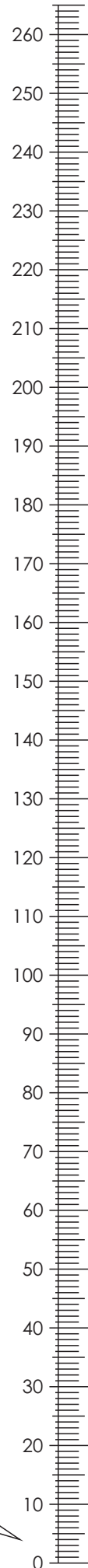
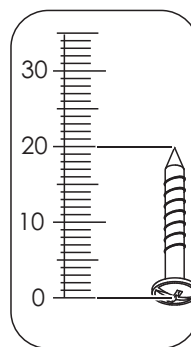
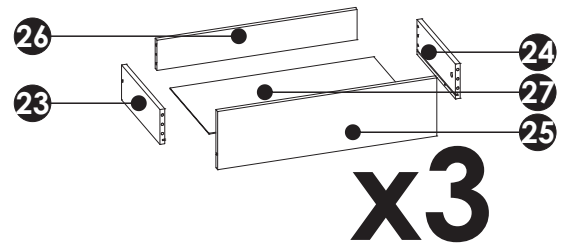
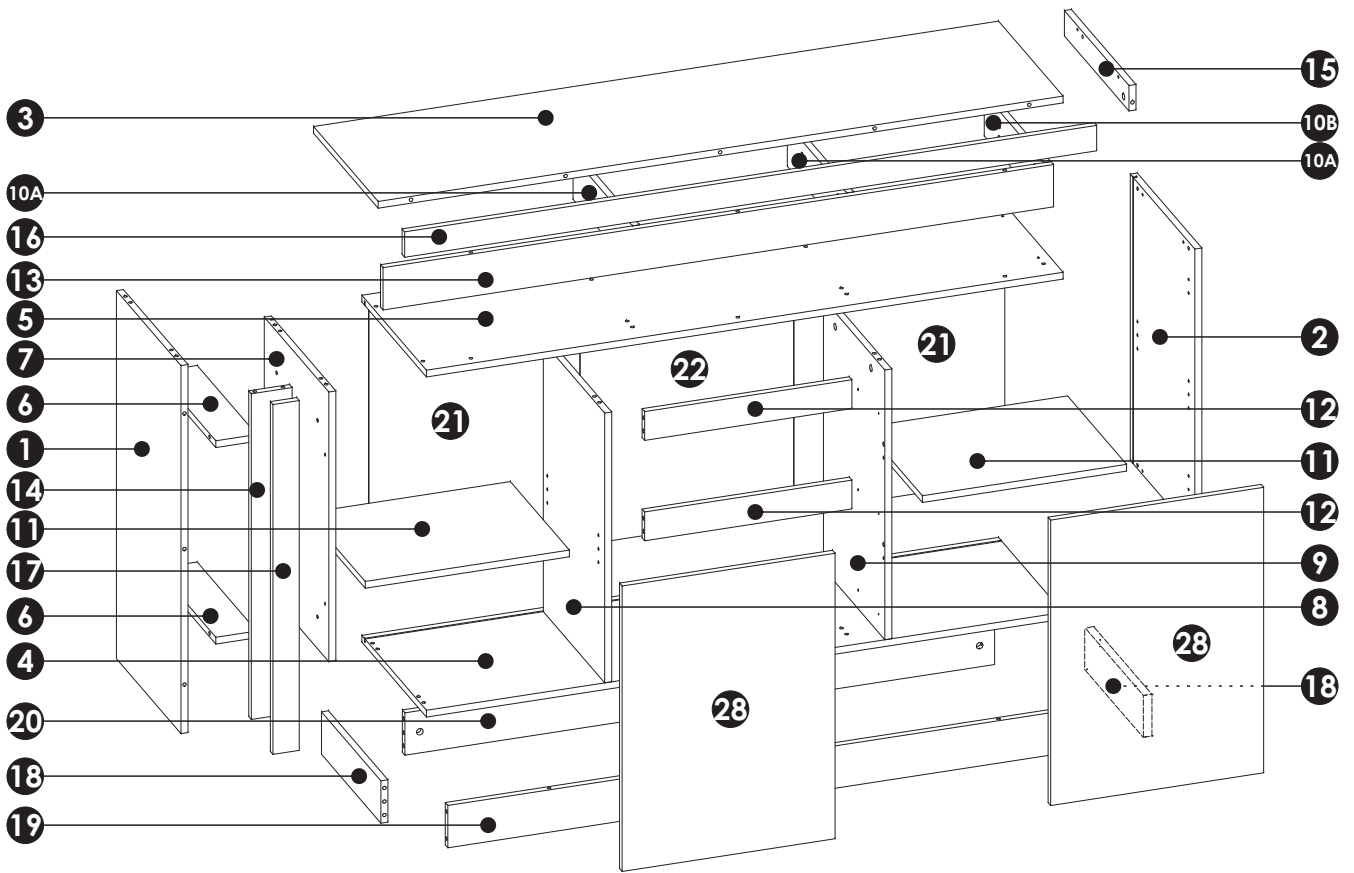


MM

A1	8 x 35 mm	x69	A2	8 x 45 mm	x2	A3	8 x 60 mm	x4
B0		x4	BC11		x4	C1	4 x 13 mm	x8
C2	5 x 13 mm	x12	D2		x8	E0		x48
E1	15 x 12 mm	x60	F1	6 x 34 mm	x48	F3	7 x 58 mm	x2
F4	7 x 76 mm	x4	G0		x18	G1	7 x 50 mm	x18
I2	4 x 16 mm	x2	L		x1			
M		x1	N1	3 X 16 mm	x20	N2	3,5 X 16 mm	x20
O2		x10	Q9		x2	R1		x8
R4		x17	S13		x2	T10		x3
W		x10	Z		x1			

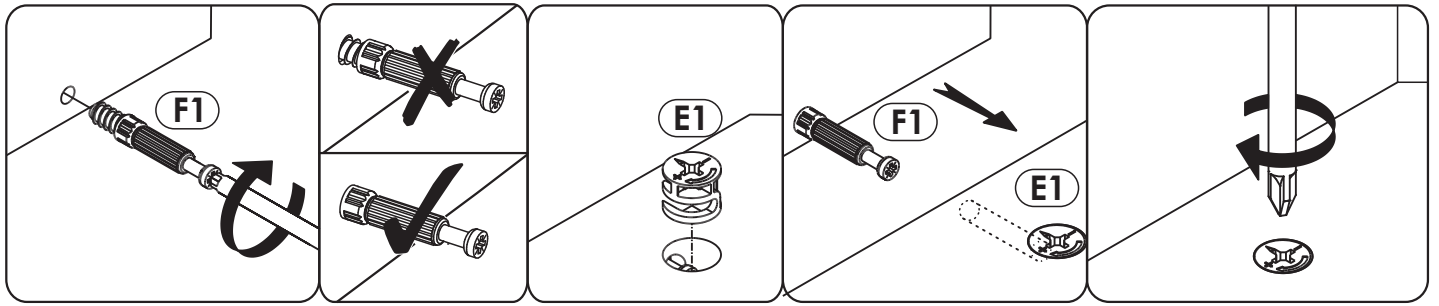




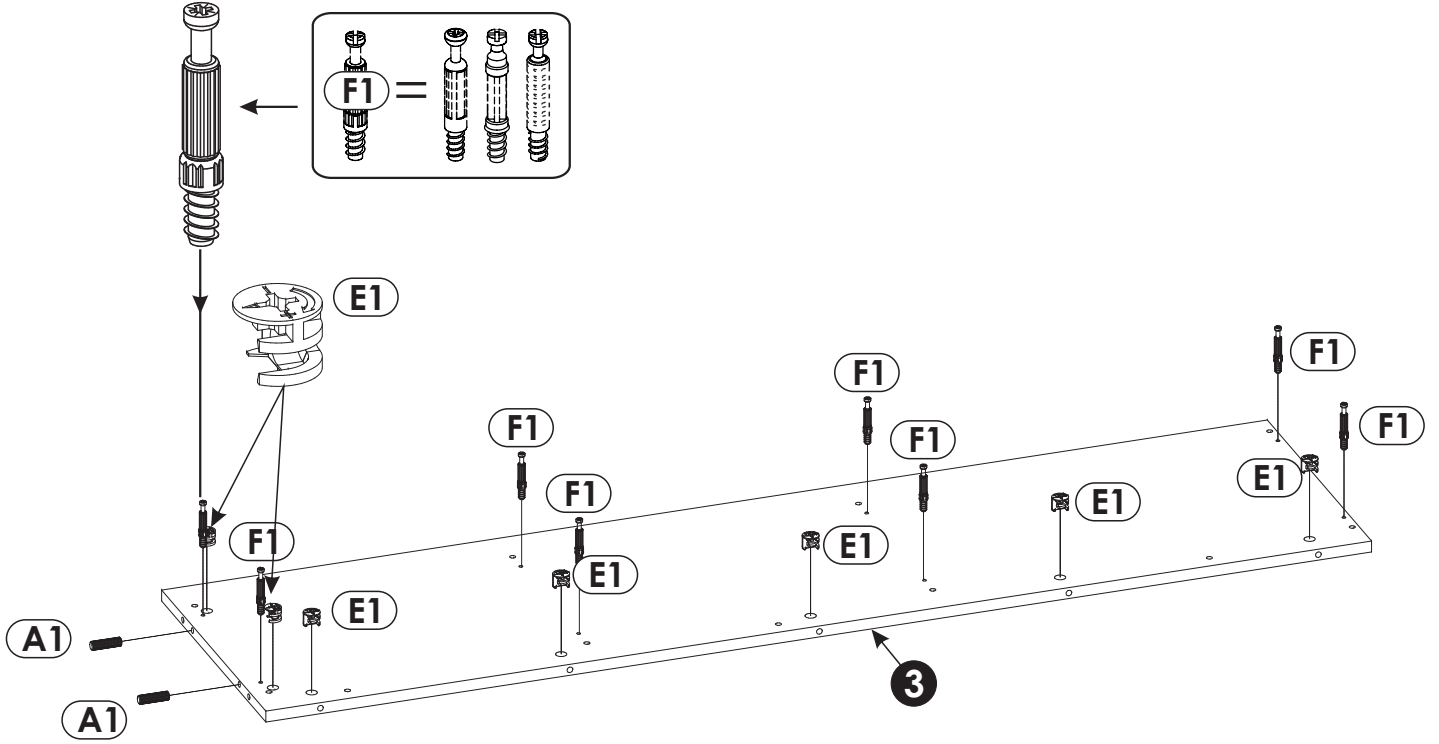
1	869	404	16	x1	3/3
2	676	404	16	x1	2/3
3	1560	404	16	x1	3/3
4	1450	404	16	x1	3/3
5	1450	404	16	x1	3/3
6	372	93	16	x2	1/3
7	637	404	16	x1	3/3
8	637	384	16	x1	1/3
9	637	384	16	x1	1/3

10A	10B	372	100	16	x3	1/3
11		465	369	16	x2	1/3
12		472	68	16	x2	2/3
13		1527	100	16	x1	3/3
14		769	93	16	x1	3/3
15		404	60	16	x1	2/3
16		1577	60	16	x1	3/3
17		826	60	16	x1	3/3
18		372	100	16	x2	1/3

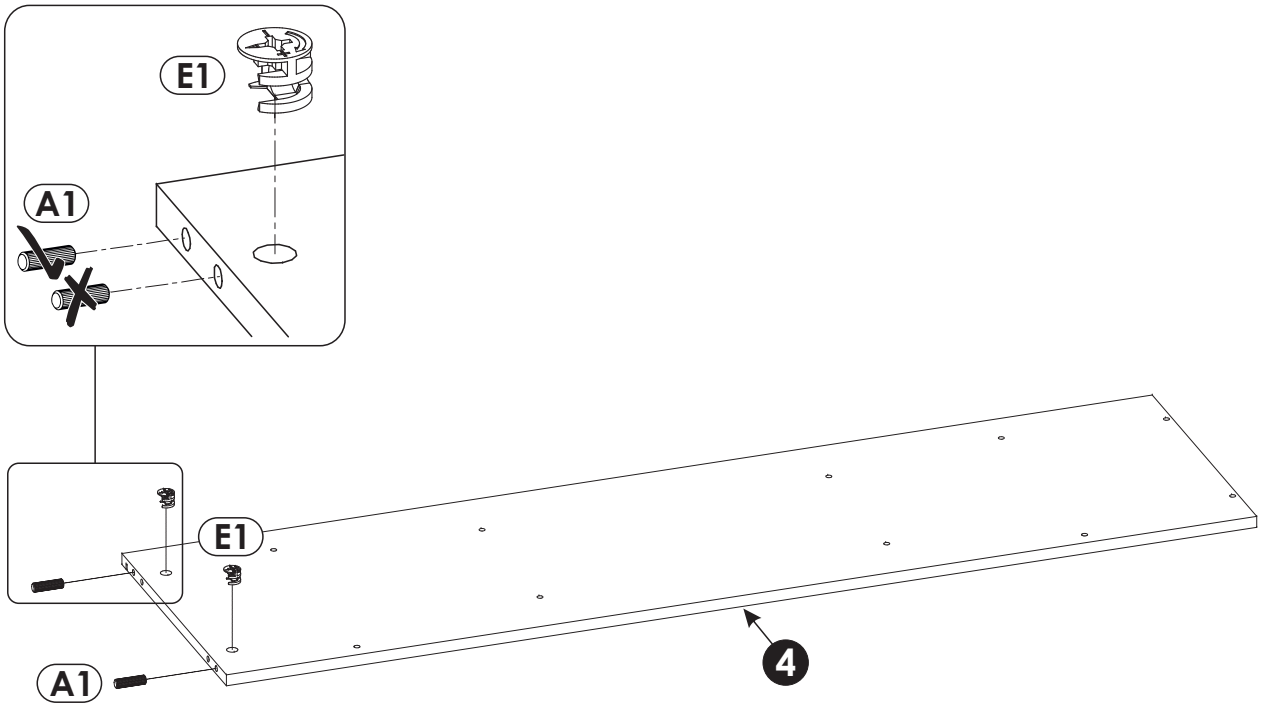
19	1434	100	16	x1	3/3
20	1343	100	16	x1	3/3
21	651	480	3	x2	2/3
22	651	486	3	x1	2/3
23	350	120	16	x3	1/3
24	350	120	16	x3	1/3
25	485	200	16	x3	2/3
26	430	104	16	x3	2/3
27	442	355	3	x3	1/3
28	485	674	16	x2	2/3



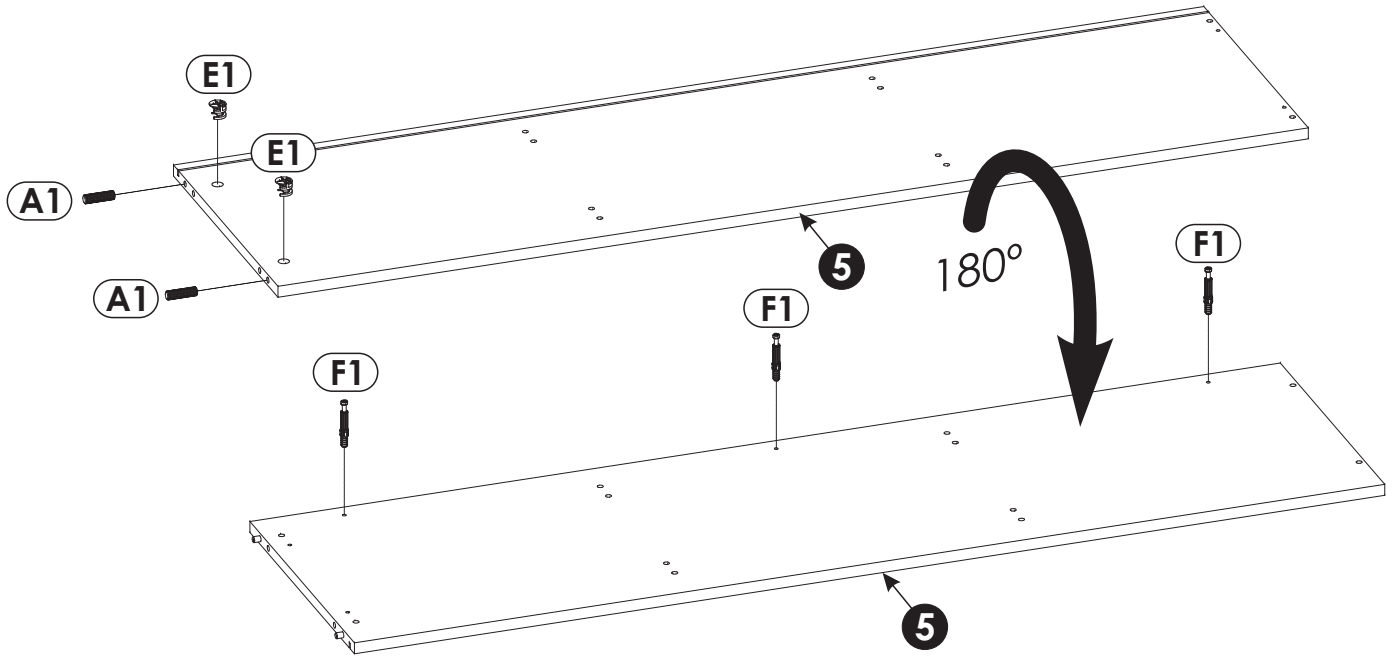
1 ▶



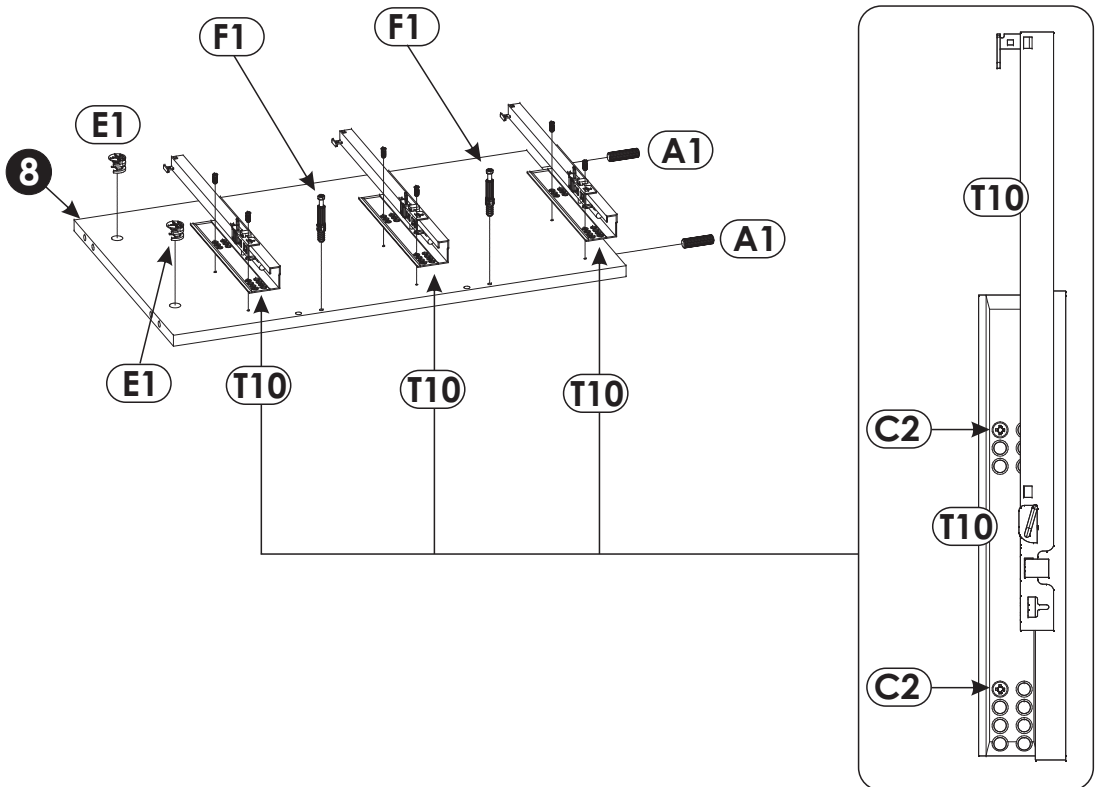
2 ▶



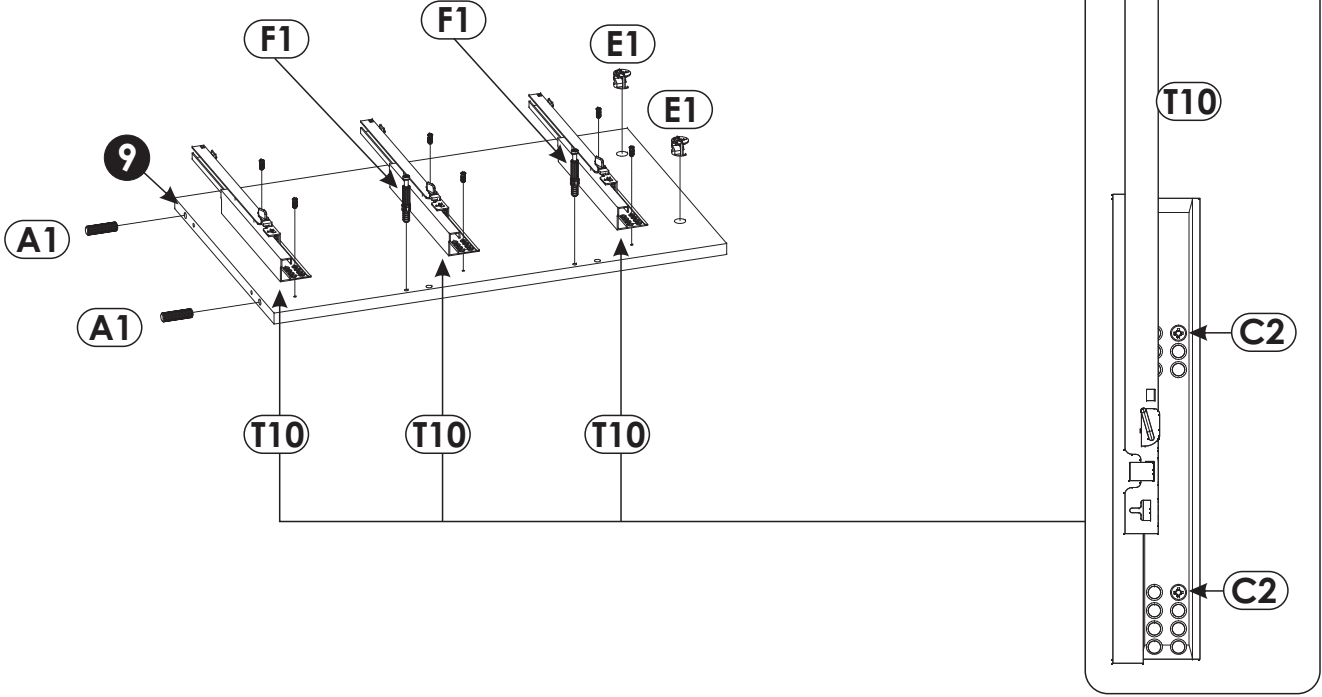
3 ▶



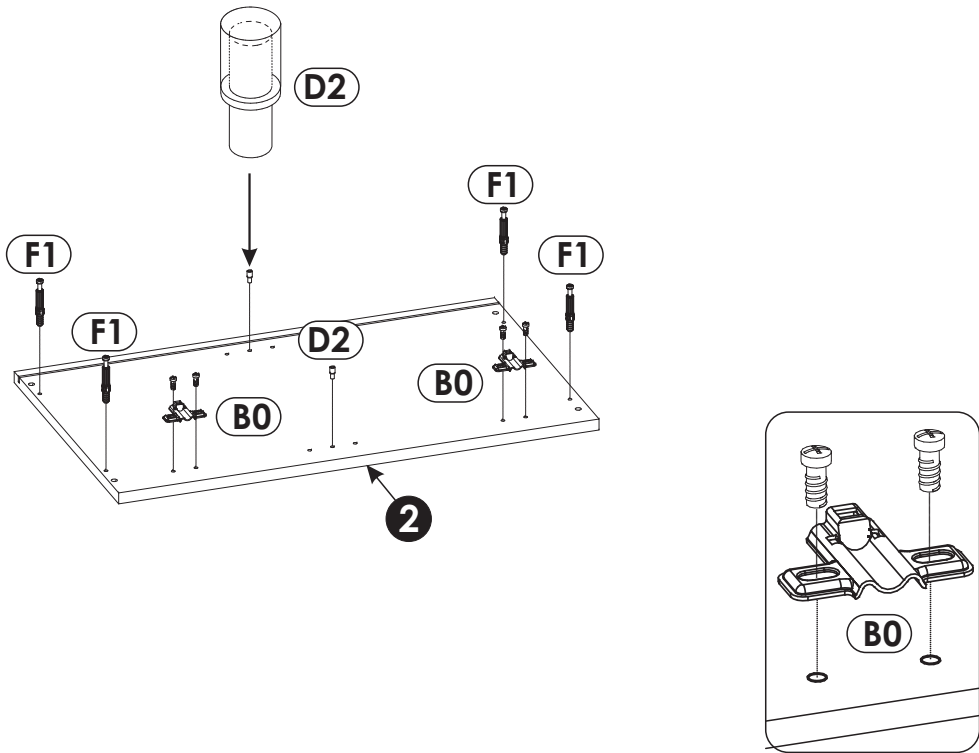
4 ▶



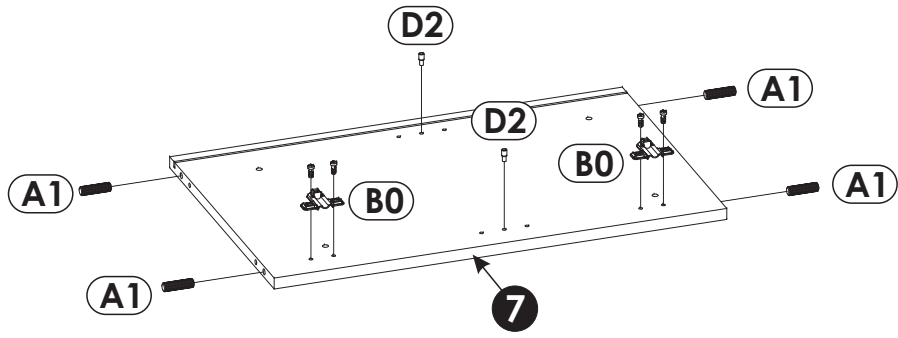
5 ▶



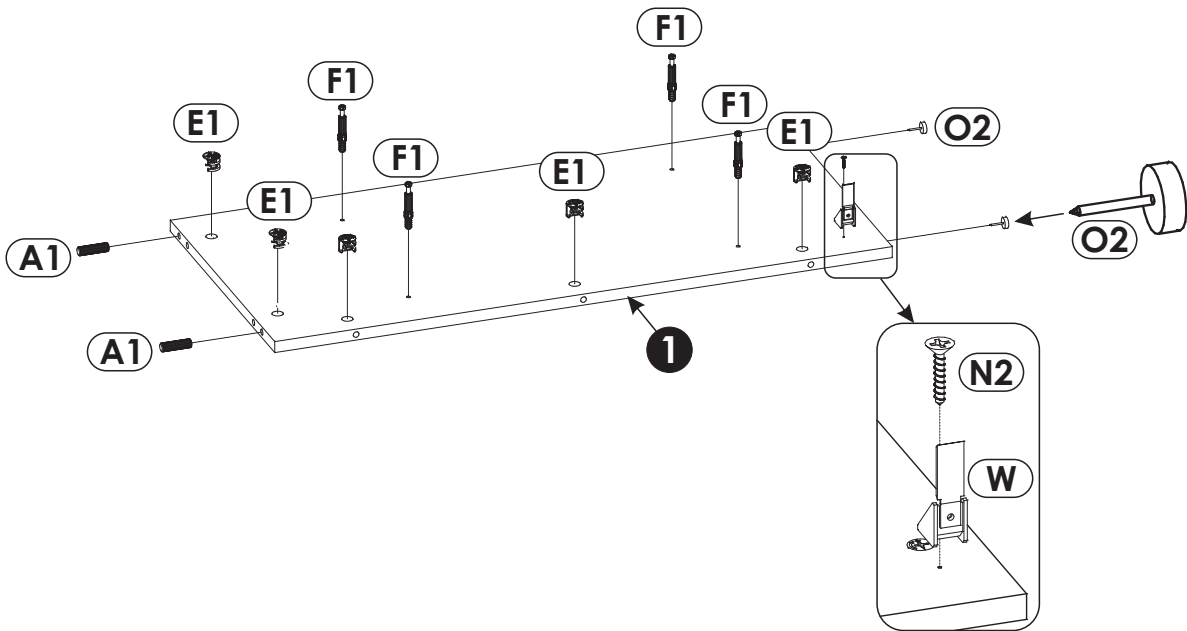
6 ▶



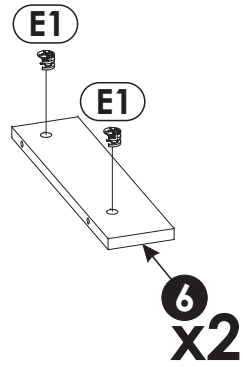
7 ▶



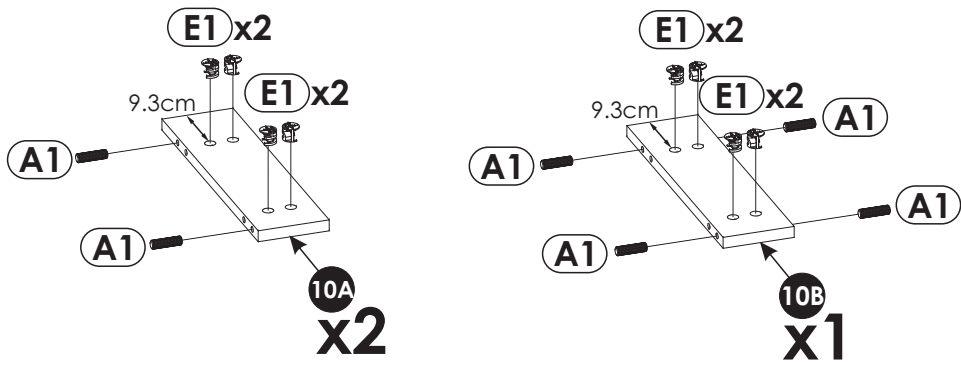
8 ▶



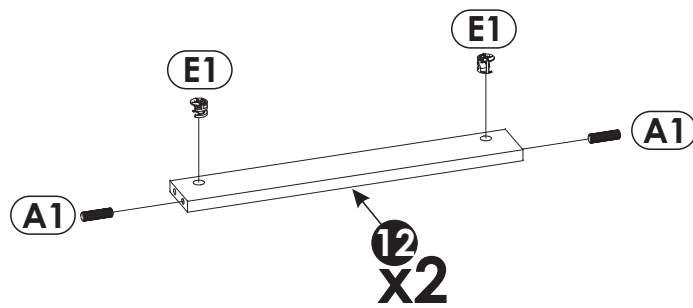
9 ▶



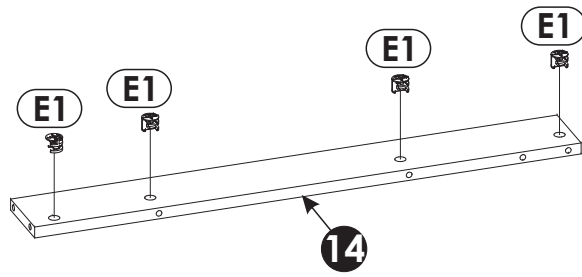
10 ▶



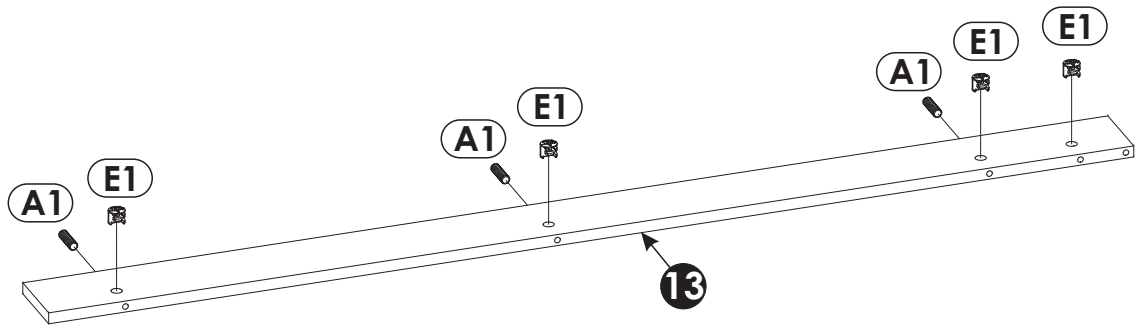
11 ▶



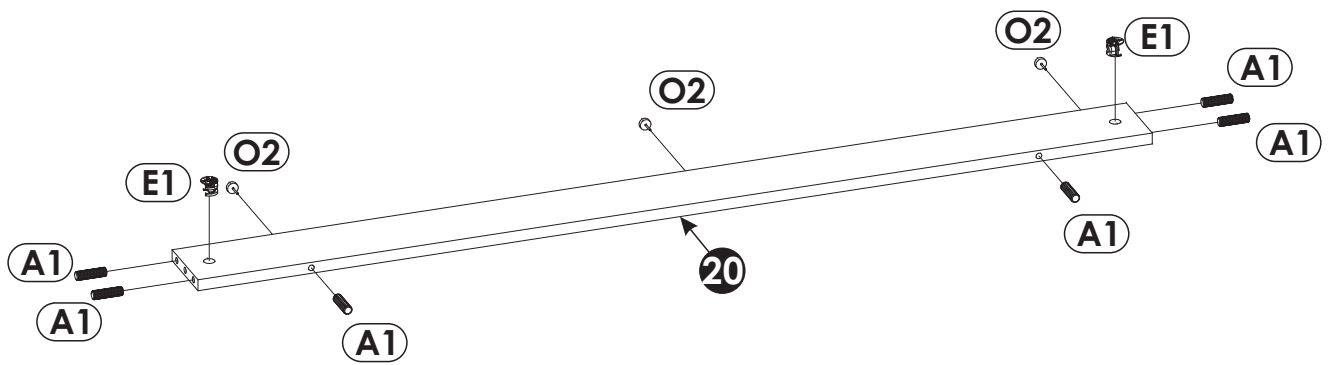
12▶



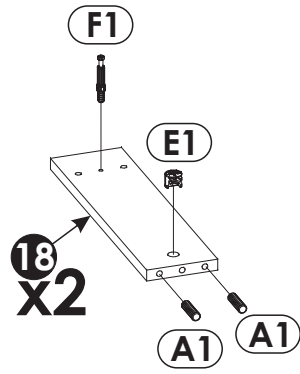
13▶



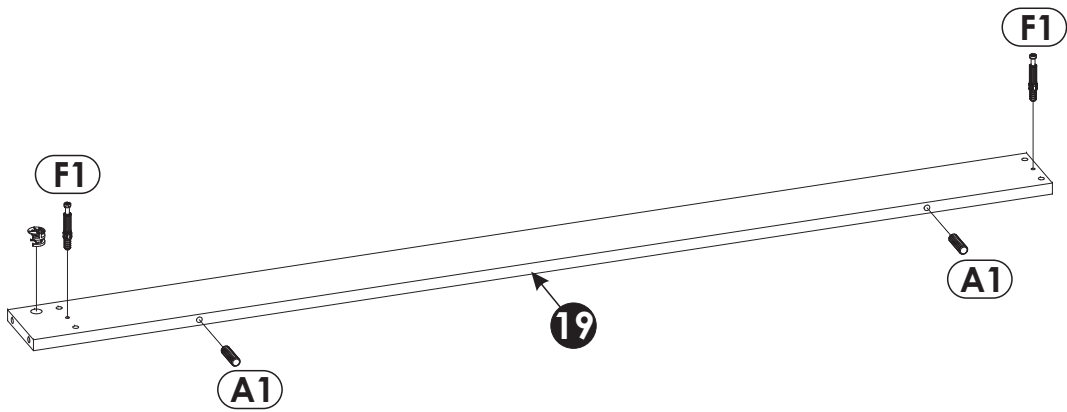
14▶



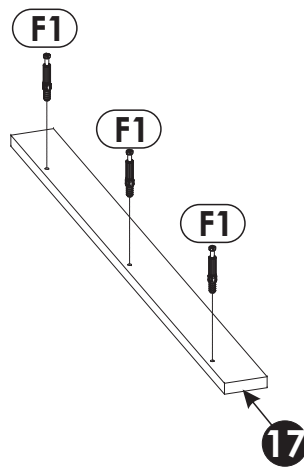
15▶



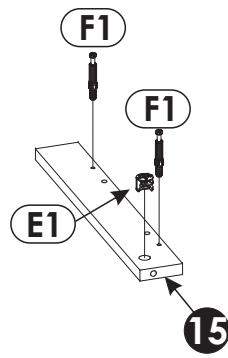
16▶



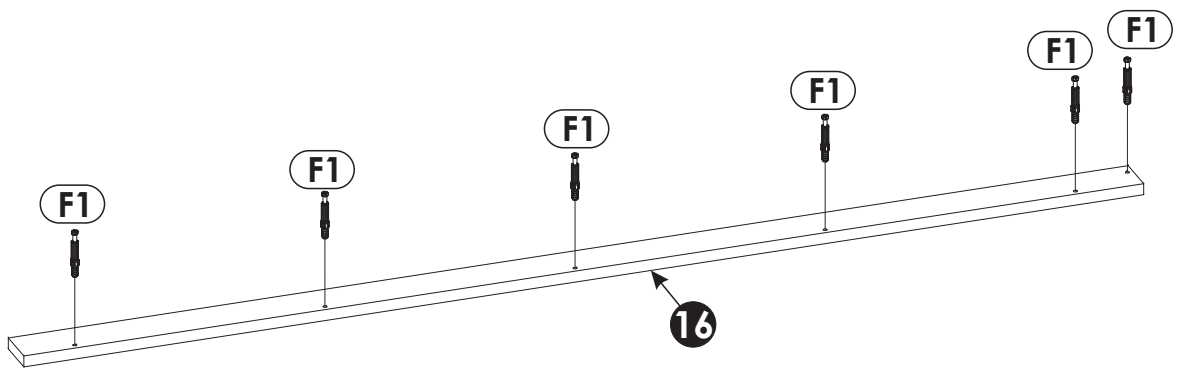
17▶



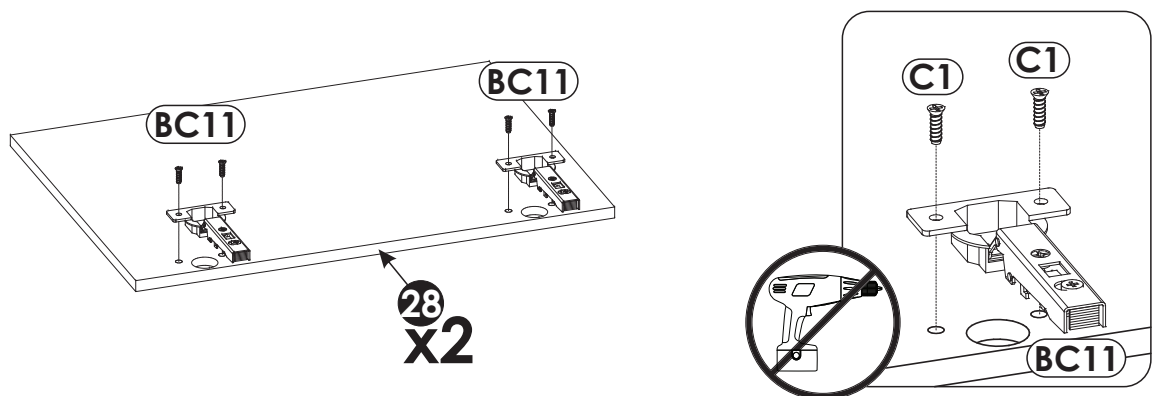
18▶



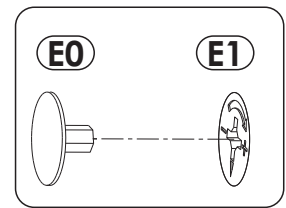
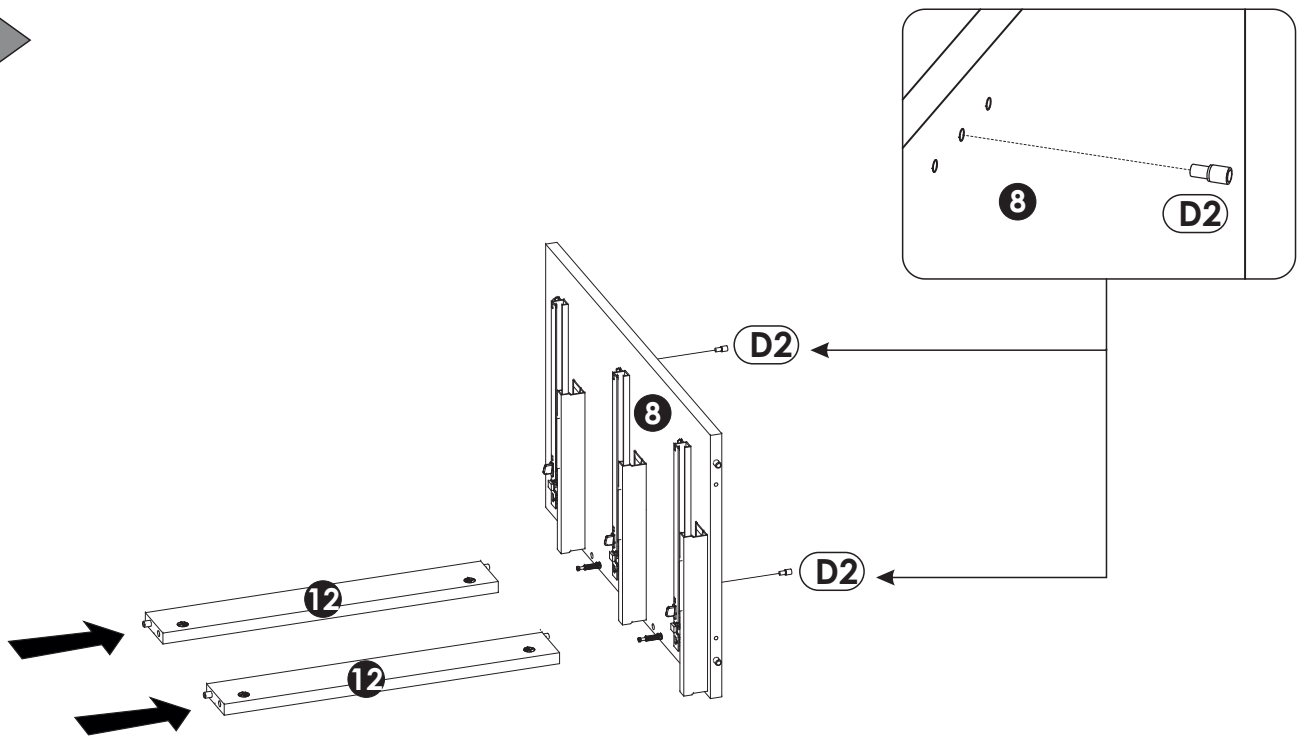
19▶



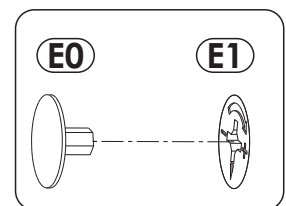
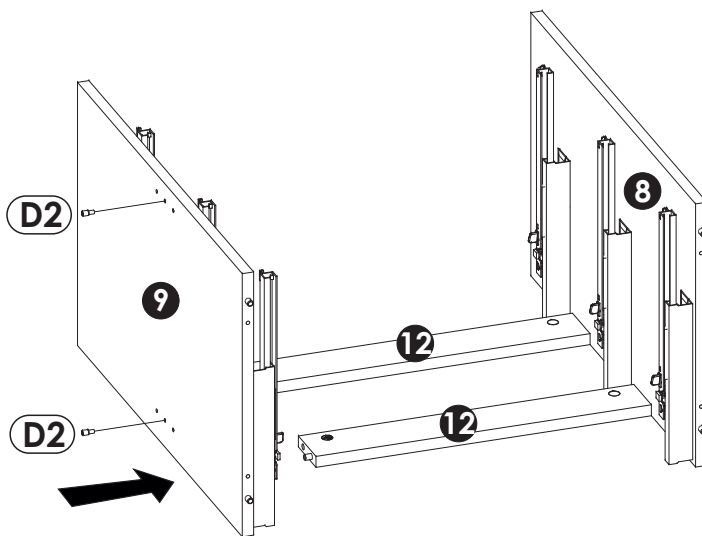
20▶



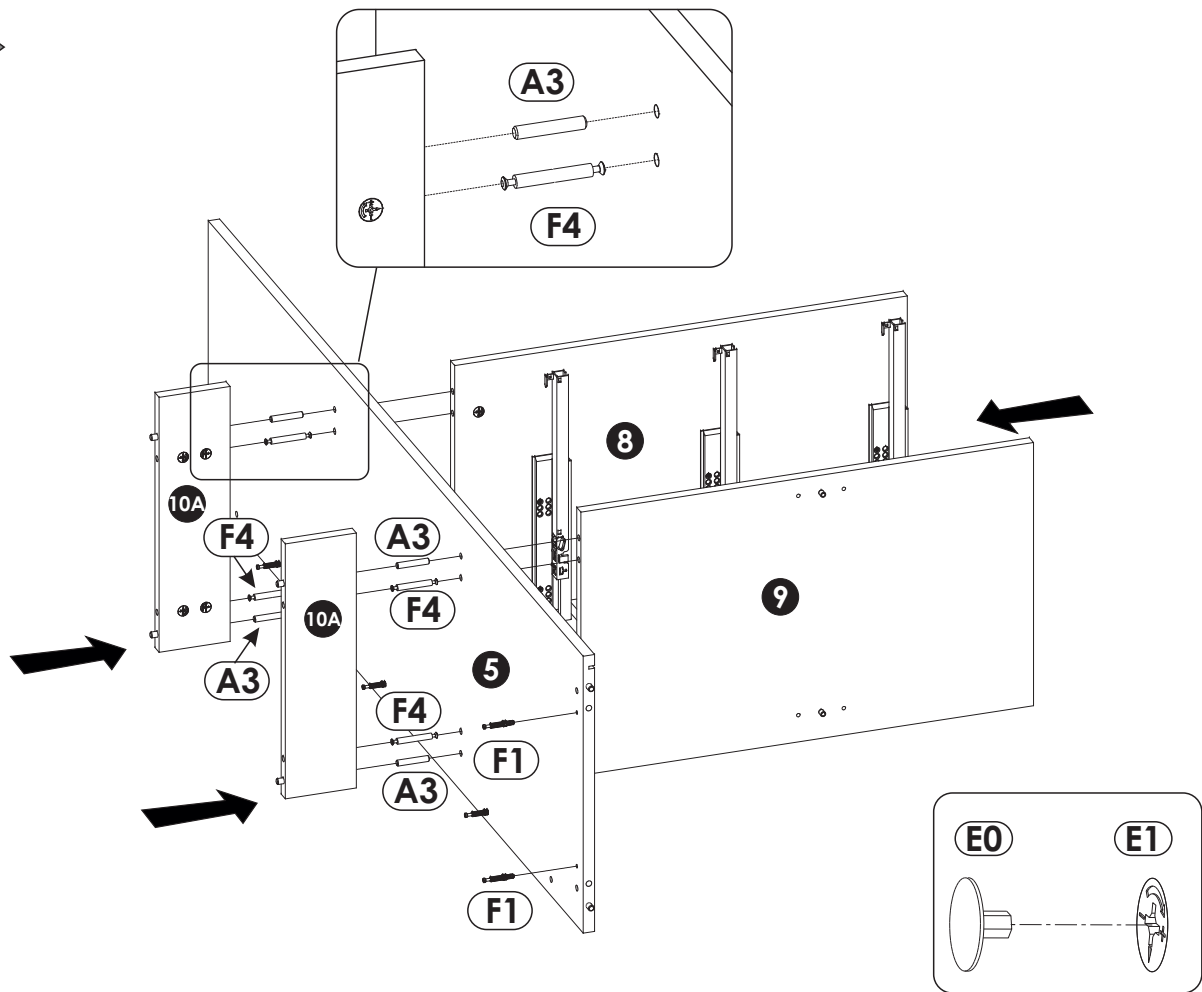
21 ▶



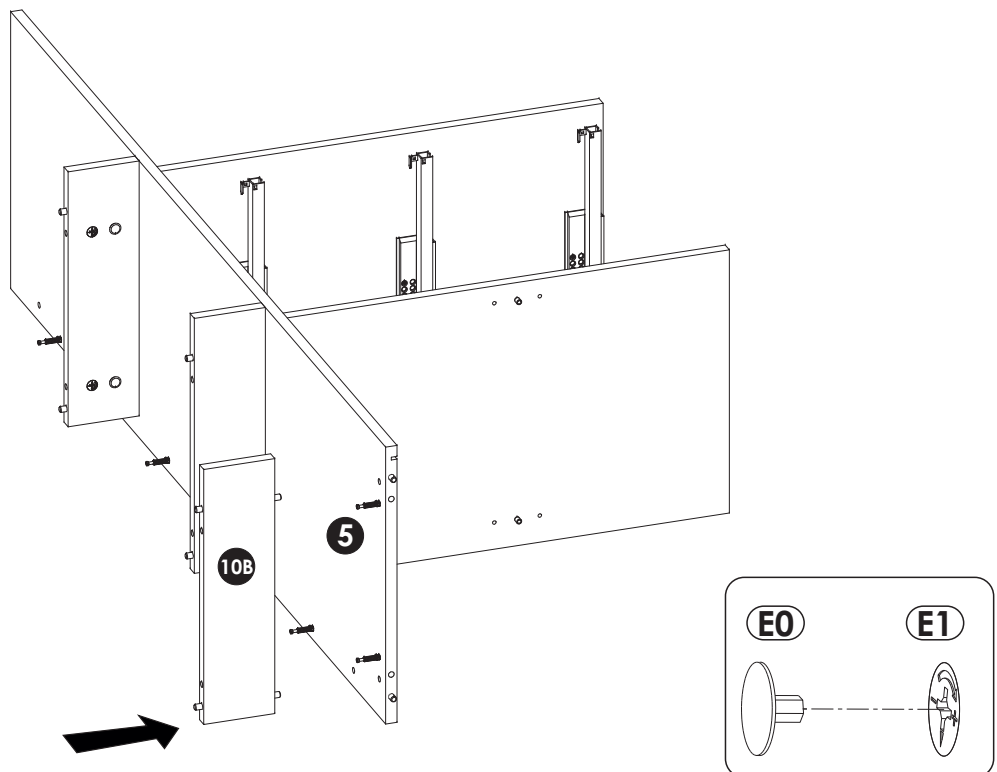
22 ▶



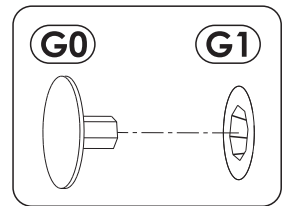
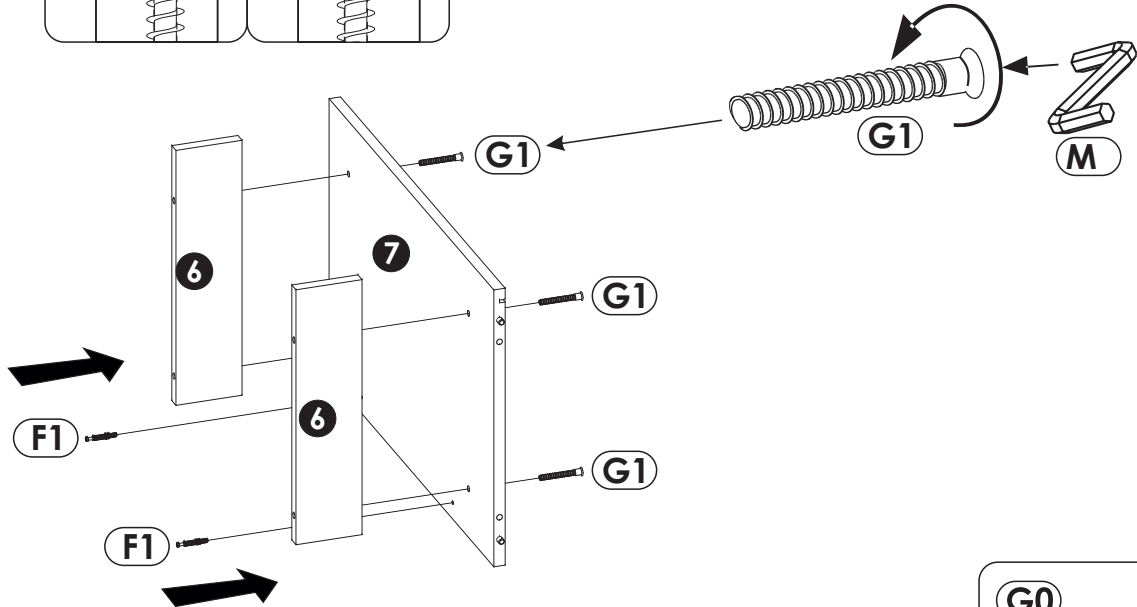
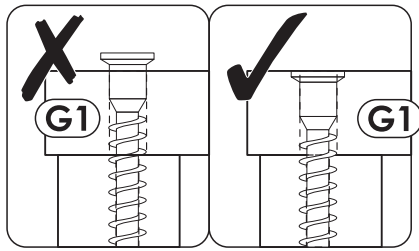
23 ▶



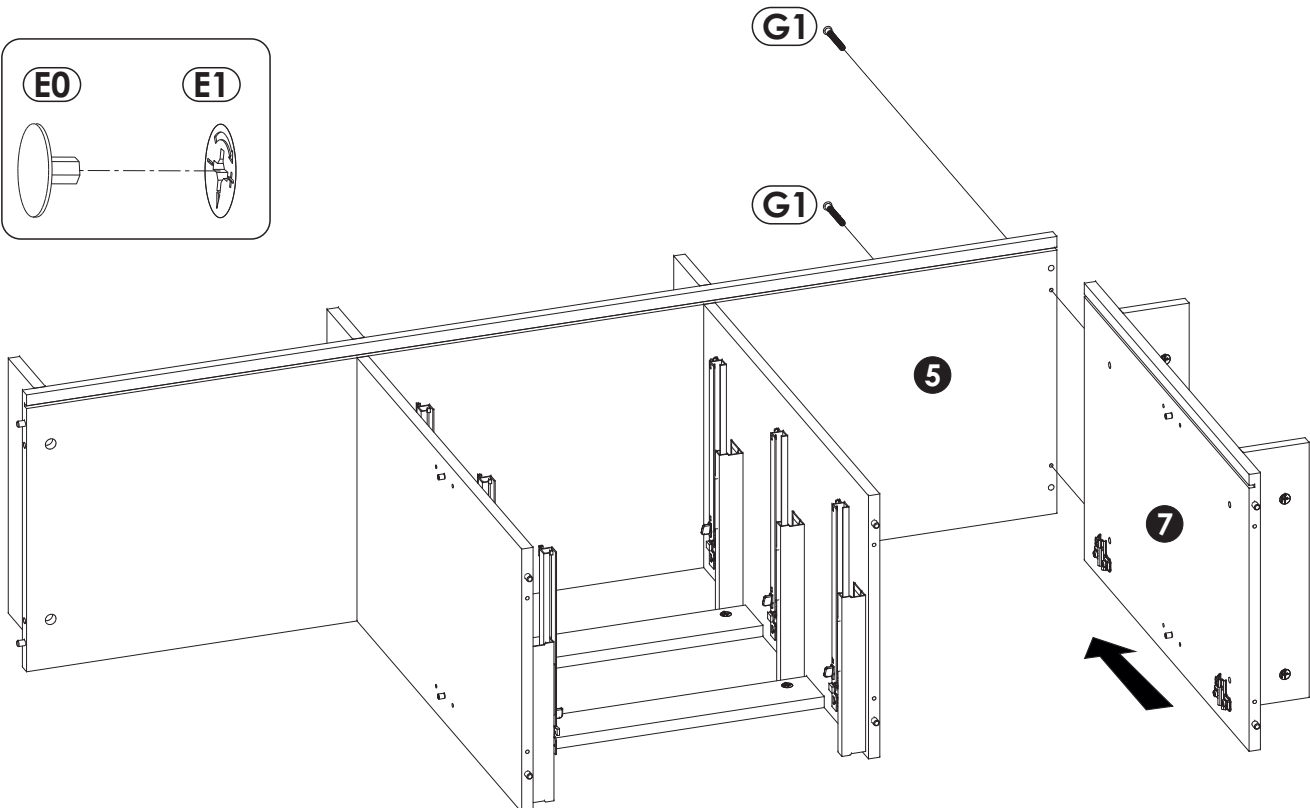
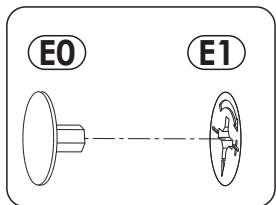
24 ▶



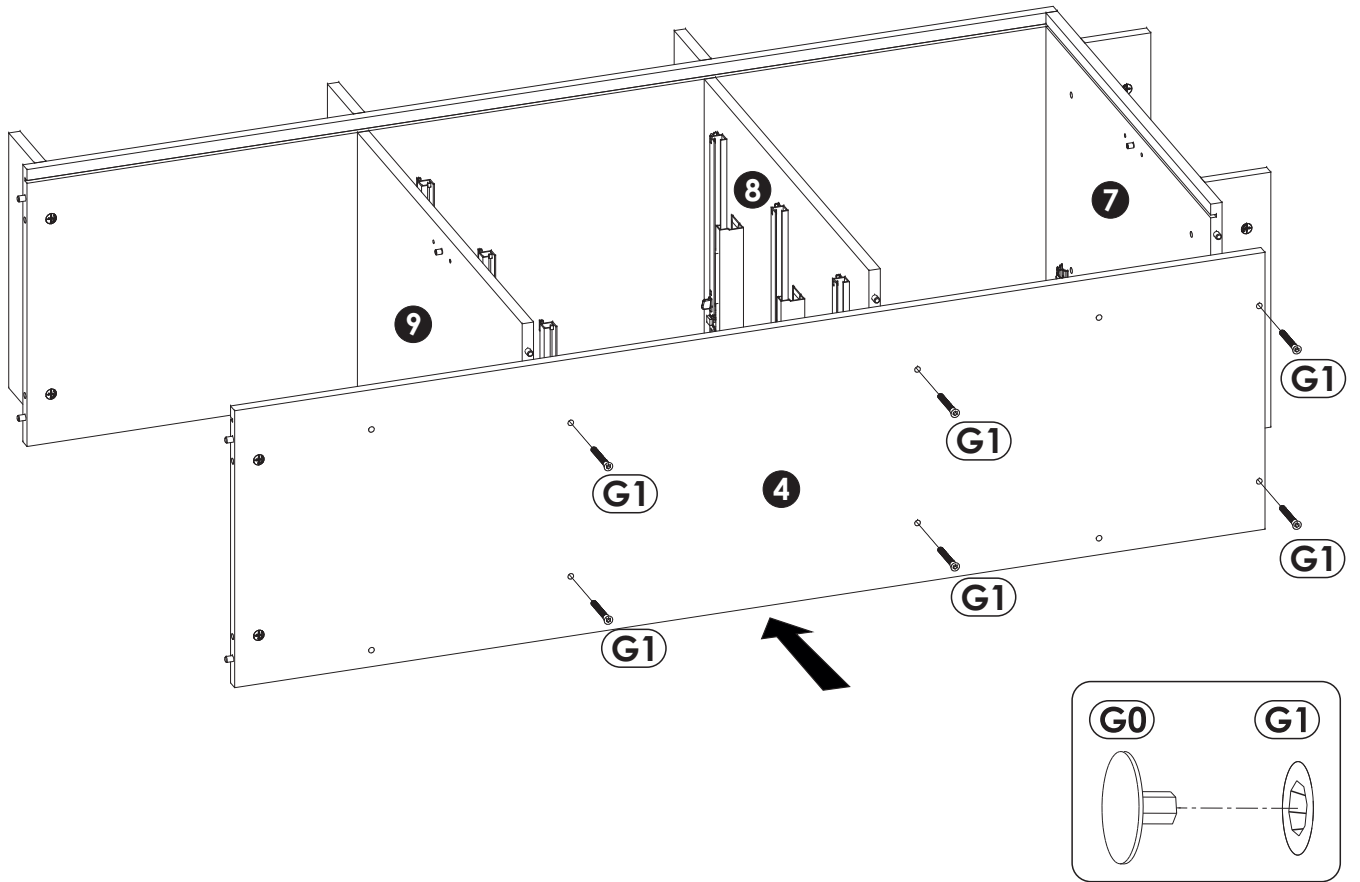
25 ▶



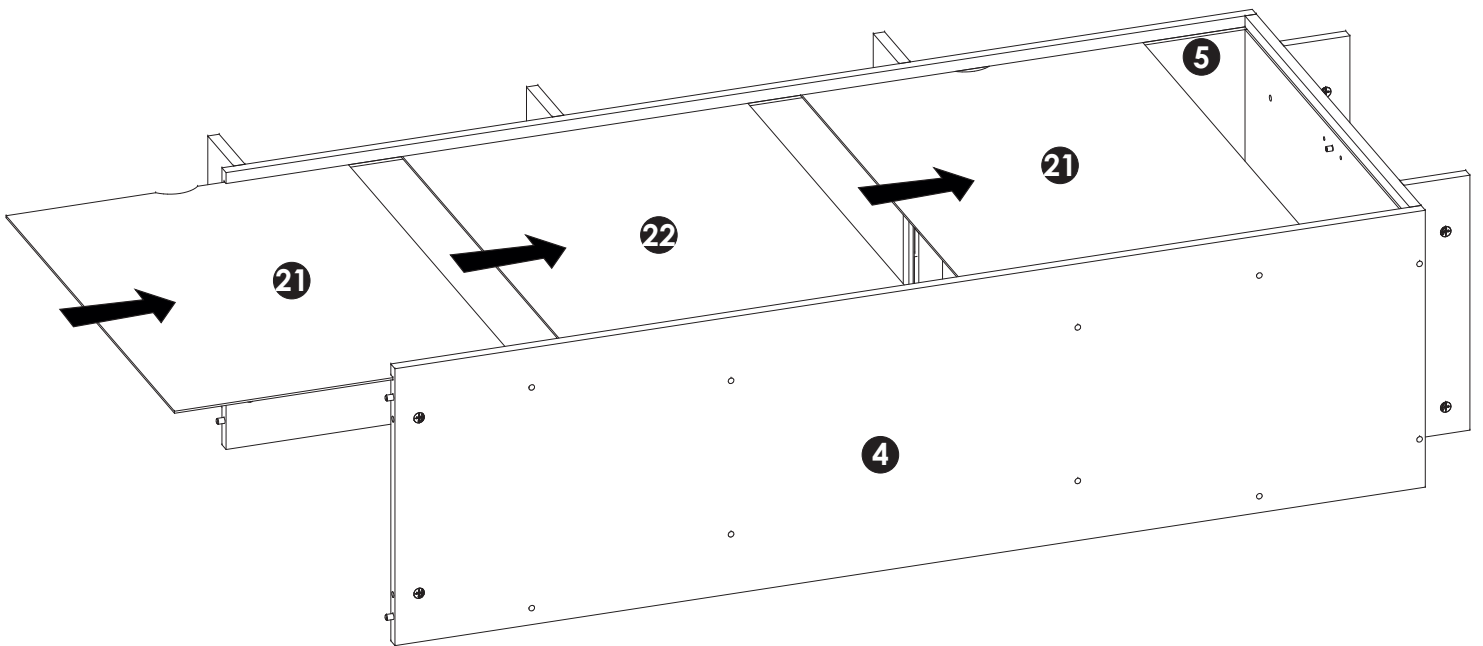
26 ▶



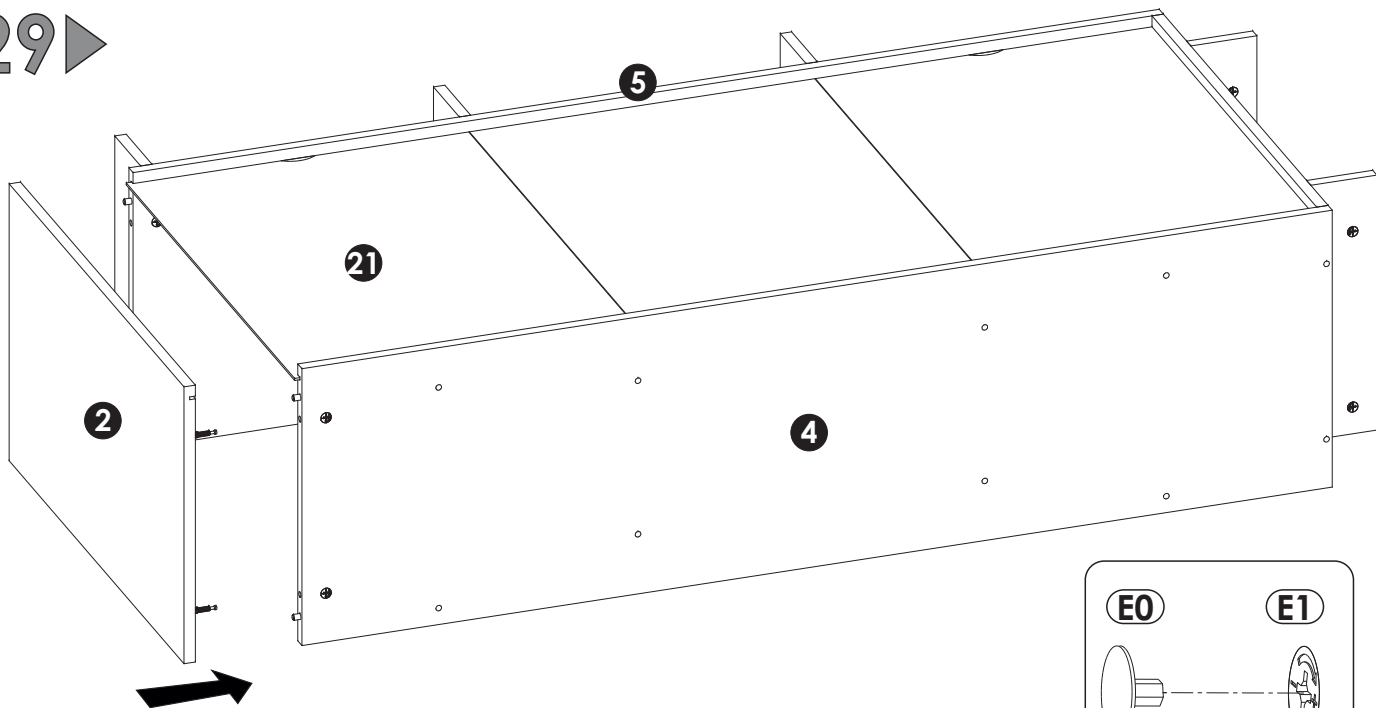
27 ▶



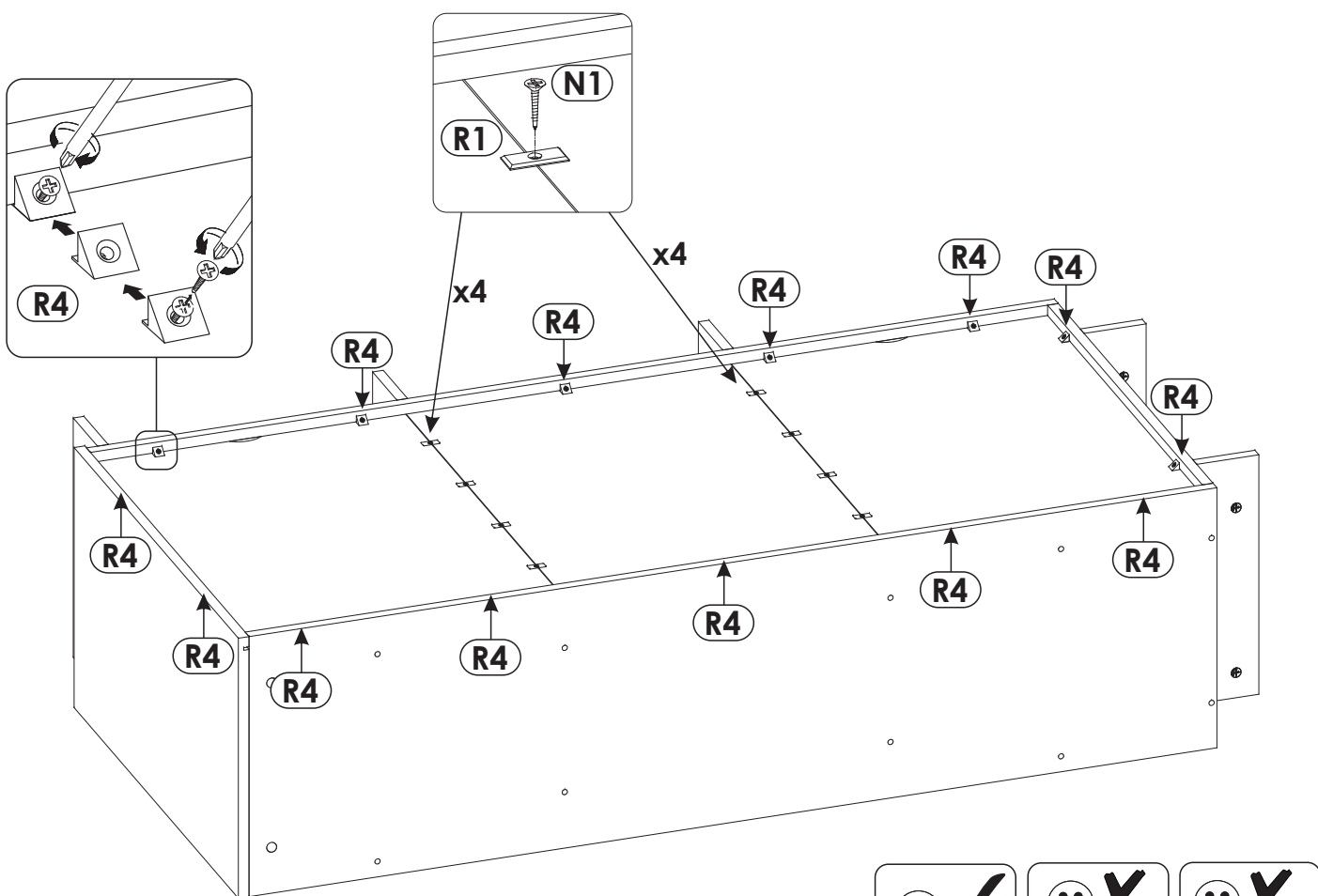
28 ▶



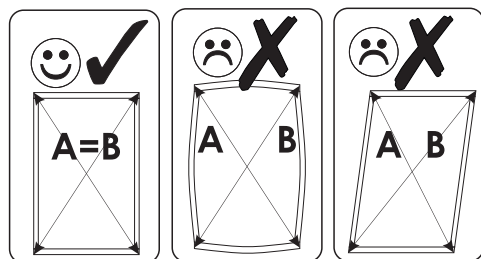
29 ▶



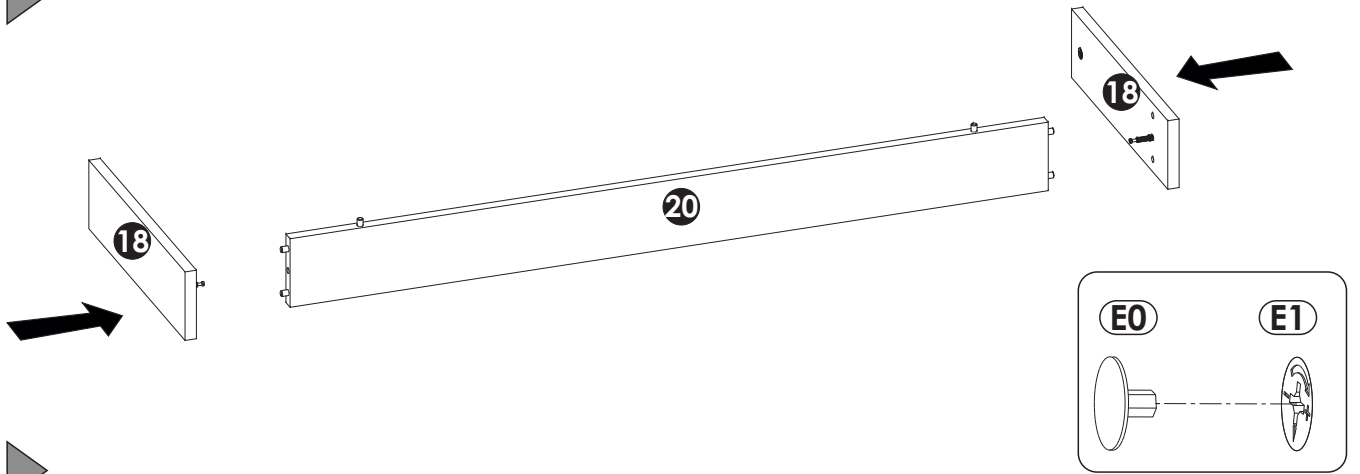
30 ▶



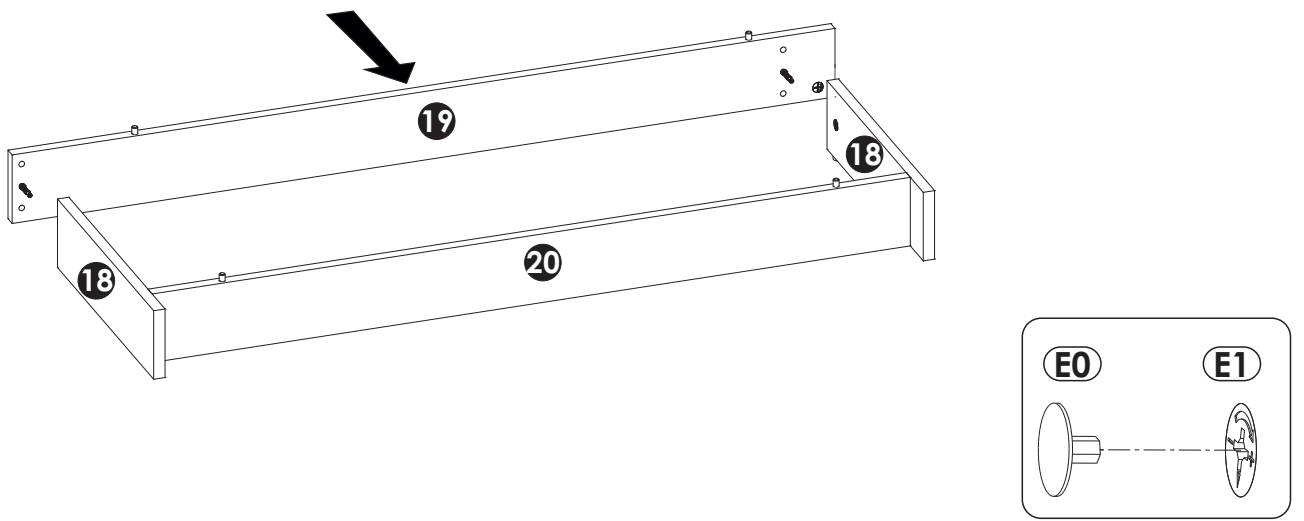
A=B



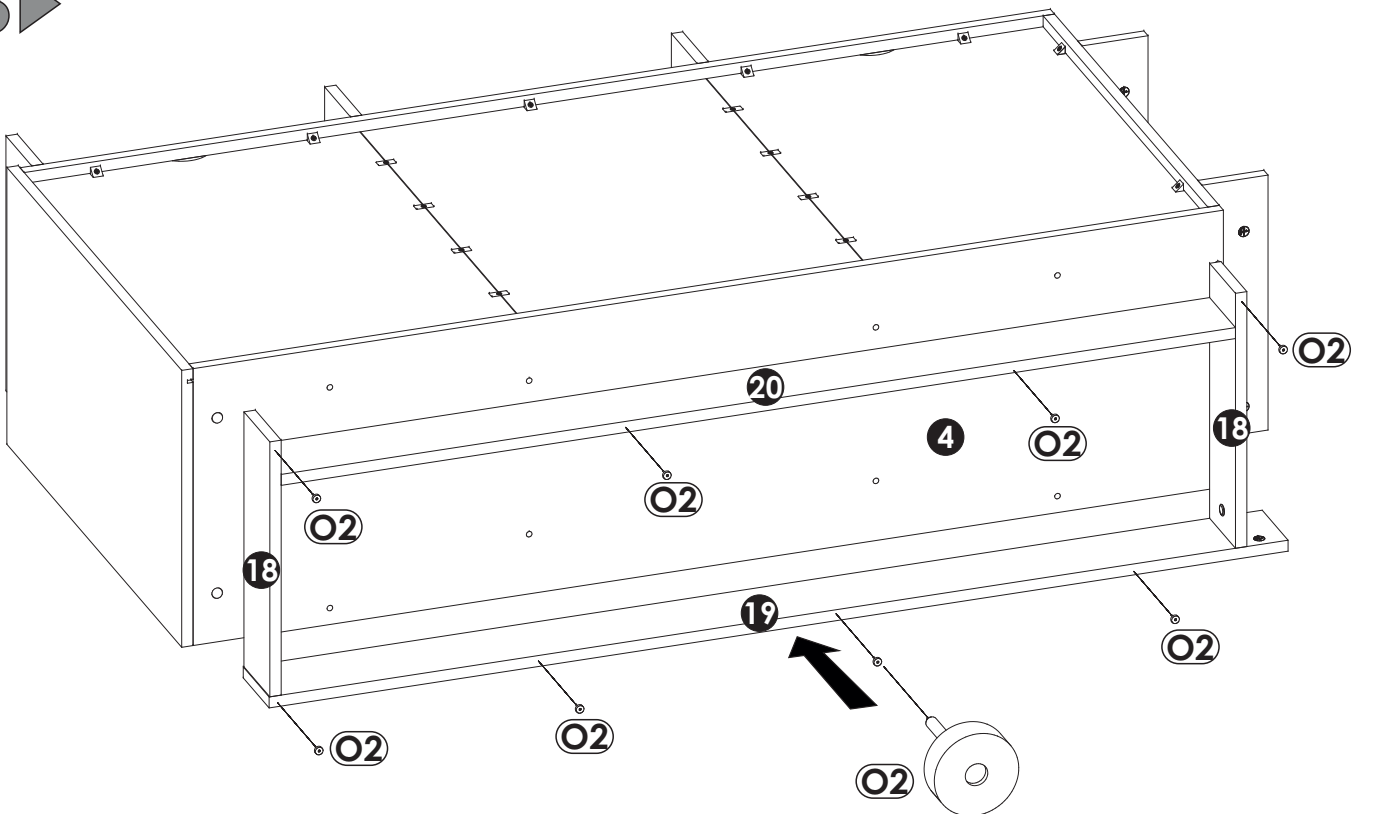
31 ▶



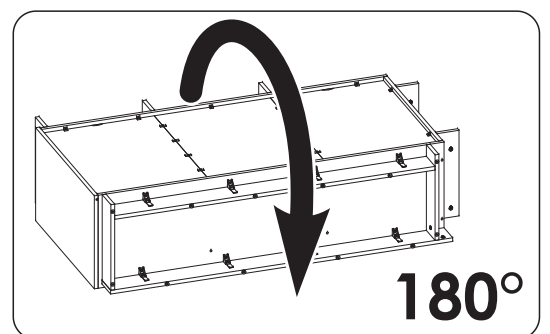
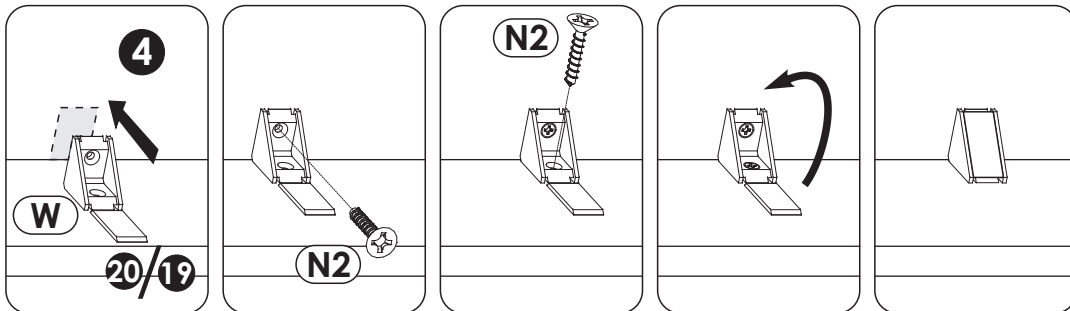
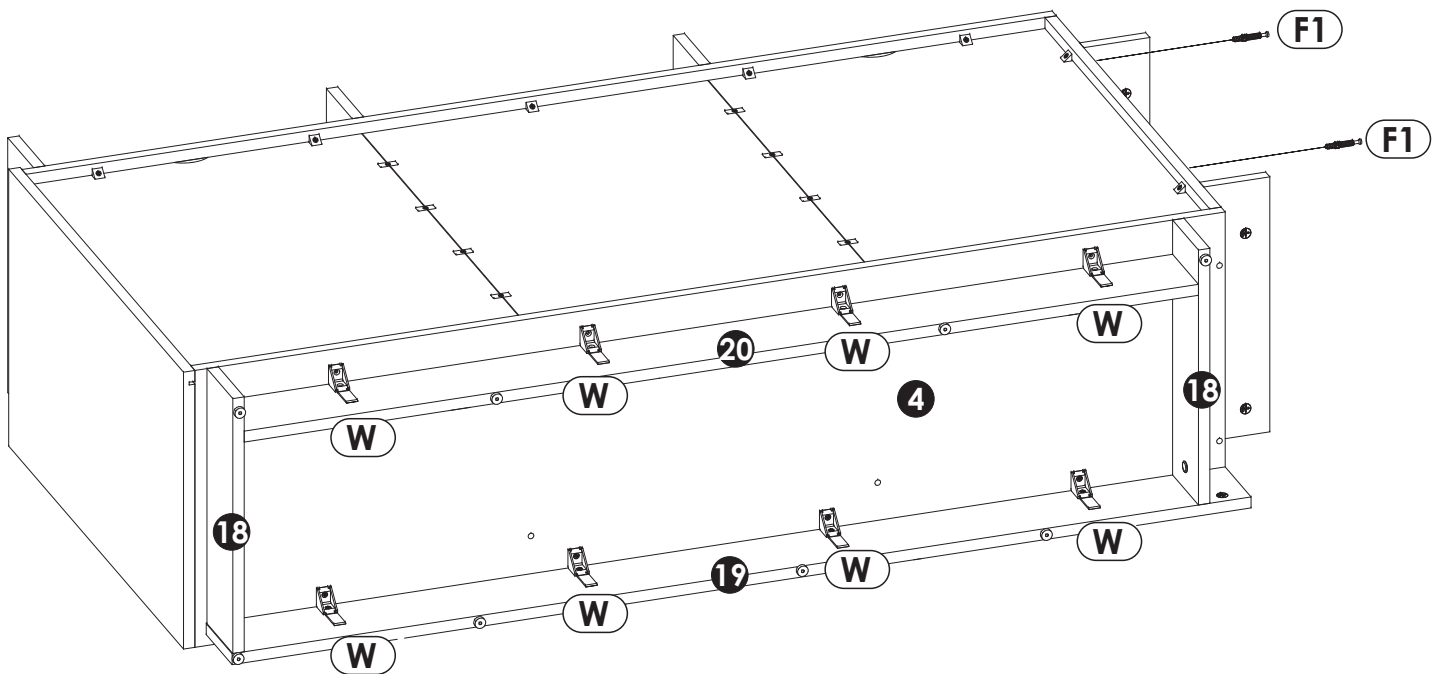
32 ▶



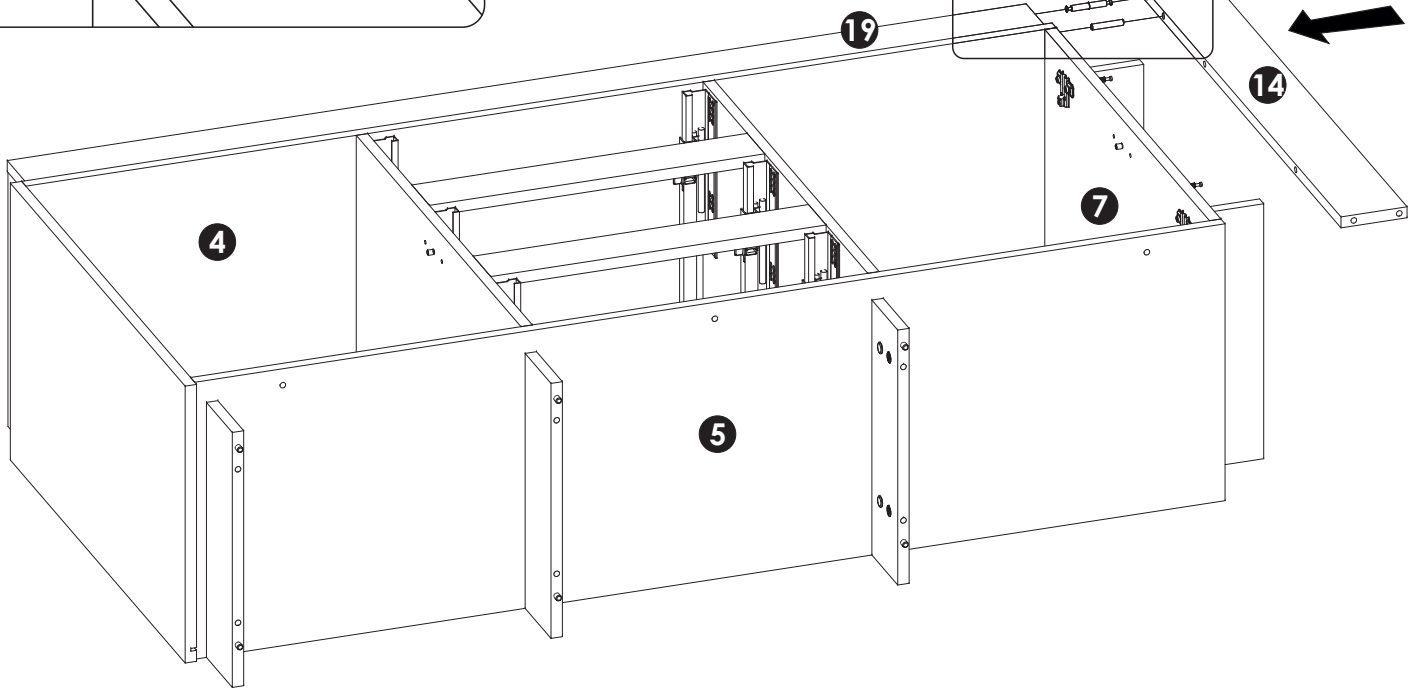
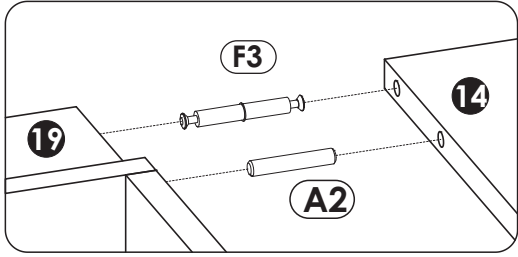
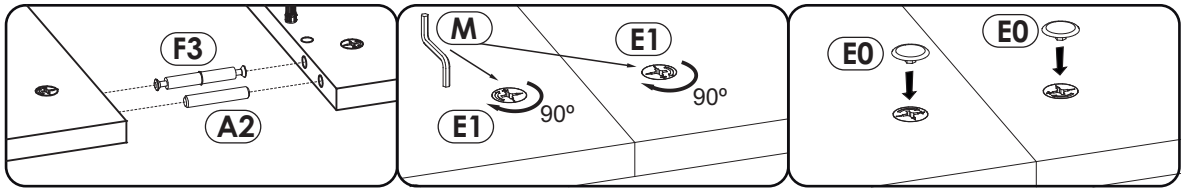
33 ▶



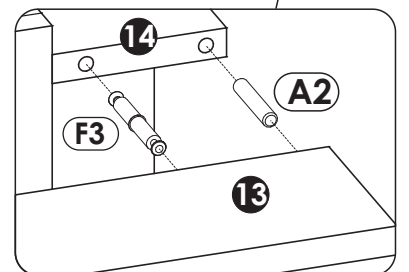
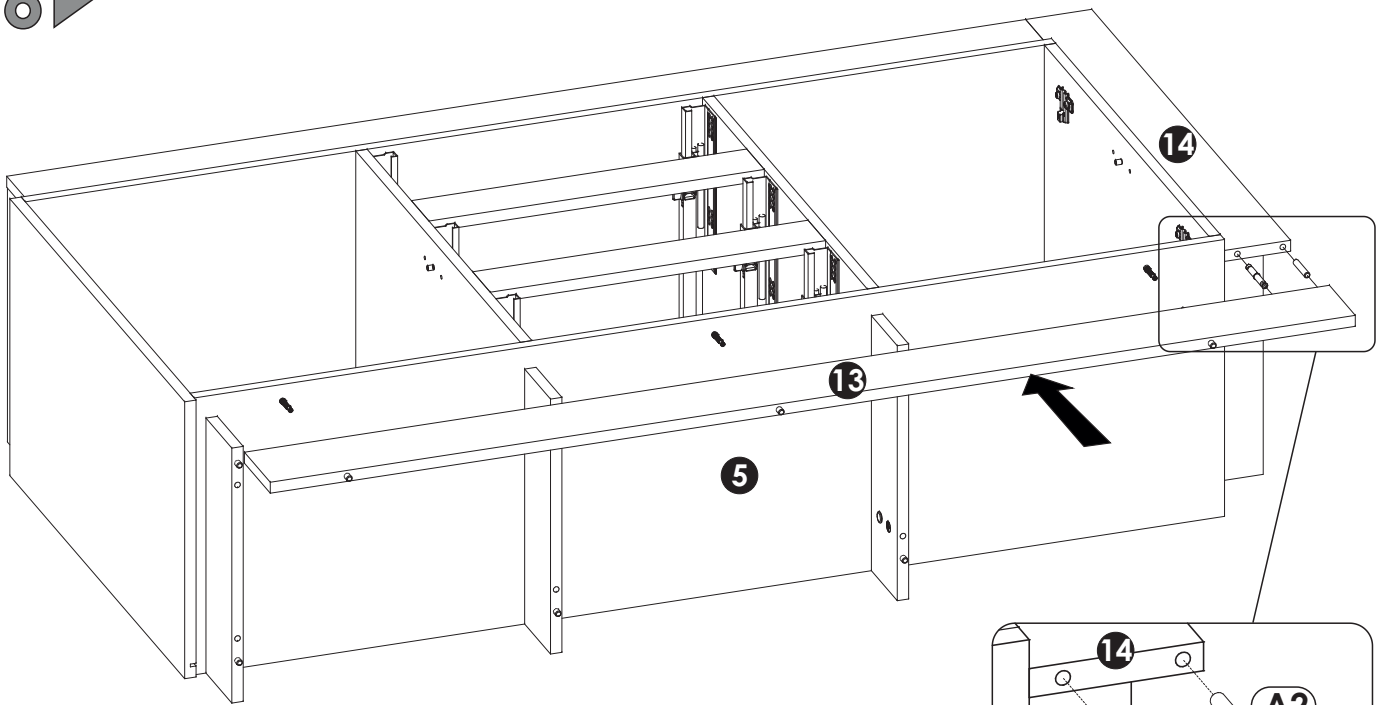
34▶



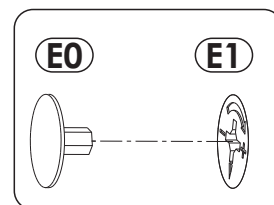
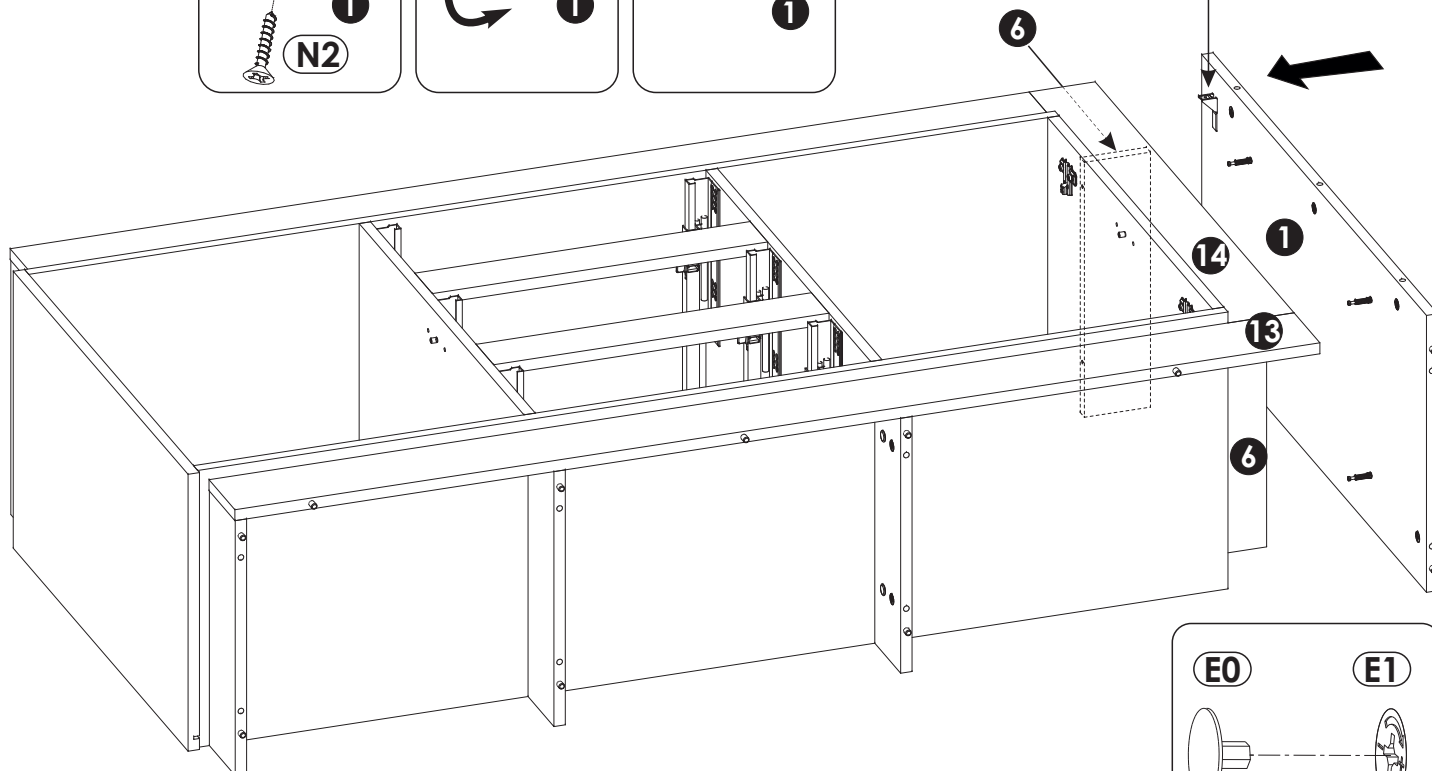
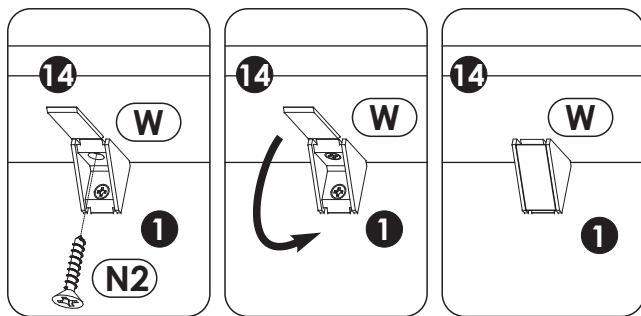
35 ▶



36 ▶

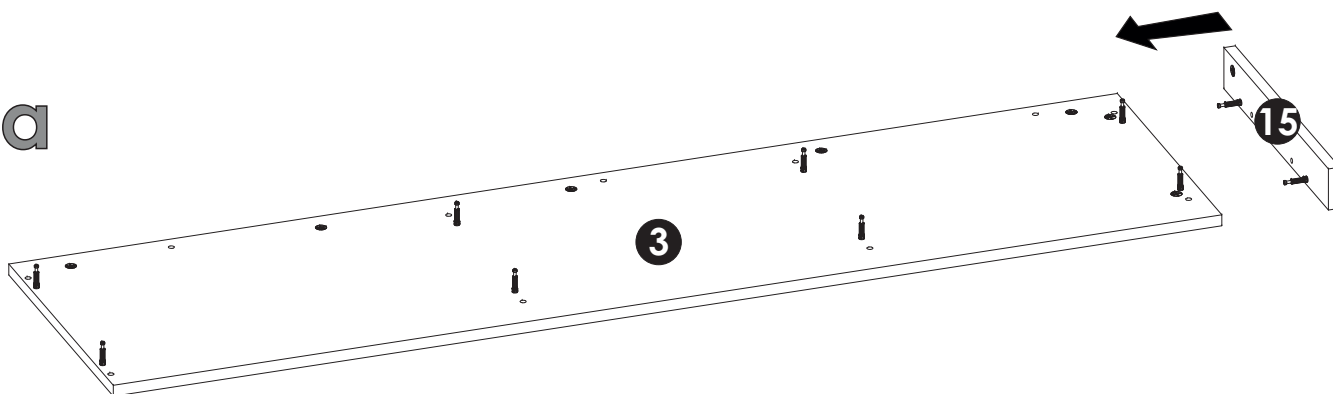


37 ▶

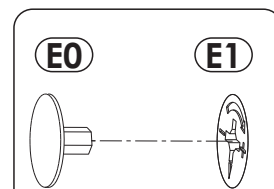
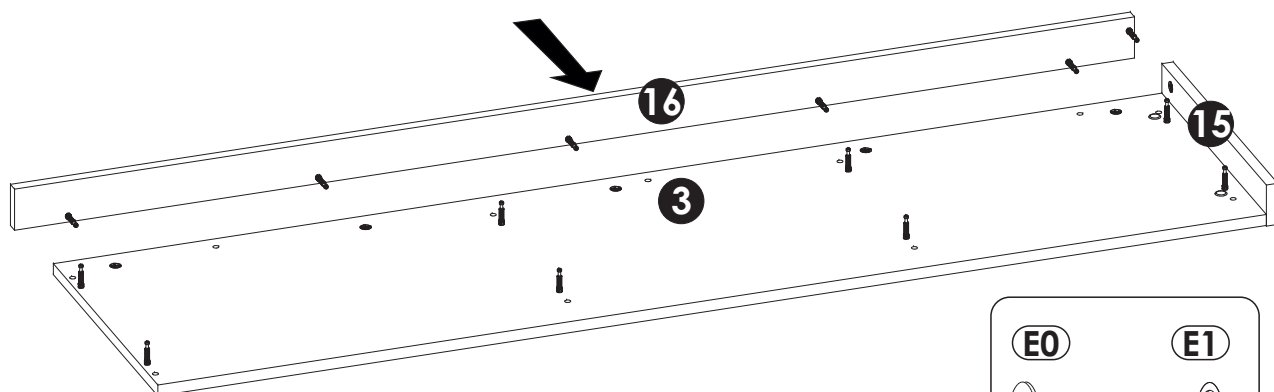


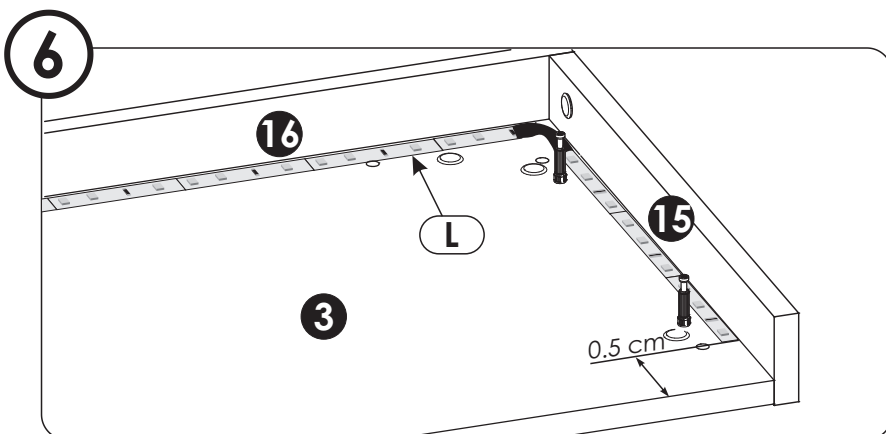
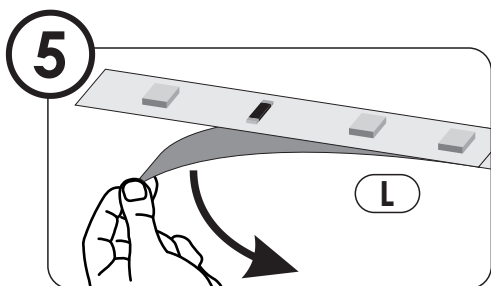
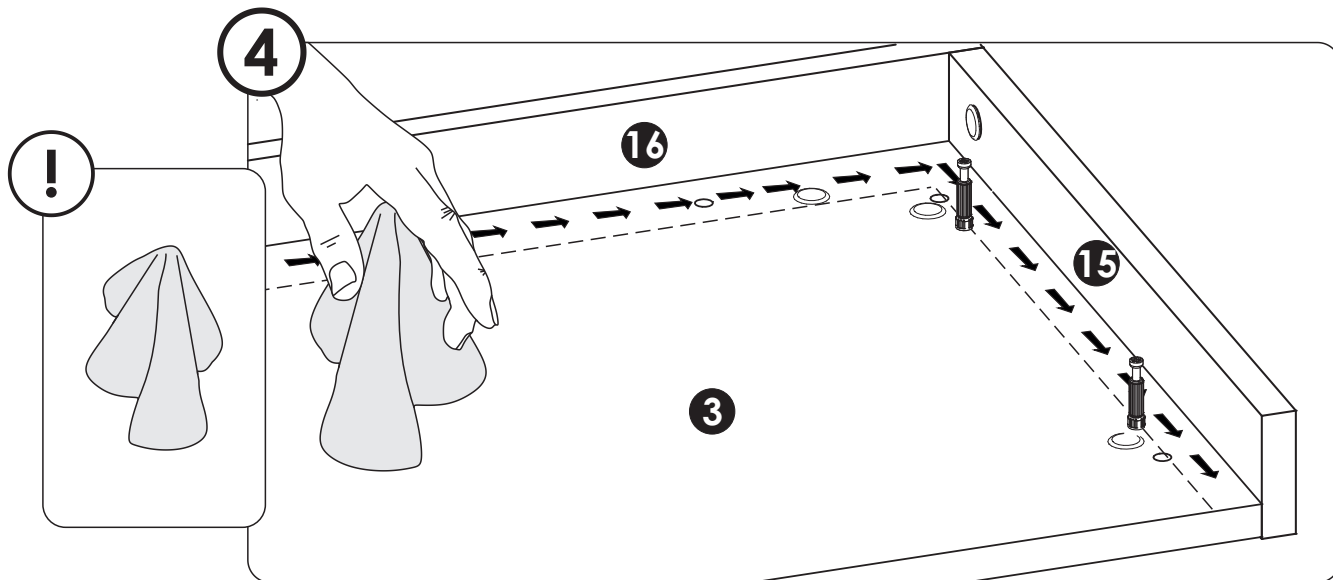
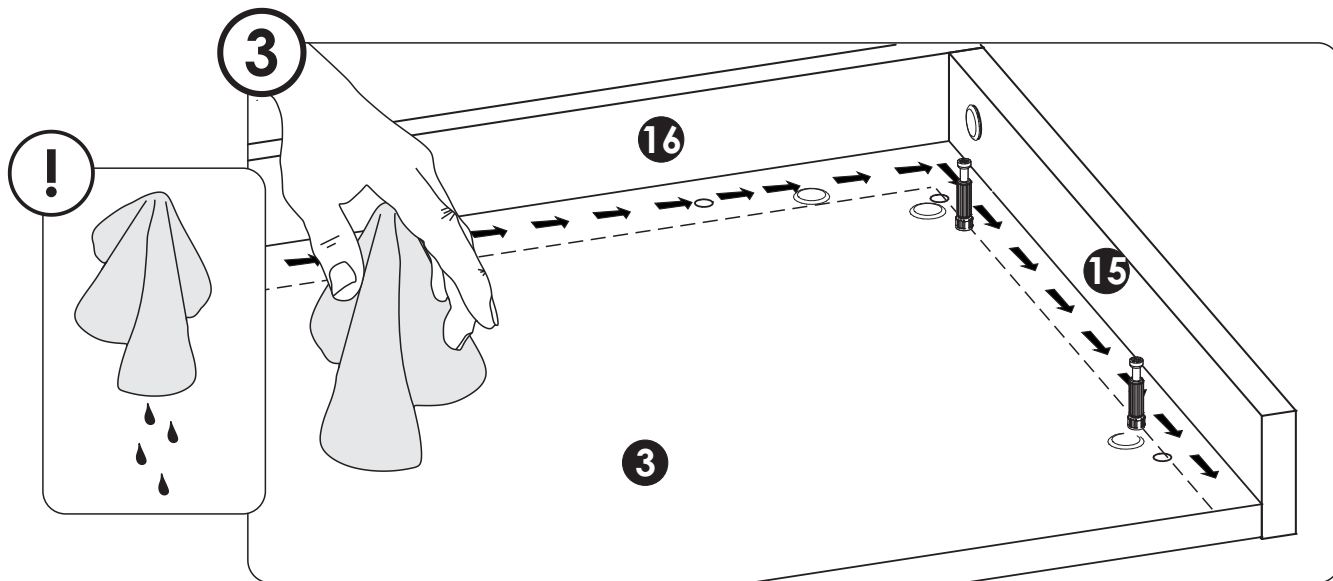
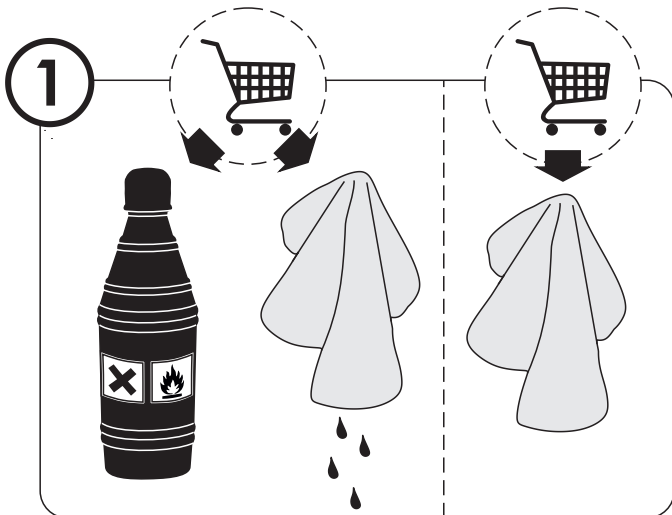
38 ▶

a

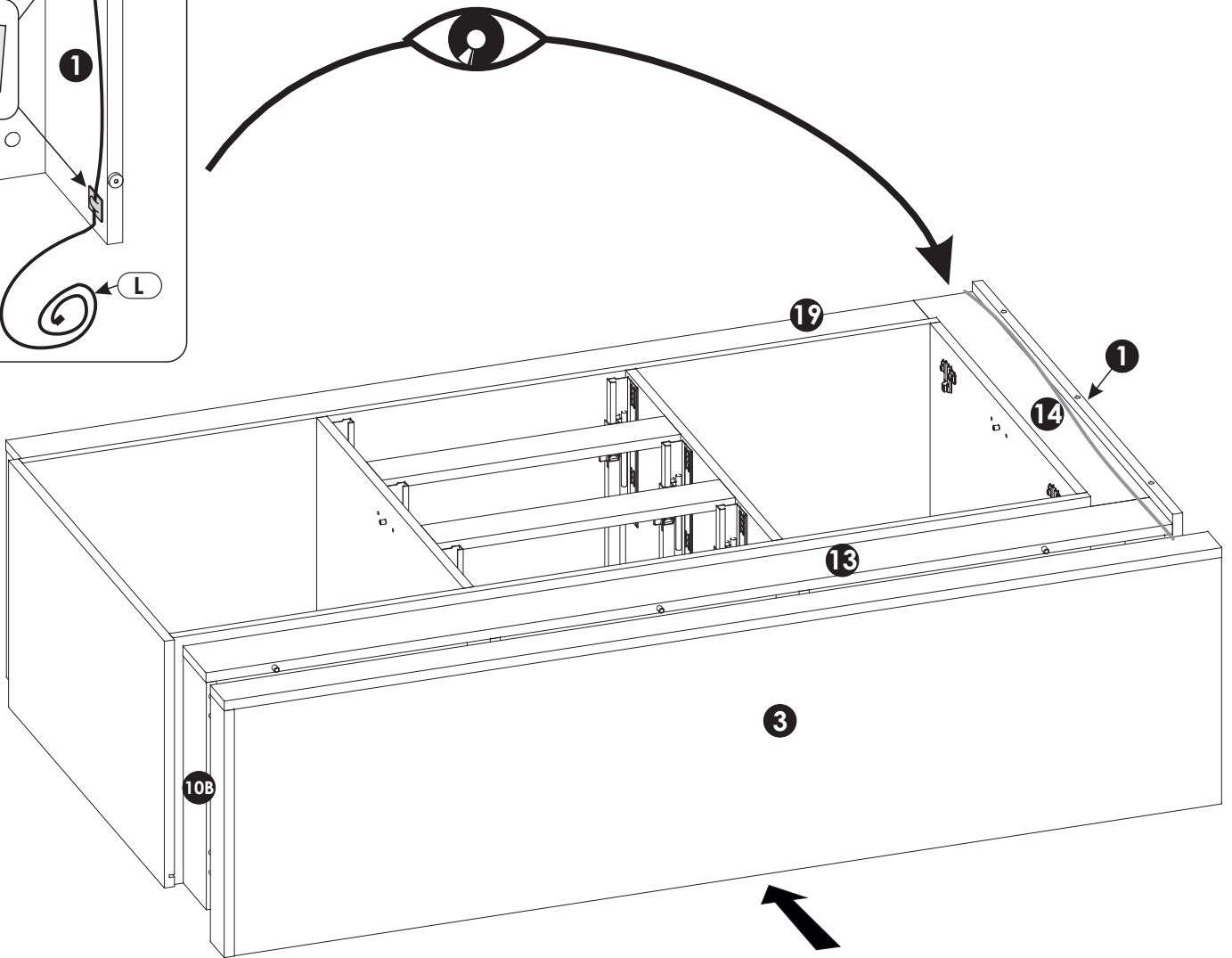
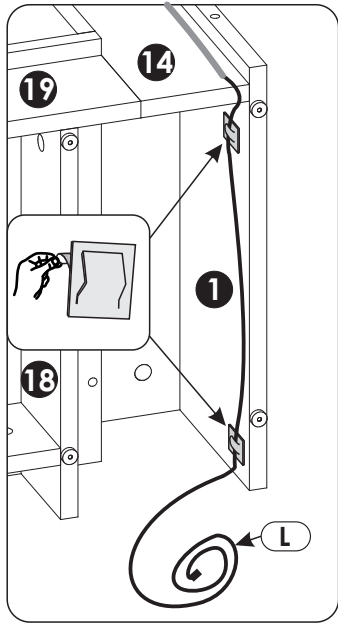


b

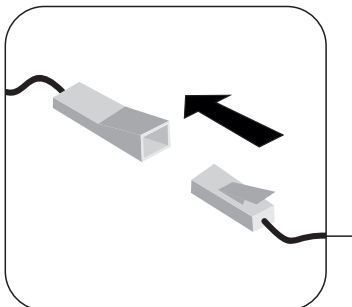
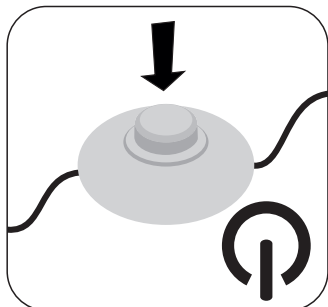
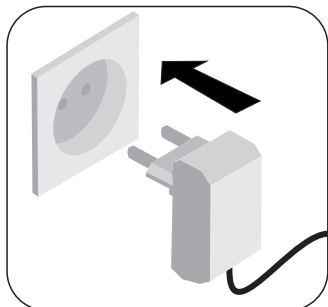
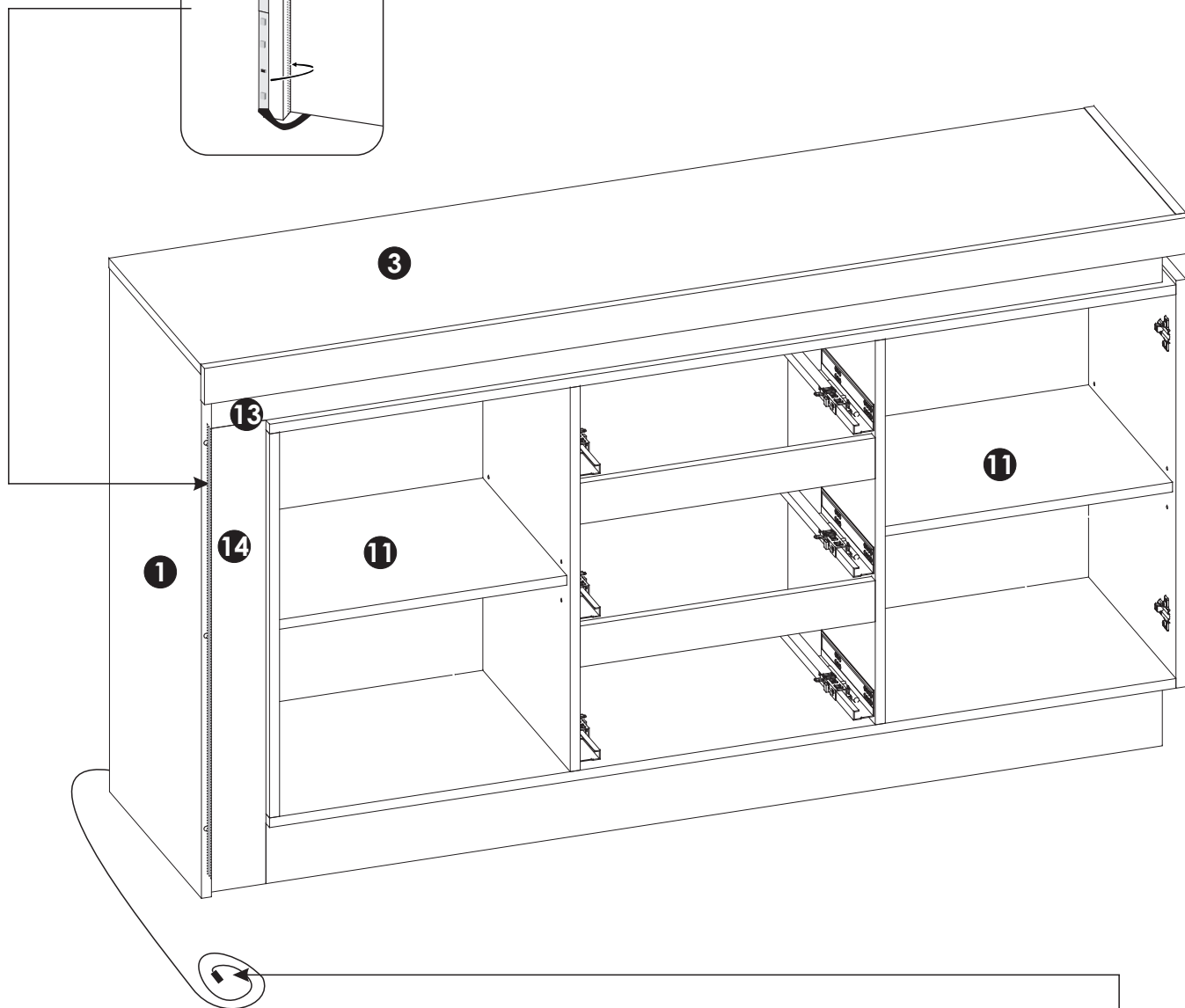
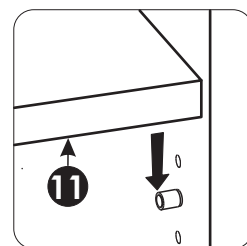
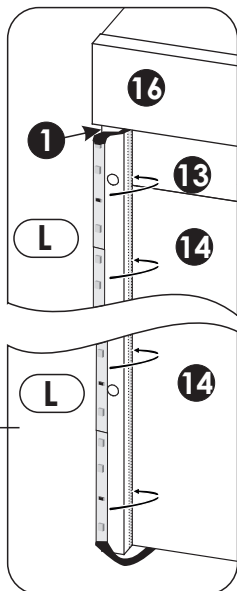


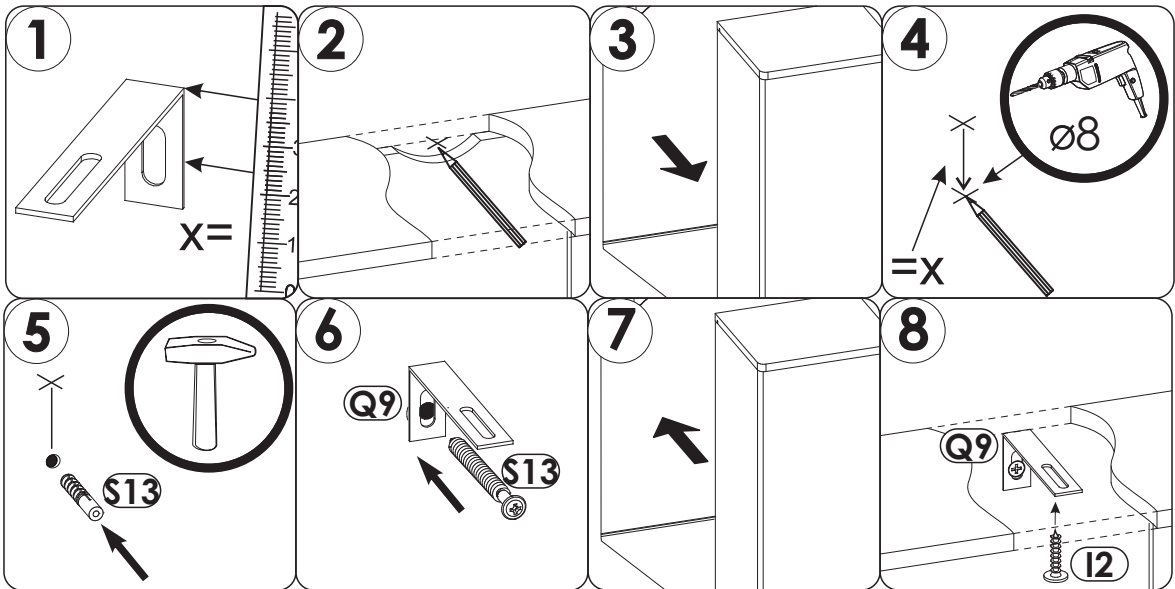
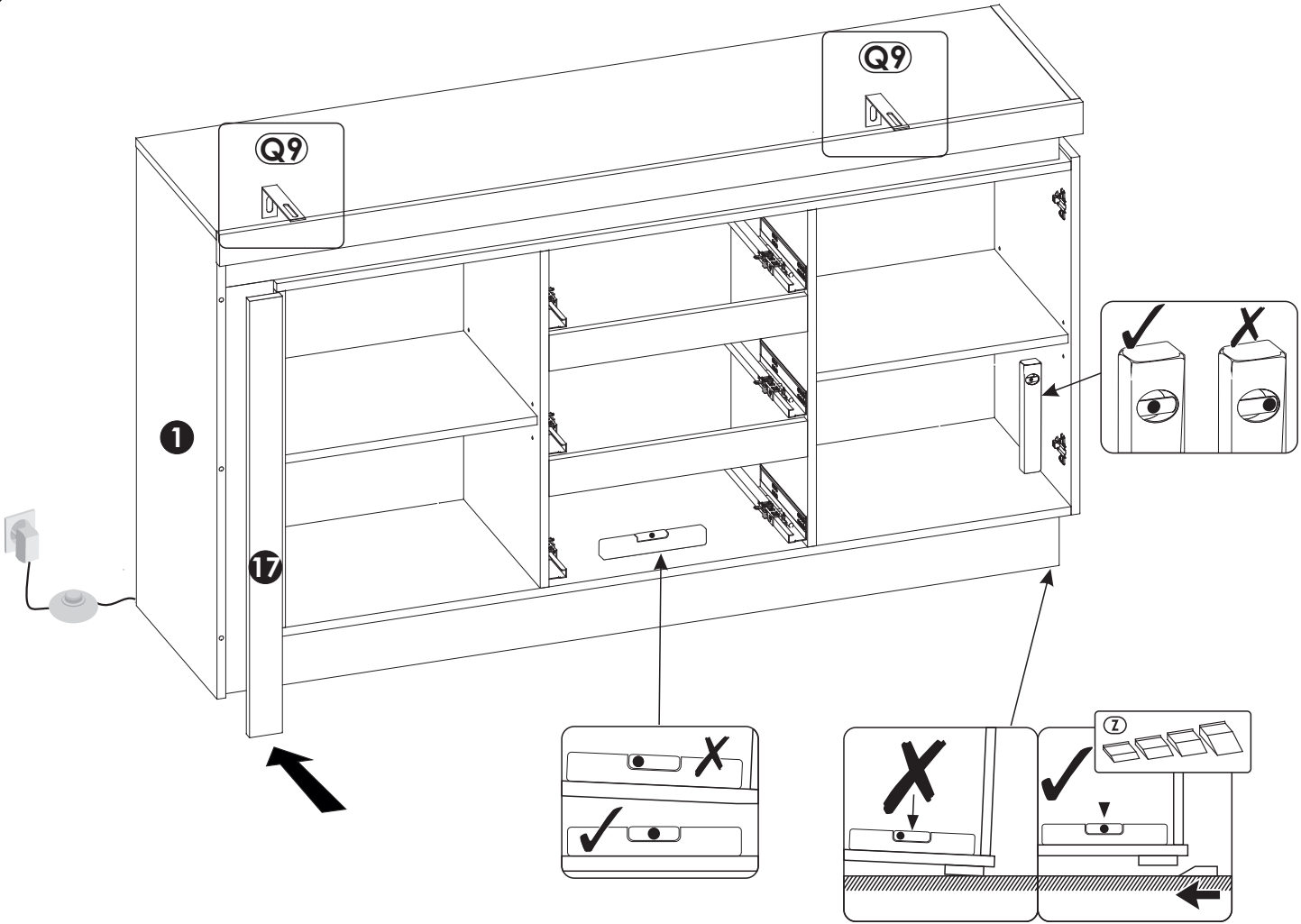
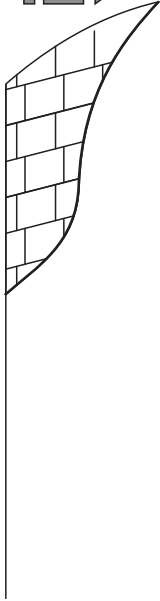
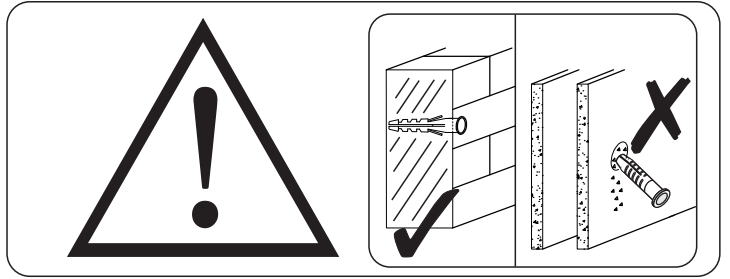


40 ▶

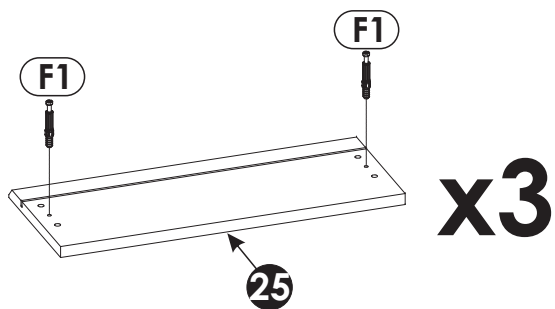


41 ▶

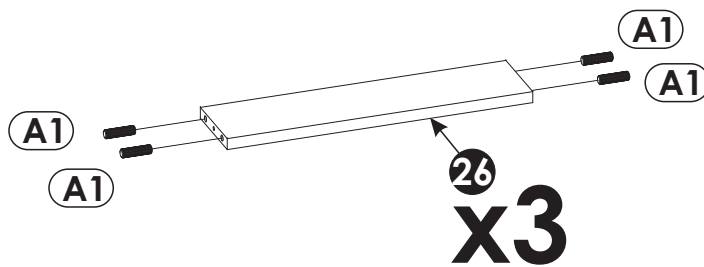
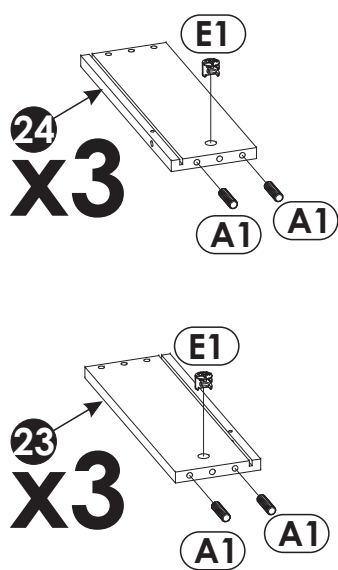




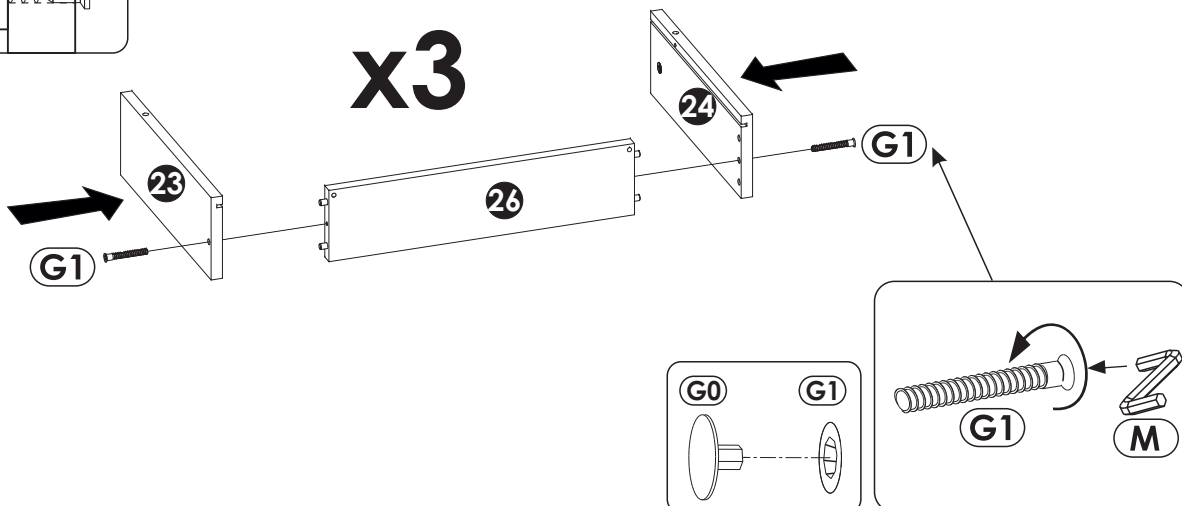
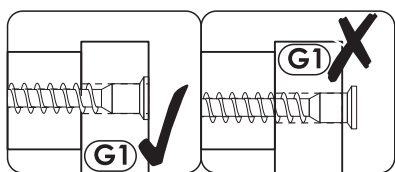
43▶▶



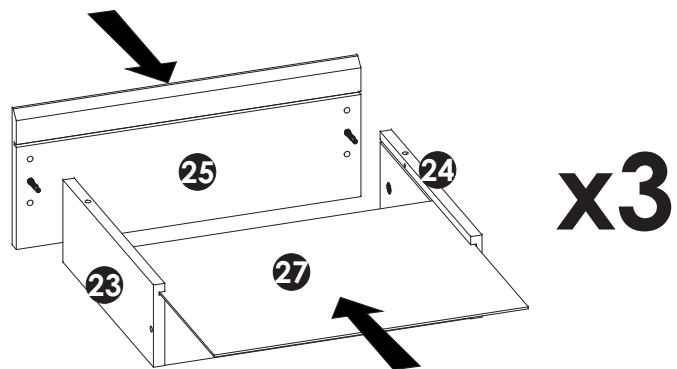
44▶▶



45▶▶



46 ▶



47 ▶

