
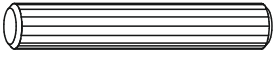
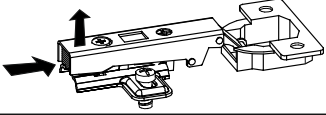
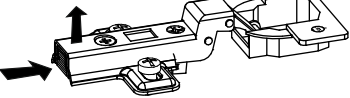


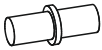




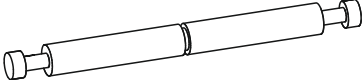






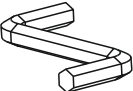

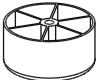


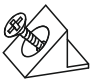
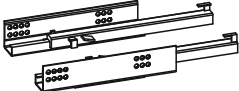
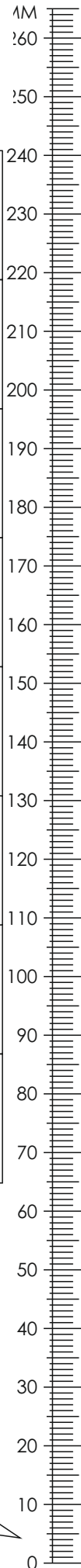
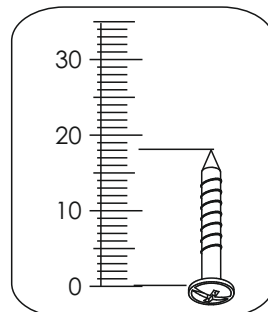
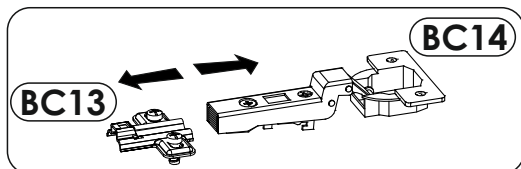
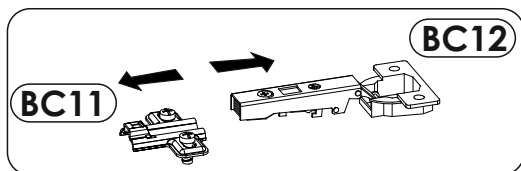
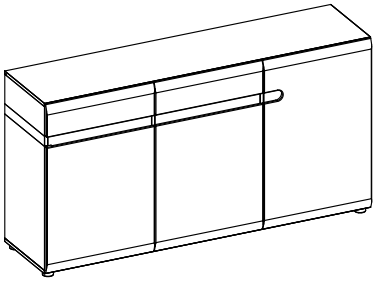
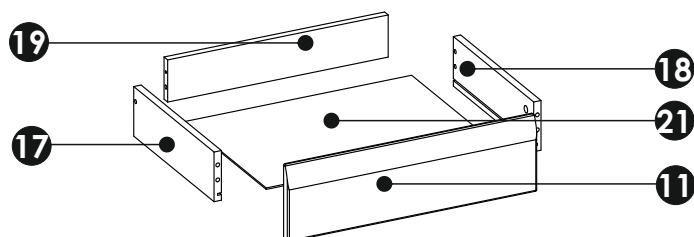
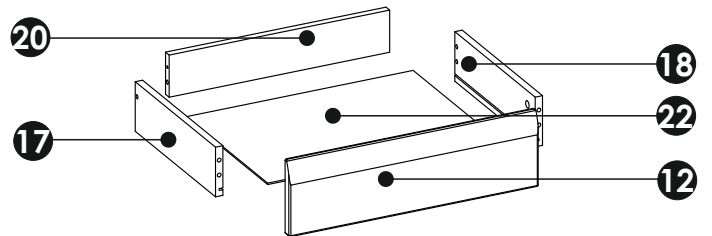
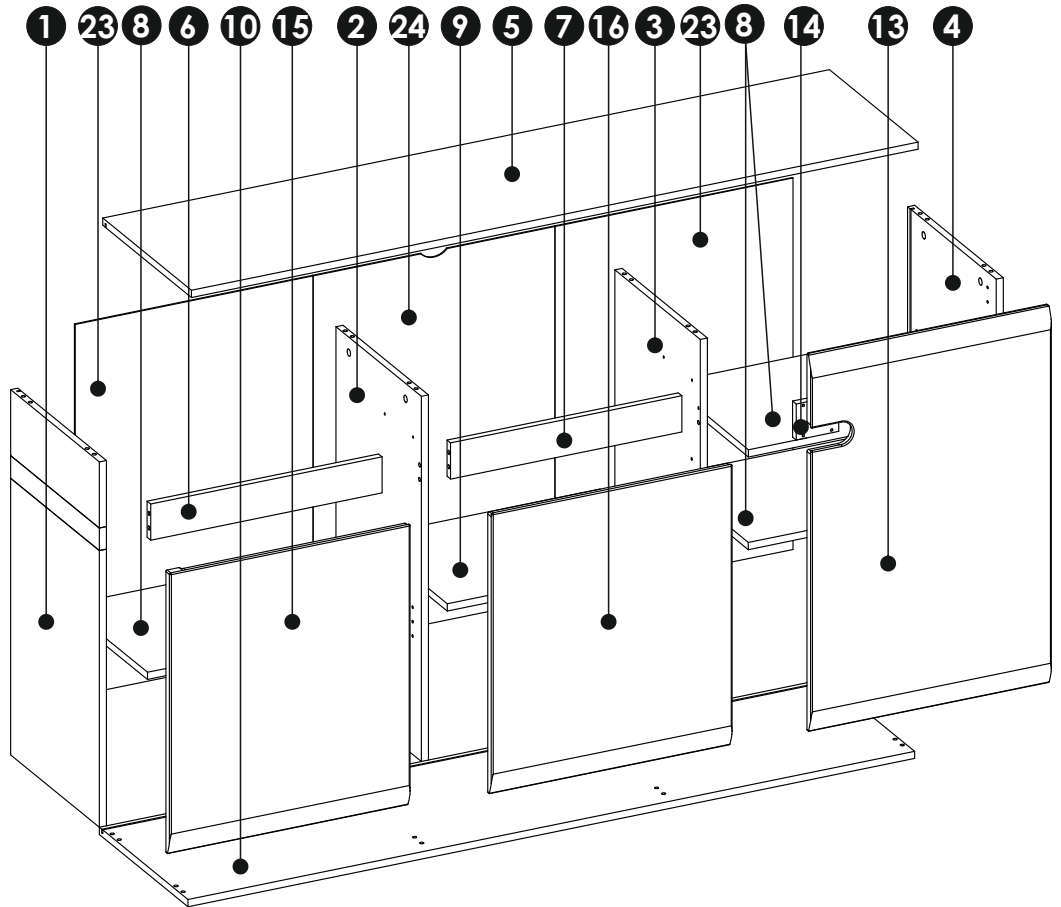


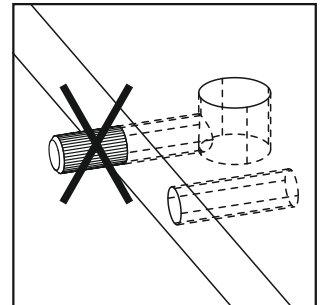
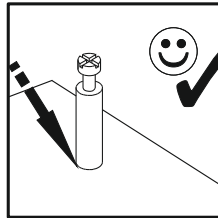
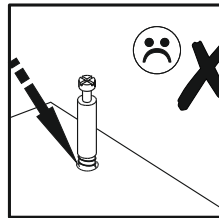
A1 x26 $\phi 8 \times 35$ mm 	A3 x1 $\phi 8 \times 60$ mm 	BC11 + BC12 x4 
BC13 + BC14 x2 	C1 x12 4 x 13 mm 	C2 x8 5 x 13 mm 
D2 x16 	E0a x4 	E0b x12 
E1 x16 	F1 x14 	F4 x1 $\phi 7 \times 76$ mm 
G0a x8 	G0b x4 	G1 x12 $\phi 7 \times 50$ mm 
I2 x1 4 x 16 mm 	I10 x6 3,5 x 22 mm 	J6 x4 4 x 30 mm 
M x1 	N1 x20 3 x 16 mm 	O15 x6 $\phi 50 \times 25$ mm 
Q9 x1 	R1 x10 	R4 x16 
T11 x2 		



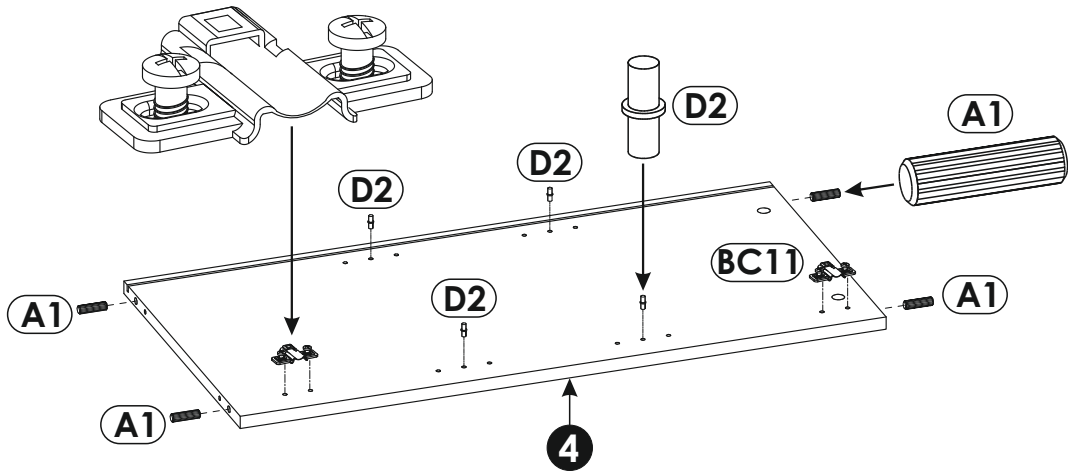


1	808	400	16	x1	2/2
2	808	385	16	x1	2/2
3	808	385	16	x1	2/2
4	808	400	16	x1	2/2
5	1640	400	16	x1	2/2
6	522	80	16	x1	1/2
7	530	80	16	x1	1/2
8	522	370	16	x3	2/2
9	530	370	16	x1	1/2
10	1640	400	16	x1	2/2
11	543	160	19	x1	1/2
12	543	160	19	x1	1/2
13	543	836	19	x1	1/2
14	96	80	16	x1	1/2
15	543	626	19	x1	1/2
16	543	626	19	x1	1/2
17	350	106	16	x2	1/2
18	350	106	16	x2	1/2
19	480	90	16	x1	1/2
20	488	90	16	x1	1/2
21	495	355	3	x1	1/2
22	502	355	3	x1	1/2
23	822	538	3	x2	1/2
24	822	546	3	x1	1/2

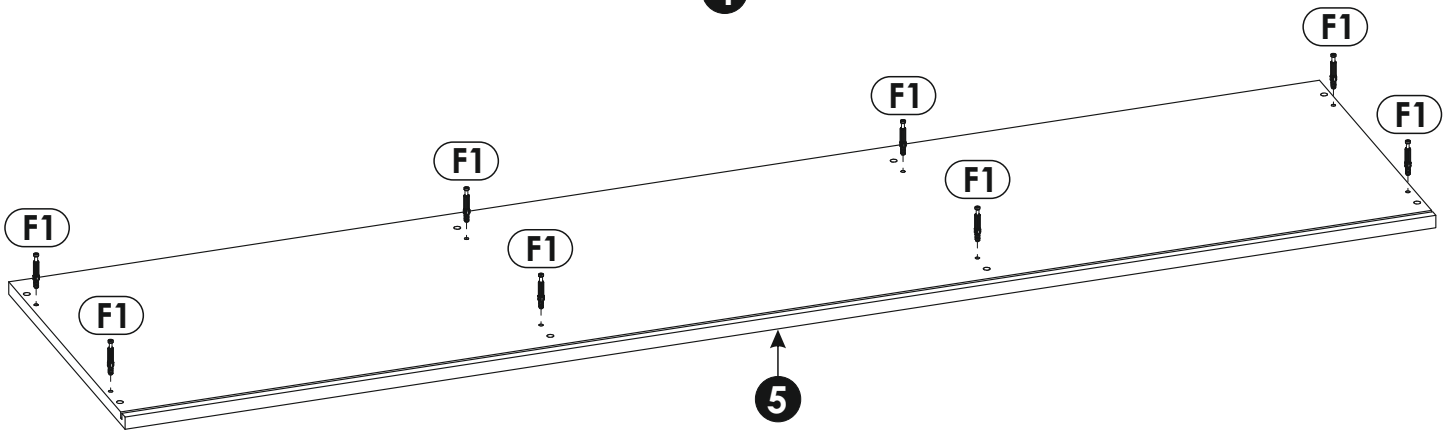




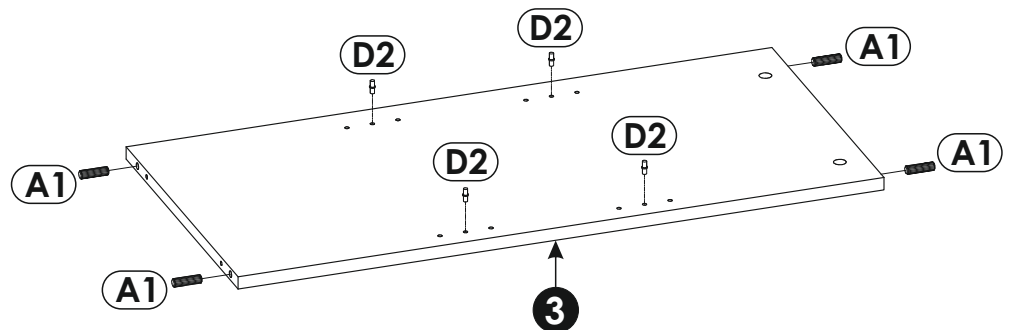
BC11



4

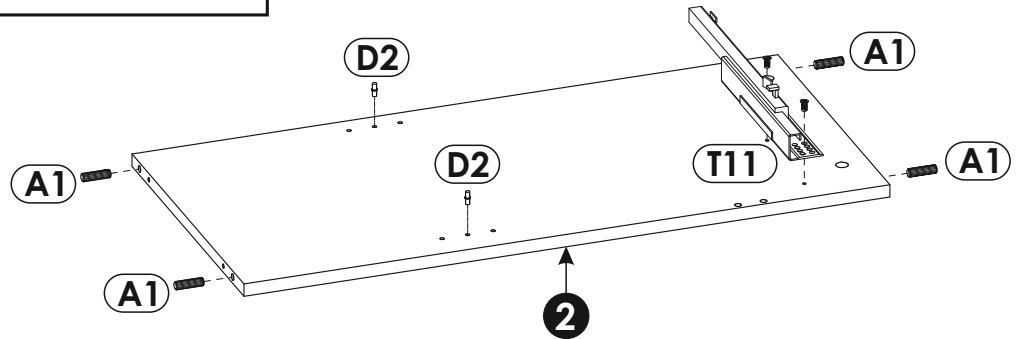
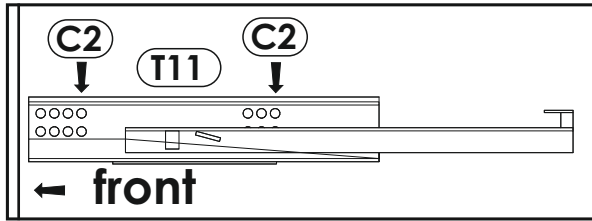
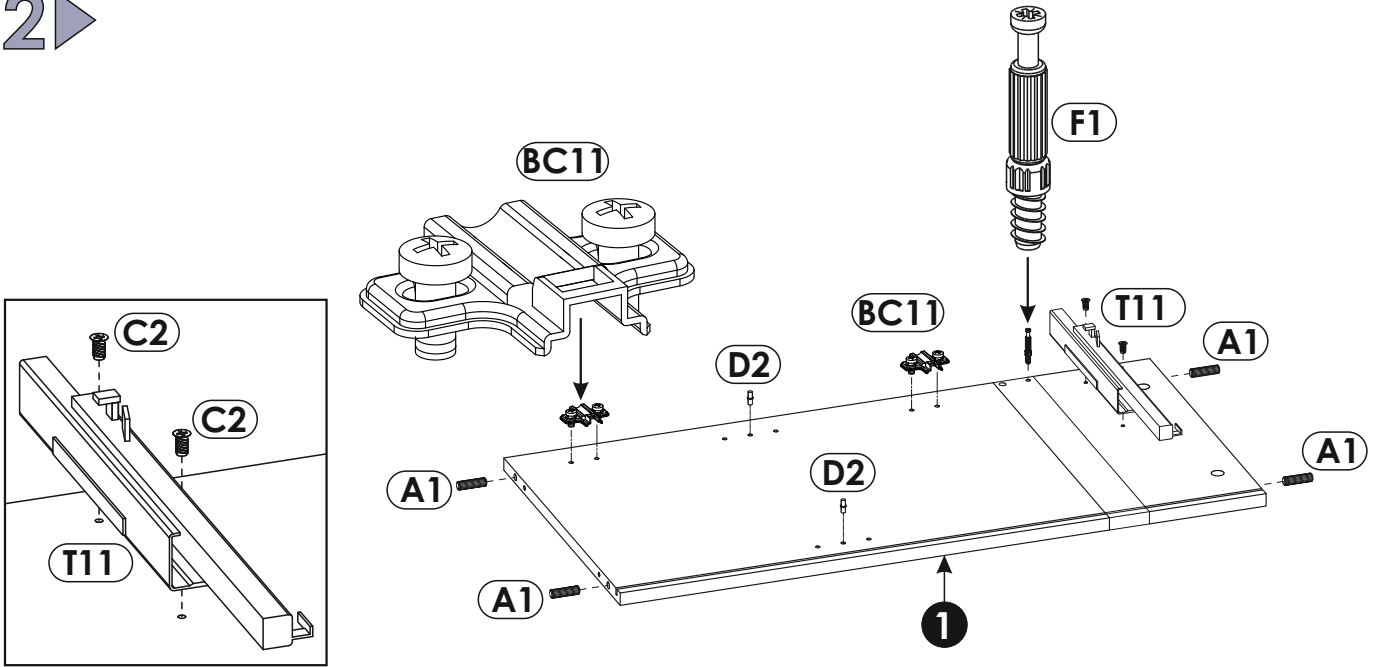


5

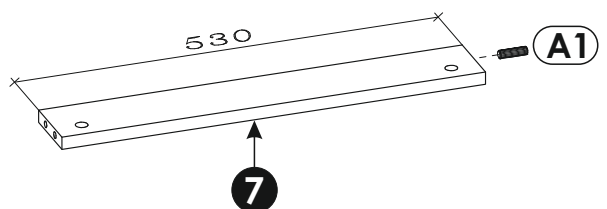
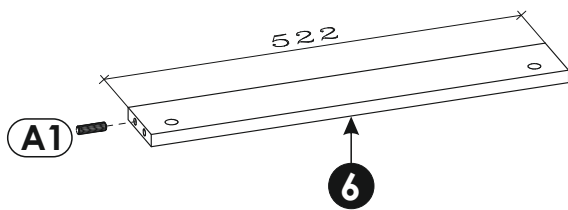


3

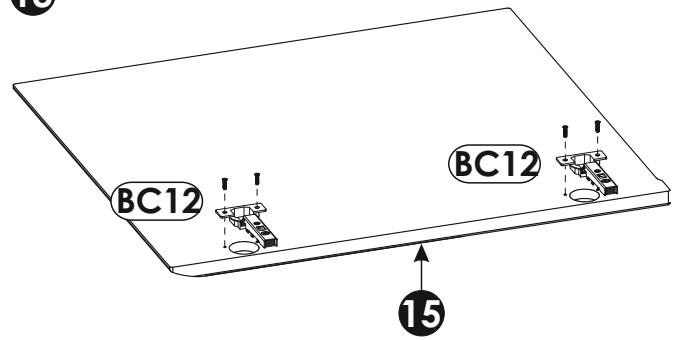
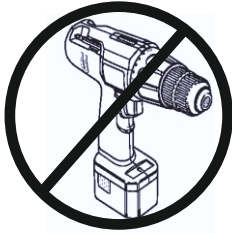
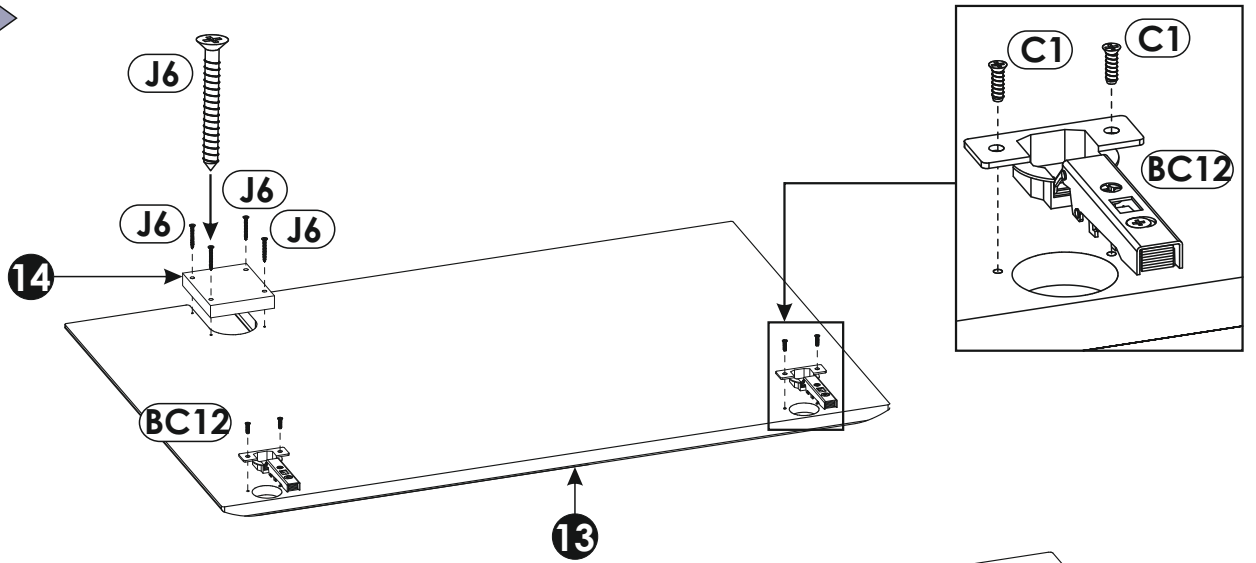
2 ▶



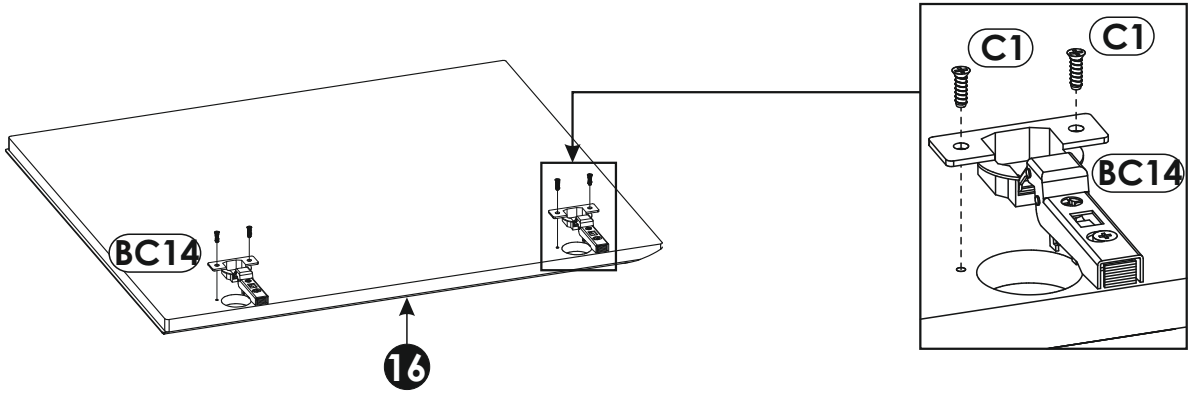
3 ▶



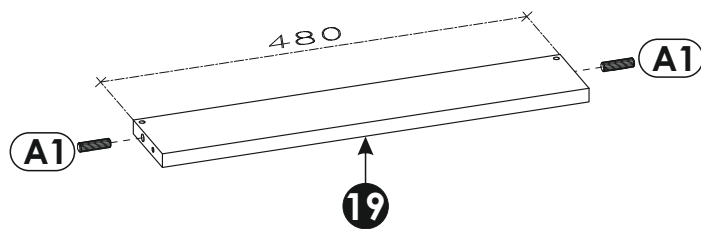
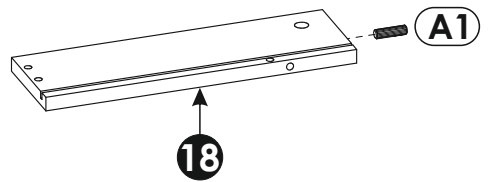
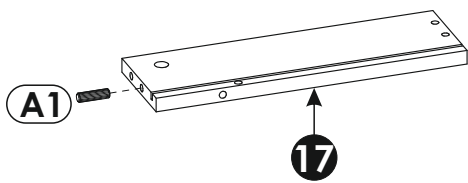
4 ▶



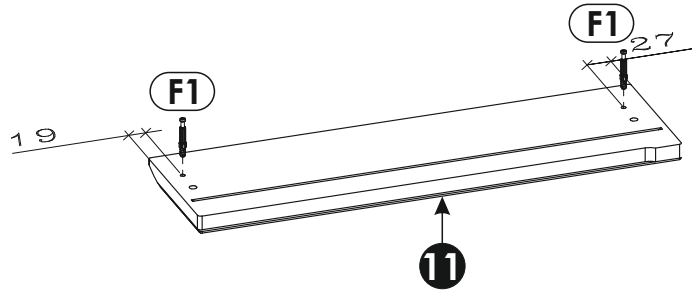
5 ▶



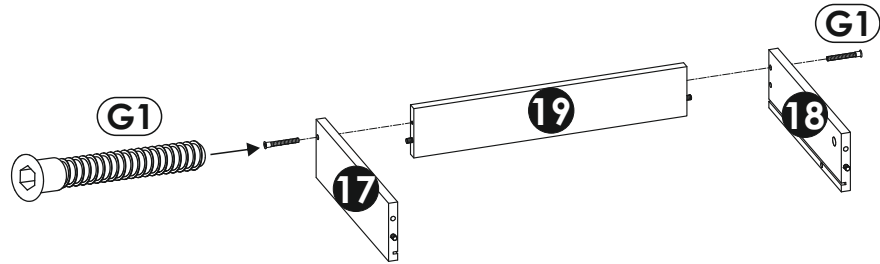
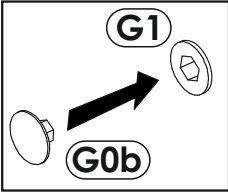
6 ▶



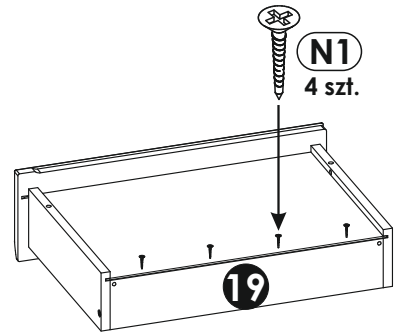
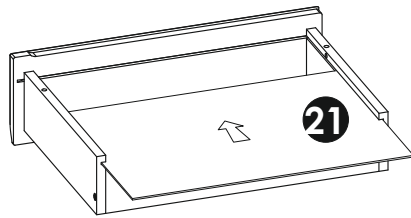
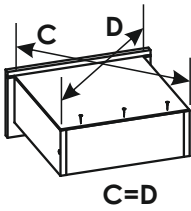
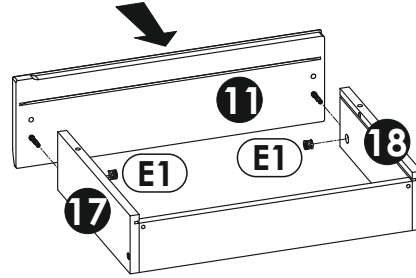
7 ▶



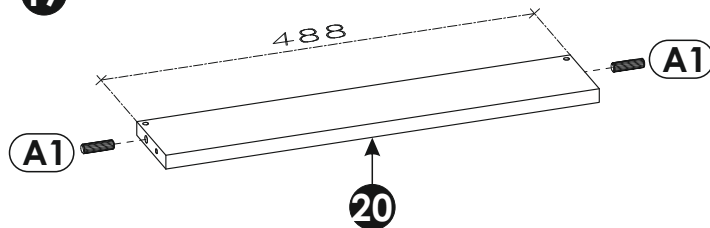
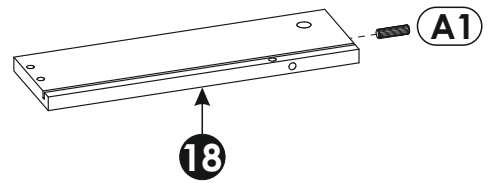
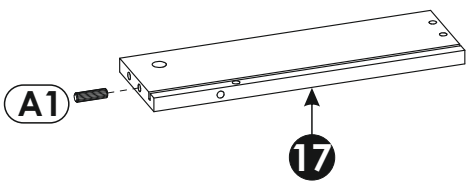
8 ▶



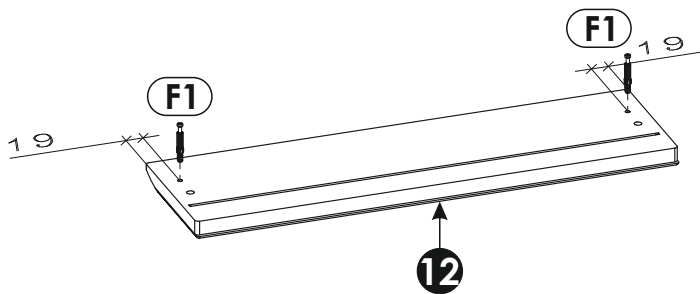
9 ▶



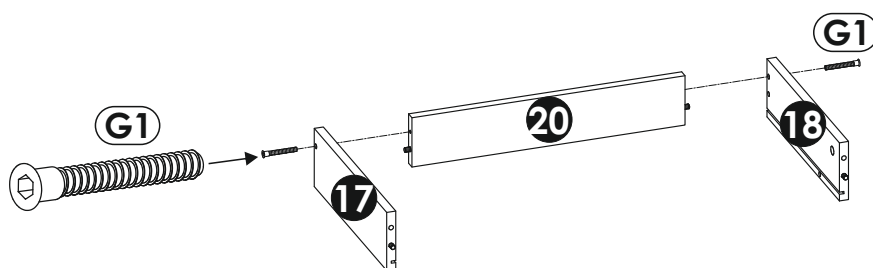
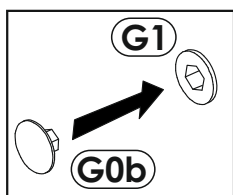
10 ▶



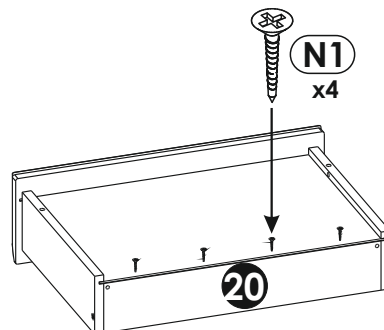
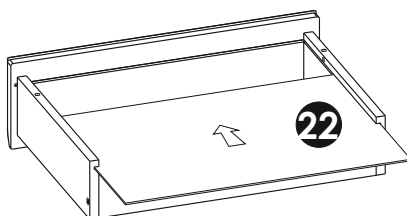
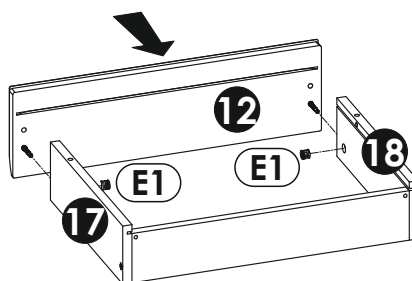
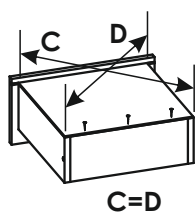
11 ▶



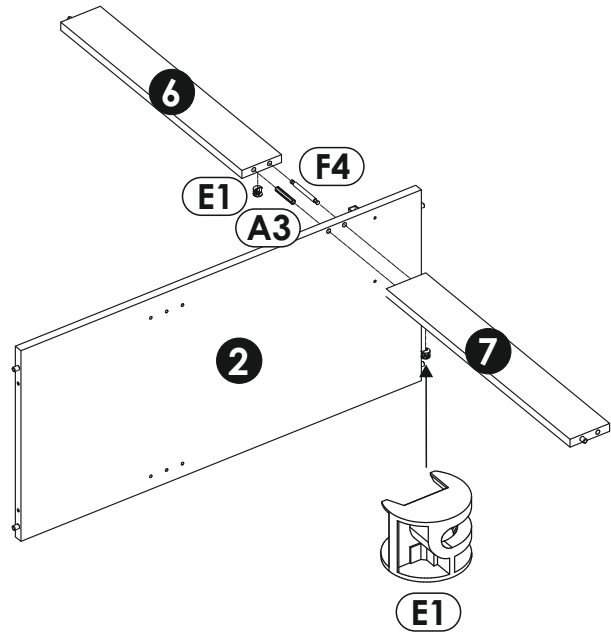
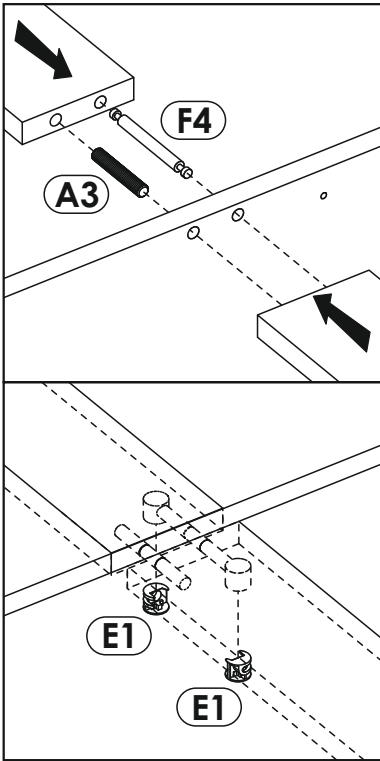
12 ▶



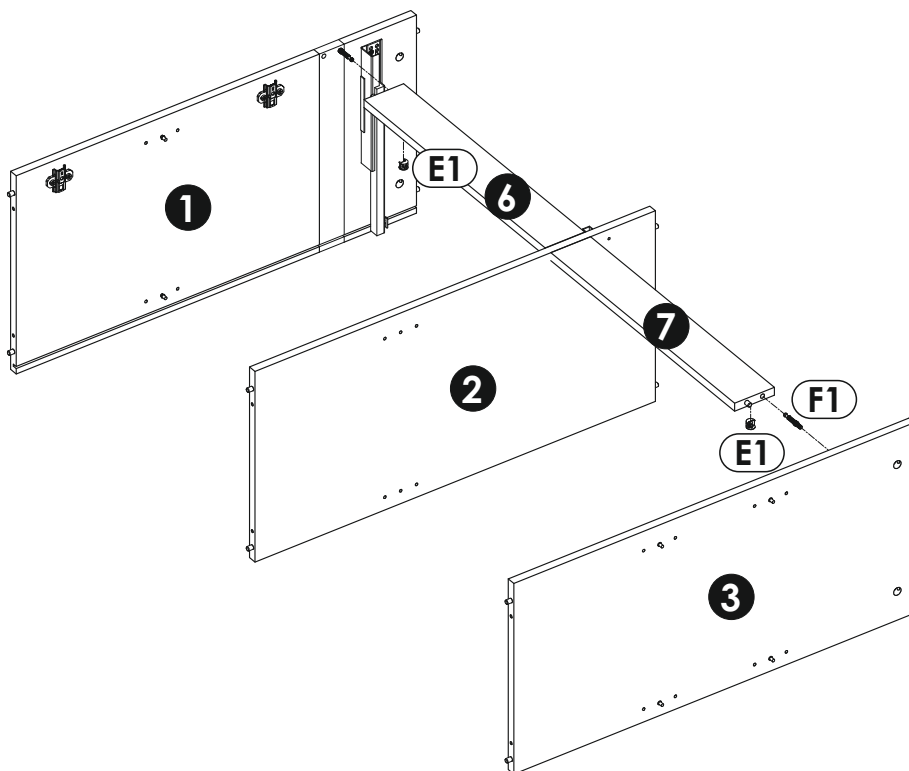
13 ▶



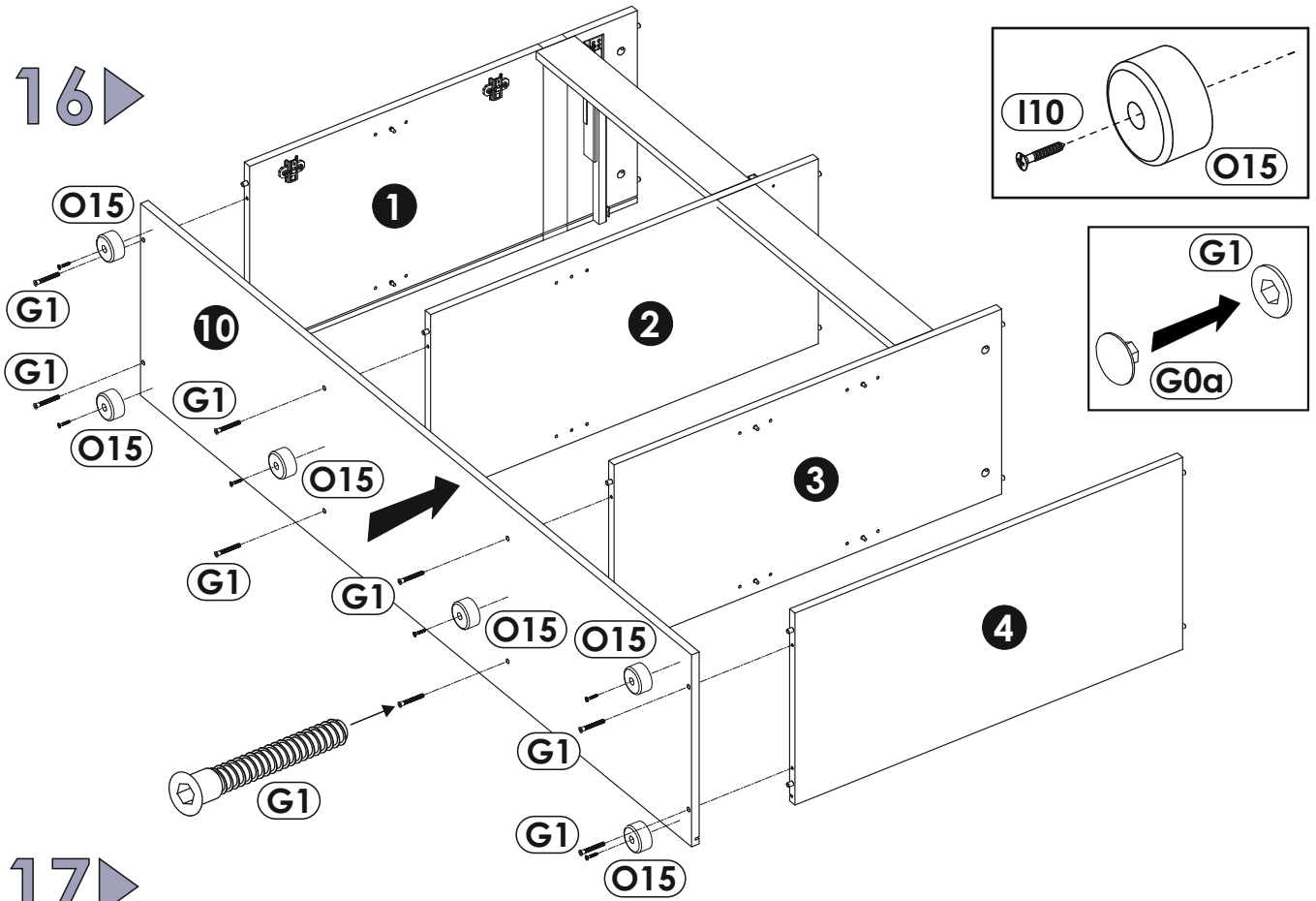
14 ▶



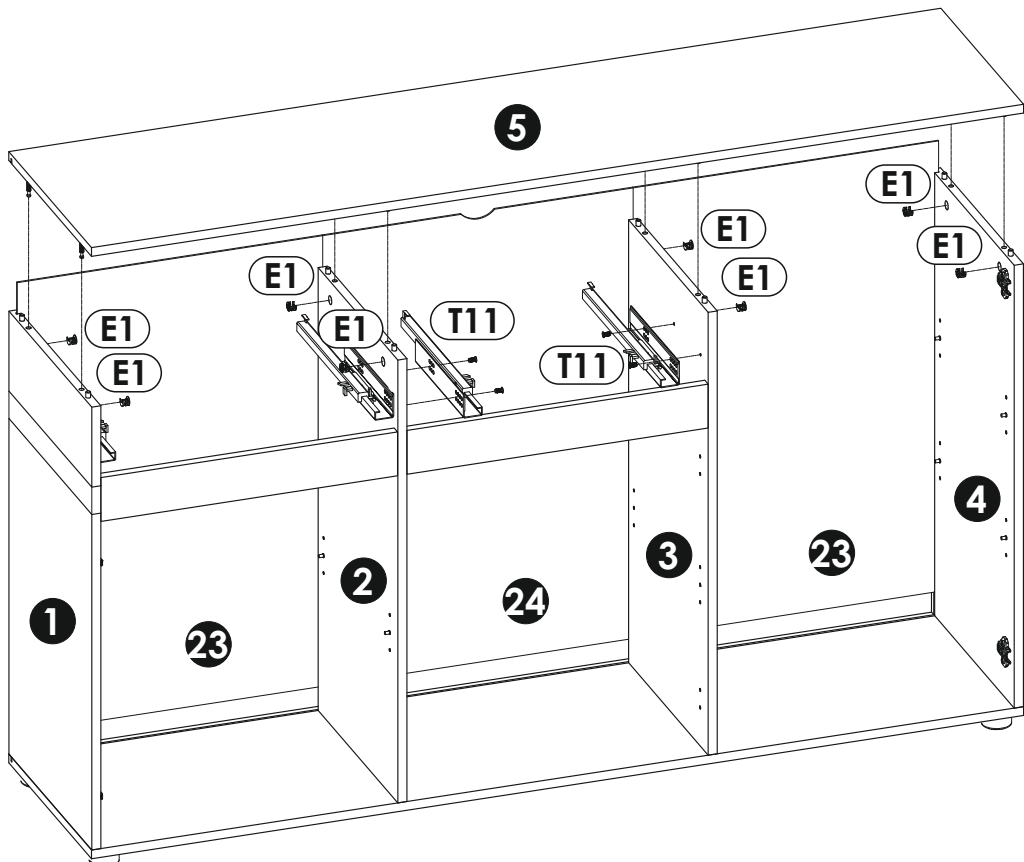
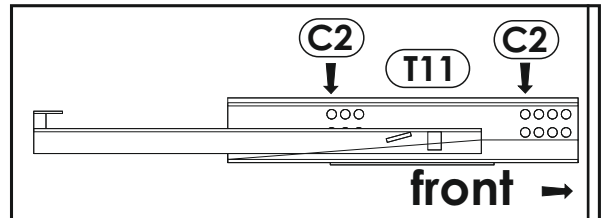
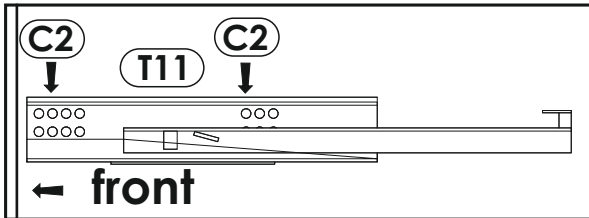
15 ▶



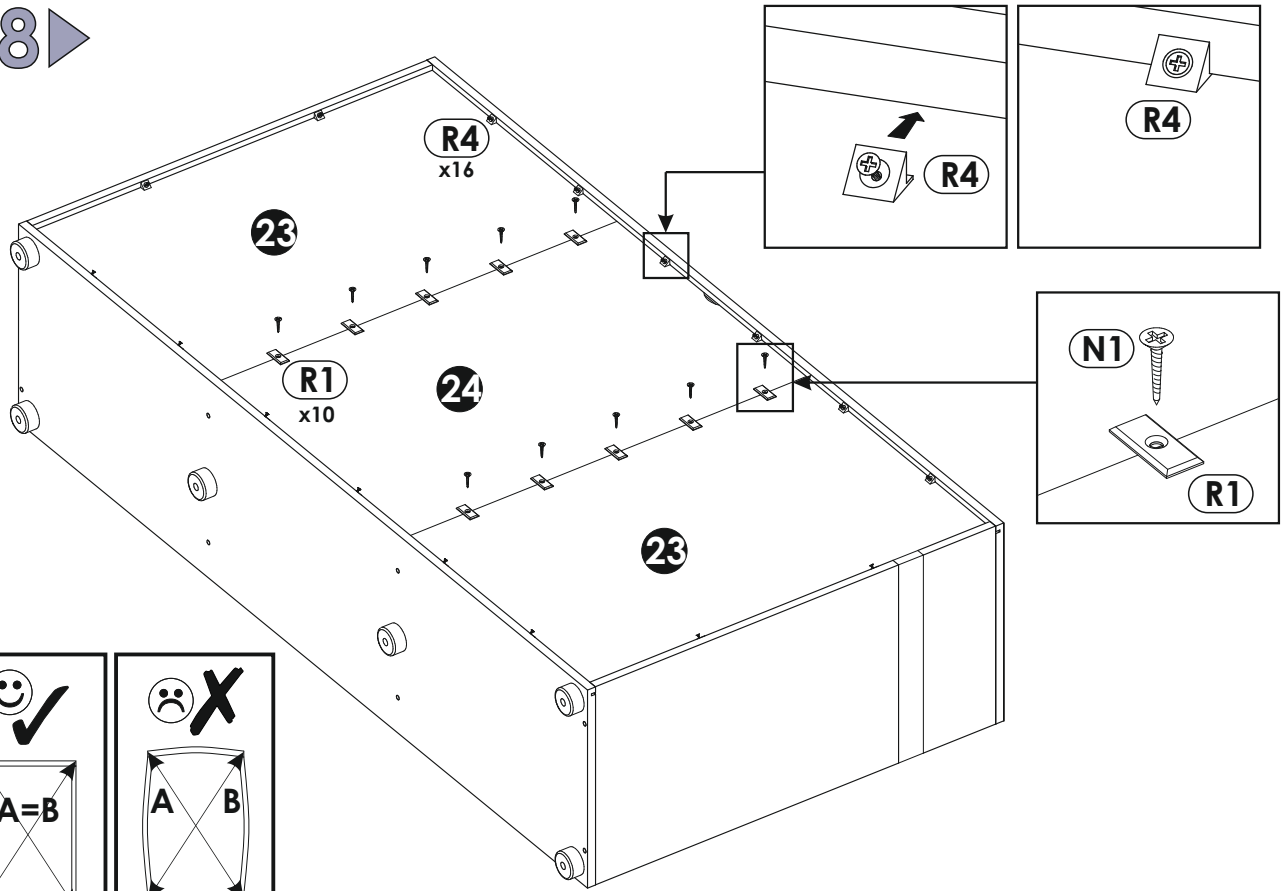
16 ▶



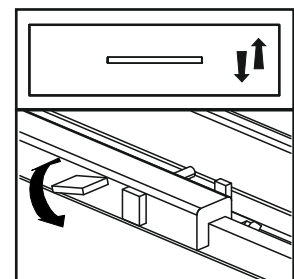
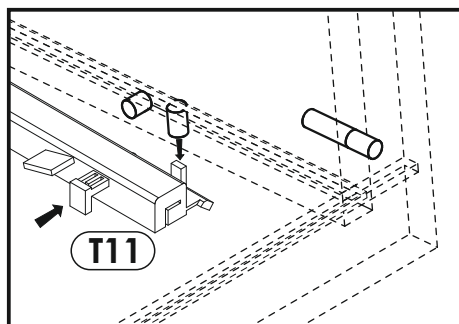
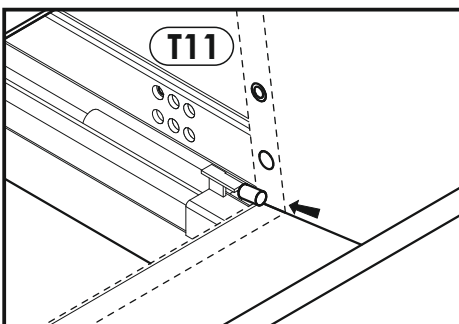
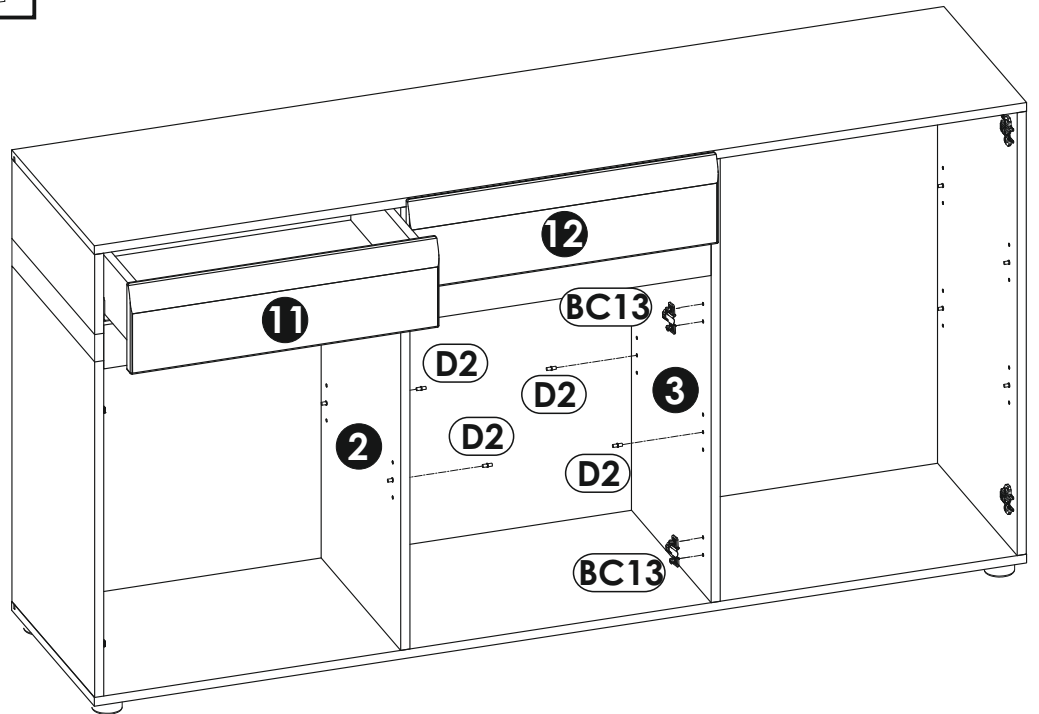
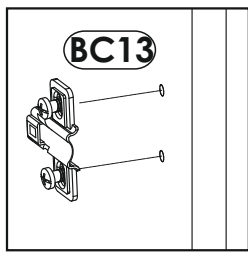
17 ▶



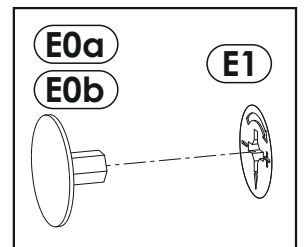
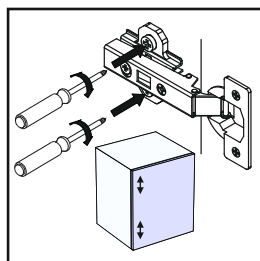
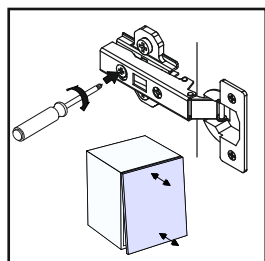
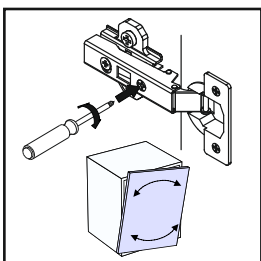
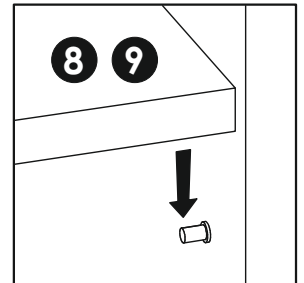
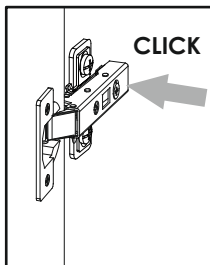
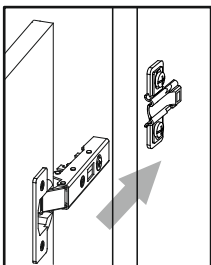
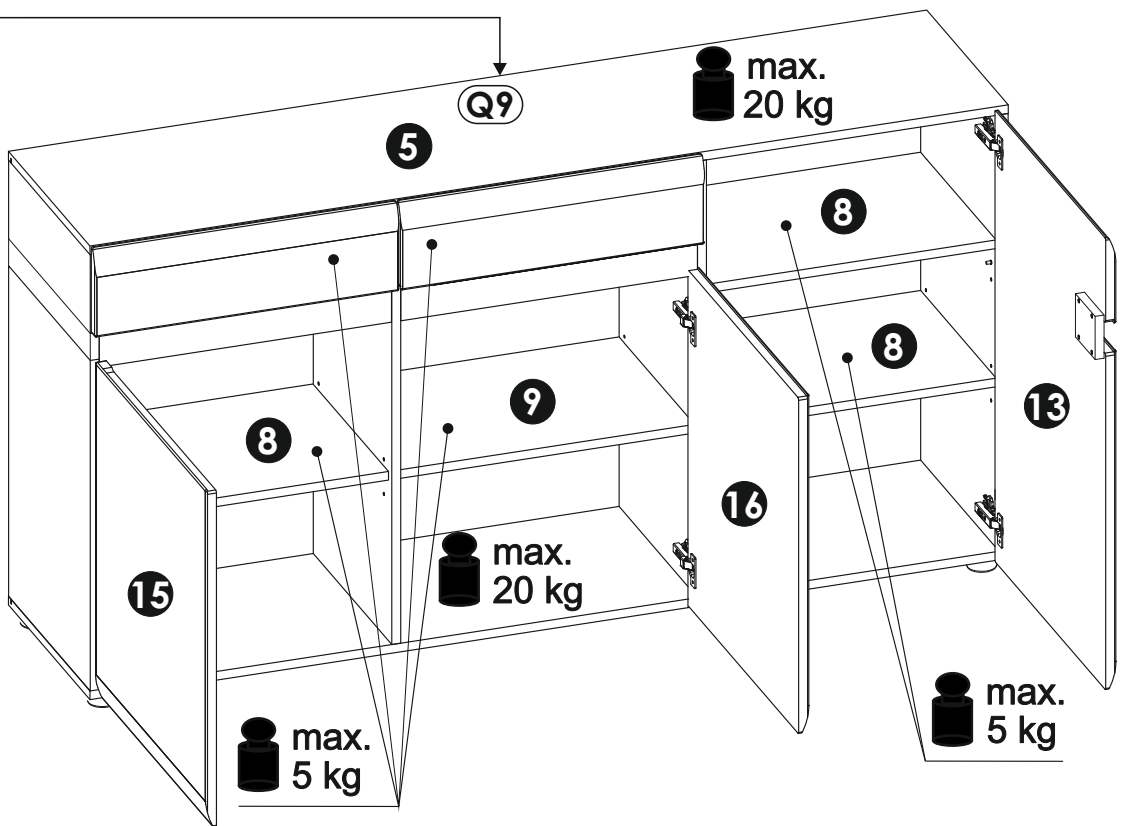
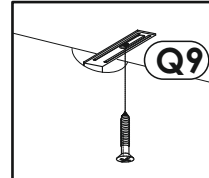
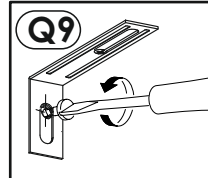
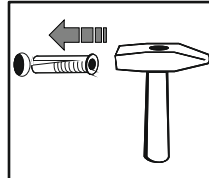
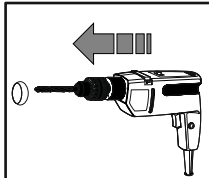
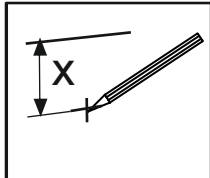
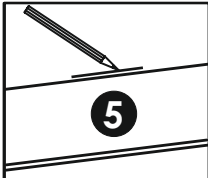
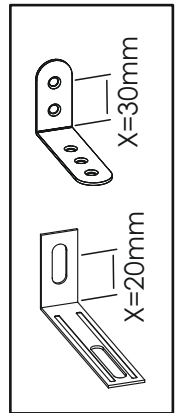
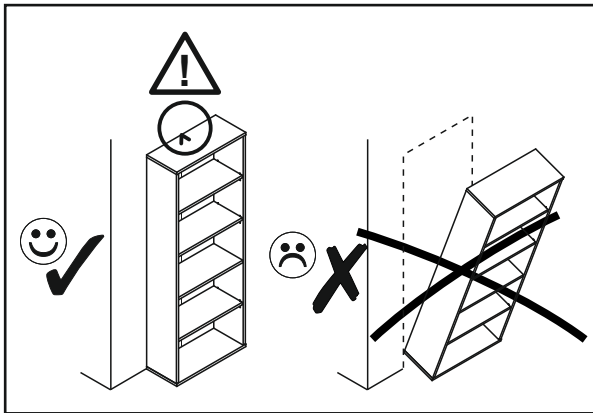
18 ▶

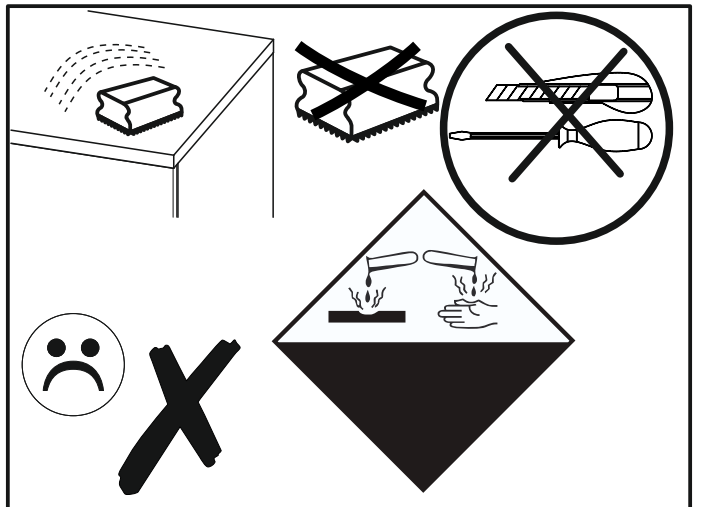
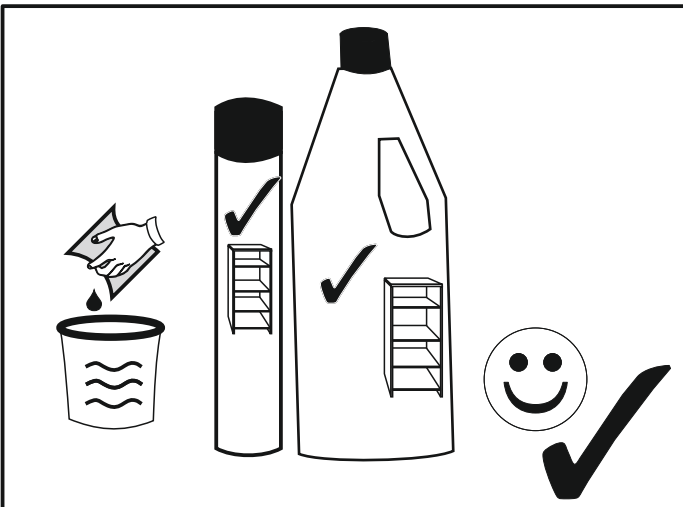
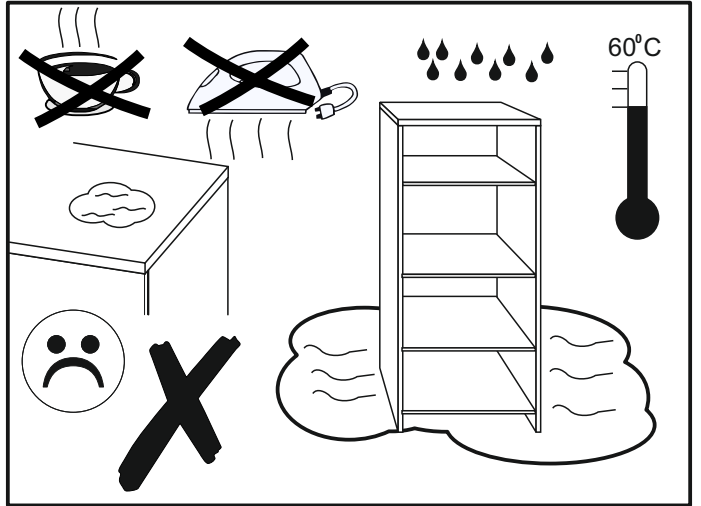
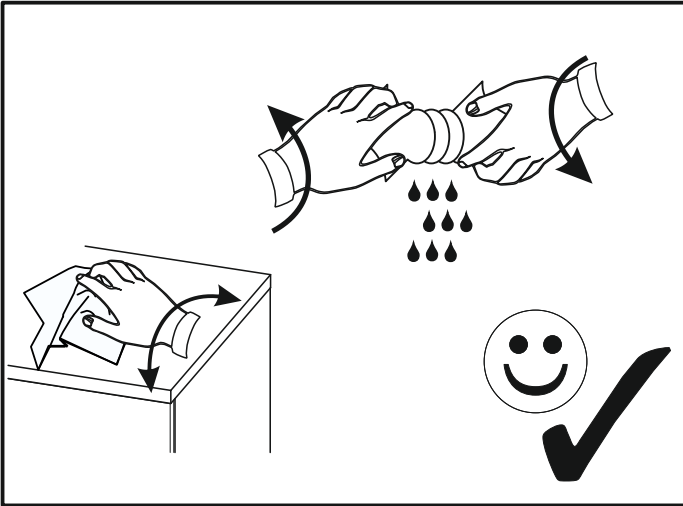
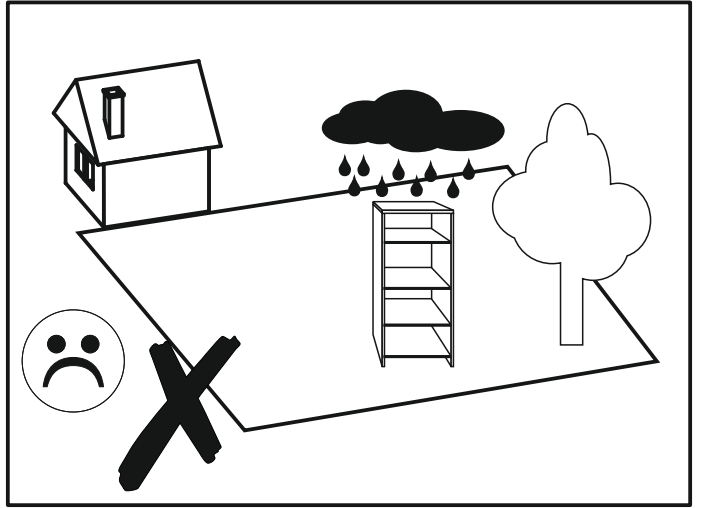
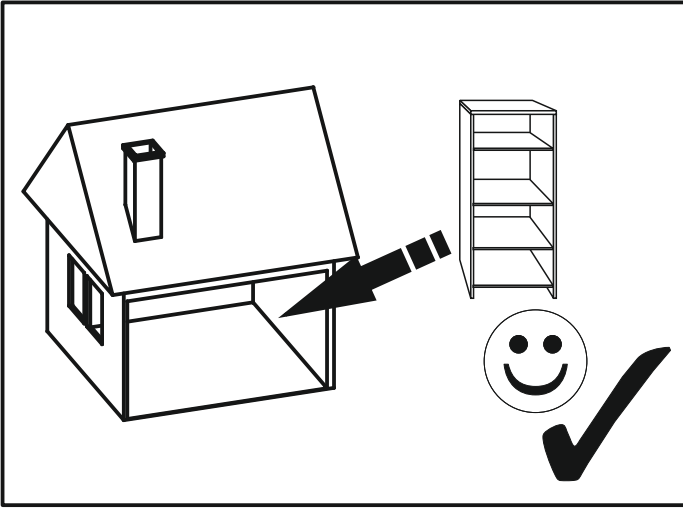
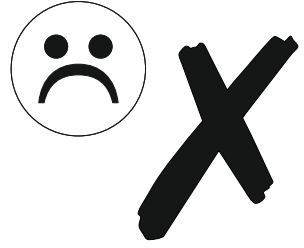


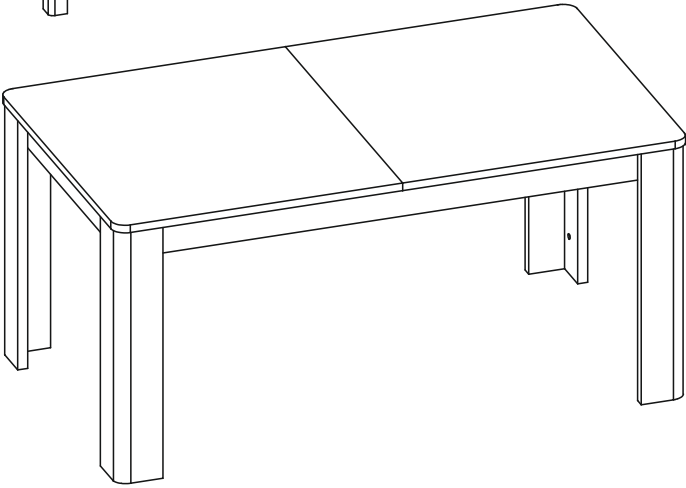
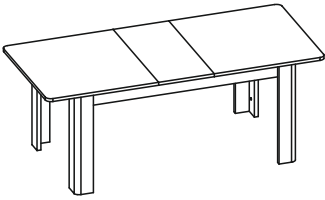
19 ▶

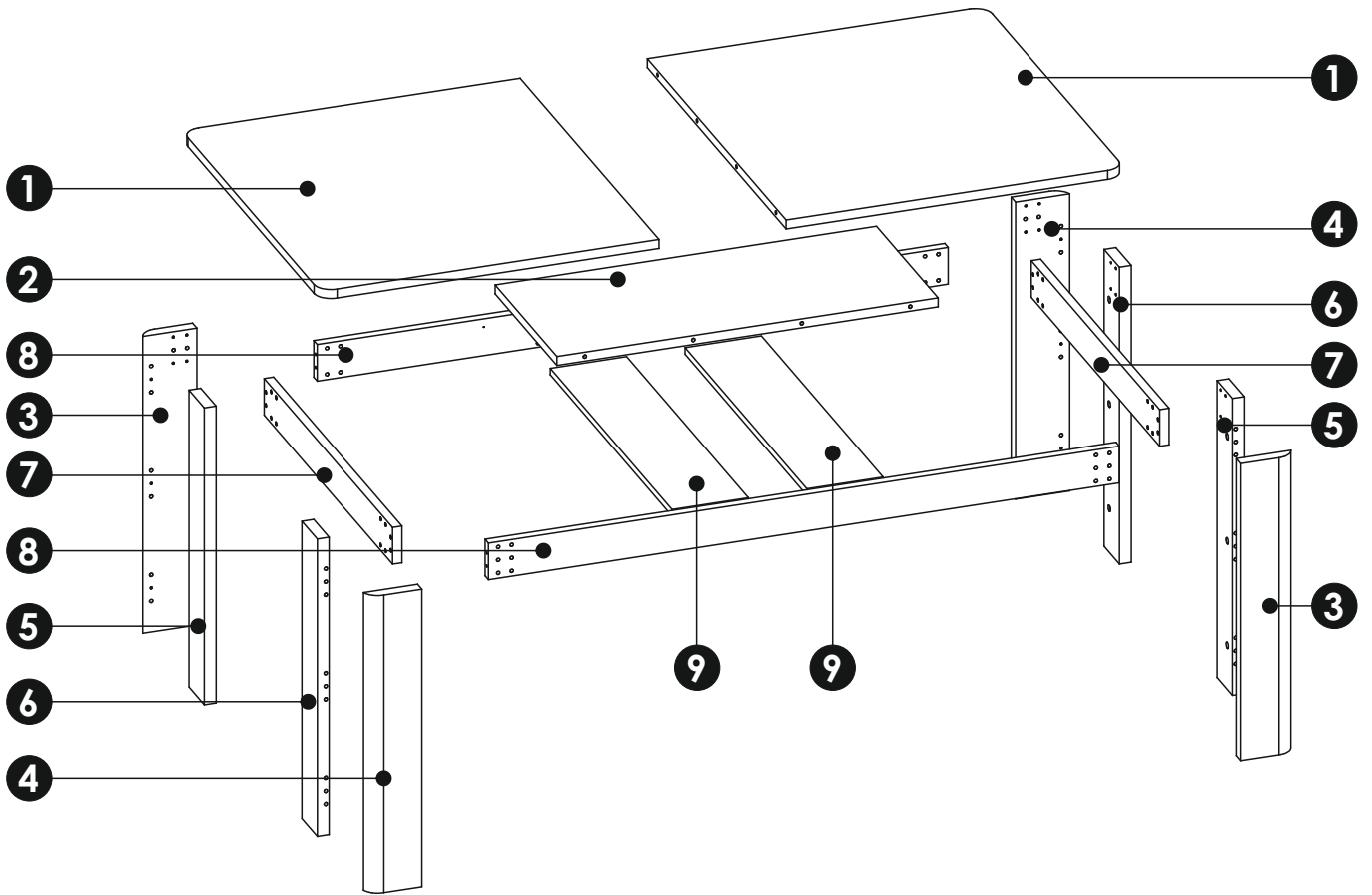


20 ▶

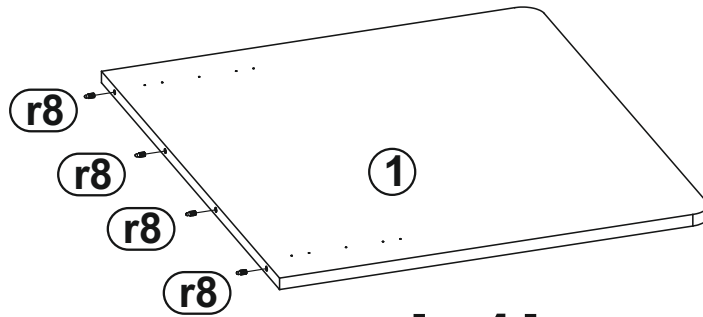
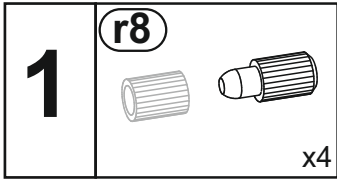




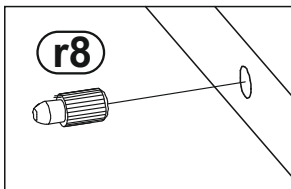
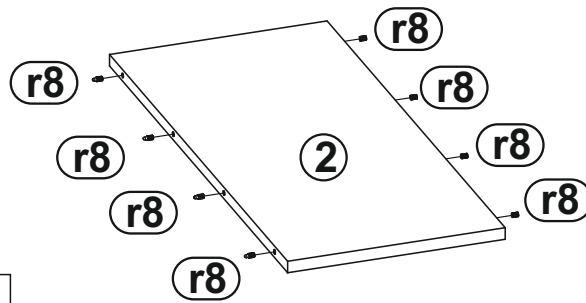
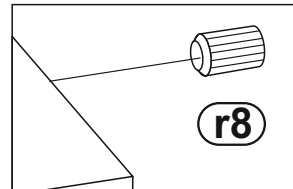
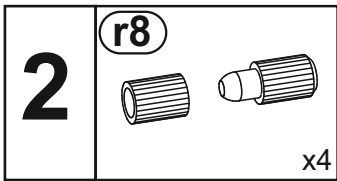
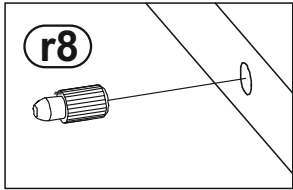




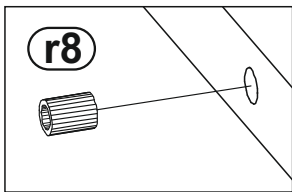
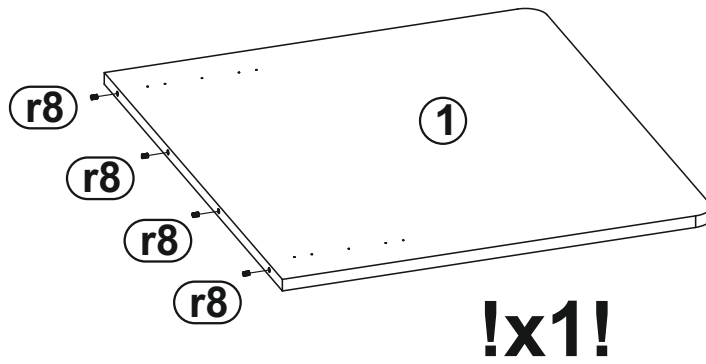
a0 8x35 x...(x8)	a1 8x35 x...(x32)	e1 x...(x16)	f1 x...(x16)	g0 x...(x32)	g1 7x50 x...(x8)	g2 7x60 x...(x32)	m x...(x1)
n2 3.5x16 x...(x32)	o2 x...(x12)	p16 x...(x16)	r8 x...(x8)	t14 x...(x2)			



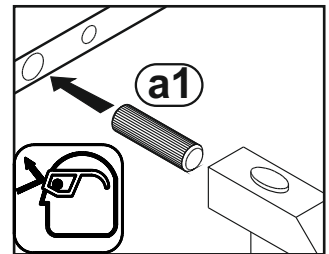
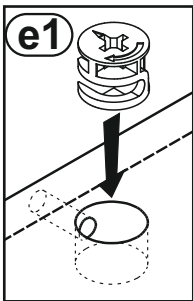
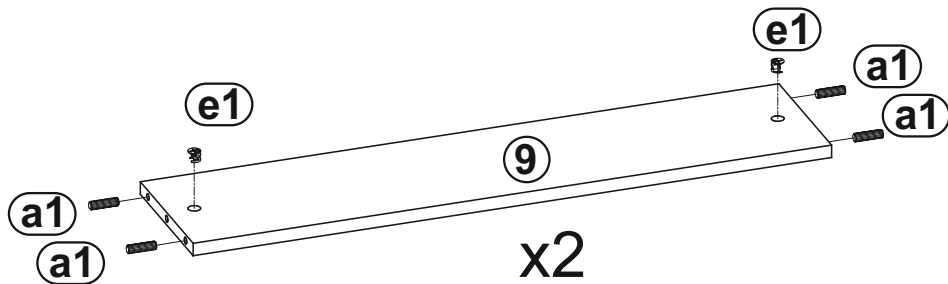
!x1!




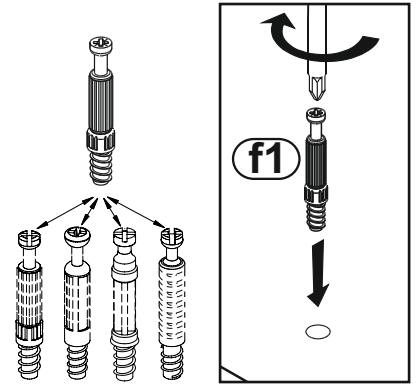
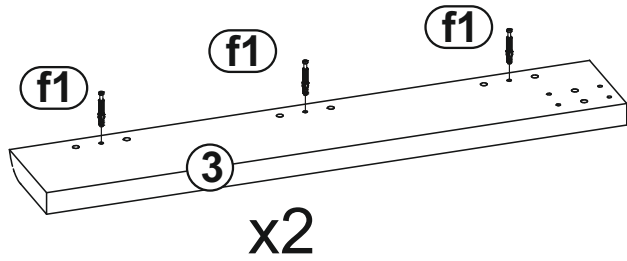
3	r8	
		x4




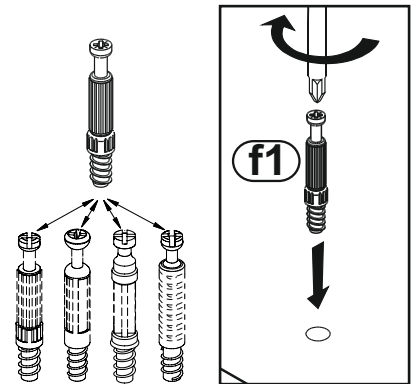
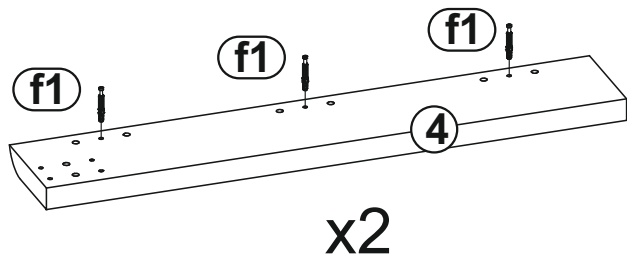
4	a1	e1
	 8x35 x8	 x4





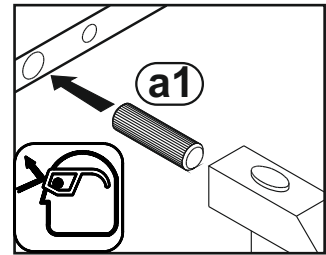
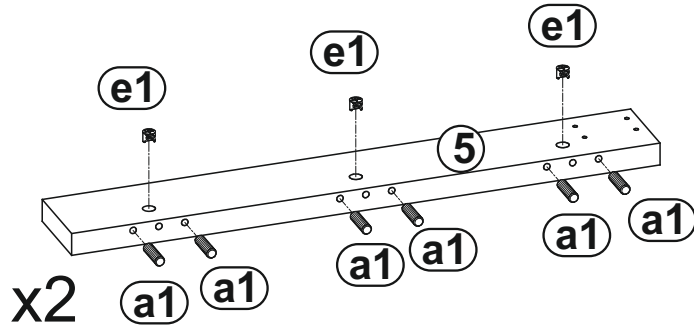
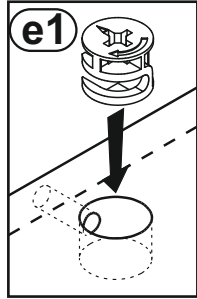
5 **f1**

x6





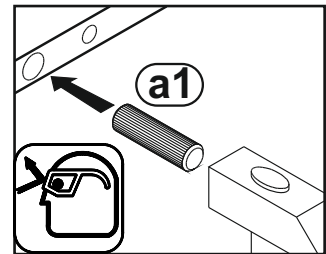
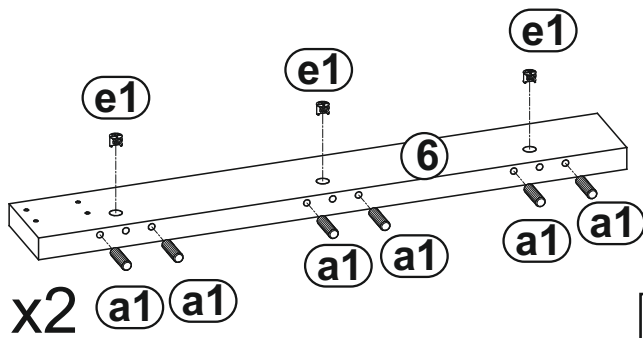
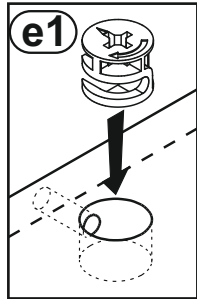
6 **f1**

x6




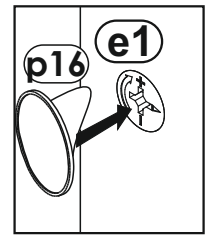
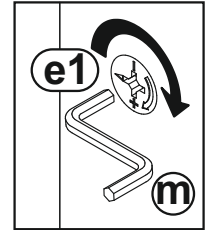
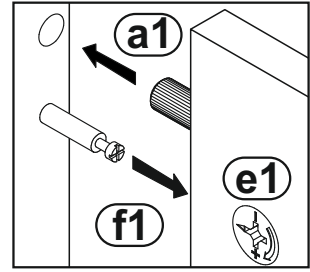
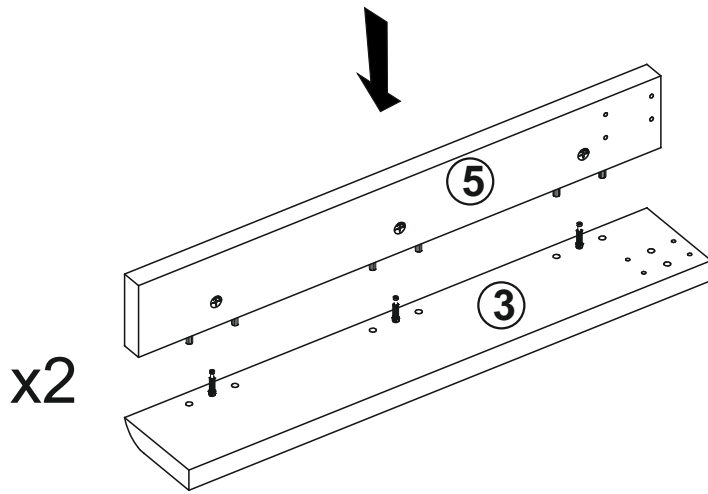
7	a1	e1
	 8x35 x12	 x6




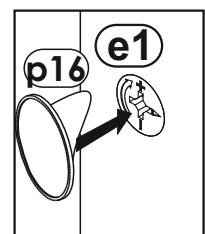
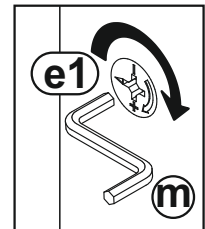
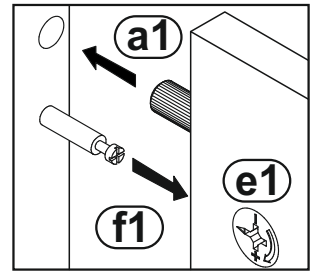
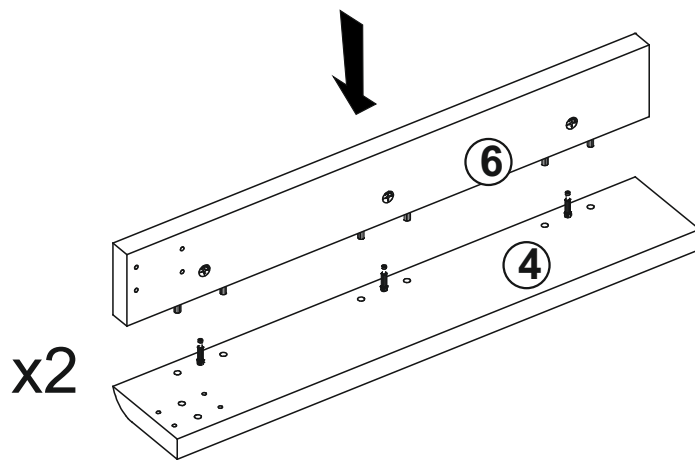
8	a1	e1
	 8x35 x12	 x6






9 **p16**

x6



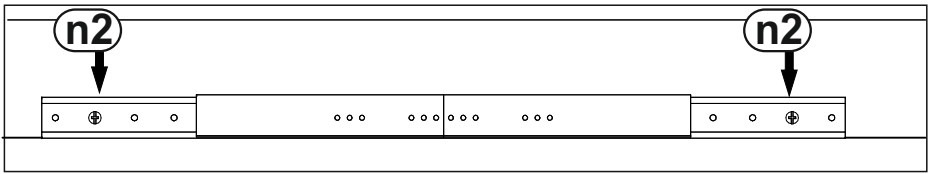
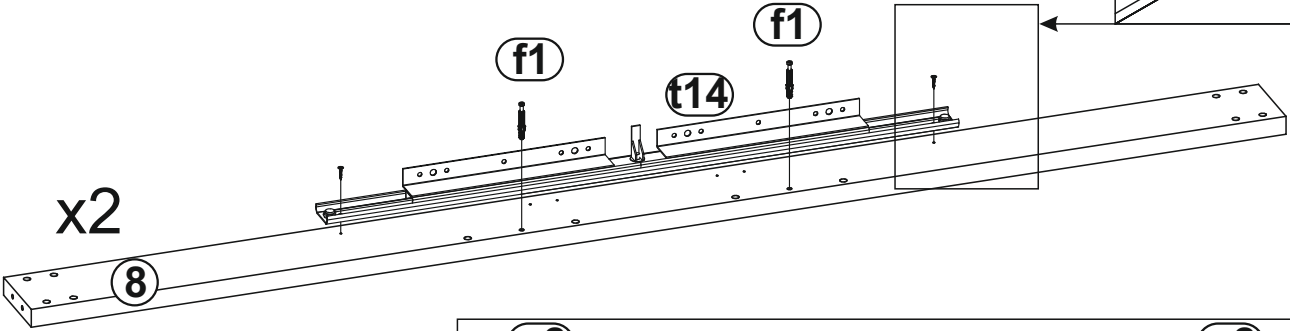
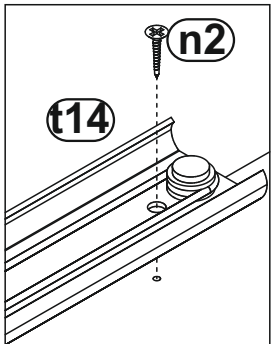
10 **p16**

x6




11

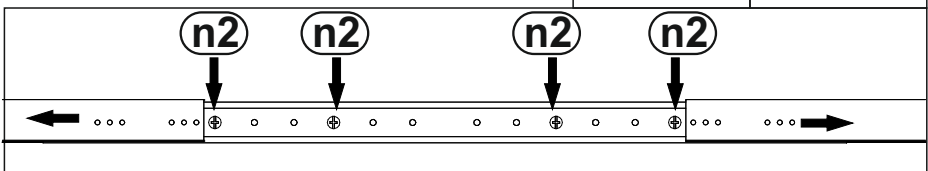
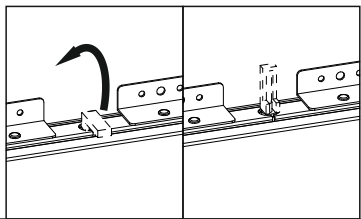
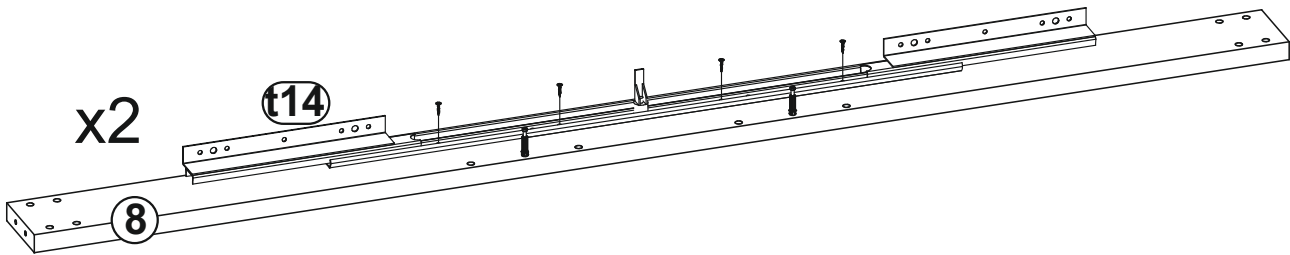
f1  x4	n2  3.5x16 x4	t14  L-750 x2
---	--	--


P8/15

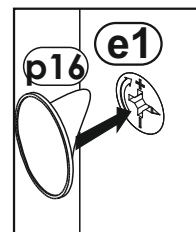
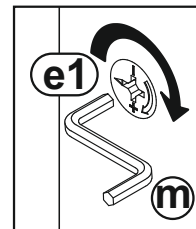
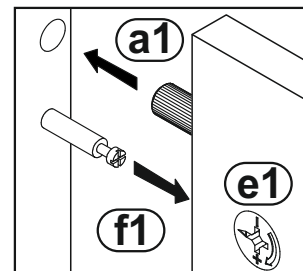
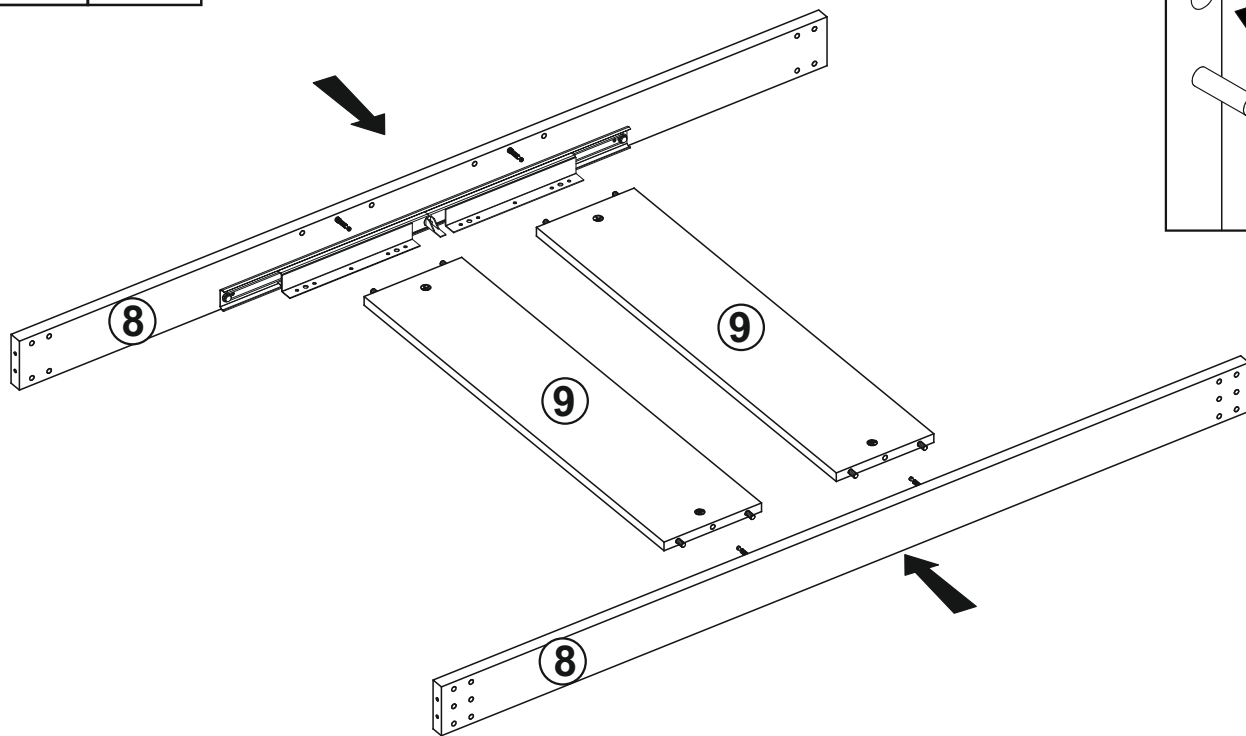


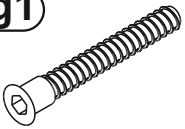
12

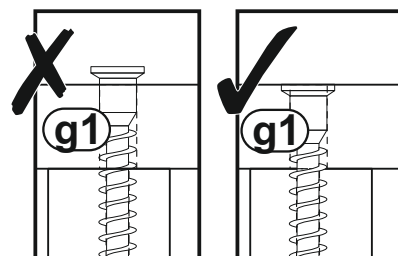
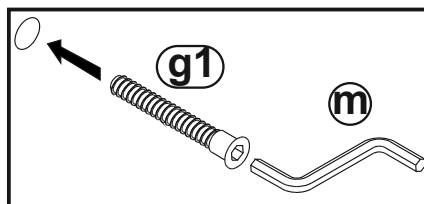
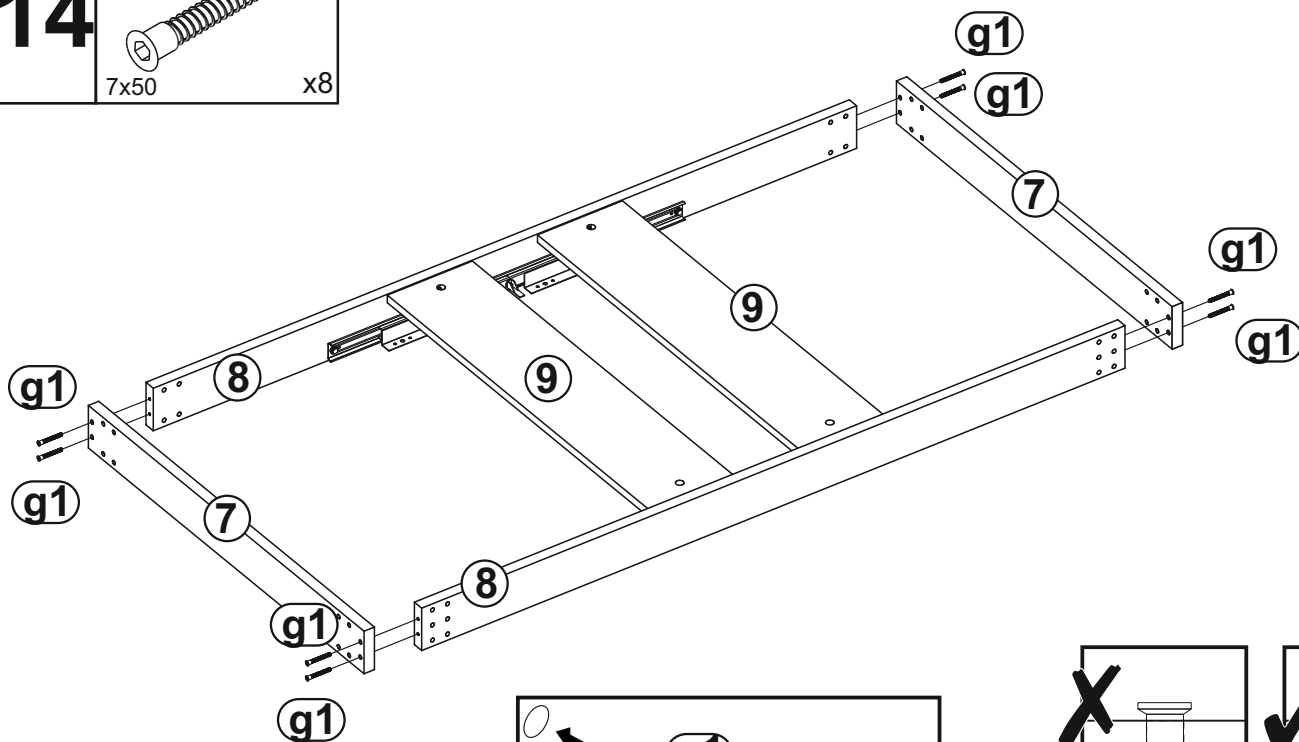
n2  3.5x16 x8
--



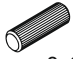

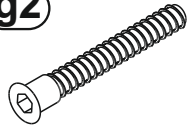
13 **p16**

 x4

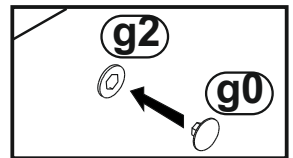
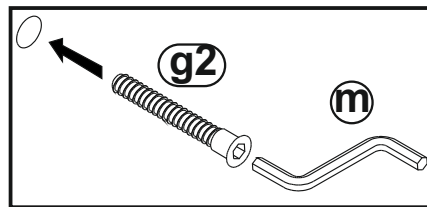
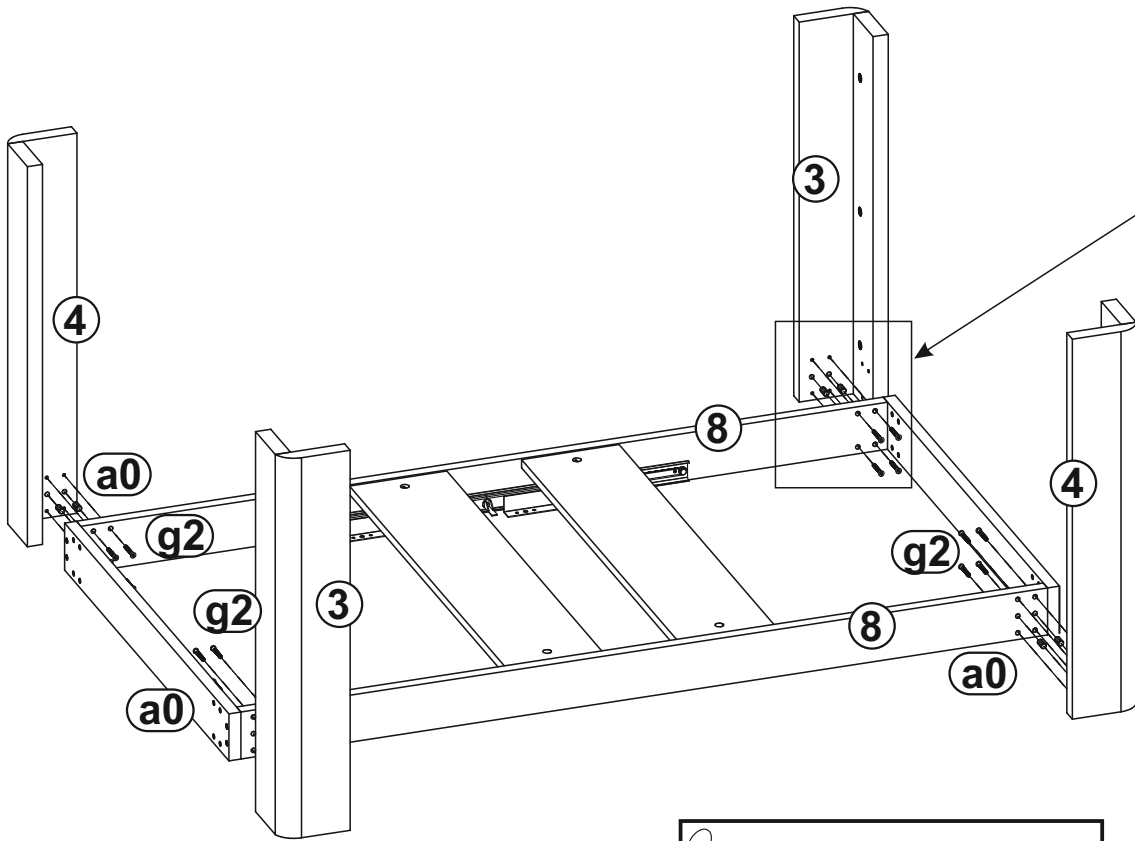
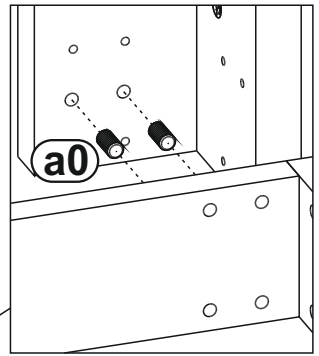
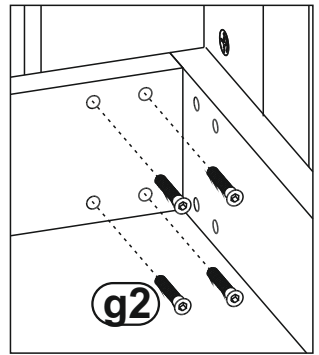
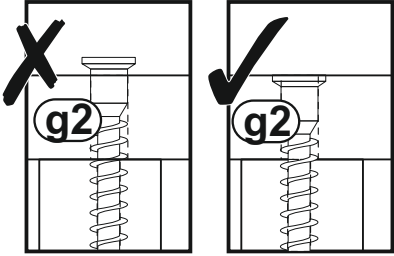


14 **g1**

 7x50 x8


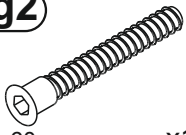



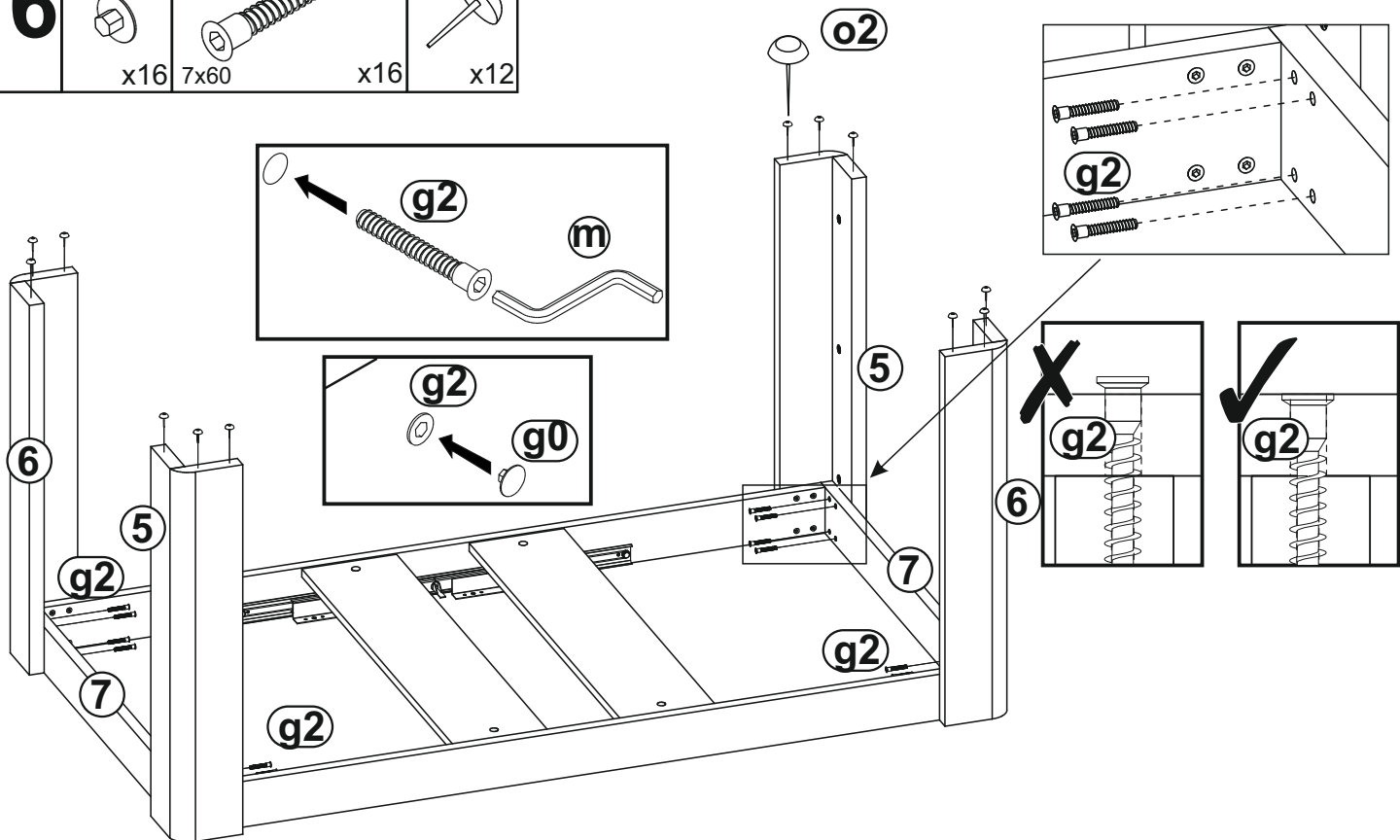
15

a0  8x35 x8	g0  x16	g2  7x60 x16
--	---	--




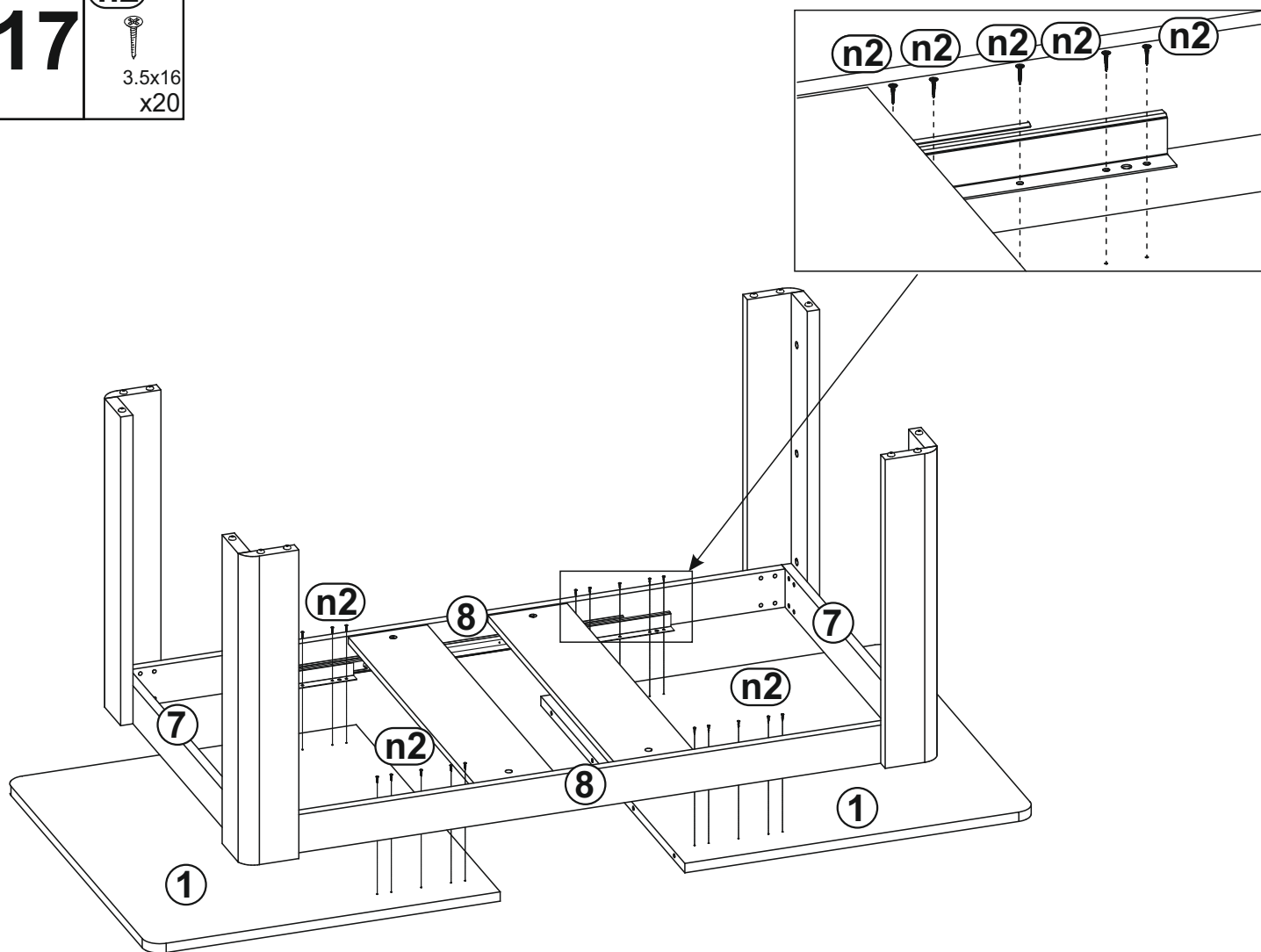
16

g0  x16	g2  7x60 x16	o2  x12
---	--	---

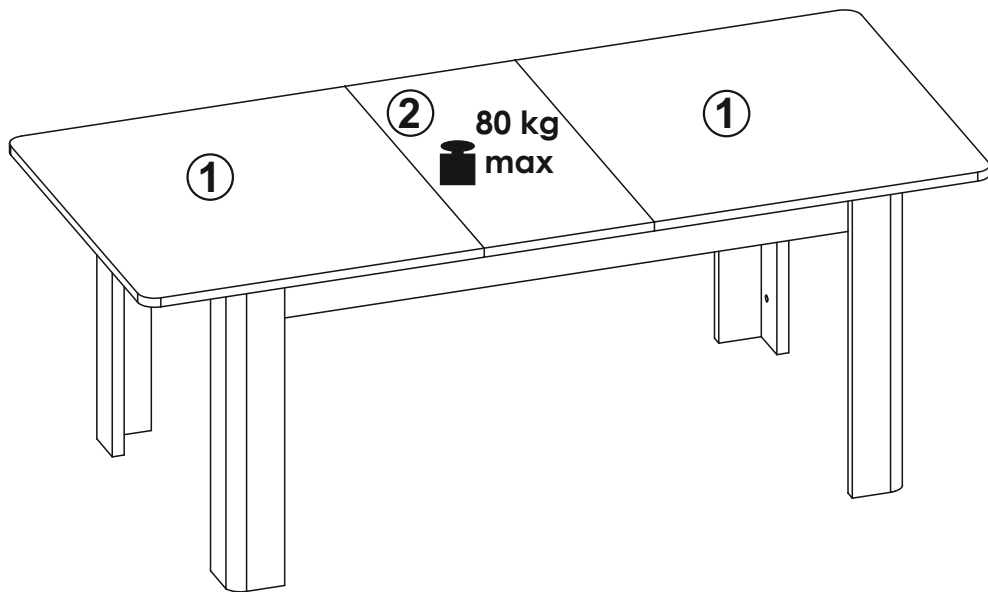
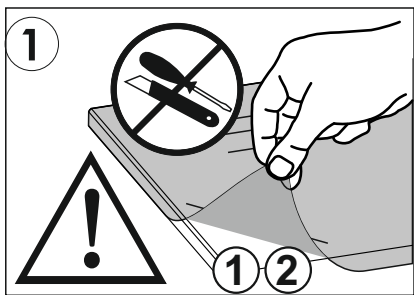


17

n2  3.5x16 x20



18



19

