
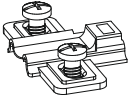
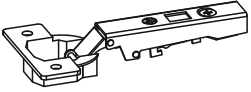


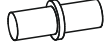






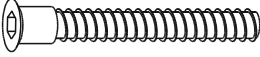



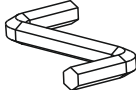

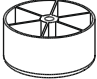


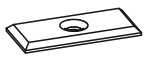

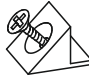
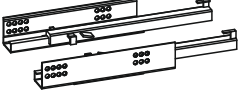
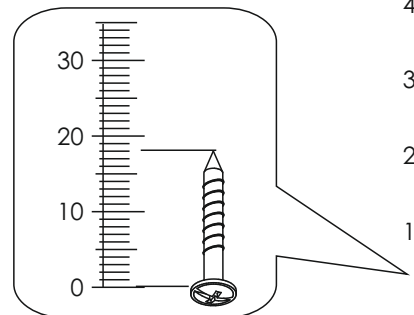
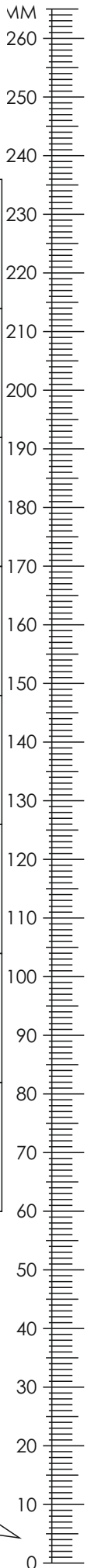
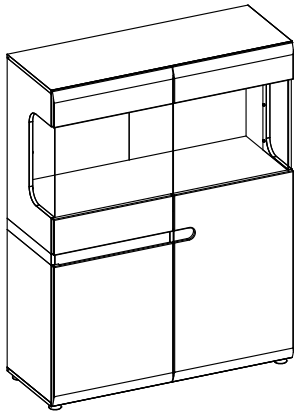
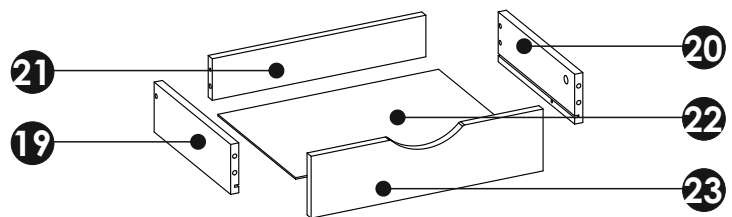
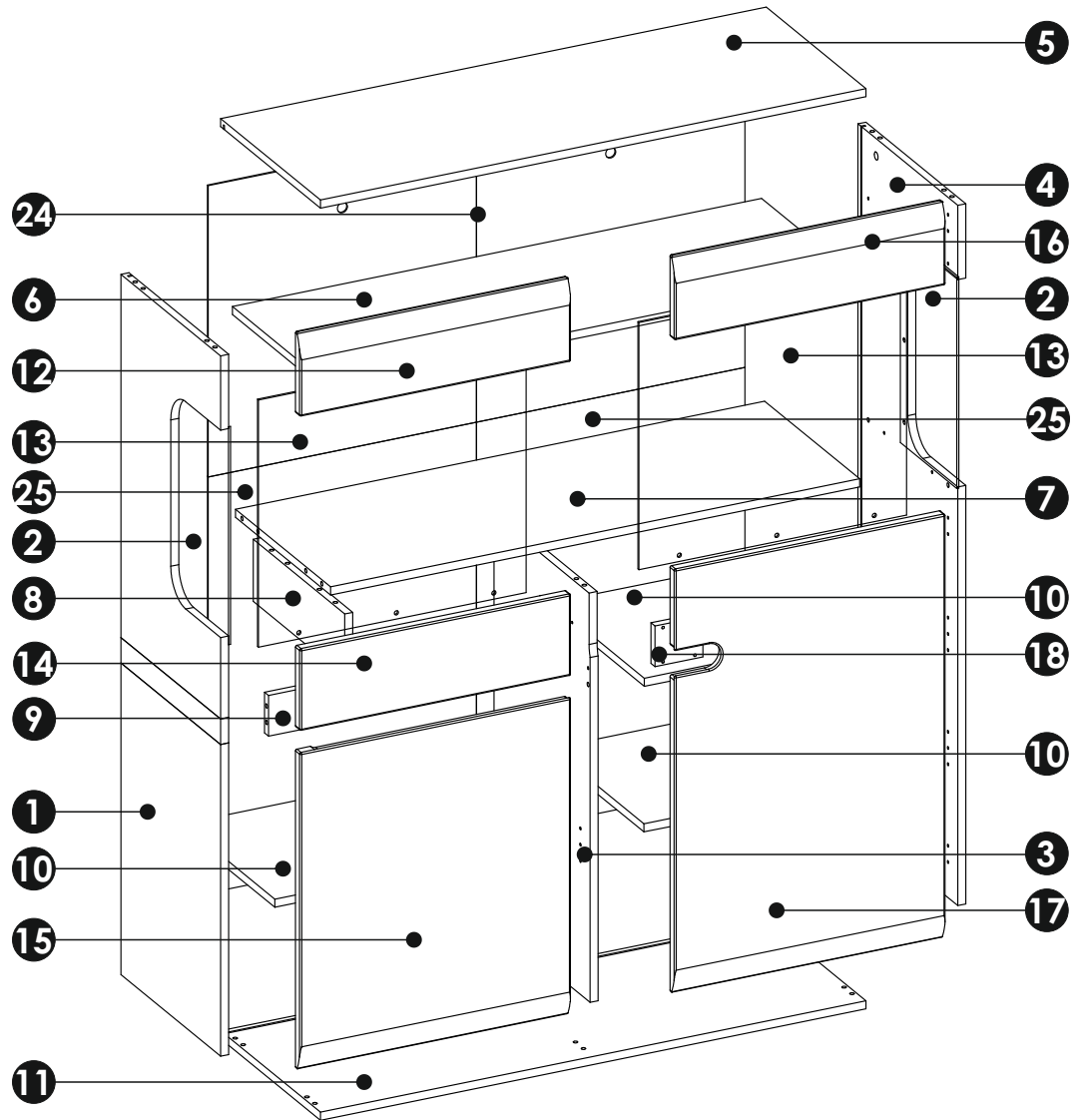


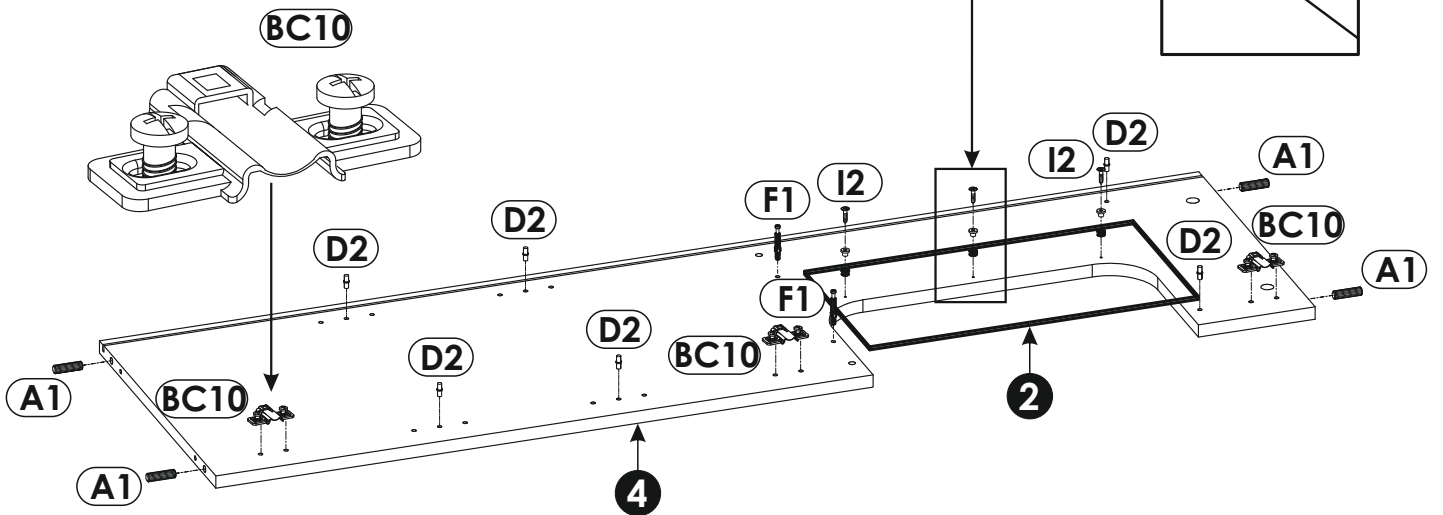
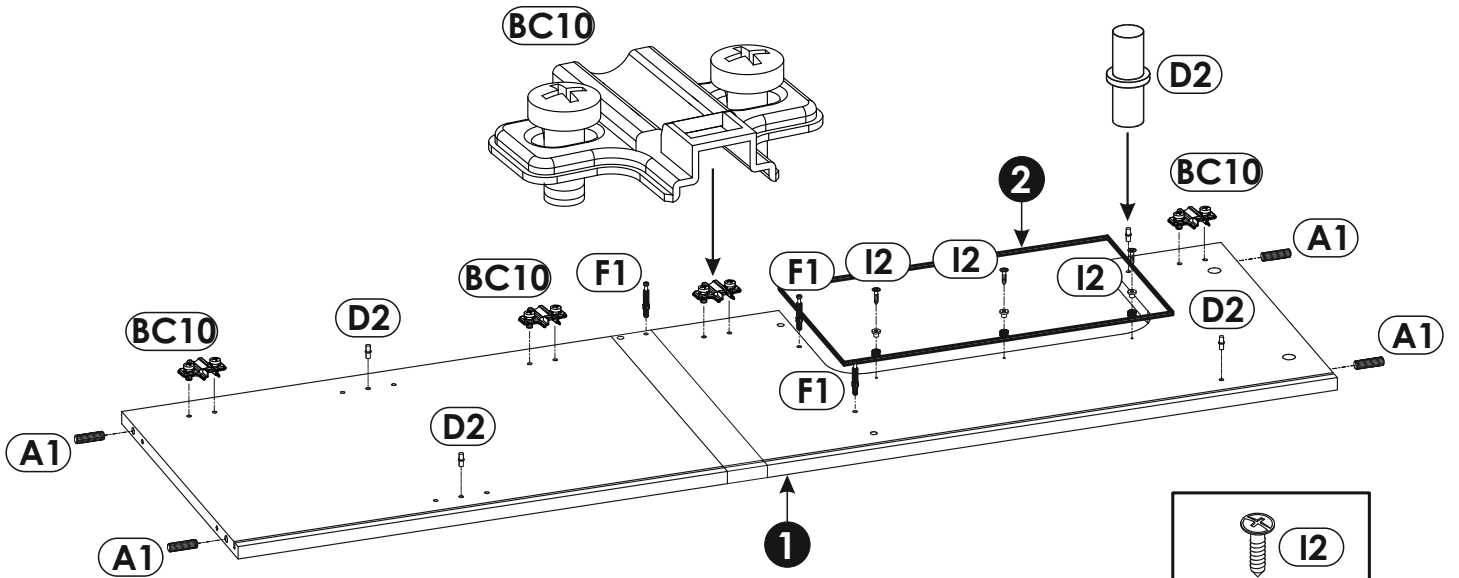
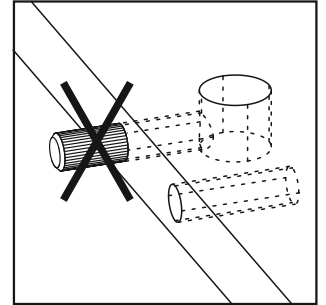
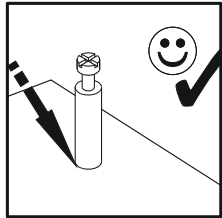
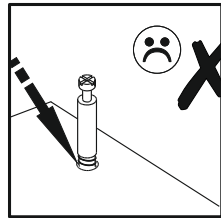
<b>A1</b> x24 $\phi 8 \times 35$ mm 	<b>BC10</b> x7 	<b>BC11</b> x7 
<b>C1</b> x14 4 x 13 mm 	<b>C2</b> x4 5 x 13 mm 	<b>D2</b> x16 
<b>E0a</b> x4 	<b>E0b</b> x12 	<b>E1</b> x16 
<b>F1</b> x16 	<b>G0a</b> x6 	<b>G0b</b> x2 
<b>G1</b> x8 $\phi 7 \times 50$ mm 	<b>I2</b> x19 4 x 16 mm 	<b>I10</b> x5 3,5 x 22 mm 
<b>J6</b> x4 4 x 30 mm 	<b>M</b> x1 	<b>N1</b> x20 3 x 16 mm 
<b>O15</b> x5 $\phi 50 \times 25$ mm 	<b>P13</b> x2 	<b>Q9</b> x1 
<b>R1</b> x10 	<b>R3</b> x18 	<b>R4</b> x10 
<b>T10</b> x1 		



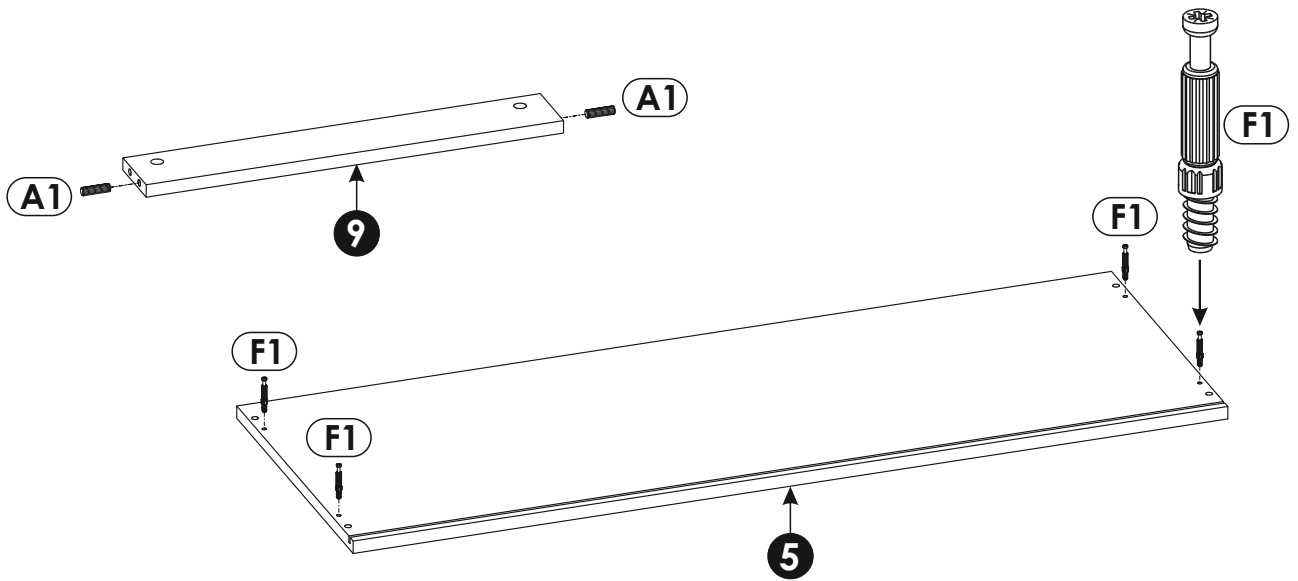
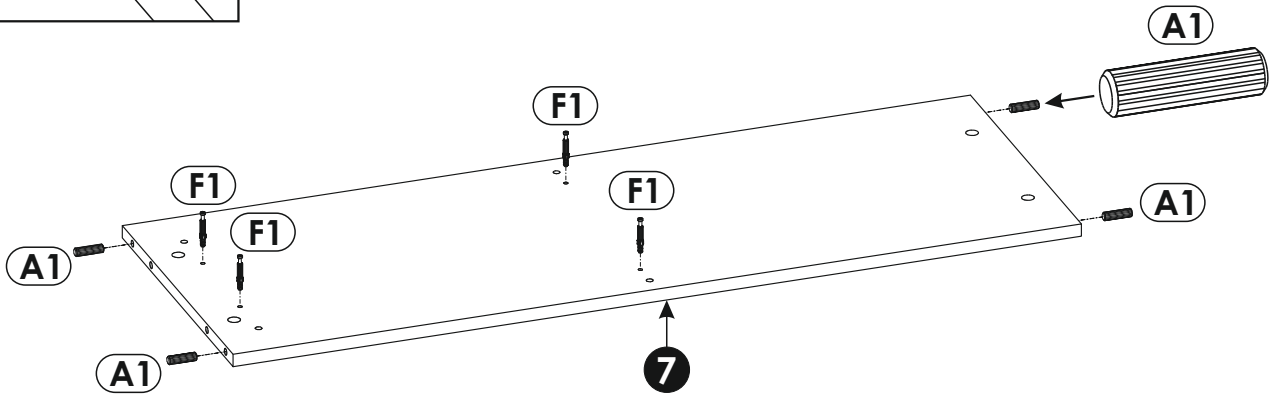
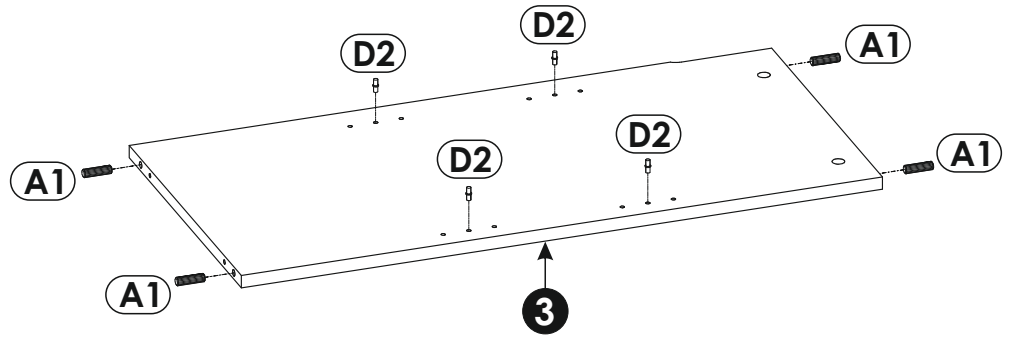
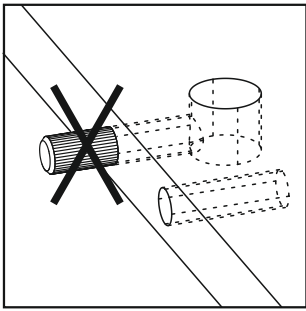


<b>1</b>	1375	400	16	x1	2/2
<b>2</b>	411	224	4	x2	1/2
<b>3</b>	802	385	16	x1	2/2
<b>4</b>	1375	400	16	x1	2/2
<b>5</b>	1094	400	16	x1	2/2
<b>6</b>	1061	370	16	x1	2/2
<b>7</b>	1061	381	16	x1	2/2
<b>8</b>	122	367	16	x1	1/2
<b>9</b>	522	80	16	x1	1/2
<b>10</b>	522	370	16	x3	1/2
<b>11</b>	1094	400	16	x1	2/2
<b>12</b>	543	160	19	x1	1/2
<b>13</b>	527	477	4	x2	1/2
<b>14</b>	543	160	19	x1	1/2
<b>15</b>	543	626	19	x1	1/2
<b>16</b>	543	160	19	x1	1/2
<b>17</b>	543	836	19	x1	1/2
<b>18</b>	96	80	16	x1	1/2
<b>19</b>	300	96	16	x1	1/2
<b>20</b>	300	96	16	x1	1/2
<b>21</b>	419	80	16	x1	1/2
<b>22</b>	433	305	3	x1	1/2
<b>23</b>	455	119	16	x1	1/2
<b>24</b>	572	1076	3	x1	1/2
<b>25</b>	817	538	3	x2	1/2

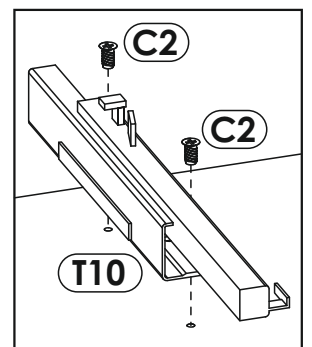
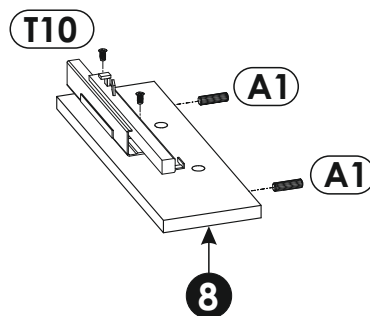
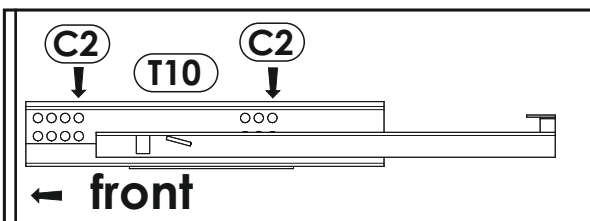




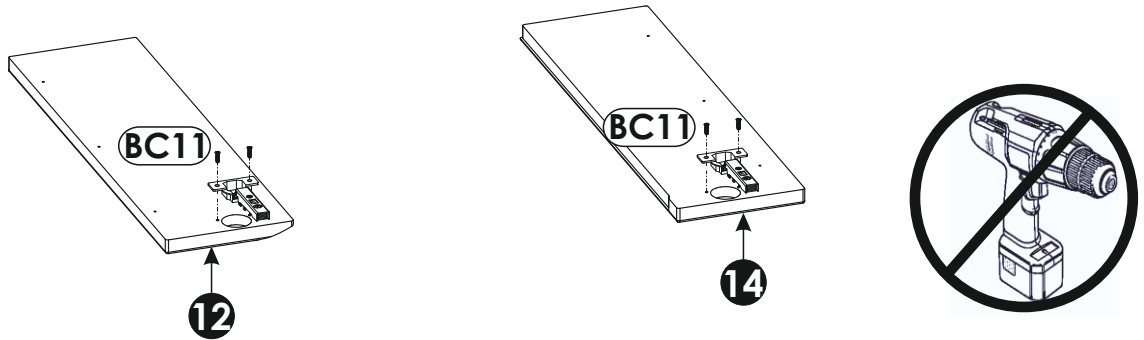
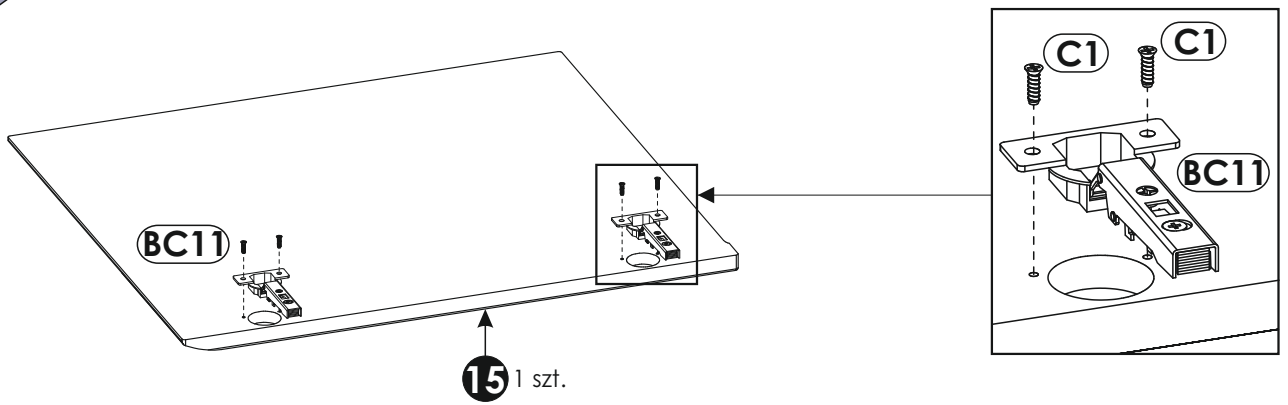
2 ▶



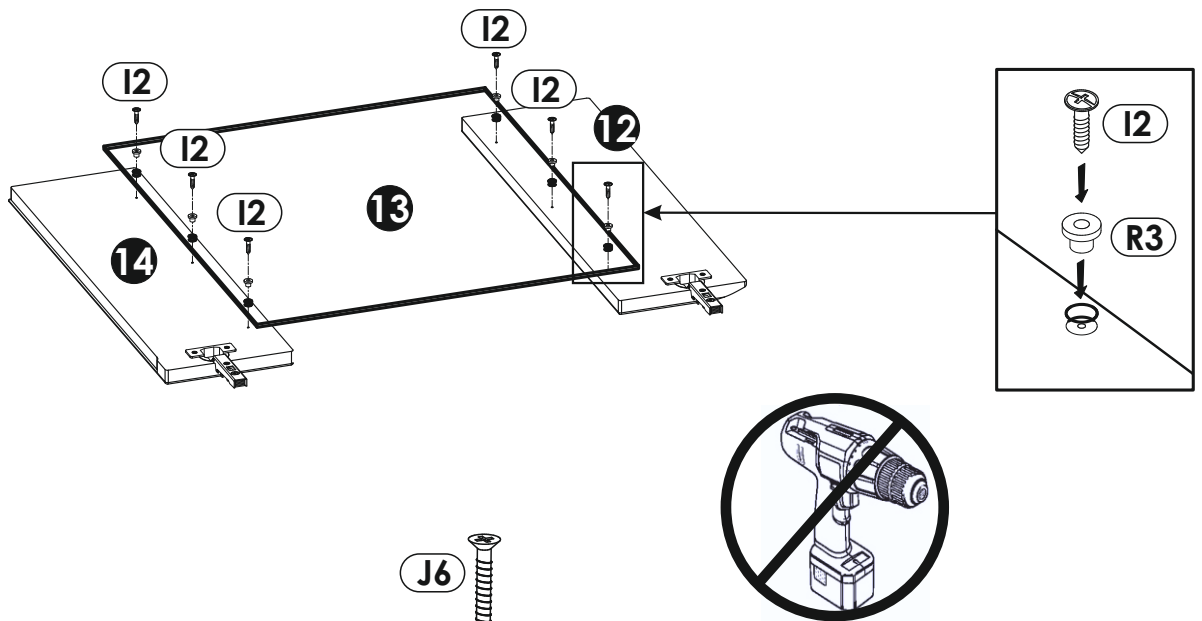
3 ▶



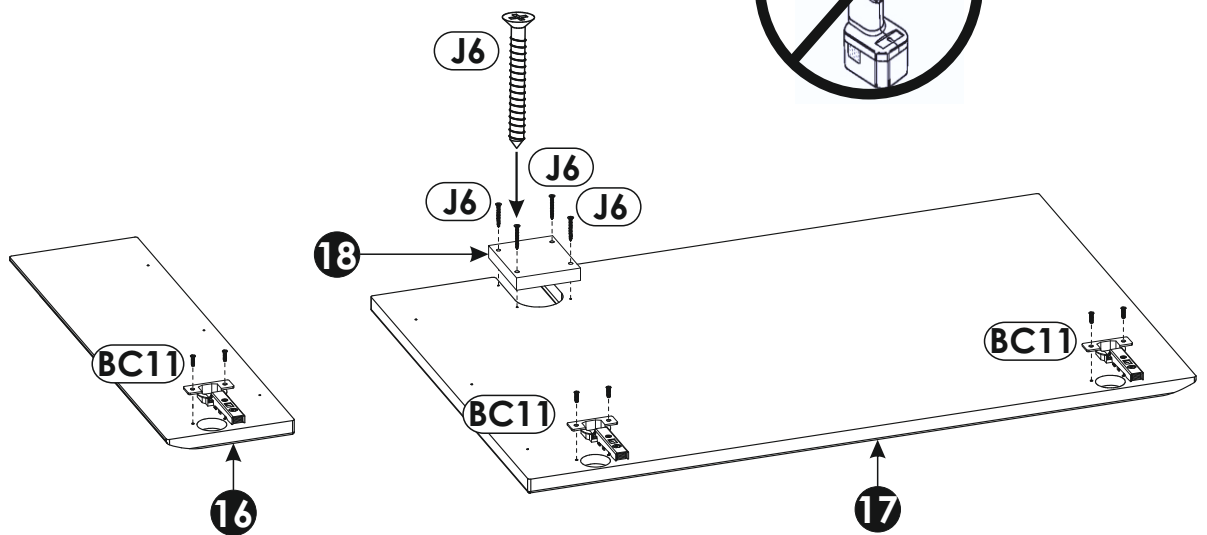
4 ▶



5 ▶

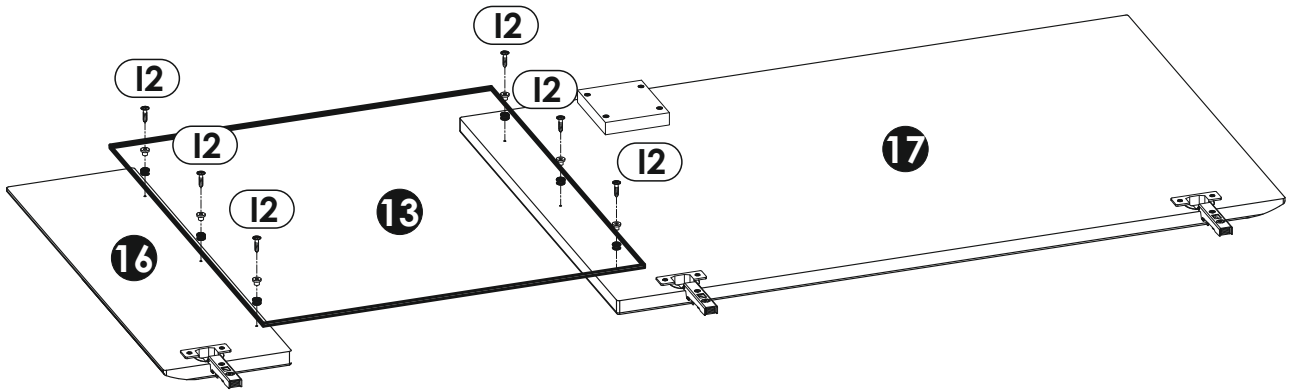
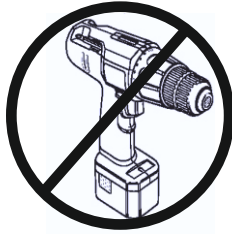


6 ▶

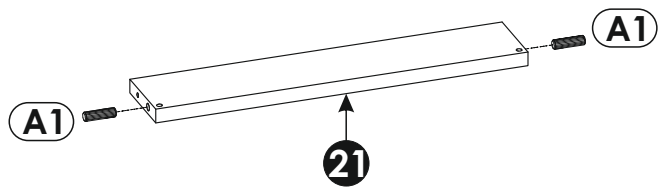
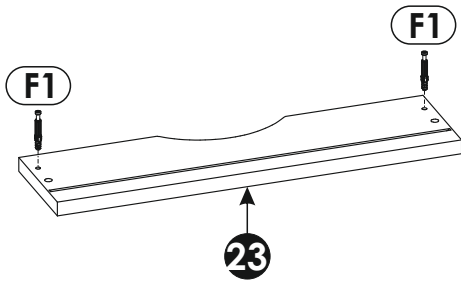
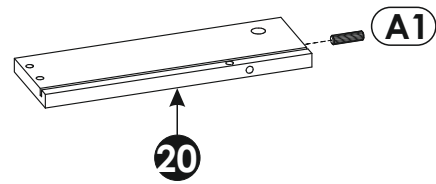
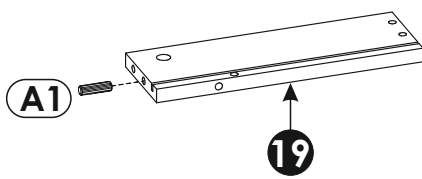




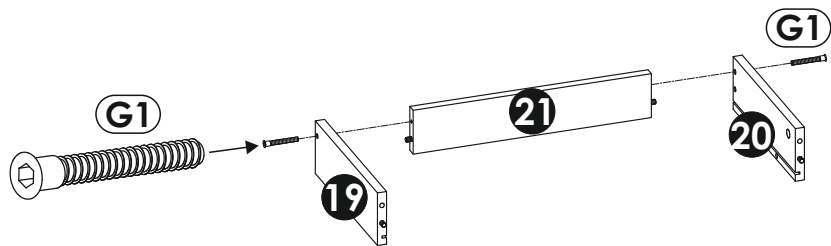
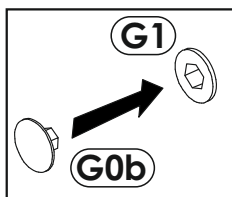
7 ▶



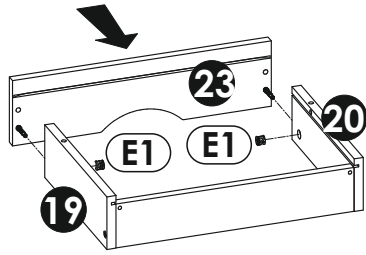
8 ▶



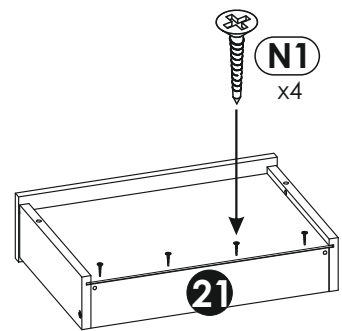
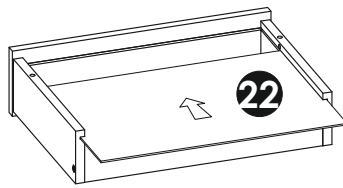
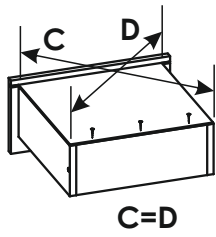
9 ▶



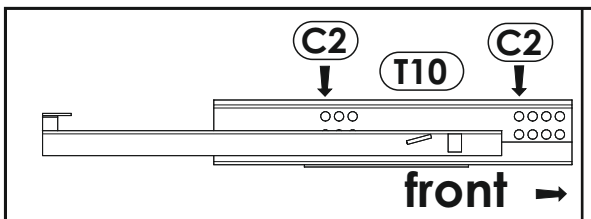
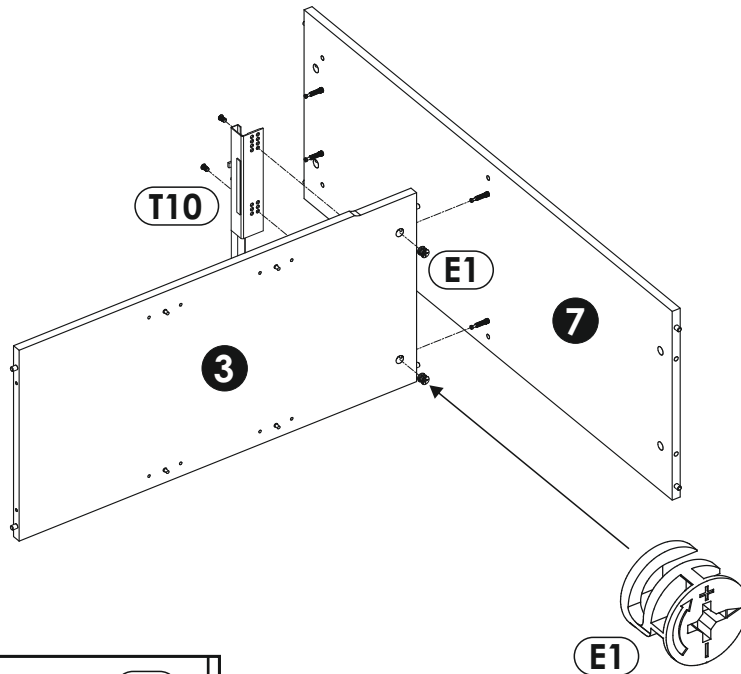
10 ▶



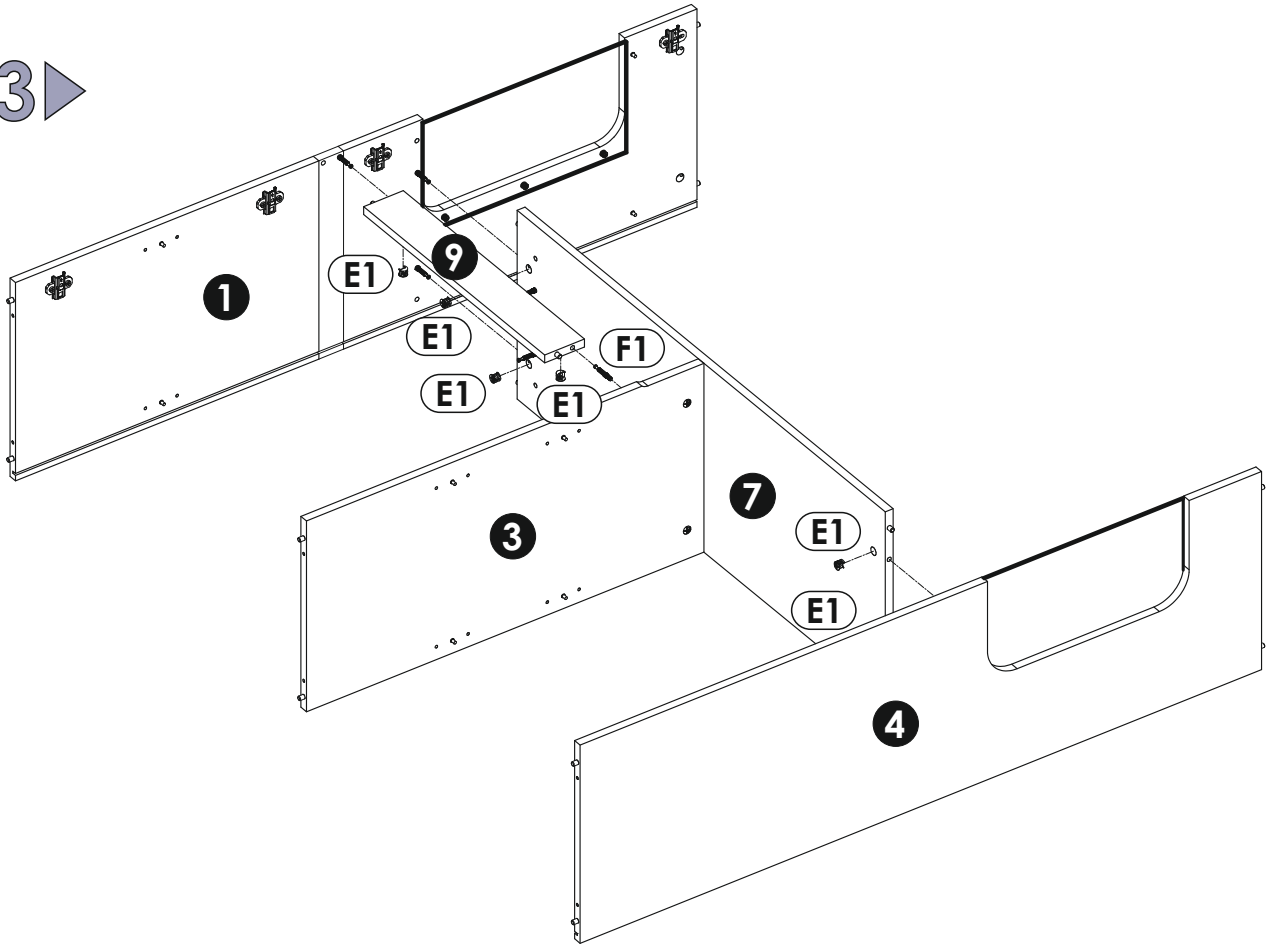
11 ▶



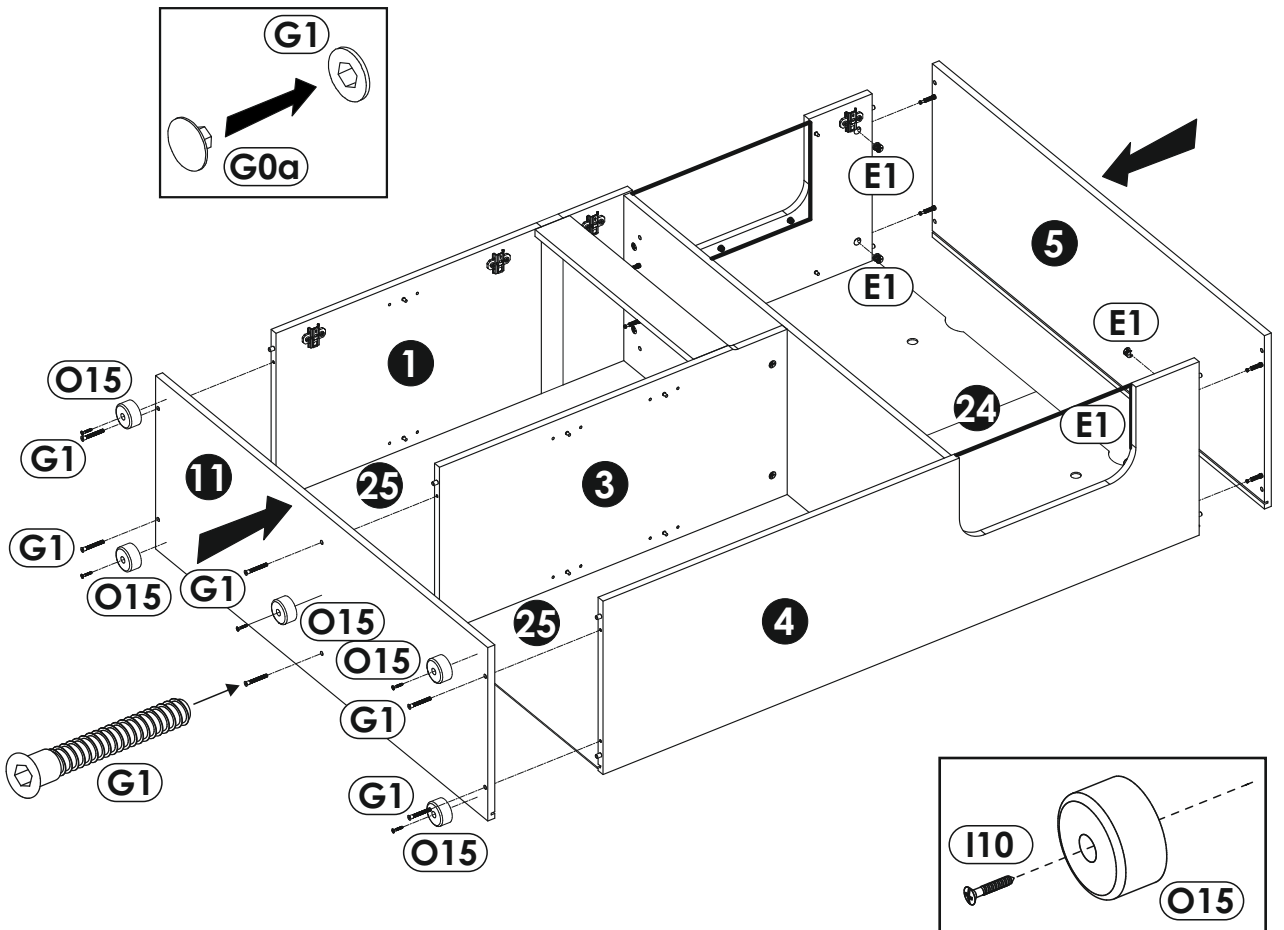
12 ▶



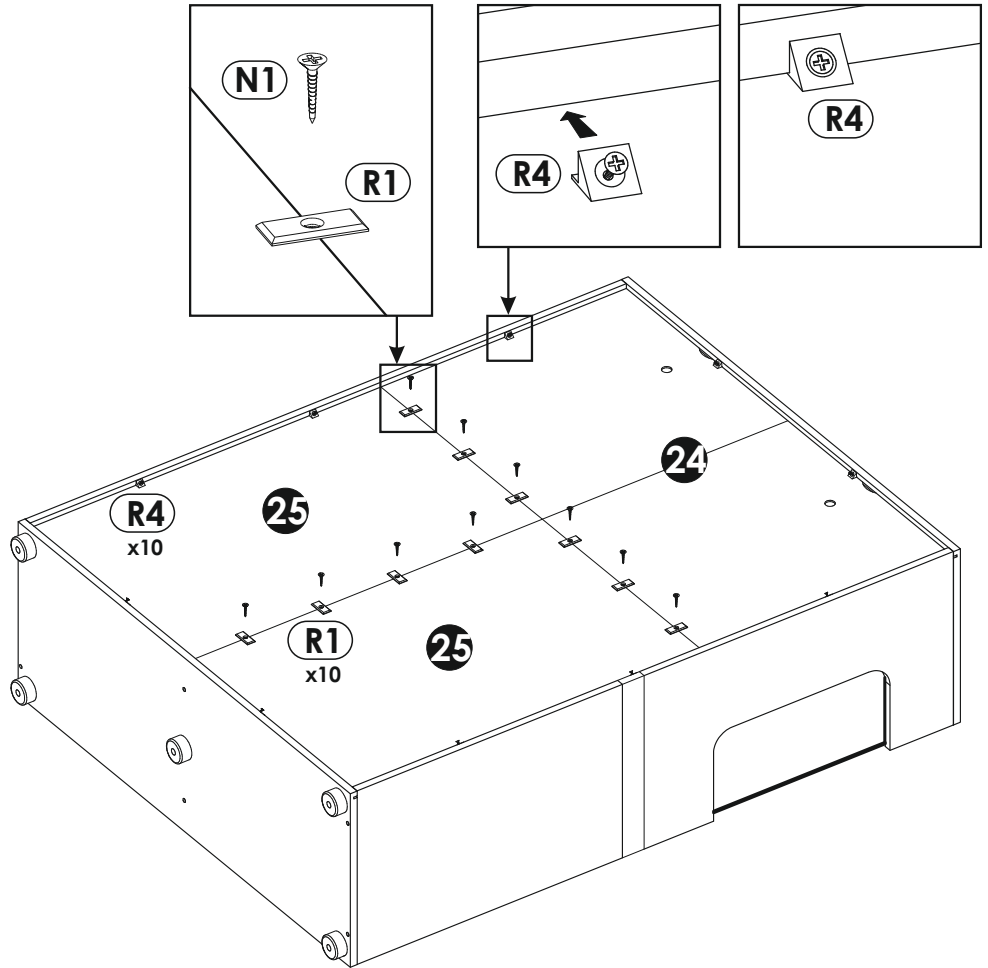
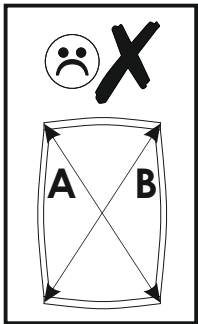
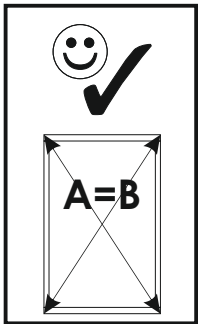
13 ▶



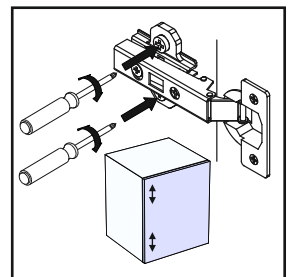
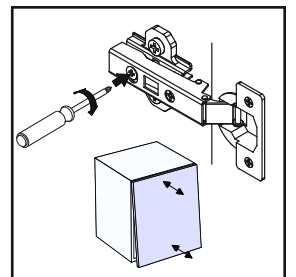
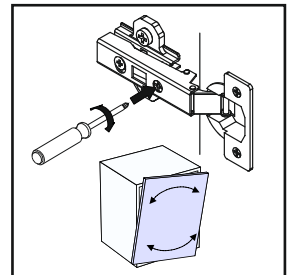
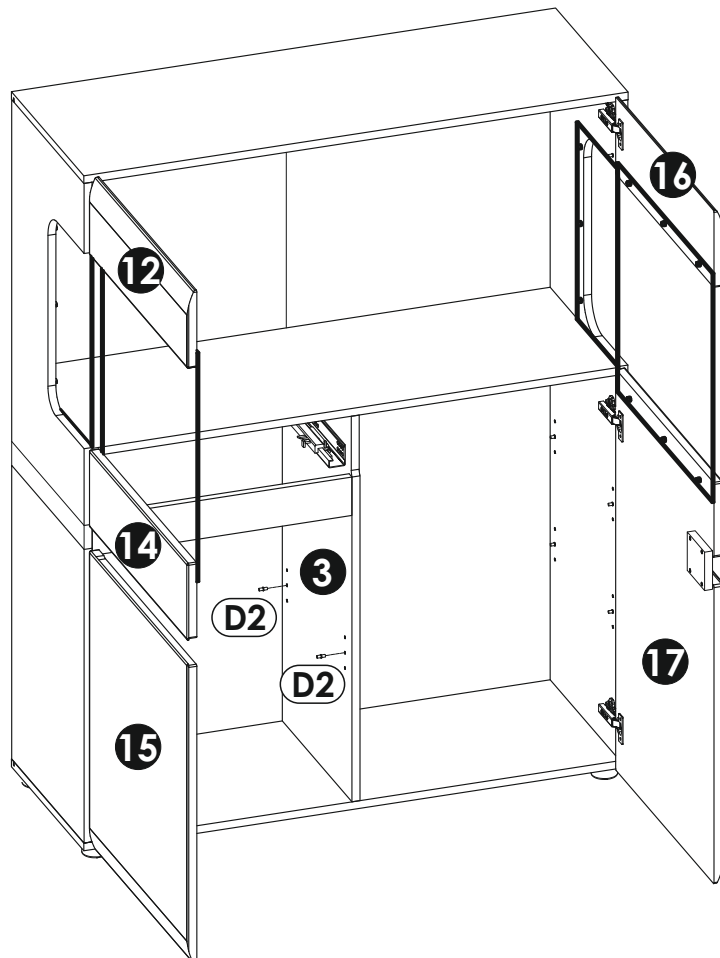
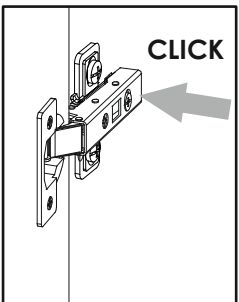
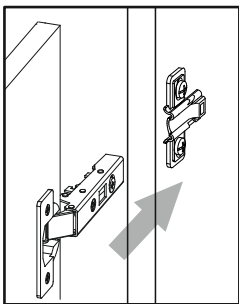
14 ▶



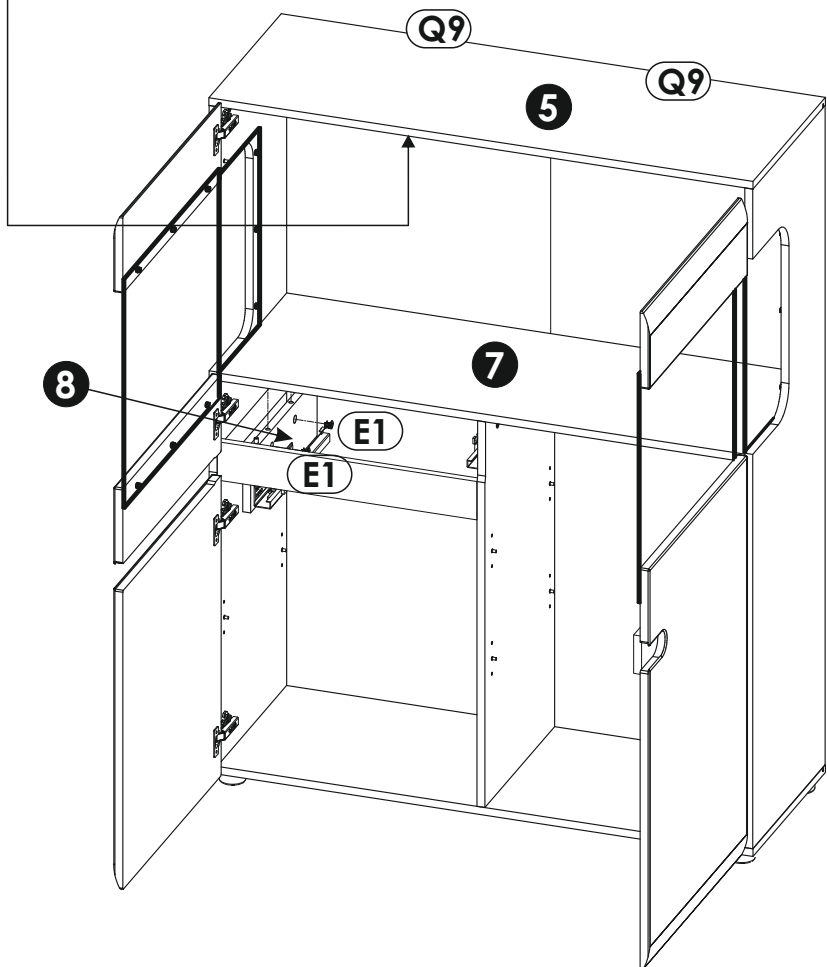
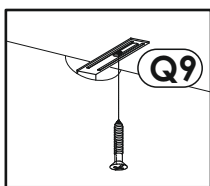
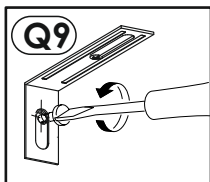
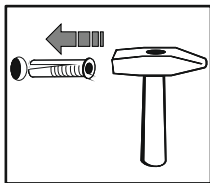
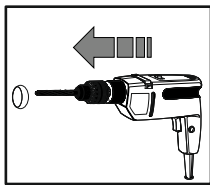
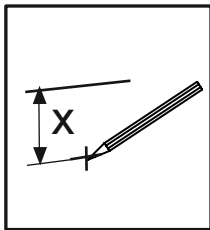
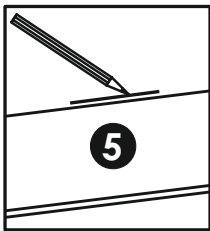
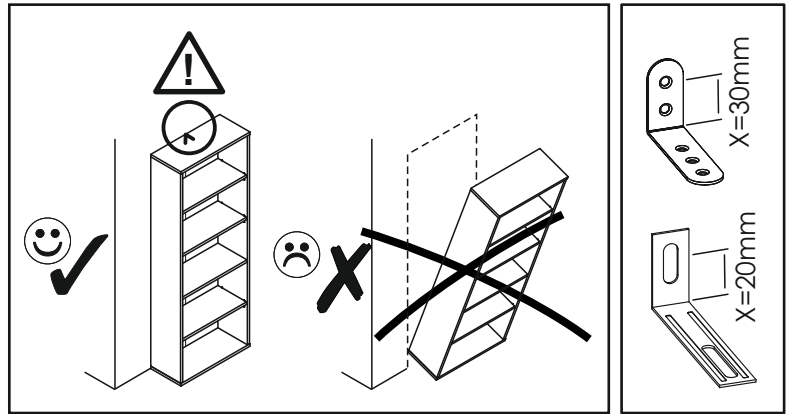
# 15 ▶

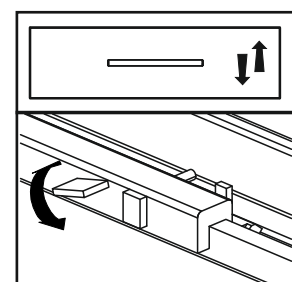
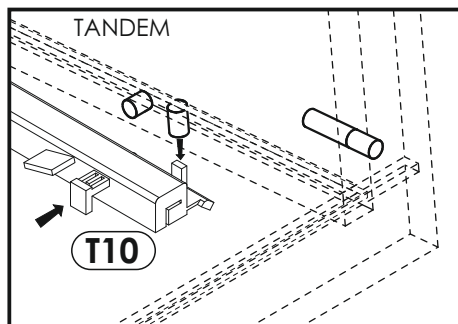
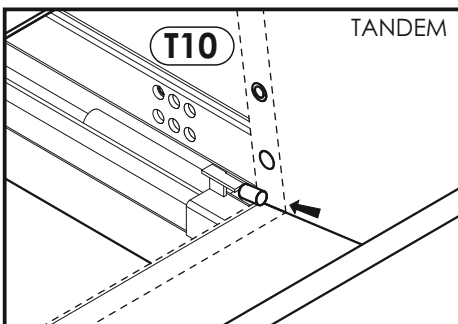
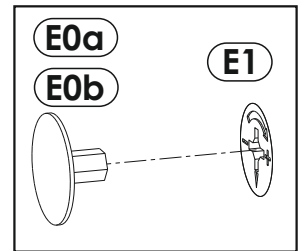
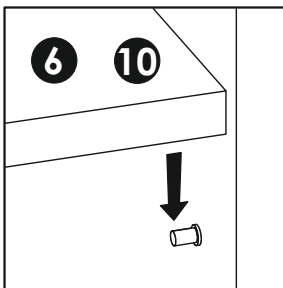
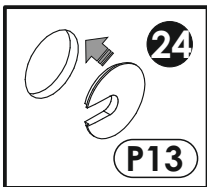
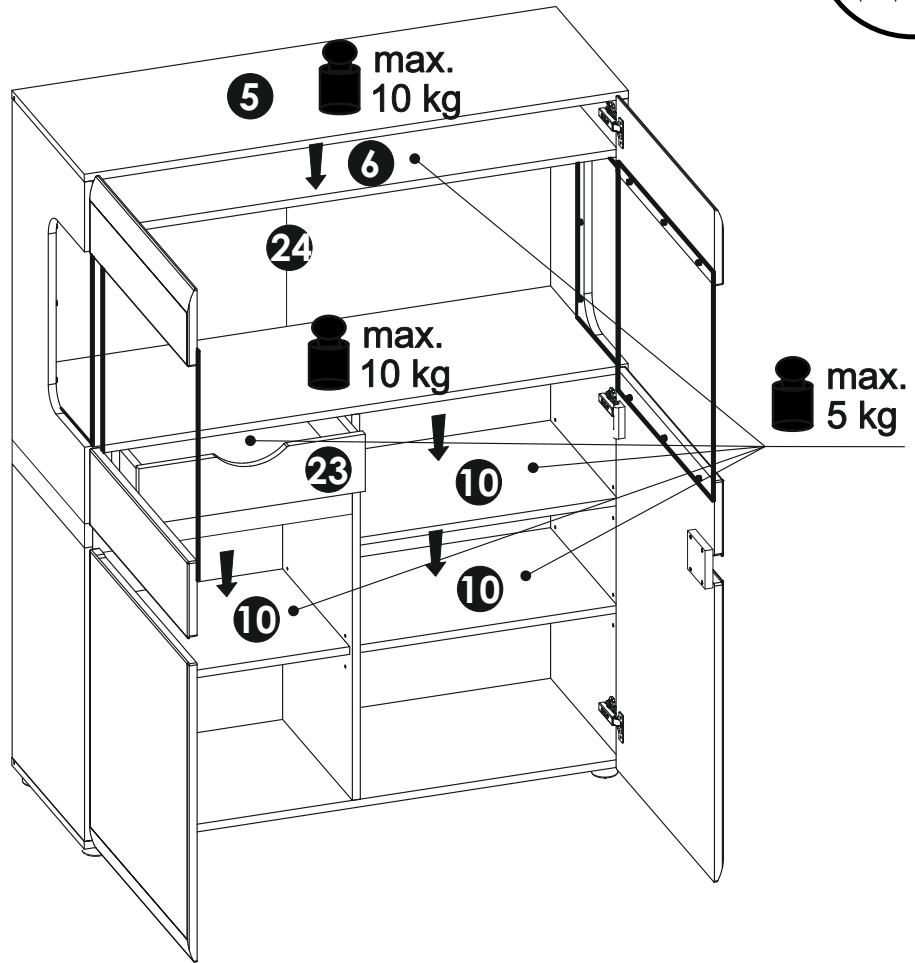


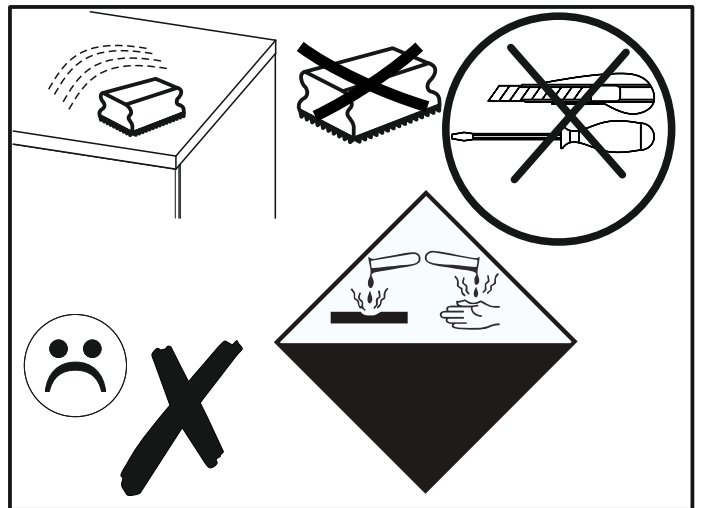
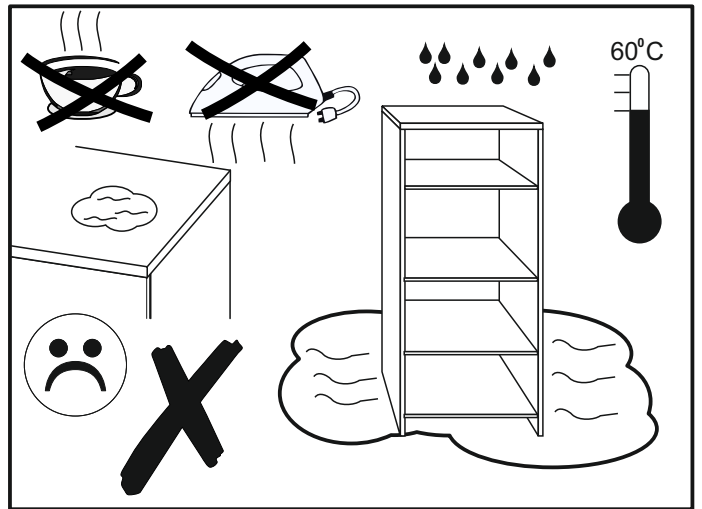
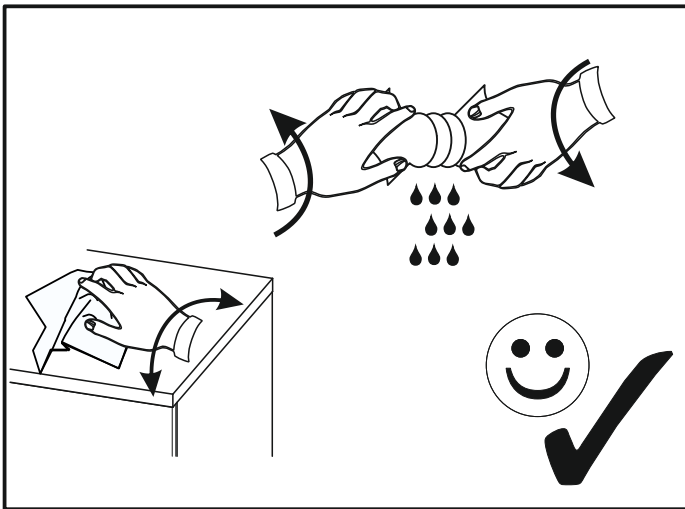
# 16 ▶

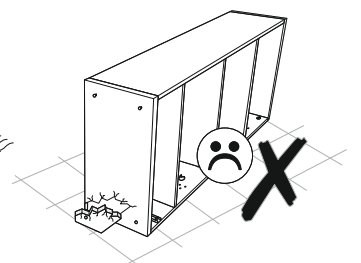
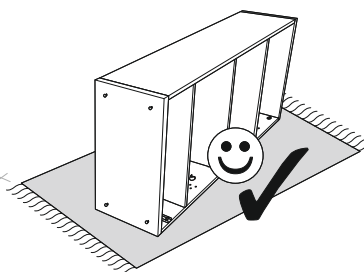
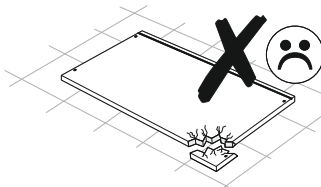
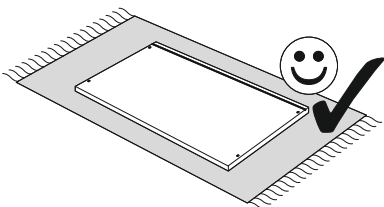
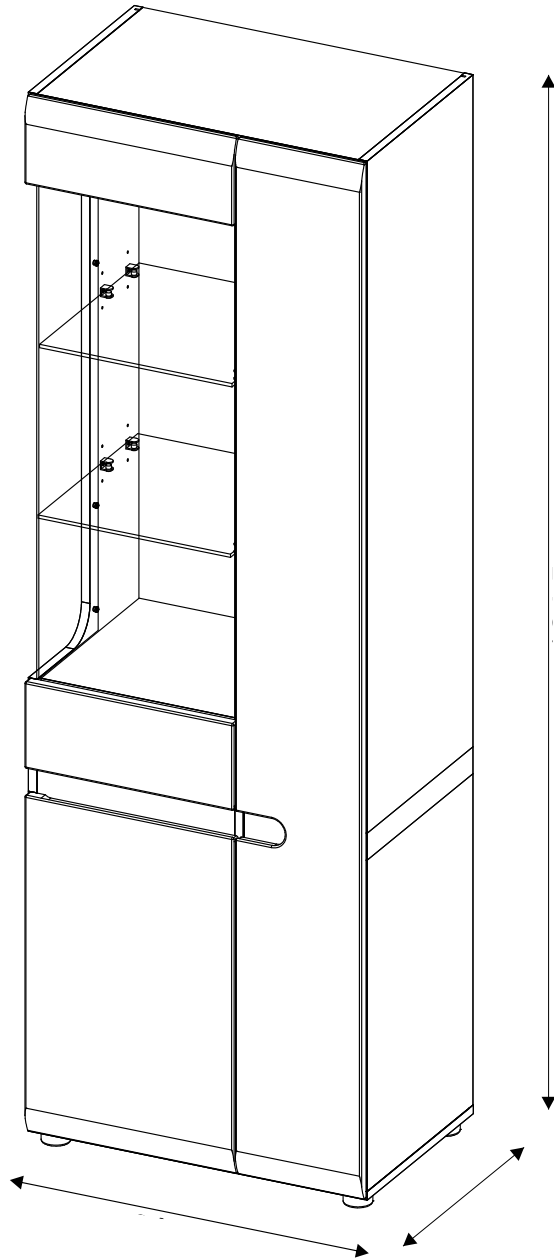
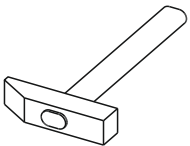
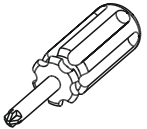
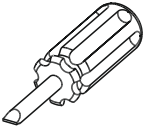
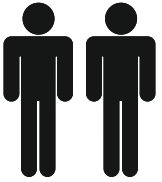


17 ▶

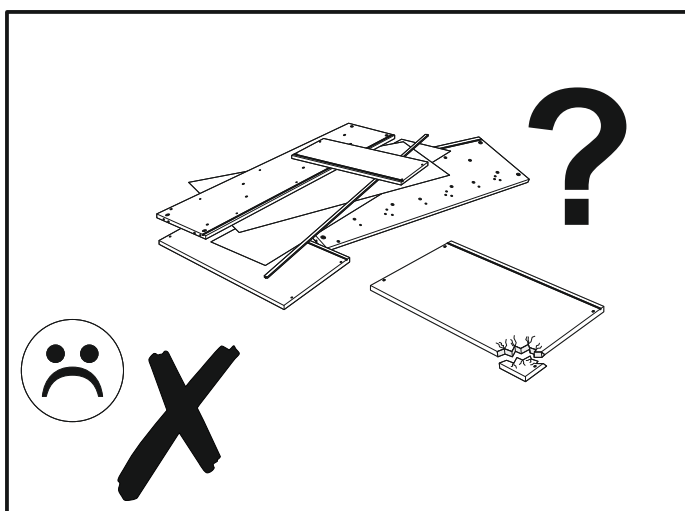
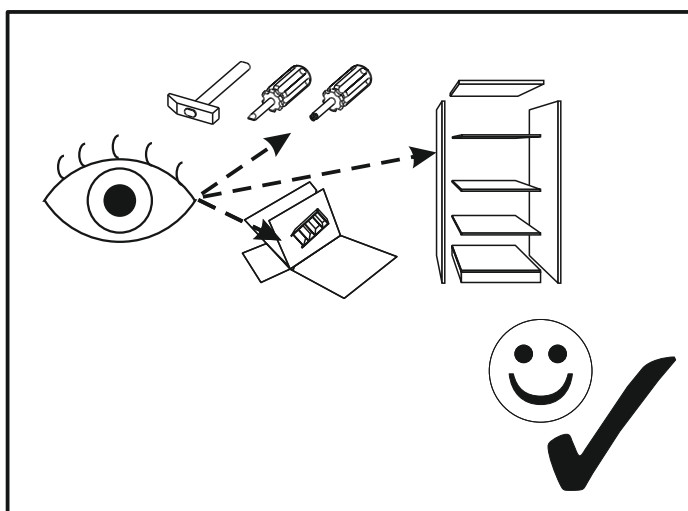
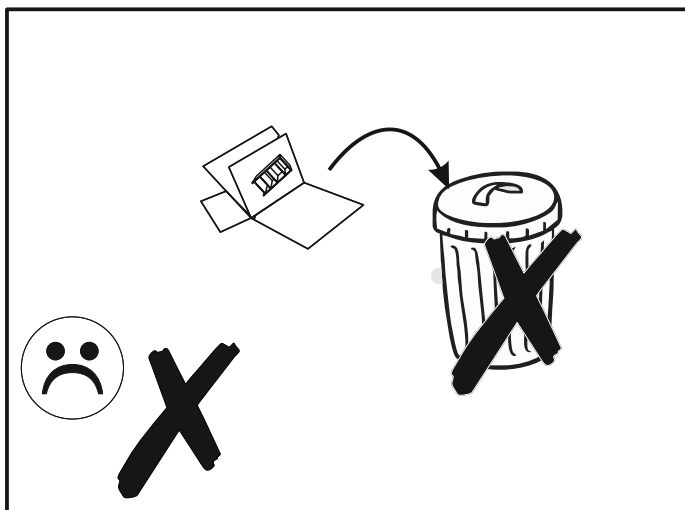
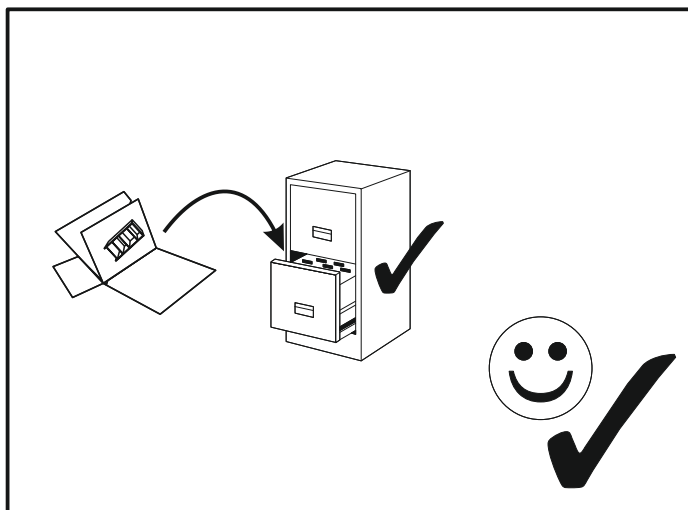
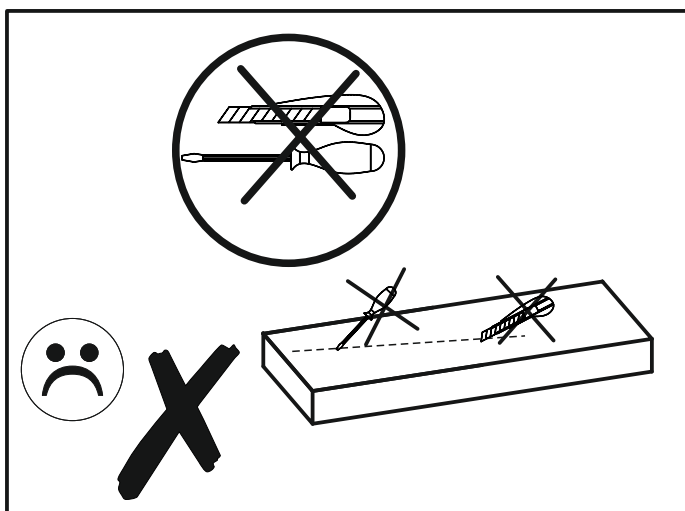
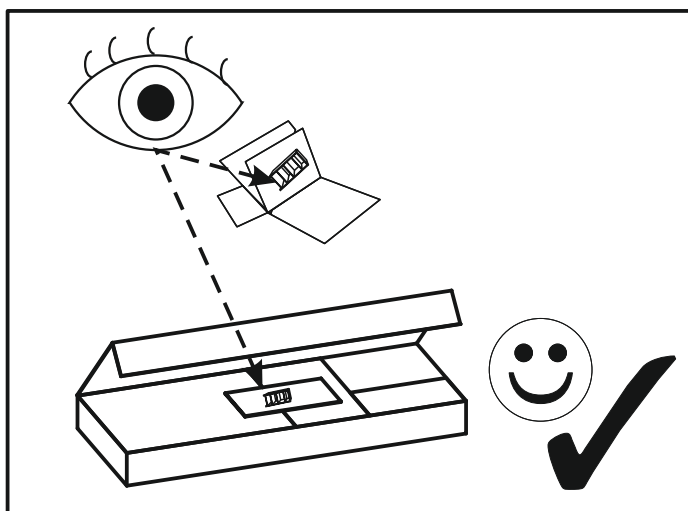



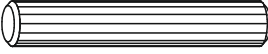
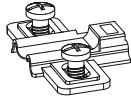
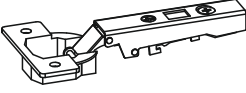


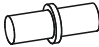
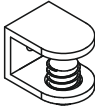




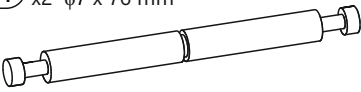





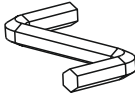

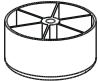

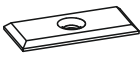
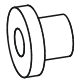
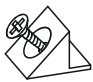
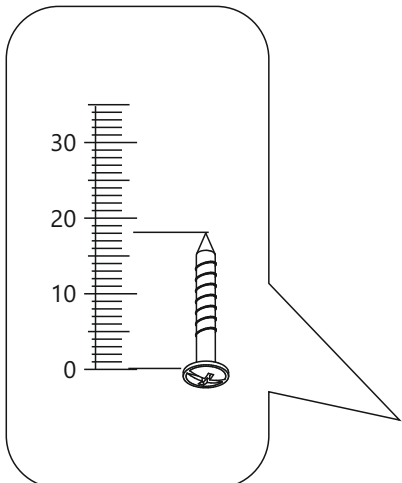


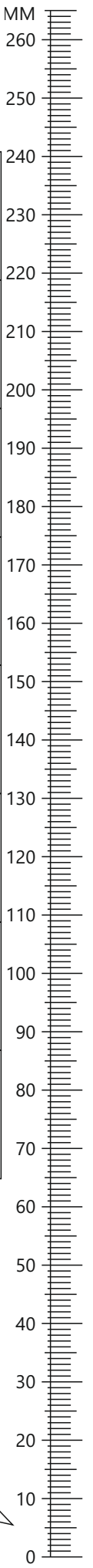


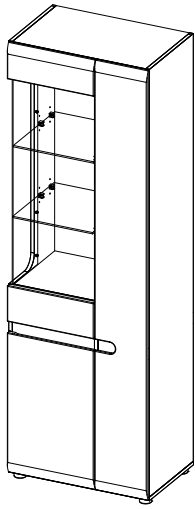




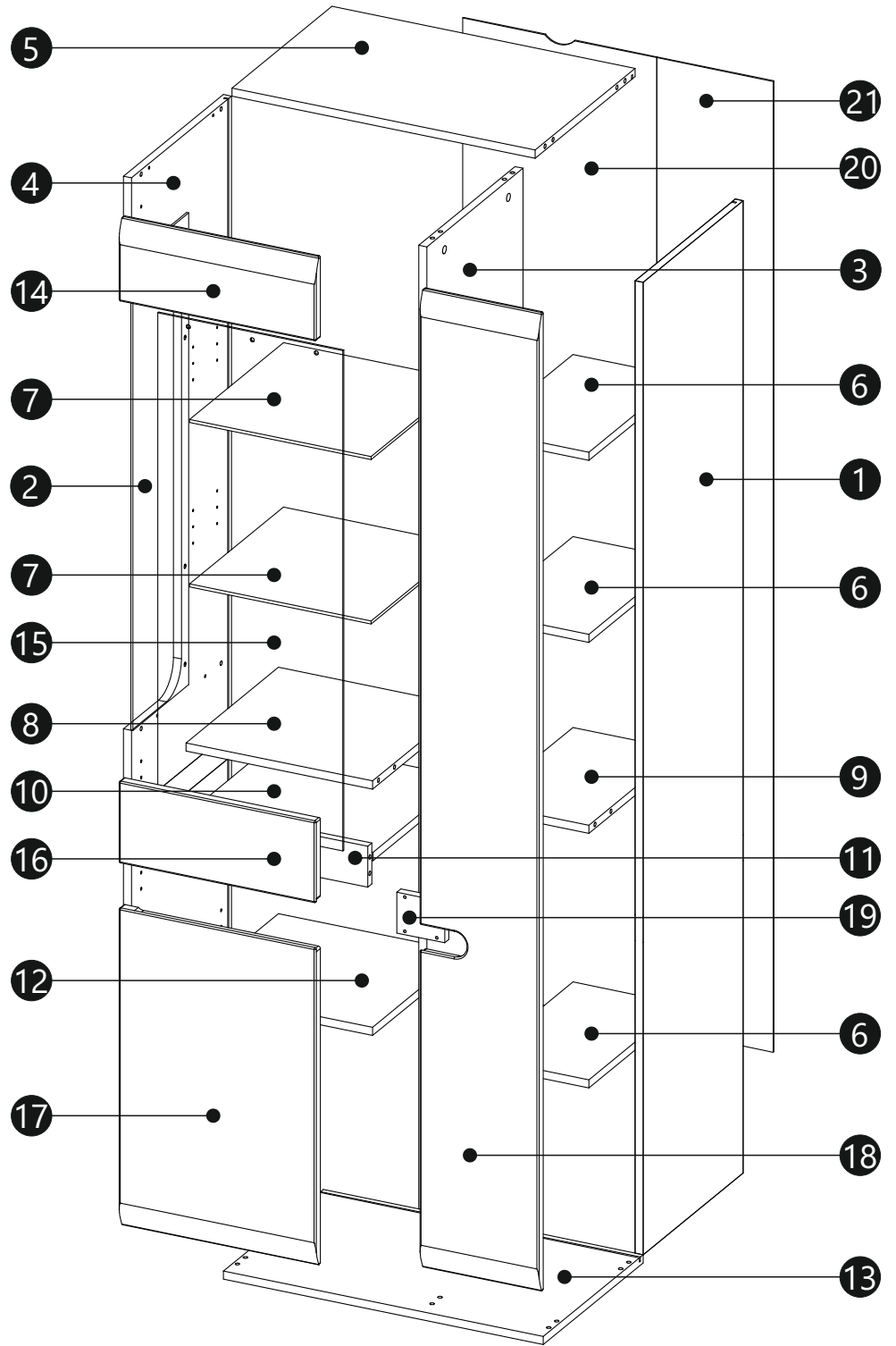


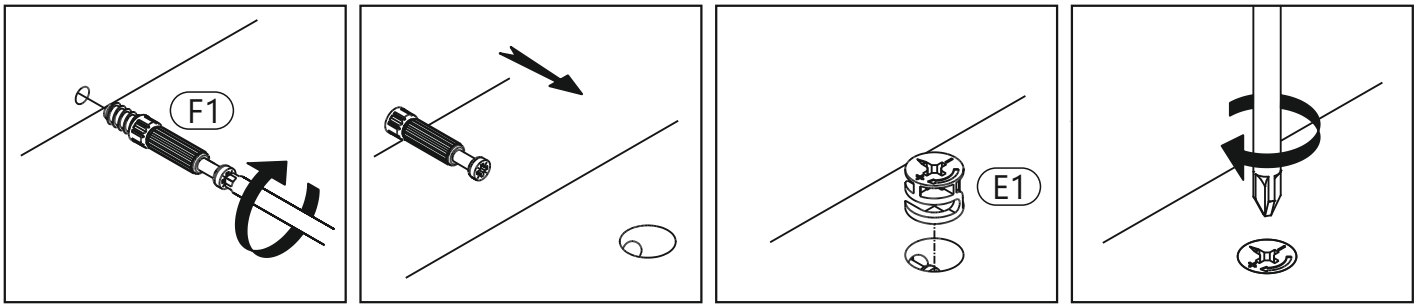
<p><b>(A1)</b> x18 <math>\phi 8 \times 35</math> mm</p> 	<p><b>(A3)</b> x2 <math>\phi 8 \times 60</math> mm</p> 	<p><b>(BC10)</b> x7</p> 
<p><b>(BC11)</b> x7</p> 	<p><b>(C1)</b> x14 4 x 13 mm</p> 	<p><b>(C2)</b> x8 5 x 13 mm</p> 
<p><b>(D2)</b> x20</p> 	<p><b>(D5)</b> x8</p> 	<p><b>(E0a)</b> x4</p> 
<p><b>(E0b)</b> x12</p> 	<p><b>(E1)</b> x16</p> 	<p><b>(F1)</b> x12</p> 
<p><b>(F4)</b> x2 <math>\phi 7 \times 76</math> mm</p> 	<p><b>(G0)</b> x6</p> 	<p><b>(G1)</b> x6 <math>\phi 7 \times 50</math> mm</p> 
<p><b>(I2)</b> x11 4 x 16 mm</p> 	<p><b>(I10)</b> x5 3,5 x 22 mm</p> 	<p><b>(J6)</b> x4 4 x 30 mm</p> 
<p><b>(M)</b> x1</p> 	<p><b>(N1)</b> x20 3 x 16 mm</p> 	<p><b>(O15)</b> x5 <math>\phi 50 \times 25</math> mm</p> 
<p><b>(Q9)</b> x1</p> 	<p><b>(R1)</b> x12</p> 	<p><b>(R3)</b> x10</p> 
<p><b>(R4)</b> x12</p> 		



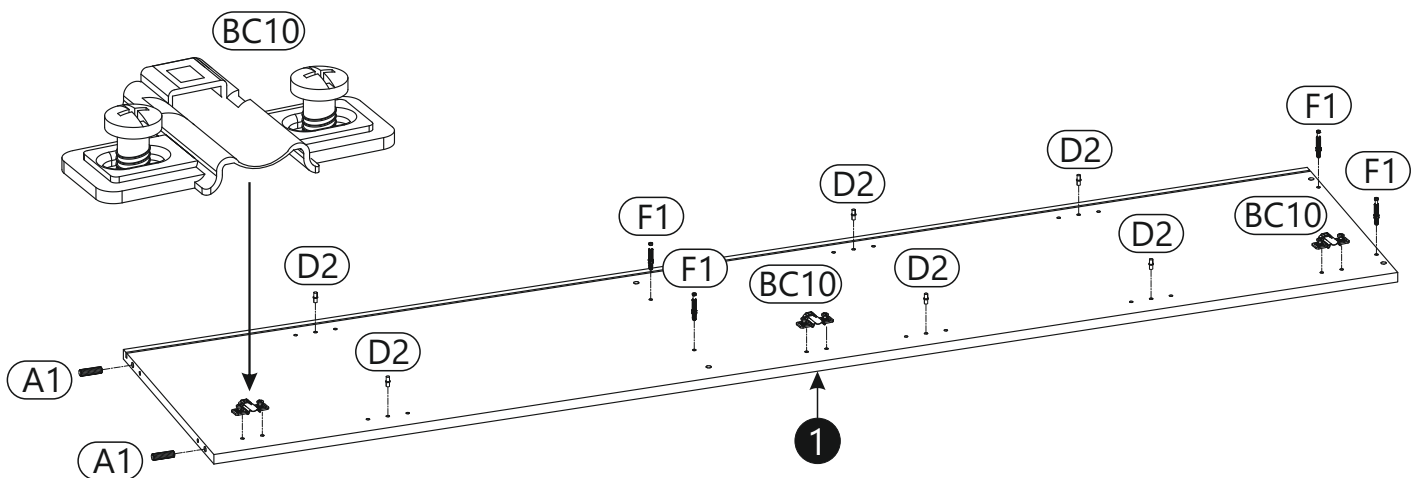
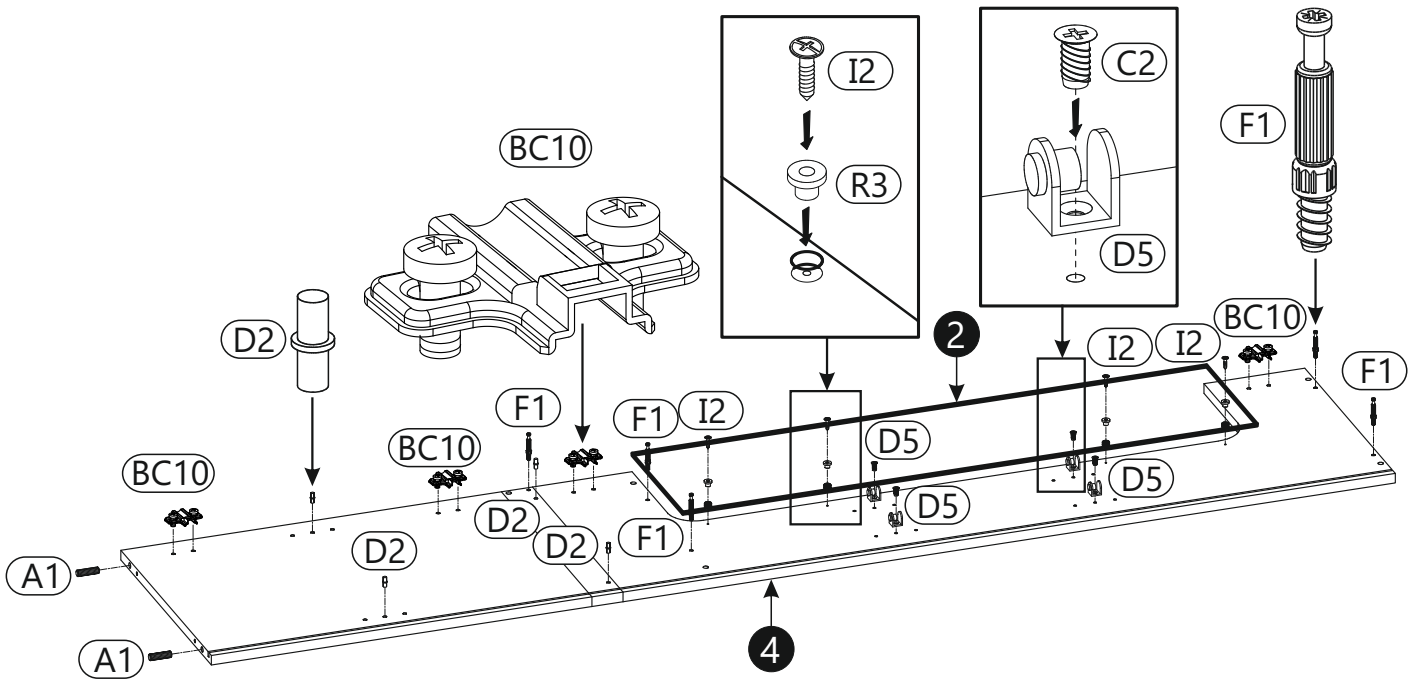
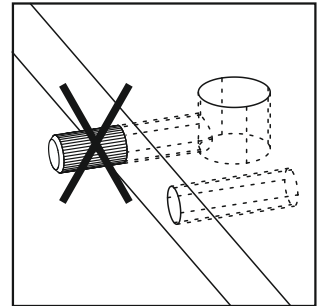
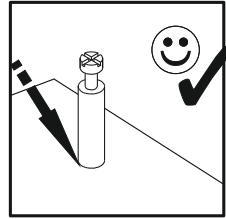
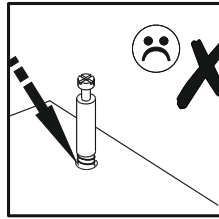


1	1904	400	16	x1	2/2
2	924	224	4	x1	2/2
3	1887	385	16	x1	2/2
4	1904	400	16	x1	2/2
5	607	400	16	x1	1/2
6	217	370	16	x3	1/2
7	376	363	6	x2	1/2
8	373	370	16	x1	1/2
9	217	370	16	x1	1/2
10	373	368	16	x1	1/2
11	373	80	16	x1	1/2
12	373	370	16	x1	1/2
13	640	400	16	x1	1/2
14	394	160	19	x1	1/2
15	980	370	4	x1	2/2
16	394	160	19	x1	1/2
17	394	626	19	x1	1/2
18	238	1916	19	x1	2/2
19	96	80	16	x1	1/2
20	1901	388	3	x1	2/2
21	1901	233	3	x1	2/2

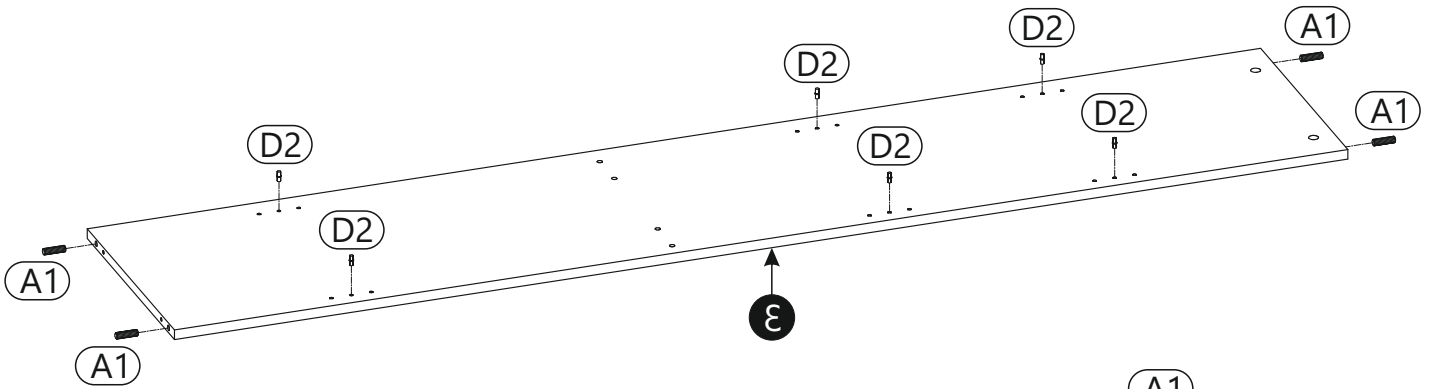




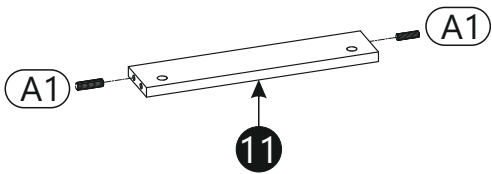
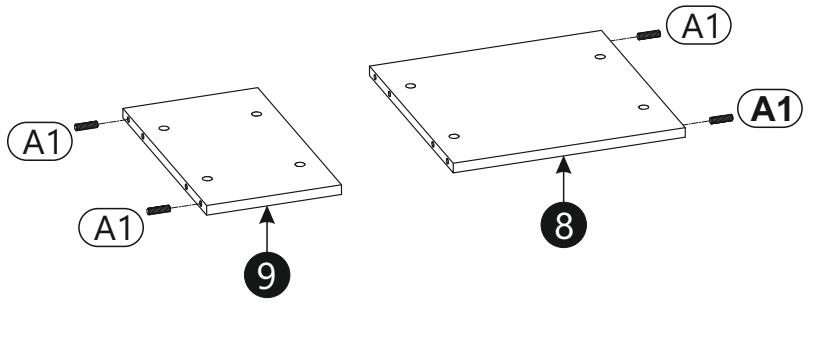
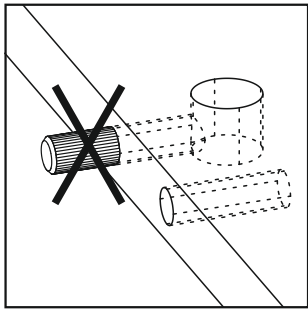
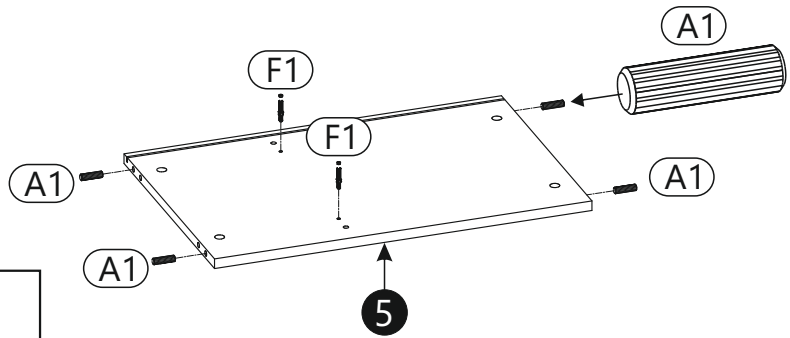
1 ▶



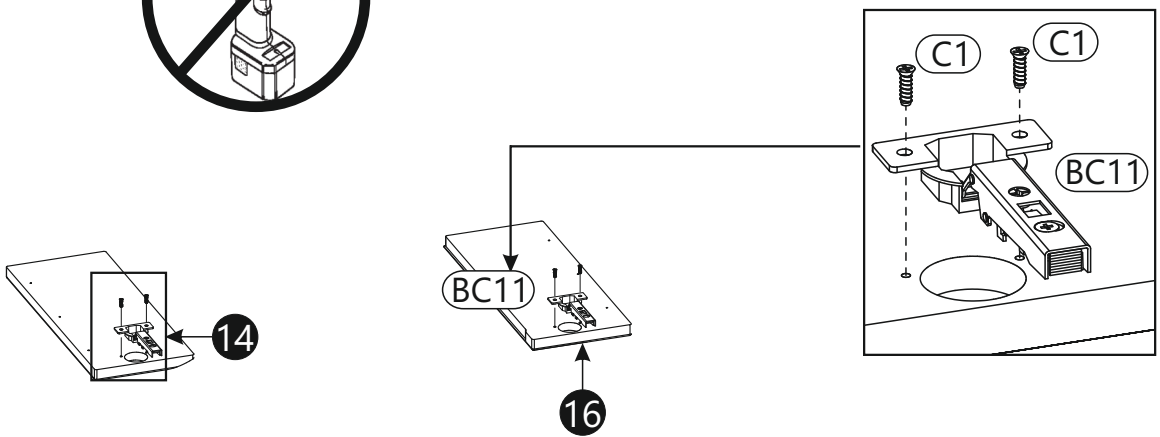
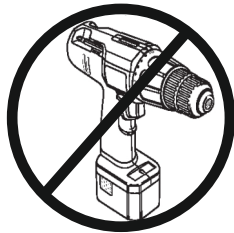
2 ▶



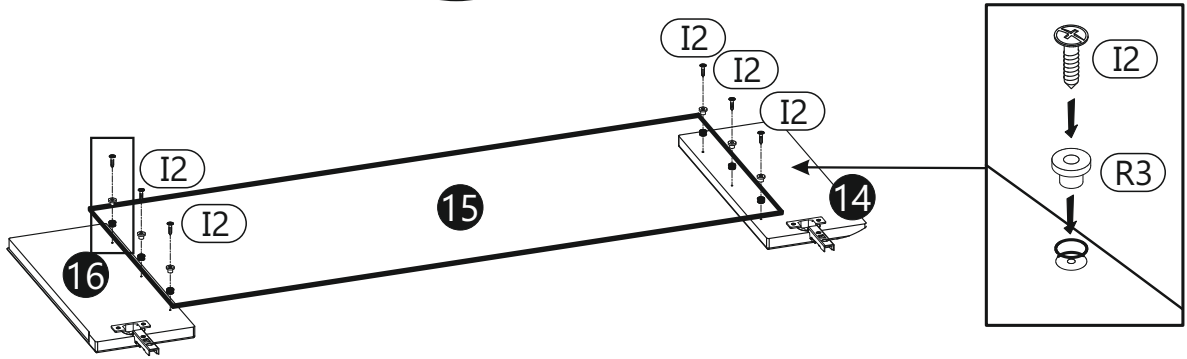
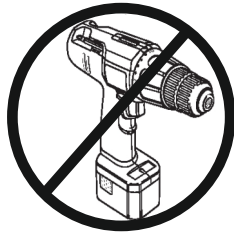
3 ▶



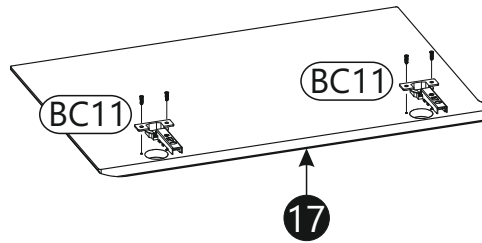
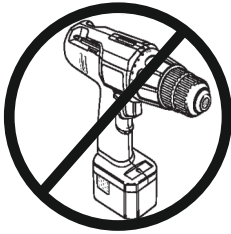
4 ▶



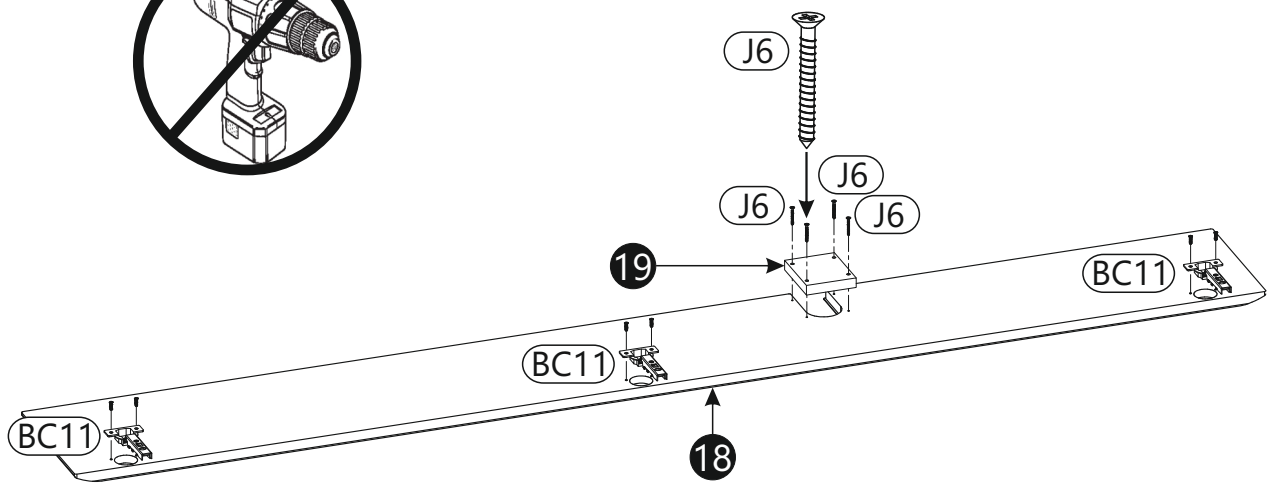
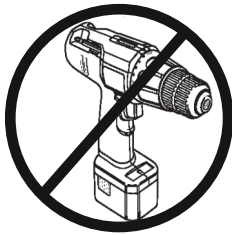
5 ▶



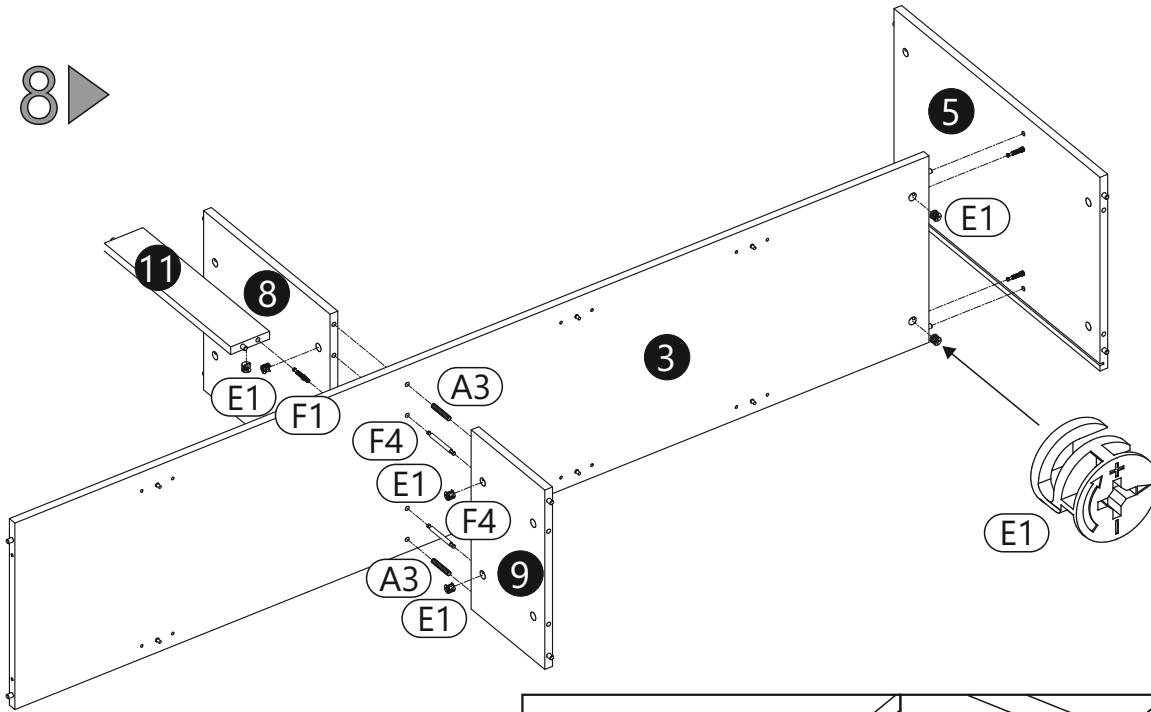
6 ▶



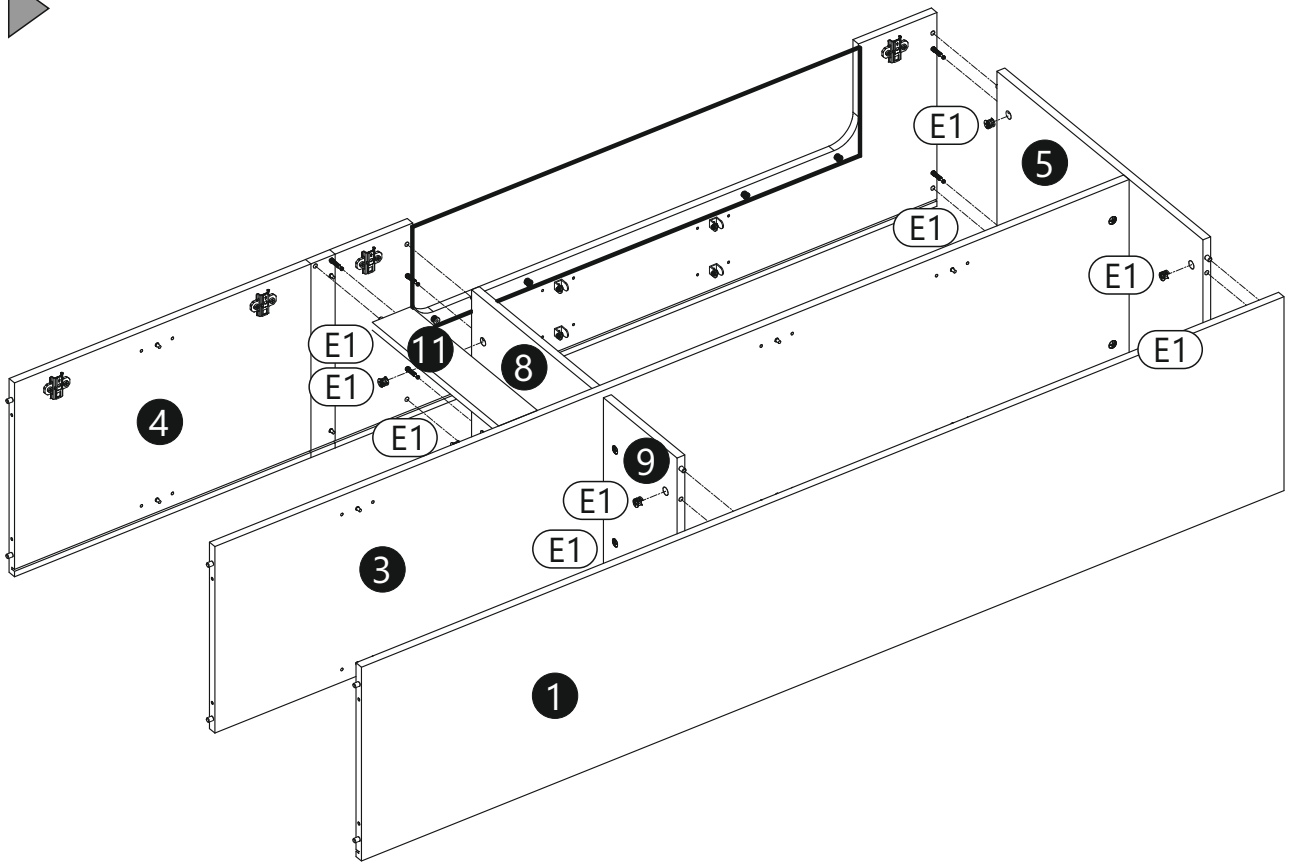
7 ▶



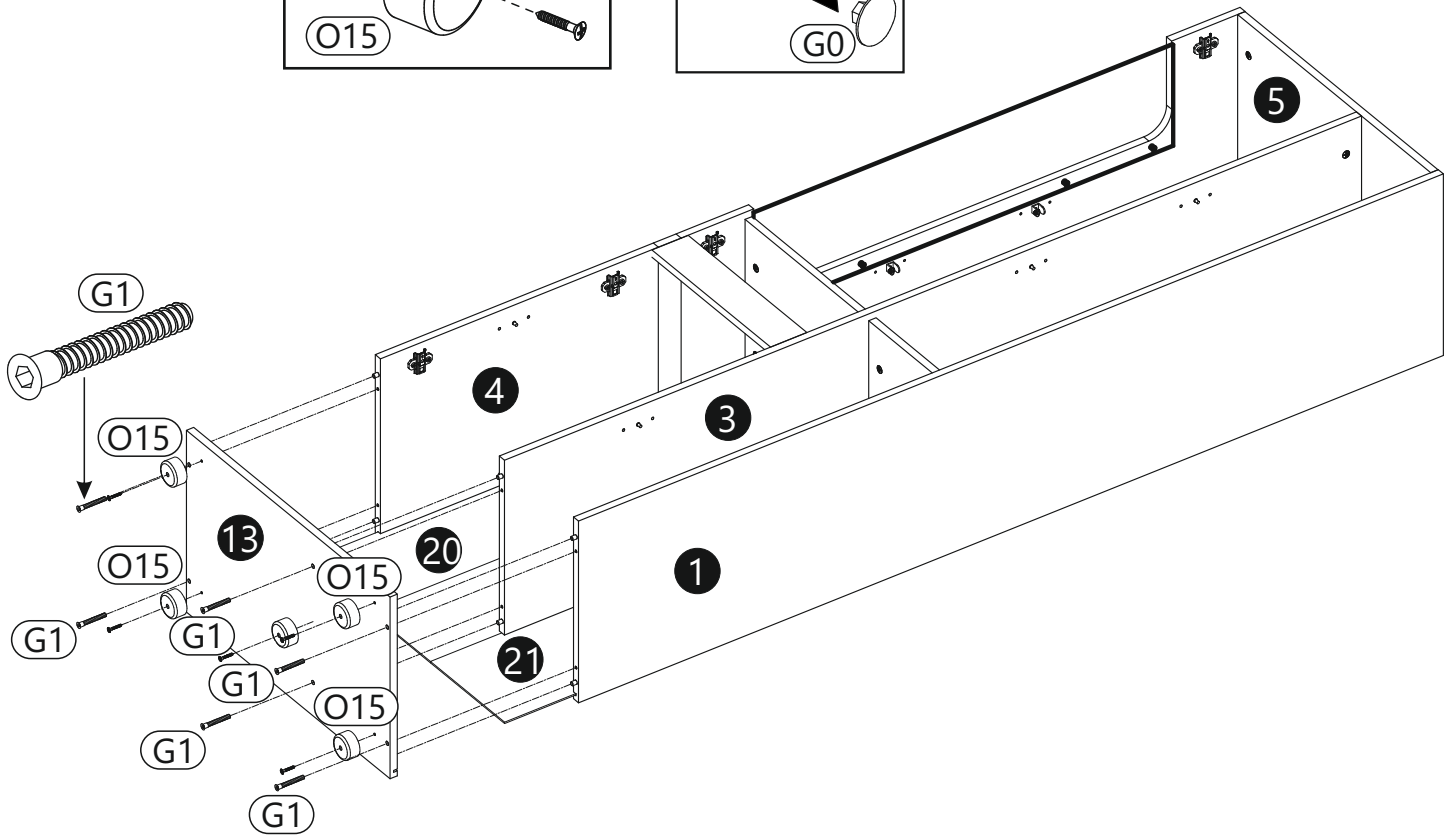
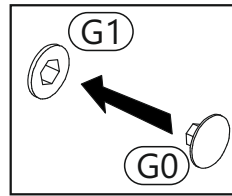
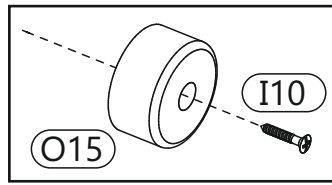
8 ▶



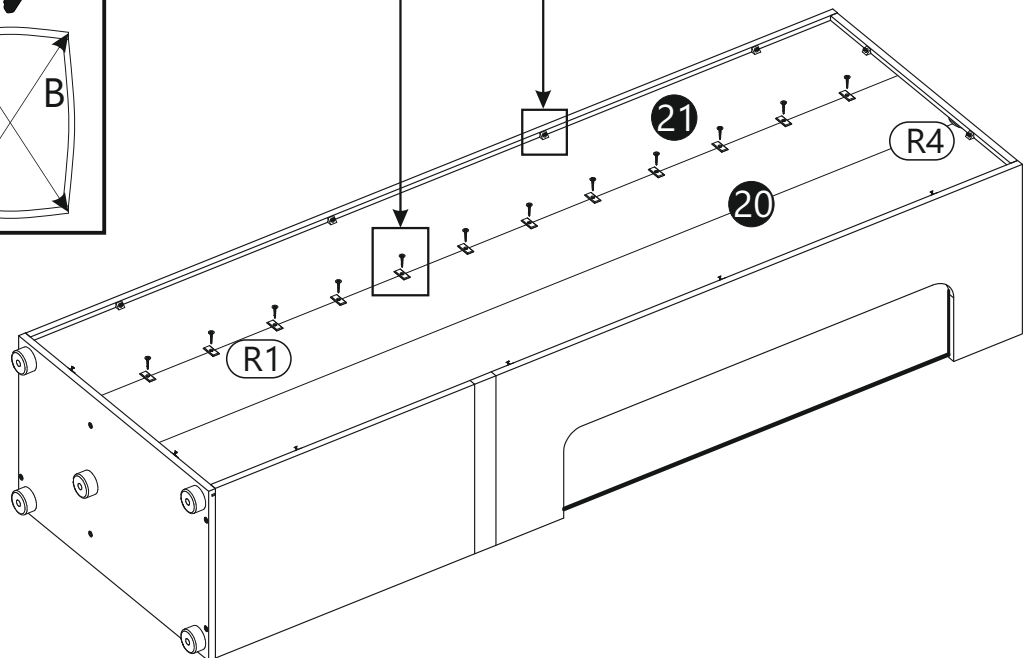
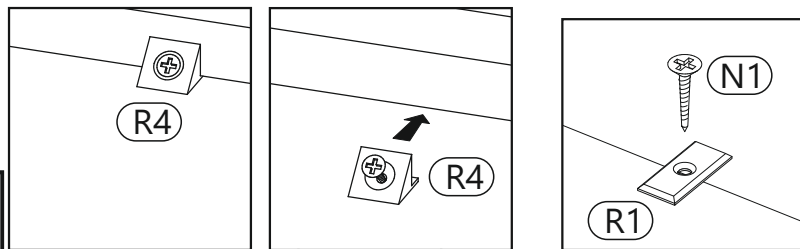
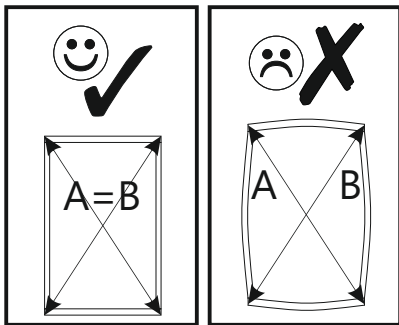
9 ▶



10 ▶



11 ▶





12 ▶

