
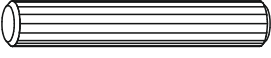
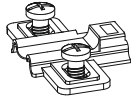
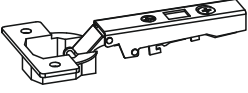


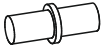
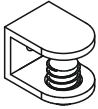

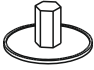


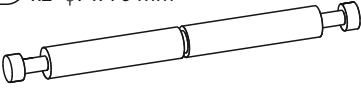





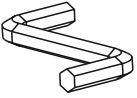

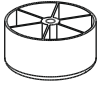

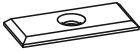
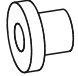
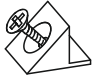
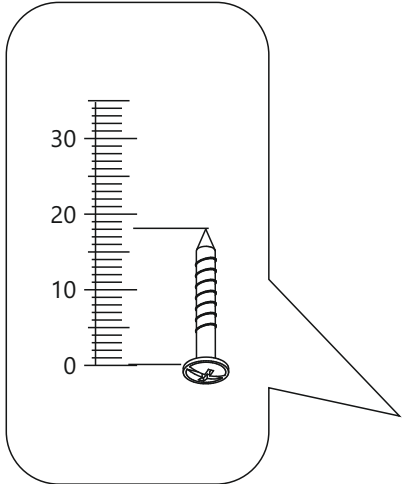
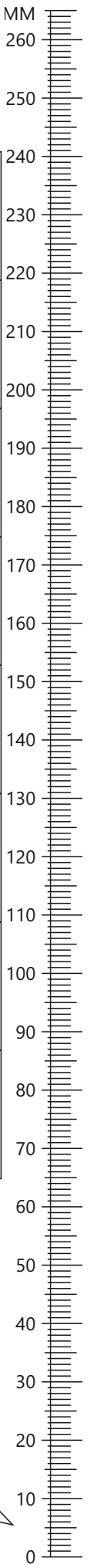
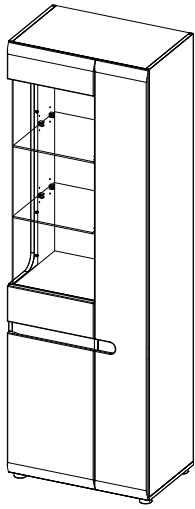
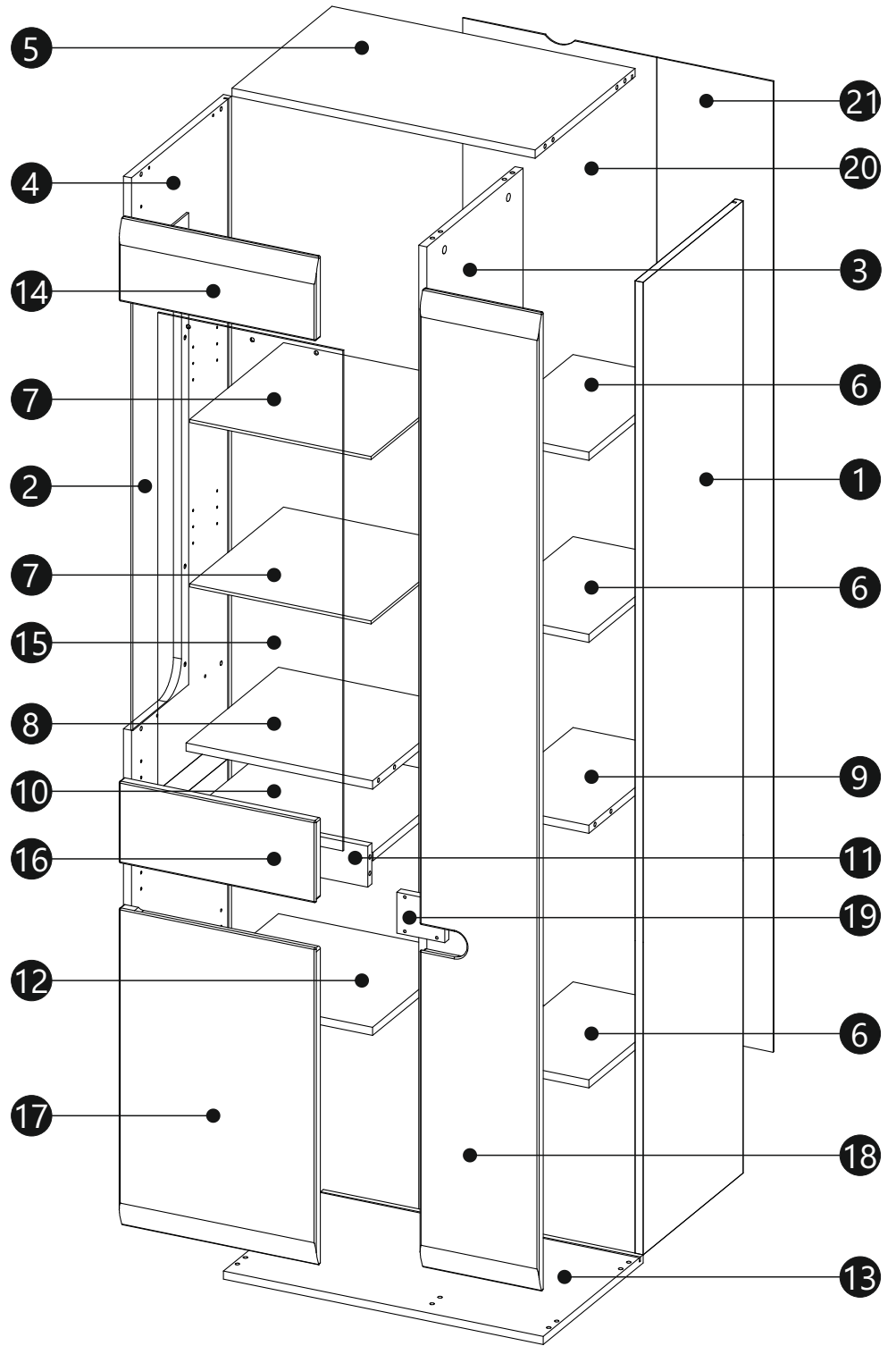


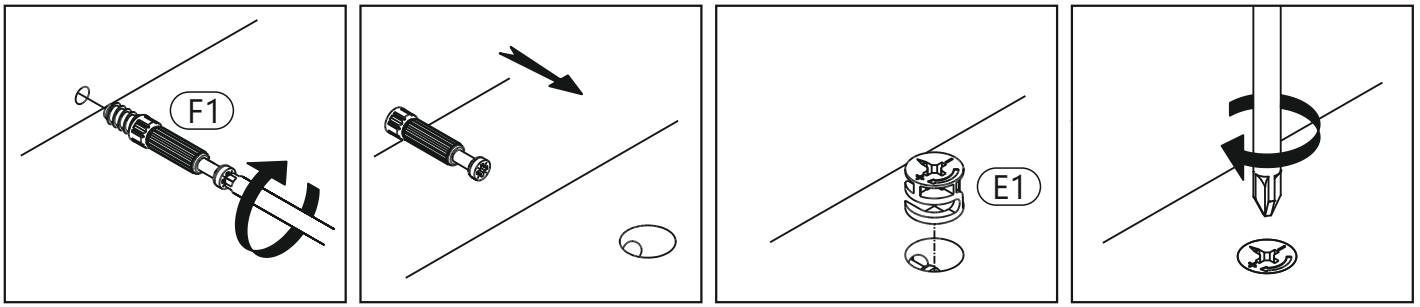
<p>(A1) x18 $\phi 8 \times 35$ mm</p> 	<p>(A3) x2 $\phi 8 \times 60$ mm</p> 	<p>(BC10) x7</p> 
<p>(BC11) x7</p> 	<p>(C1) x14 4 x 13 mm</p> 	<p>(C2) x8 5 x 13 mm</p> 
<p>(D2) x20</p> 	<p>(D5) x8</p> 	<p>(E0a) x4</p> 
<p>(E0b) x12</p> 	<p>(E1) x16</p> 	<p>(F1) x12</p> 
<p>(F4) x2 $\phi 7 \times 76$ mm</p> 	<p>(G0) x6</p> 	<p>(G1) x6 $\phi 7 \times 50$ mm</p> 
<p>(I2) x11 4 x 16 mm</p> 	<p>(I10) x5 3,5 x 22 mm</p> 	<p>(J6) x4 4 x 30 mm</p> 
<p>(M) x1</p> 	<p>(N1) x20 3 x 16 mm</p> 	<p>(O15) x5 $\phi 50 \times 25$ mm</p> 
<p>(Q9) x1</p> 	<p>(R1) x12</p> 	<p>(R3) x10</p> 
<p>(R4) x12</p> 		



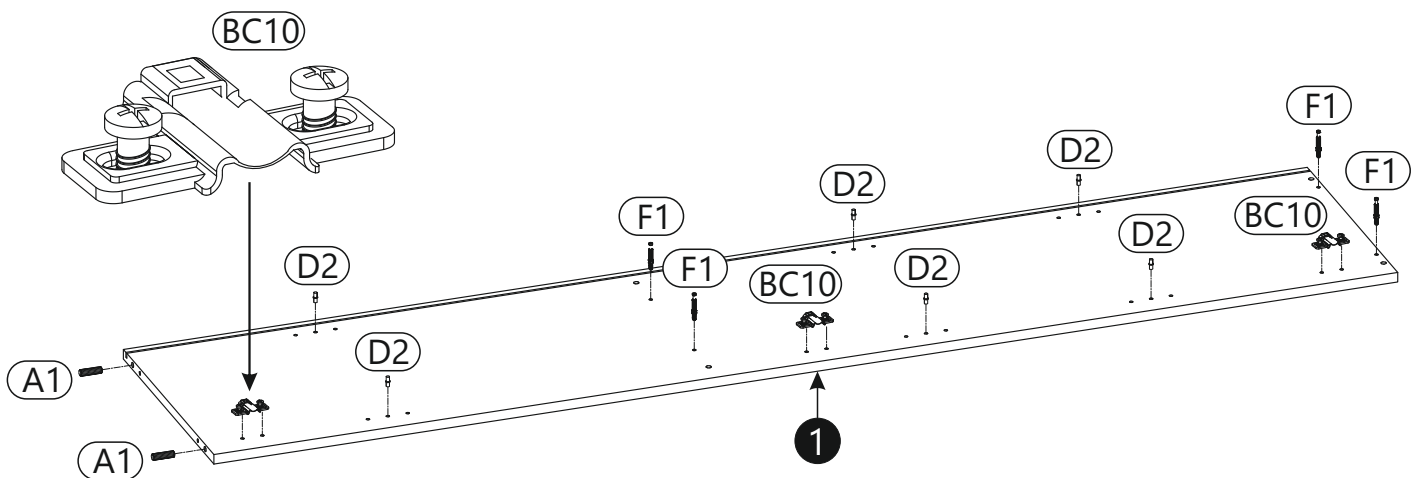
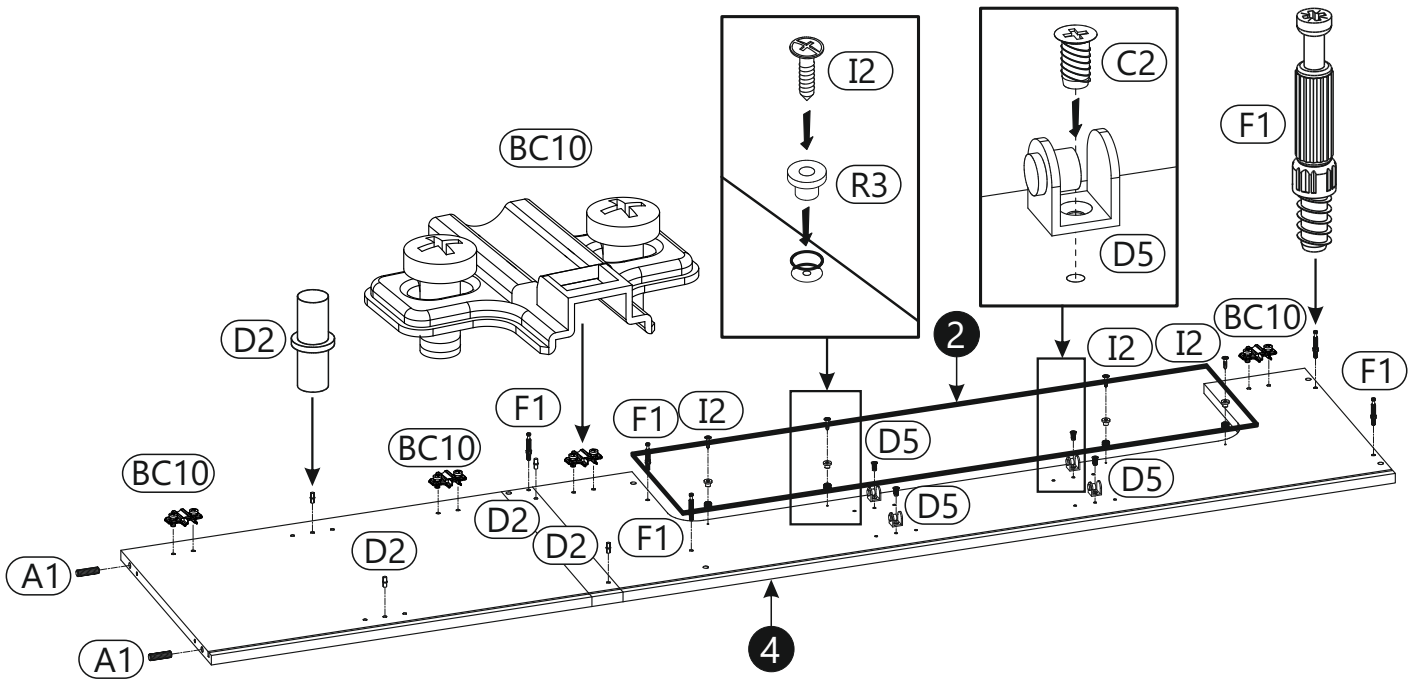
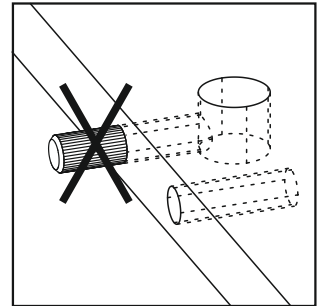
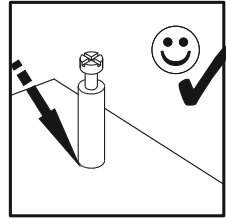
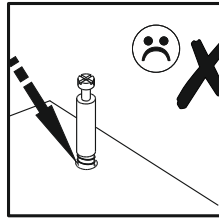


1	1904	400	16	x1	2/2
2	924	224	4	x1	2/2
3	1887	385	16	x1	2/2
4	1904	400	16	x1	2/2
5	607	400	16	x1	1/2
6	217	370	16	x3	1/2
7	376	363	6	x2	1/2
8	373	370	16	x1	1/2
9	217	370	16	x1	1/2
10	373	368	16	x1	1/2
11	373	80	16	x1	1/2
12	373	370	16	x1	1/2
13	640	400	16	x1	1/2
14	394	160	19	x1	1/2
15	980	370	4	x1	2/2
16	394	160	19	x1	1/2
17	394	626	19	x1	1/2
18	238	1916	19	x1	2/2
19	96	80	16	x1	1/2
20	1901	388	3	x1	2/2
21	1901	233	3	x1	2/2

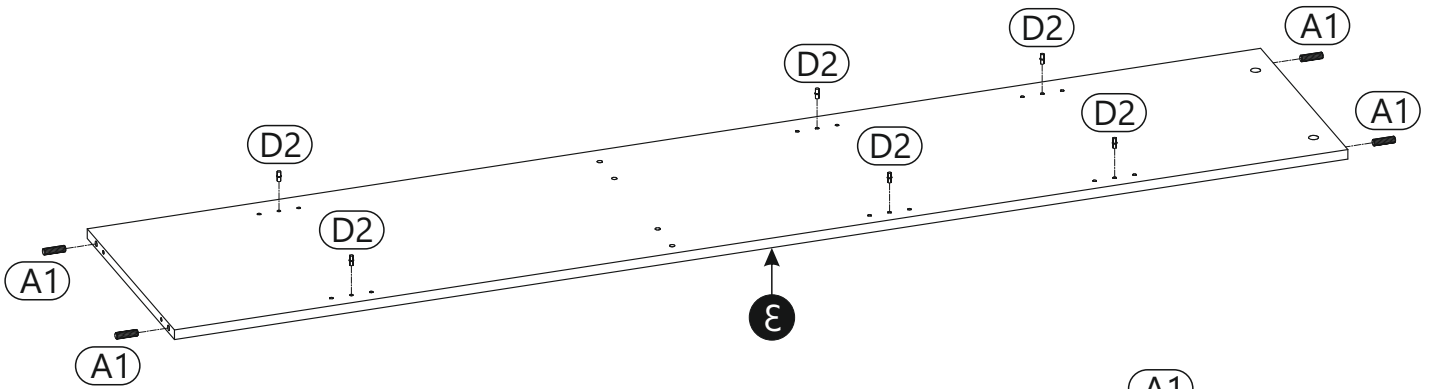




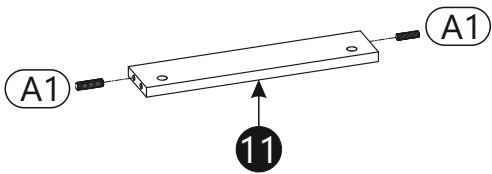
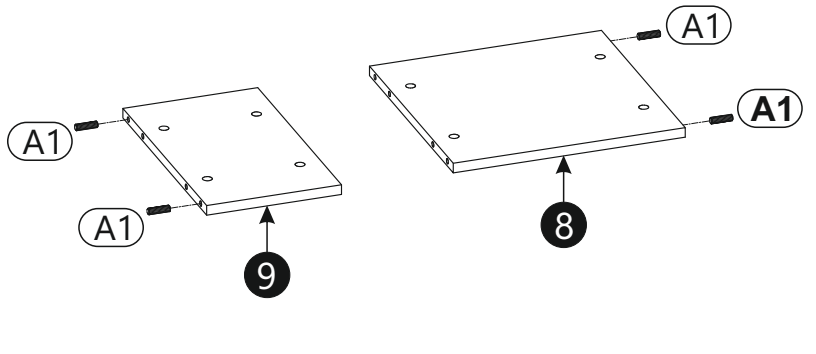
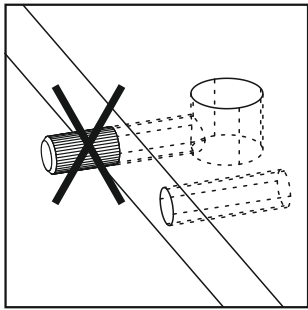
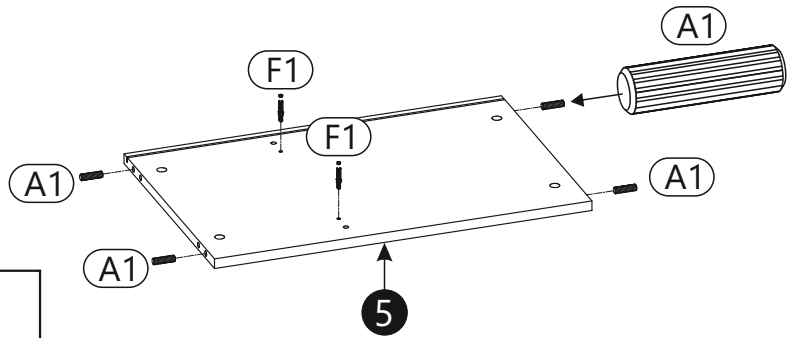
1 ▶



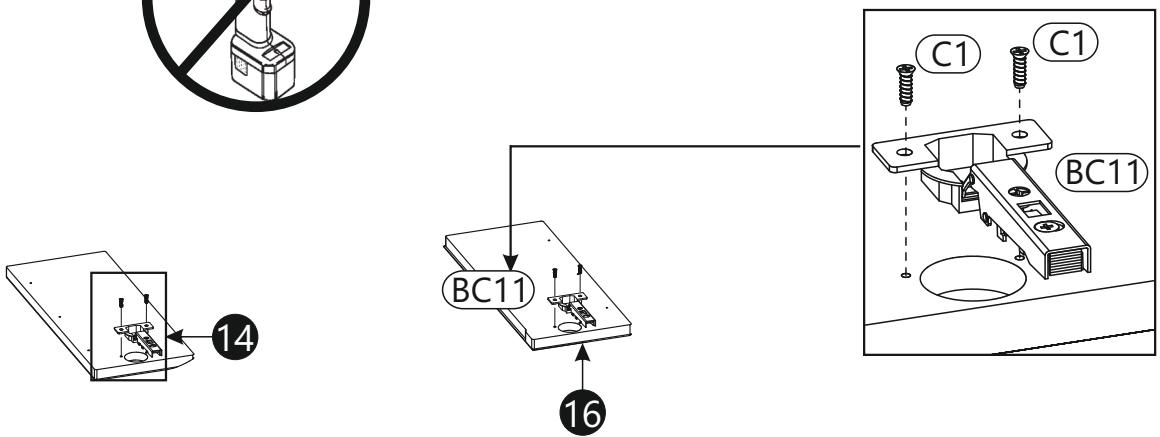
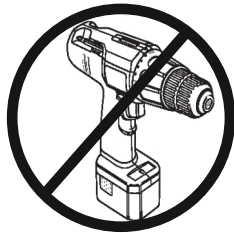
2 ▶



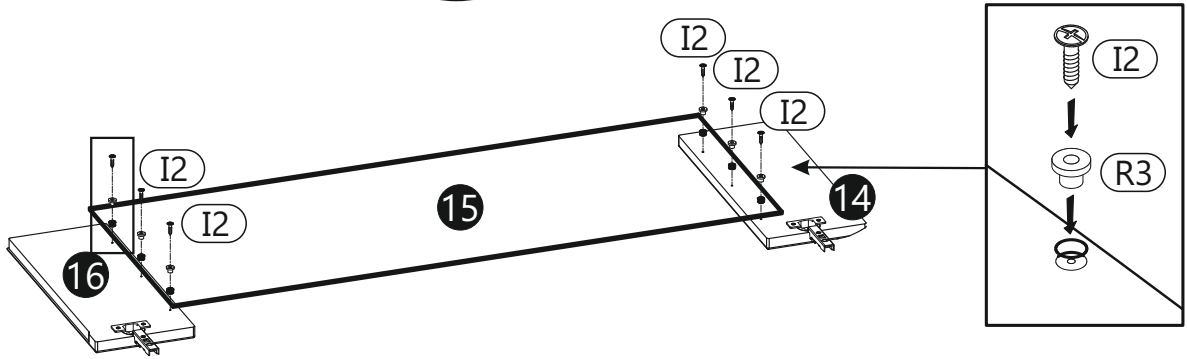
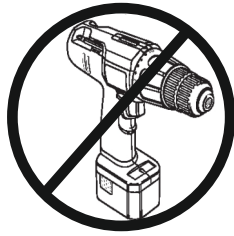
3 ▶



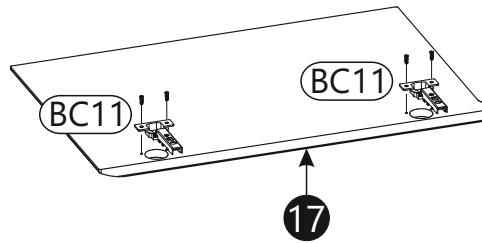
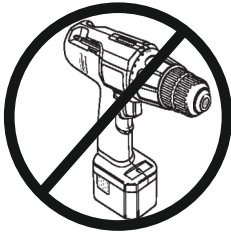
4 ▶



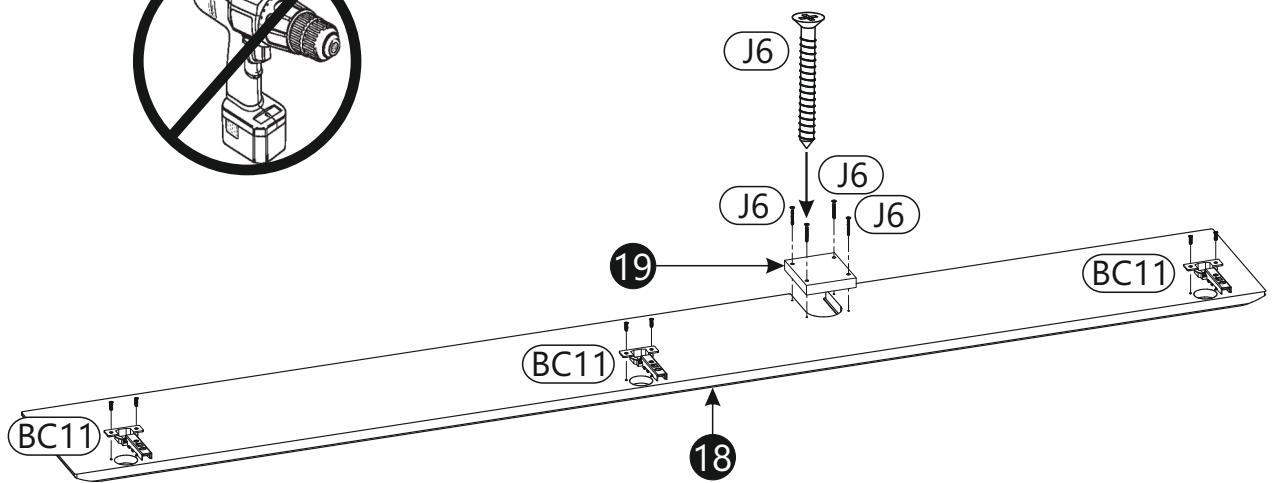
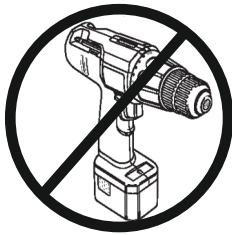
5 ▶



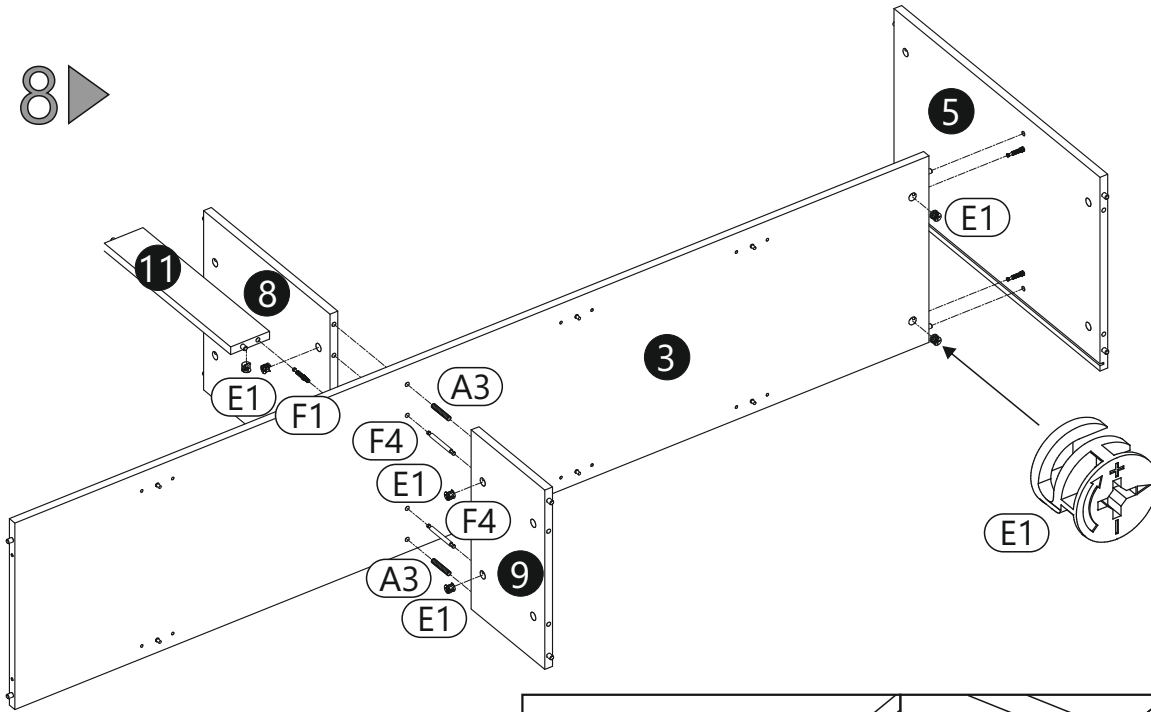
6 ▶



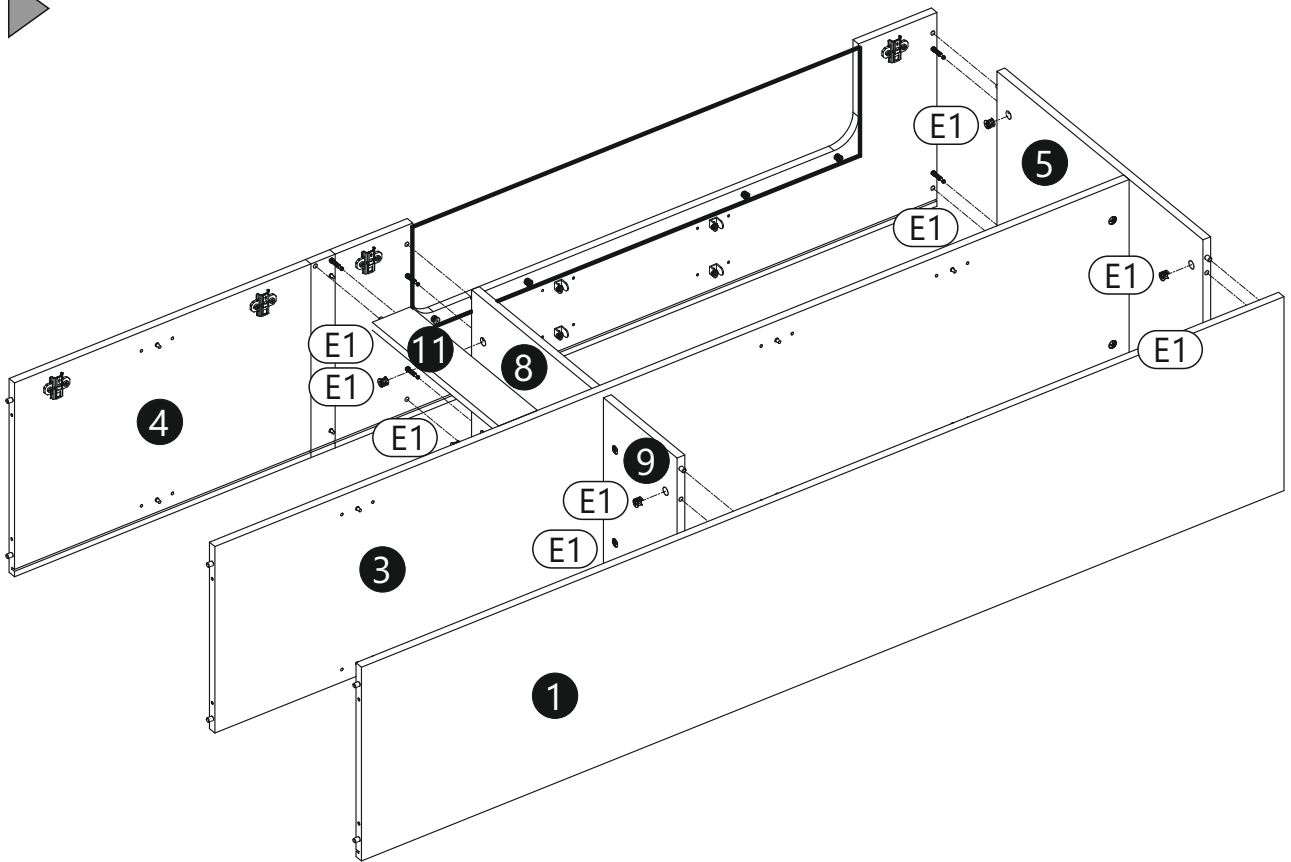
7 ▶



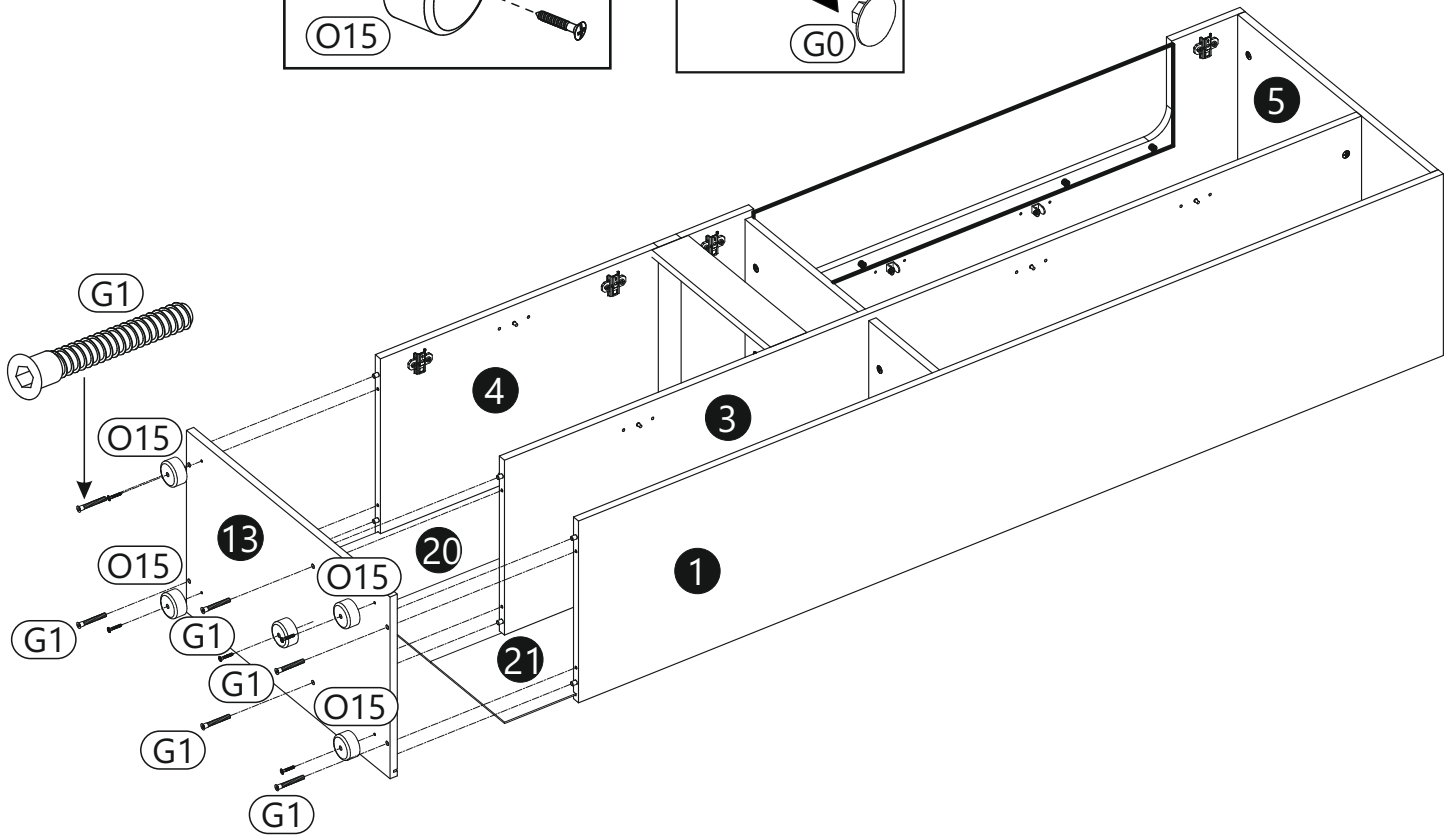
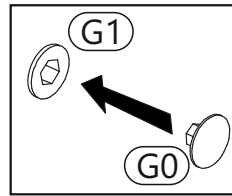
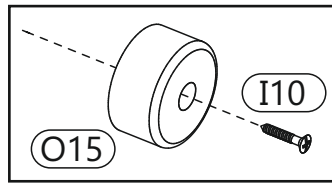
8 ▶



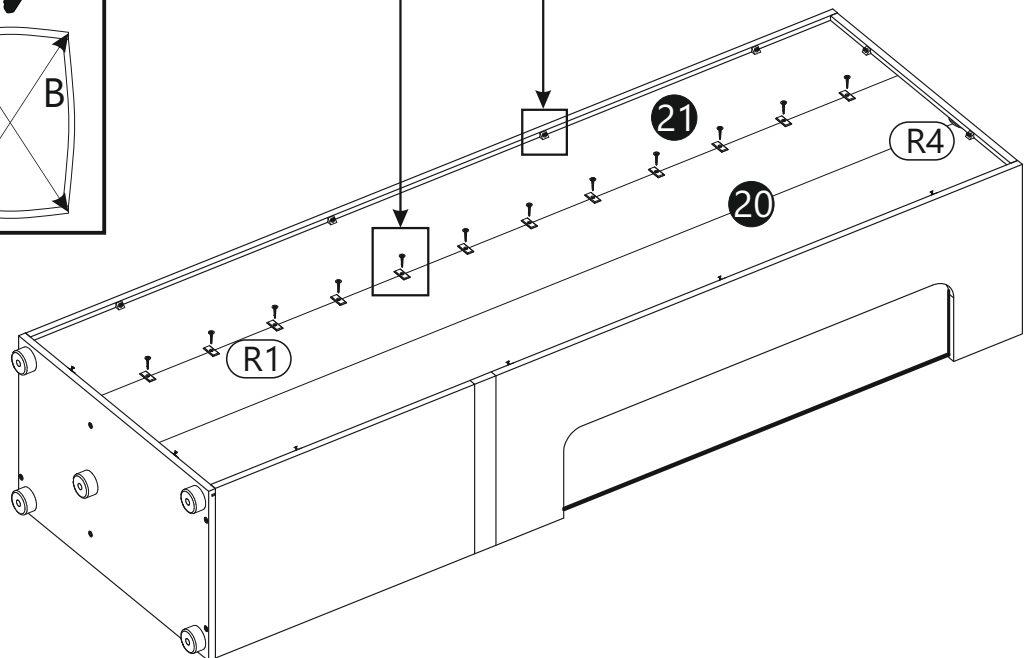
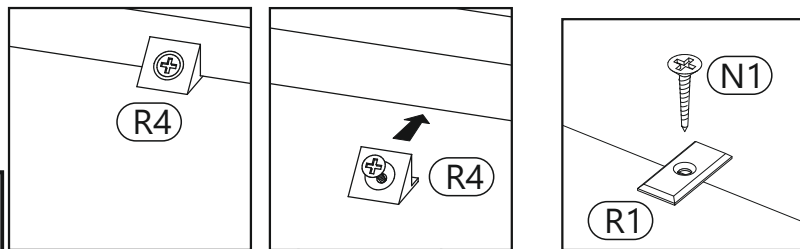
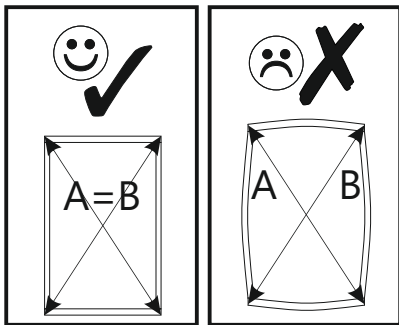
9 ▶



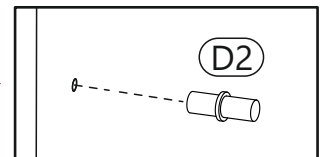
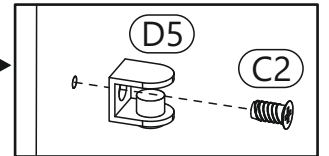
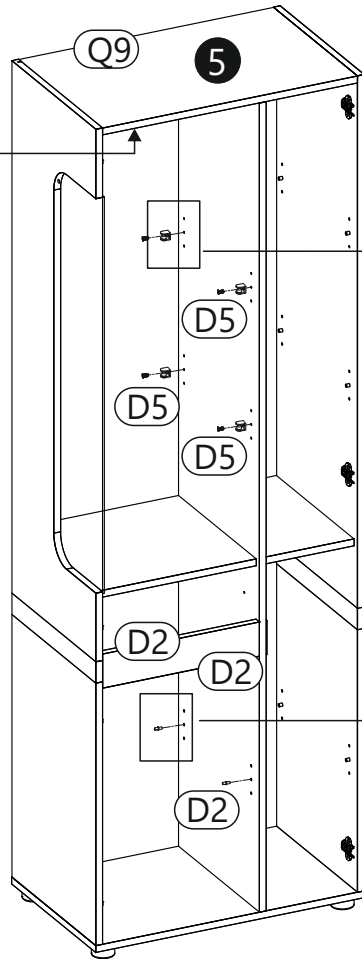
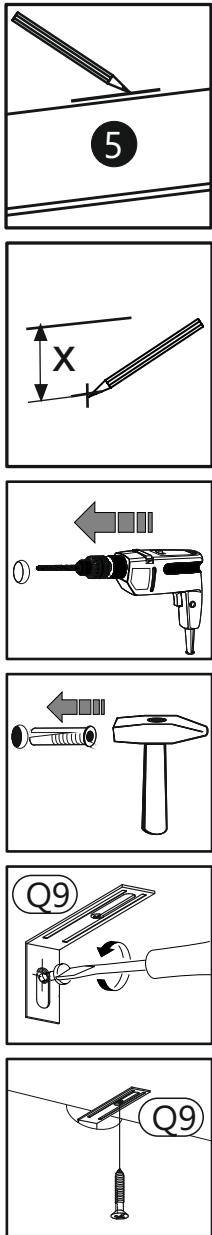
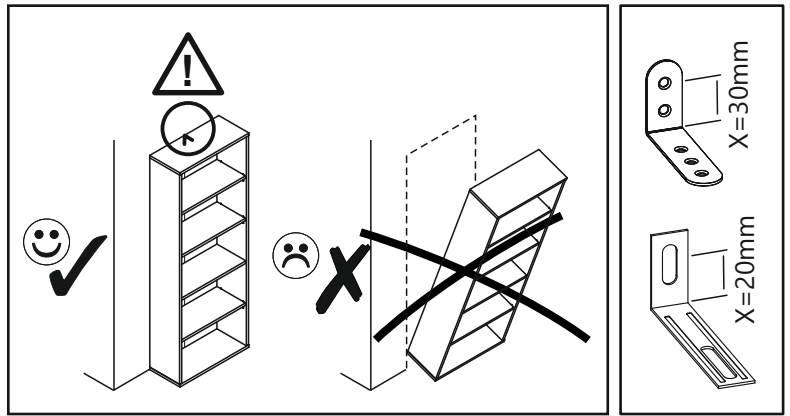
10 ▶

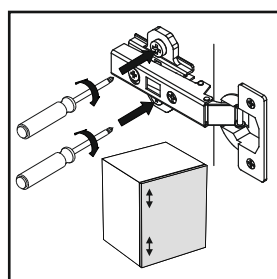
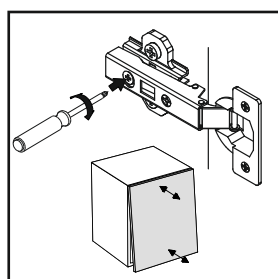
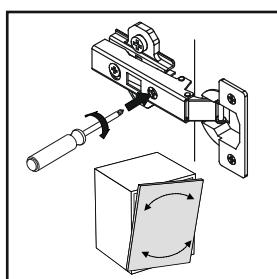
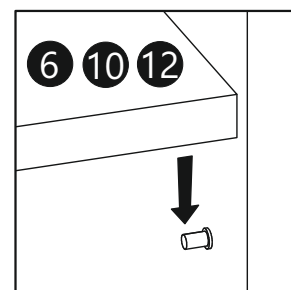
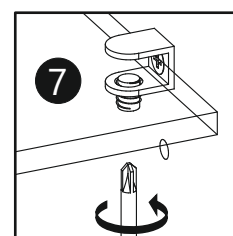
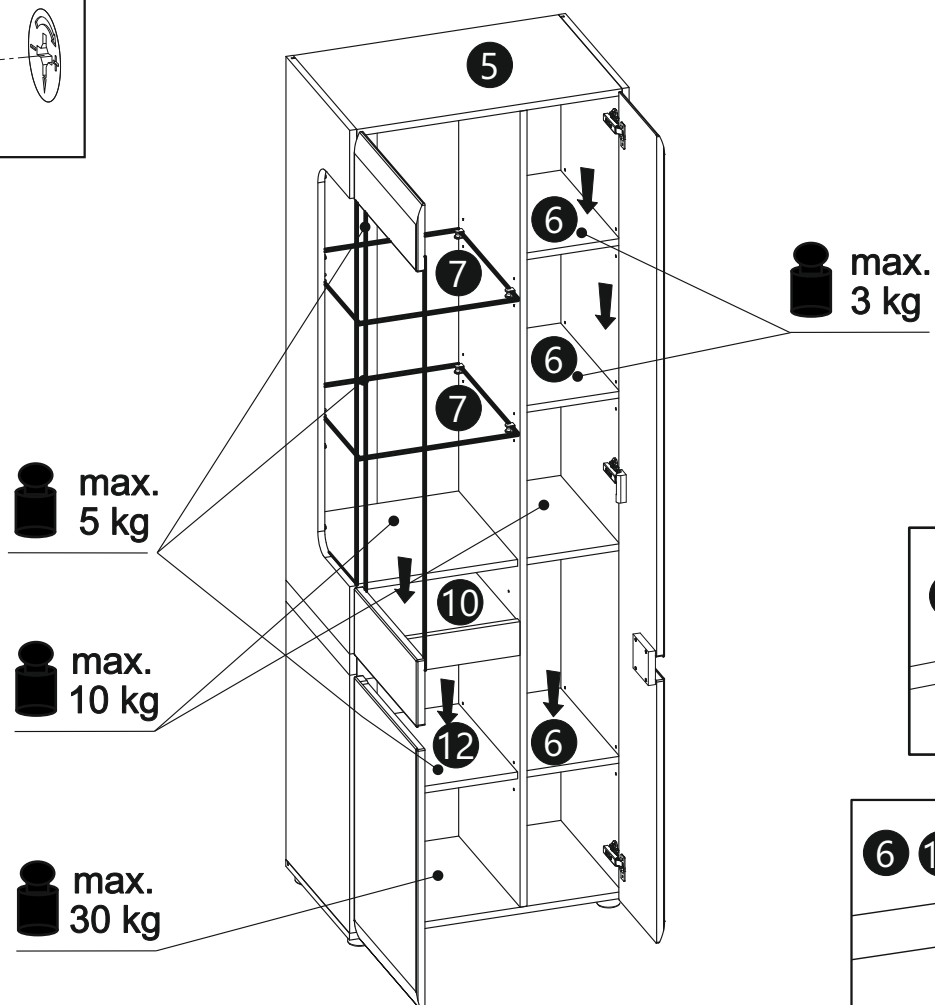
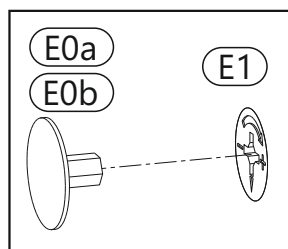
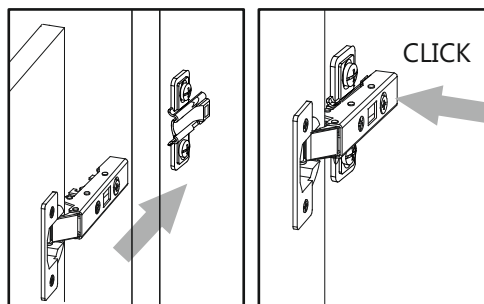


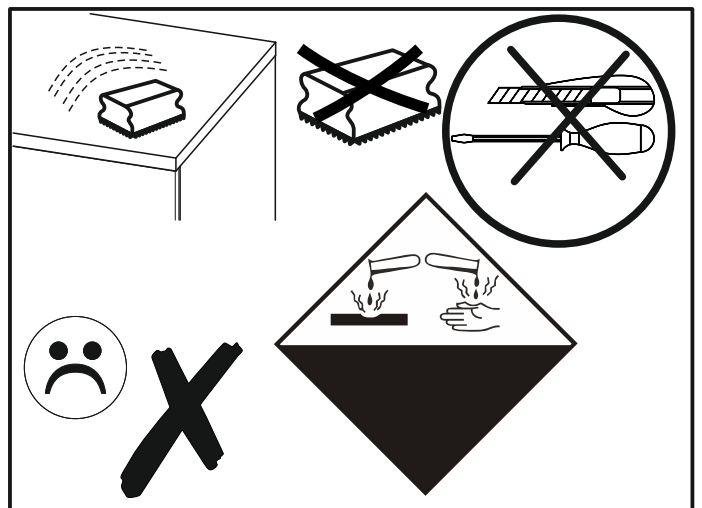
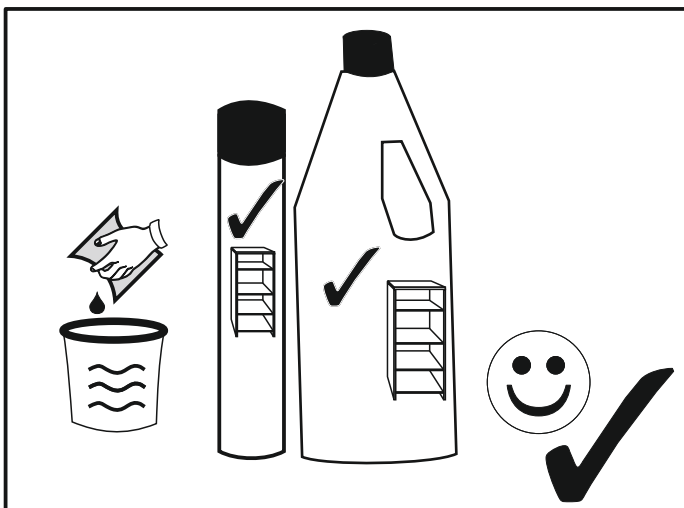
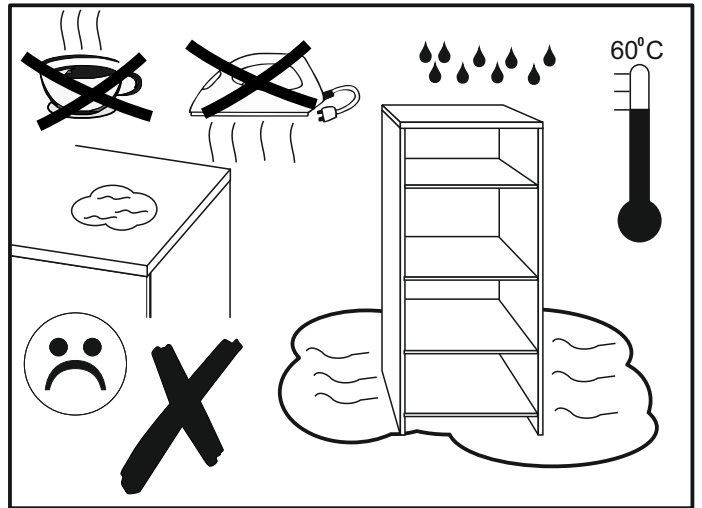
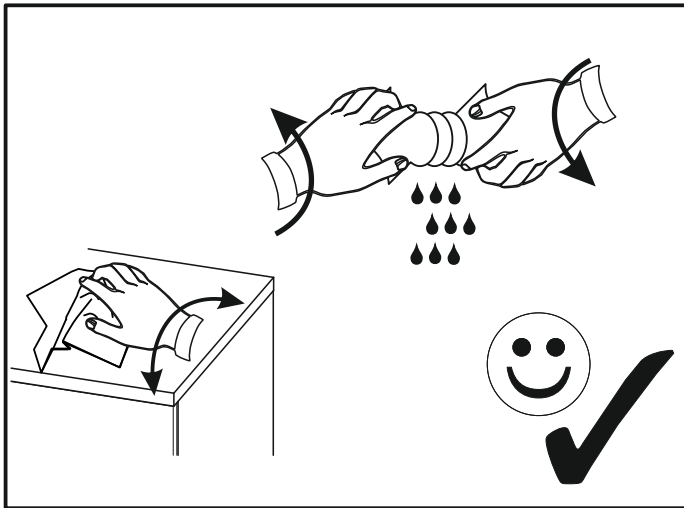
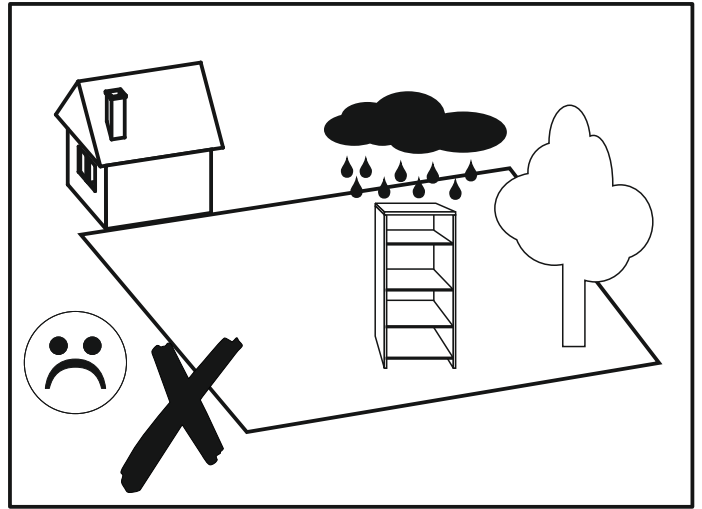
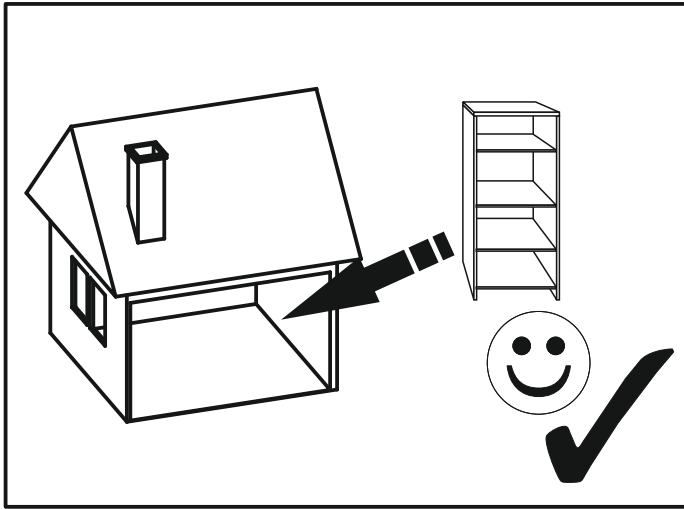
11 ▶

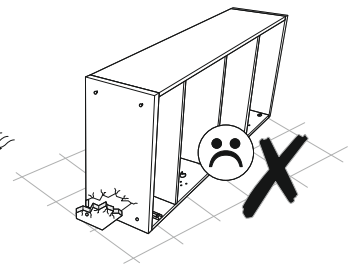
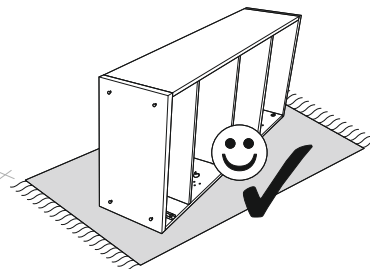
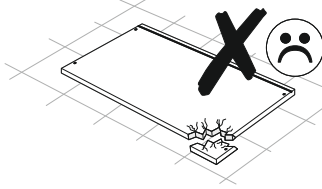
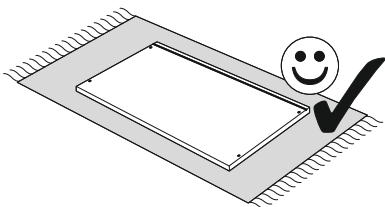
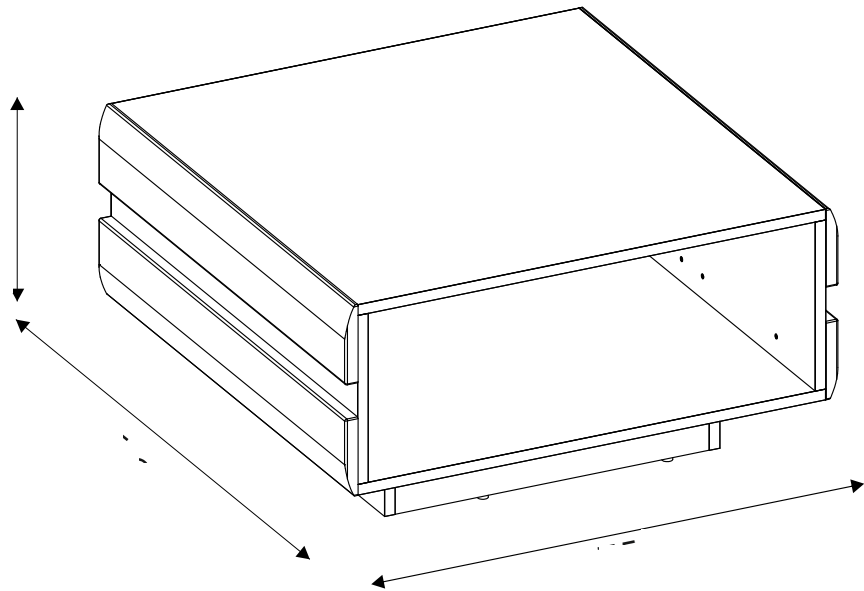
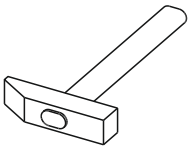
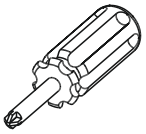
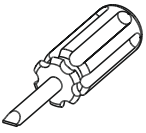
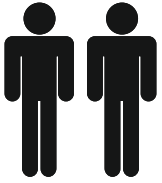


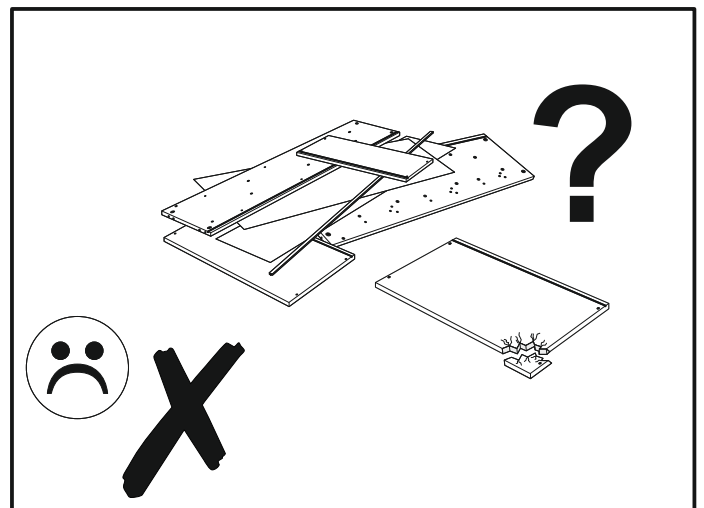
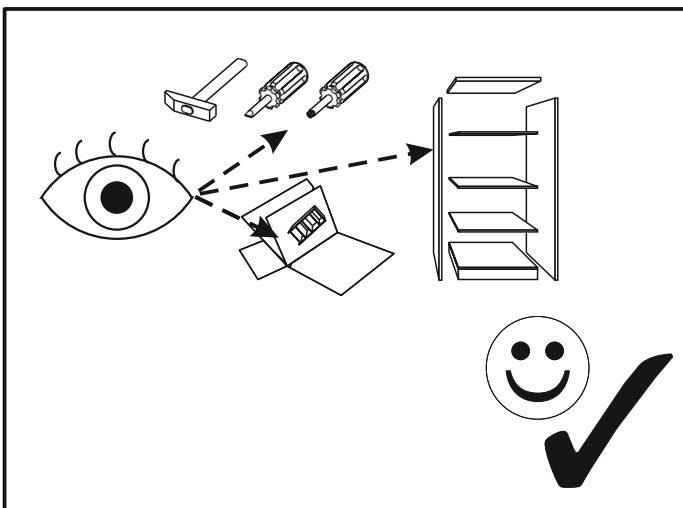
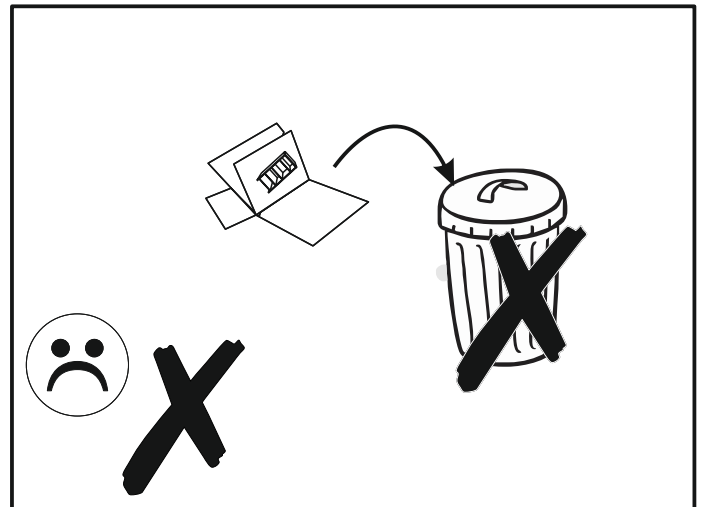
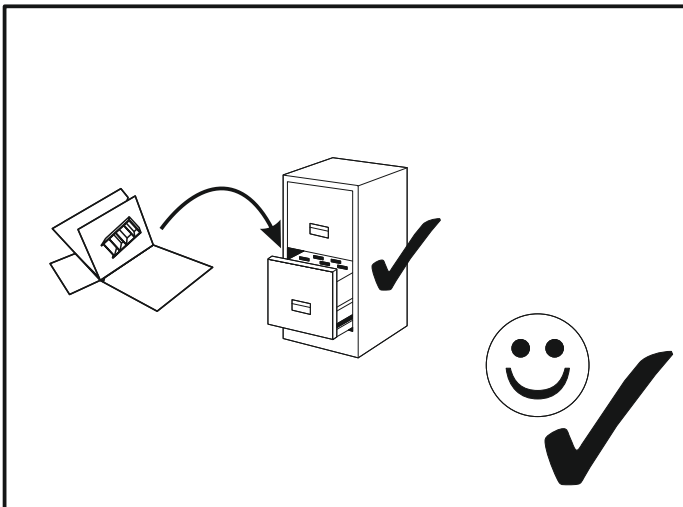
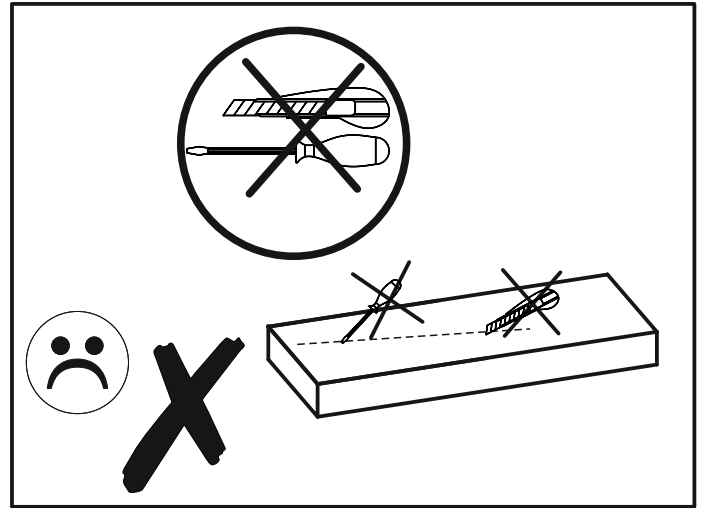
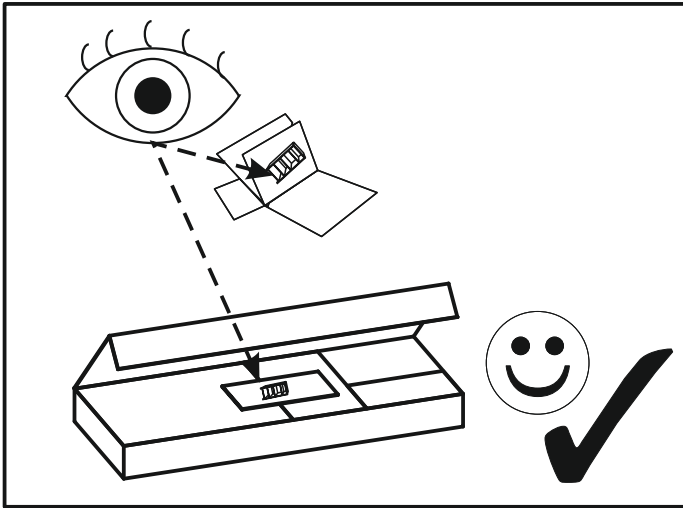
12 ▶

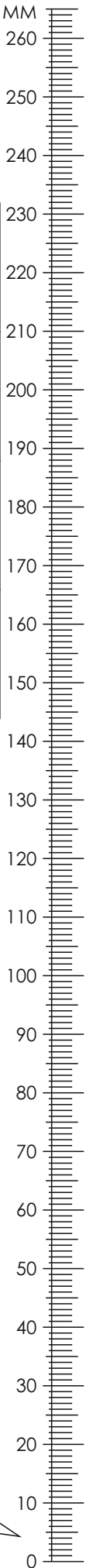


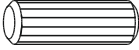
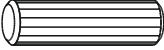
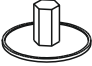




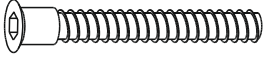

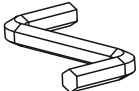

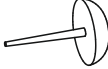
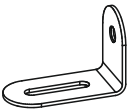


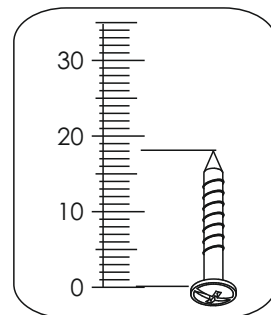


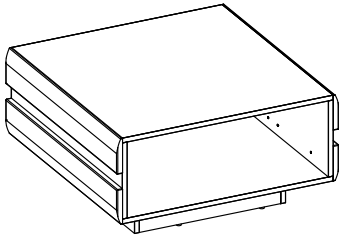




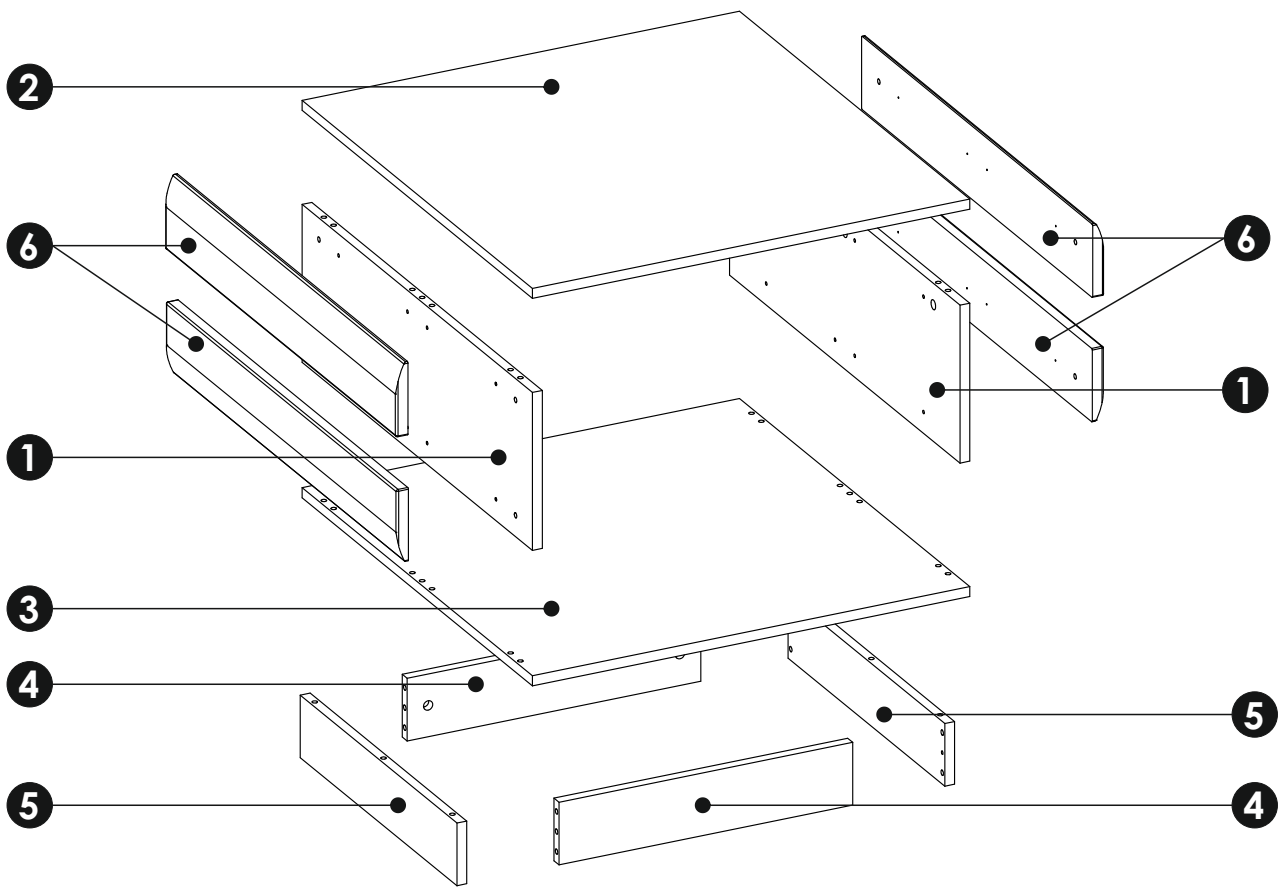


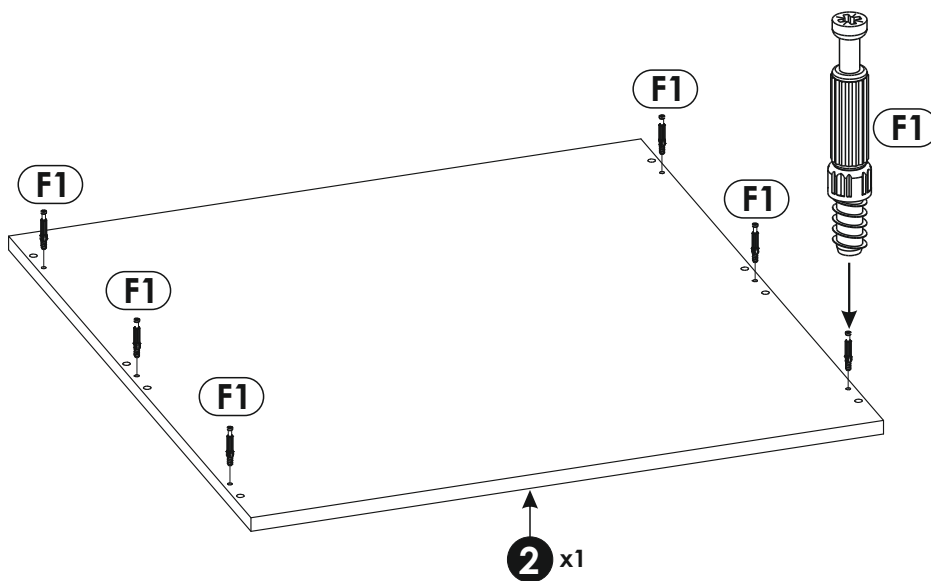
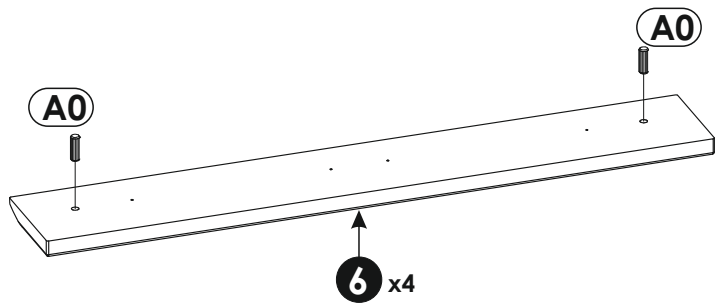
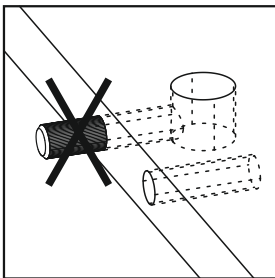
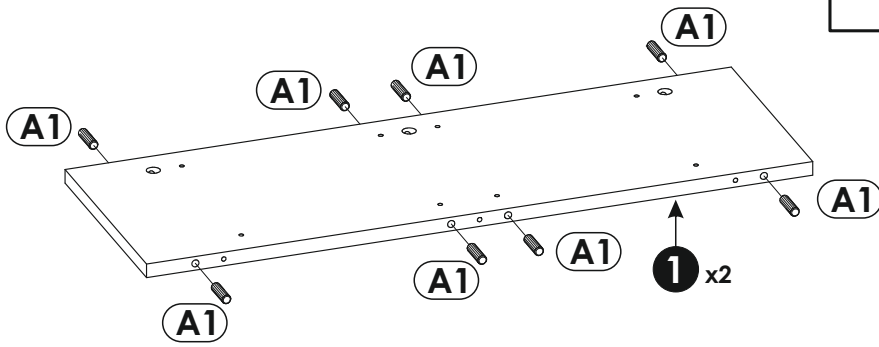
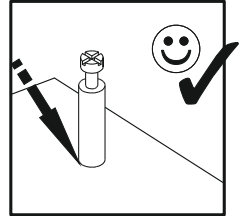
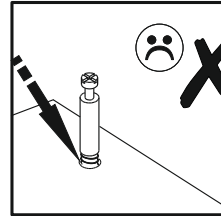
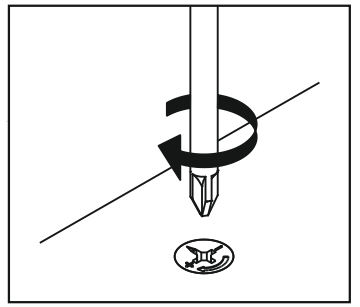
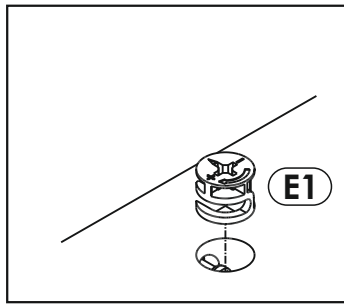
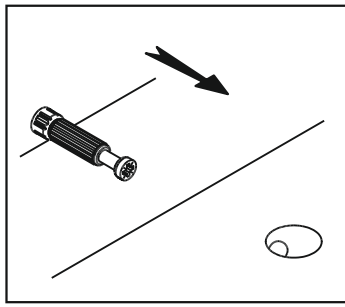
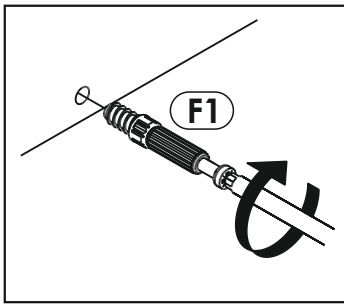
A0 x8 $\phi 8 \times 24$ mm 	A1 x30 $\phi 8 \times 35$ mm 	E0a x4 
E0b x6 	E1 x10 	F1 x10 
G0 x6 	G1 x6 $\phi 7 \times 50$ mm 	J6 x16 4 x 30 mm 
M x1 	N2 x8 3,5 x 16 mm 	O2 x8 
Q x4 		



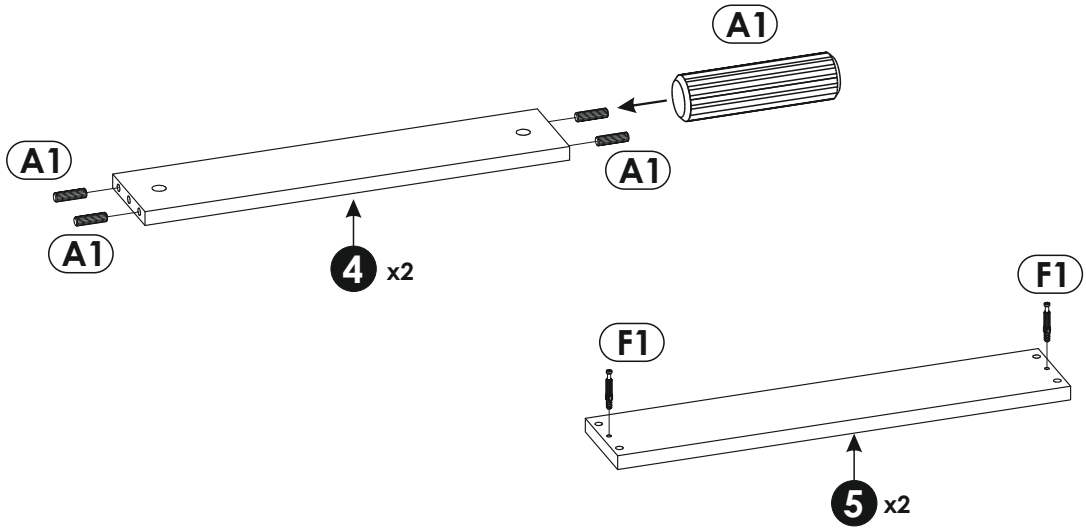


1	750	252	16	x2	1/1
2	750	712	16	x1	1/1
3	750	712	16	x1	1/1
4	478	100	16	x2	1/1
5	510	100	16	x2	1/1
6	752	117	19	x4	1/1

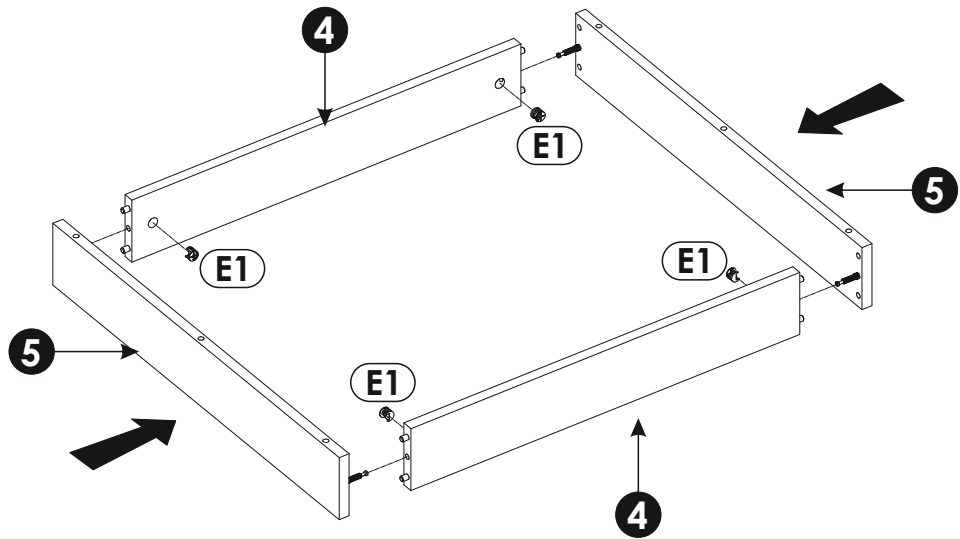




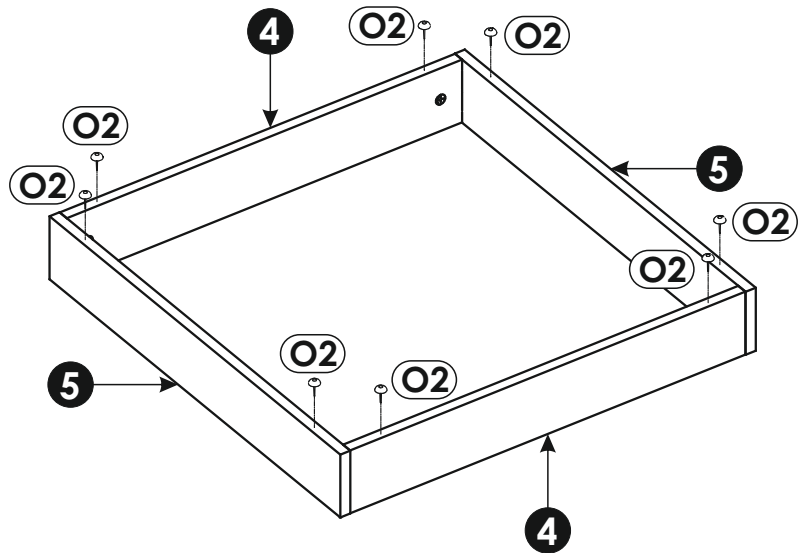
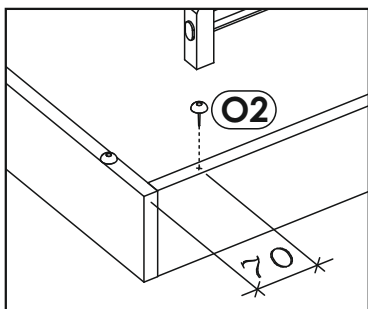
2 ▶



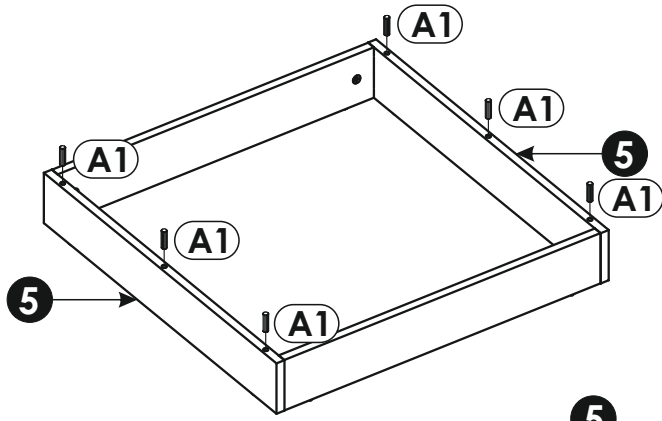
3



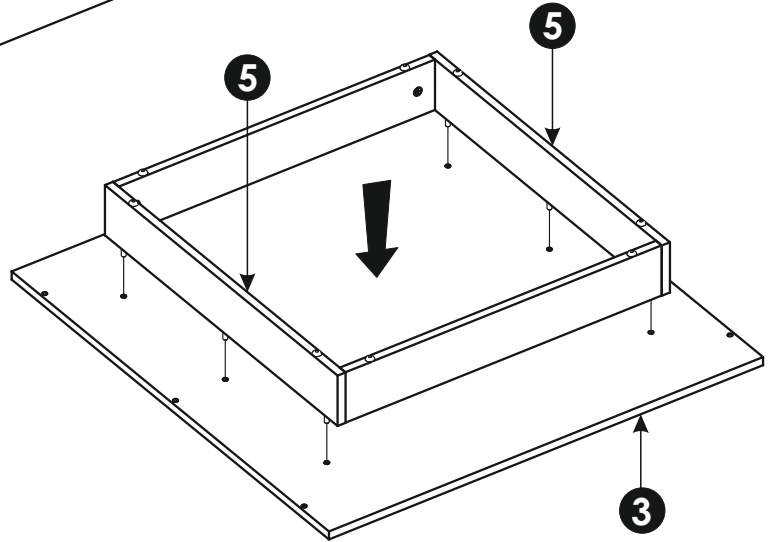
4 ▶



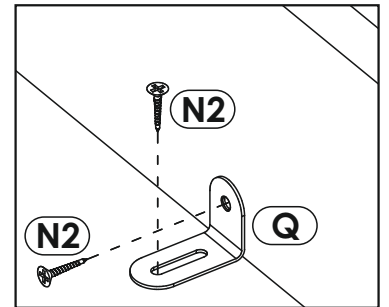
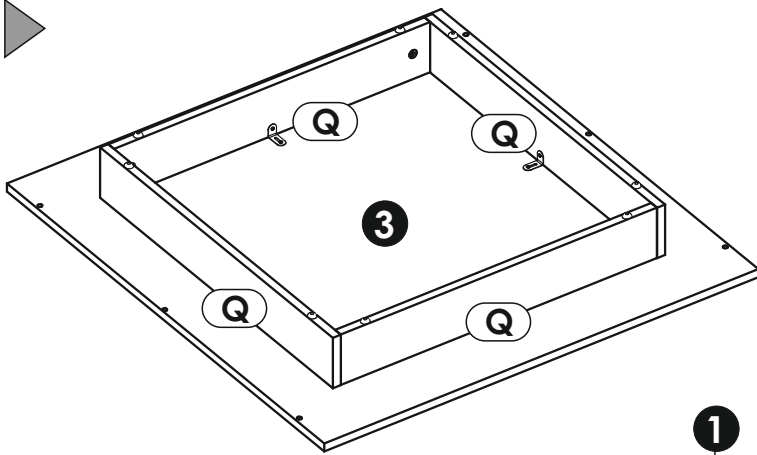
5 ▶



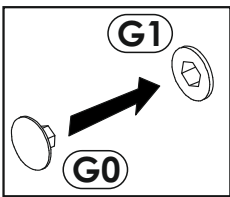
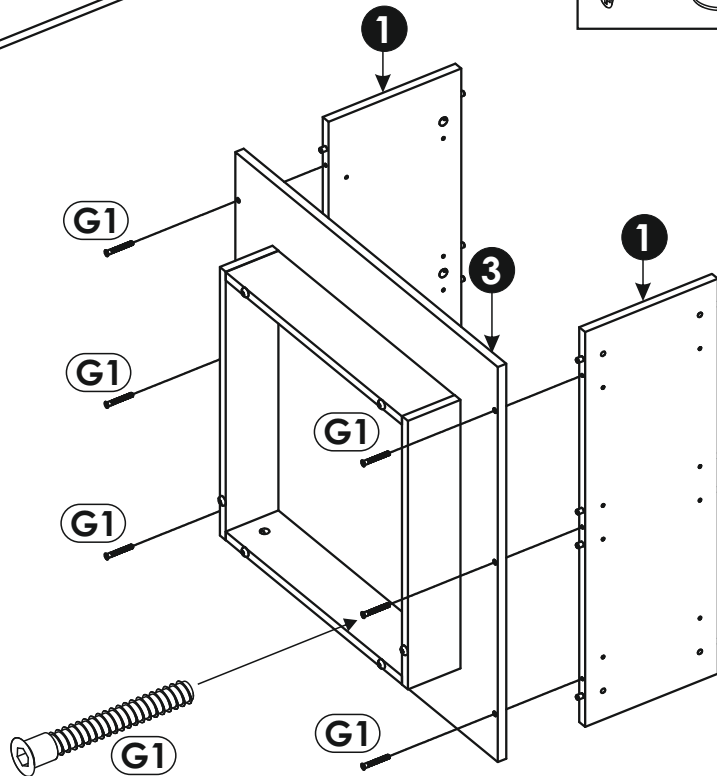
6 ▶



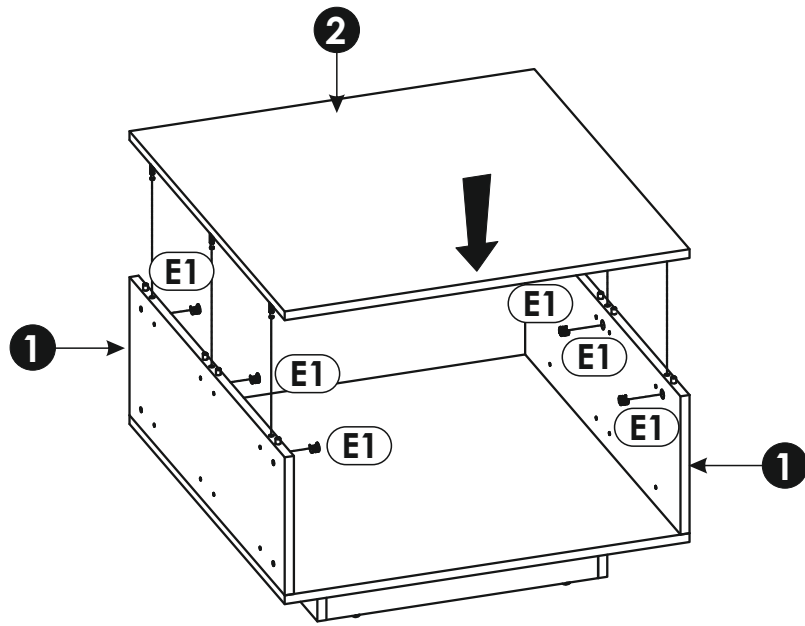
7 ▶



8 ▶



9 ▶



10 ▶

