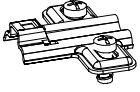
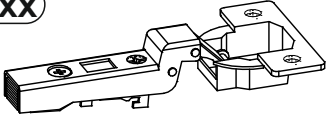




BCxx



BCxx



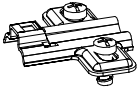
BCxx + BCxx



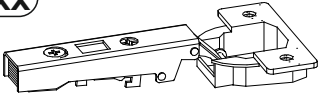
BCxx



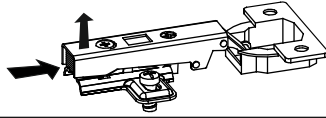
BCxx



BCxx



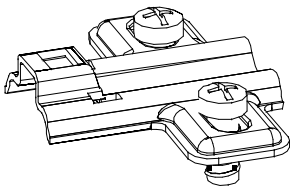
BCxx + BCxx



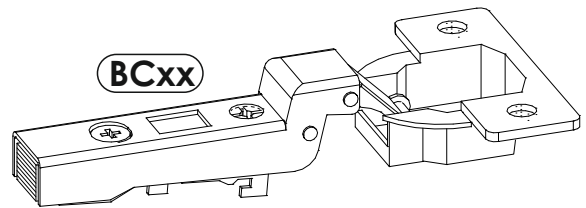
BCxx



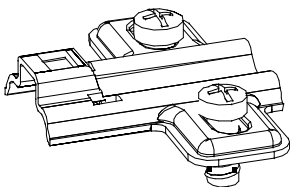
BCxx



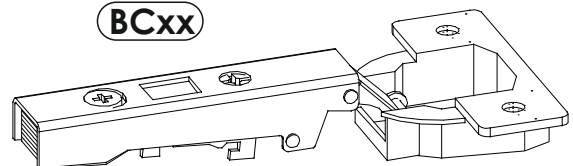
BCxx


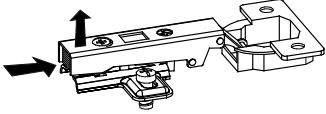
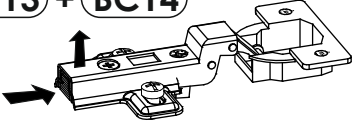







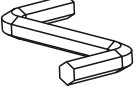

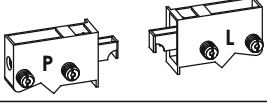

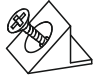


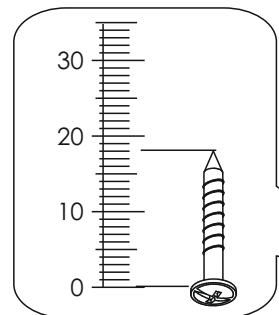
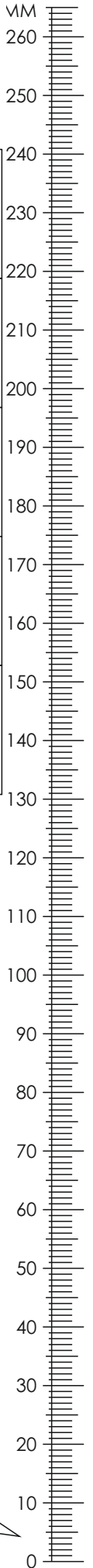
BCxx

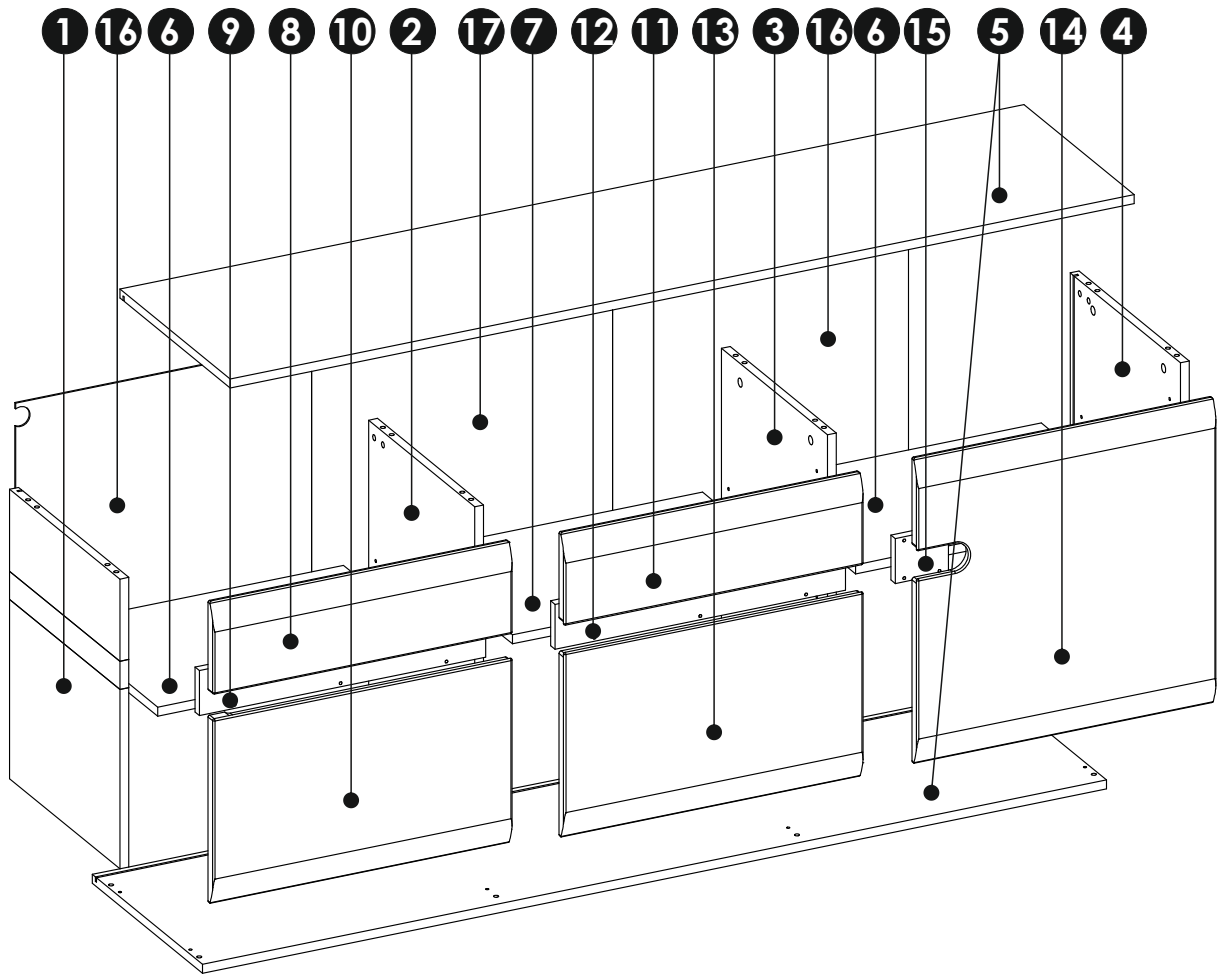
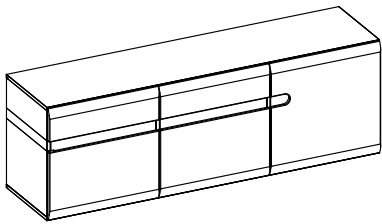


BCxx



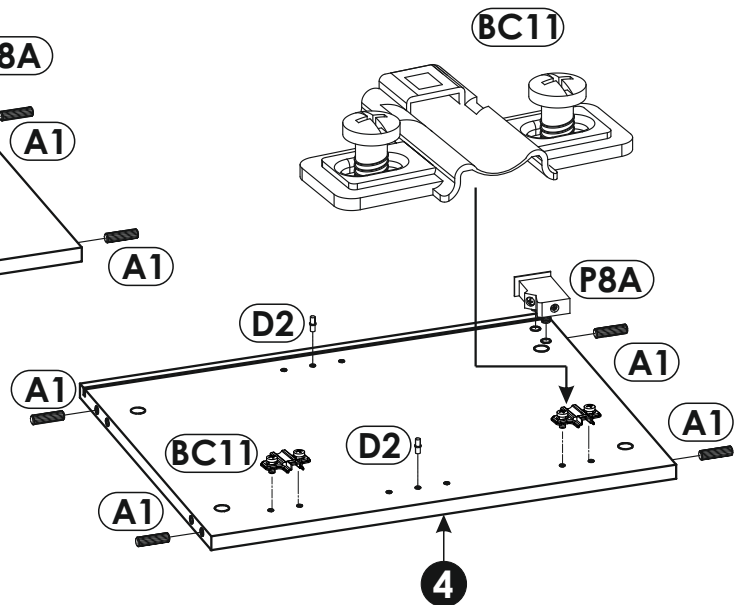
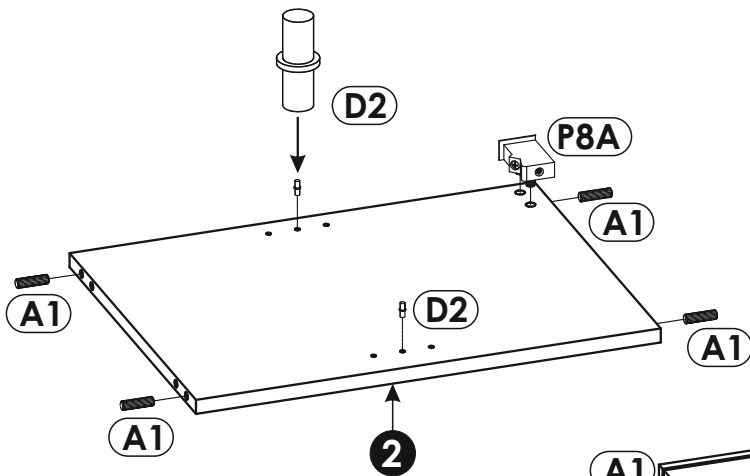
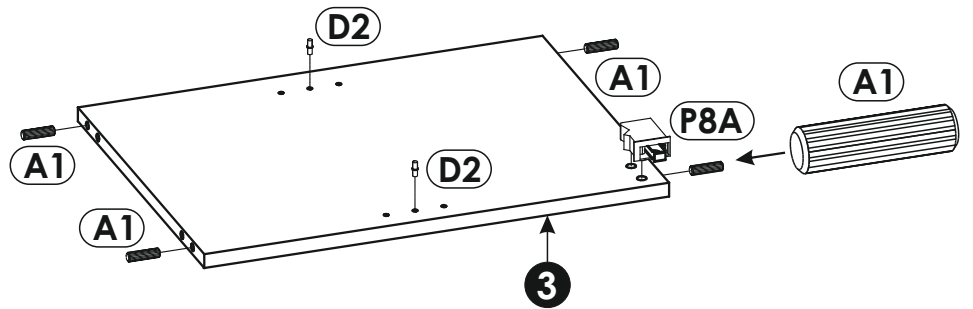
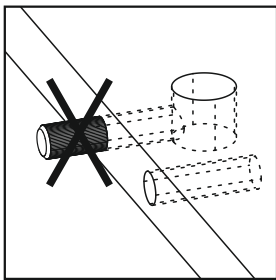
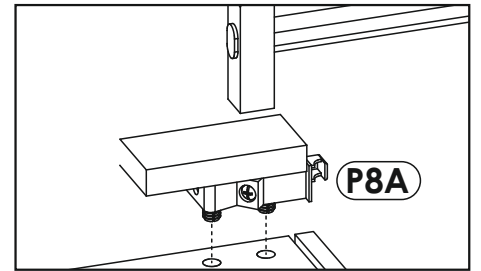
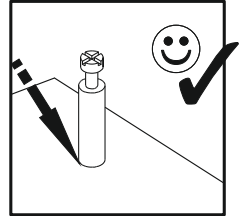
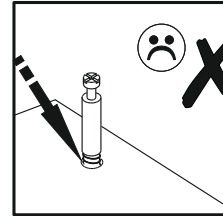
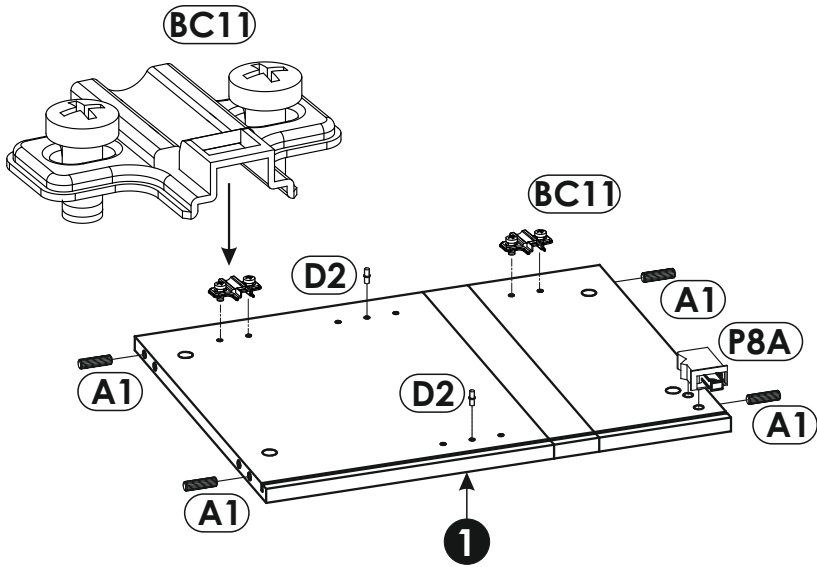
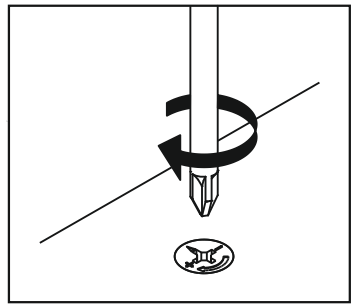
<p><b>A1</b> x16 <math>\phi 8 \times 35</math> mm</p> 	<p><b>BC11</b> + <b>BC12</b> x4</p> 	<p><b>BC13</b> + <b>BC14</b> x2</p> 
<p><b>C1</b> x12 4 x 13 mm</p> 	<p><b>D2</b> x12</p> 	<p><b>E0a</b> x8</p> 
<p><b>E0b</b> x8</p> 	<p><b>E1</b> x16</p> 	<p><b>F1</b> x16</p> 
<p><b>J6</b> x16 4 x 30 mm</p> 	<p><b>M</b> x1</p> 	<p><b>N1</b> x10 3 x 16 mm</p> 
<p><b>P8A</b> x2</p> 	<p><b>R1</b> x6</p> 	<p><b>R4</b> x14</p> 



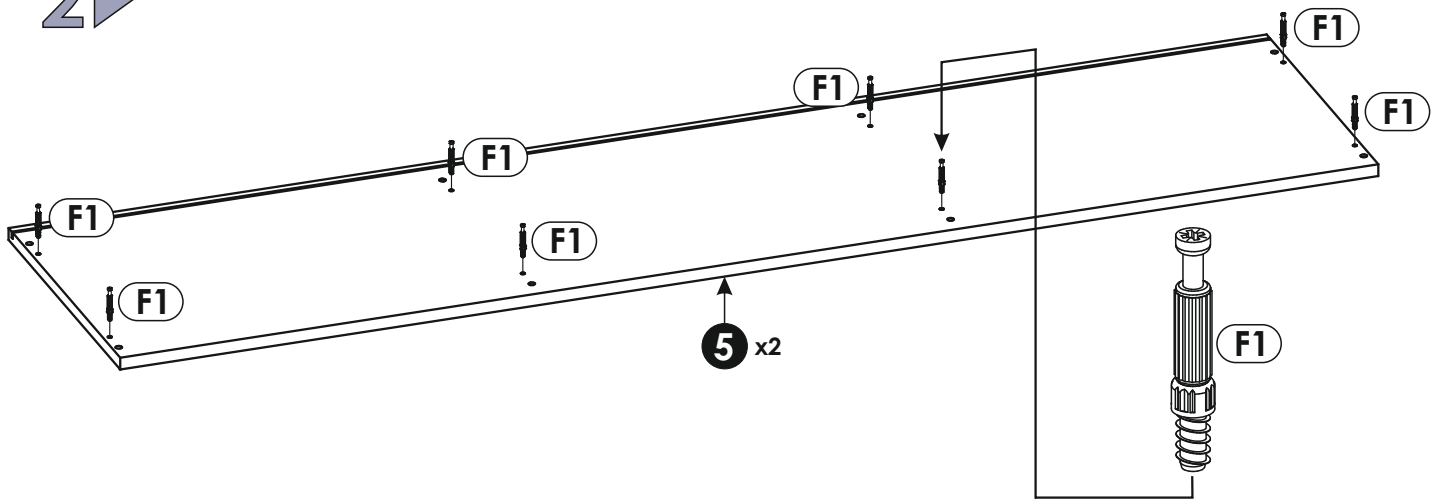


<b>1</b>	515	400	16	x1	2/2
<b>2</b>	515	385	16	x1	2/2
<b>3</b>	515	385	16	x1	2/2
<b>4</b>	515	400	16	x1	2/2
<b>5</b>	1640	400	16	x2	2/2
<b>6</b>	522	370	16	x2	1/2
<b>7</b>	530	370	16	x1	1/2
<b>8</b>	543	160	19	x1	1/2
<b>9</b>	519	80	16	x1	1/2

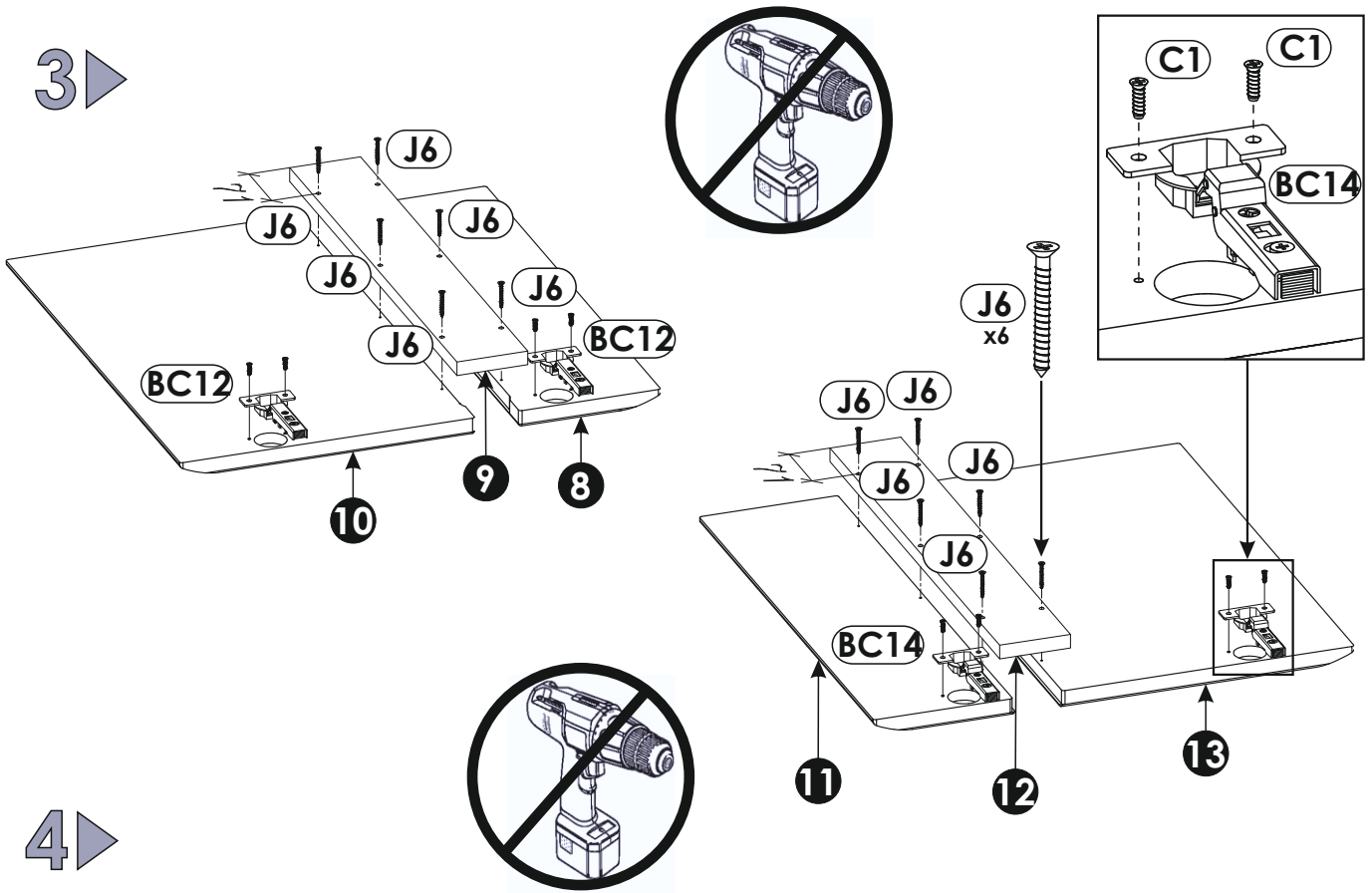
<b>10</b>	543	333	19	x1	1/2
<b>11</b>	543	160	19	x1	1/2
<b>12</b>	527	80	16	x1	1/2
<b>13</b>	543	333	19	x1	1/2
<b>14</b>	543	543	19	x1	1/2
<b>15</b>	96	80	16	x1	1/2
<b>16</b>	529	537	3	x2	1/2
<b>17</b>	529	546	3	x1	1/2



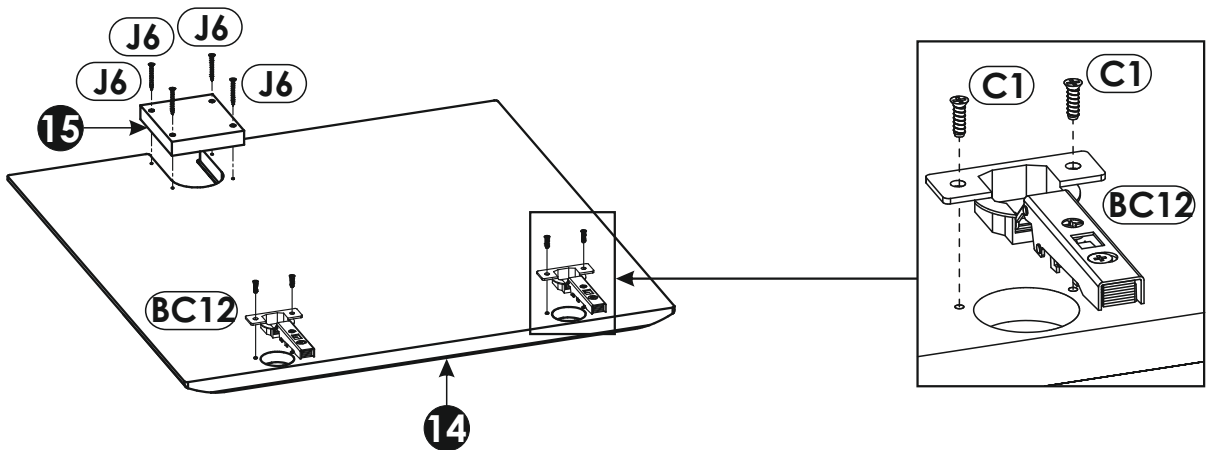
2 ▶



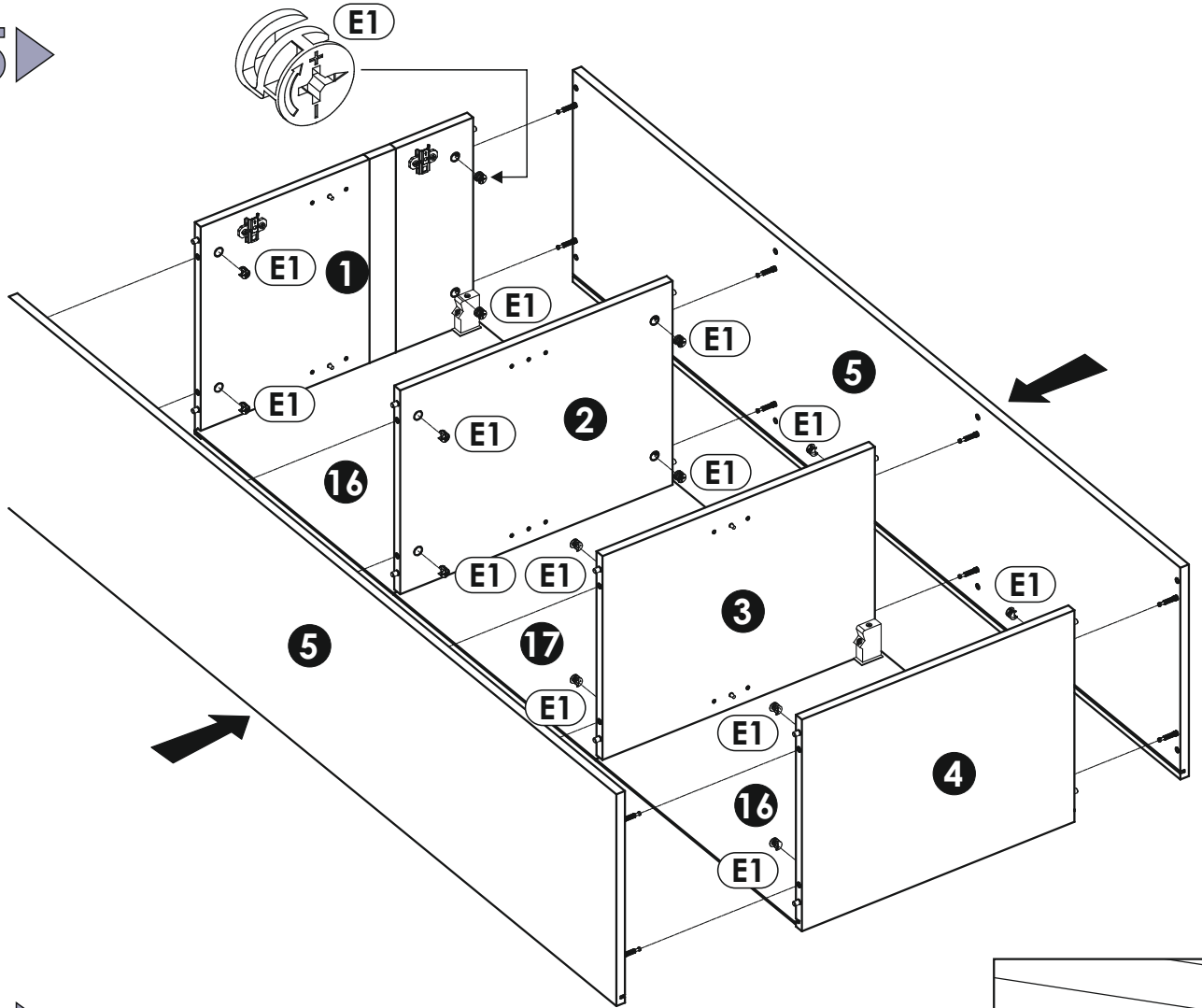
3 ▶



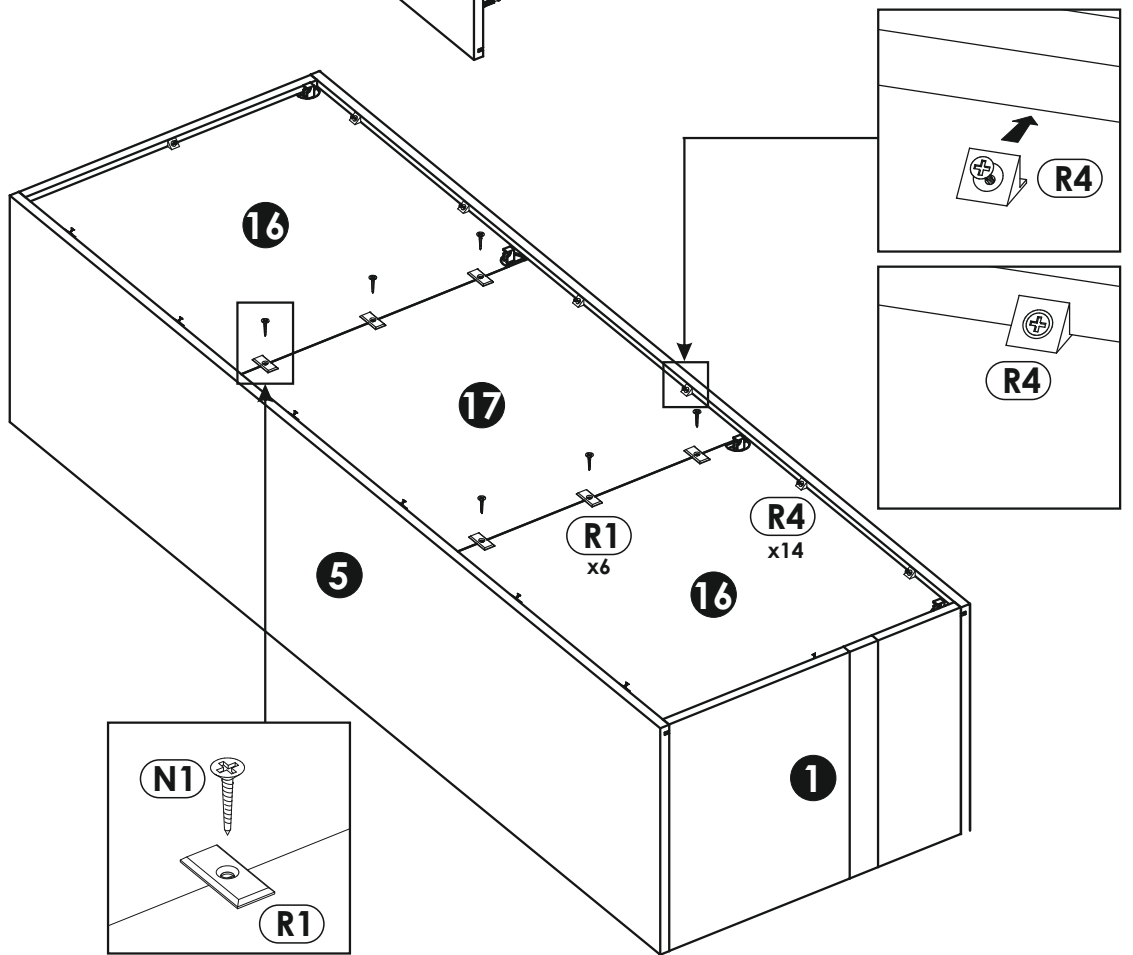
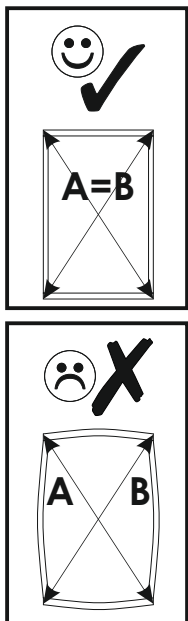
4 ▶



5 ▶

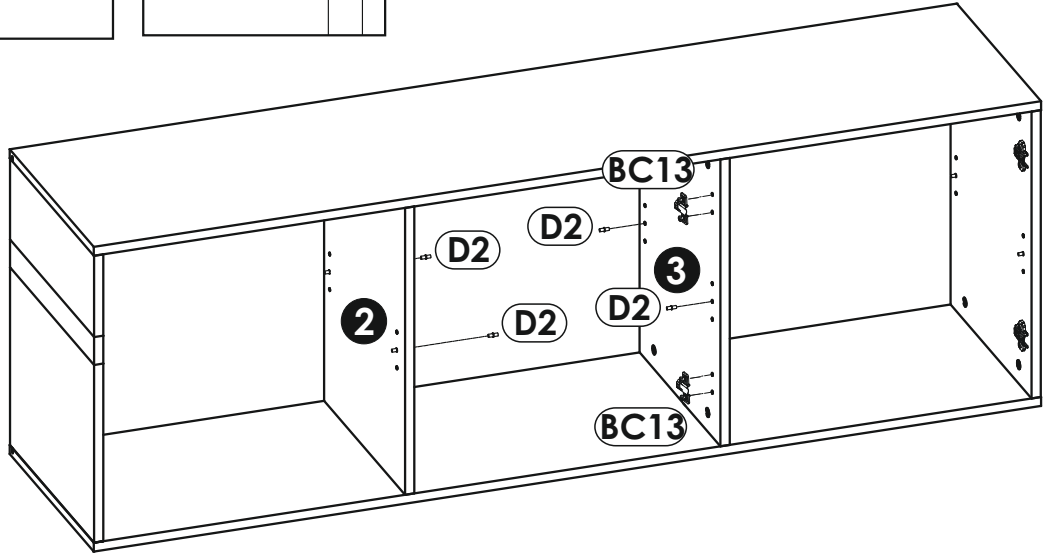
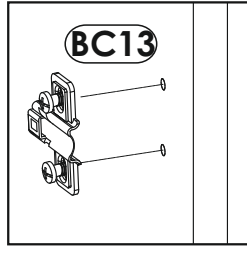
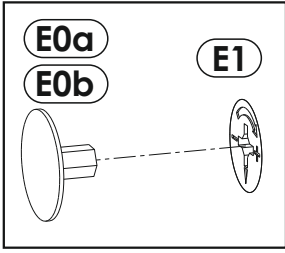


6 ▶





7 ▶



8 ▶

