

MM

260

250

240

230

220

210

200

190

180

170

160

150

140

130

120

110

100

90

80

70

60

50


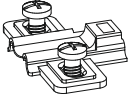
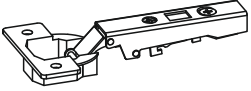



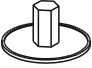
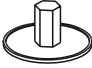








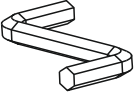

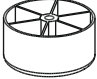


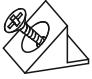
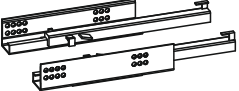
40

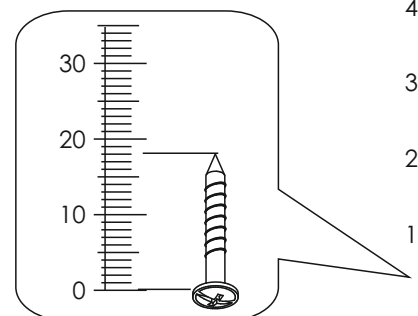
30

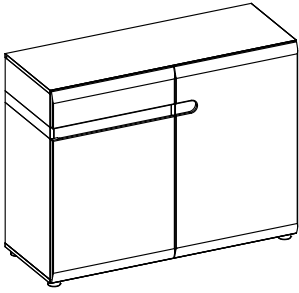
20

10

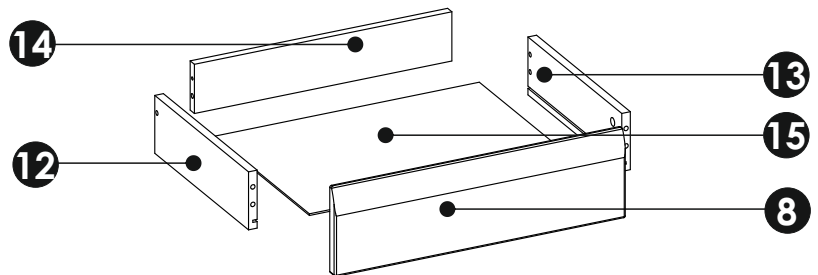
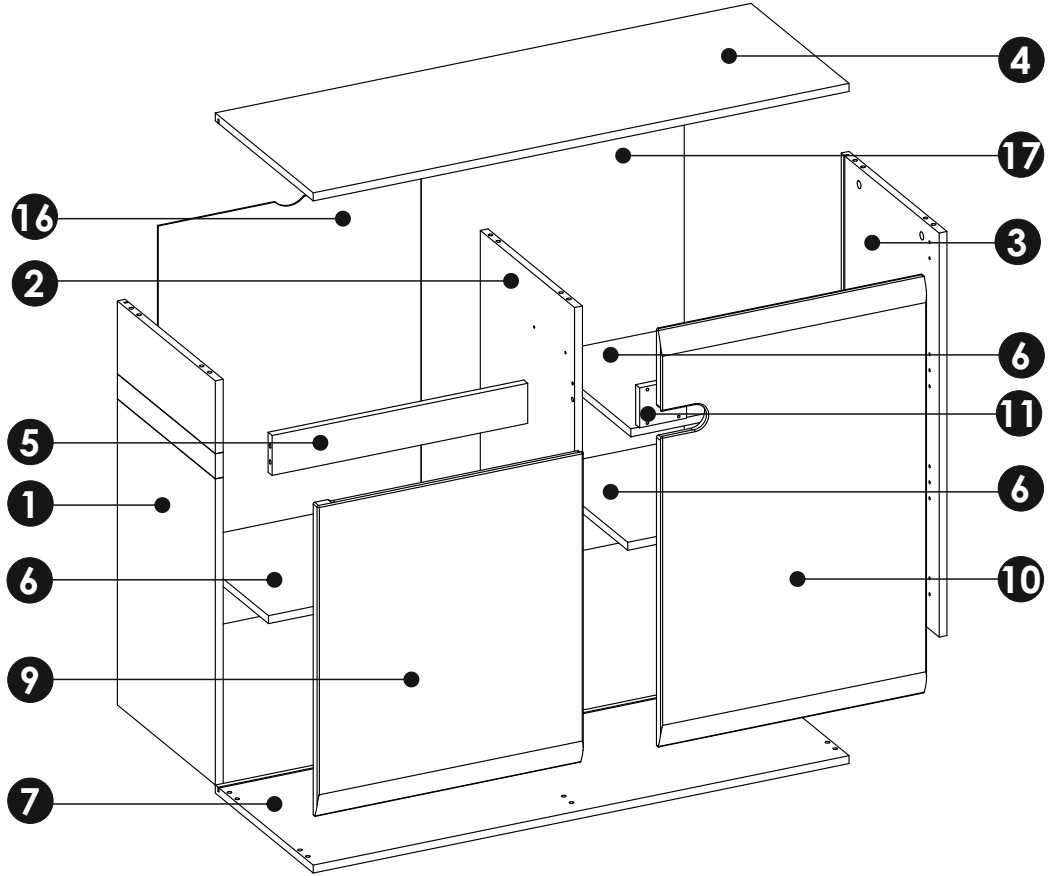
0

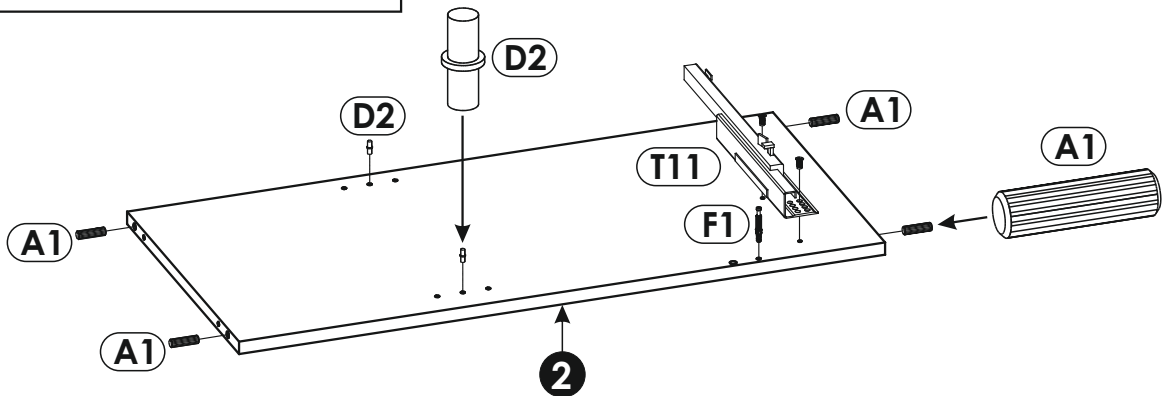
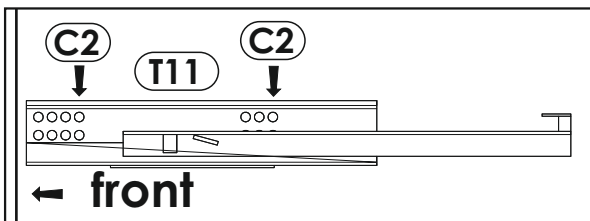
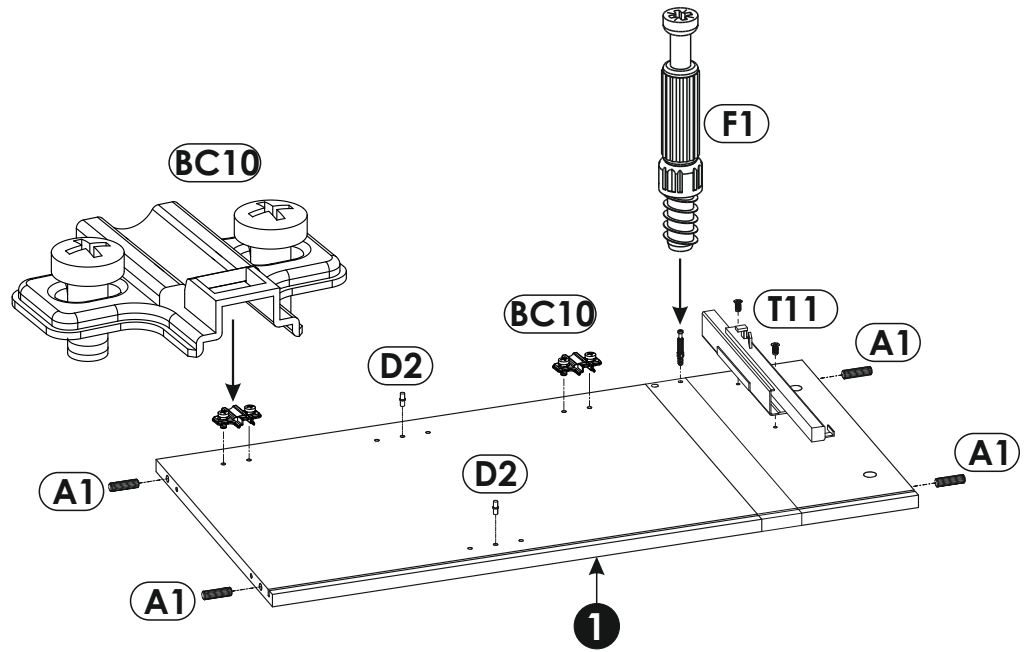
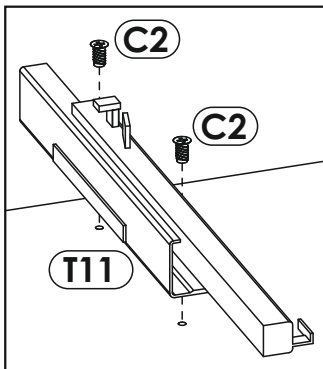
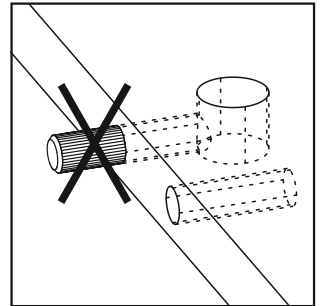
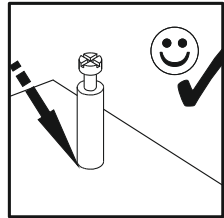
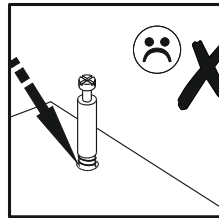
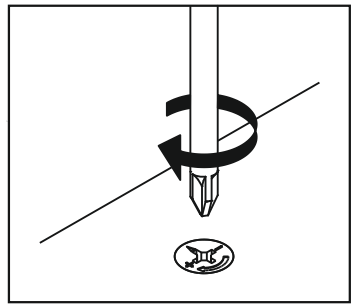
<b>A1</b> x18 $\phi 8 \times 35$ mm 	<b>BC10</b> x4 	<b>BC11</b> x4 
<b>C1</b> x8 4 x 13 mm 	<b>C2</b> x4 5 x 13 mm 	<b>D2</b> x12 
<b>E0a</b> x4 	<b>E0b</b> x6 	<b>E1</b> x10 
<b>F1</b> x10 	<b>G0a</b> x6 	<b>G0b</b> x2 
<b>G1</b> x8 $\phi 7 \times 50$ mm 	<b>I2</b> x1 4 x 16 mm 	<b>I10</b> x5 3,5 x 22 mm 
<b>J6</b> x4 4 x 30 mm 	<b>M</b> x1 	<b>N1</b> x10 3 x 16 mm 
<b>O15</b> x5 $\phi 50 \times 25$ mm 	<b>Q9</b> x1 	<b>R1</b> x5 
<b>R4</b> x12 	<b>T11</b> x1 	



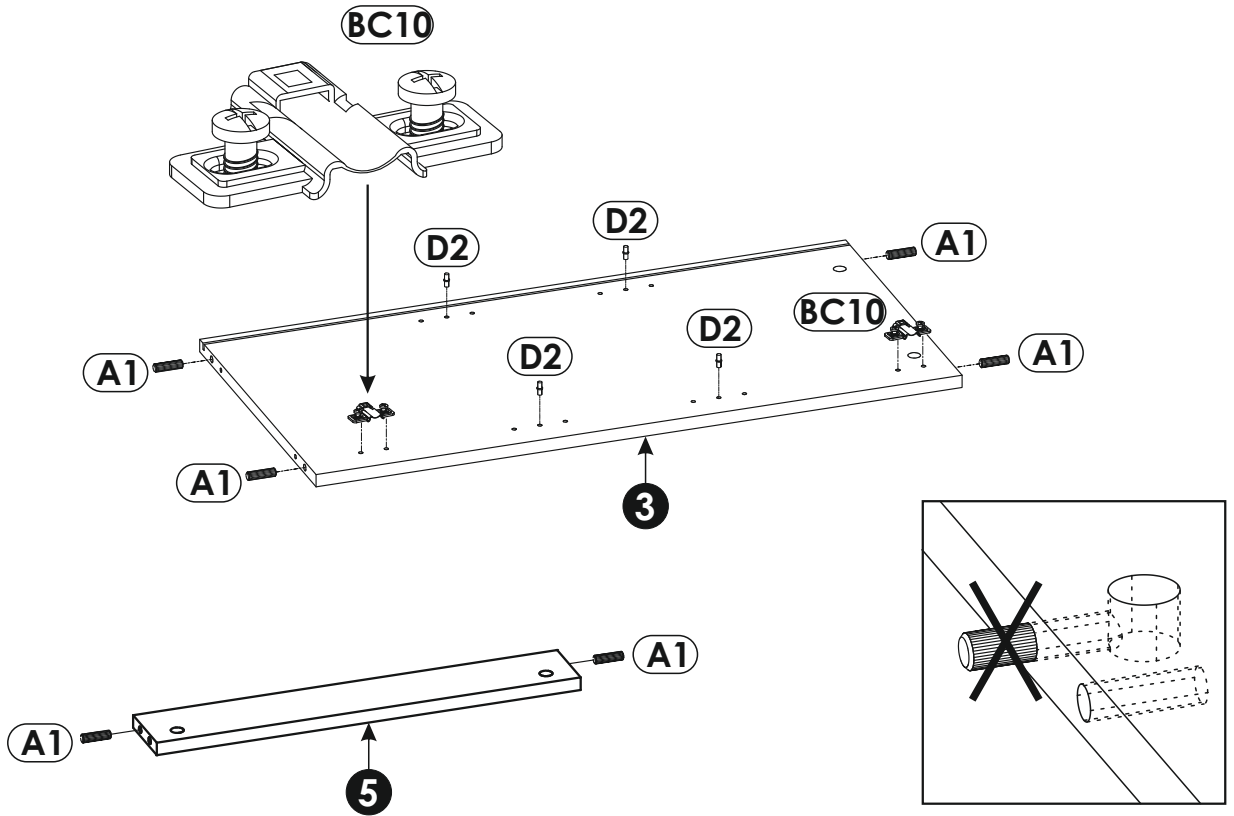


1	808	400	16	x1	2/2
2	808	385	16	x1	2/2
3	808	400	16	x1	2/2
4	1904	400	16	x1	2/2
5	522	80	16	x1	1/2
6	522	370	16	x3	1/2
7	1094	400	16	x1	2/2
8	543	160	19	x1	1/2
9	543	626	19	x1	1/2
10	543	836	19	x1	1/2
11	96	80	16	x1	1/2
12	350	106	16	x1	1/2
13	350	106	16	x1	1/2
14	480	90	16	x1	1/2
15	495	355	3	x1	1/2
16	822	537	3	x1	1/2
17	822	537	3	x1	1/2

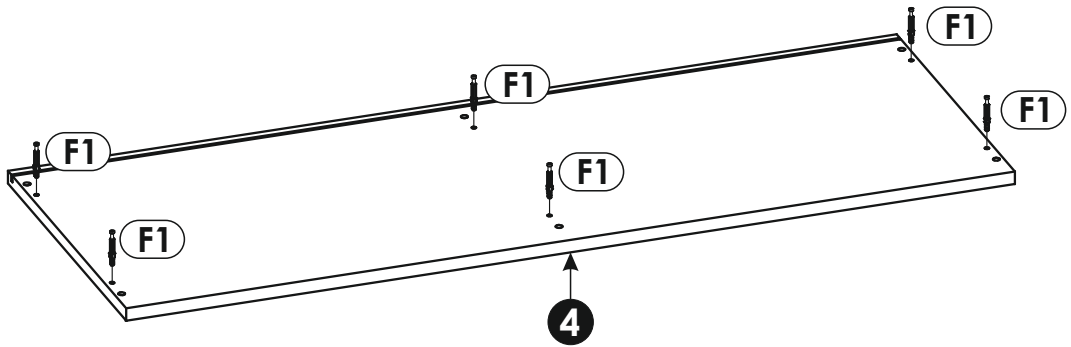




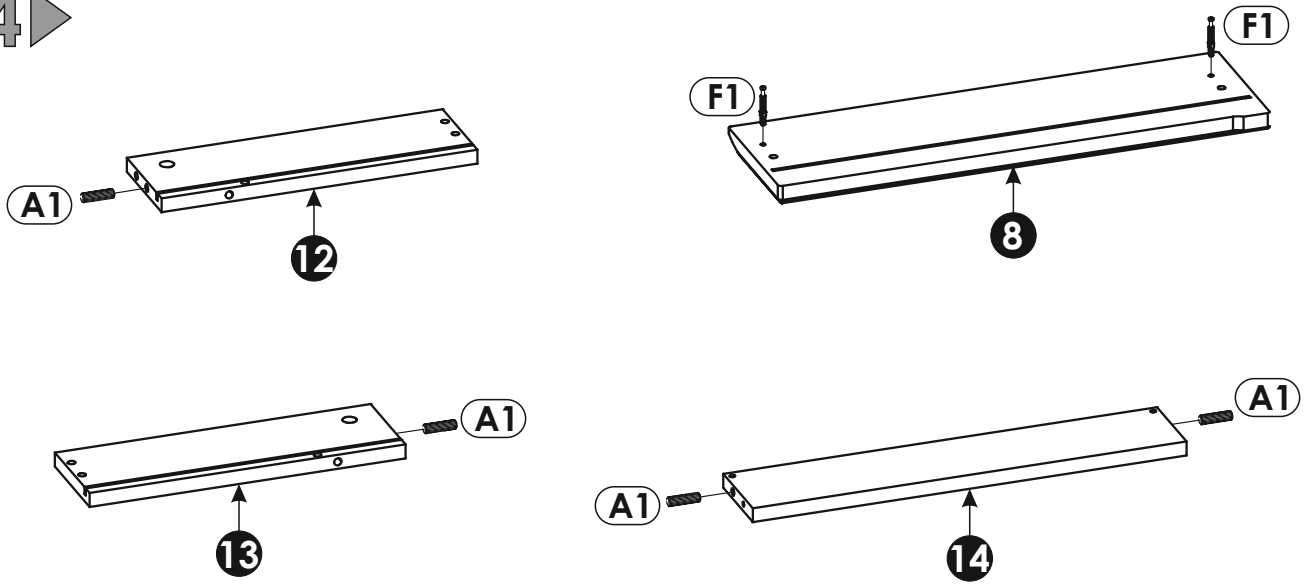
2 ▶



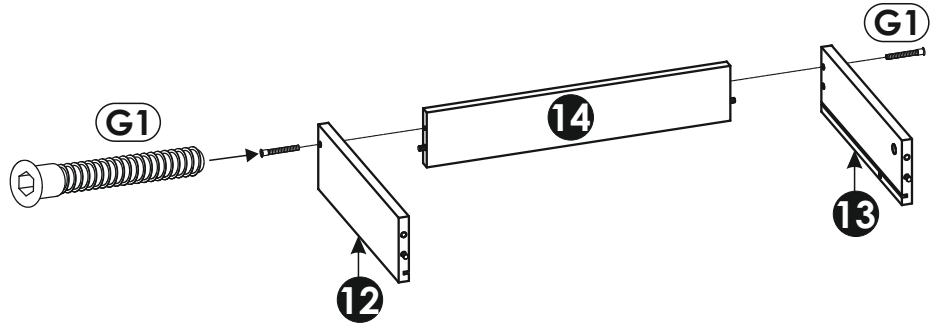
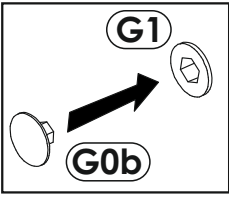
3 ▶



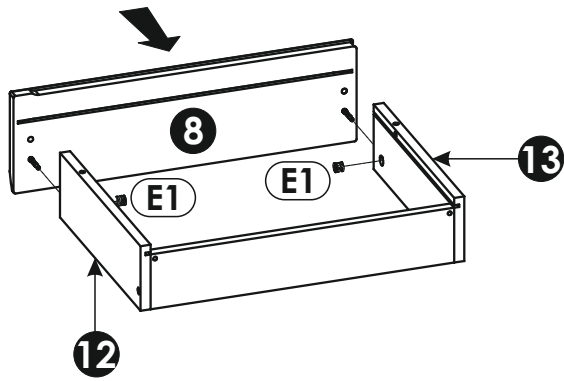
4 ▶



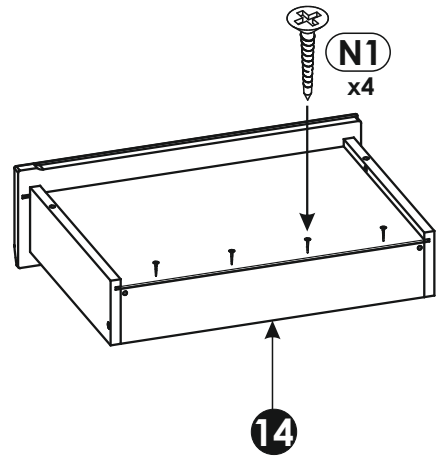
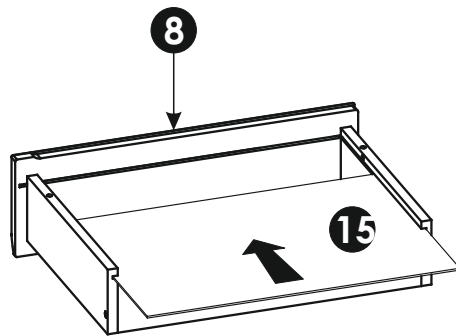
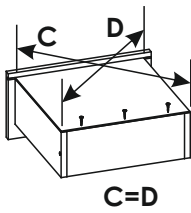
5 ▶



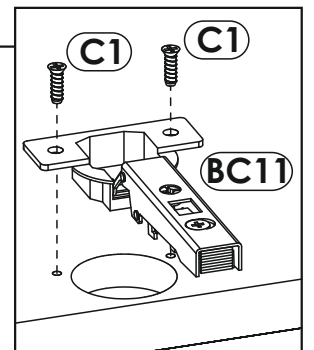
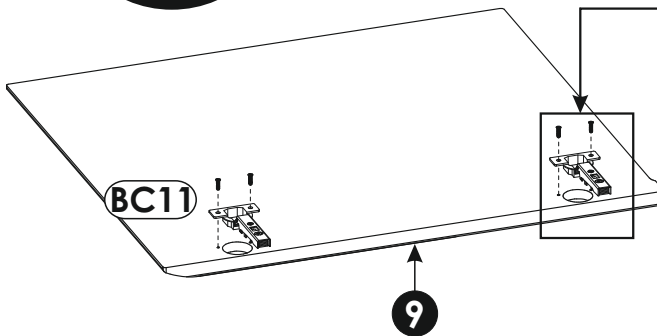
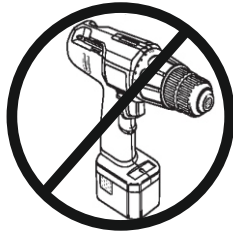
6 ▶



7 ▶

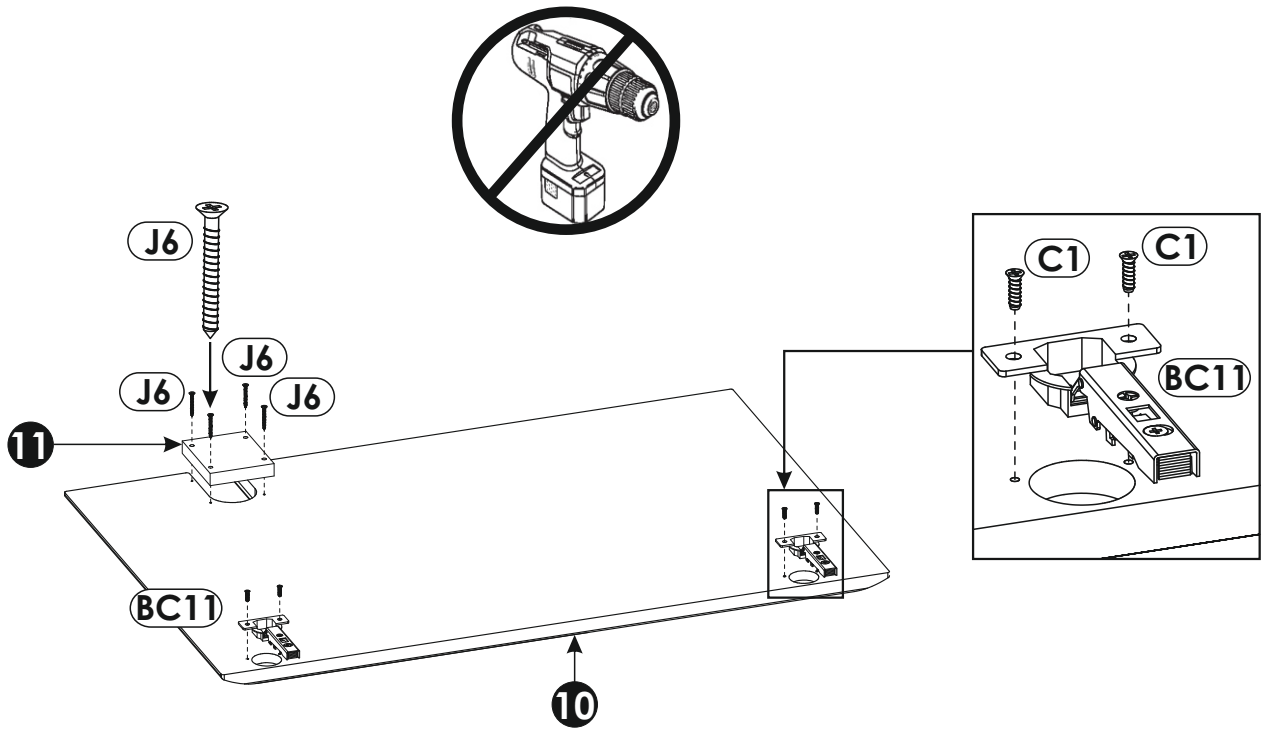


8 ▶

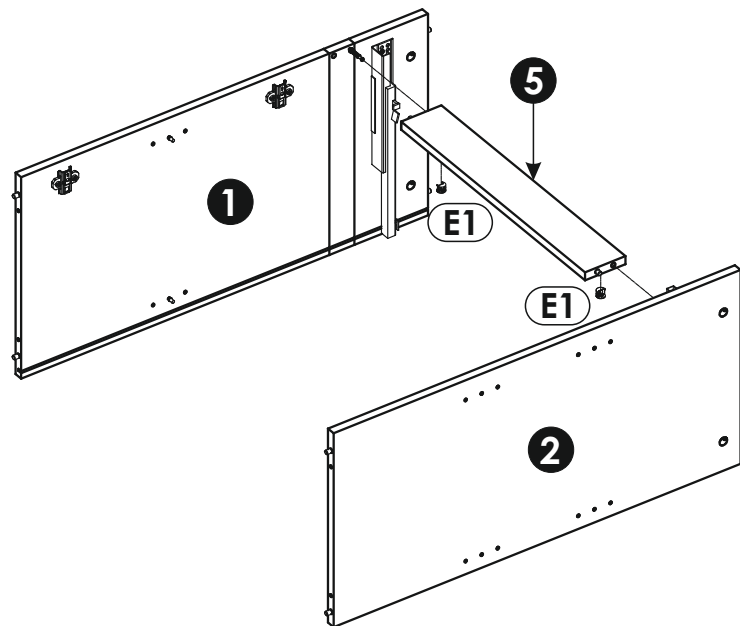




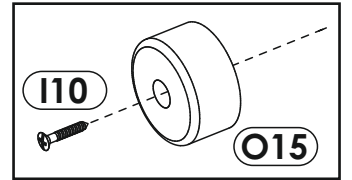
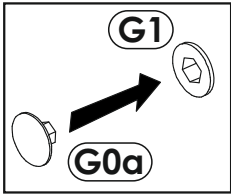
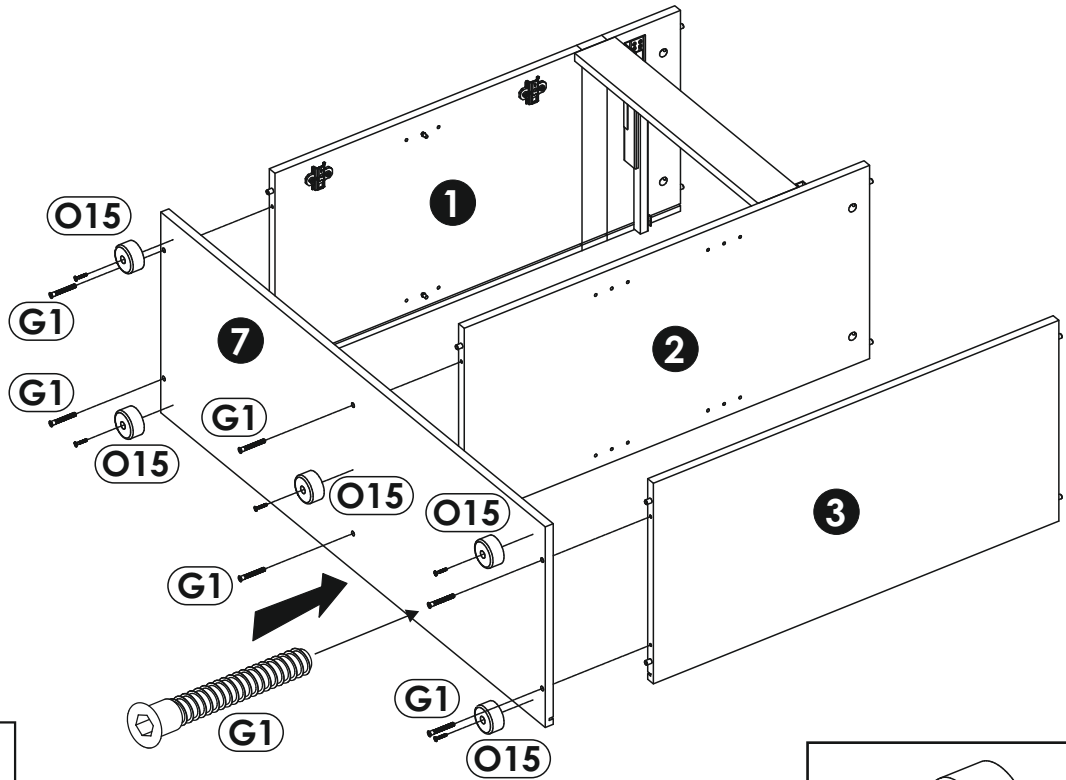
9 ▶



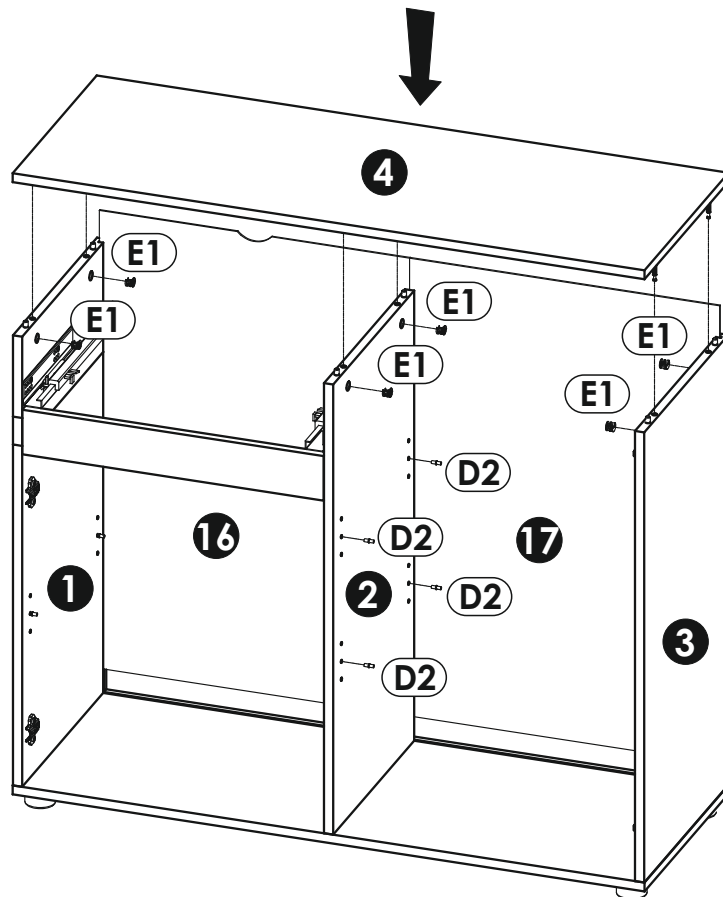
10 ▶



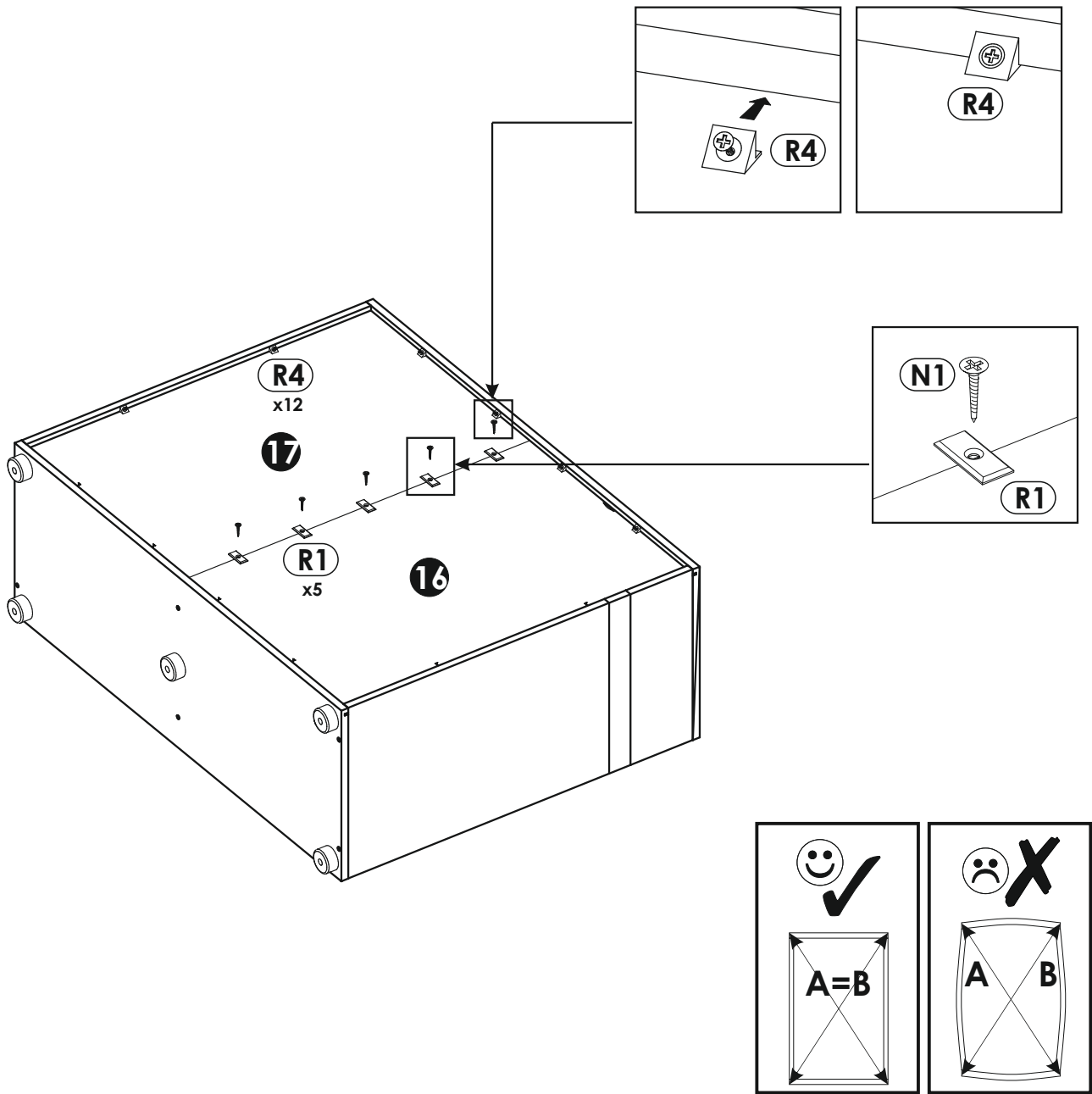
11 ▶



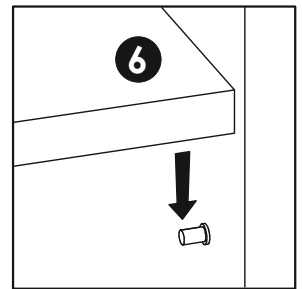
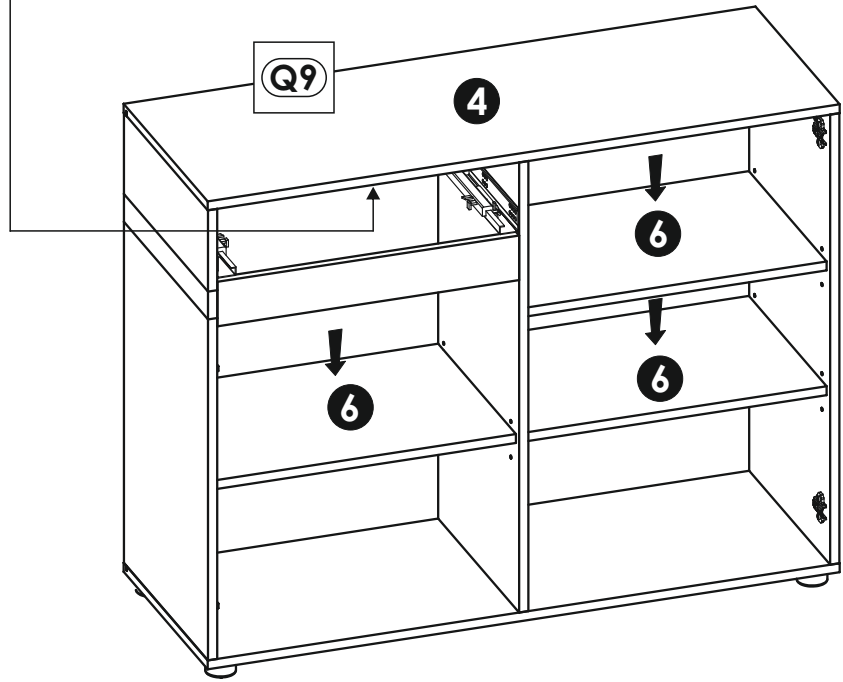
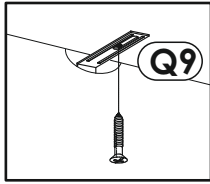
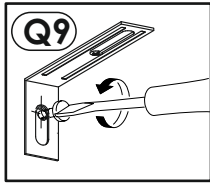
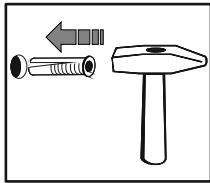
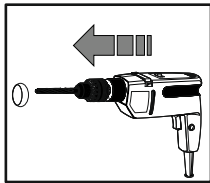
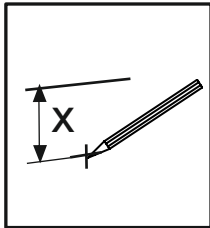
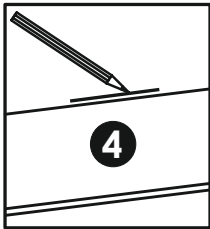
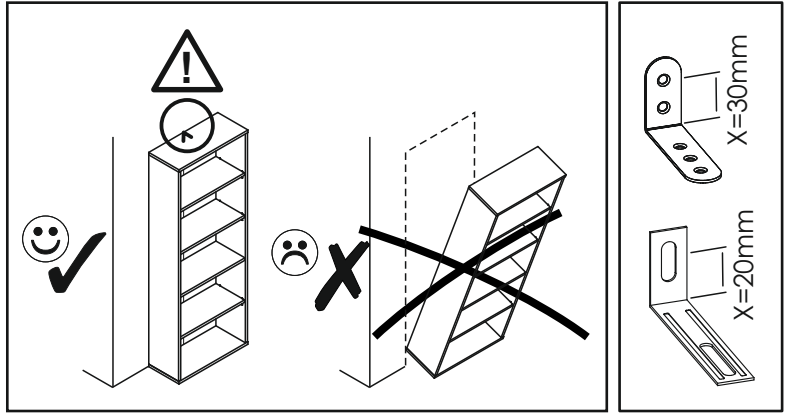
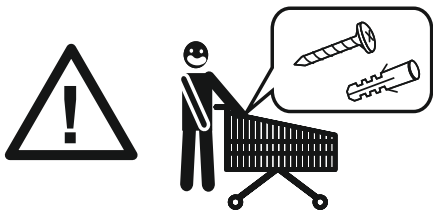
12 ▶



13 ▶



14 ▶



15▶

