

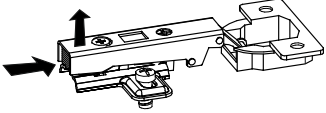
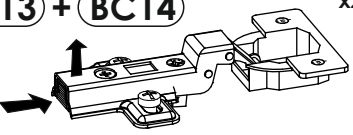







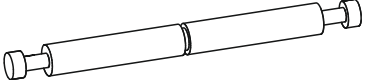






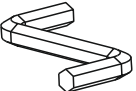

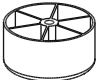


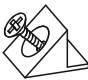
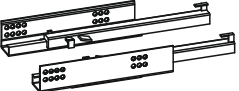
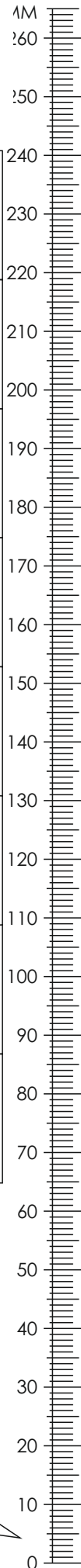
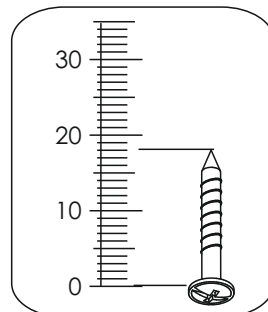
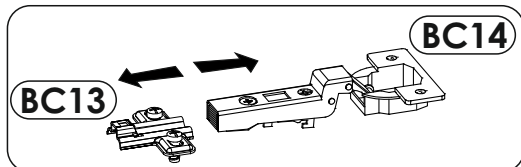
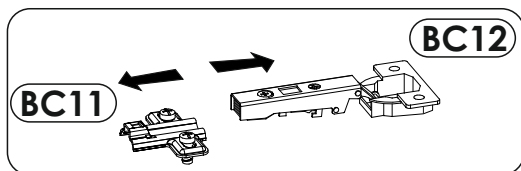
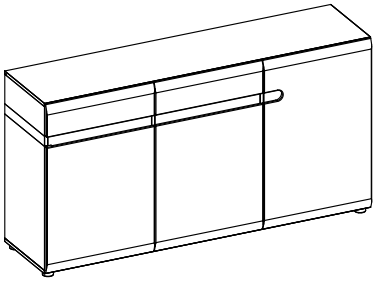
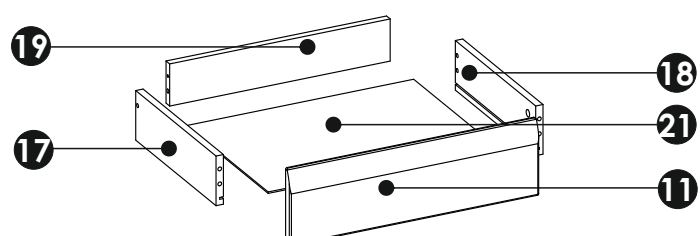
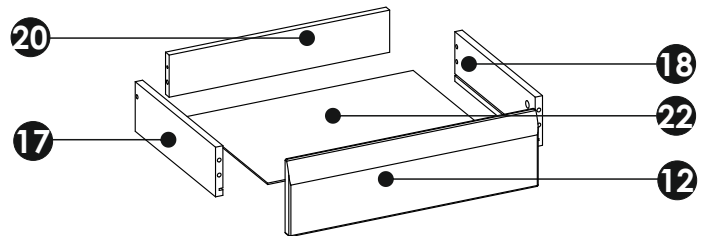
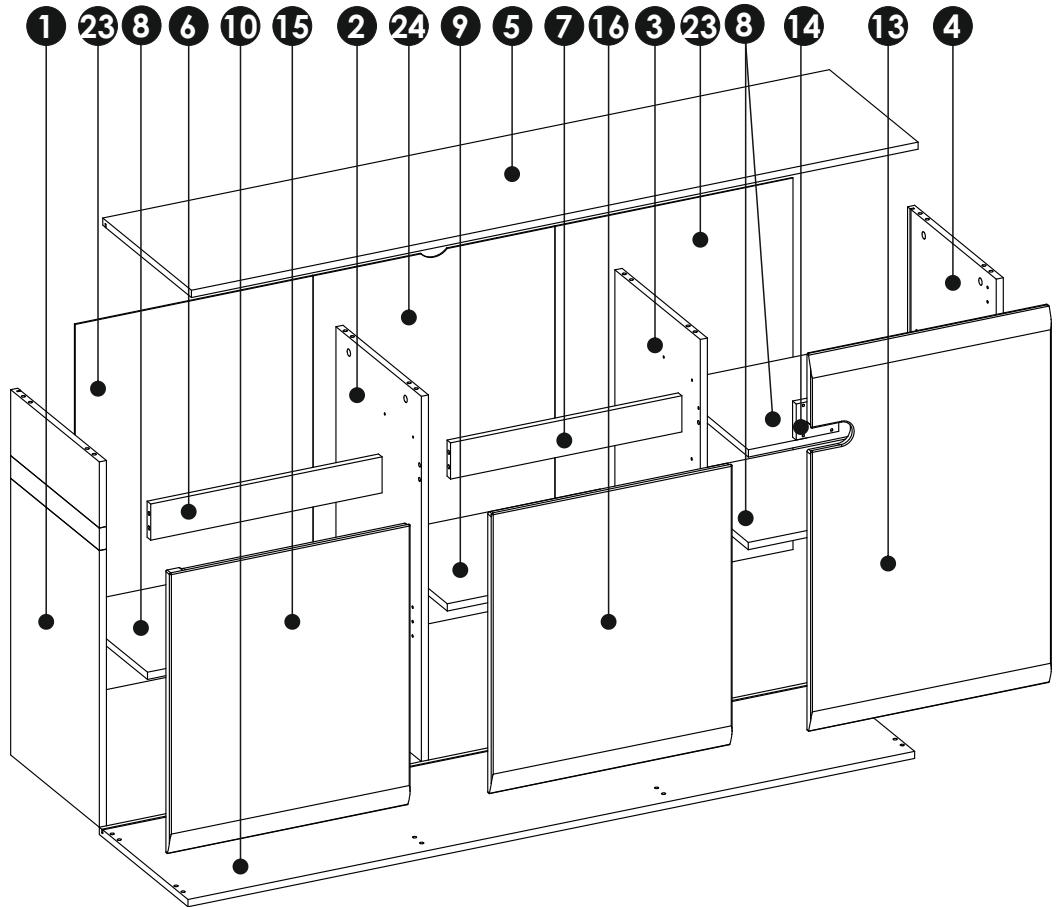


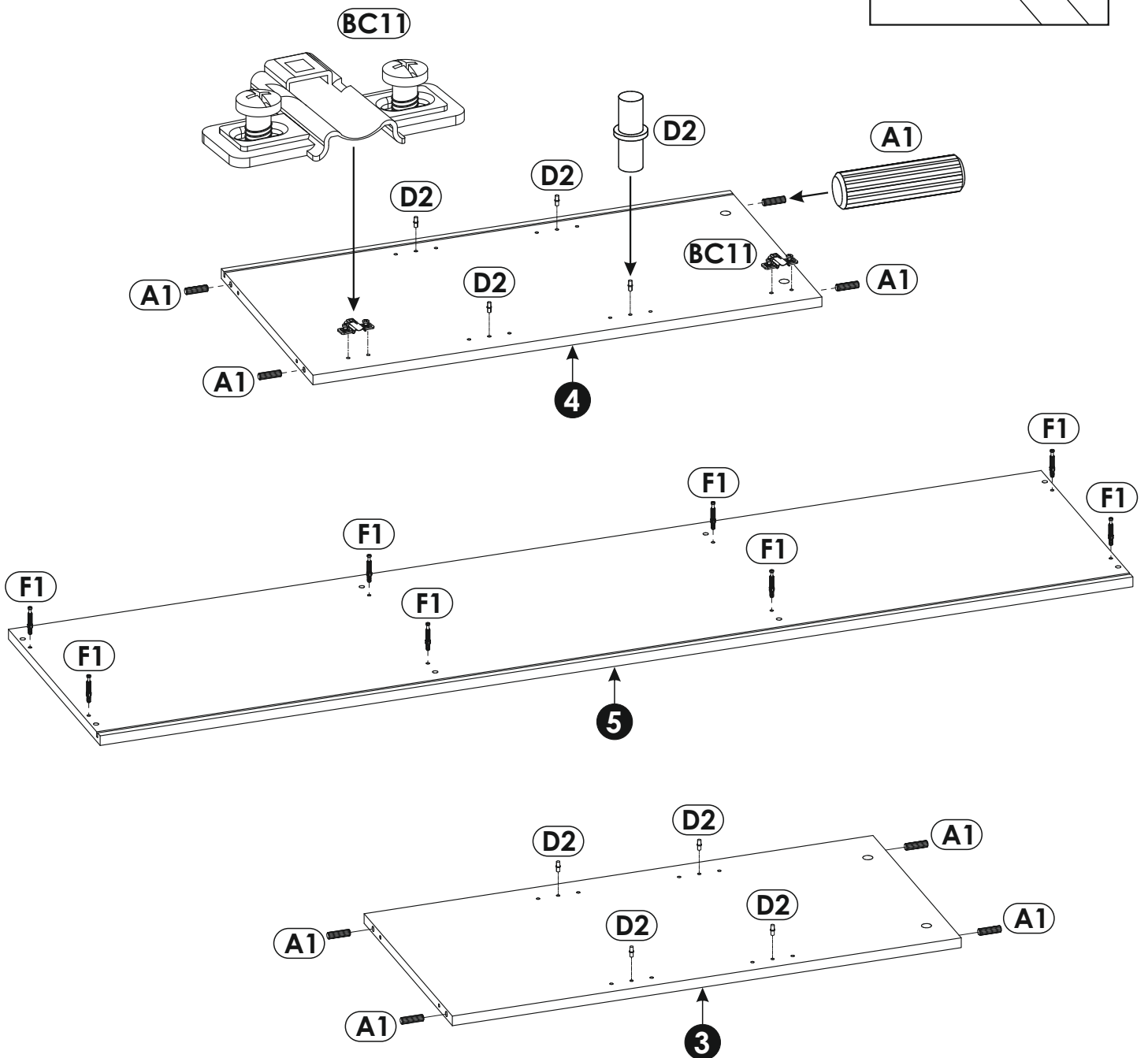
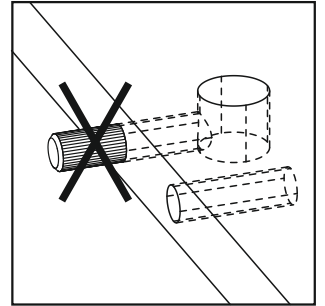
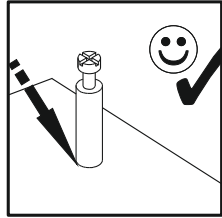
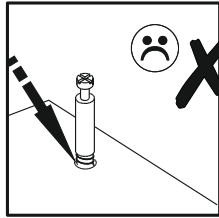
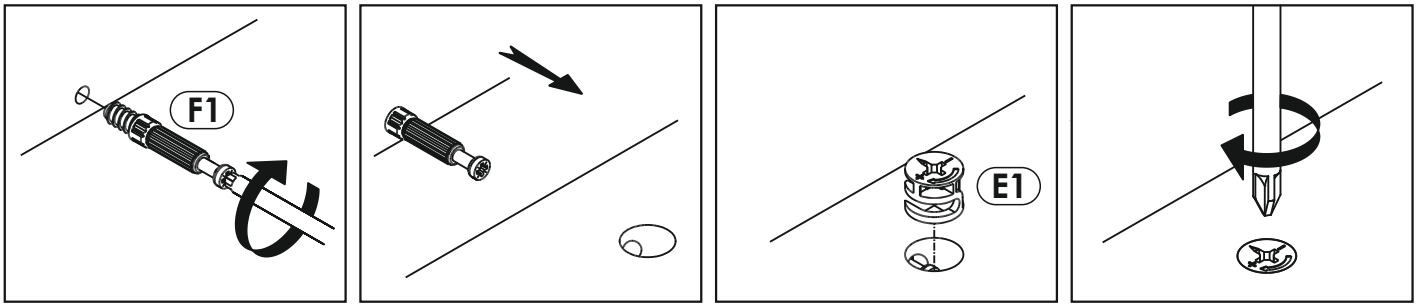
<b>A1</b> x26 $\phi 8 \times 35$ mm 	<b>A3</b> x1 $\phi 8 \times 60$ mm 	<b>BC11</b> + <b>BC12</b> x4 
<b>BC13</b> + <b>BC14</b> x2 	<b>C1</b> x12 4 x 13 mm 	<b>C2</b> x8 5 x 13 mm 
<b>D2</b> x16 	<b>E0a</b> x4 	<b>E0b</b> x12 
<b>E1</b> x16 	<b>F1</b> x14 	<b>F4</b> x1 $\phi 7 \times 76$ mm 
<b>G0a</b> x8 	<b>G0b</b> x4 	<b>G1</b> x12 $\phi 7 \times 50$ mm 
<b>I2</b> x1 4 x 16 mm 	<b>I10</b> x6 3,5 x 22 mm 	<b>J6</b> x4 4 x 30 mm 
<b>M</b> x1 	<b>N1</b> x20 3 x 16 mm 	<b>O15</b> x6 $\phi 50 \times 25$ mm 
<b>Q9</b> x1 	<b>R1</b> x10 	<b>R4</b> x16 
<b>T11</b> x2 		



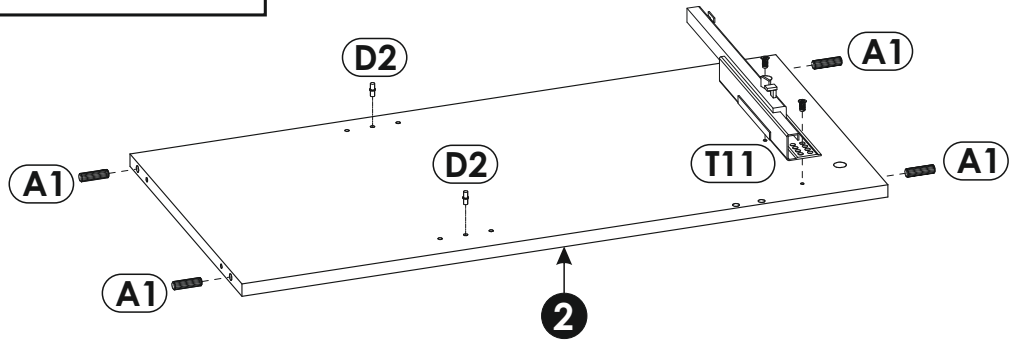
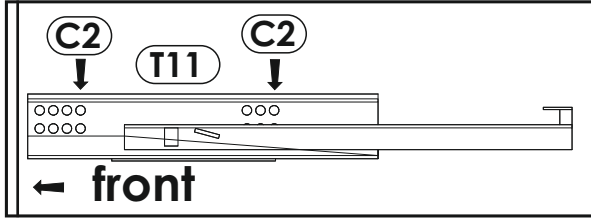
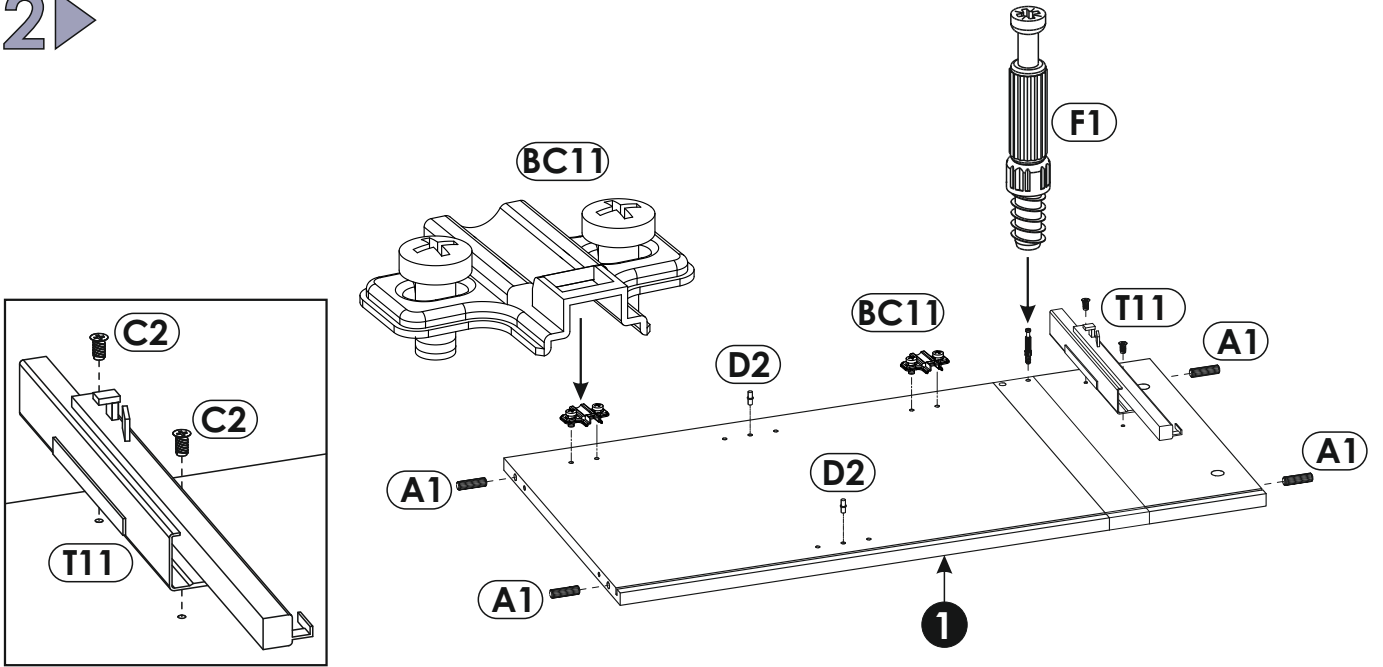


<b>1</b>	808	400	16	x1	2/2
<b>2</b>	808	385	16	x1	2/2
<b>3</b>	808	385	16	x1	2/2
<b>4</b>	808	400	16	x1	2/2
<b>5</b>	1640	400	16	x1	2/2
<b>6</b>	522	80	16	x1	1/2
<b>7</b>	530	80	16	x1	1/2
<b>8</b>	522	370	16	x3	2/2
<b>9</b>	530	370	16	x1	1/2
<b>10</b>	1640	400	16	x1	2/2
<b>11</b>	543	160	19	x1	1/2
<b>12</b>	543	160	19	x1	1/2
<b>13</b>	543	836	19	x1	1/2
<b>14</b>	96	80	16	x1	1/2
<b>15</b>	543	626	19	x1	1/2
<b>16</b>	543	626	19	x1	1/2
<b>17</b>	350	106	16	x2	1/2
<b>18</b>	350	106	16	x2	1/2
<b>19</b>	480	90	16	x1	1/2
<b>20</b>	488	90	16	x1	1/2
<b>21</b>	495	355	3	x1	1/2
<b>22</b>	502	355	3	x1	1/2
<b>23</b>	822	538	3	x2	1/2
<b>24</b>	822	546	3	x1	1/2

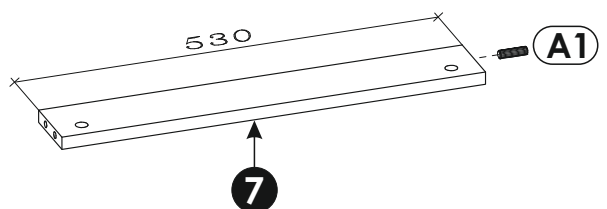
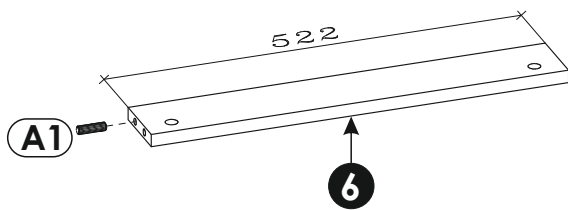




2 ▶

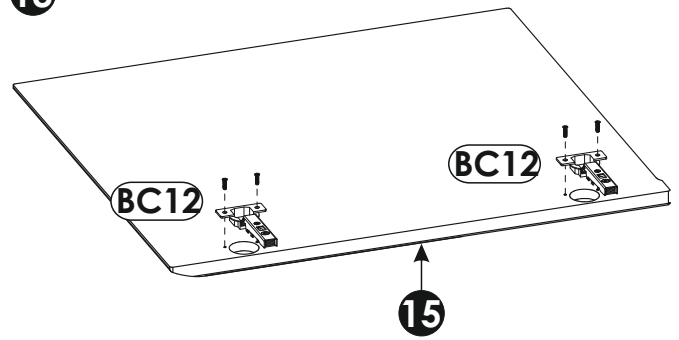
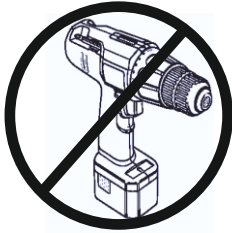
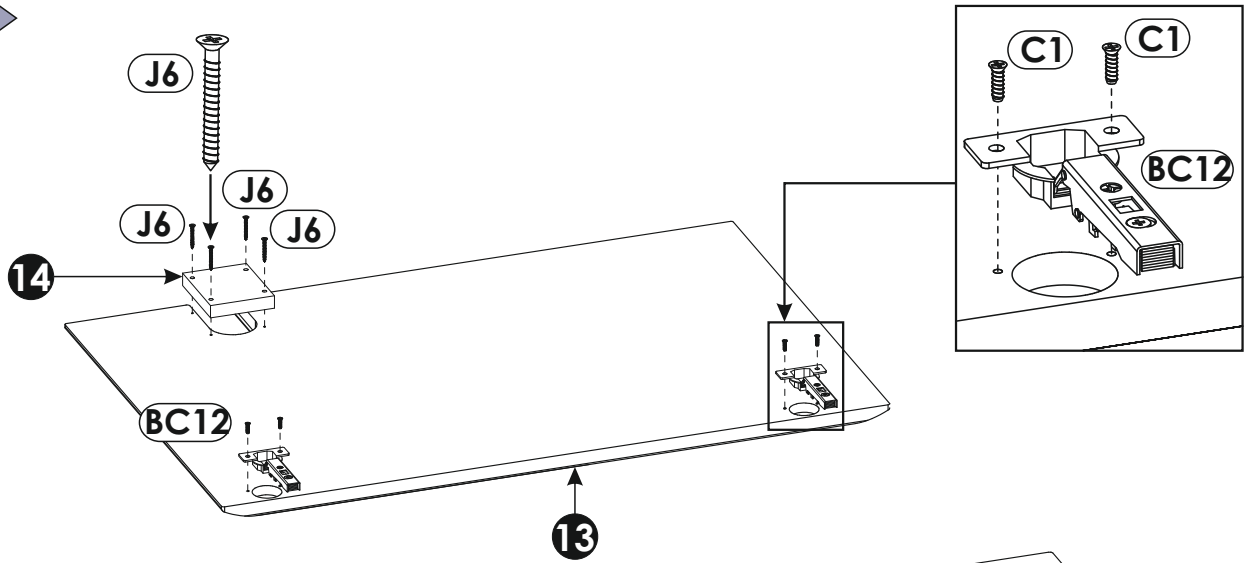


3 ▶

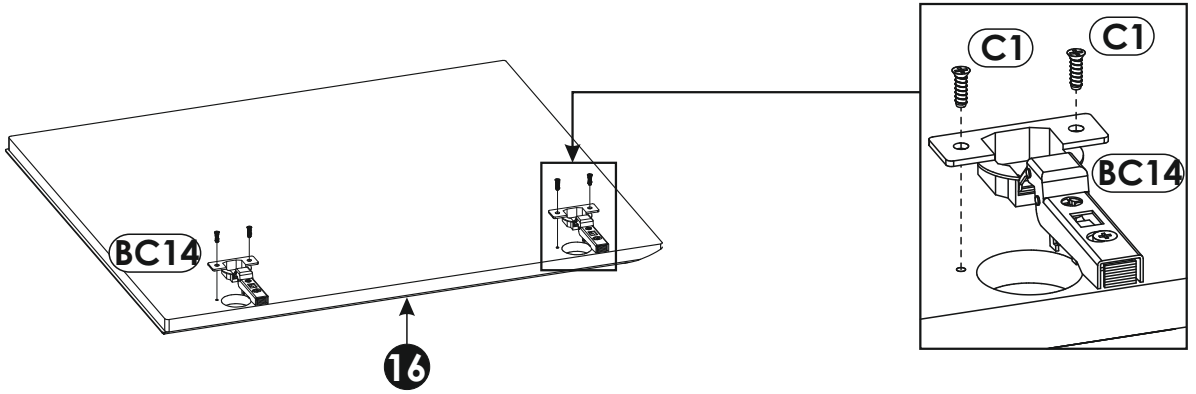




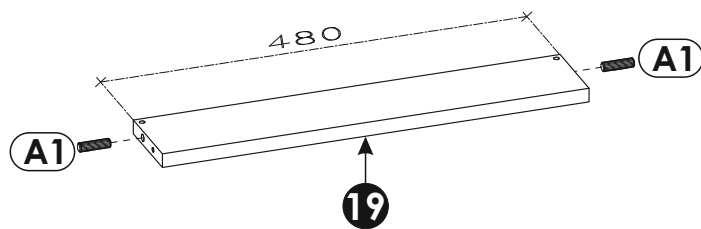
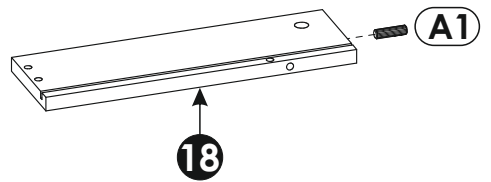
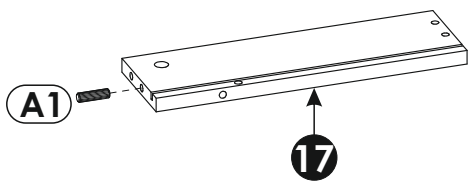
4 ▶



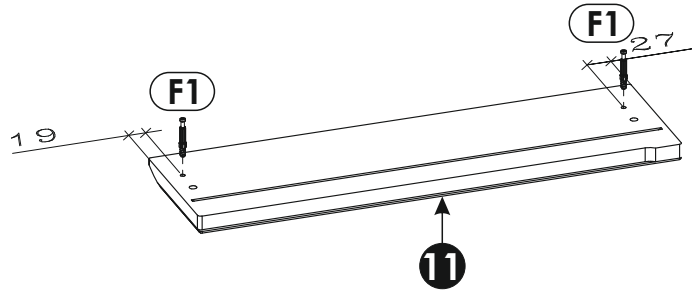
5 ▶



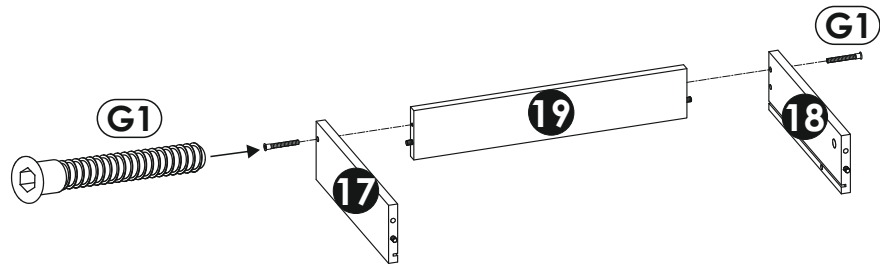
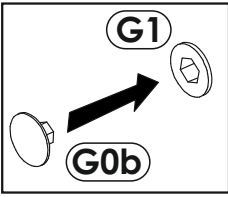
6 ▶



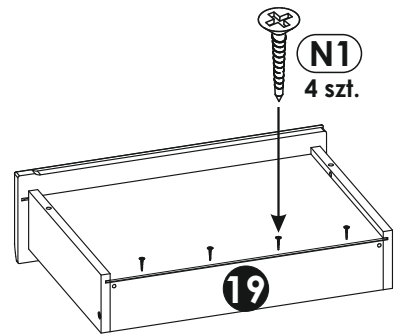
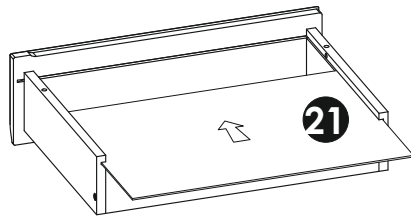
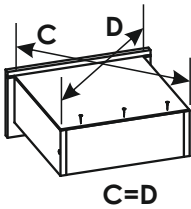
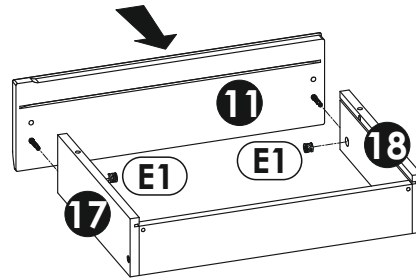
7 ▶



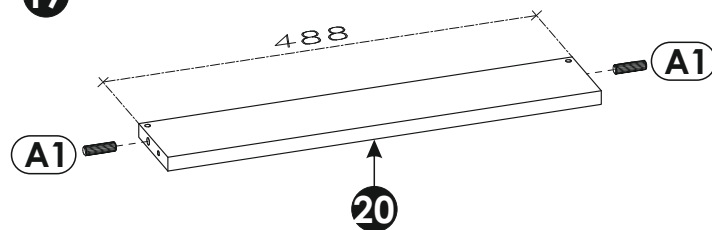
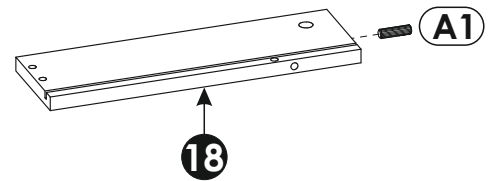
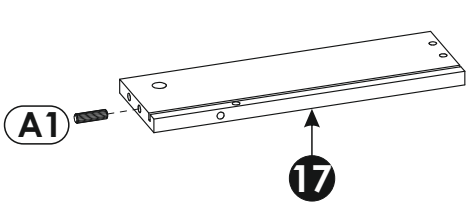
8 ▶



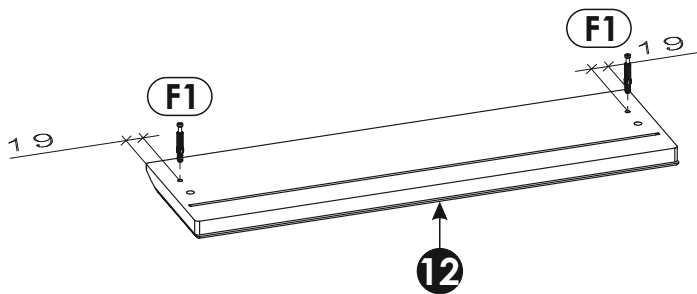
9 ▶



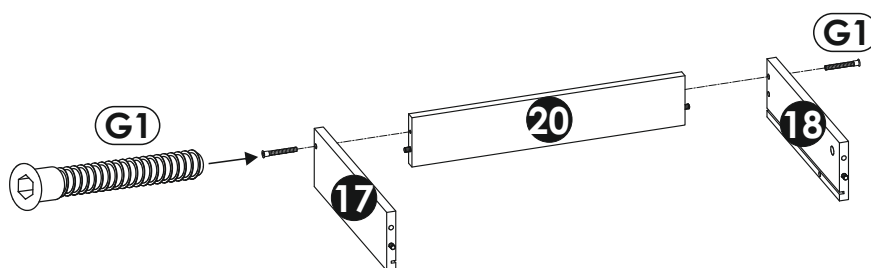
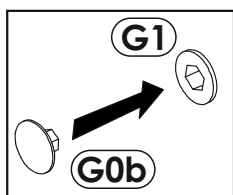
10 ▶



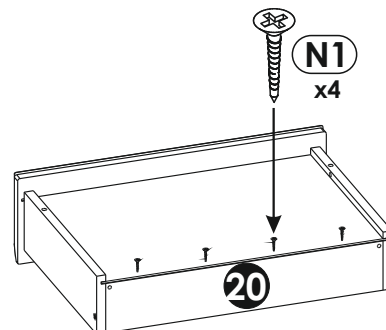
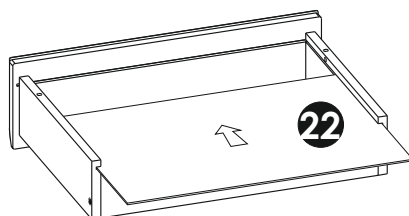
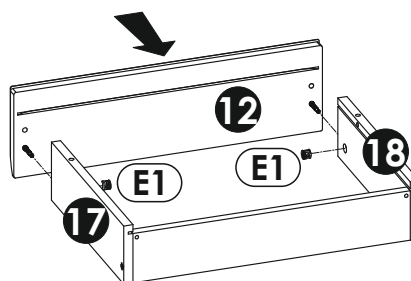
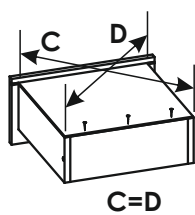
11 ▶



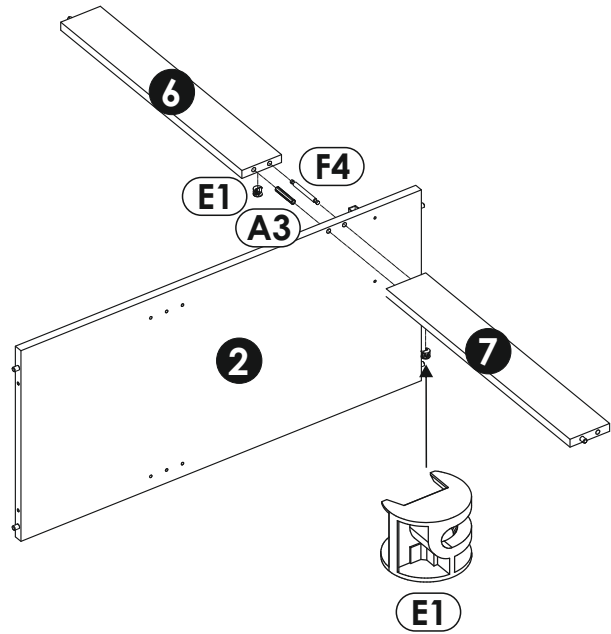
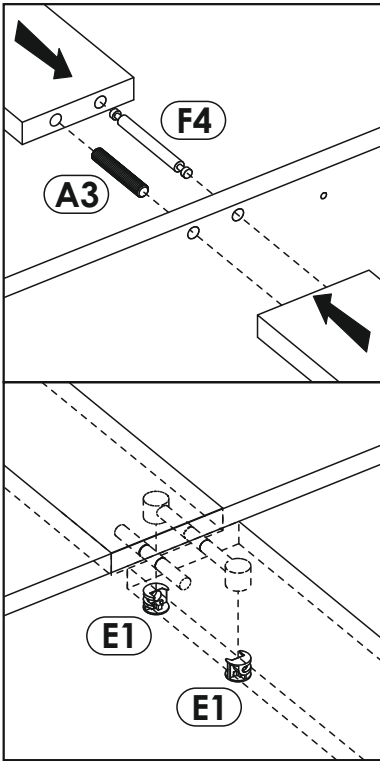
12 ▶



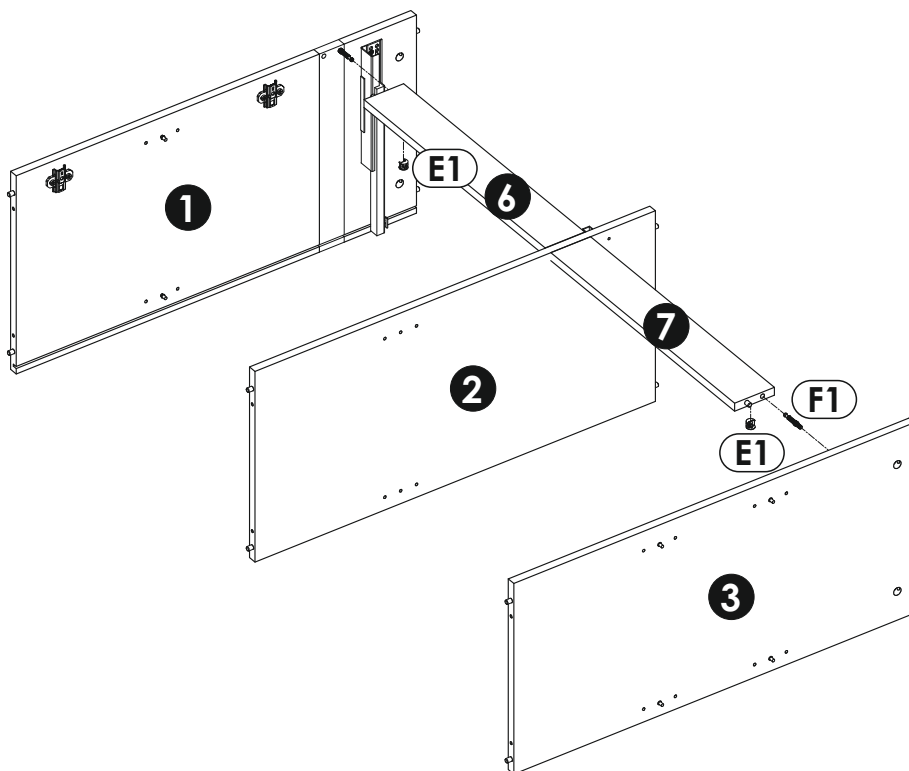
13 ▶



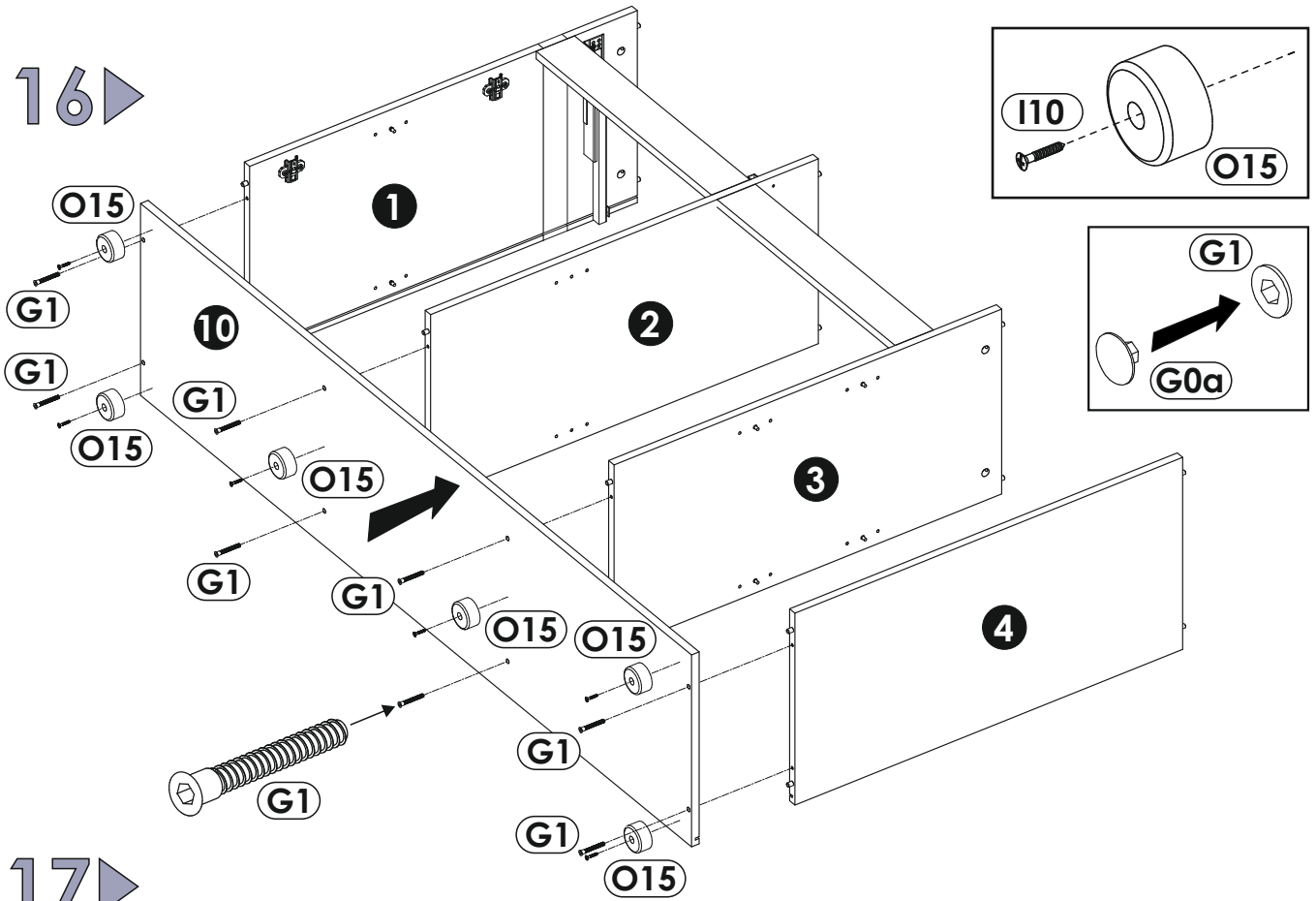
# 14 ▶



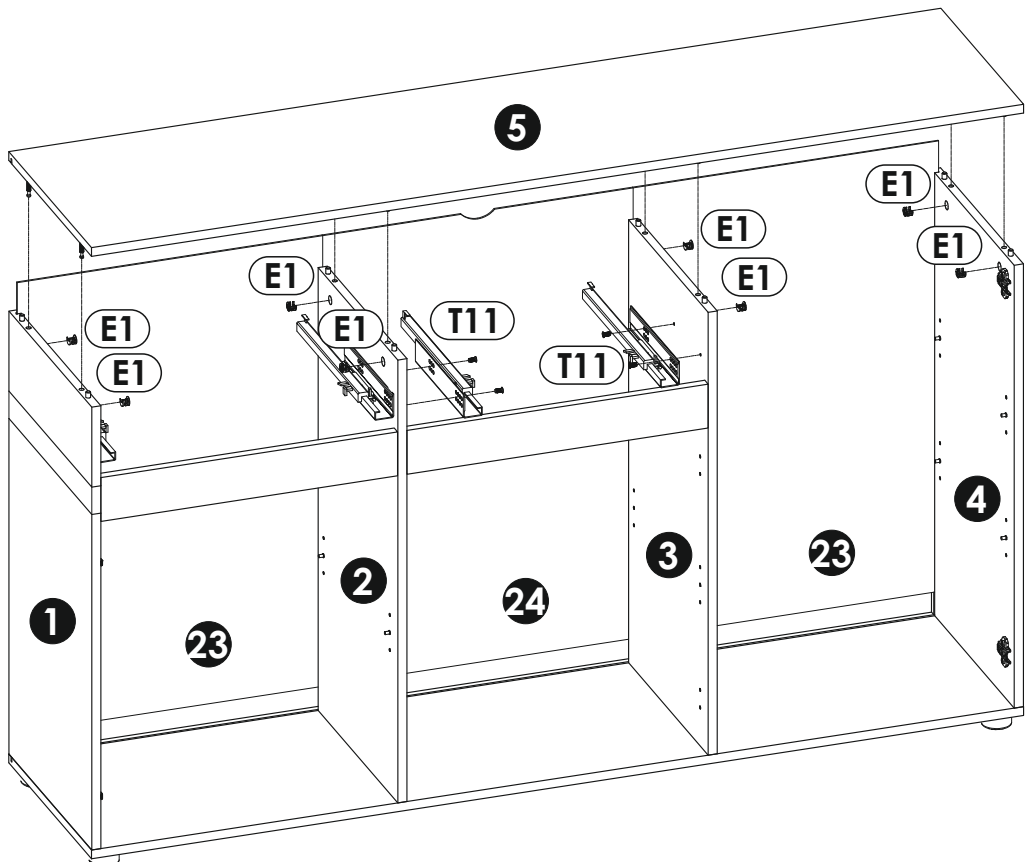
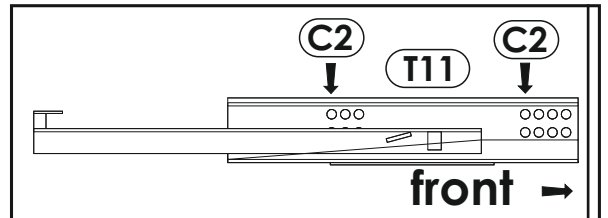
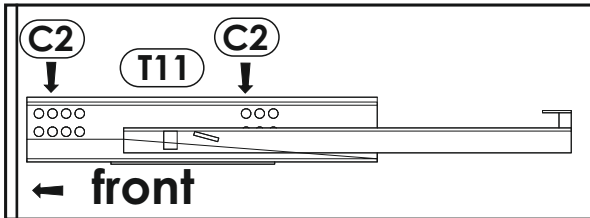
# 15 ▶



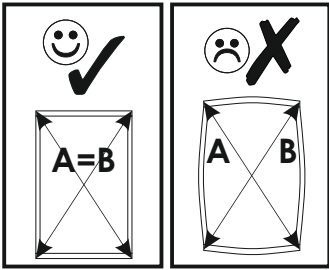
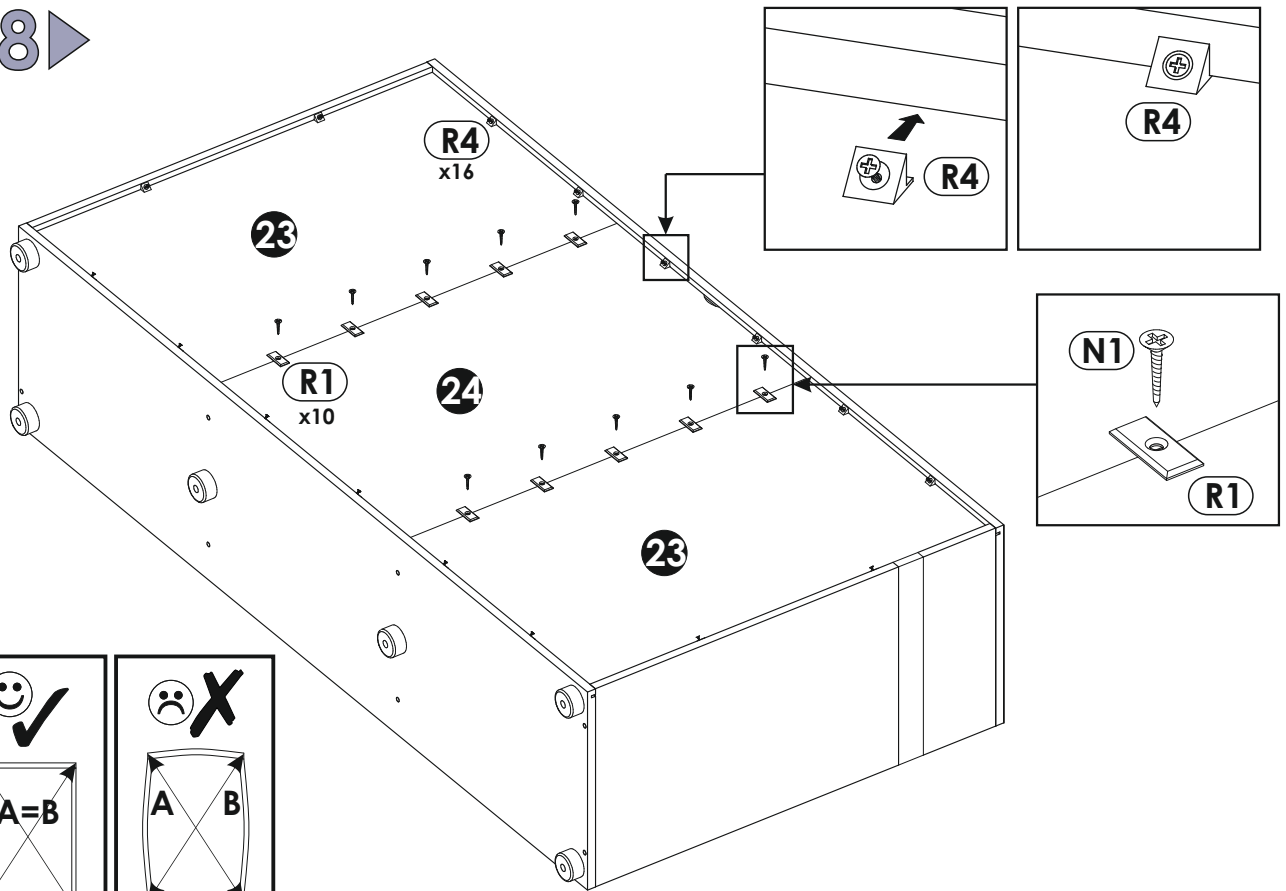
16 ▶



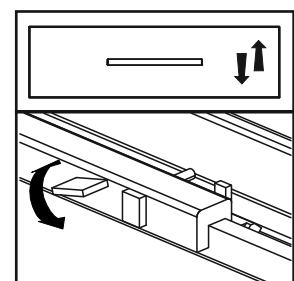
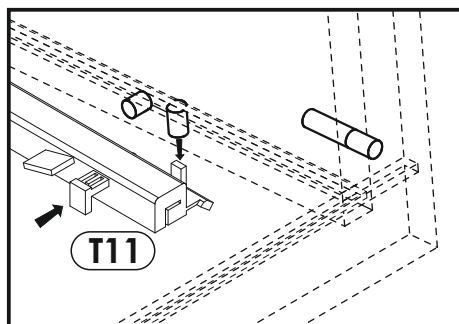
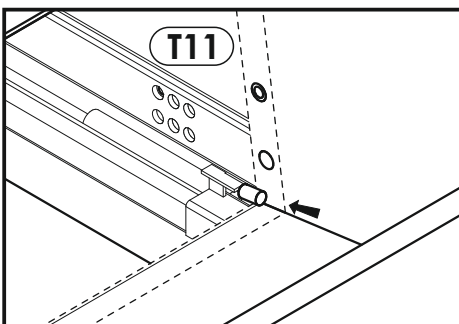
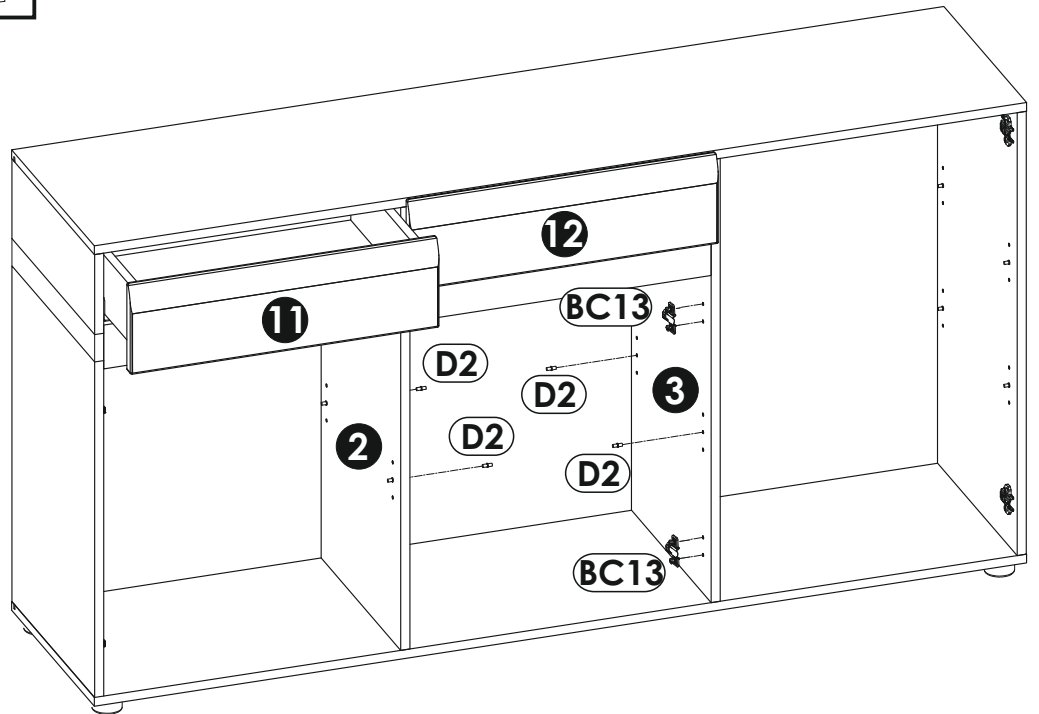
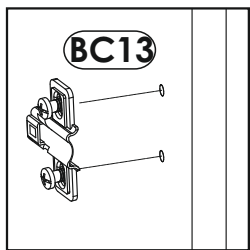
17 ▶



18 ▶



19 ▶



20 ▶

