
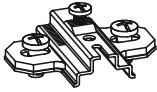
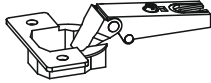

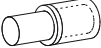









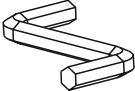

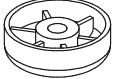




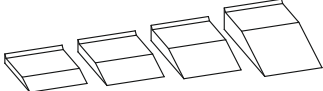
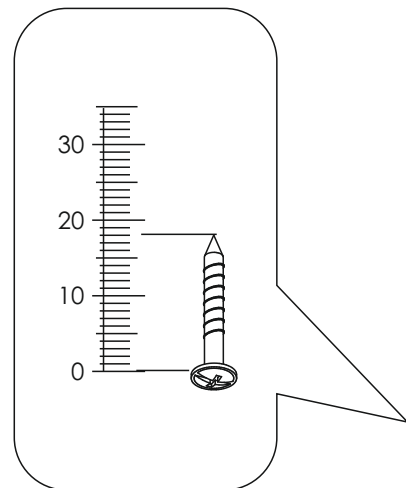
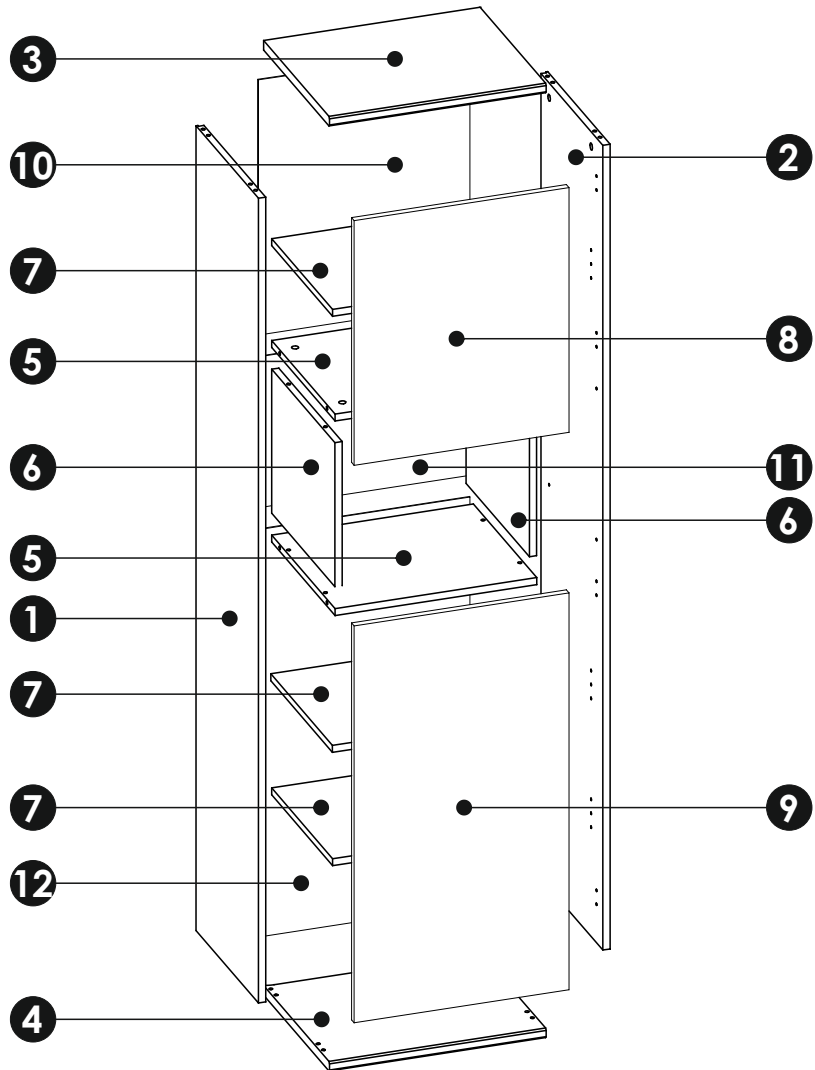
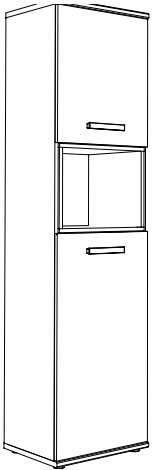


A1 x16 	B0 x4 	B1 x4 
C1 x8 4 x 13 mm 	D2 x12 	E0 x12 
E1 x12 	F1 x12 	G0 x4 
G2 x4 $\phi 7$ x 60 mm 	H1 x2 	I2 x1 4 x 16 mm 
I10 x4 3,5 x 22 mm 	K3 x4 M4 x 22 mm 	M x1 
N1 x50 3 x 16 mm 	O1 x4 	P0 x12 $\phi 5$ 
Q9 x1 	R1 x4 	R8 x4 
Z x1 		

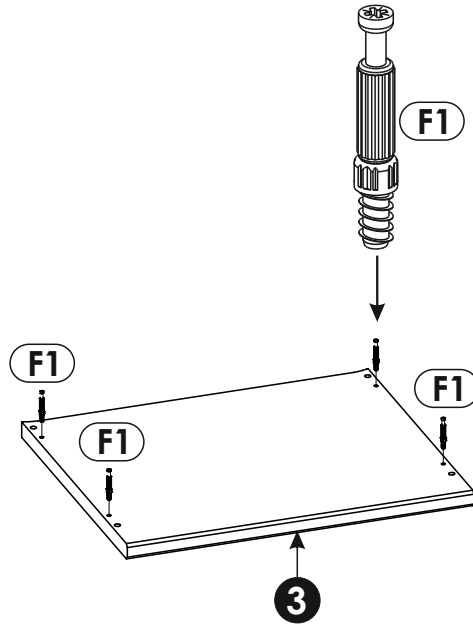
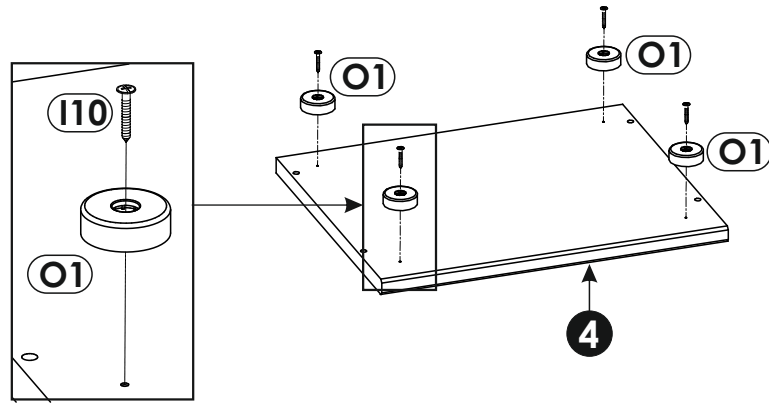




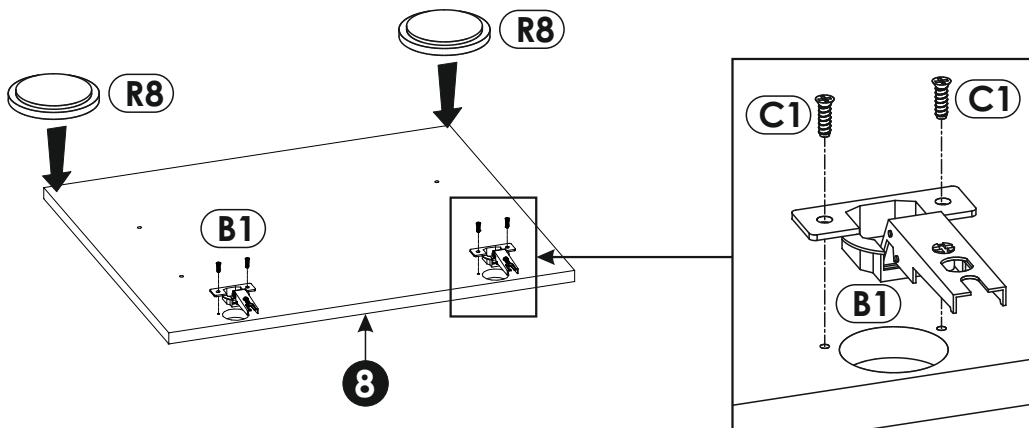
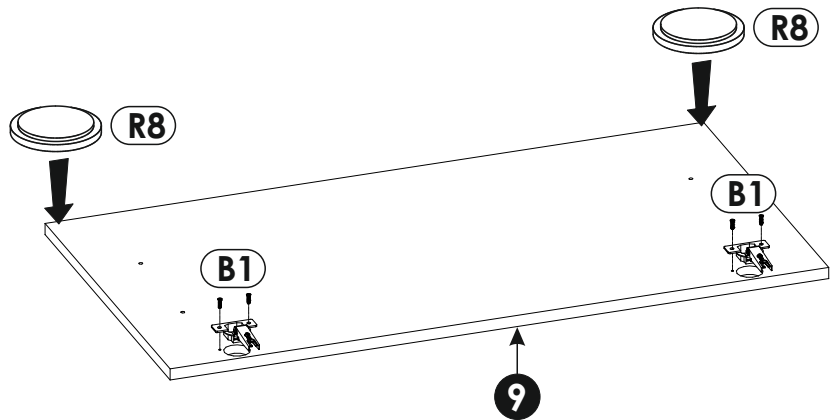
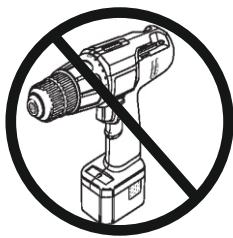
1	1849	380	16	x1	2/2
2	1849	380	16	x1	2/2
3	480	402	22	x1	1/2
4	480	402	22	x1	1/2
5	447	386	16	x2	2/2
6	331	385	16	x2	2/2

7	447	371	16	x3	2/2
8	562	476	16	x1	1/2
9	912	476	16	x1	1/2
10	587	469	3	x1	1/2
11	469	347	3	x1	1/2
12	937	469	3	x1	1/2

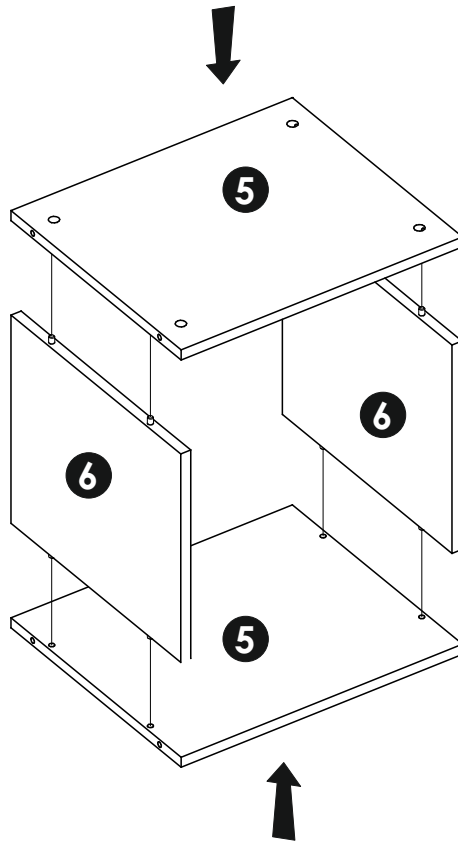
3 ▶



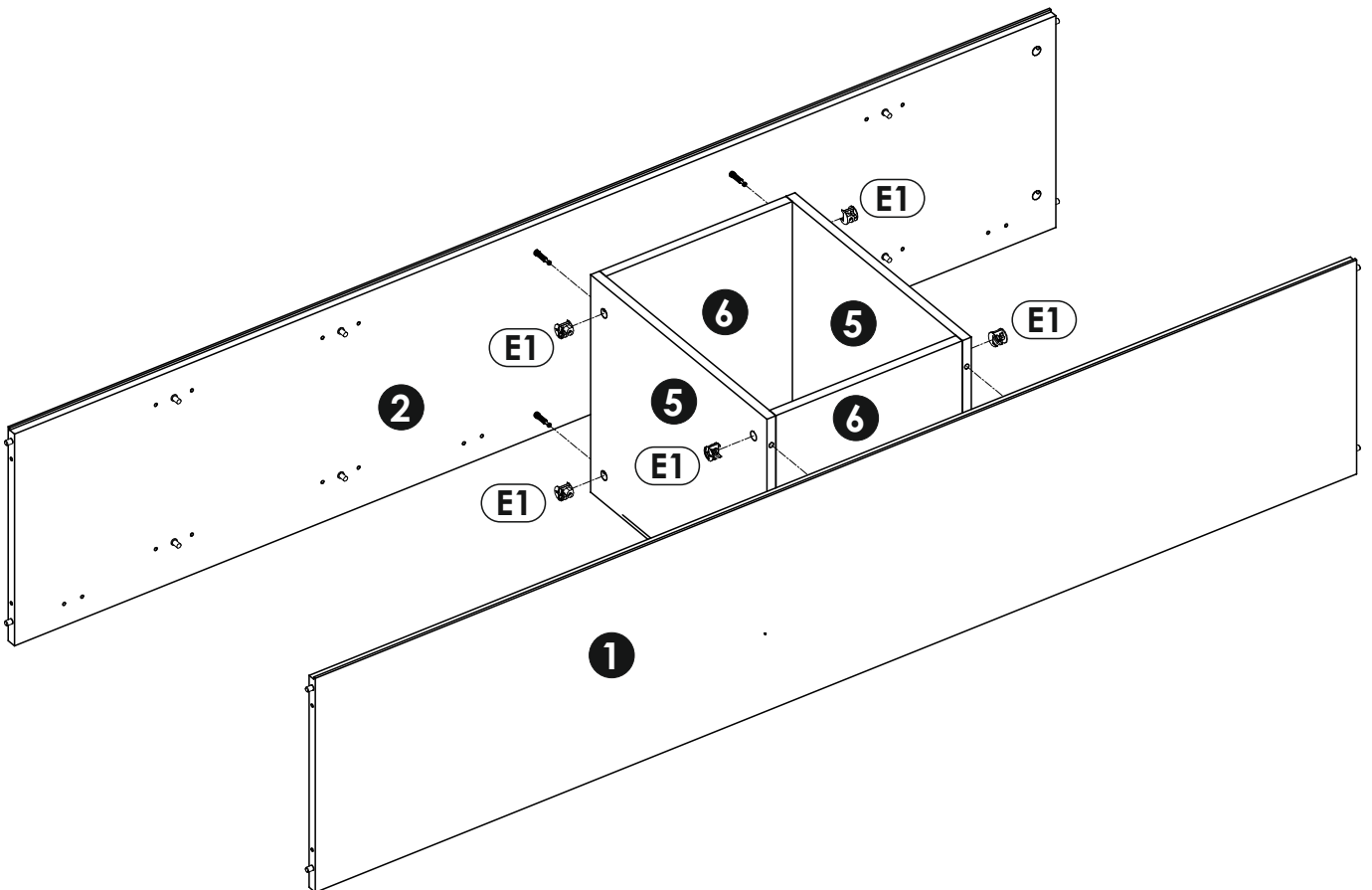
4 ▶



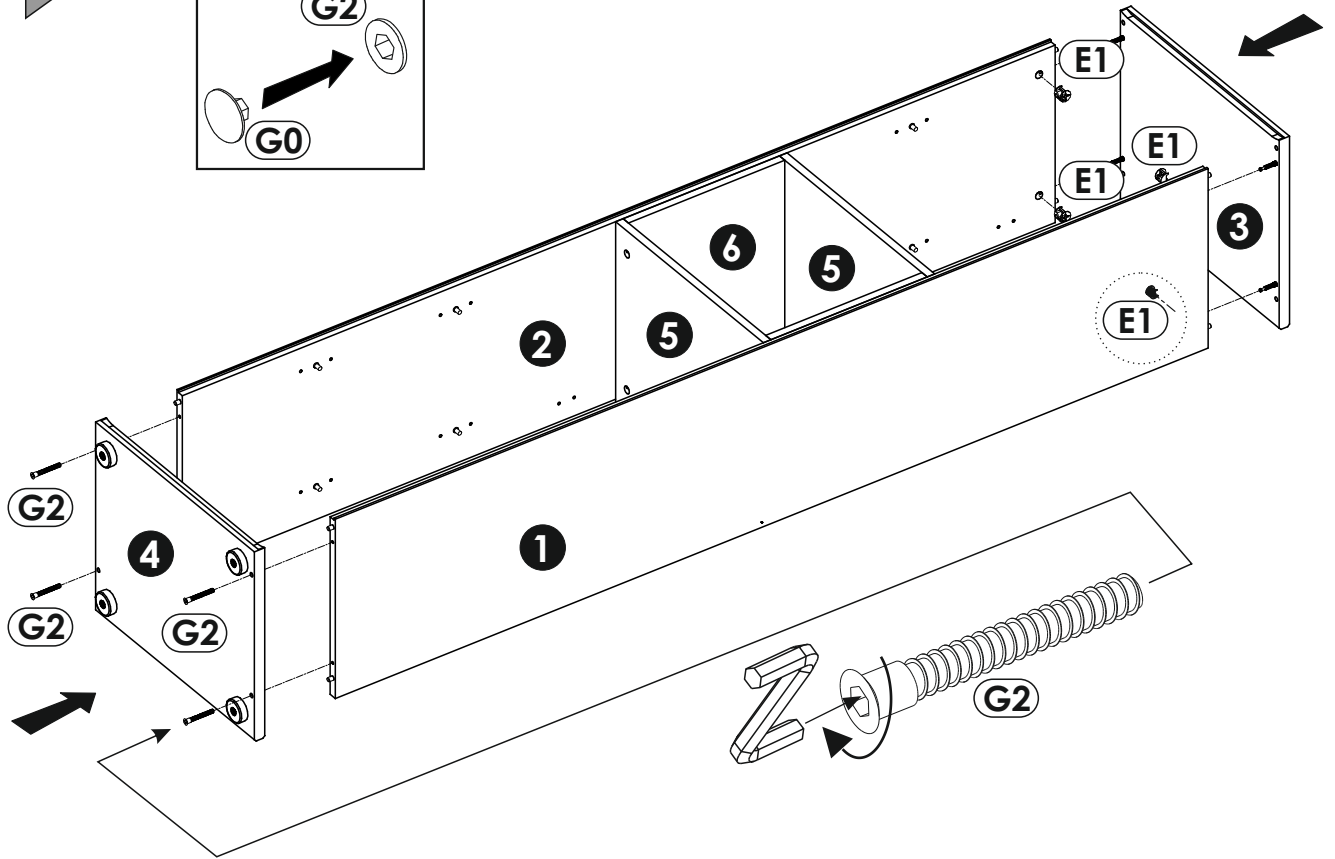
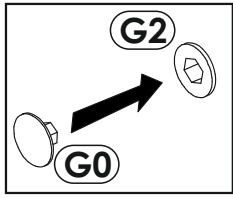
5 ▶



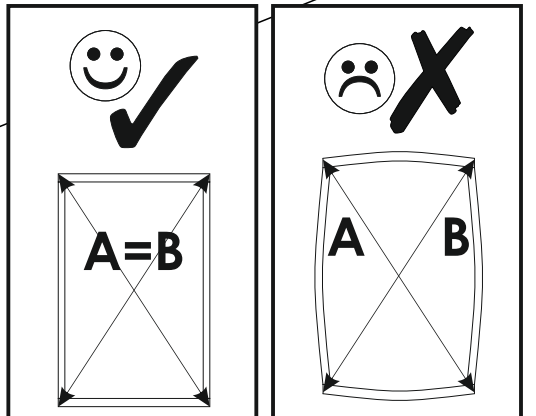
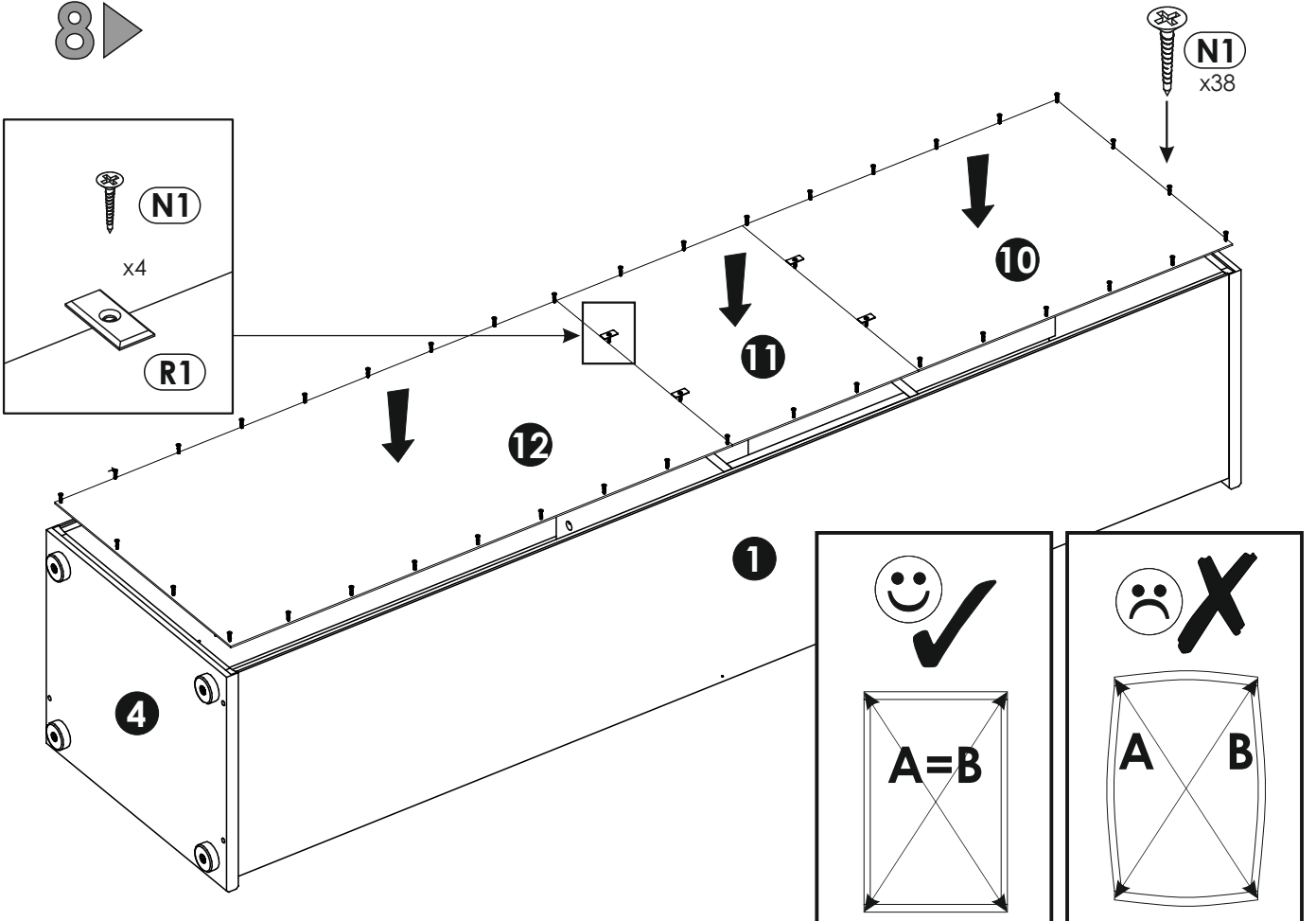
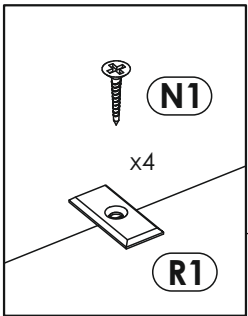
6 ▶



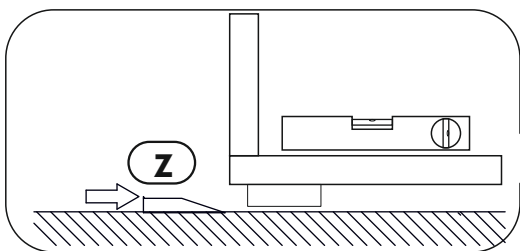
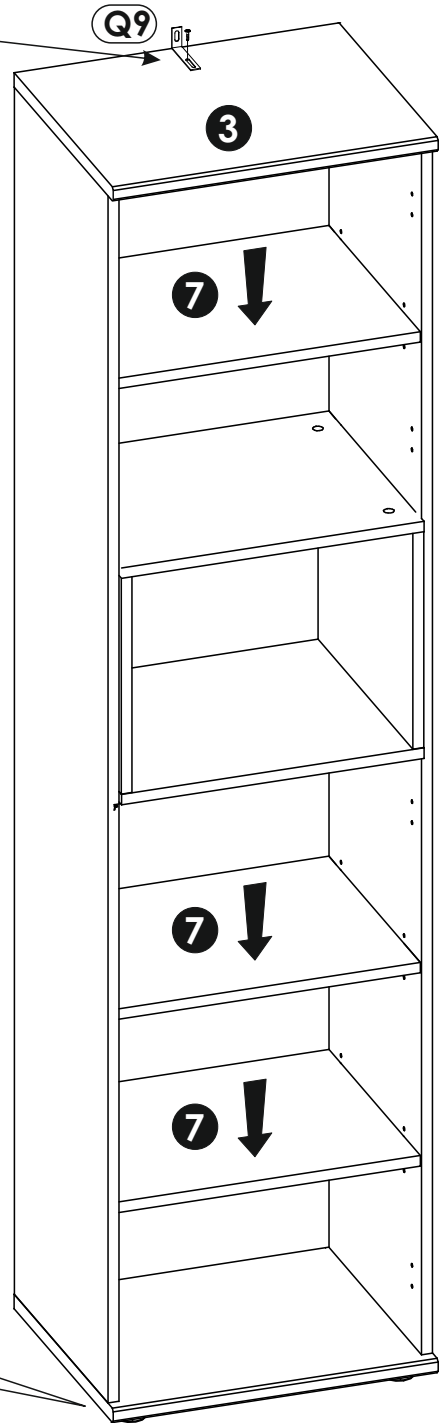
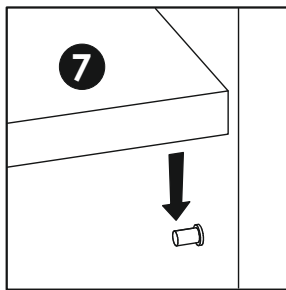
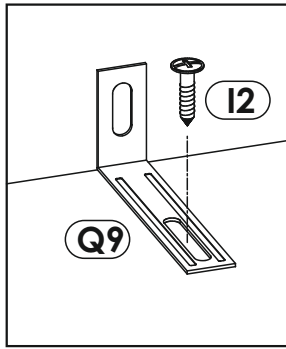
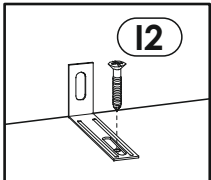
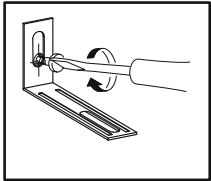
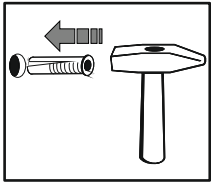
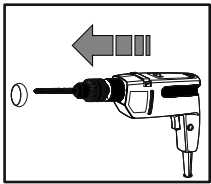
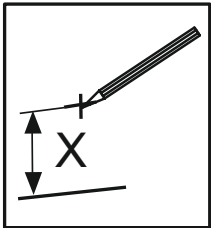
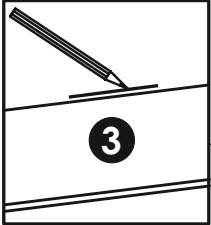
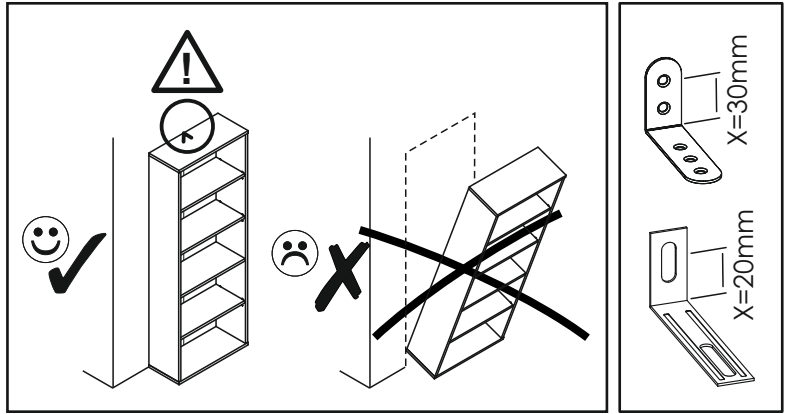
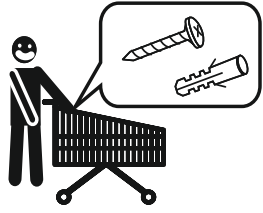
7 ▶

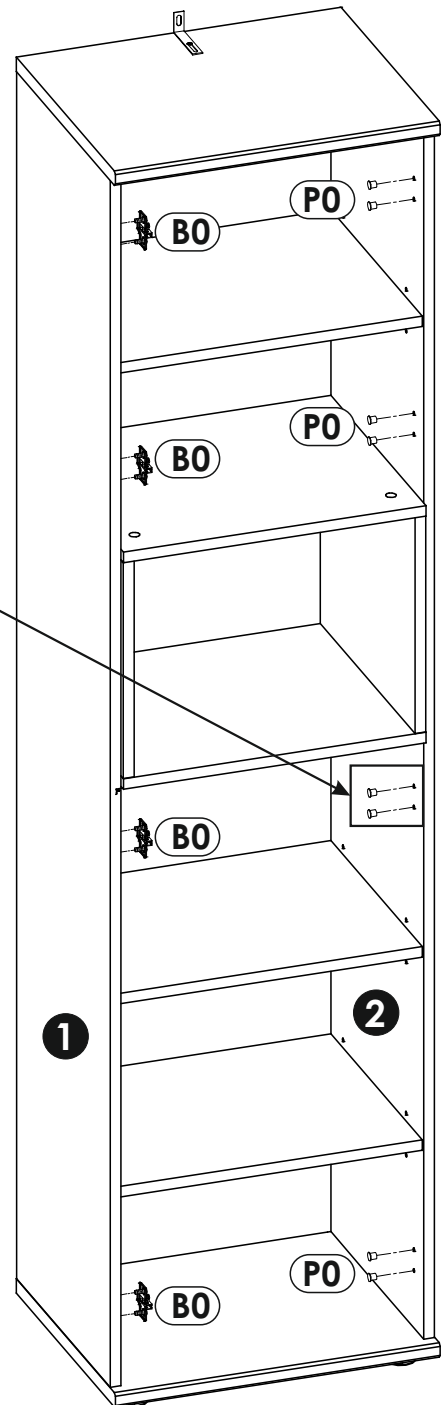
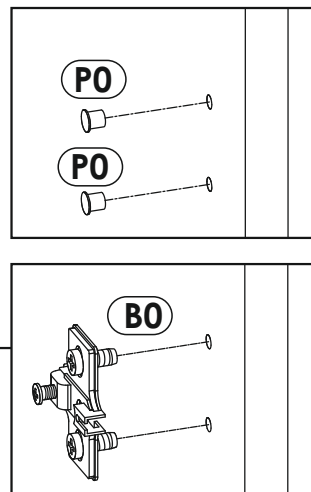
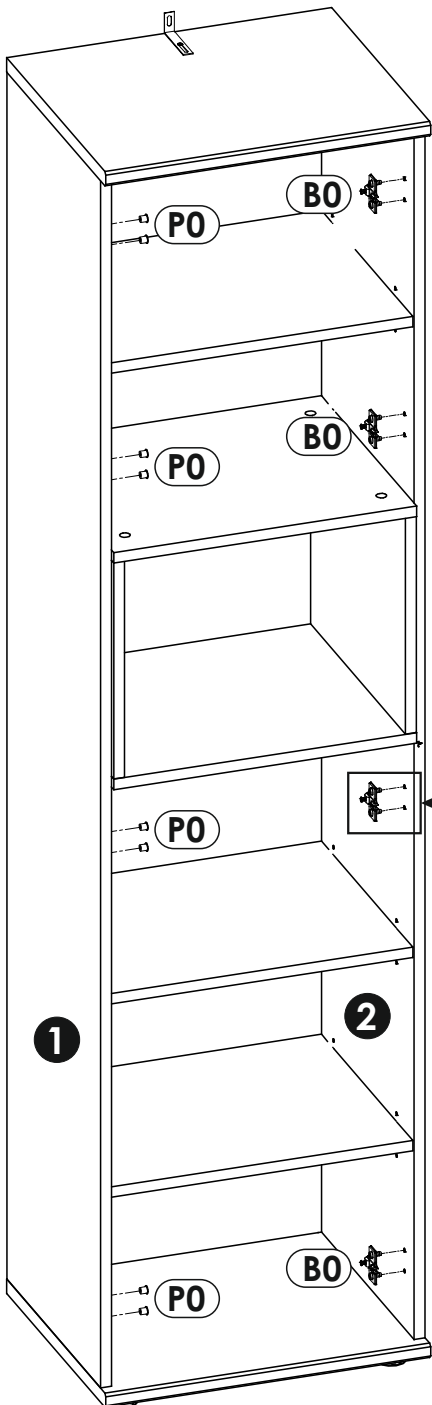
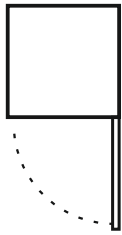


8 ▶

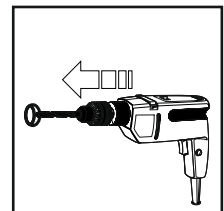
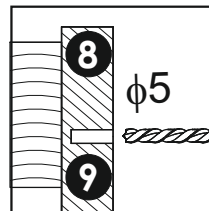
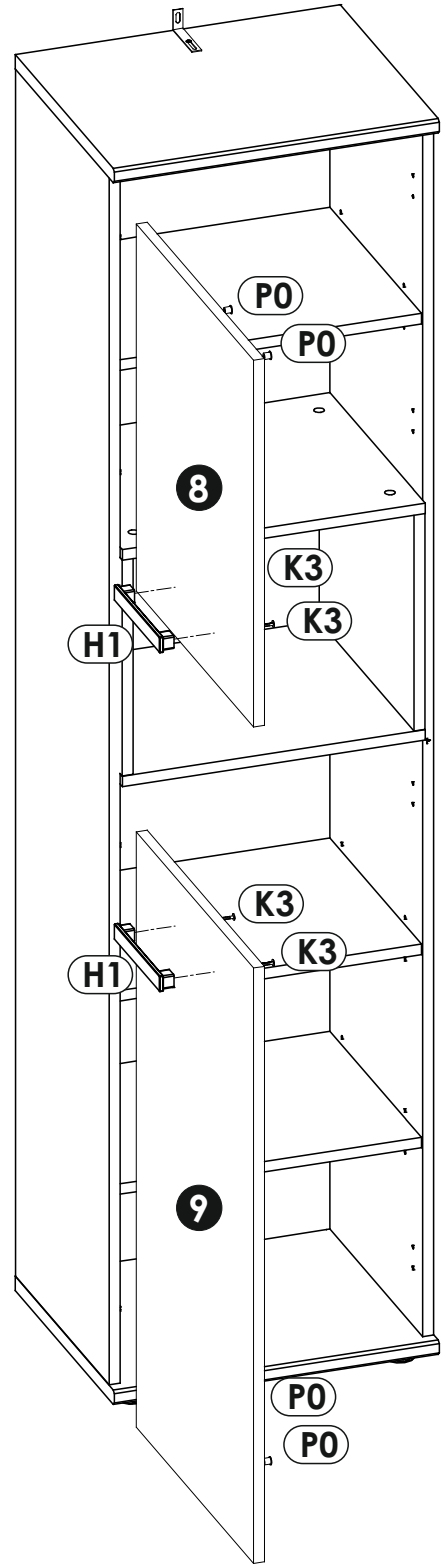
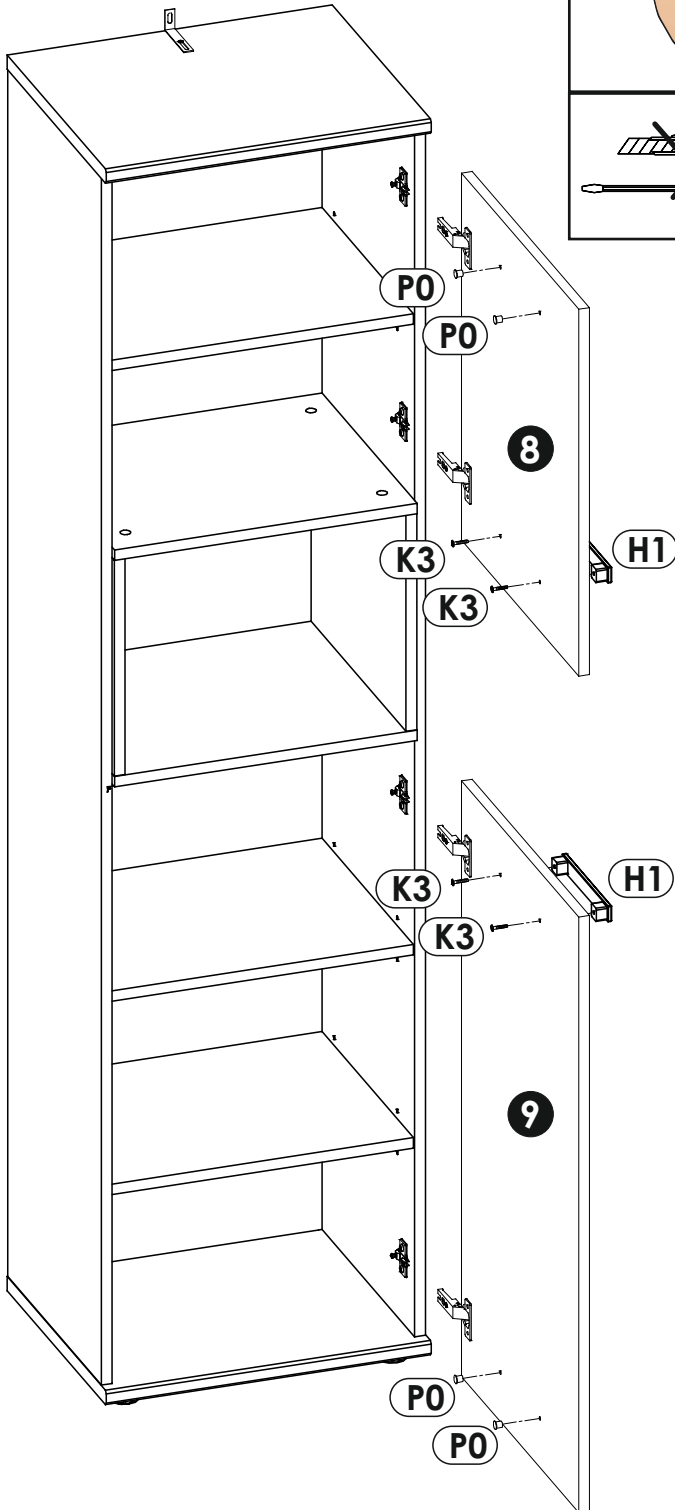
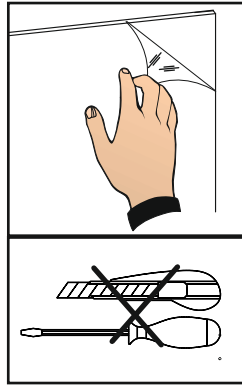
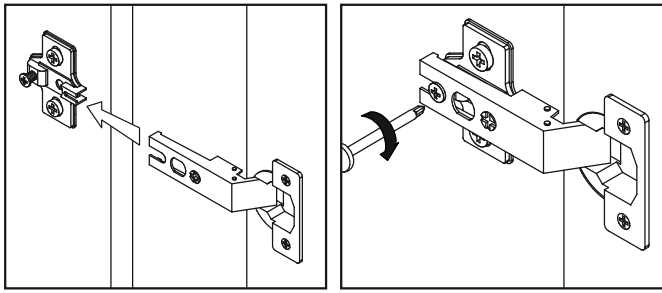


9 ▶

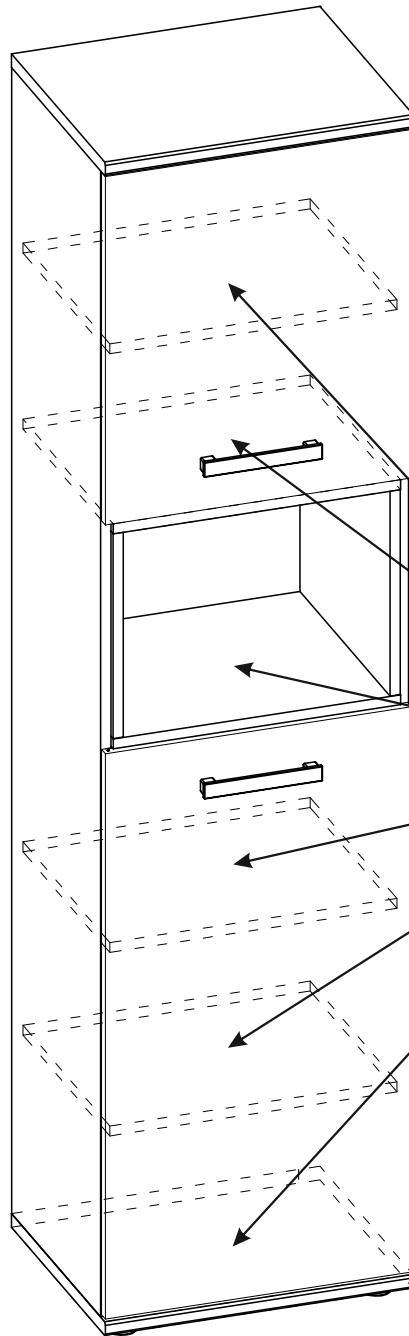
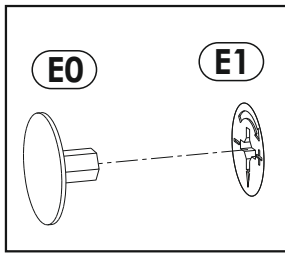




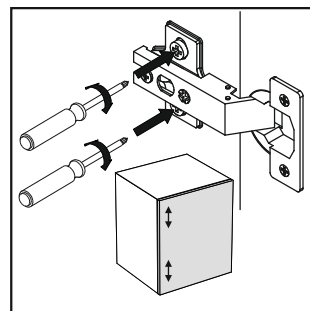
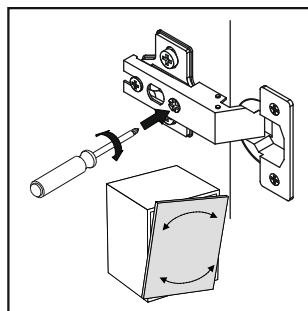
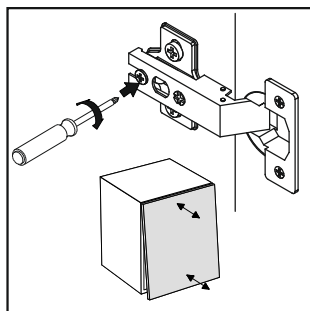
11 ▶

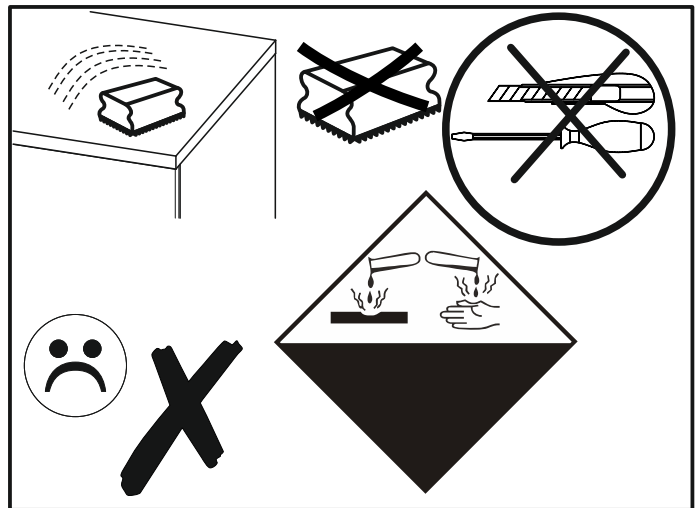
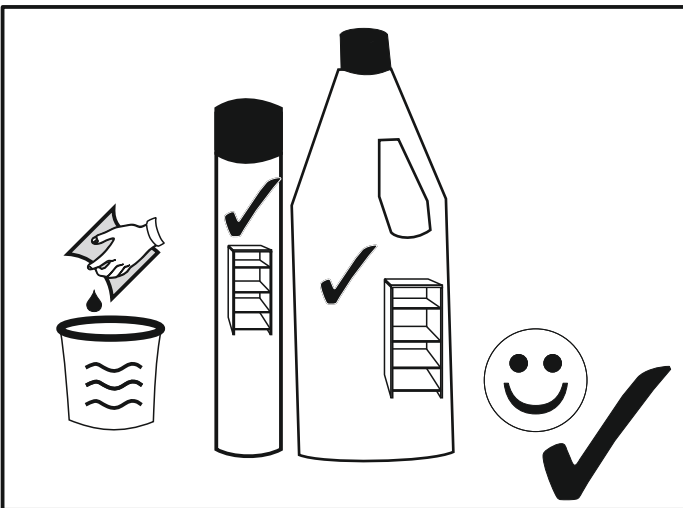
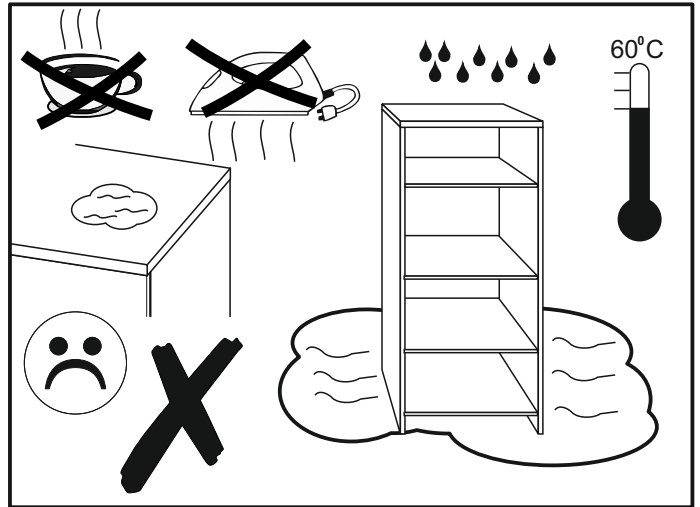
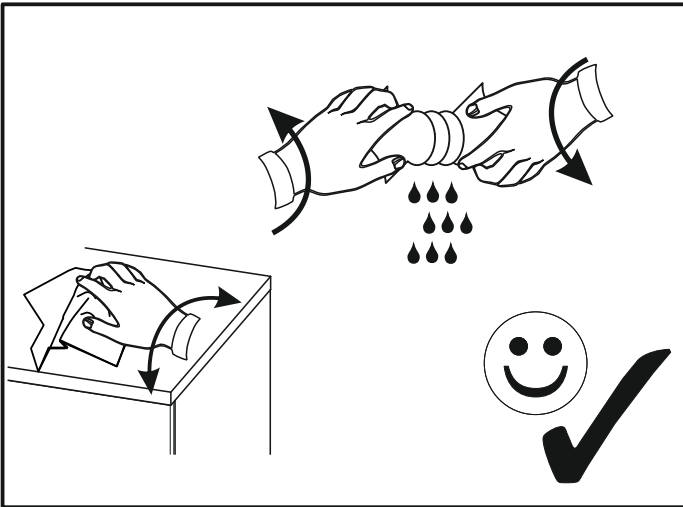
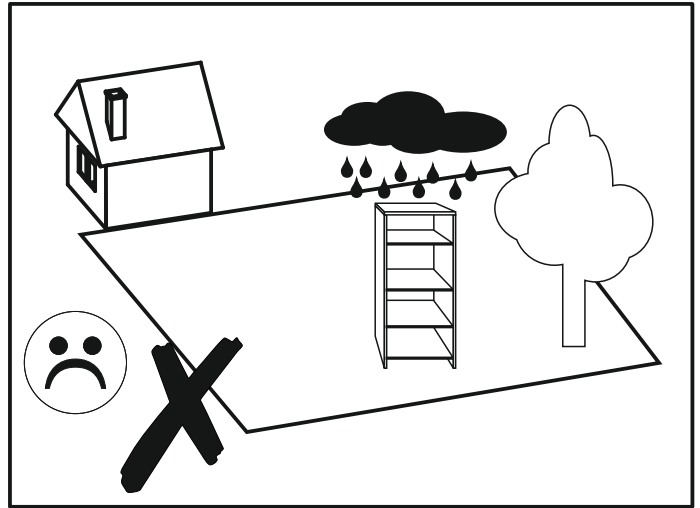
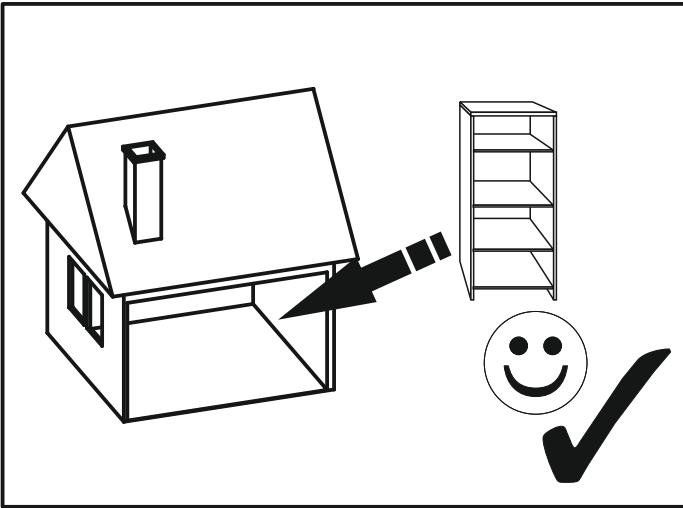


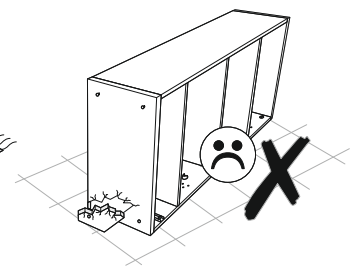
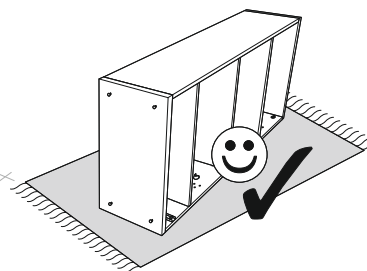
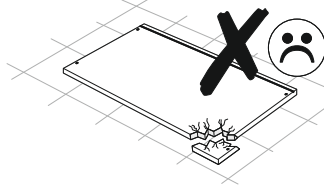
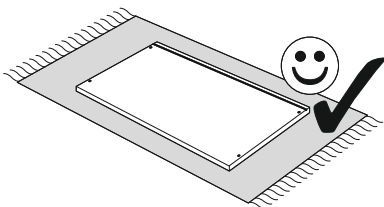
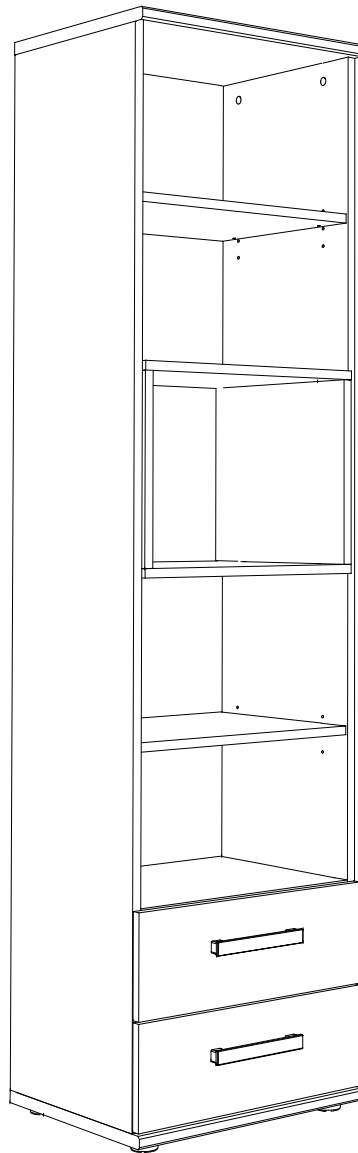
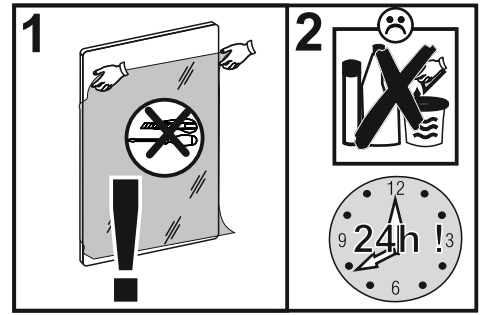
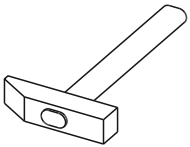
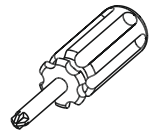
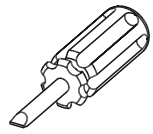
12▶

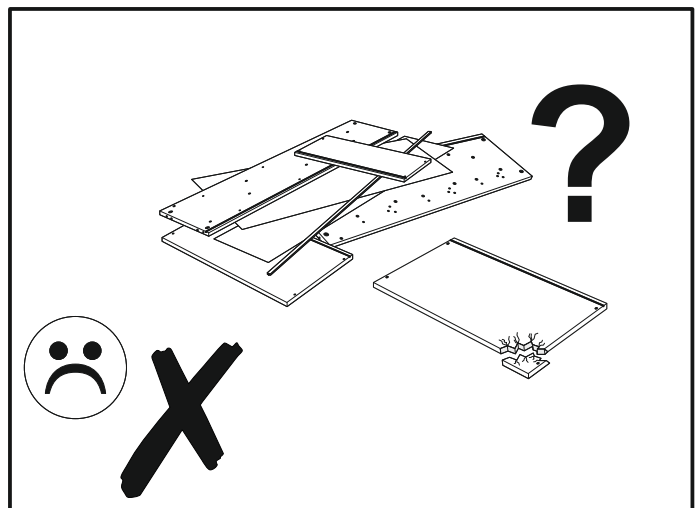
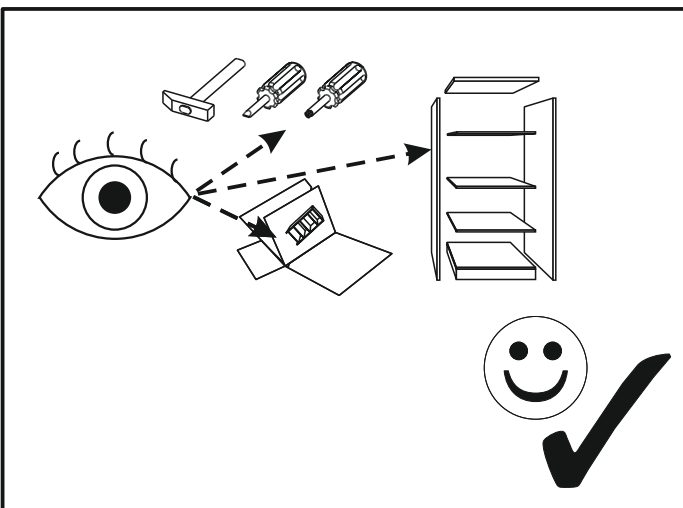
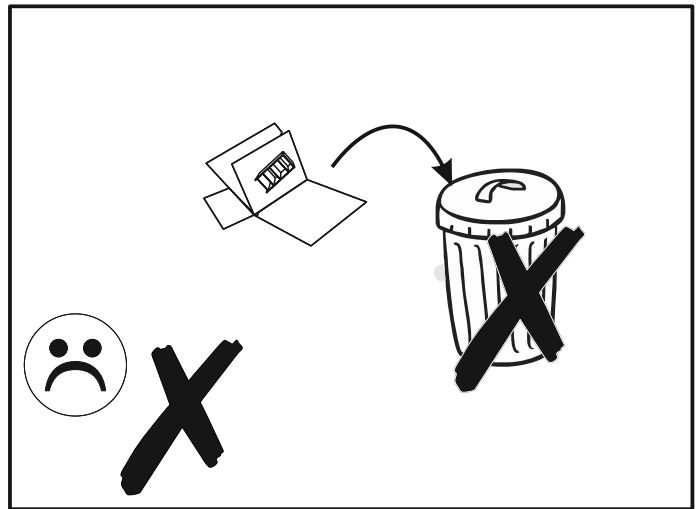
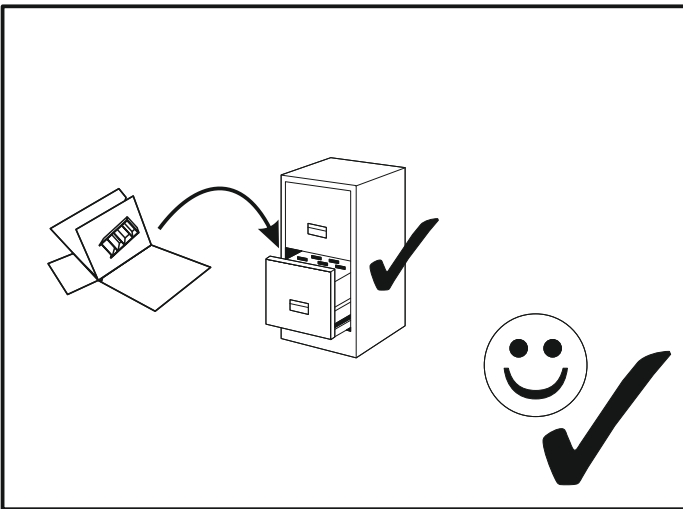
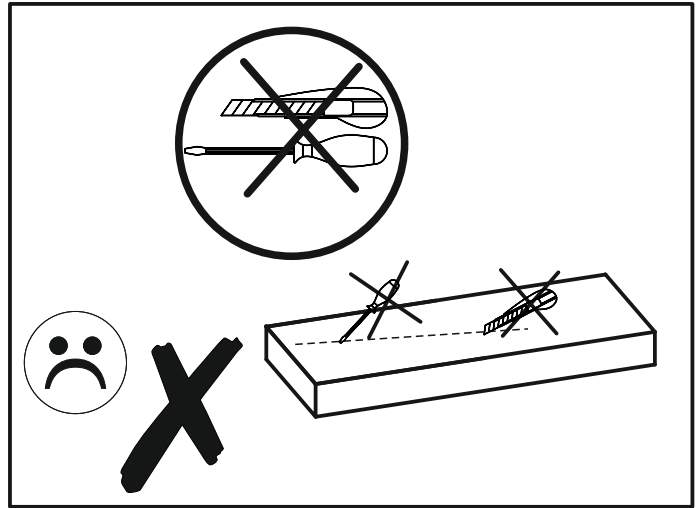
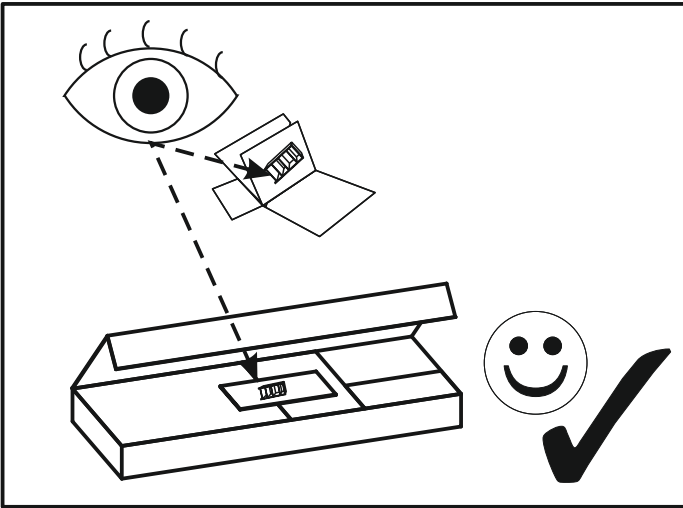




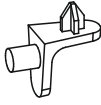
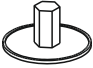









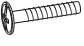
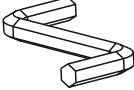

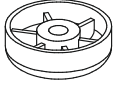

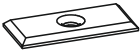
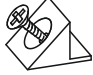


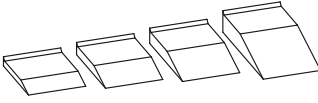
max.
7 kg

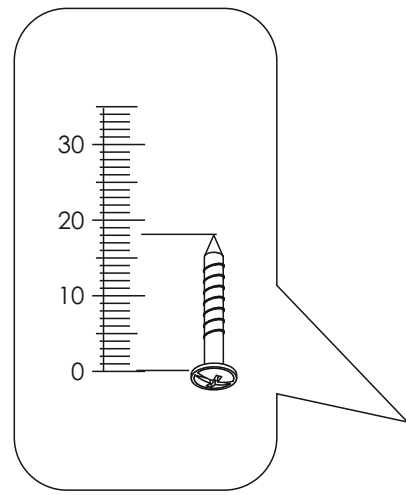
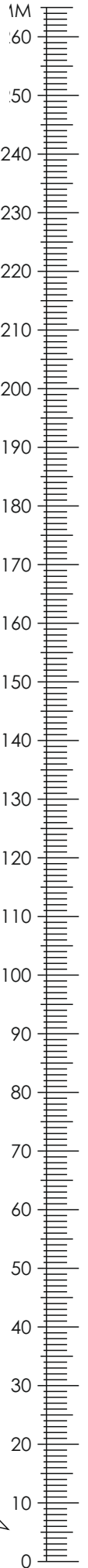


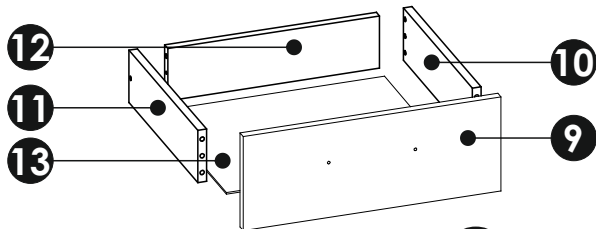
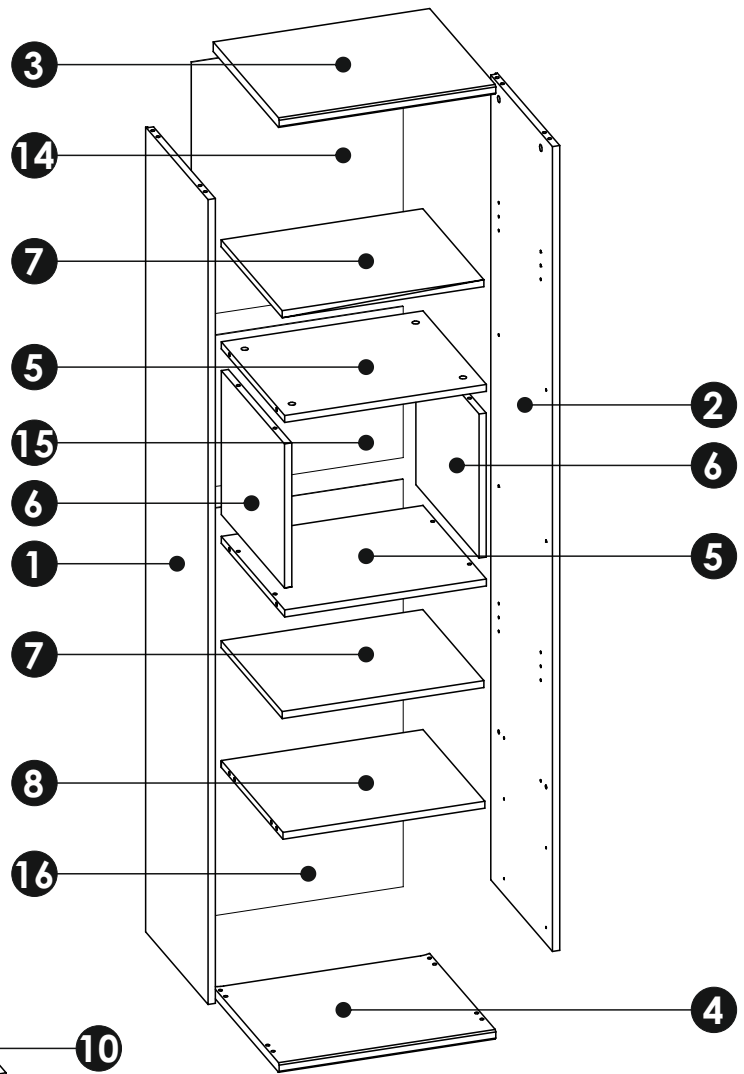
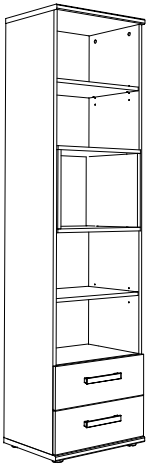






A1 x36 	C2 x8 5 x 13 mm 	D6 x8 
E0 x20 	E1 x20 	F1 x20 
G0 x8 	G1 x4 $\phi 7$ x 50 mm 	G2 x4 $\phi 7$ x 60 mm 
H1 x2 	I2 x1 4 x 16 mm 	J1 x12 3 x 20 mm 
I10 x4 3,5 x 22 mm 	K3 x4 M4 x 22 mm 	M x1 
N1 x60 3 x 16 mm 	O1 x4 	Q9 x1 
R1 x4 	R4 x2 	R8 x4 
T3 x2 L-350 	Z x1 	

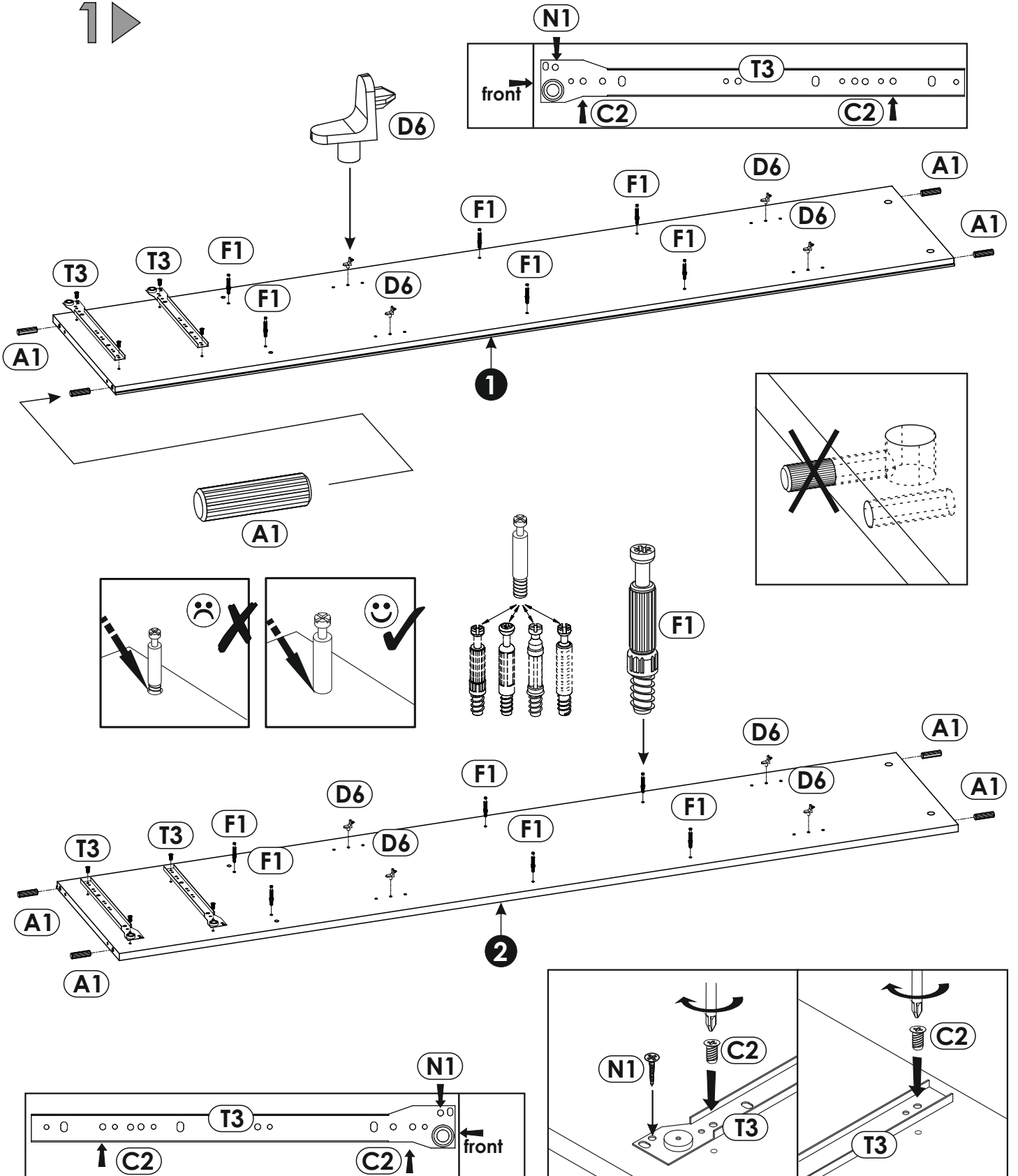
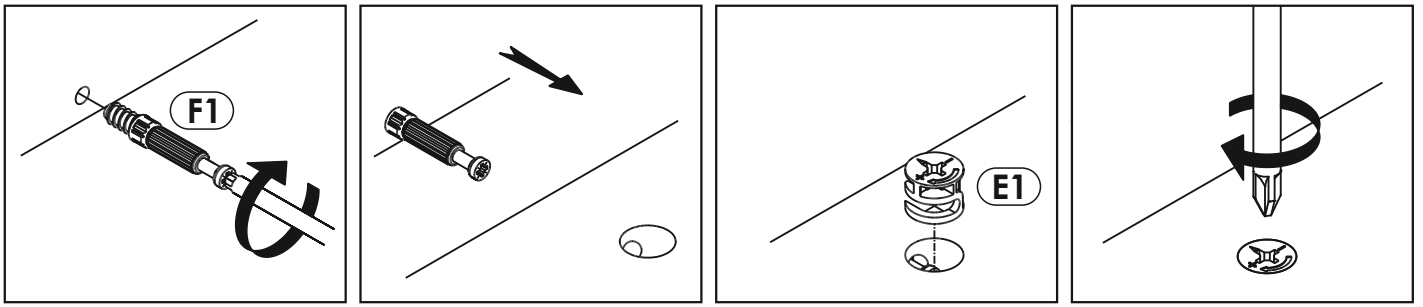




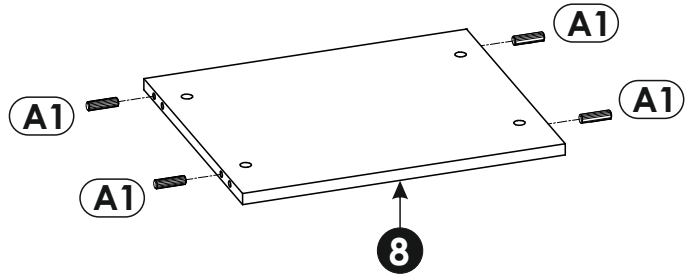
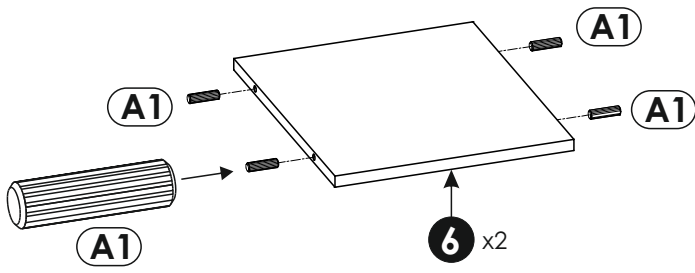
x2

1	1849	380	16	x1	2/2
2	1849	380	16	x1	2/2
3	480	402	22	x1	1/2
4	480	402	22	x1	1/2
5	447	386	16	x2	2/2
6	331	385	16	x2	2/2
7	447	371	16	x2	2/2
8	447	376	16	x1	2/2

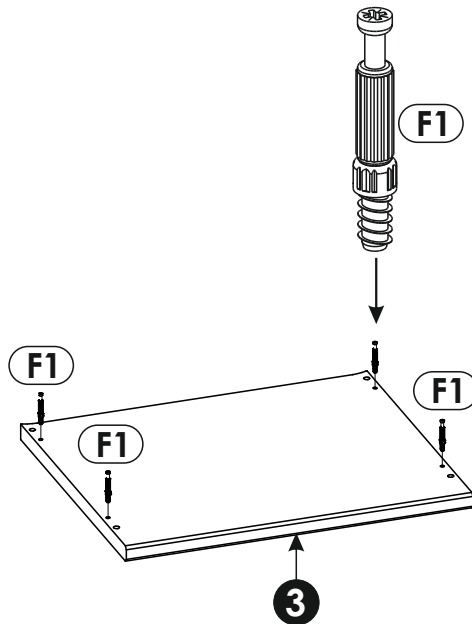
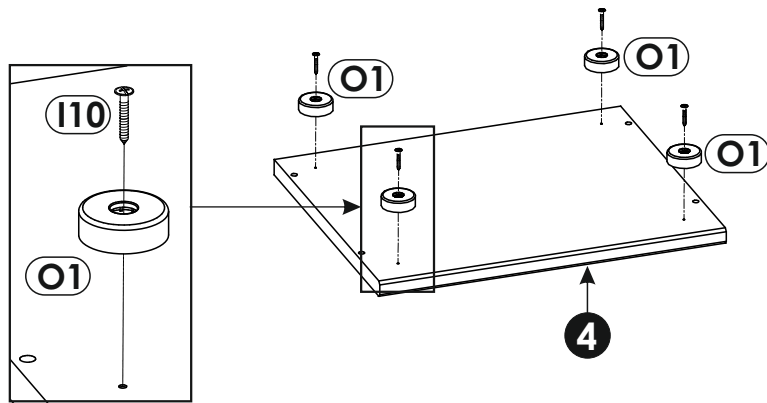
9	476	180	16	x2	1/2
10	350	100	16	x2	1/2
11	350	100	16	x2	1/2
12	391	100	16	x2	1/2
13	421	355	3	x2	1/2
14	587	469	3	x1	1/2
15	469	347	3	x1	1/2
16	937	469	3	x1	1/2



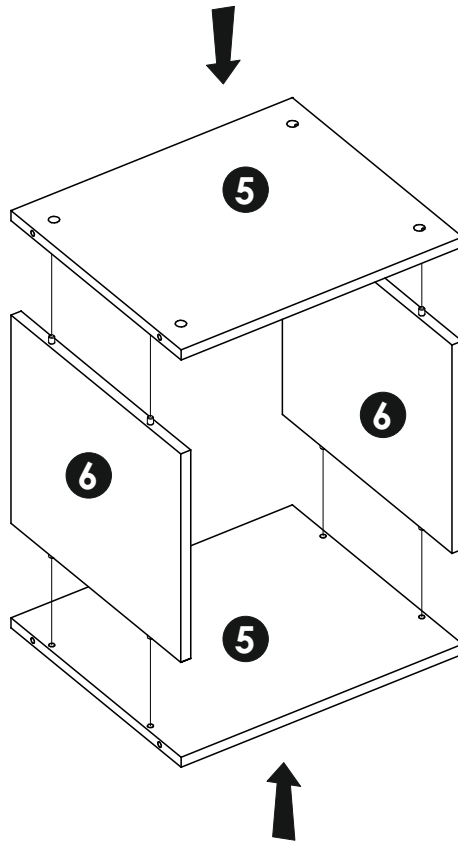
2 ▶



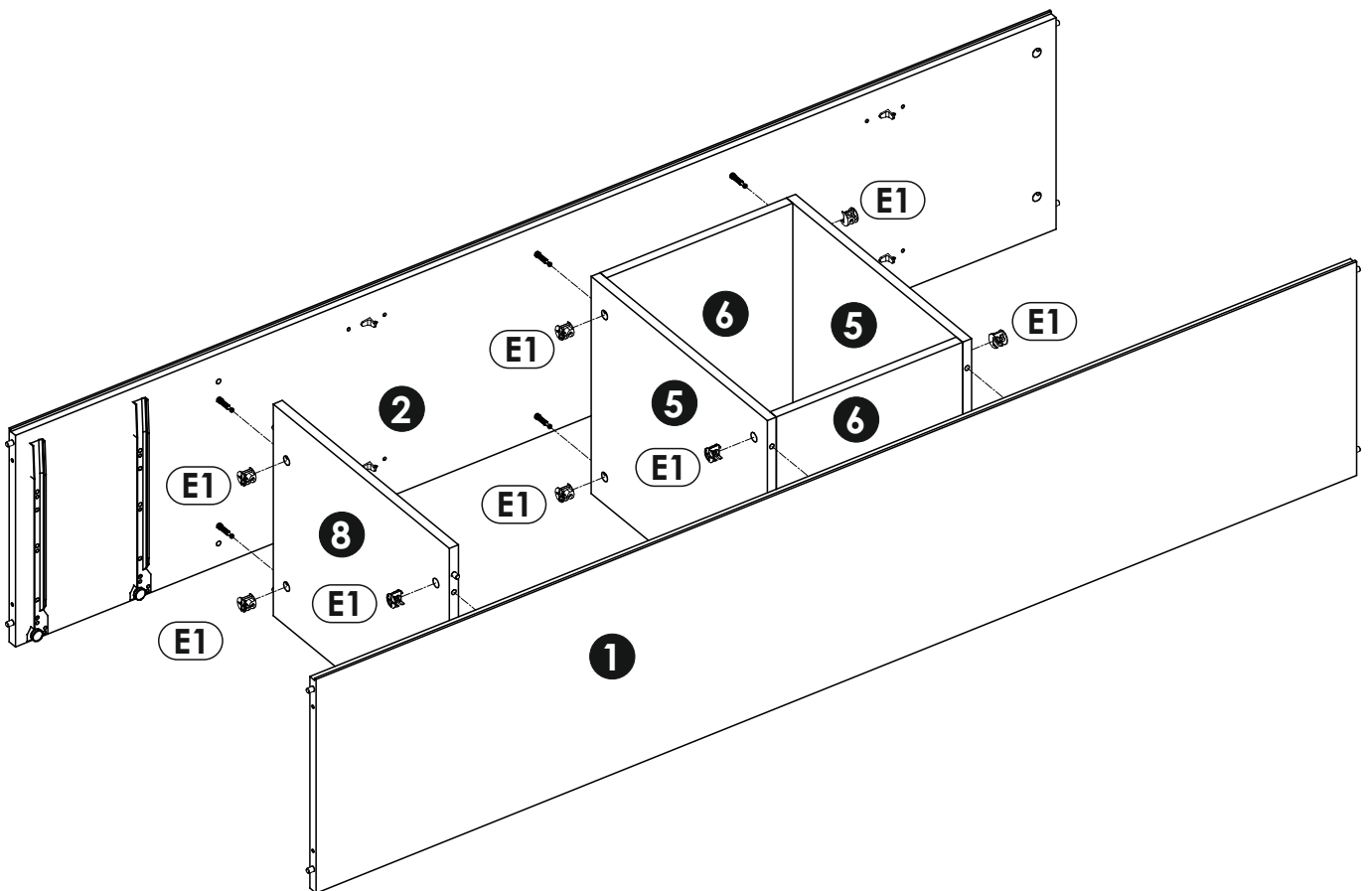
3 ▶



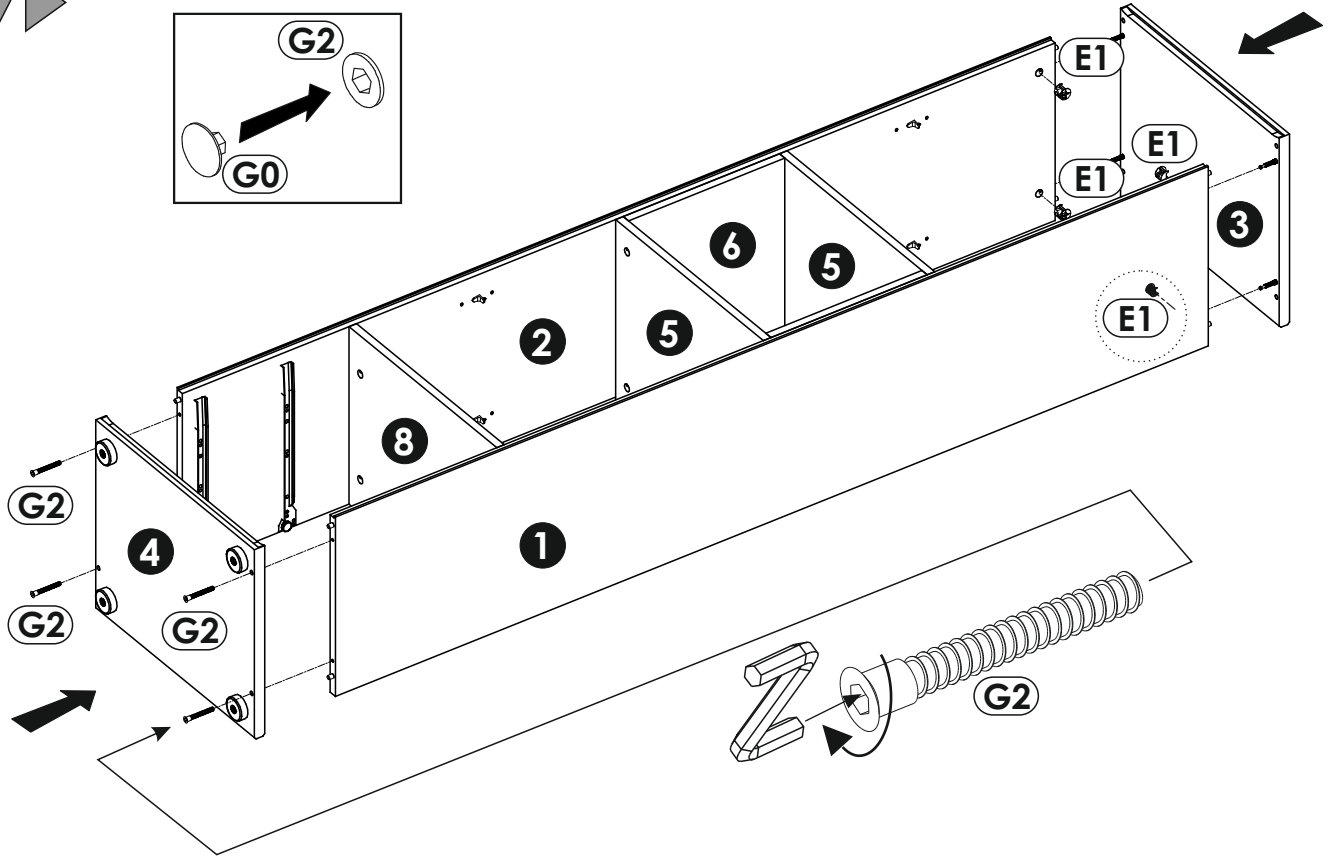
7 ▶



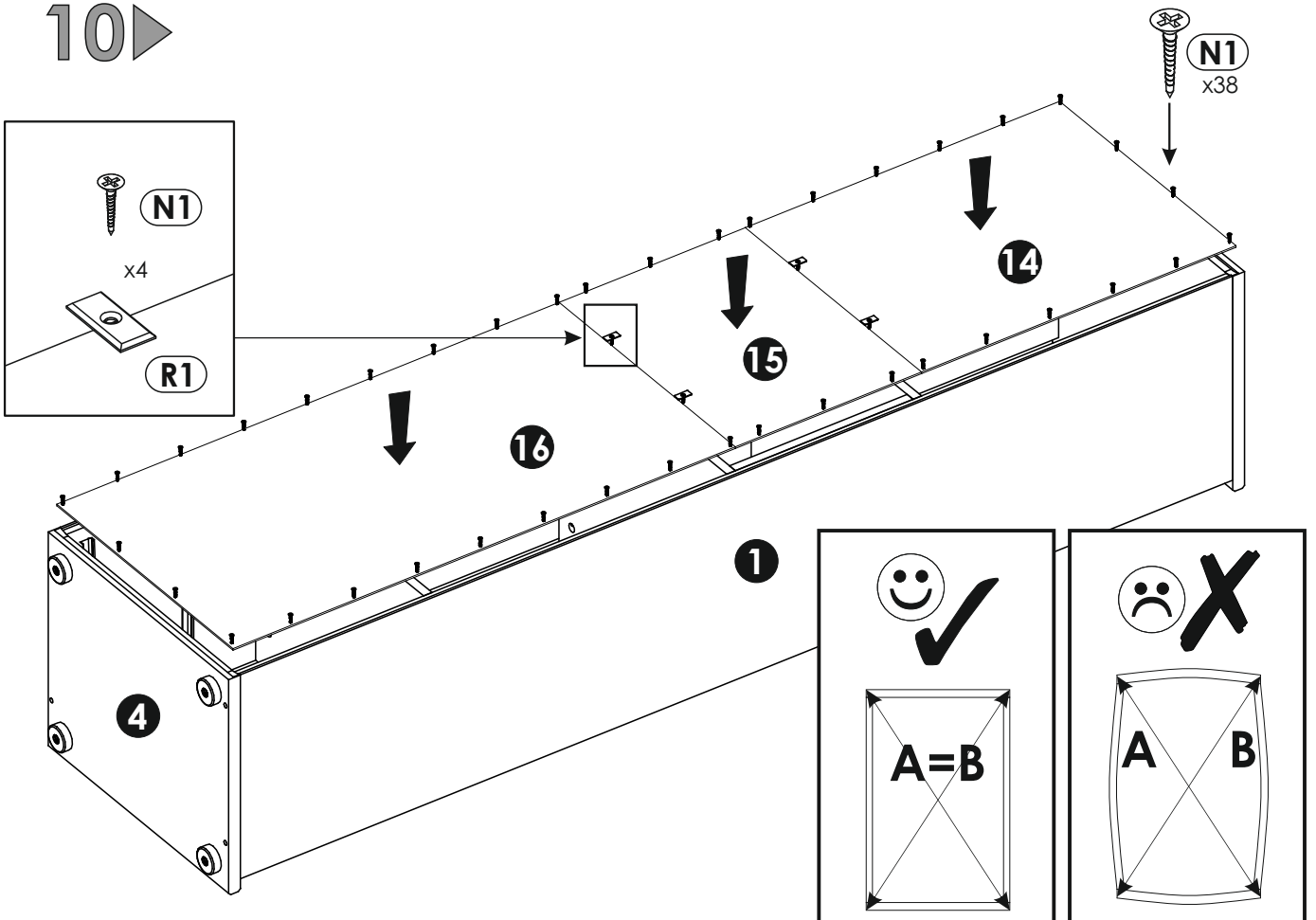
8 ▶



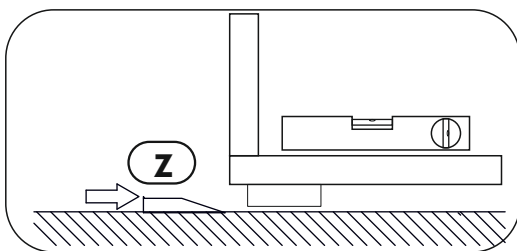
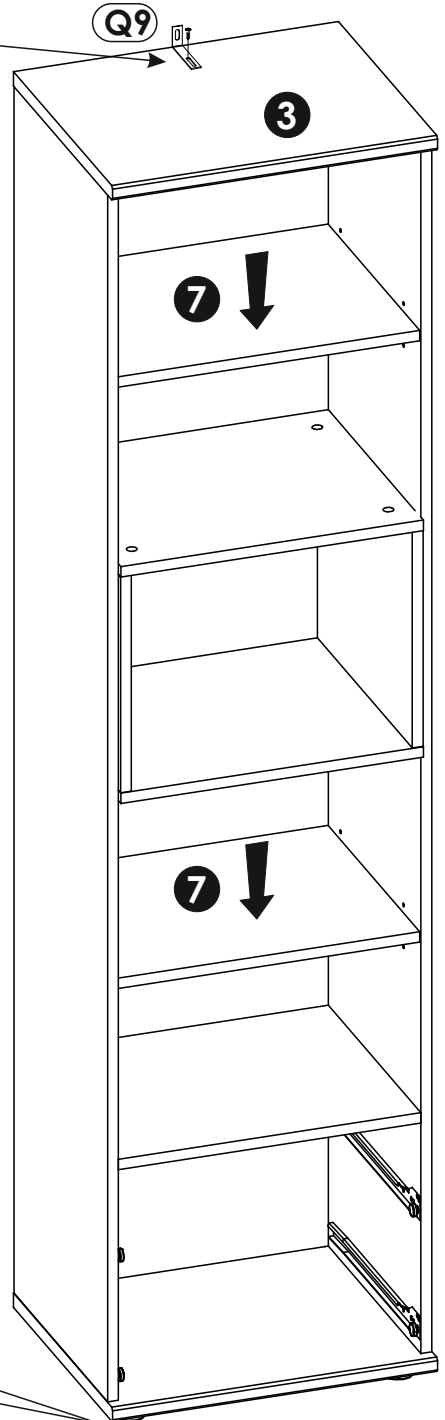
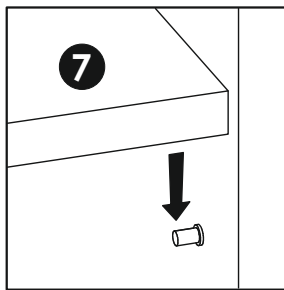
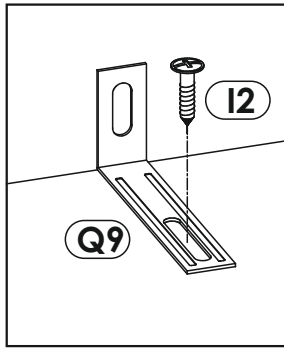
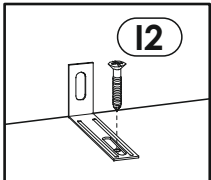
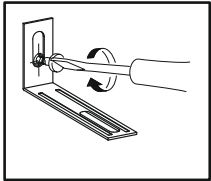
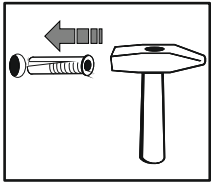
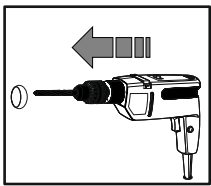
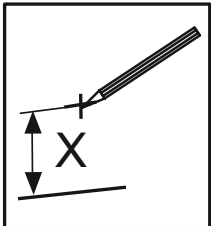
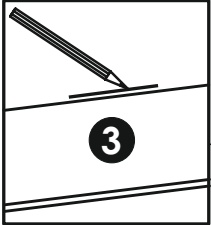
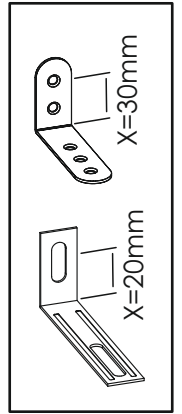
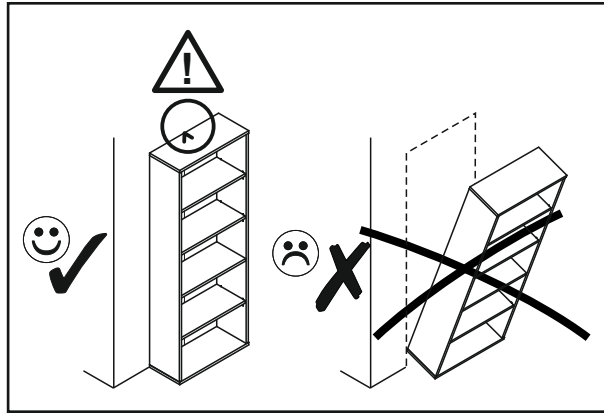
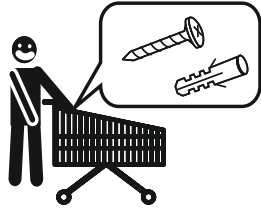
9 ▶



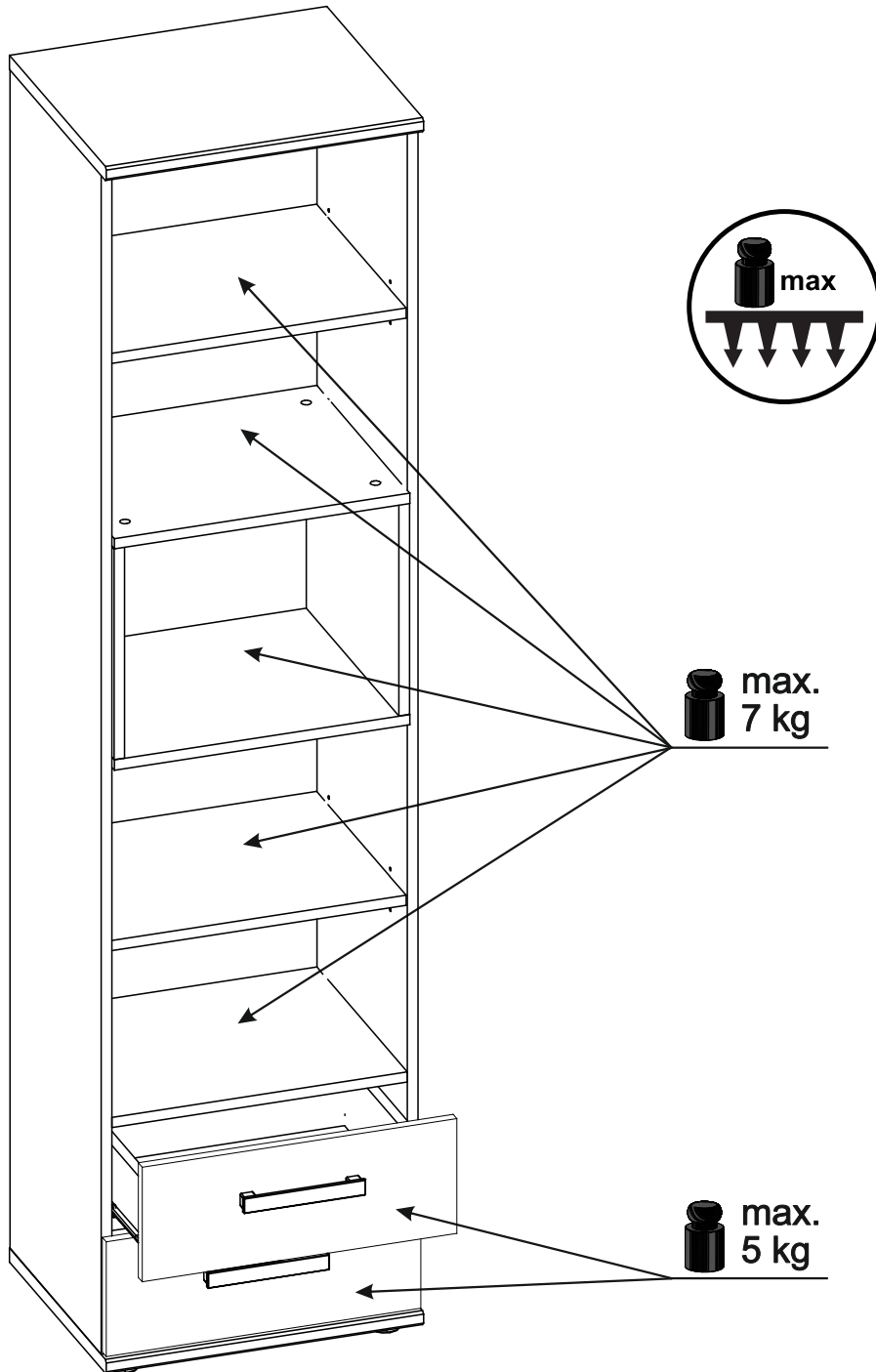
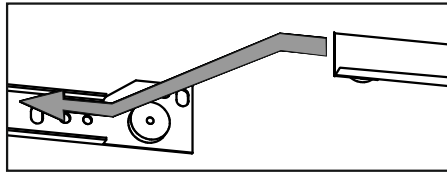
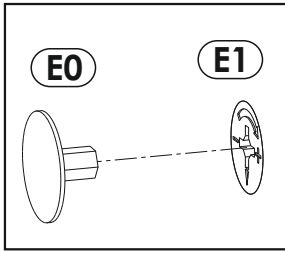
10 ▶

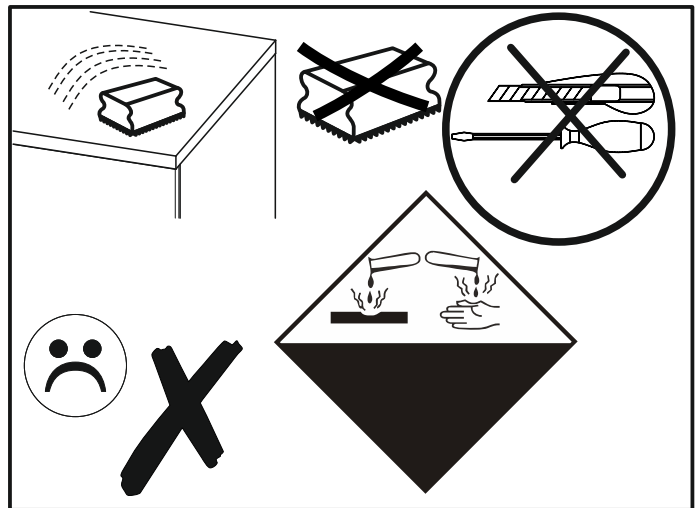
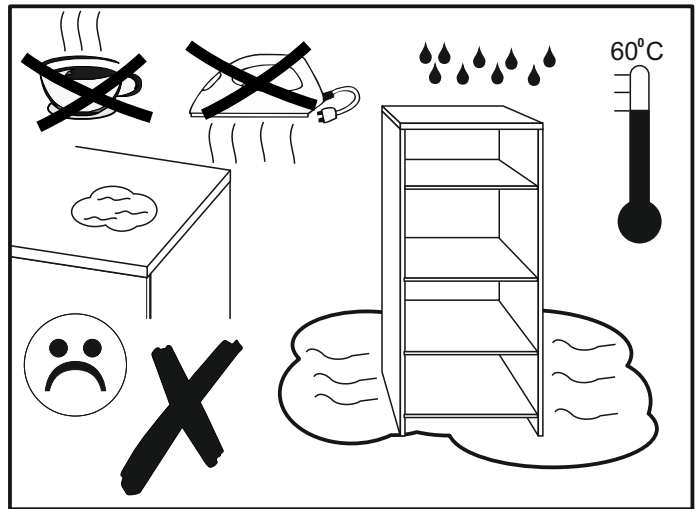


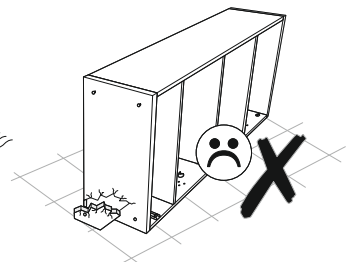
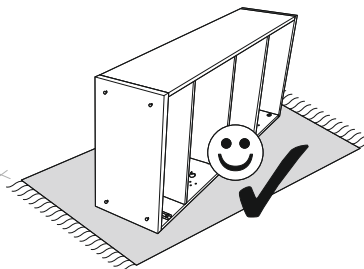
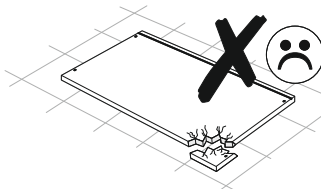
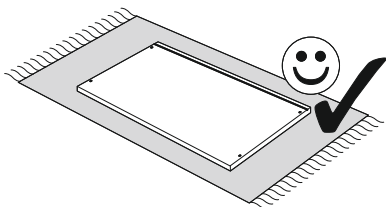
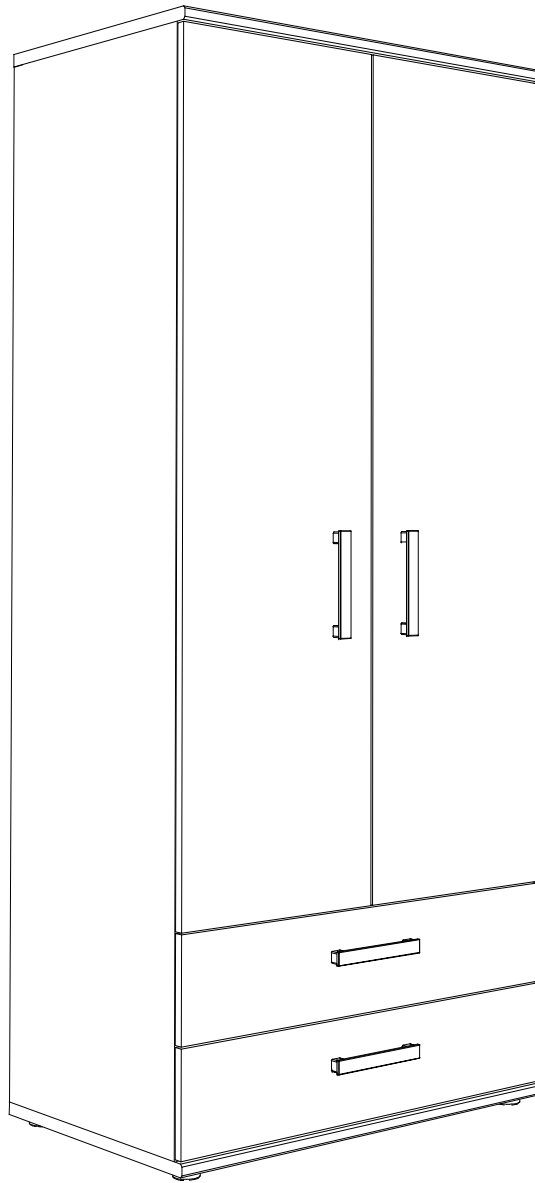
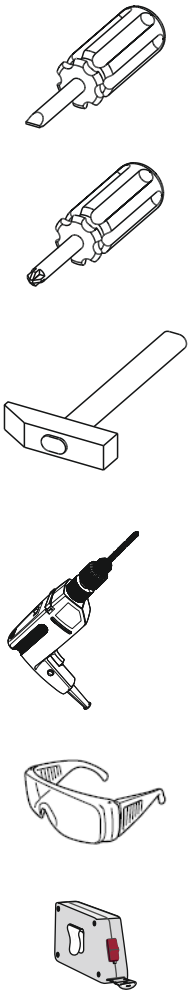
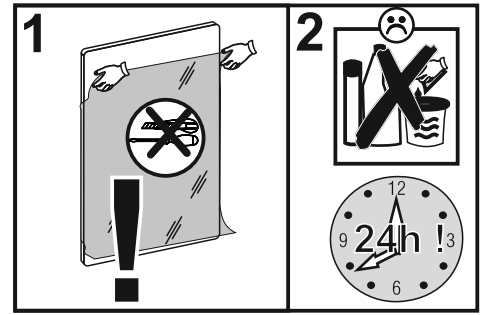
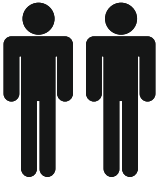
11 ▶

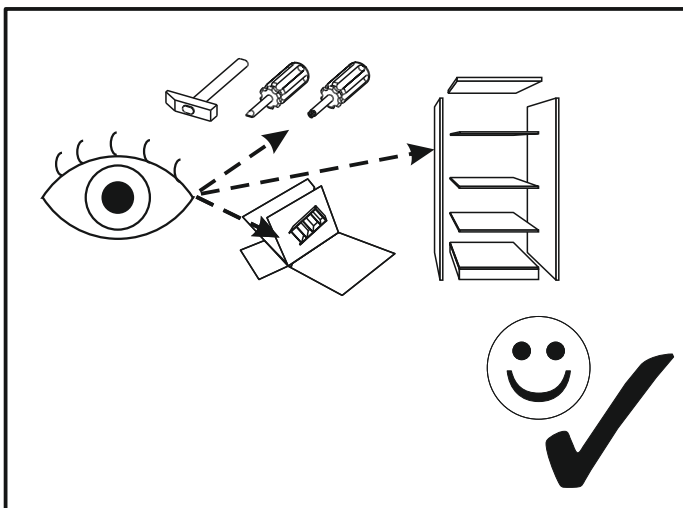
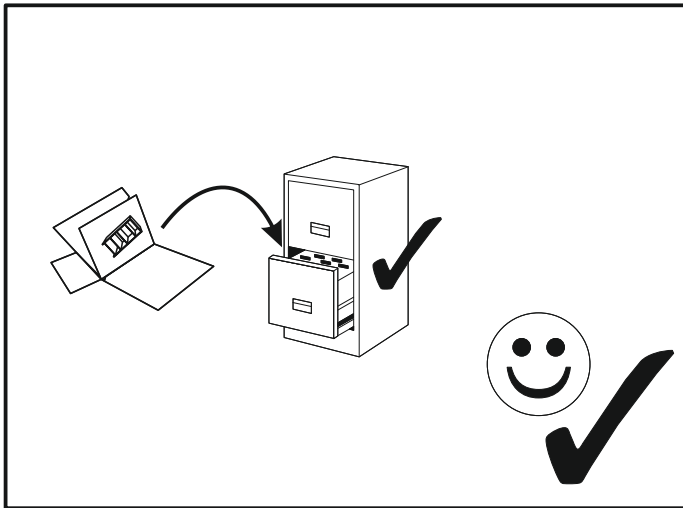
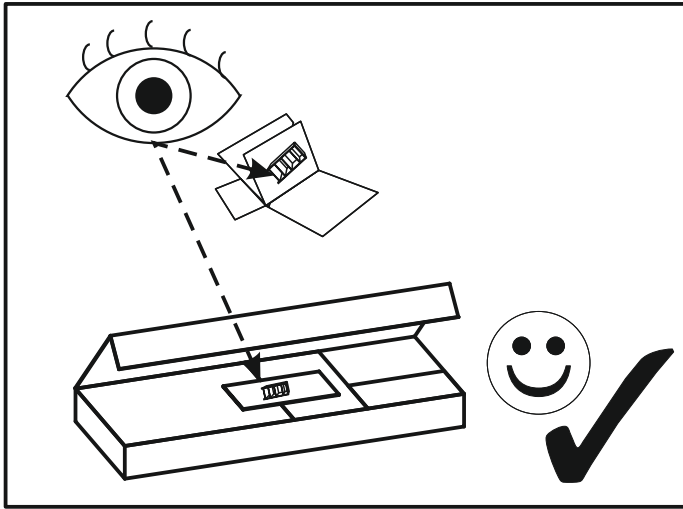


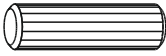
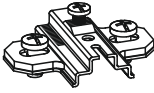
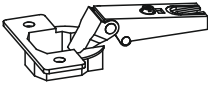












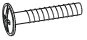
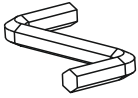


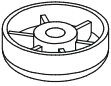


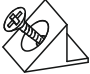


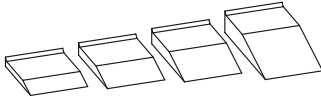

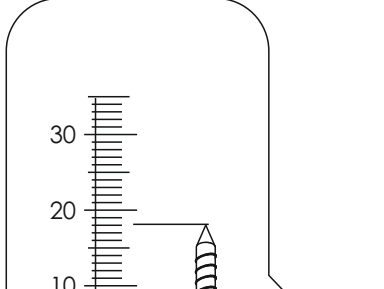
12▶

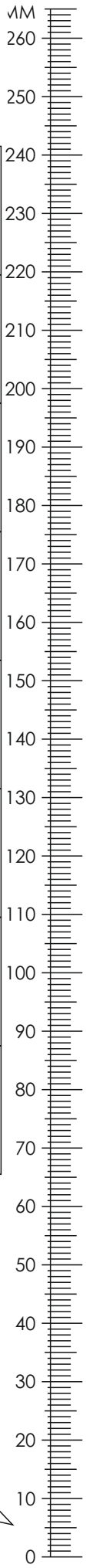


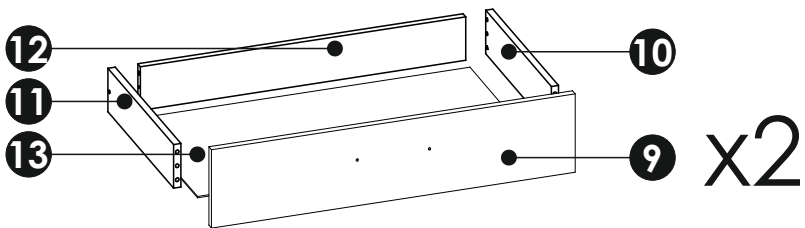
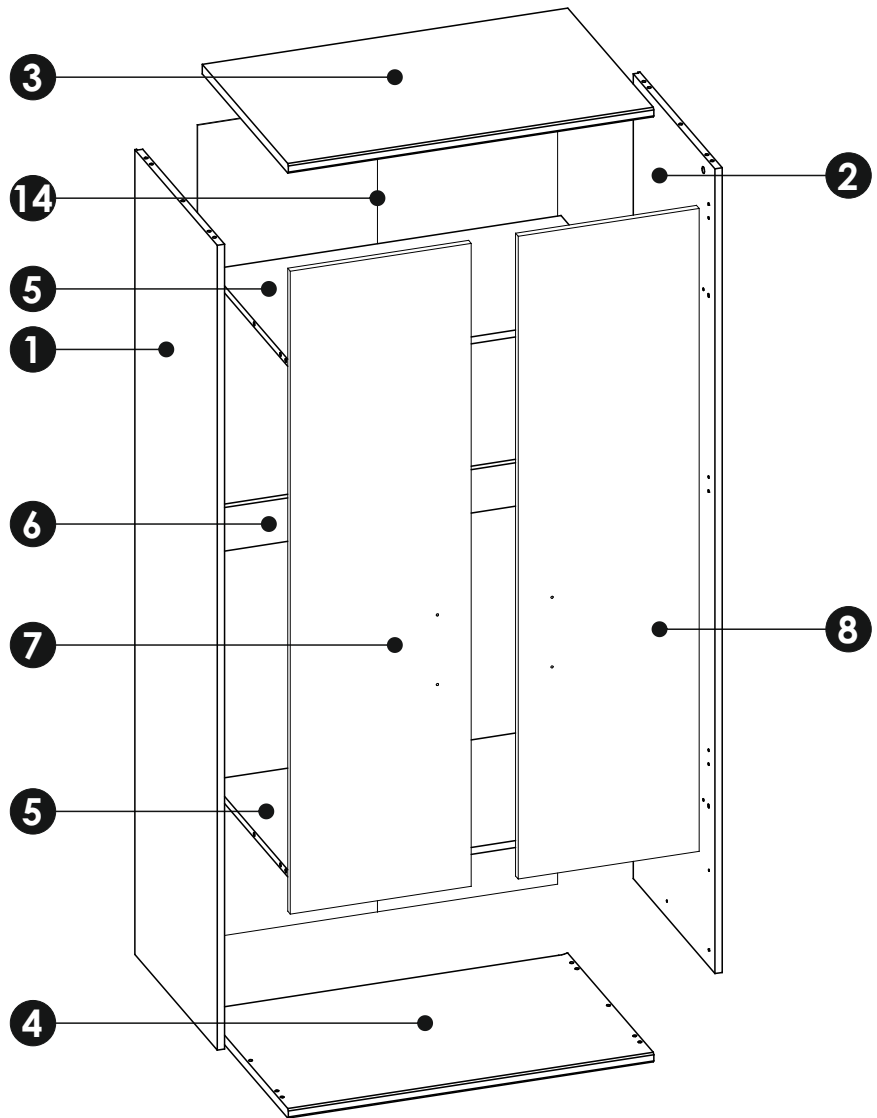
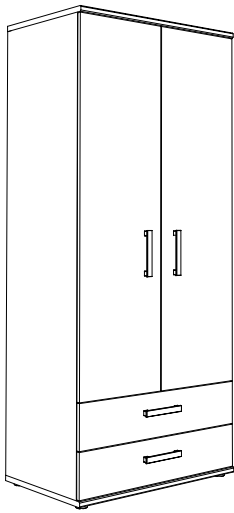






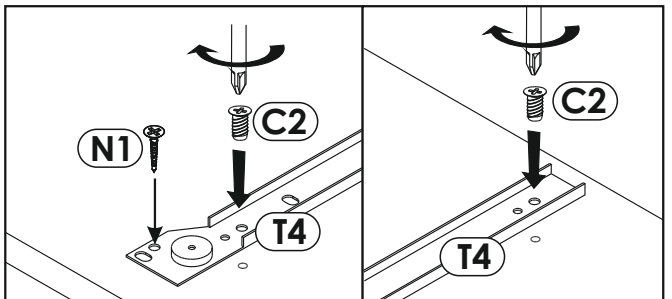
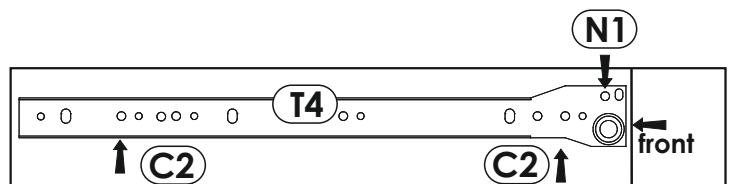
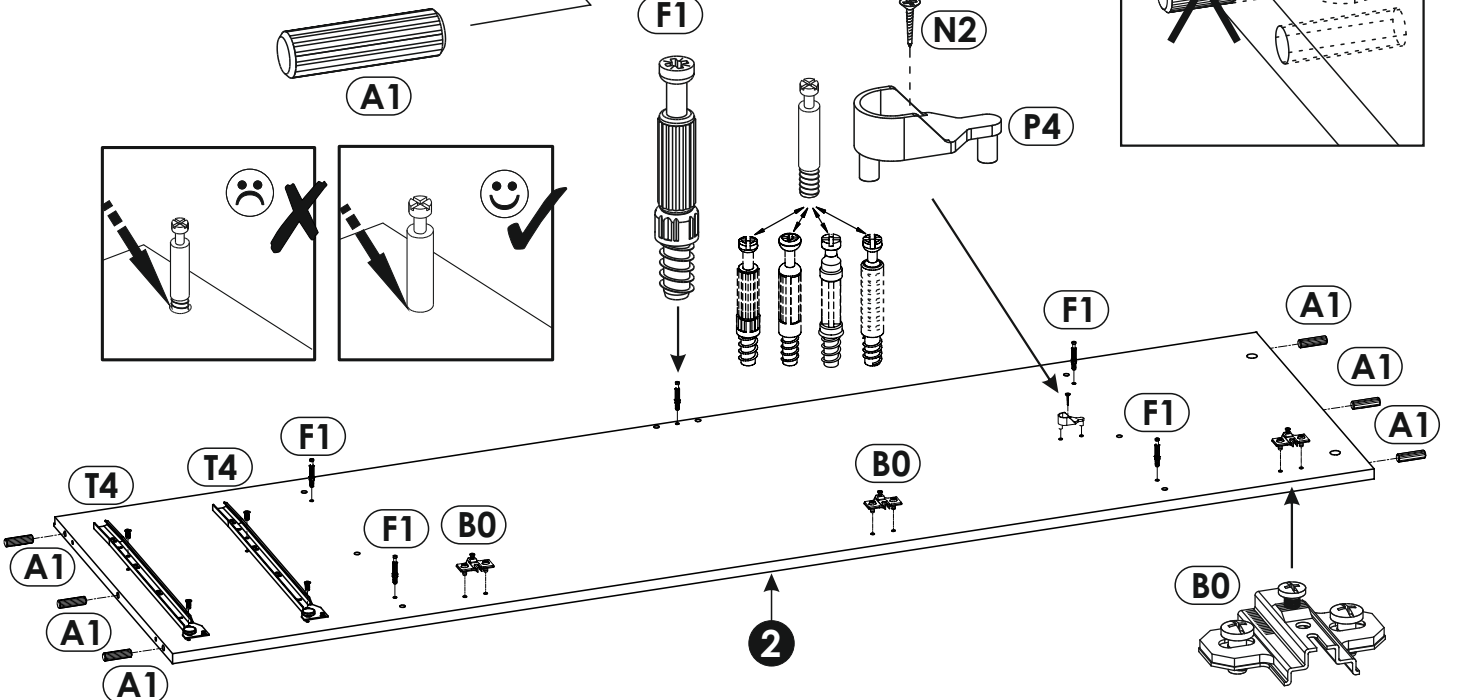
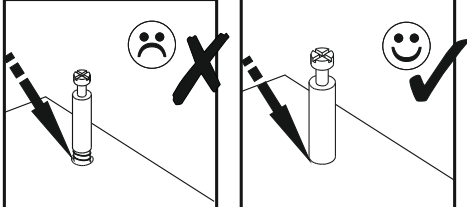
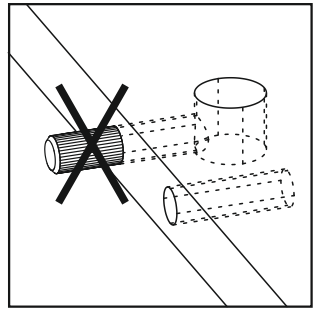
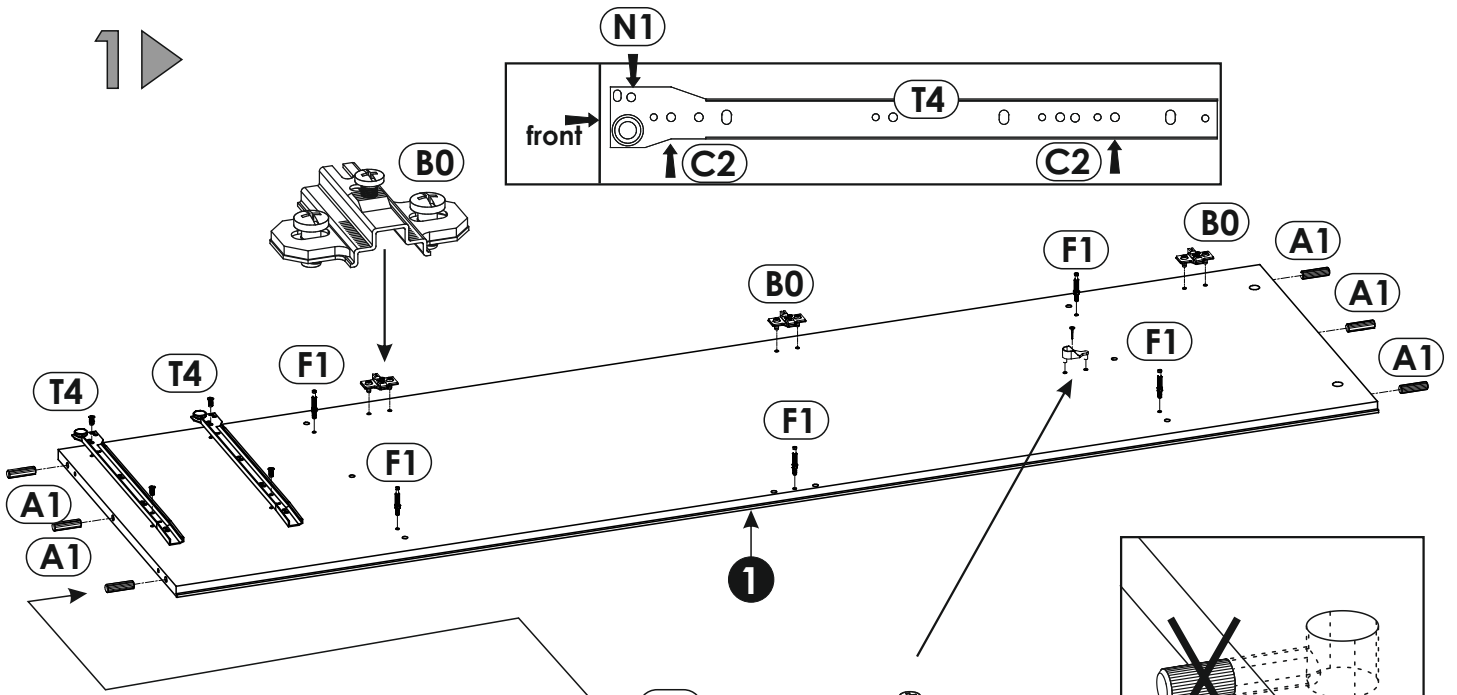
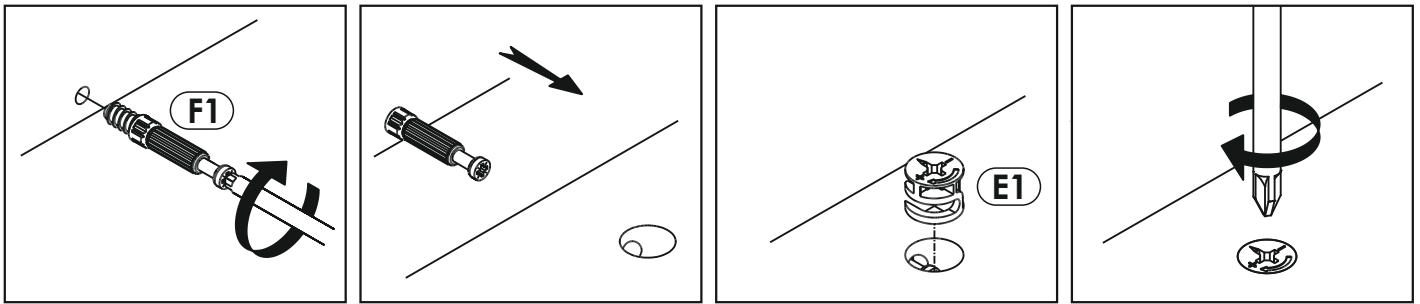
A1 x44 	B0 x6 	B1 x6 
C1 x12 EURO 4 x 13 mm 	C2 x8 EURO 5 x 13 mm 	E0 x18 
E1 x18 	F1 x18 	G0 x8 
G1 x4 $\phi 7 \times 50$ mm 	G2 x4 $\phi 7 \times 60$ mm 	H1 x4 
I2 x2 4 x 16 mm 	J1 x12 3 x 20 mm 	I10 x5 3,5 x 22 mm 
K3 x8 M4 x 22 mm 	M x1 	N1 x70 3 x 16 mm 
N2 x2 3,5 x 16 mm 	O1 x5 	P4 x2 
Q9 x2 	R4 x2 	R8 x8 
T4 x2 L-400 	Z x1 	
Z1 x1 L-767 		



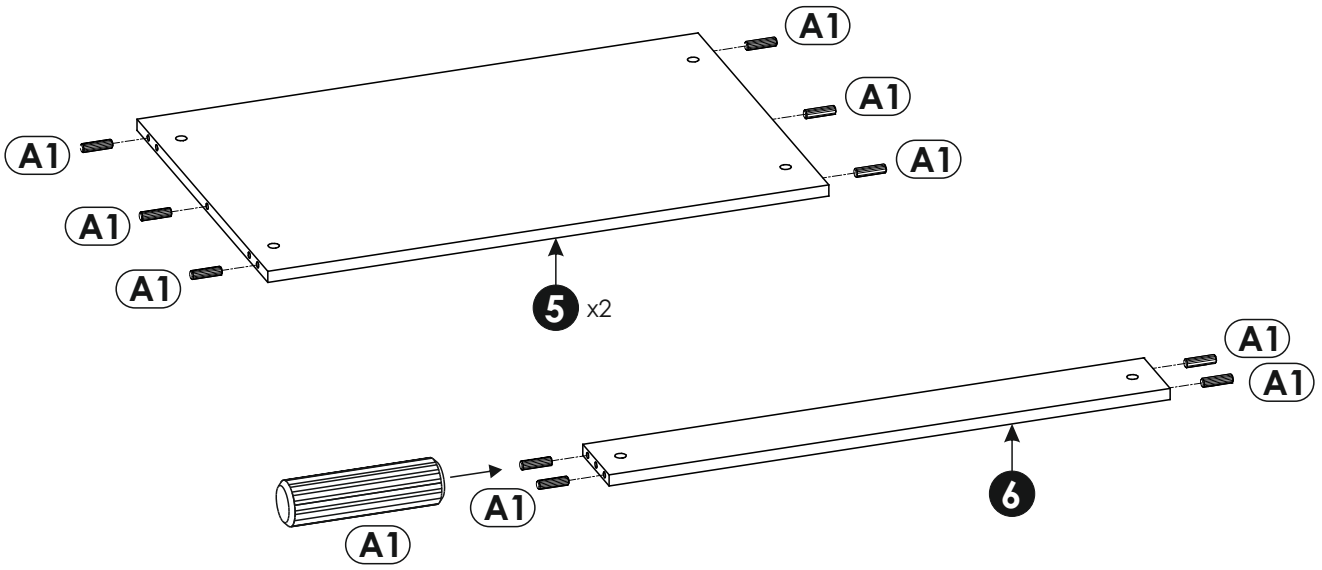


1	1849	502	16	x1	3/3
2	1849	502	16	x1	3/3
3	810	524	22	x1	1/3
4	810	524	22	x1	1/3
5	777	498	16	x2	1/3
6	777	100	16	x1	1/3
7	1477	401	16	x1	2/3

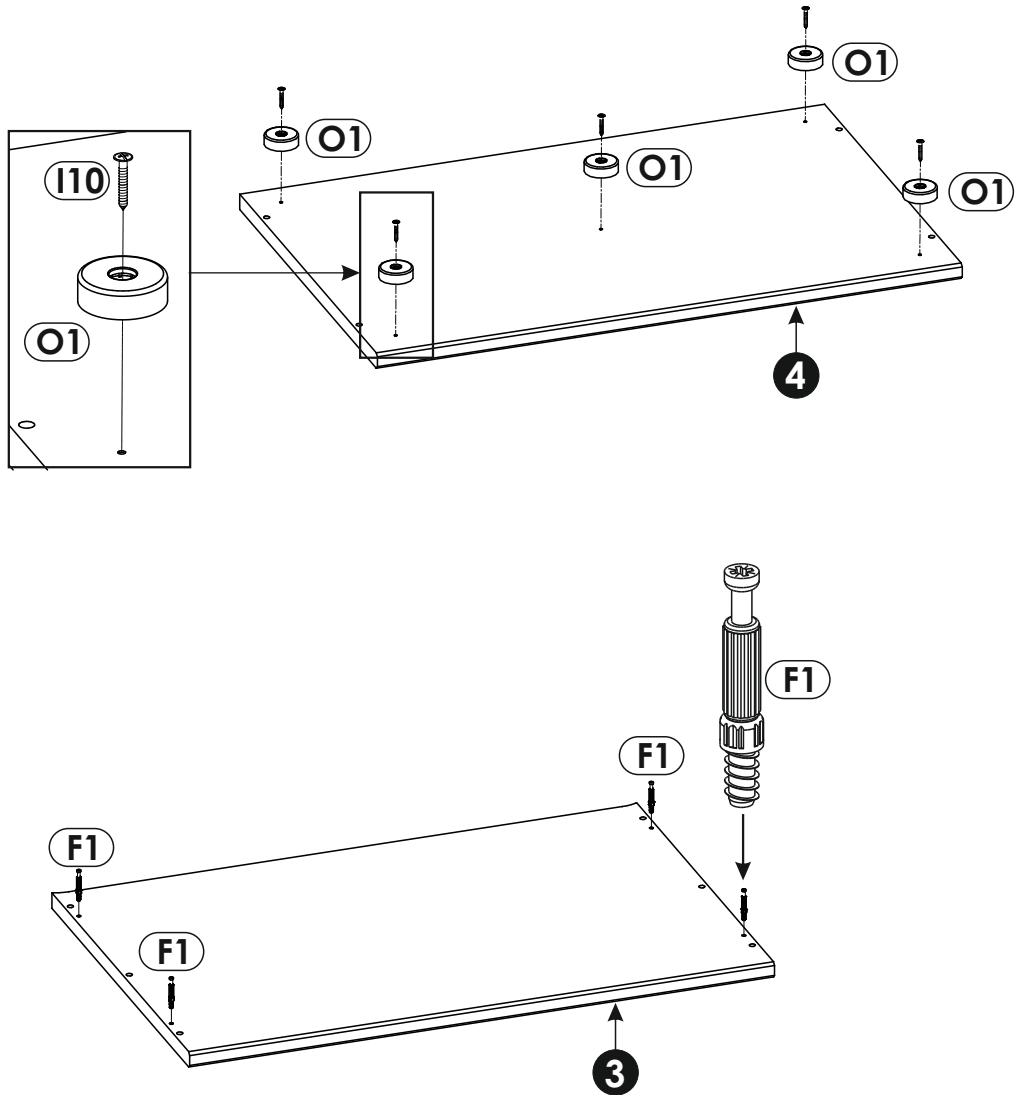
8	1477	401	16	x1	2/3
9	806	180	16	x2	2/3
10	400	100	16	x2	2/3
11	400	100	16	x2	2/3
12	721	100	16	x2	1/3
13	751	405	3	x2	1/3
14	1871	798	3	x1	3/3



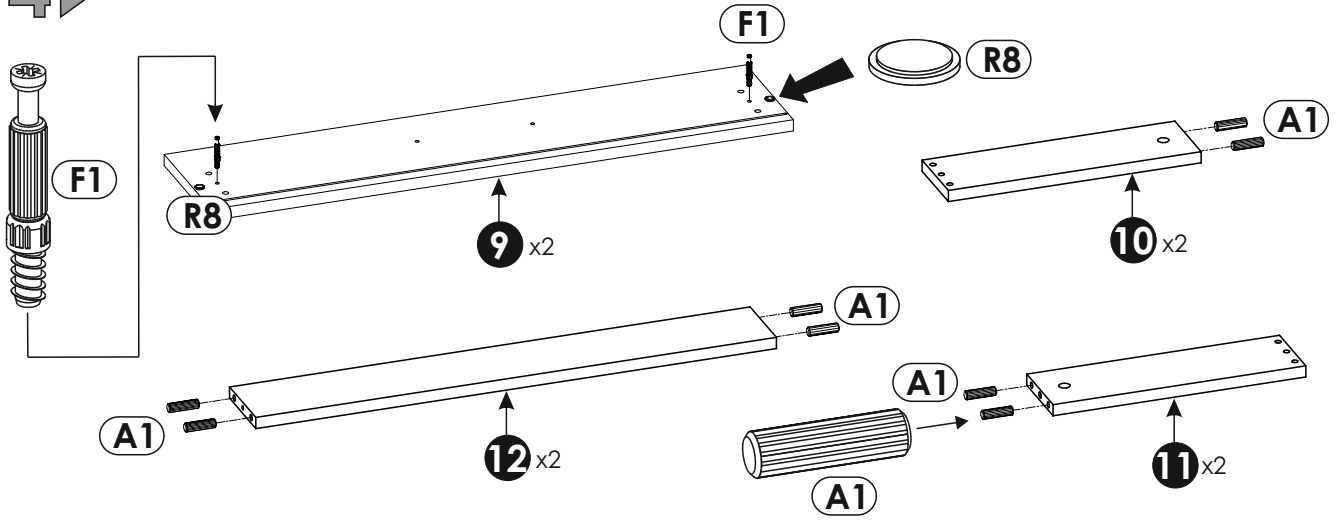
2 ▶



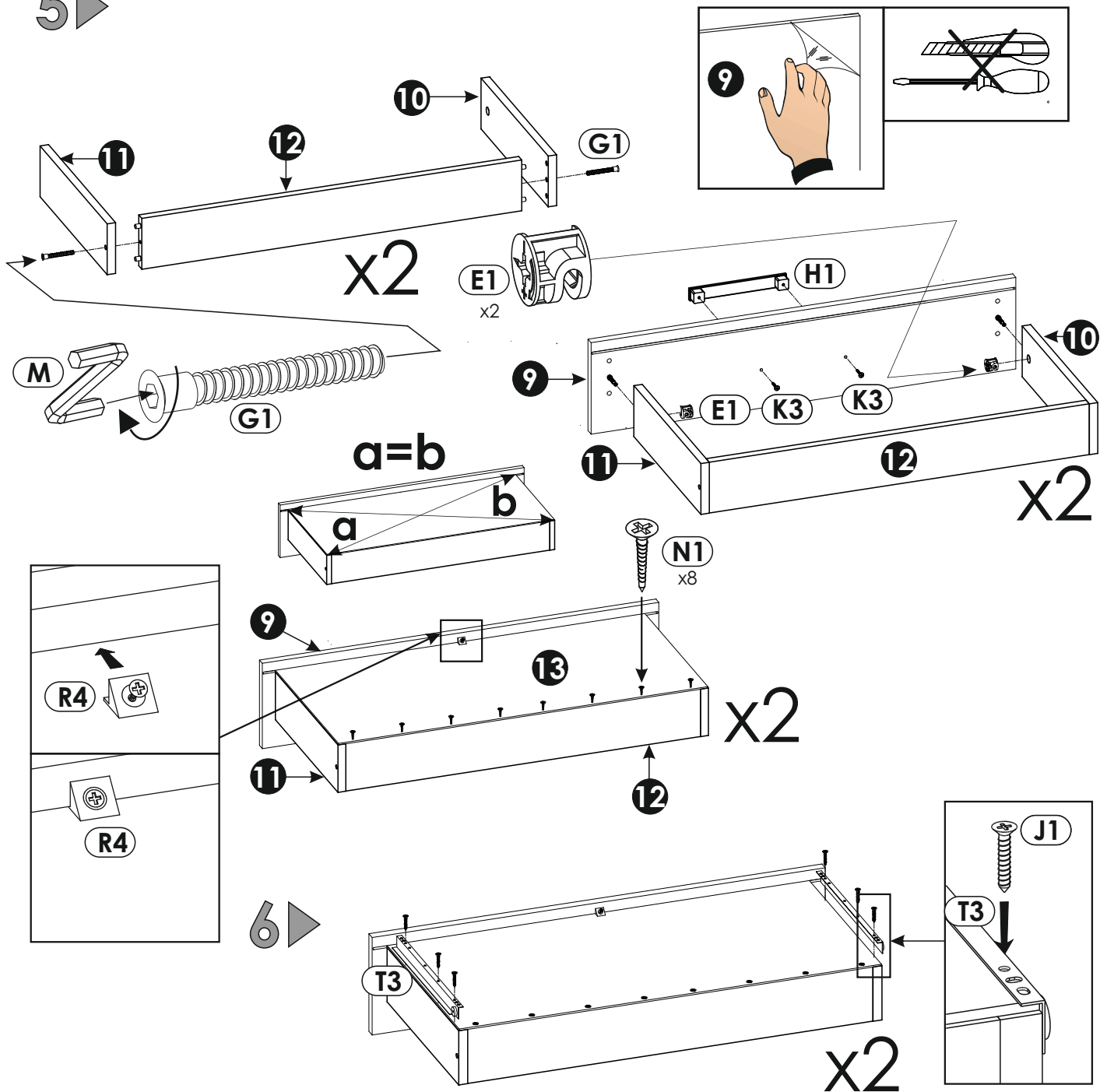
3 ▶



4 ▶

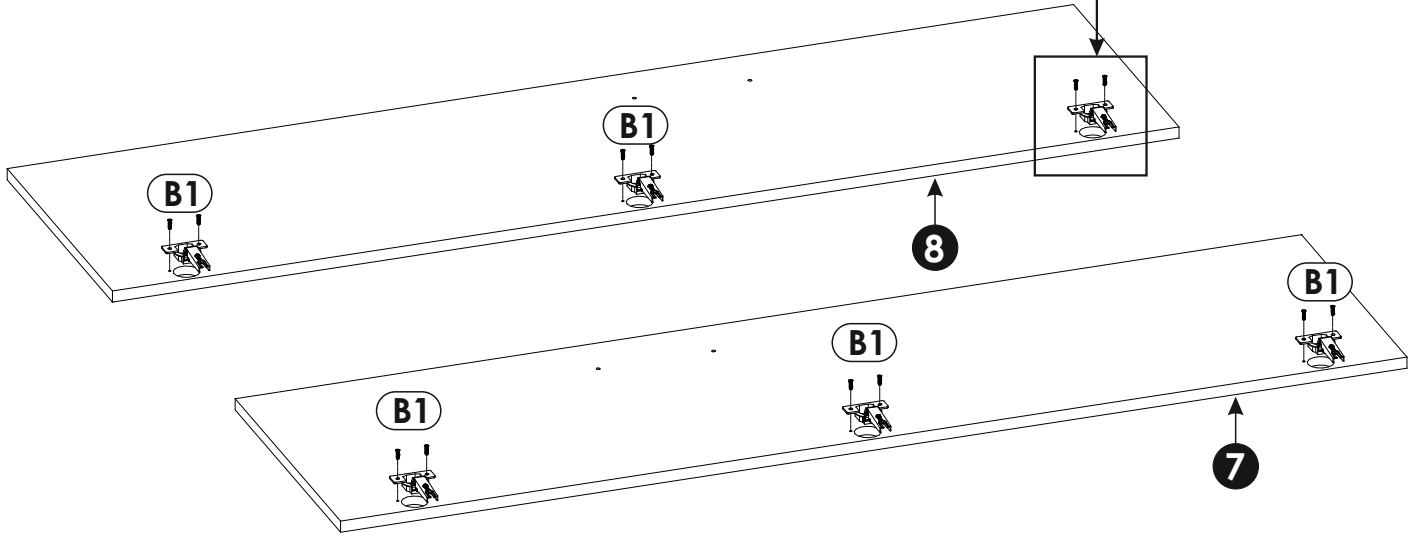
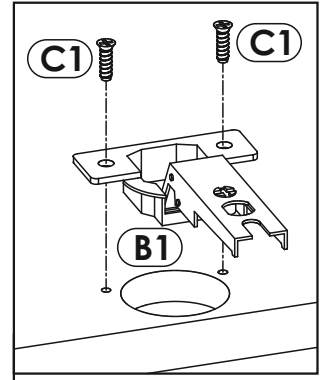


5 ▶

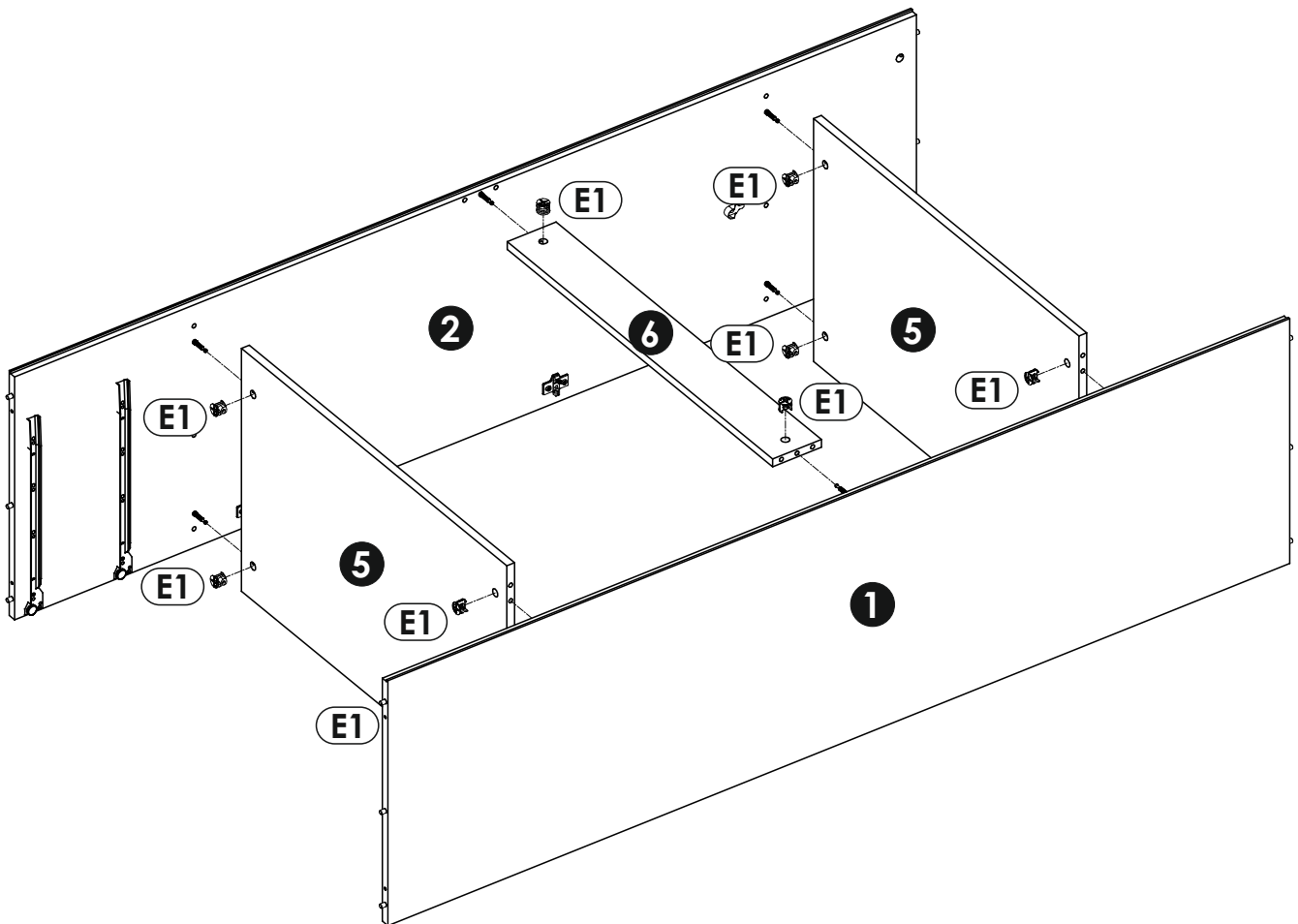


6 ▶

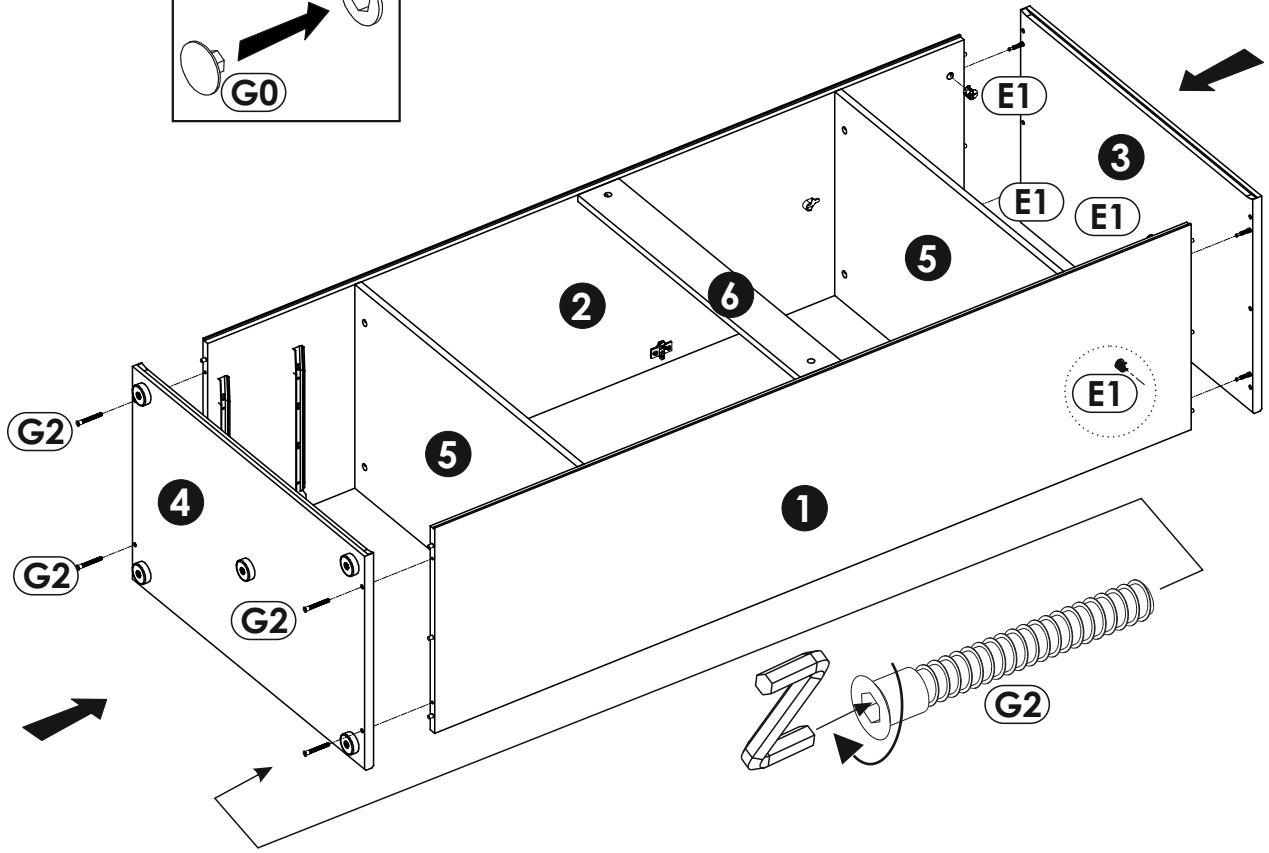
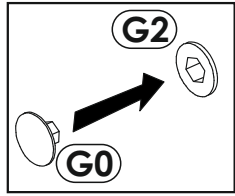
7 ▶



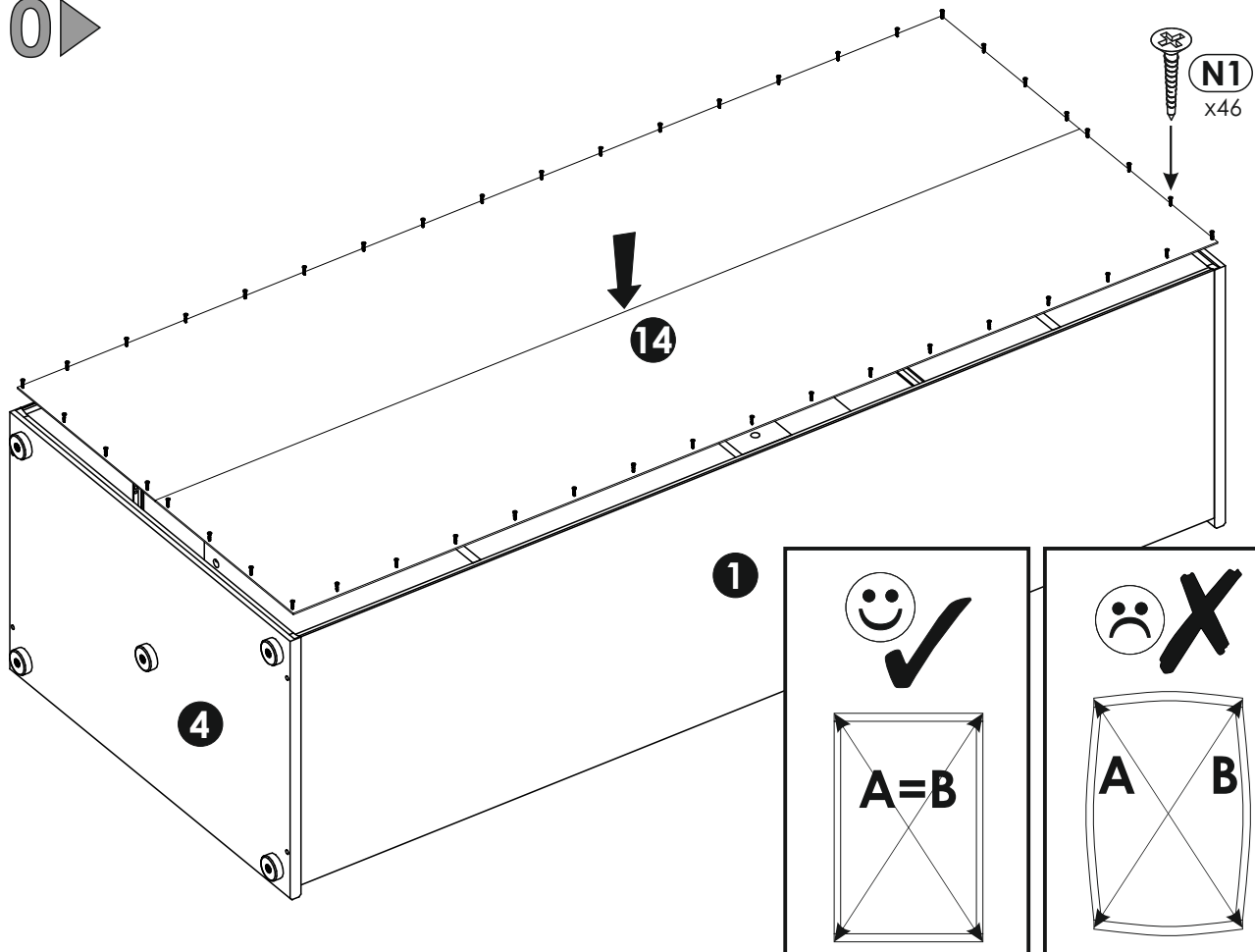
8 ▶



9 ▶



10 ▶



9 ▶

