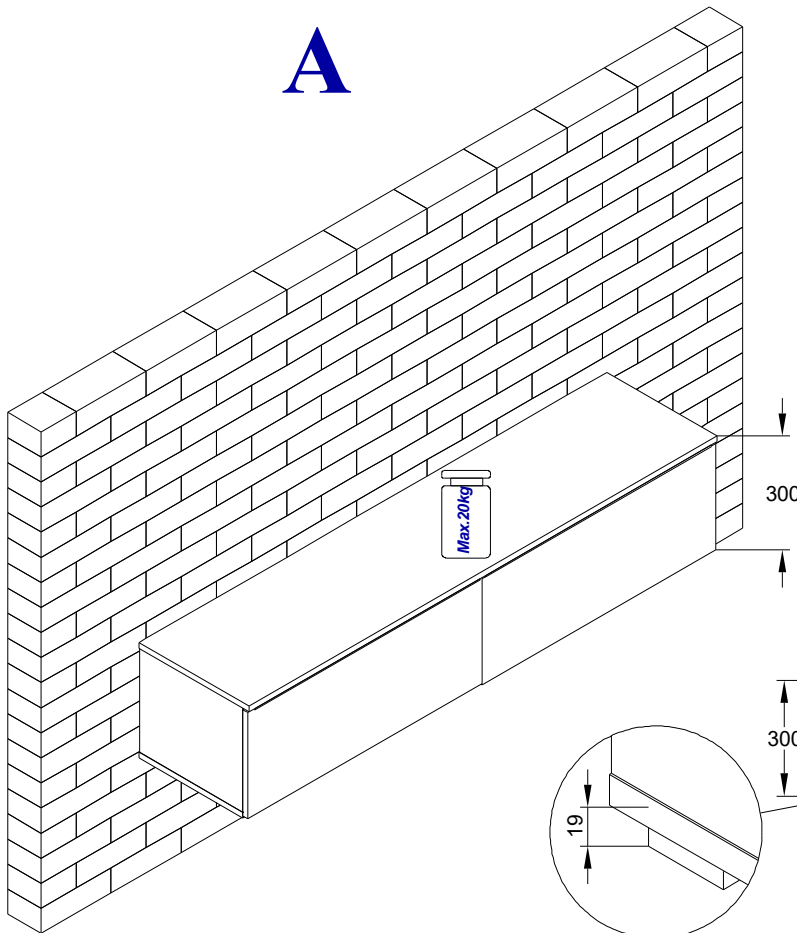
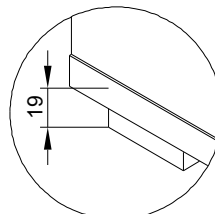
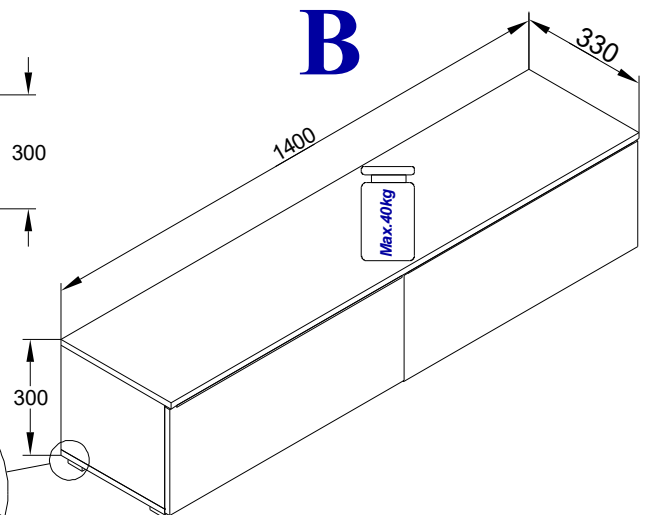


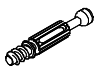
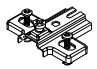
A



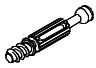
B





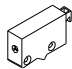




I

	
A	L
x6	x4



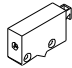


II


A
x6


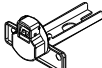




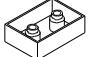

III


						
B	D	G	3x13	S2	Q	4x30
x8	x8	x2	x6	x4	x2	x4

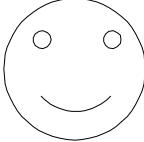
IV

				
B	D	G	4x30	S2
x4	x4	x1	x2	x4


V-XIII

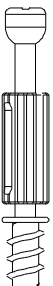
							
6,3x13	Z	X	I	3x13	S4	M	G1
x8	x4	x12	x8	x8	x2	x6	x12



KR
x3

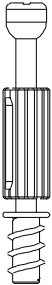



OK

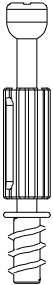





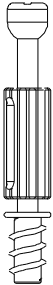


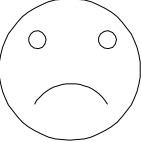




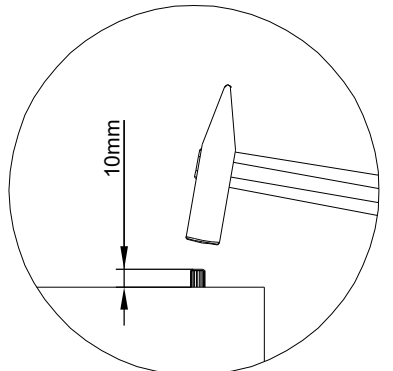
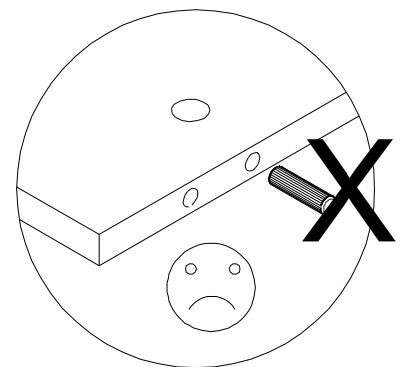


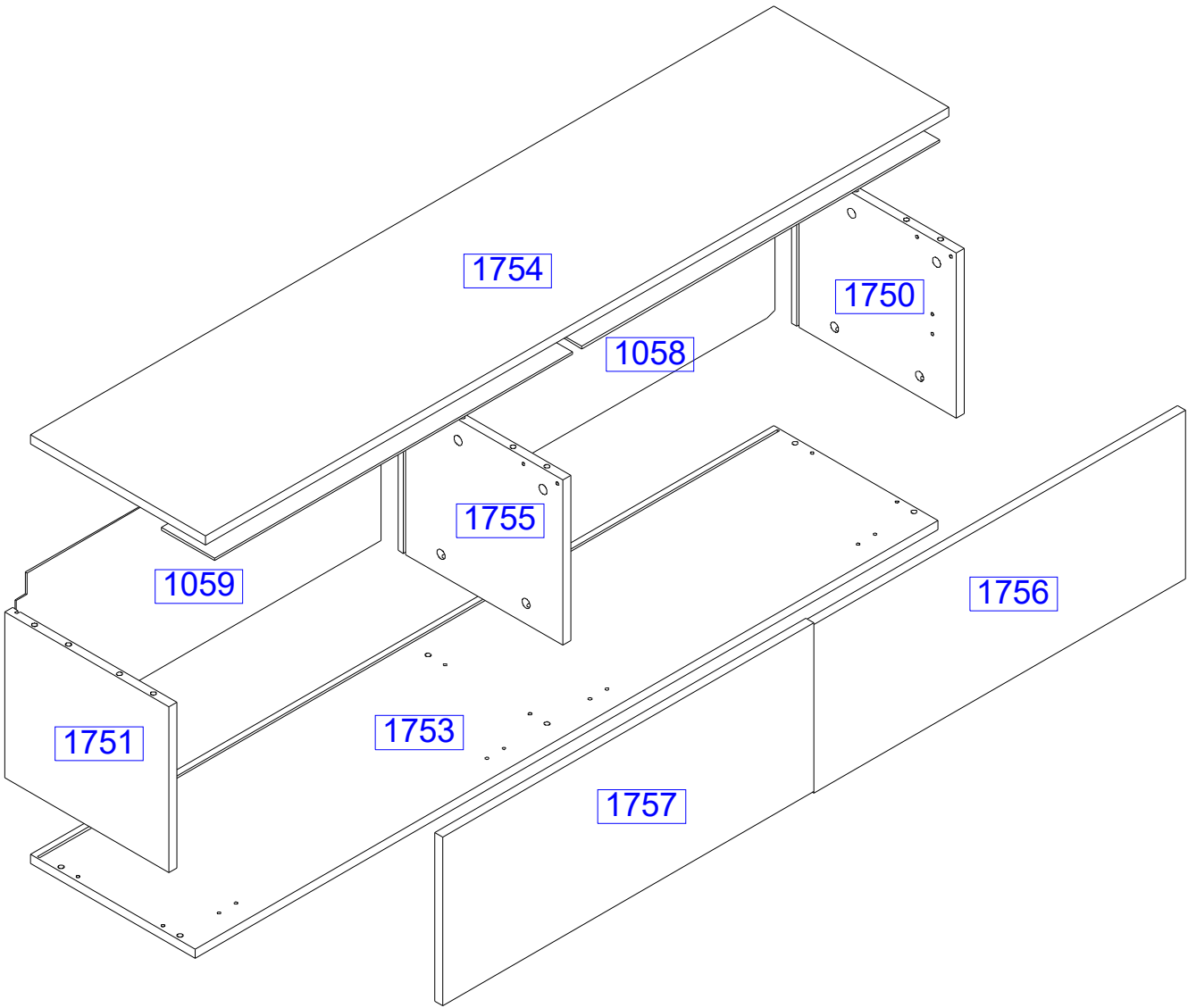
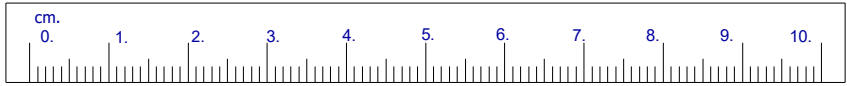
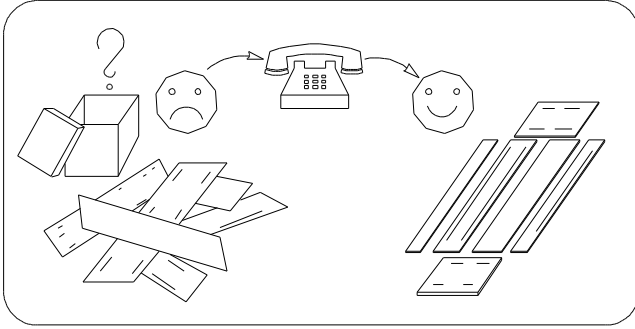
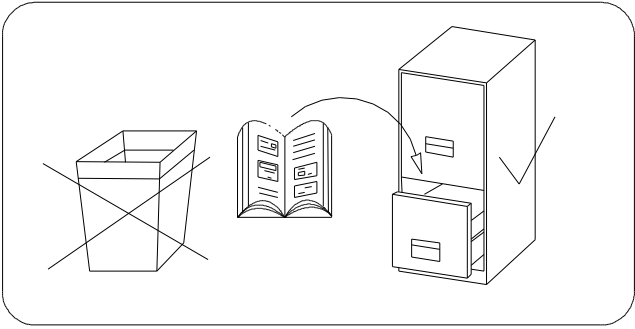




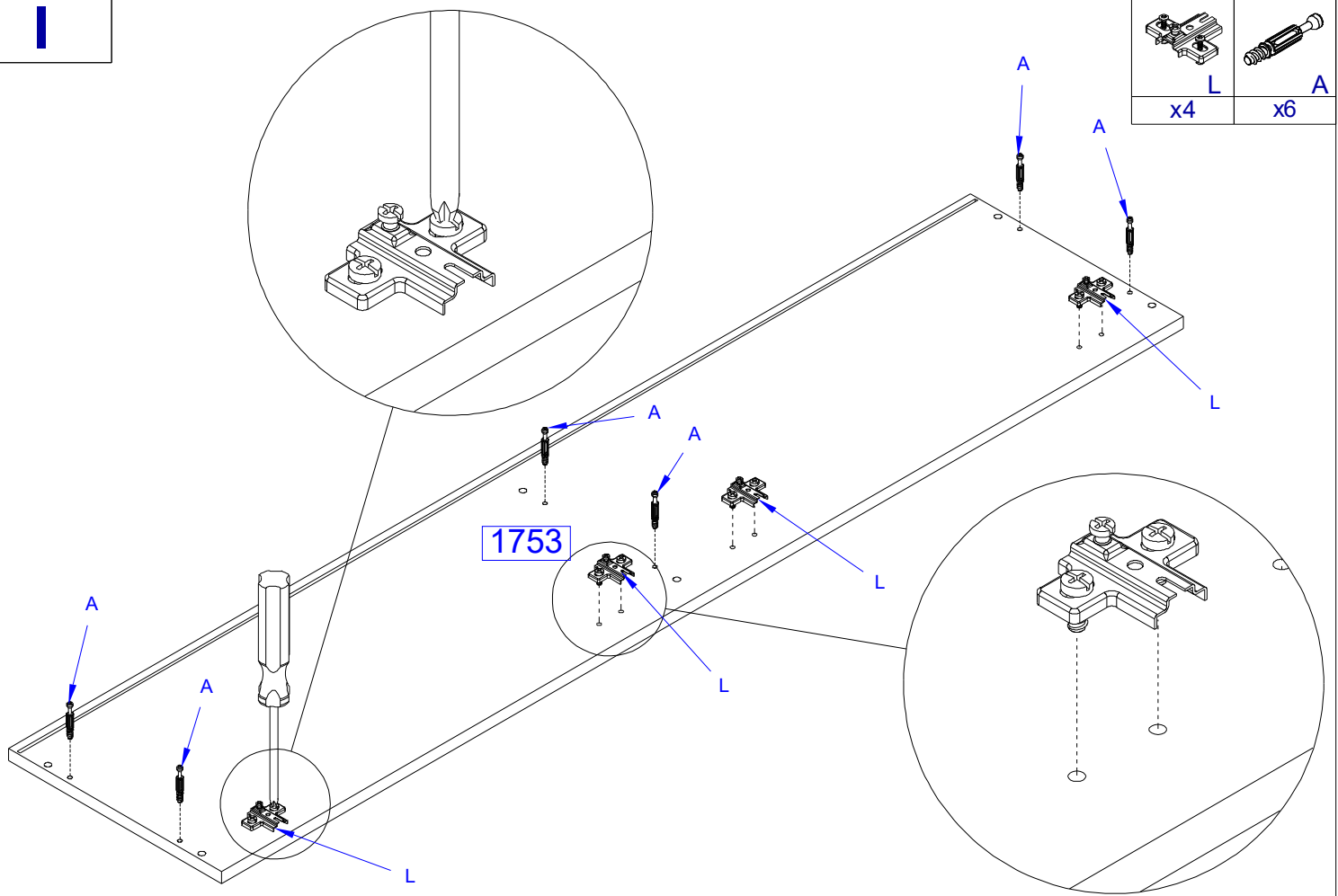


NO

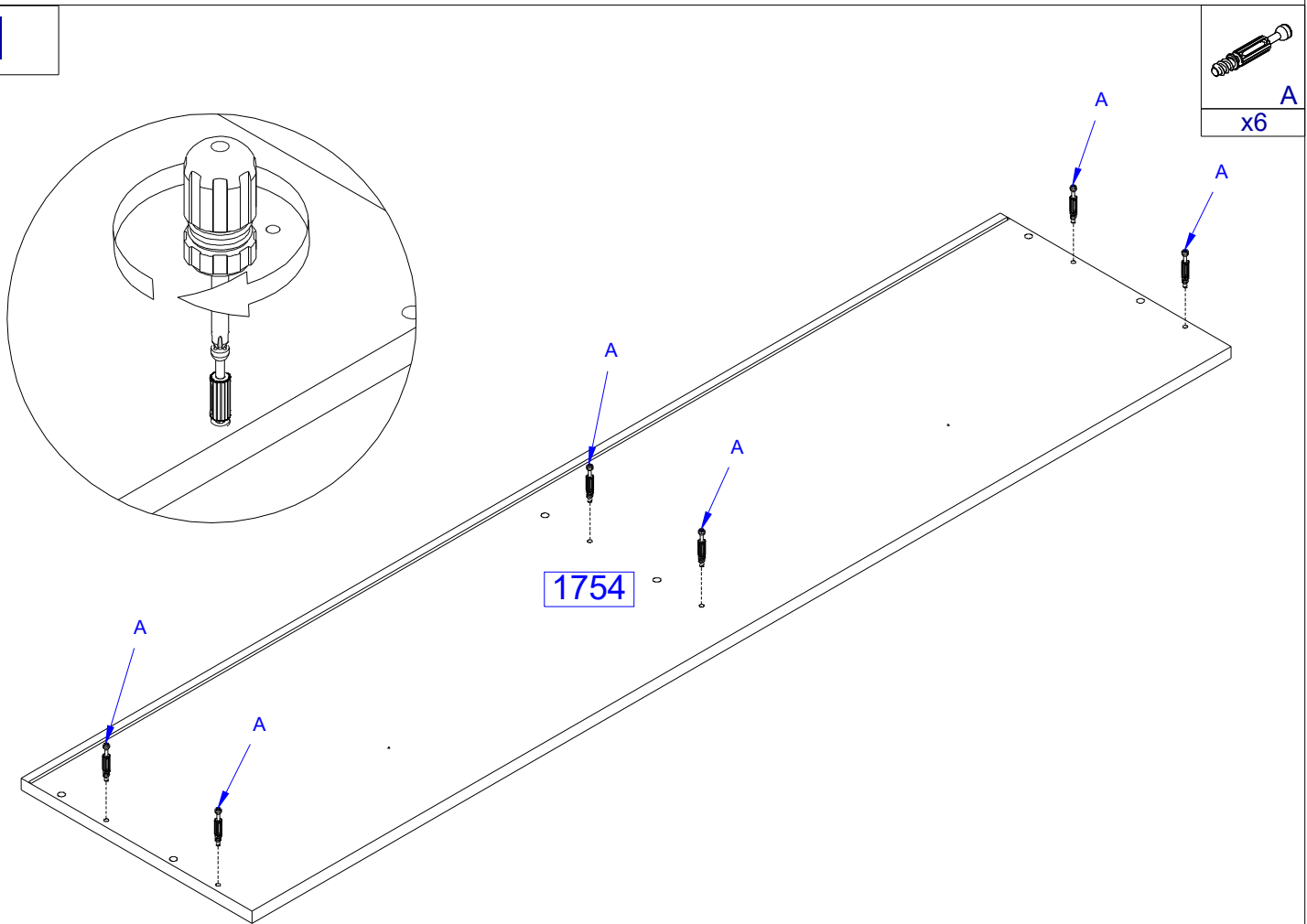




I



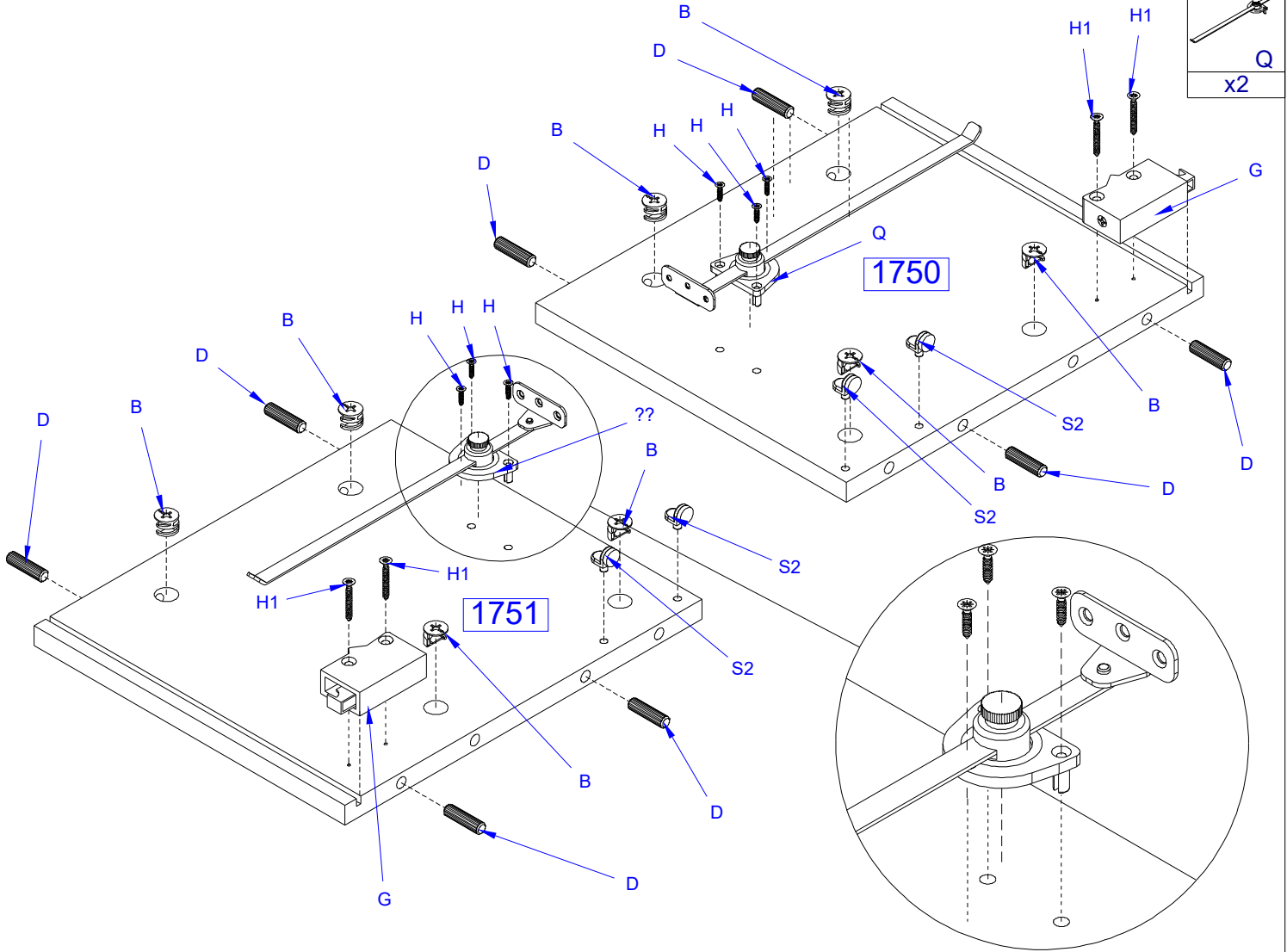
II





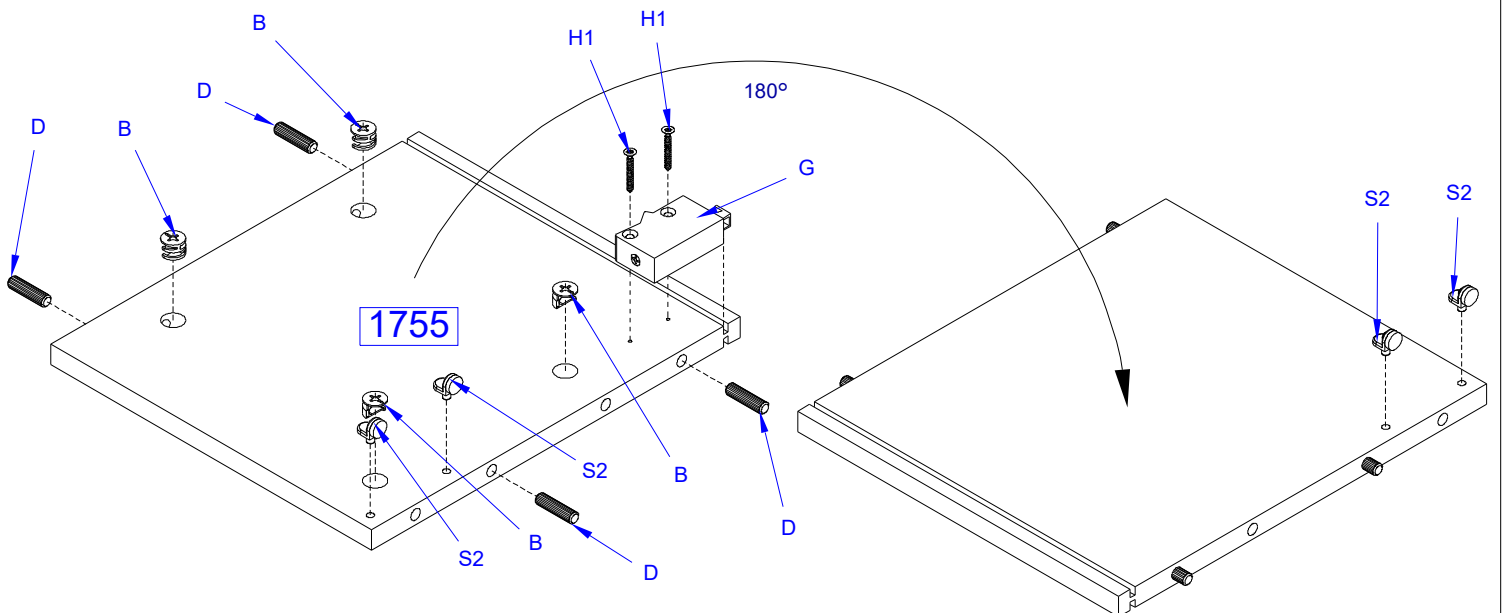
	3x13		4x30			
S2	H	G	H1	D	B	
x4	x6	x2	x4	x8	x8	

Q
x2



IV

		4x30			
S2	G	H1	D	B	
x4	x1	x2	x4	x4	



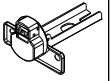
V

6,3x13



F2

x8



Z

x4

1757

1756

F2

F2

Z

VI

1751

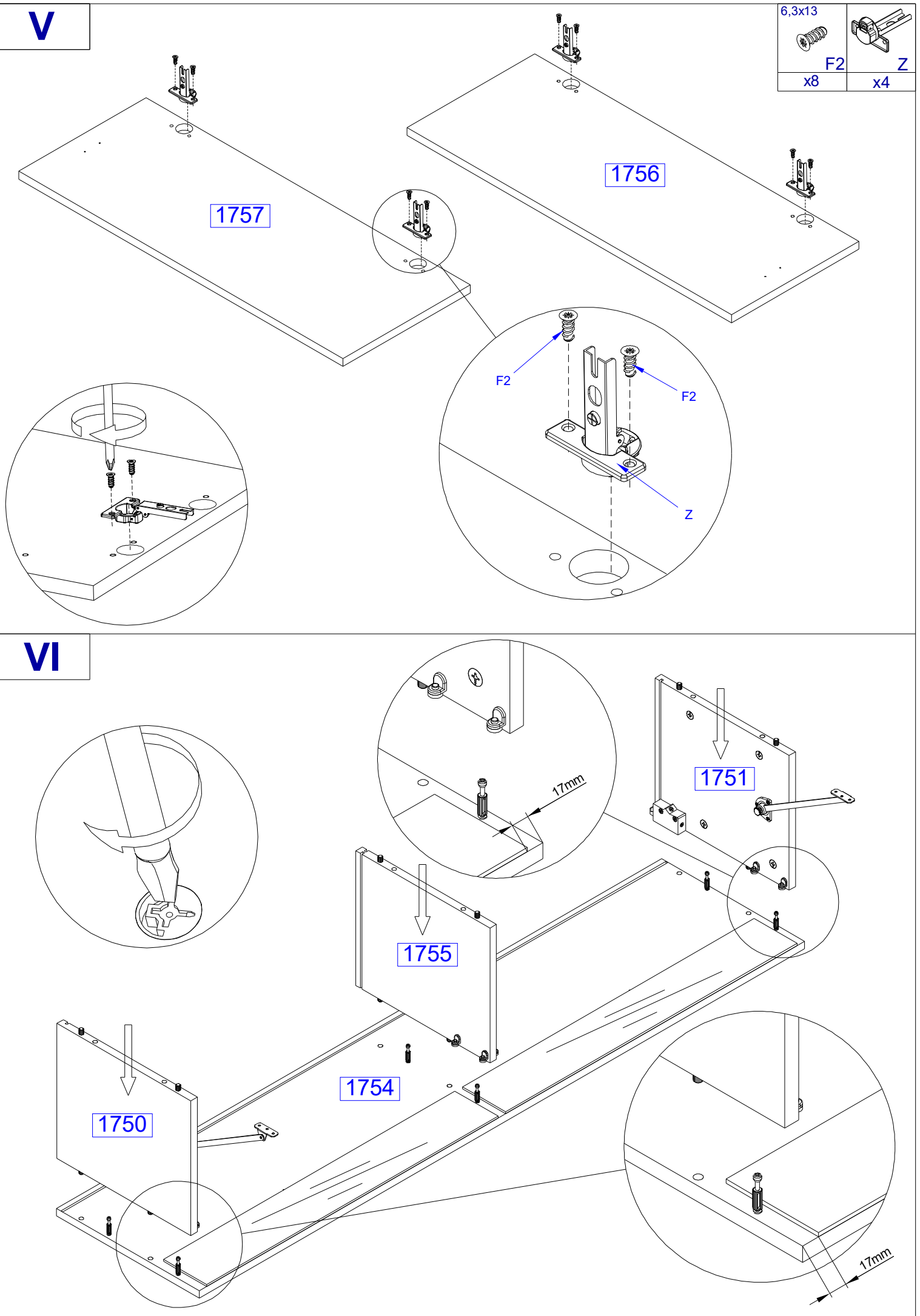
1755

1754

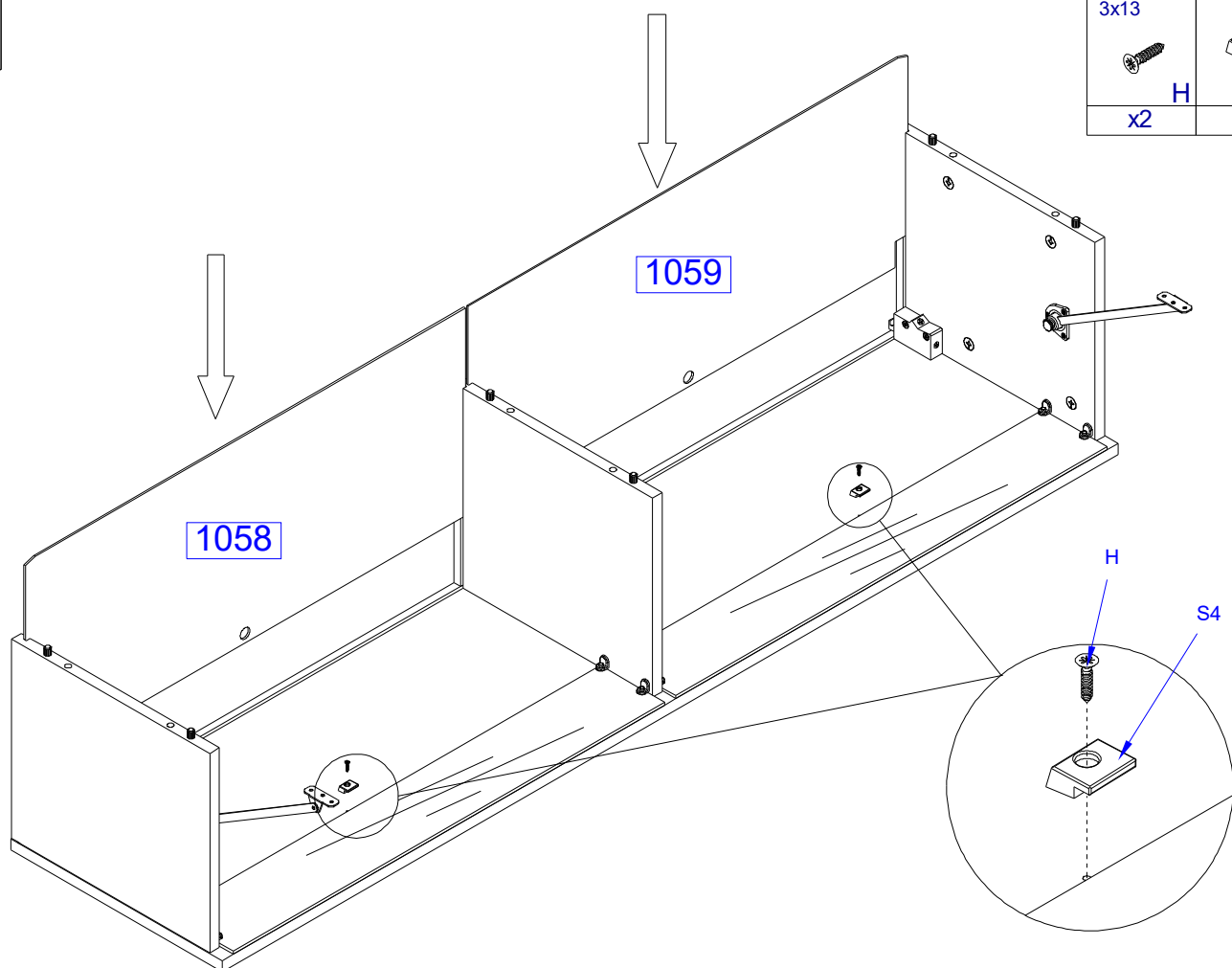
1750

17mm

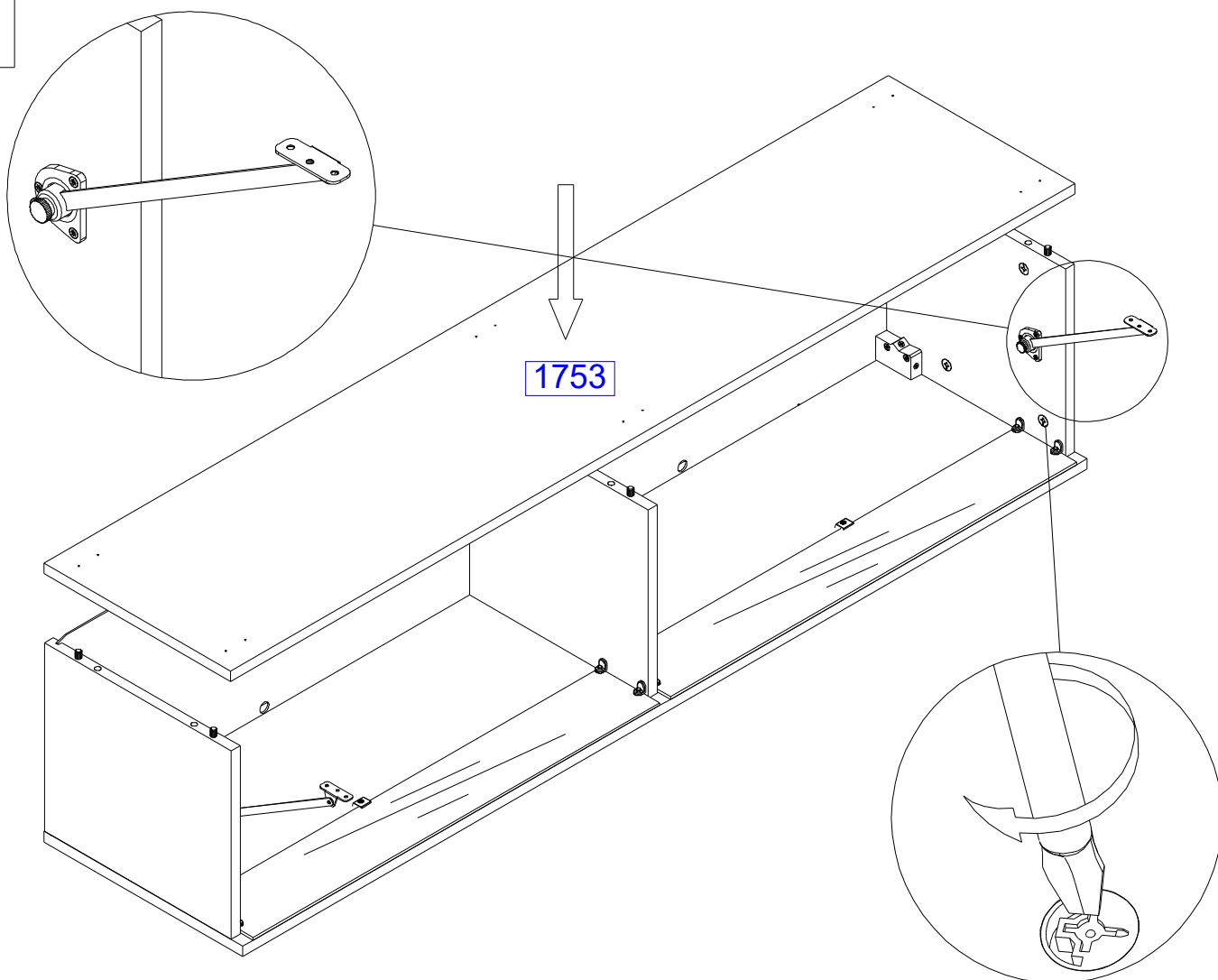
17mm



VII



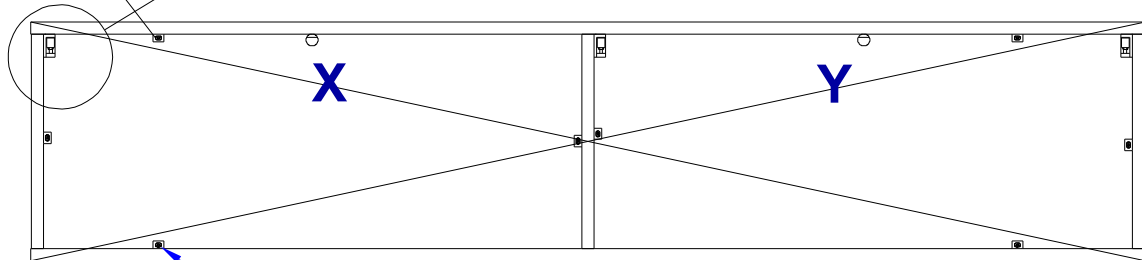
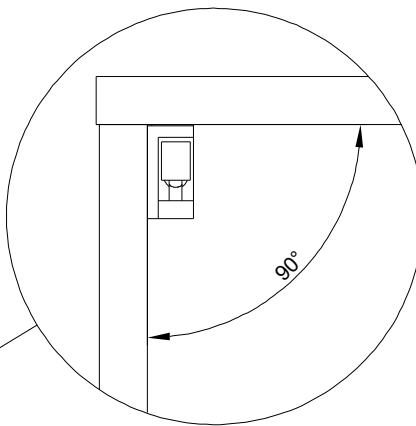
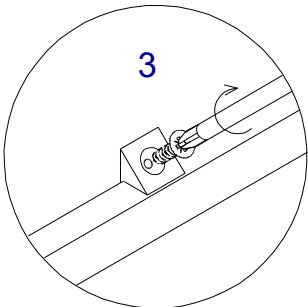
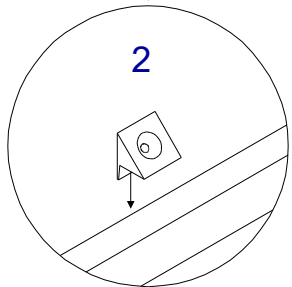
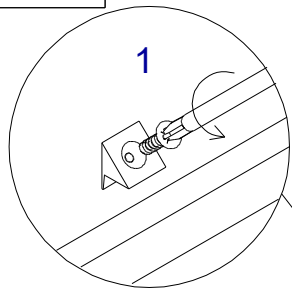
VIII



IX



x8



$X=Y$

X

3x13



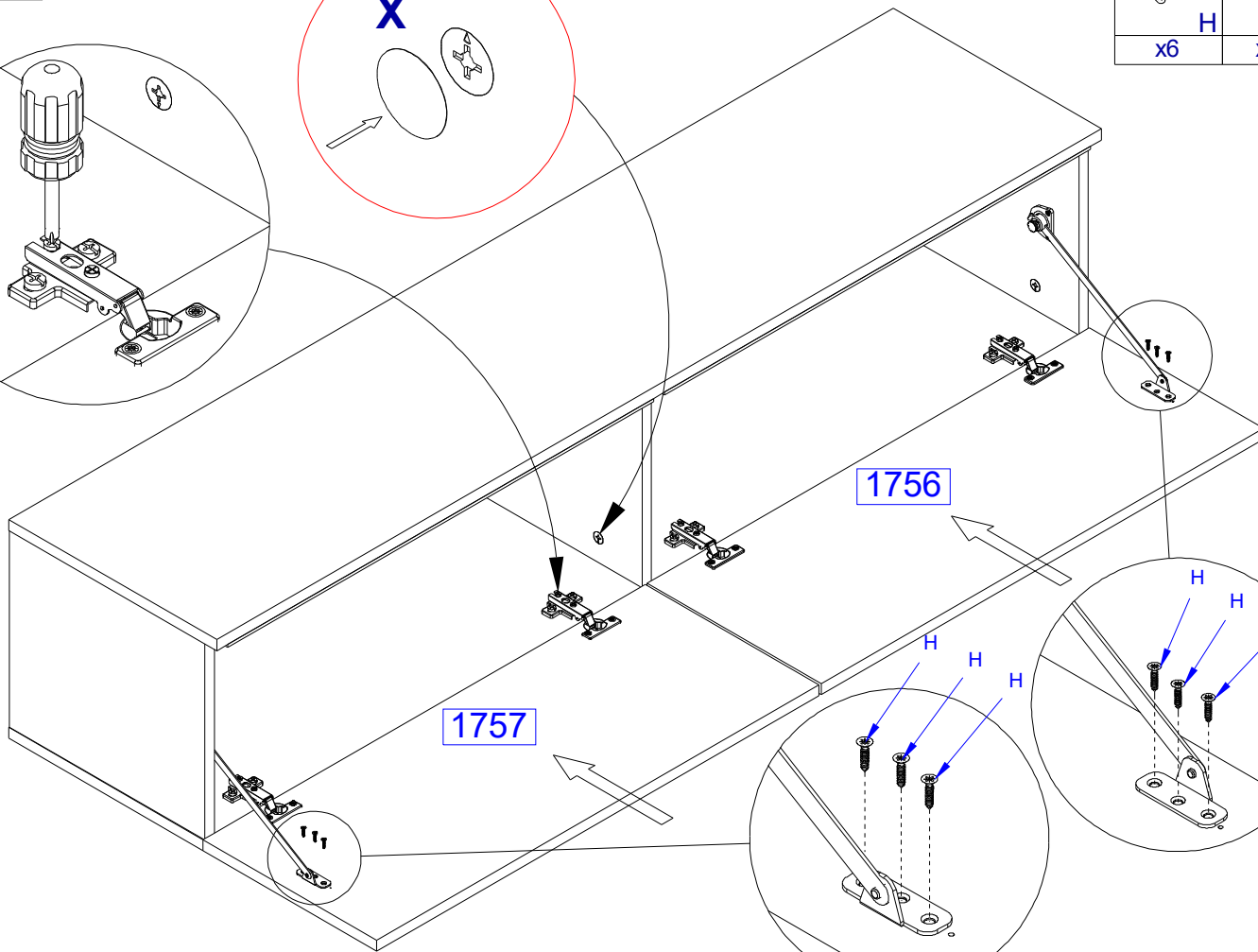
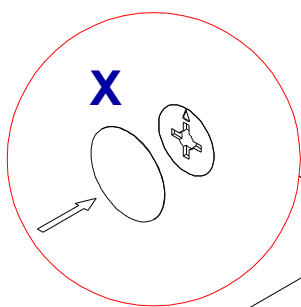
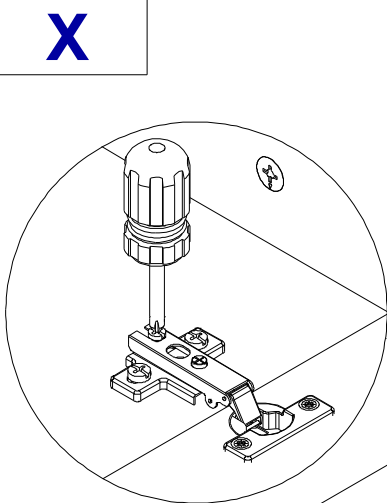
H

x6

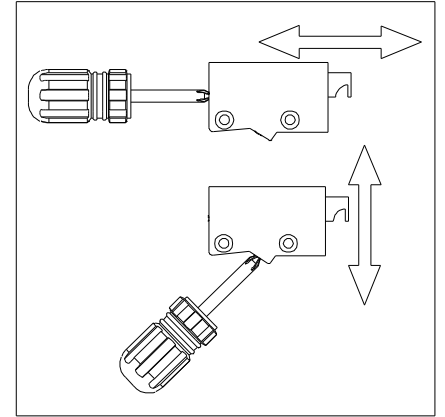
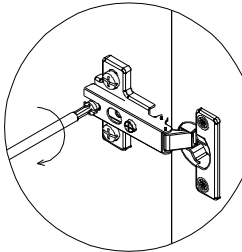
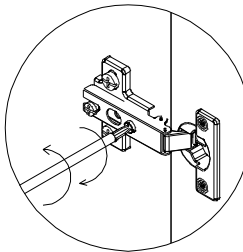
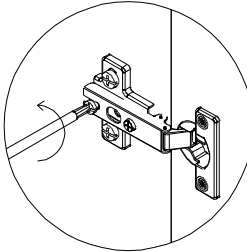
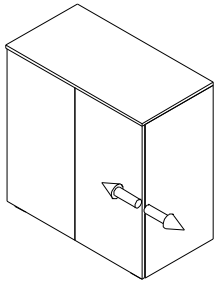
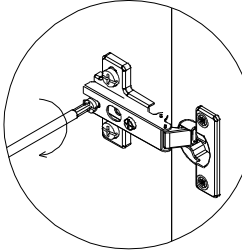
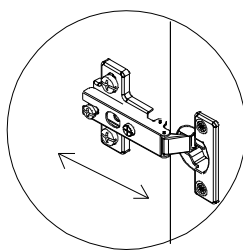
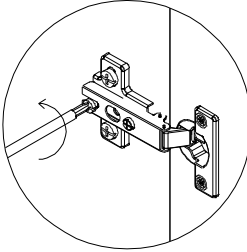
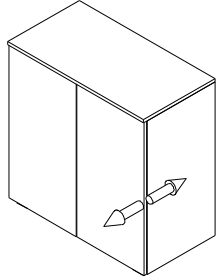
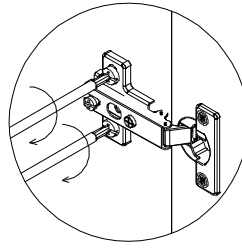
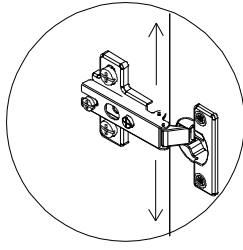
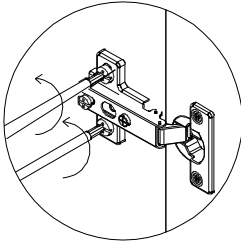
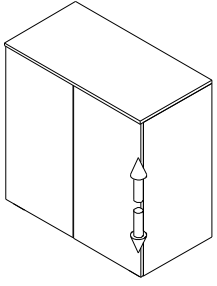


X

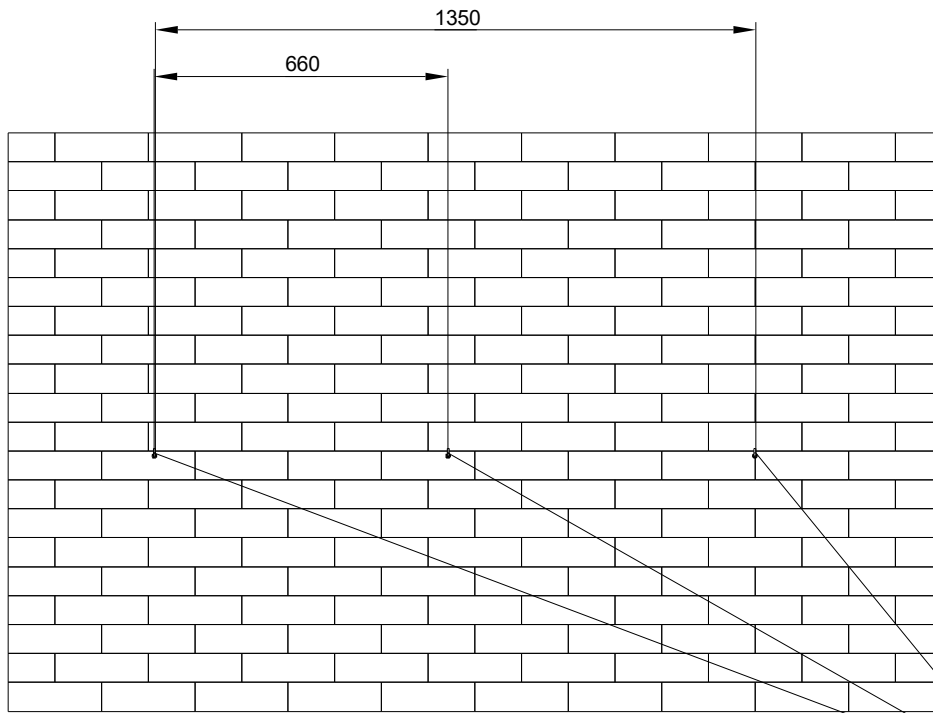
x12



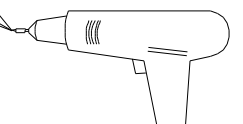
XI



XII



A





x6

M

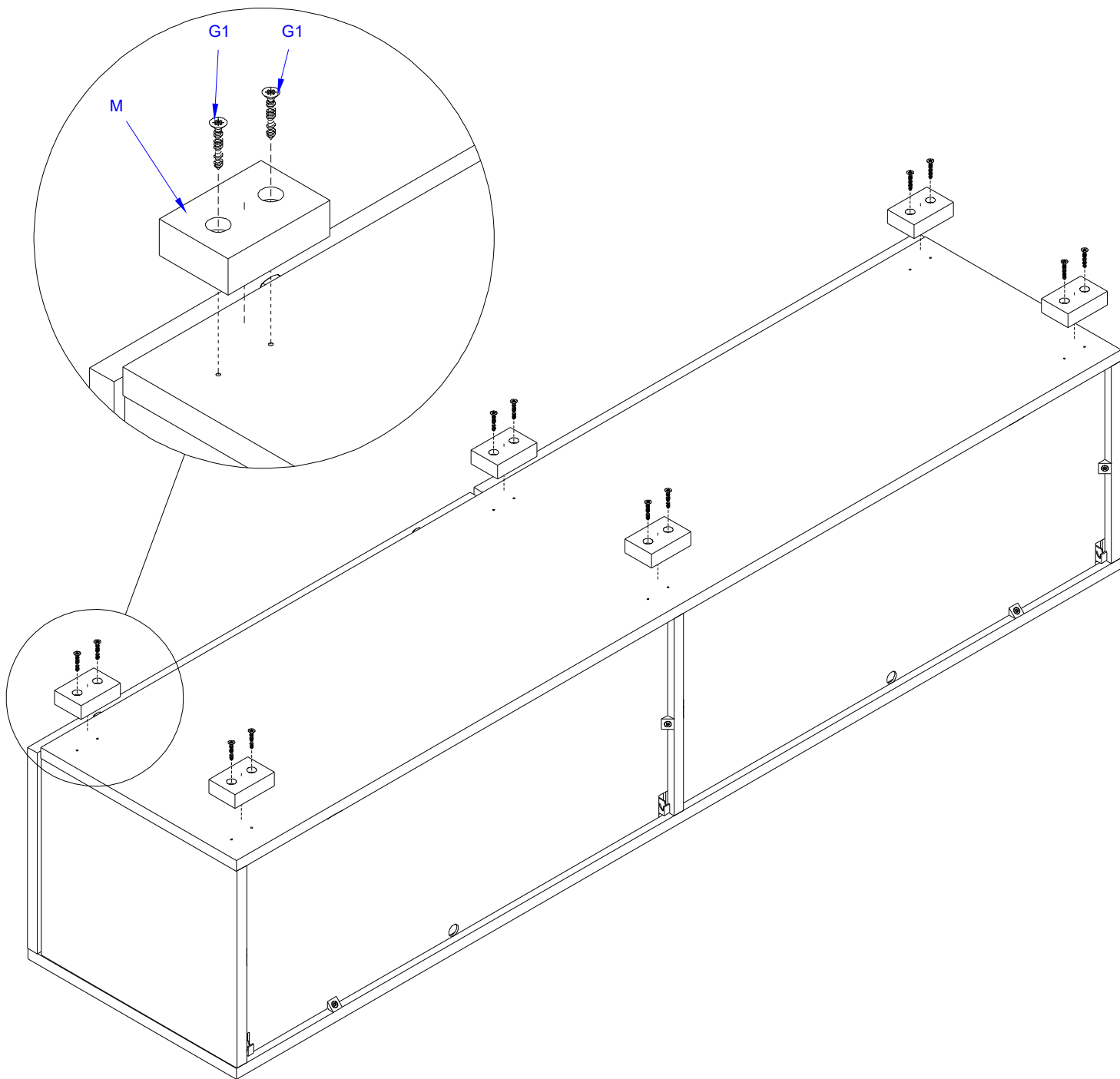
4x25

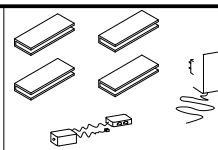
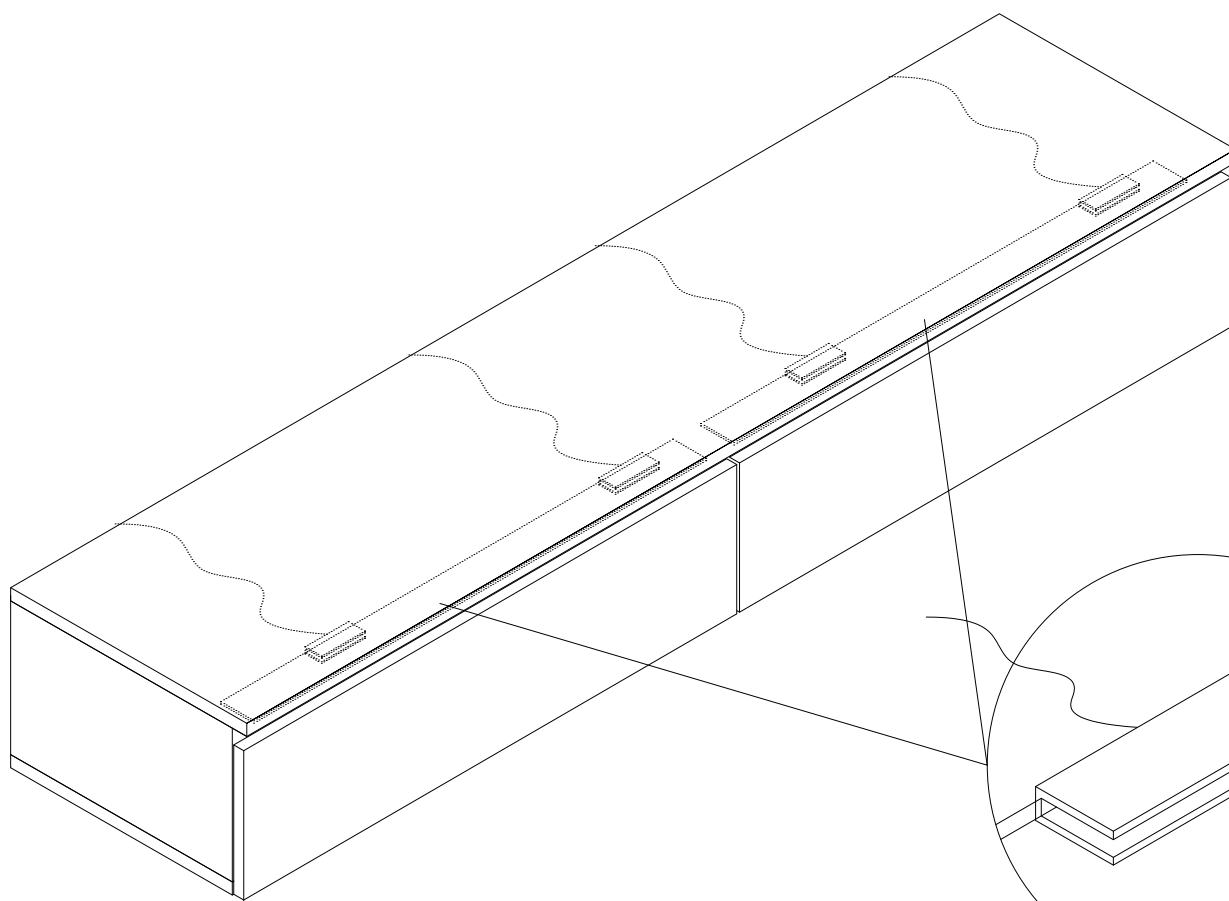


x12

G1

B





1 kpl.