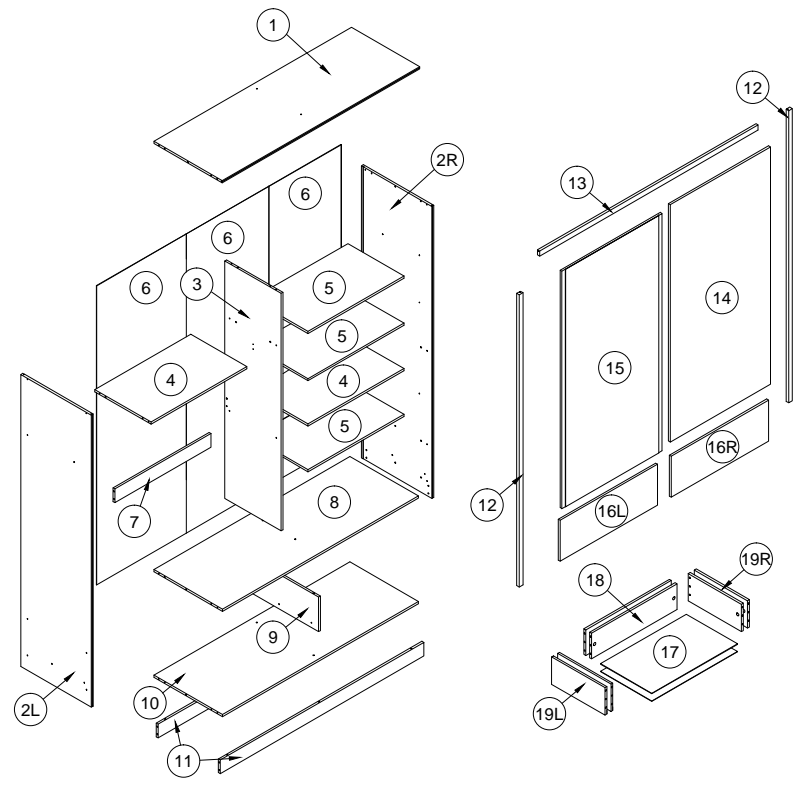
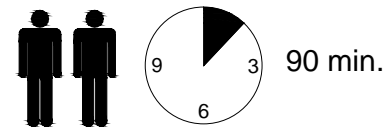
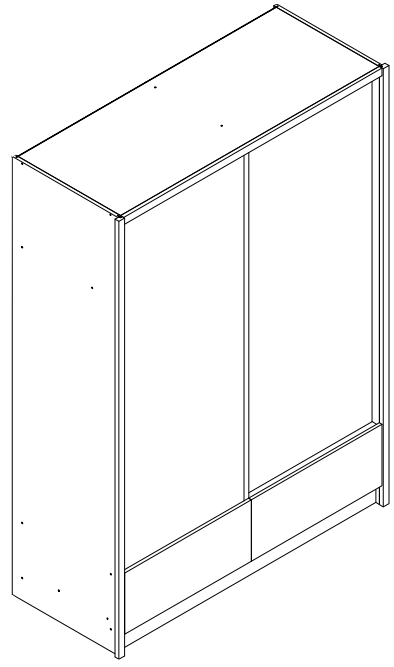
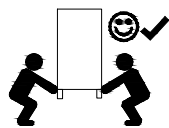
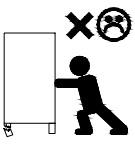
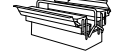
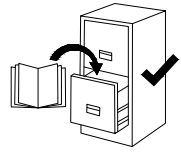
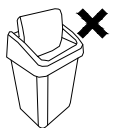
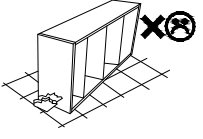
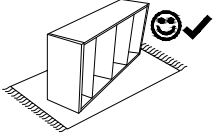
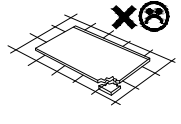
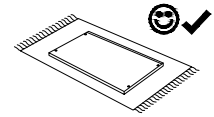
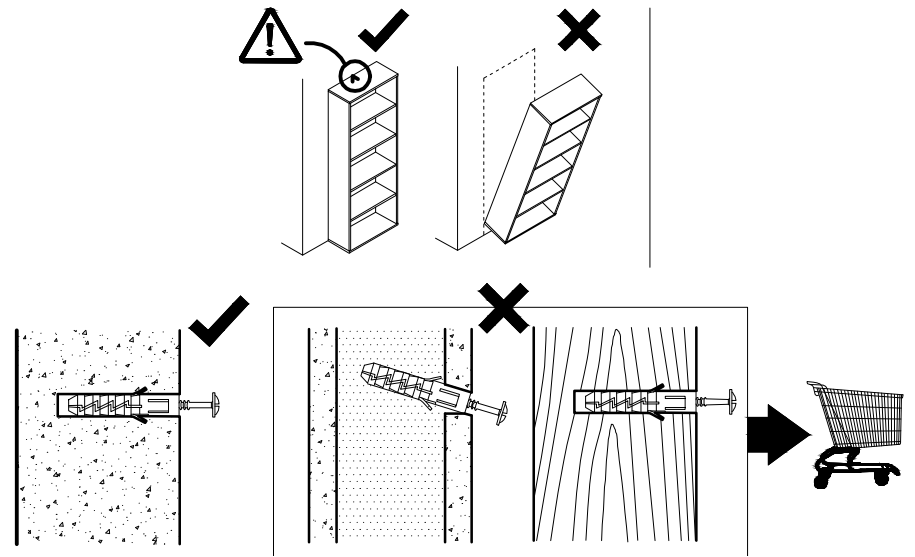
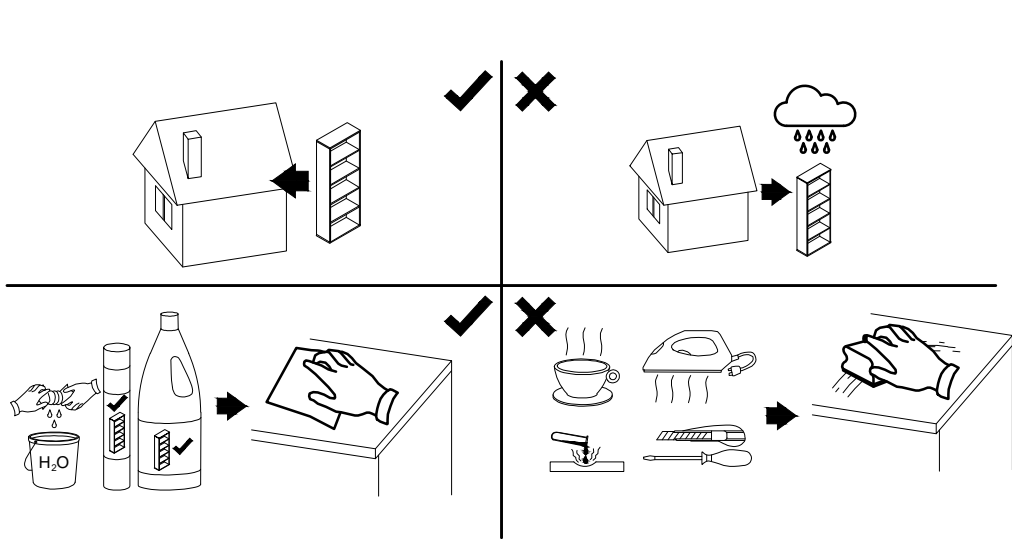
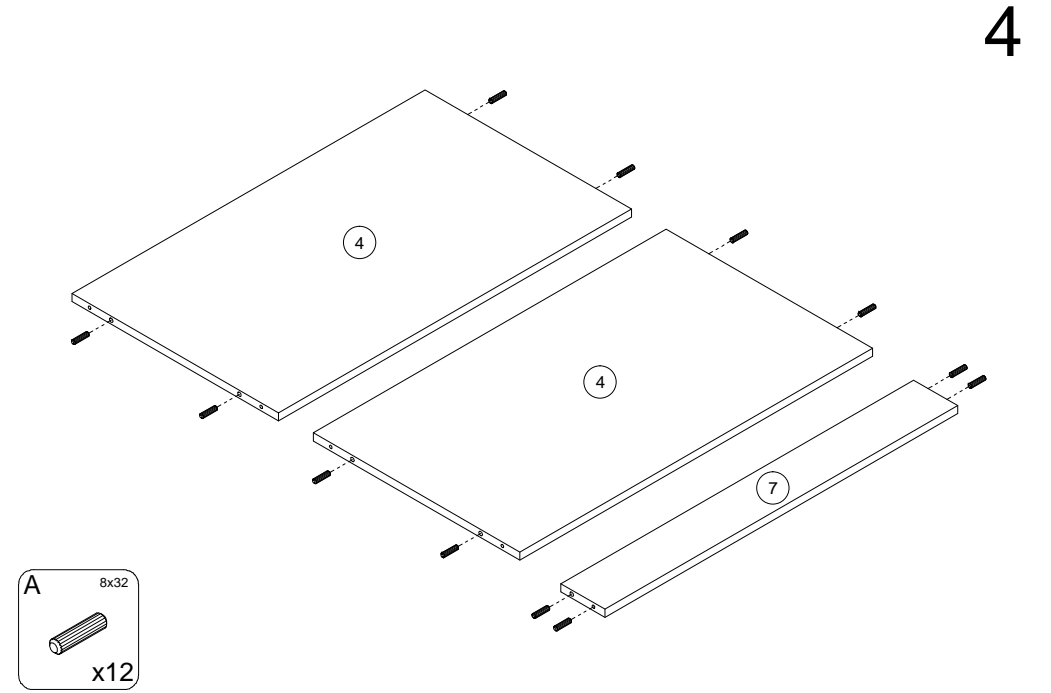
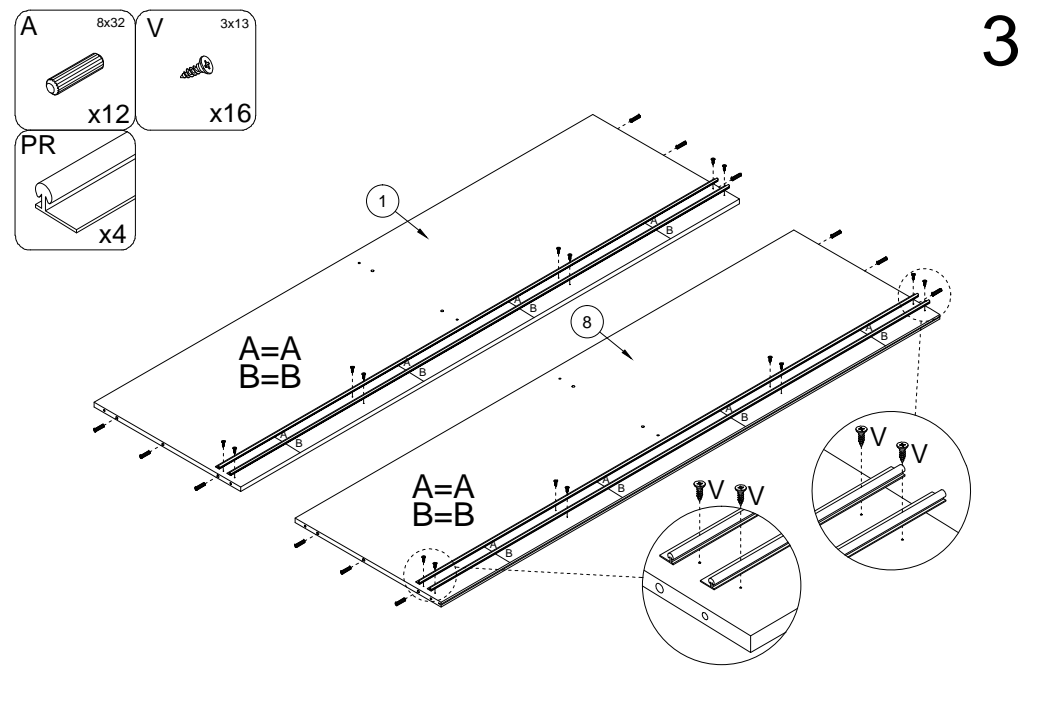
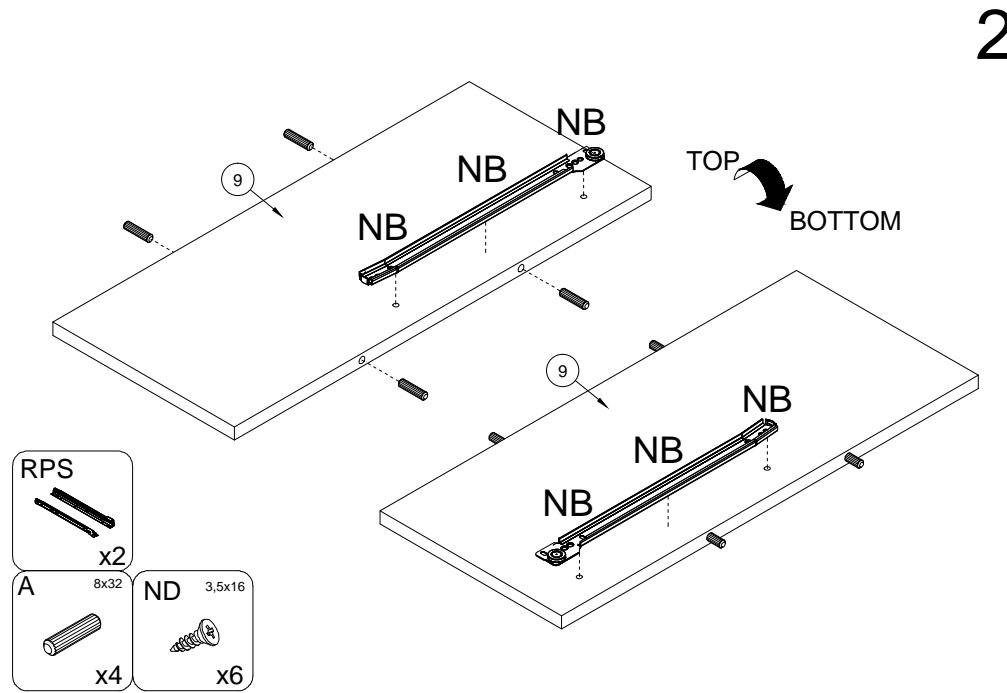
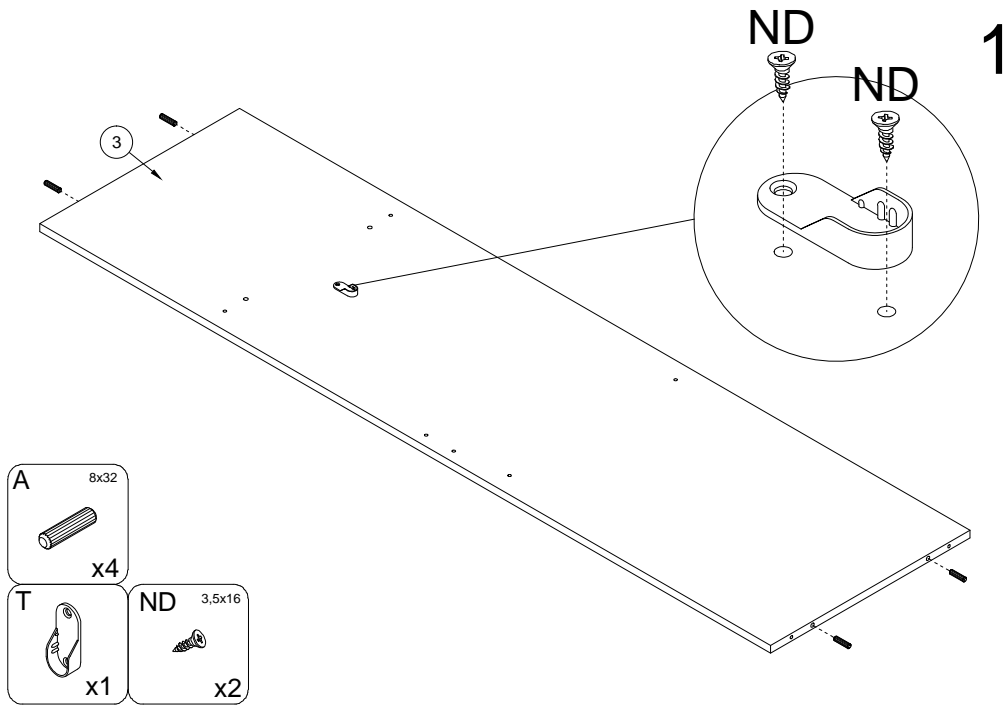


130

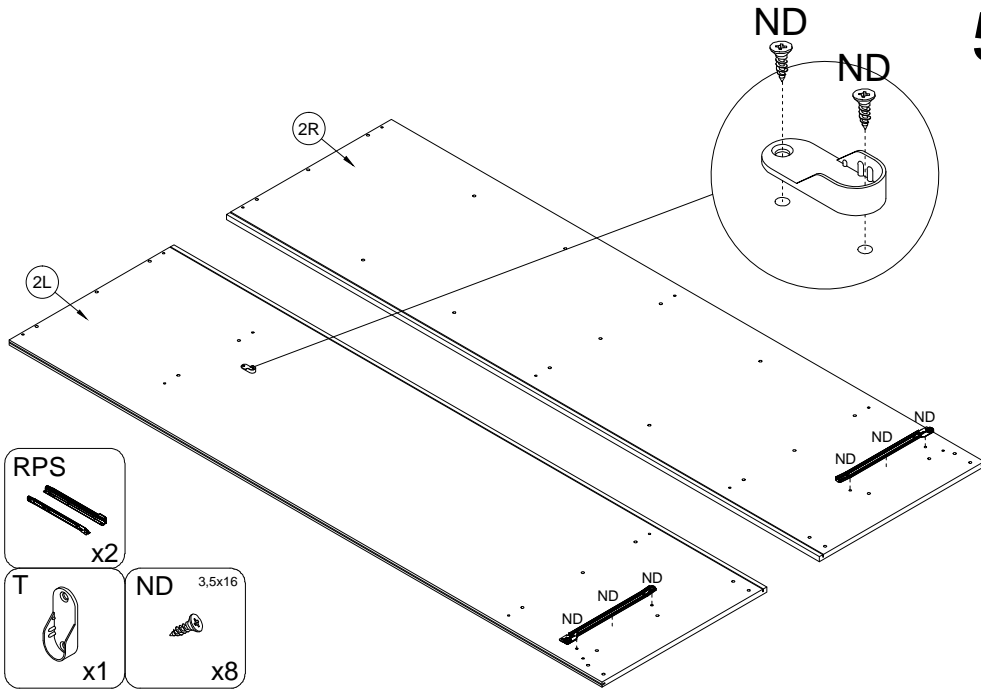


		LM		ZB	
		x16		x12	
S	L-2008mm	N	3x20	W6	L-618mm
	x2		x55		x1
		SP		B	
			x8		x8
C		Z		SZP	
	x8		x4		x2
A	8x32	RPS		X	
	x68		x2		x10
		GLUE		SEV	
			x2		x3
		DB	L-1715mm	H	6,3x13
			x2		x16
		DA			
			x4		
T		ND	3,5x16	V	3x13
	x2		x48		x16
		PR		YD	7x50
			x4		x24
		WB		ZG	
			x1		x20
		D			
			x4		

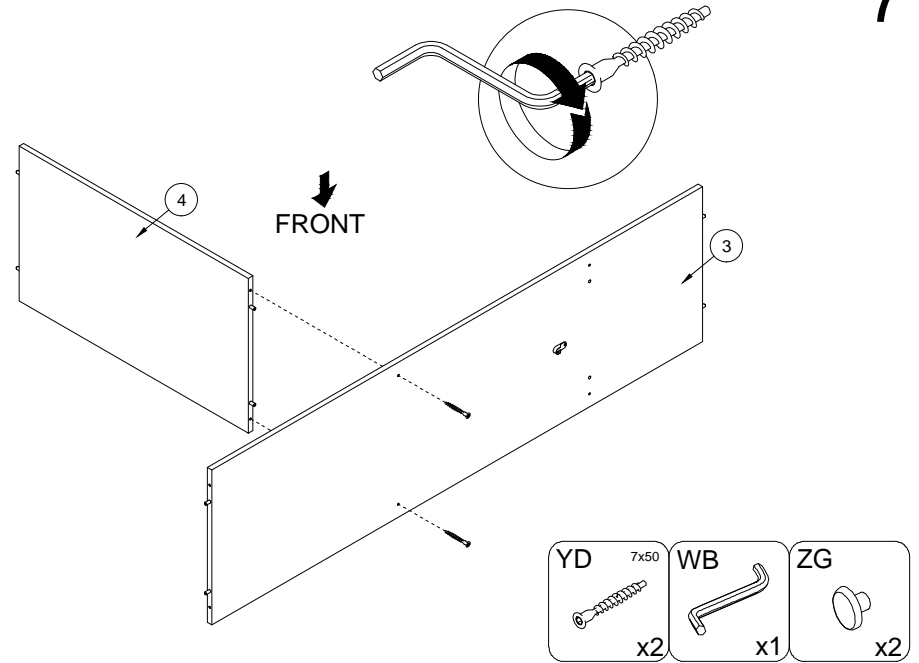




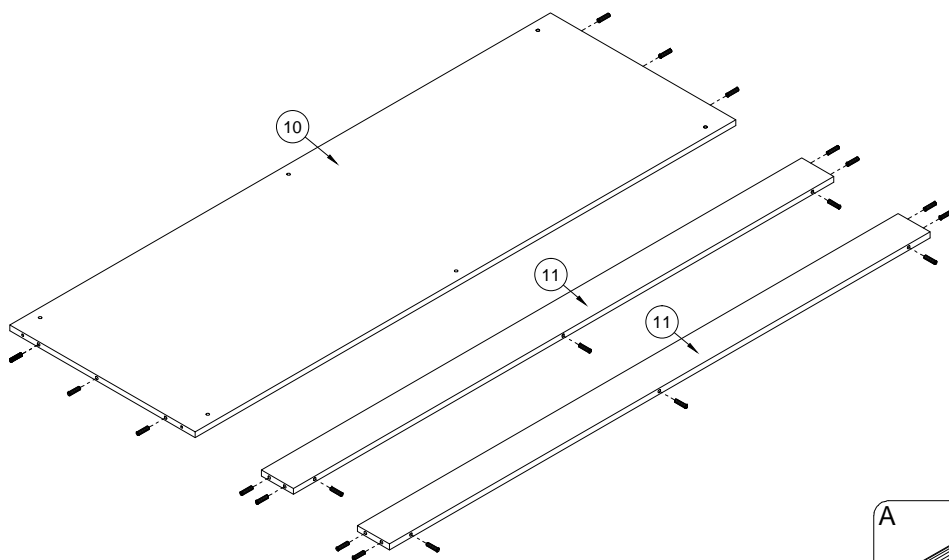
5



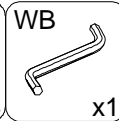
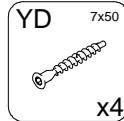
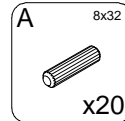
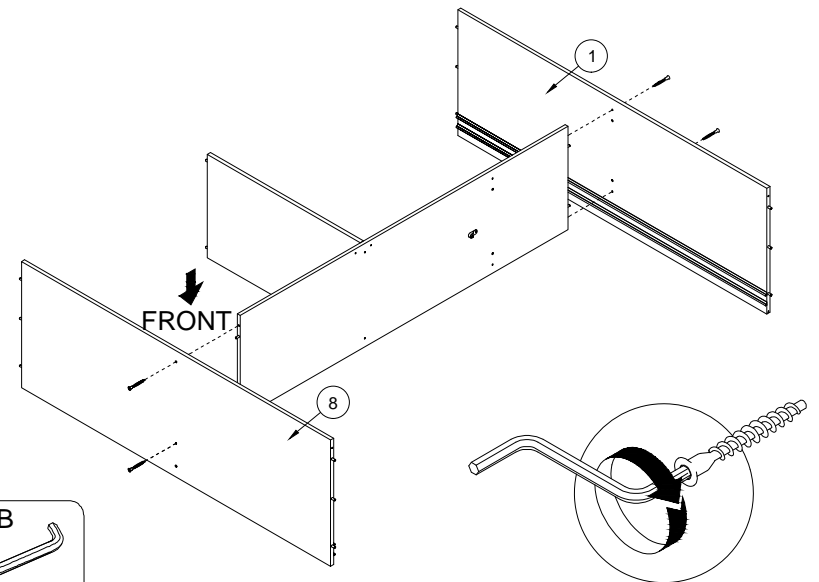
7

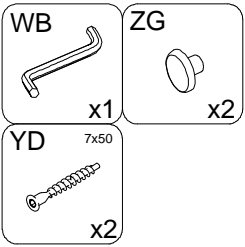


6

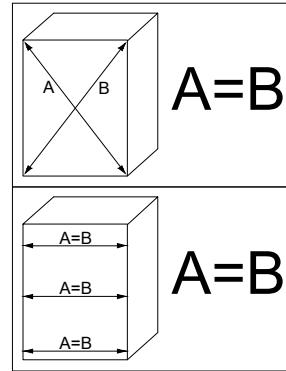
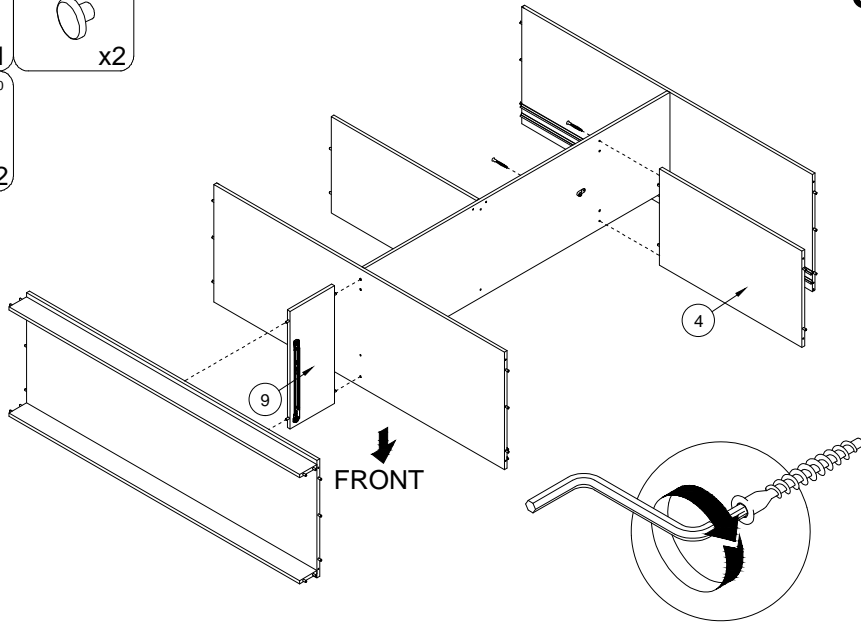


8

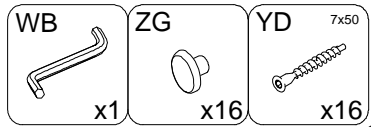




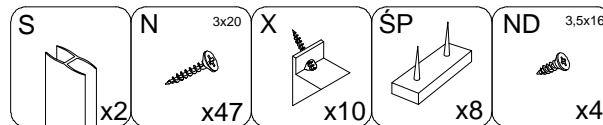
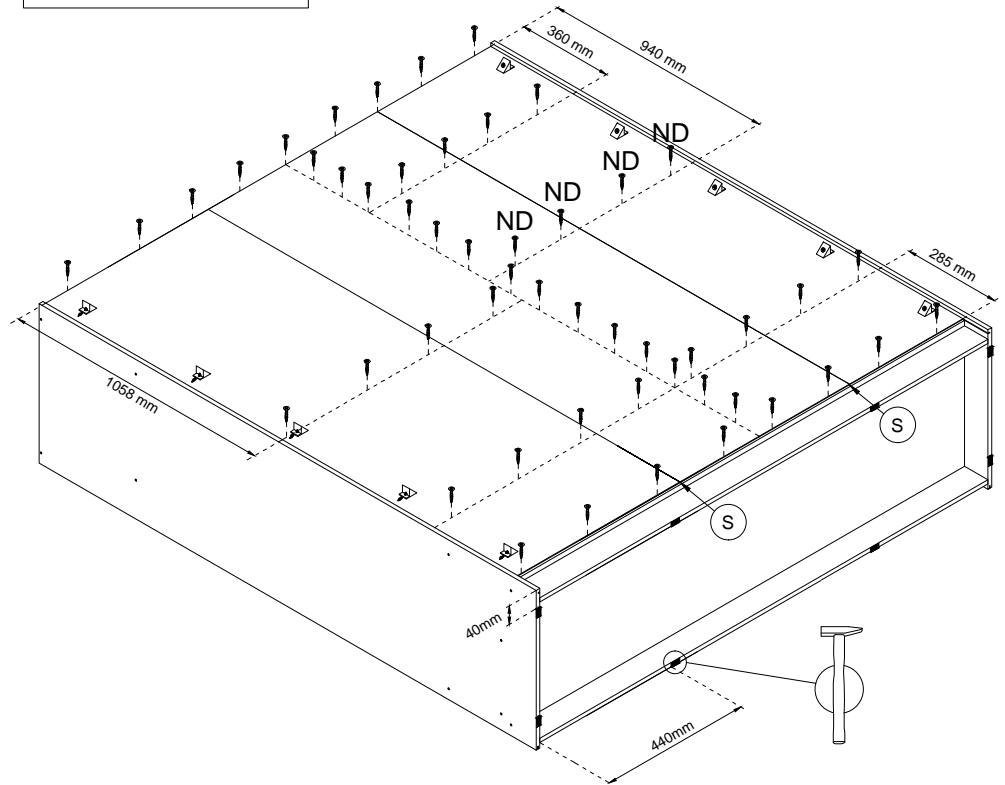
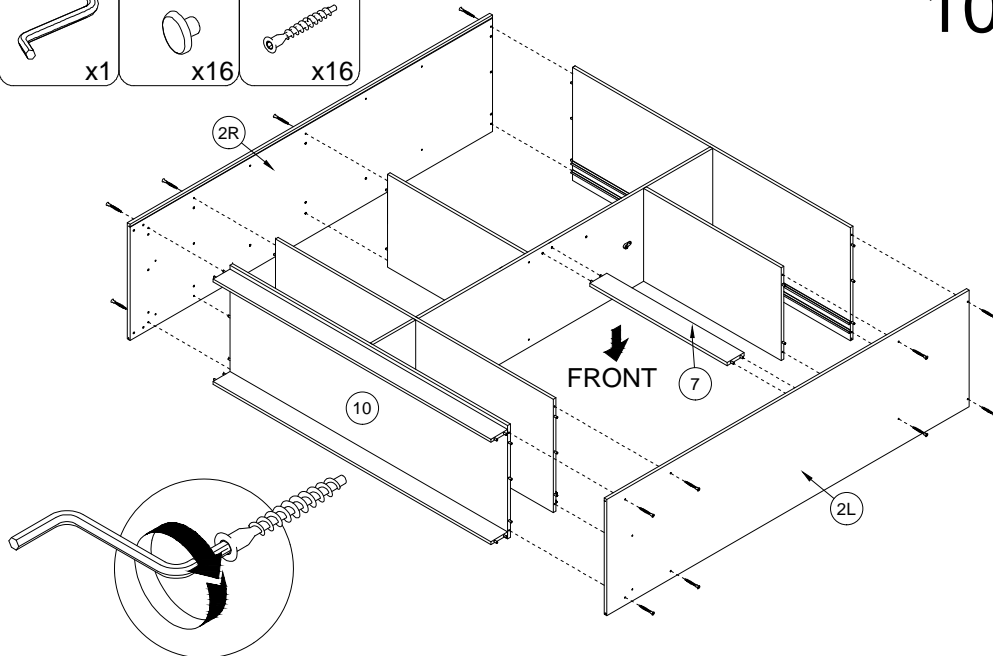
9



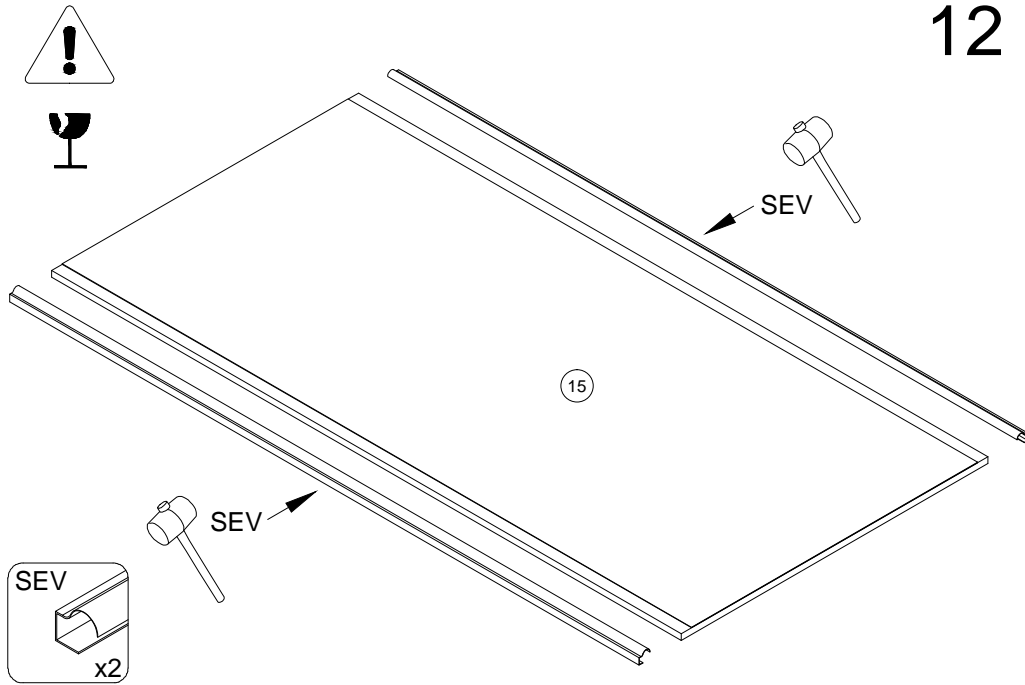
11



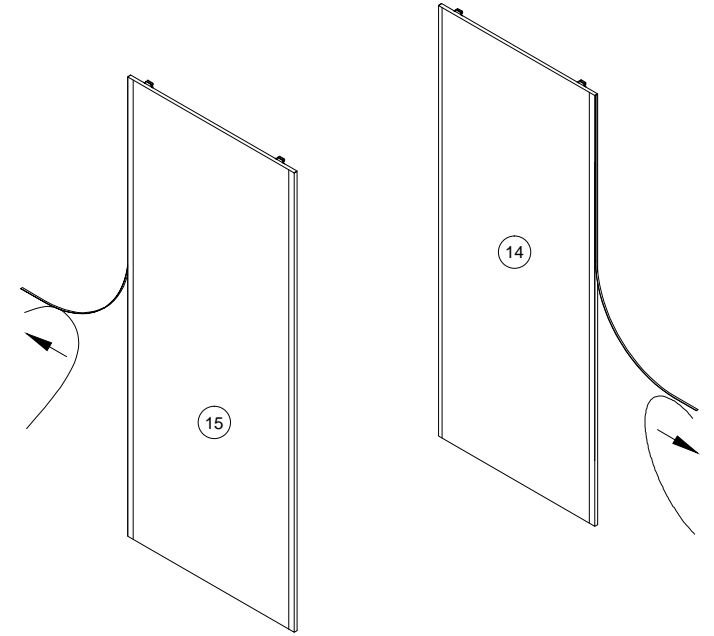
10



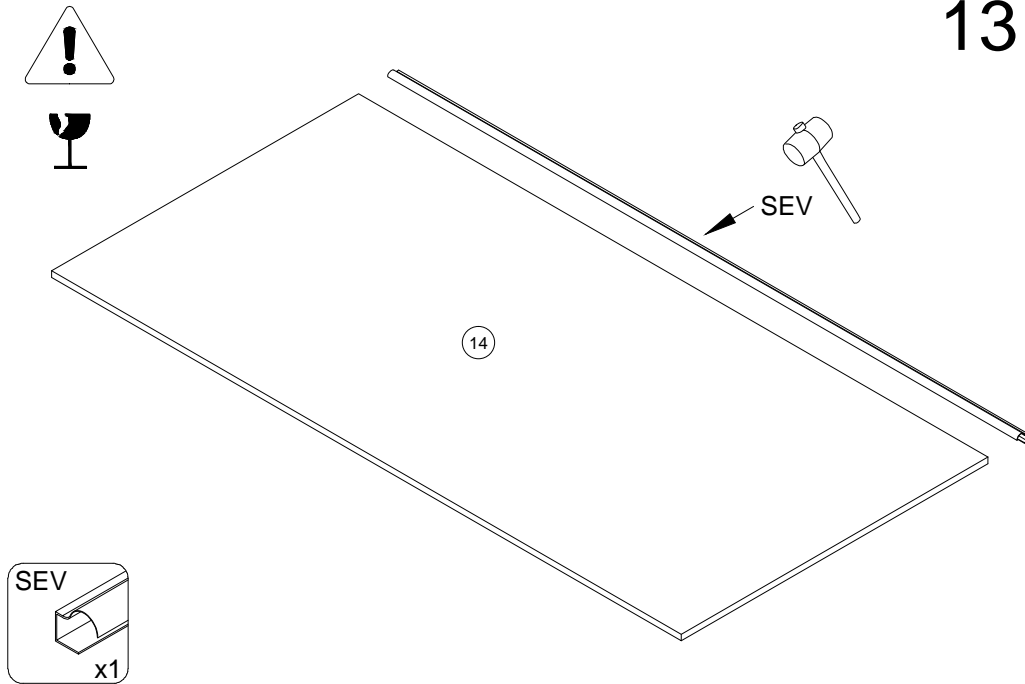
12



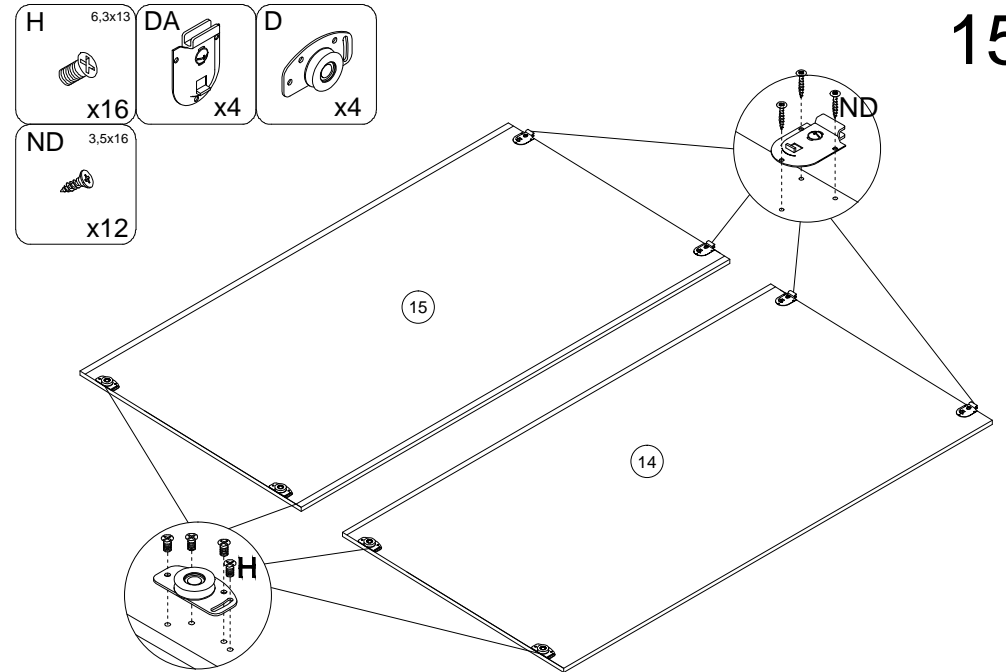
14



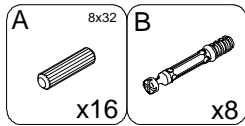
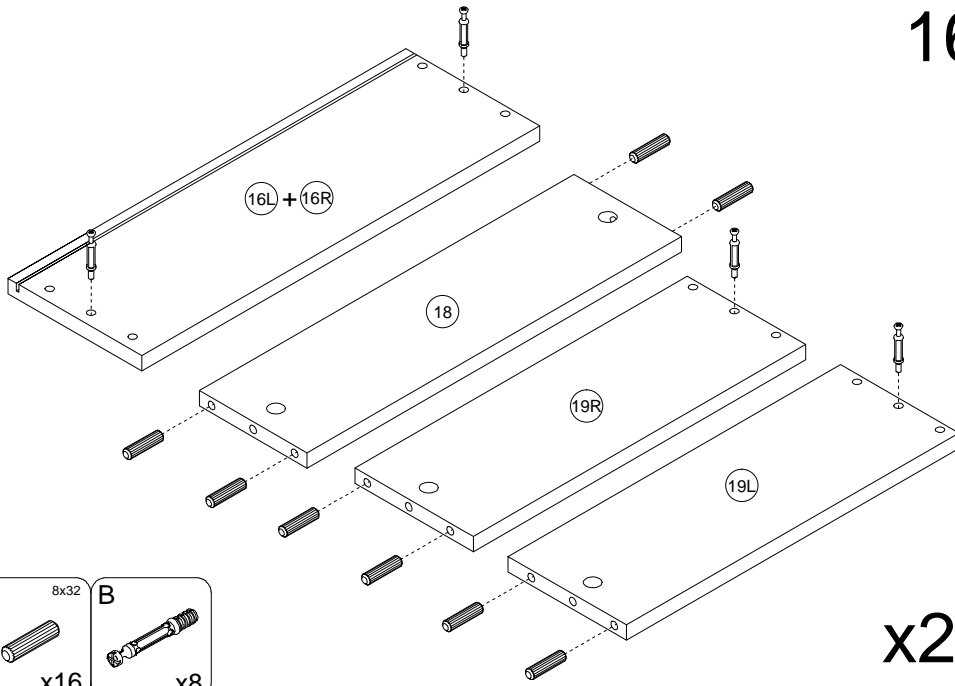
13



15

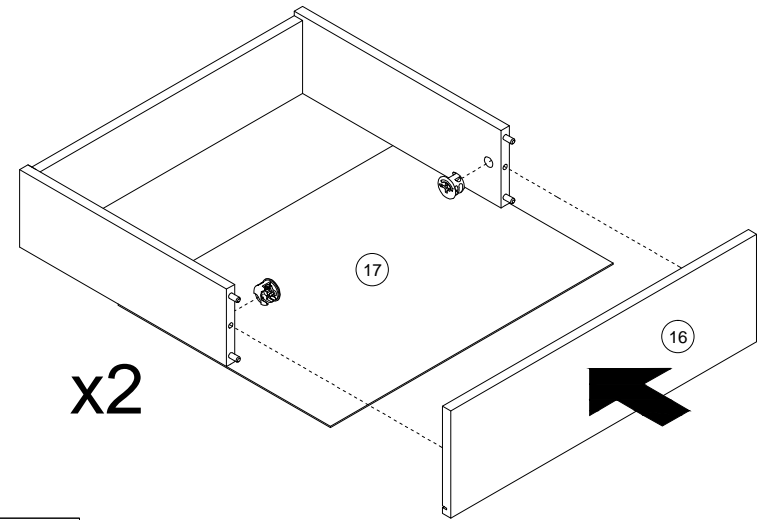


16

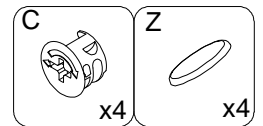
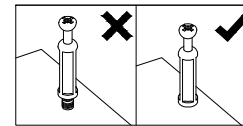


x2

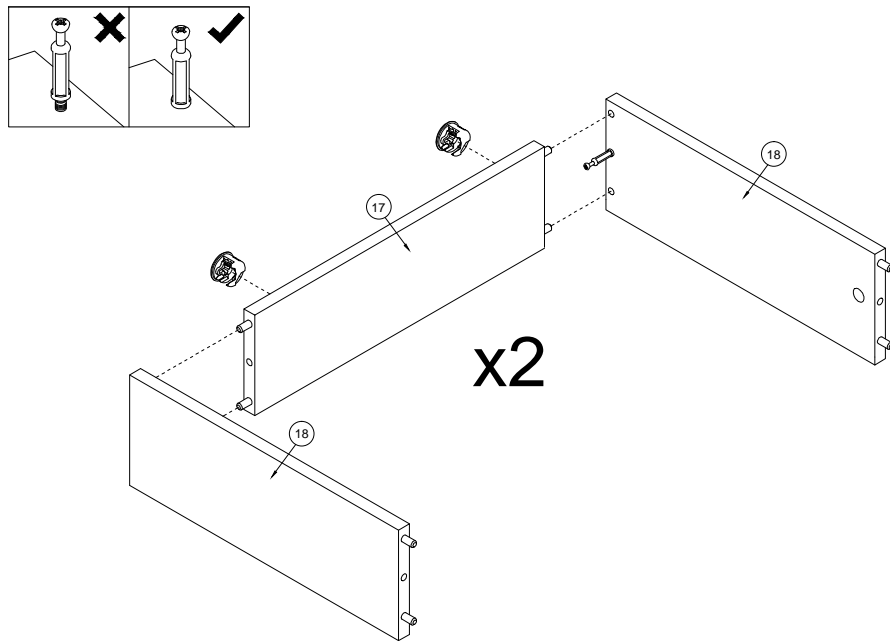
18



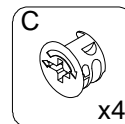
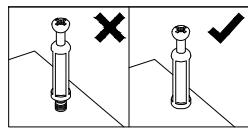
x2



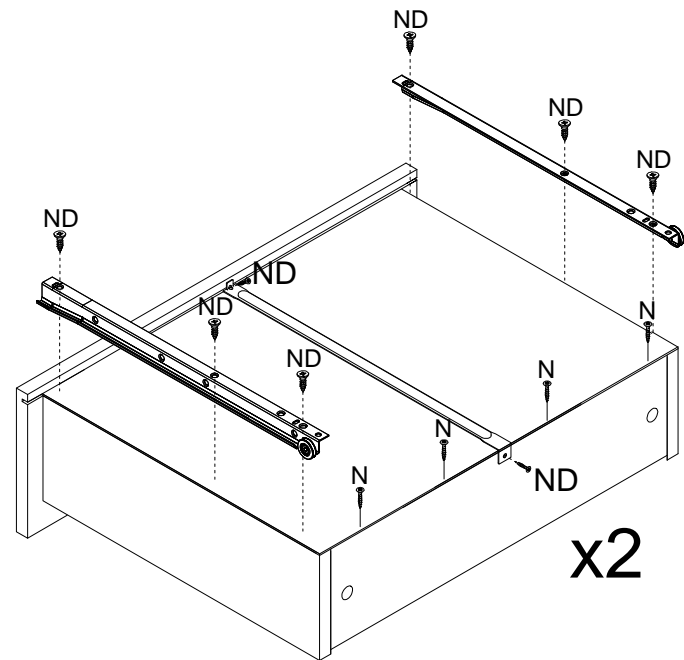
17



x2

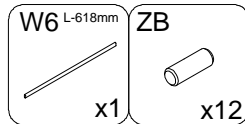
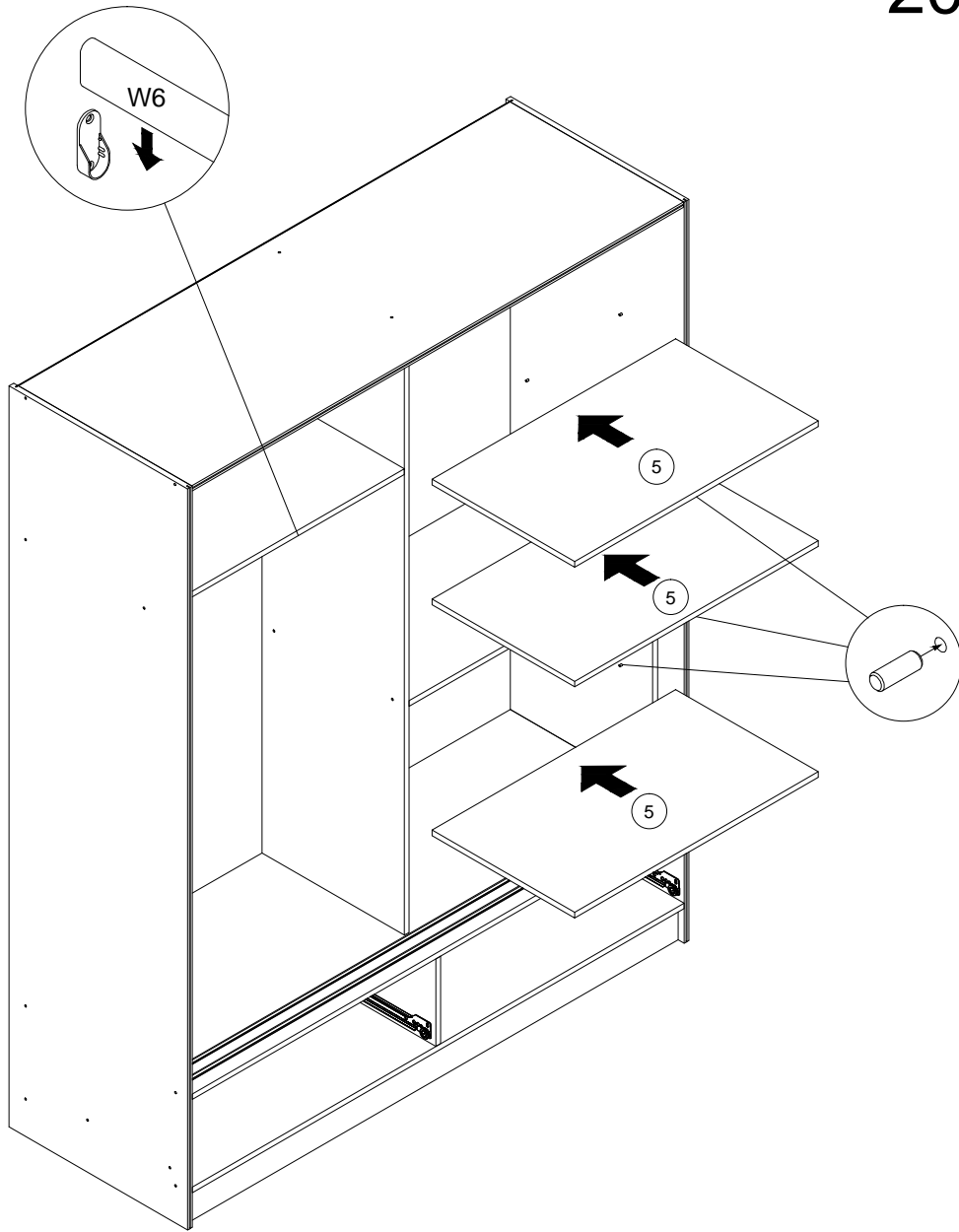


19

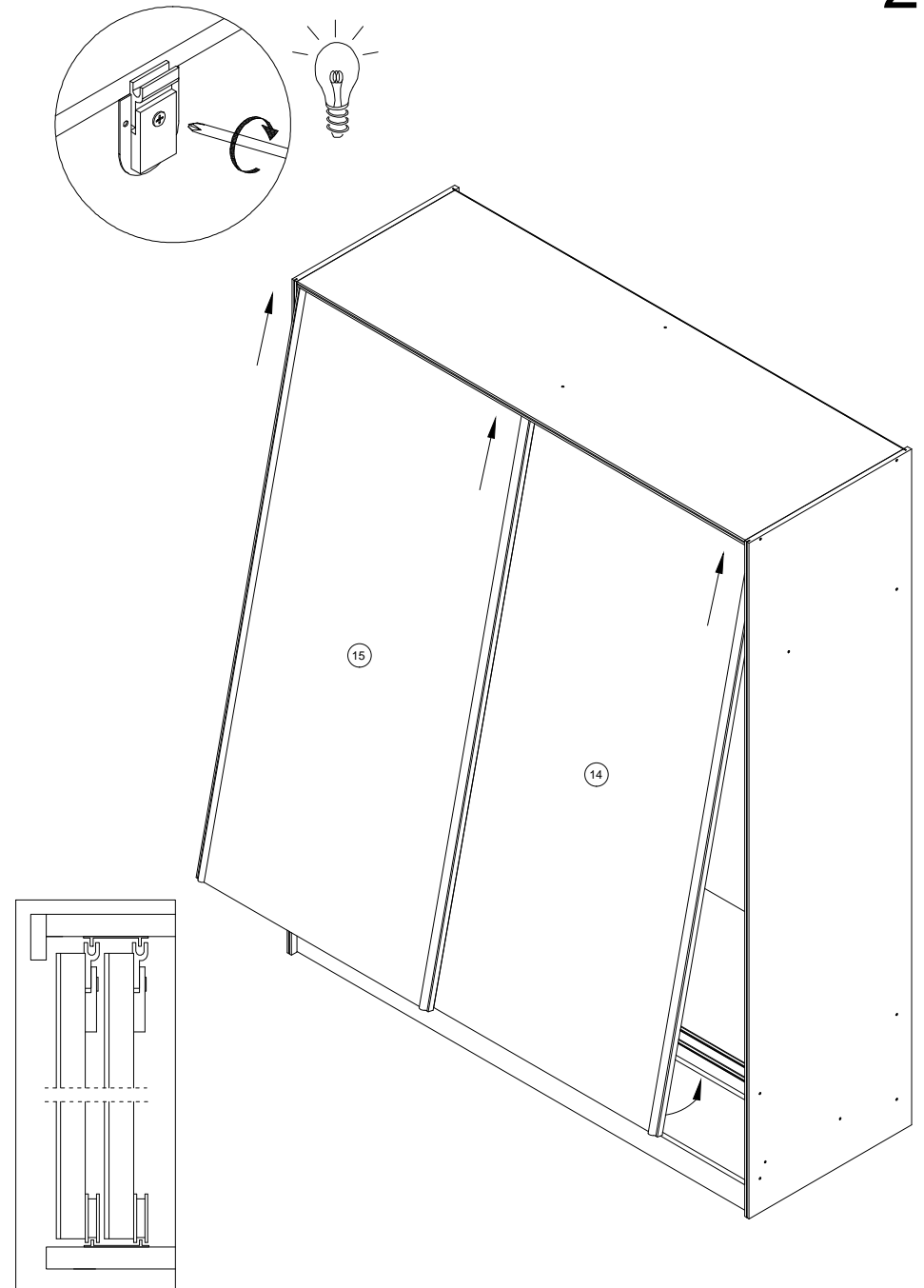


x2

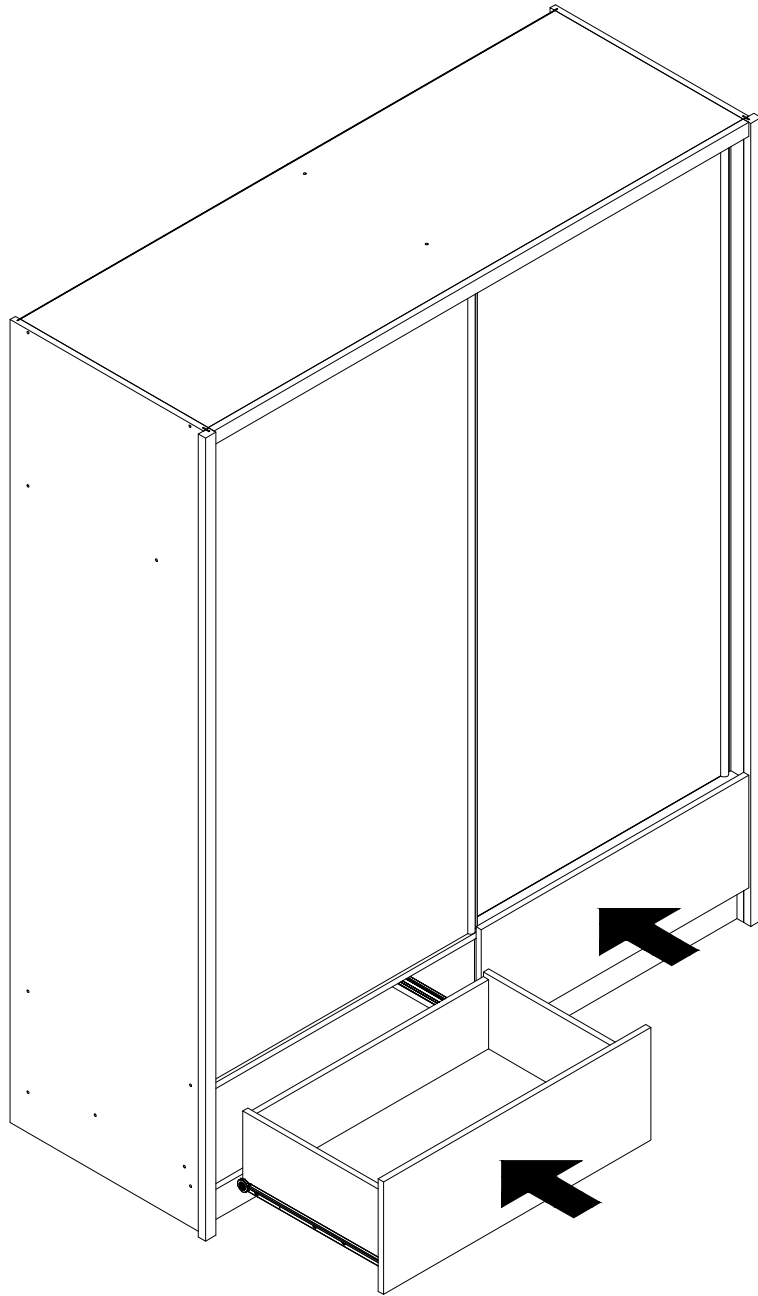
20



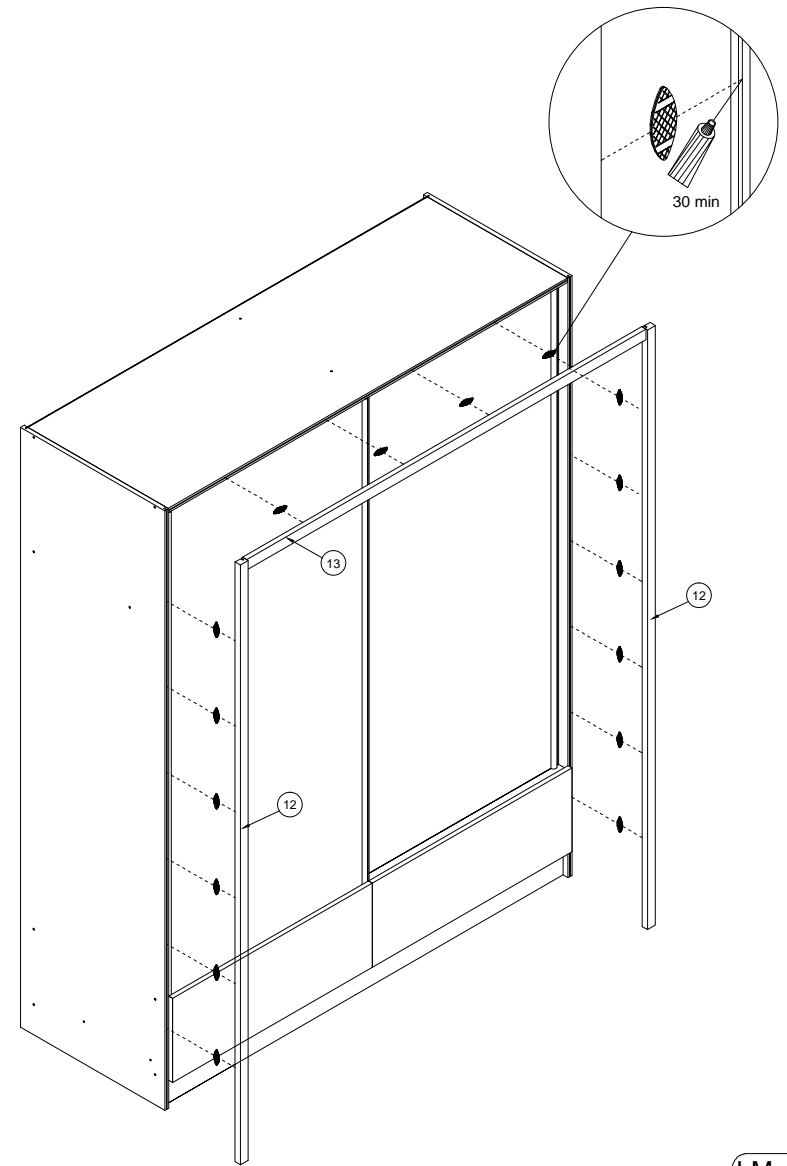
21



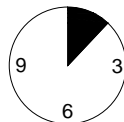
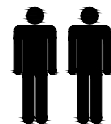
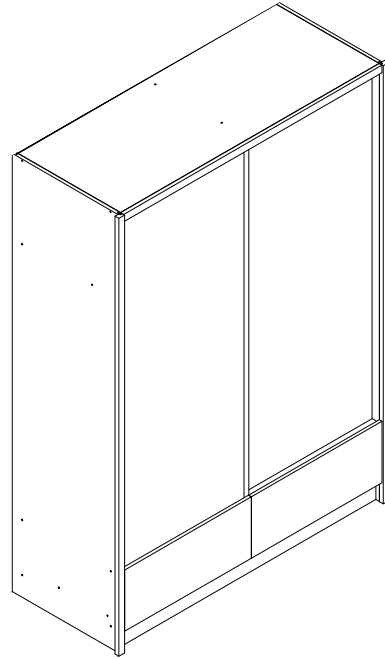
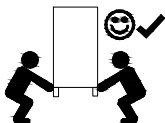
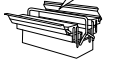
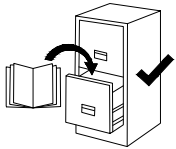
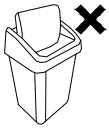
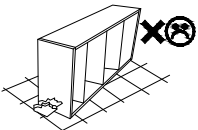
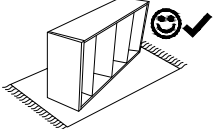
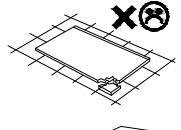
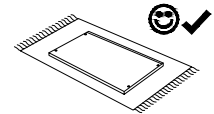
22



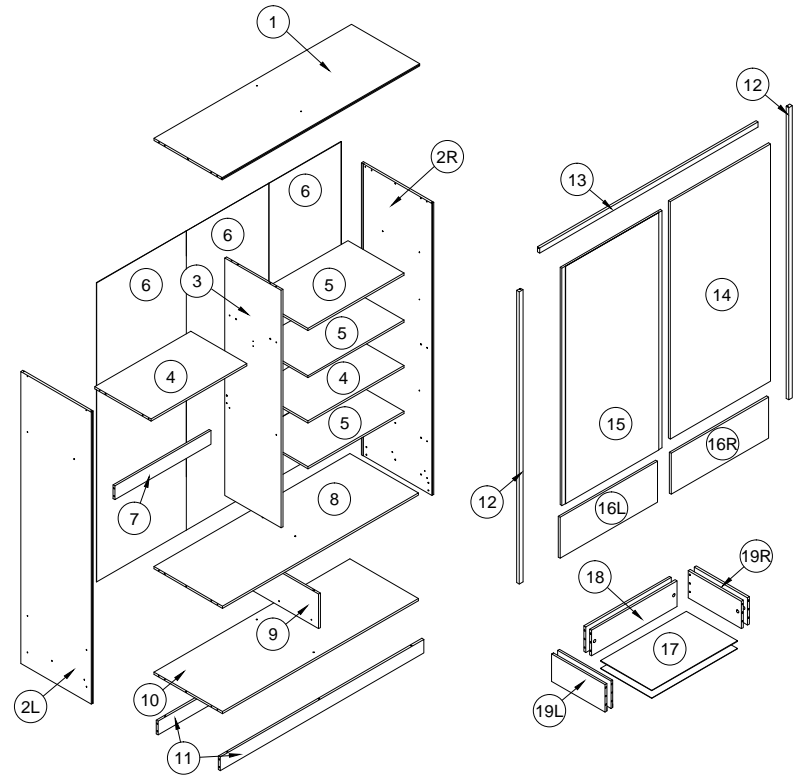
23



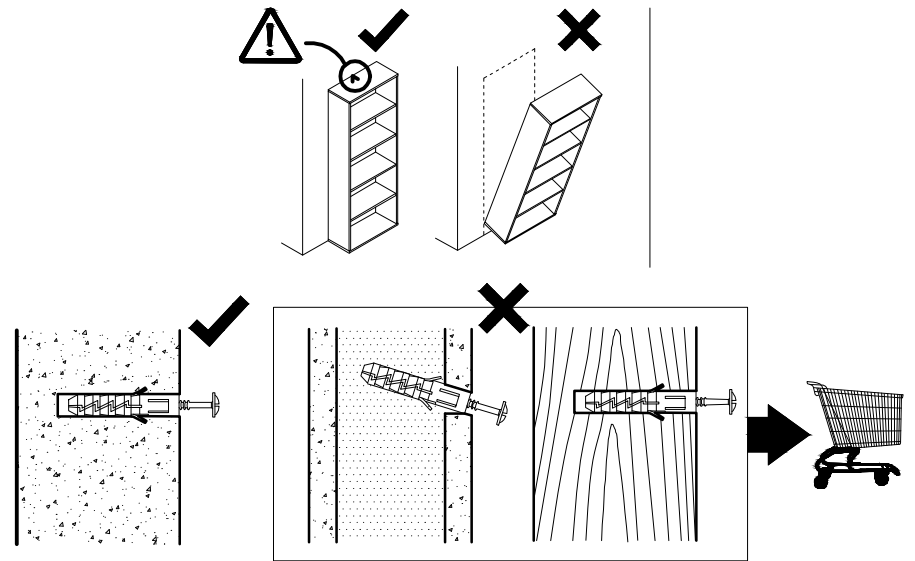
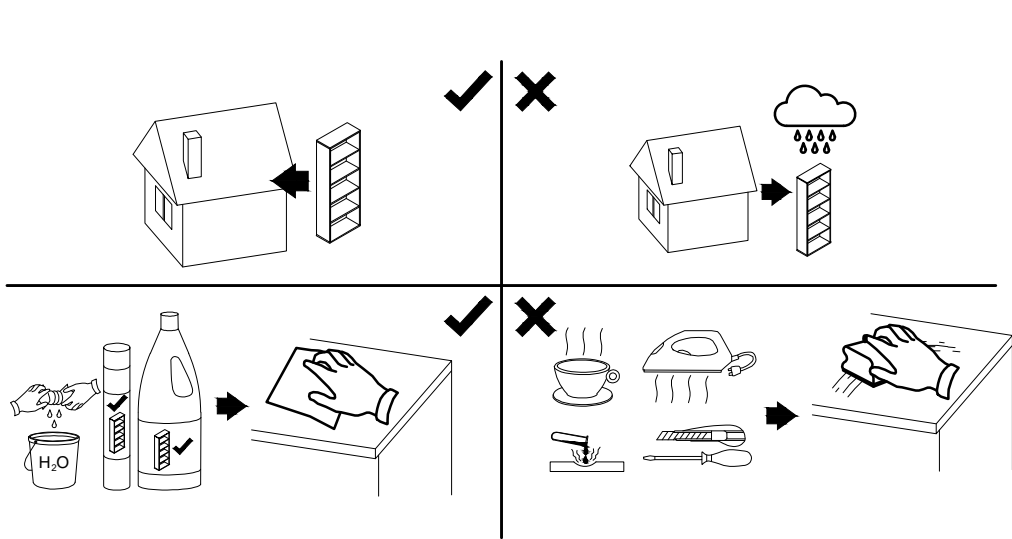
150

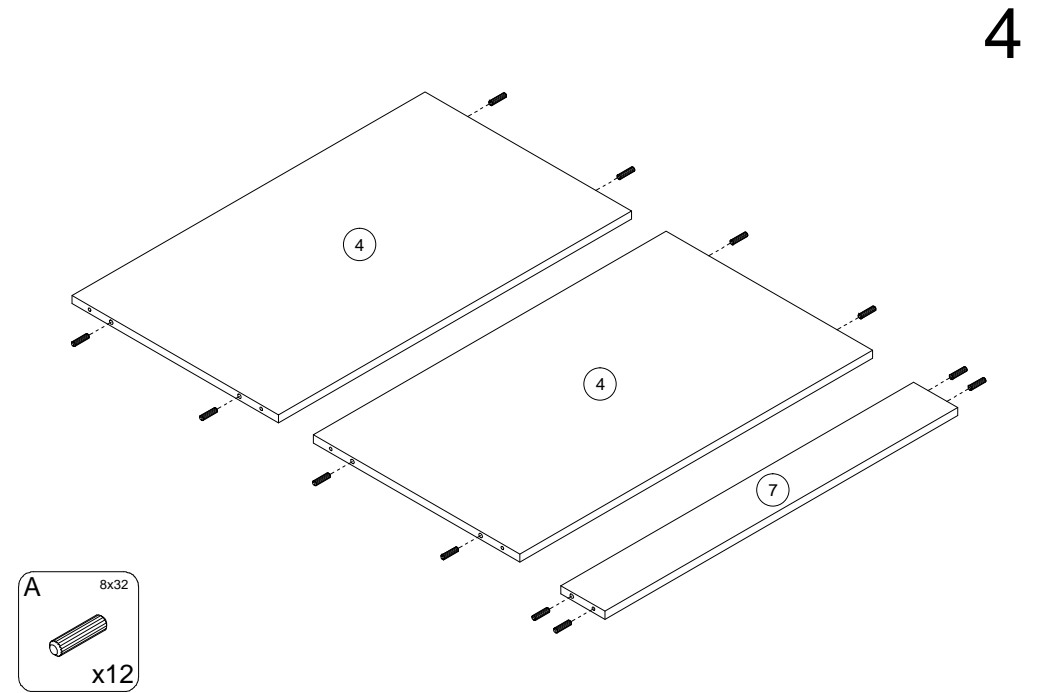
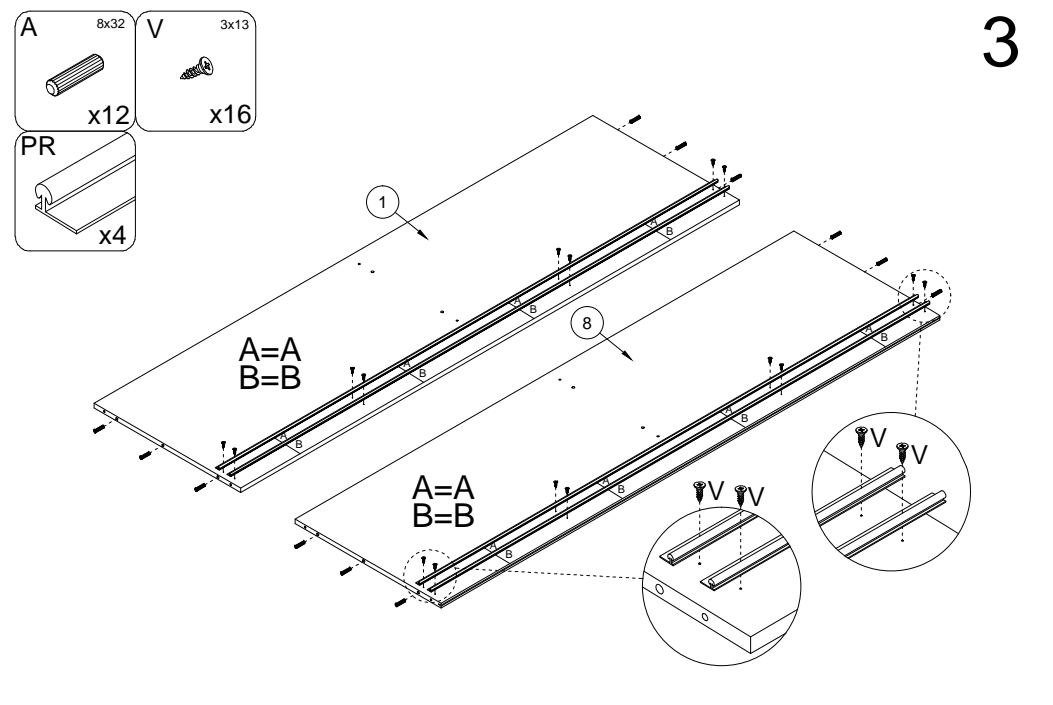
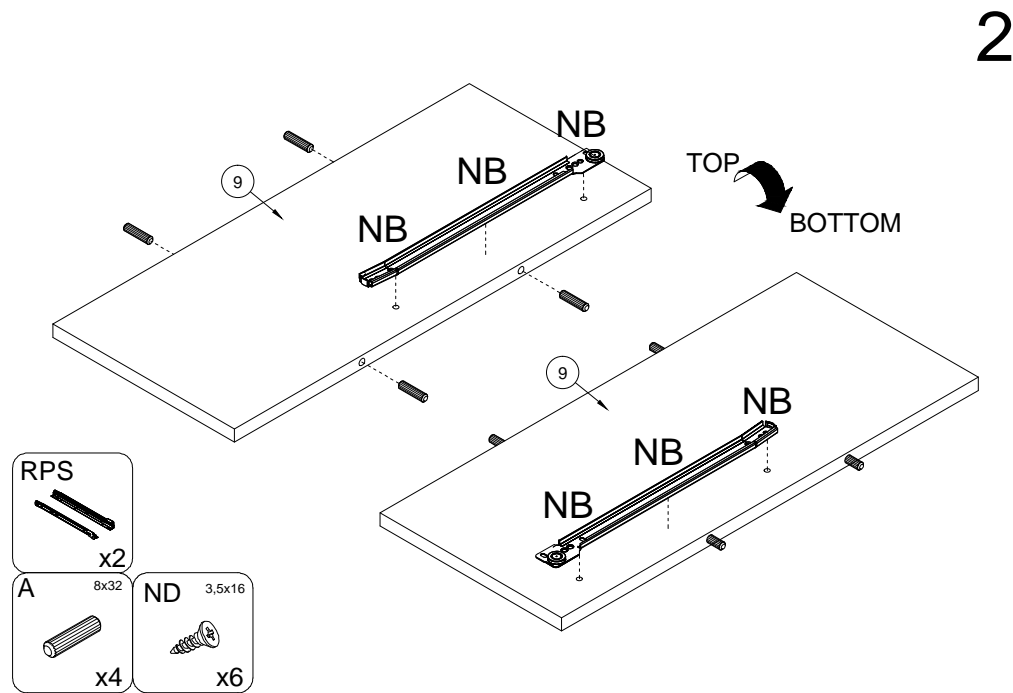
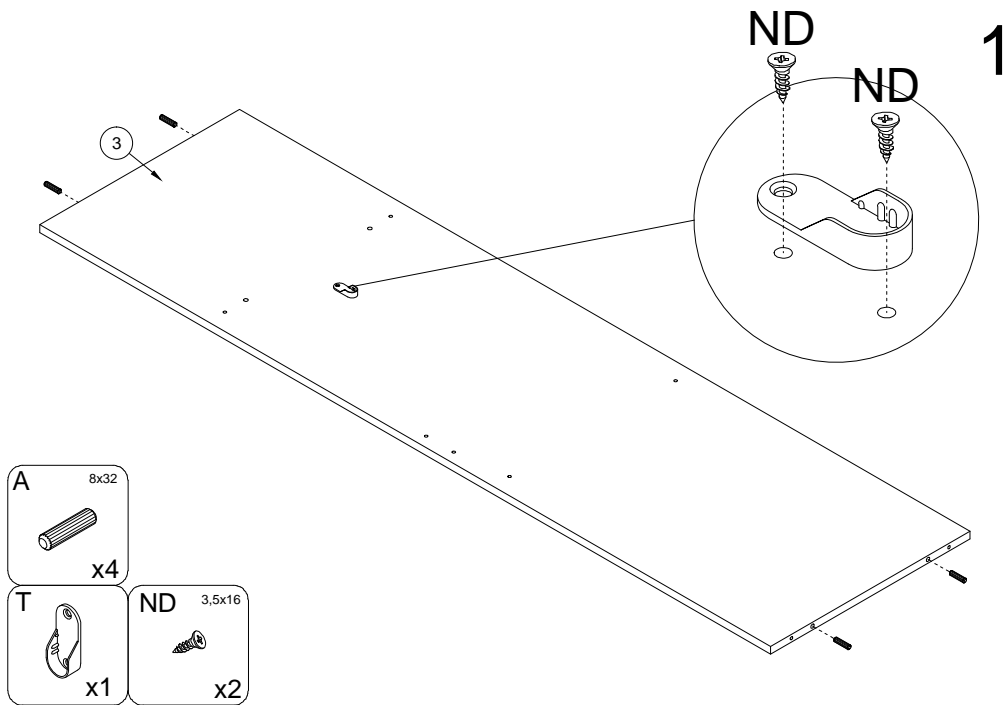


90 min.

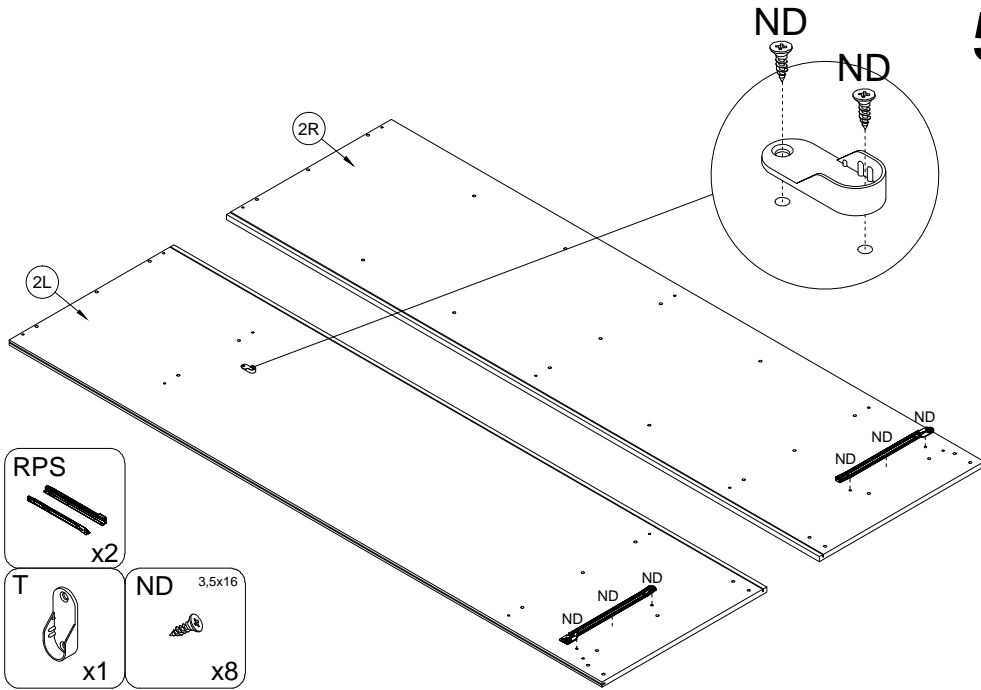


		LM		ZB	
		x17		x12	
S	L-2008mm	N	3x20	W6	L-618mm
	x2		x67		x1
SP		B		C	
	x8		x8		x8
Z		SZP			
	x4		x2		
A	8x32	RPS		X	
	x70		x2		x10
GLUE		SEV		DB	L-1715mm
	x2		x3		x2
H	6,3x13	DA			
	x16		x4		
T		ND	3,5x16	V	3x13
	x2		x49		x16
PR		YD	7x50	WB	
	x4		x24		x1
ZG		D			
	x20		x4		

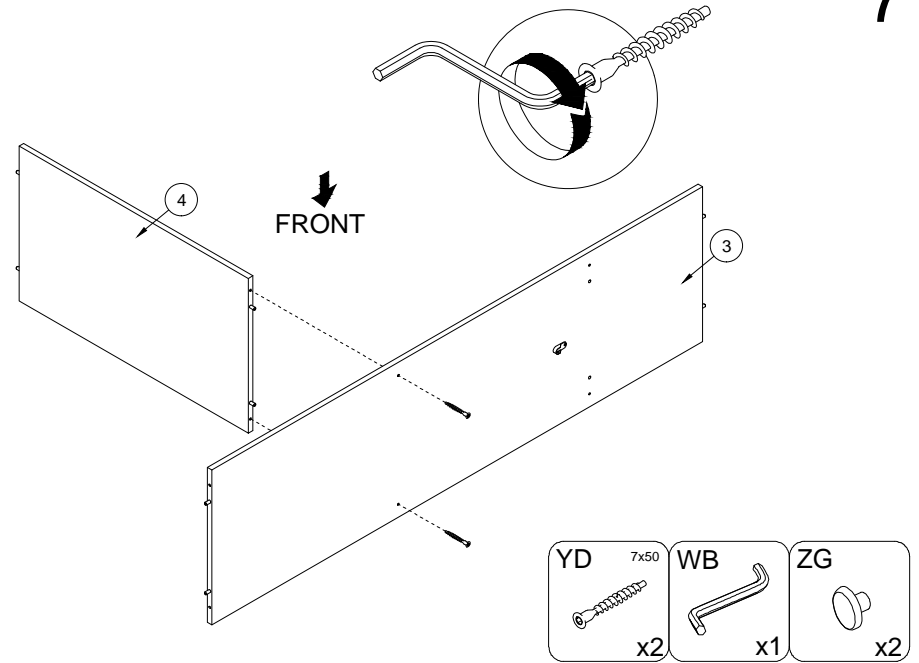




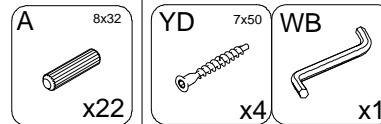
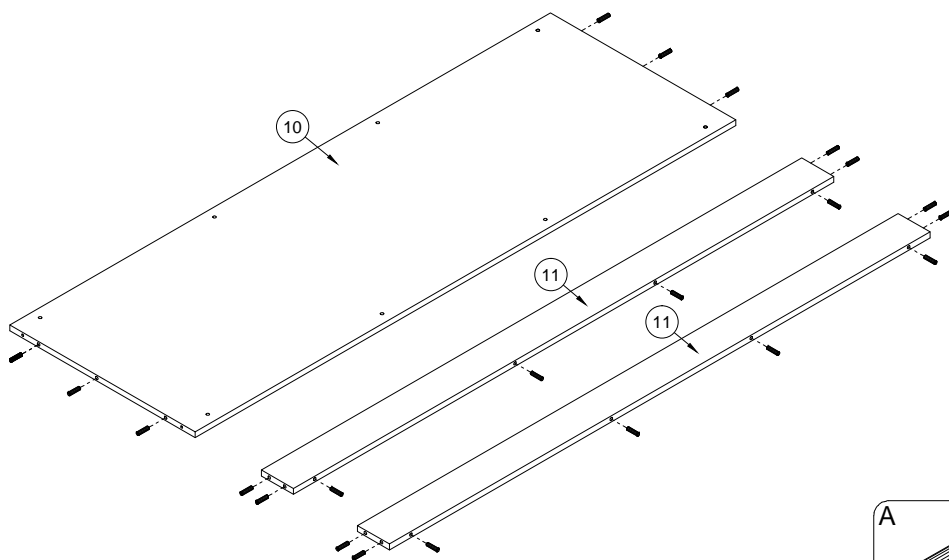
5



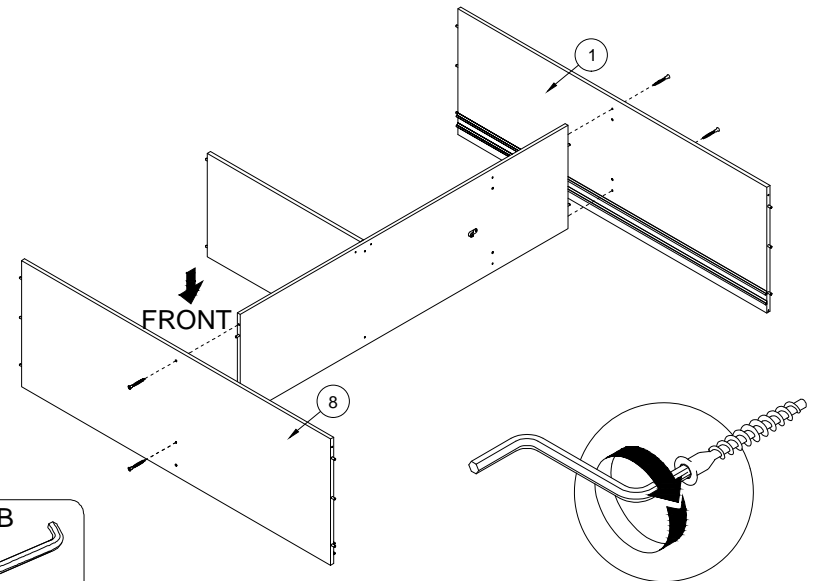
7

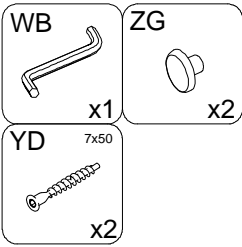


6

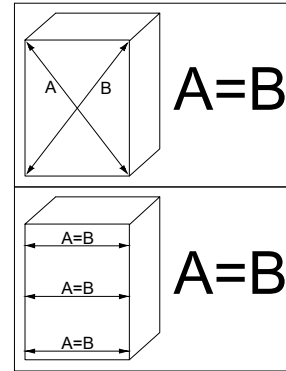
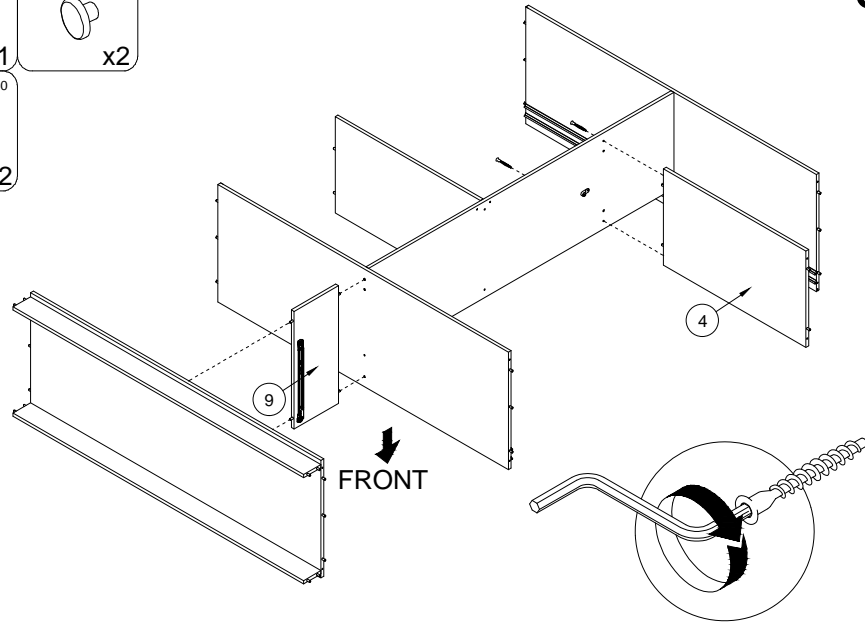


8

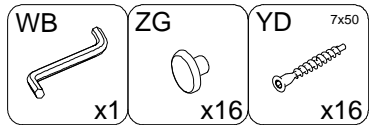
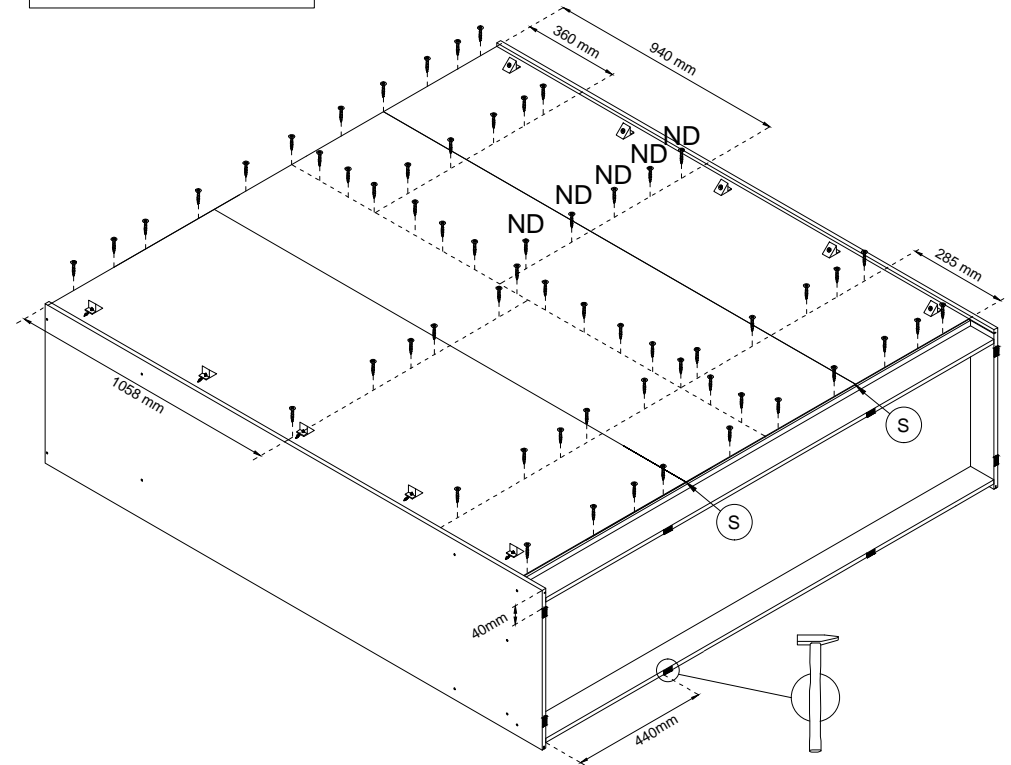




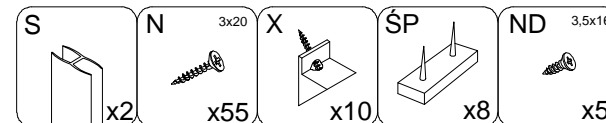
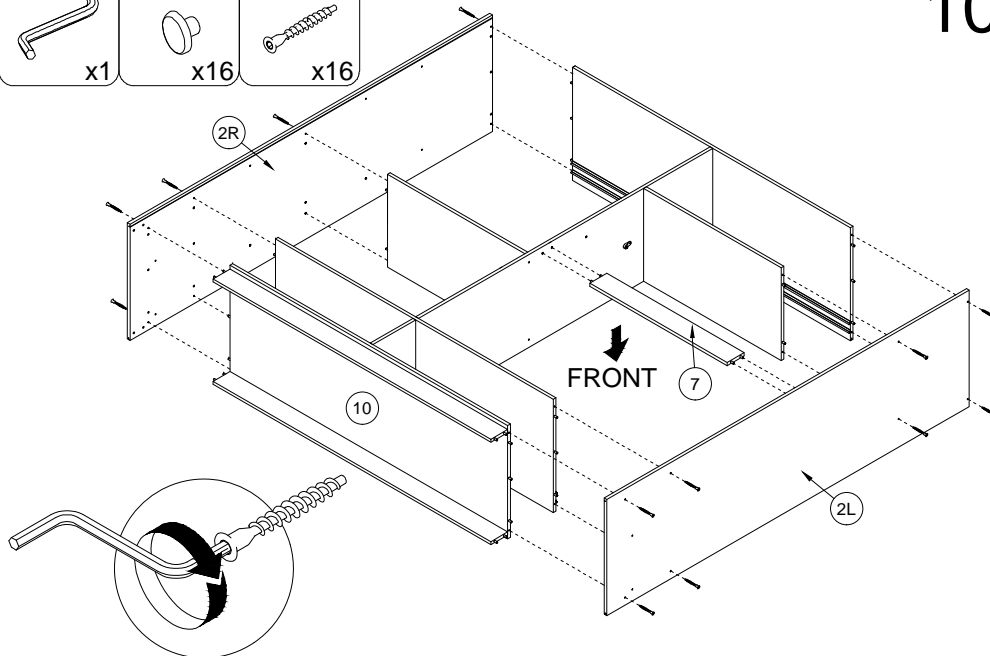
9



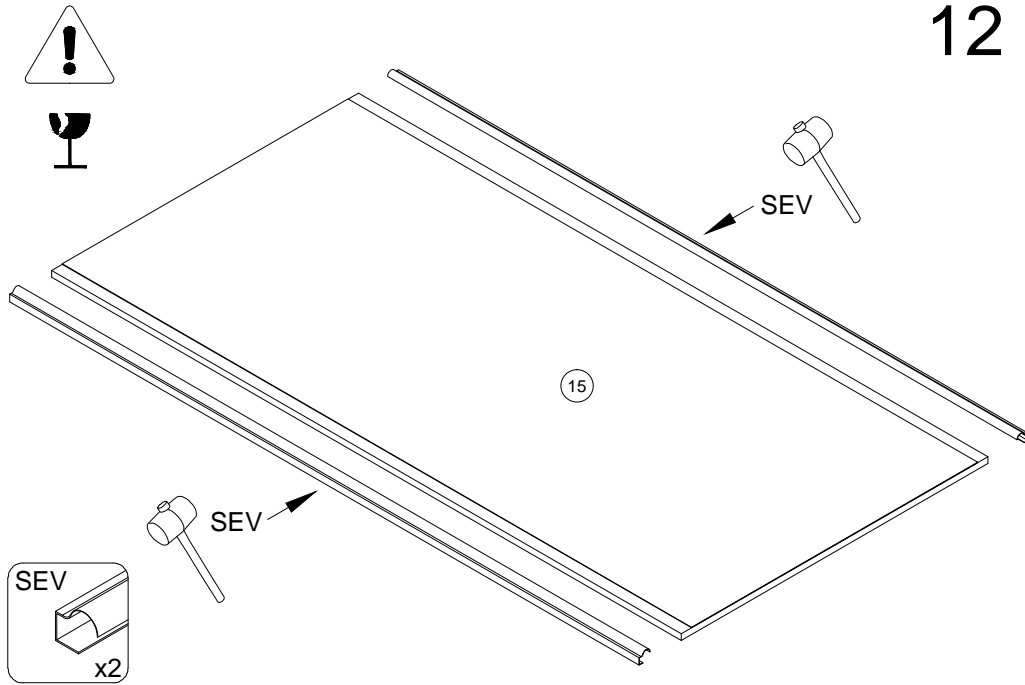
11



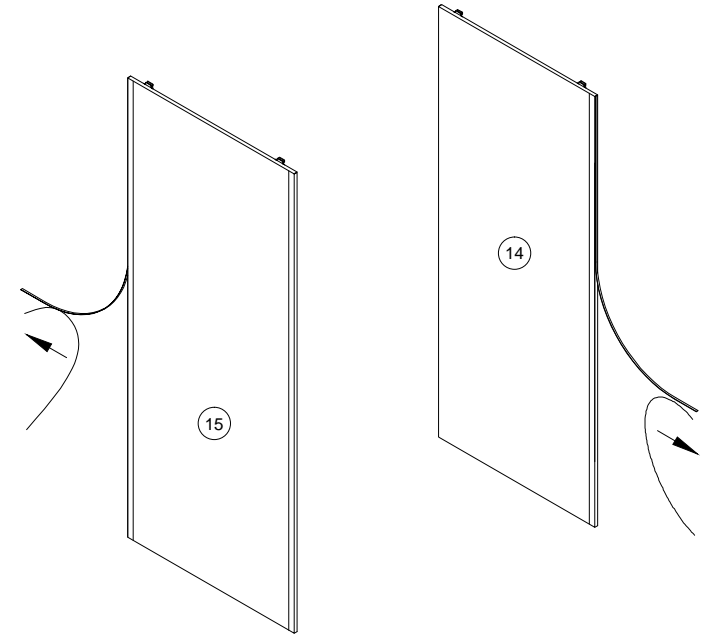
10



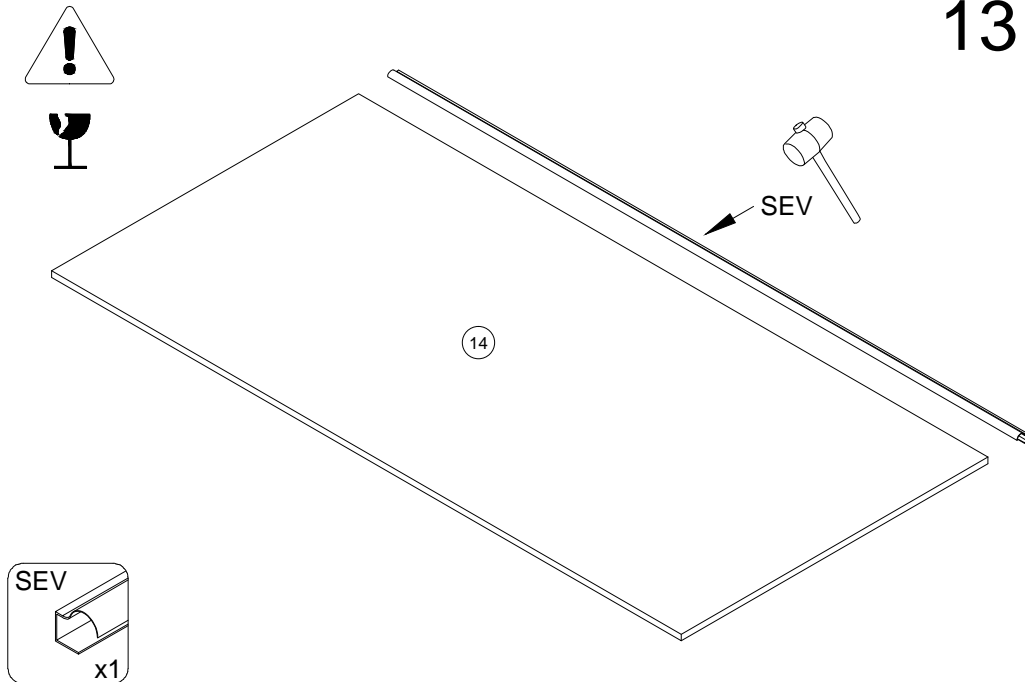
12



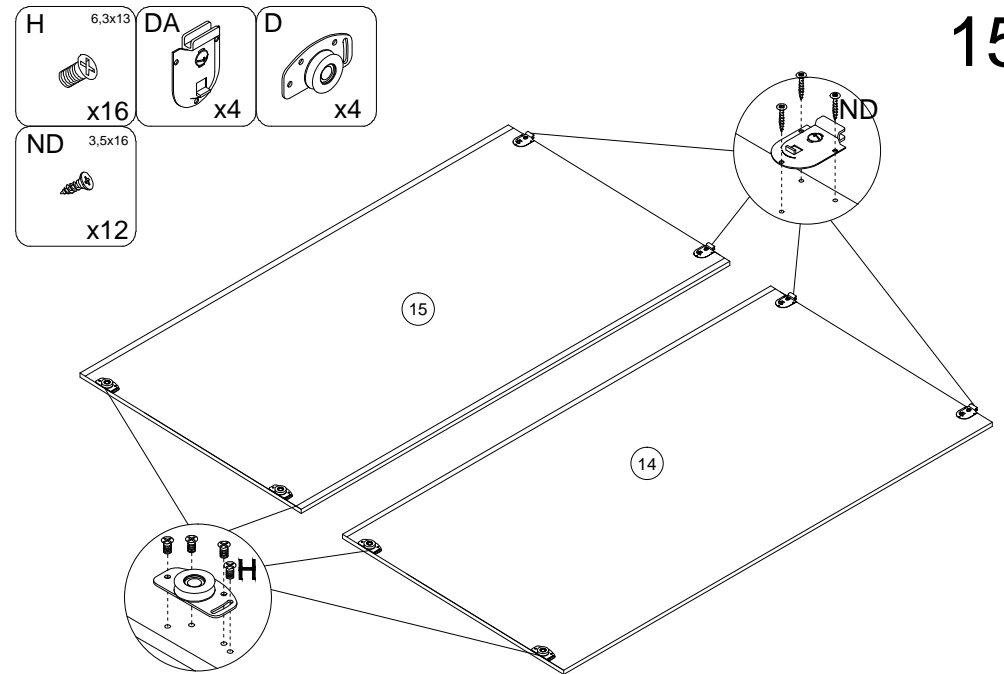
14



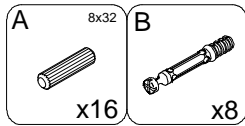
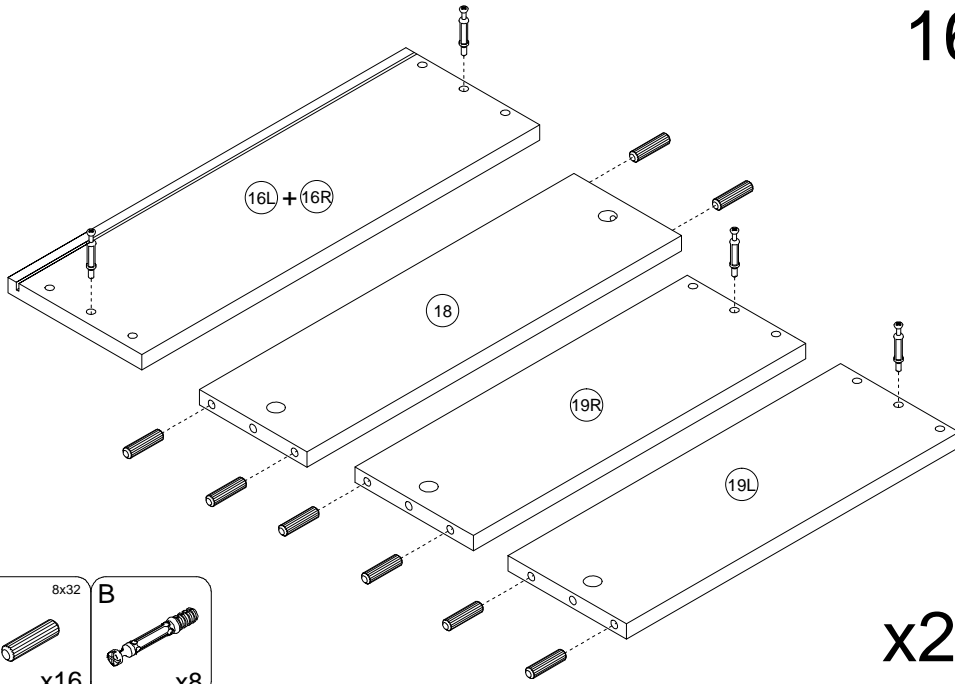
13



15

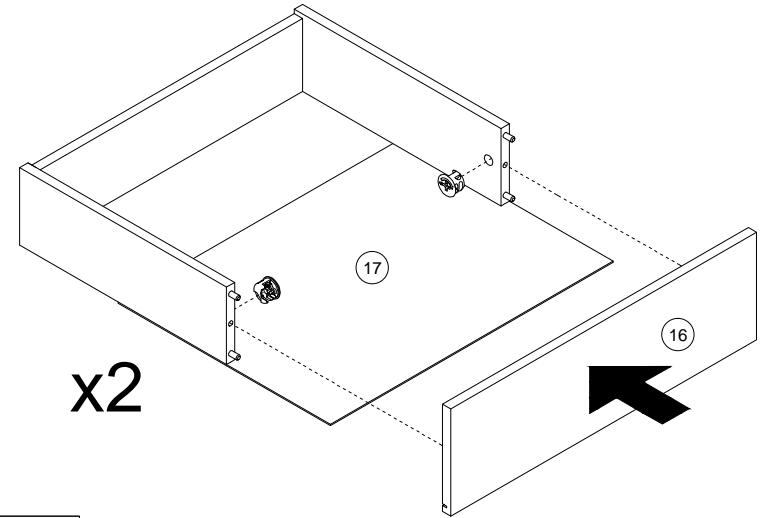


16

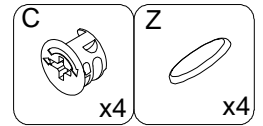
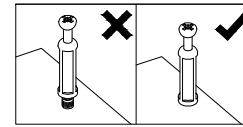


x2

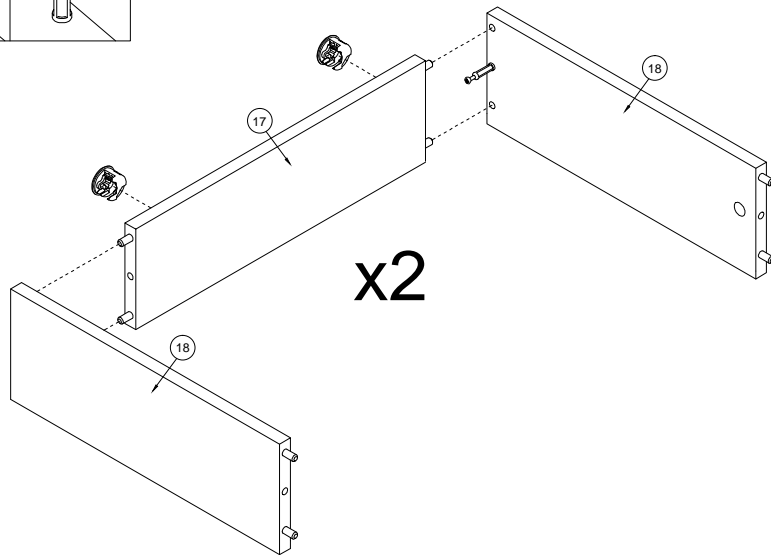
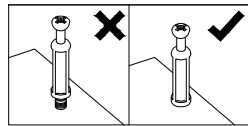
18



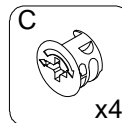
x2



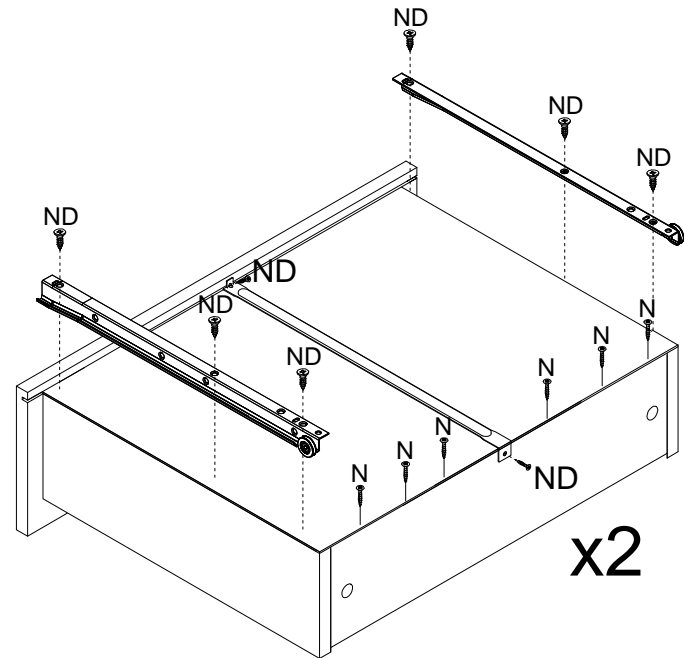
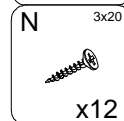
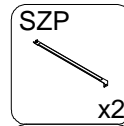
17



x2

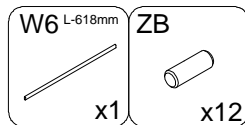
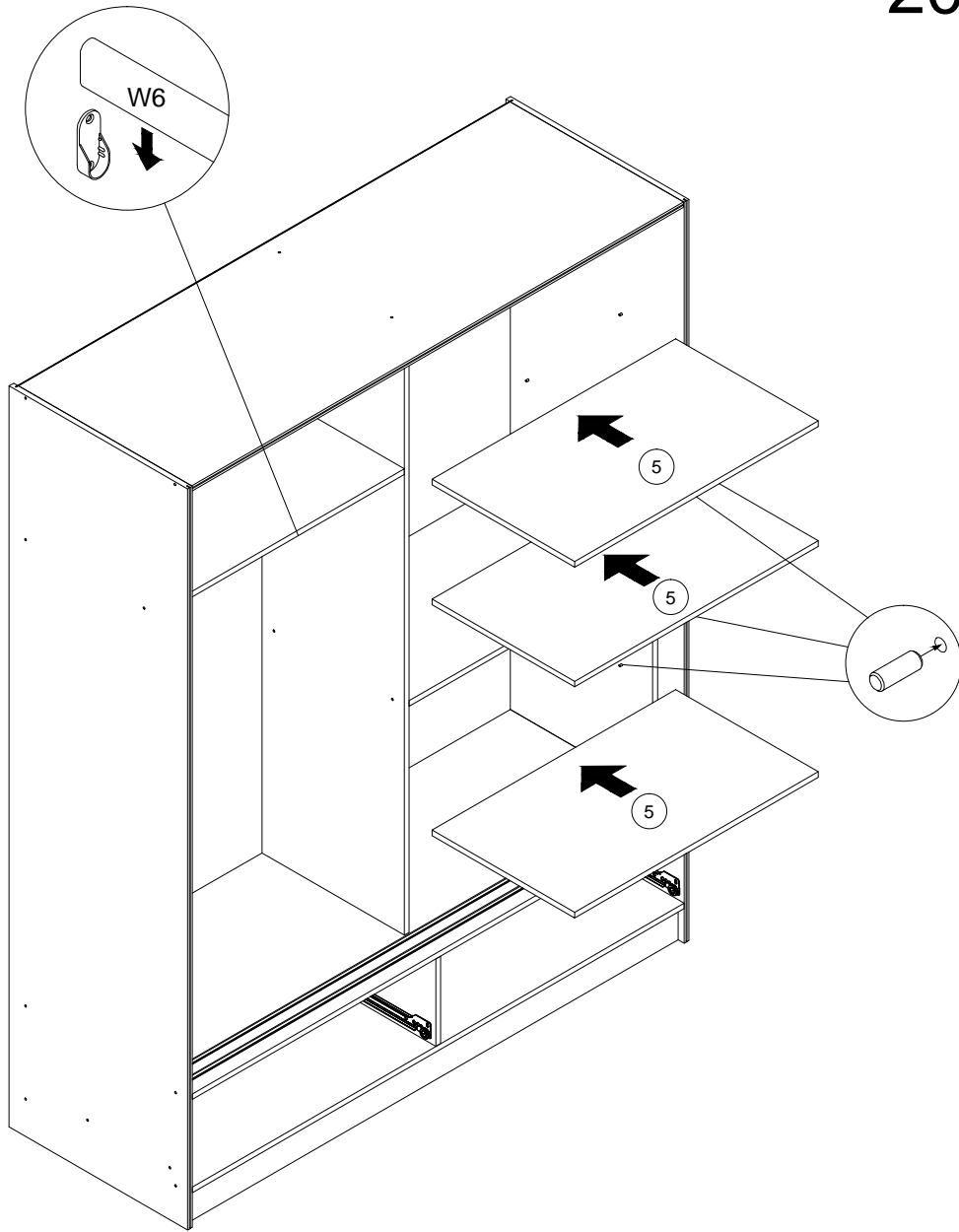


19

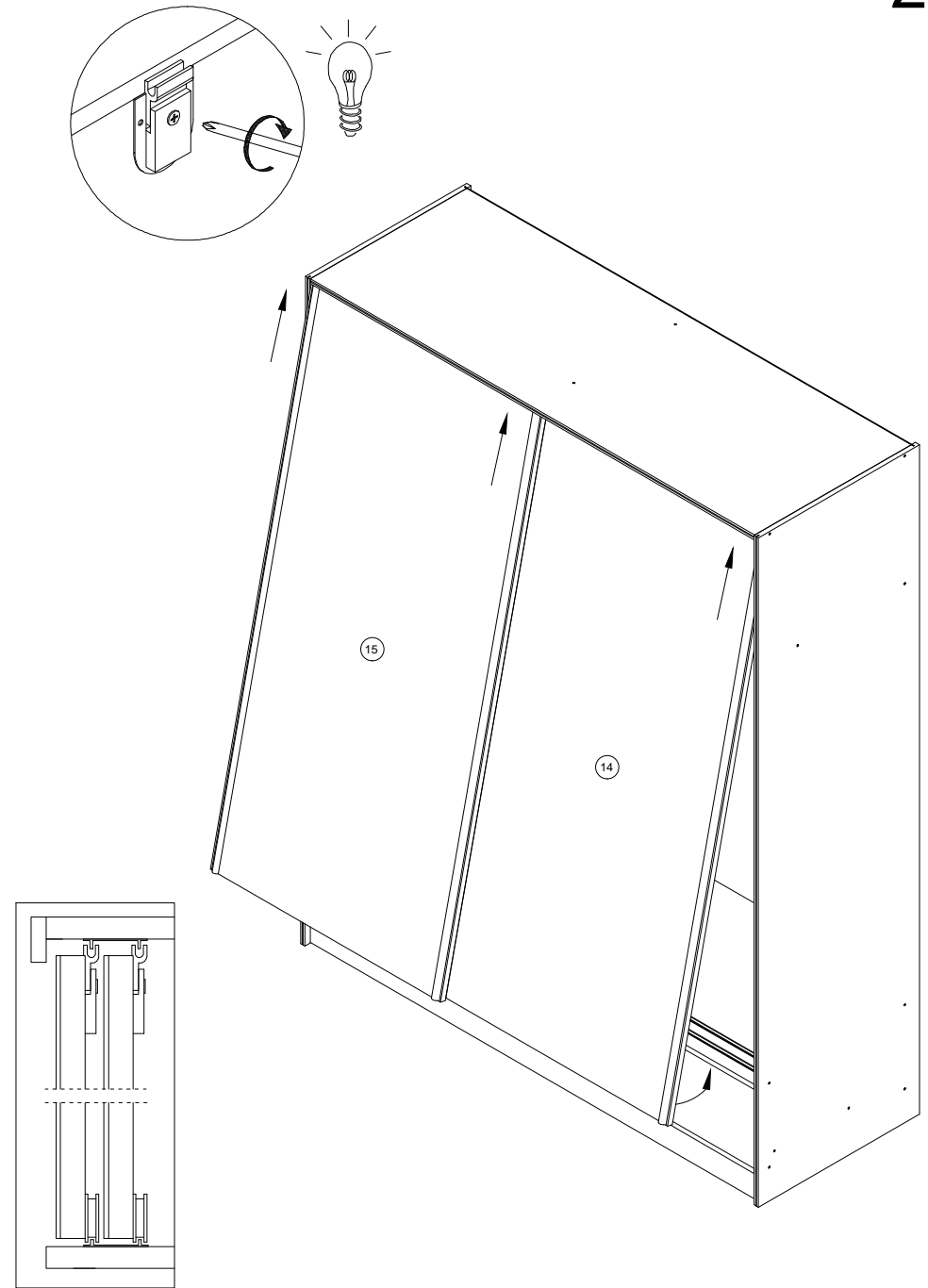


x2

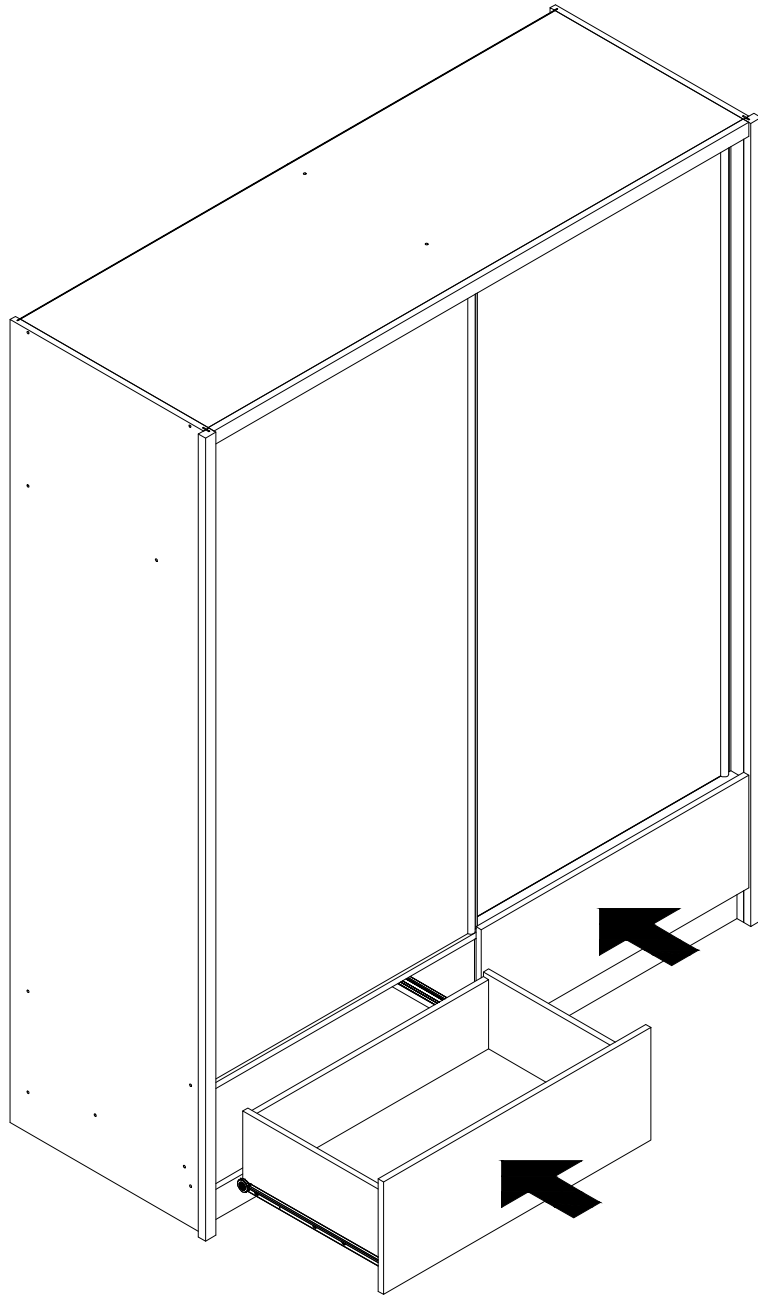
20



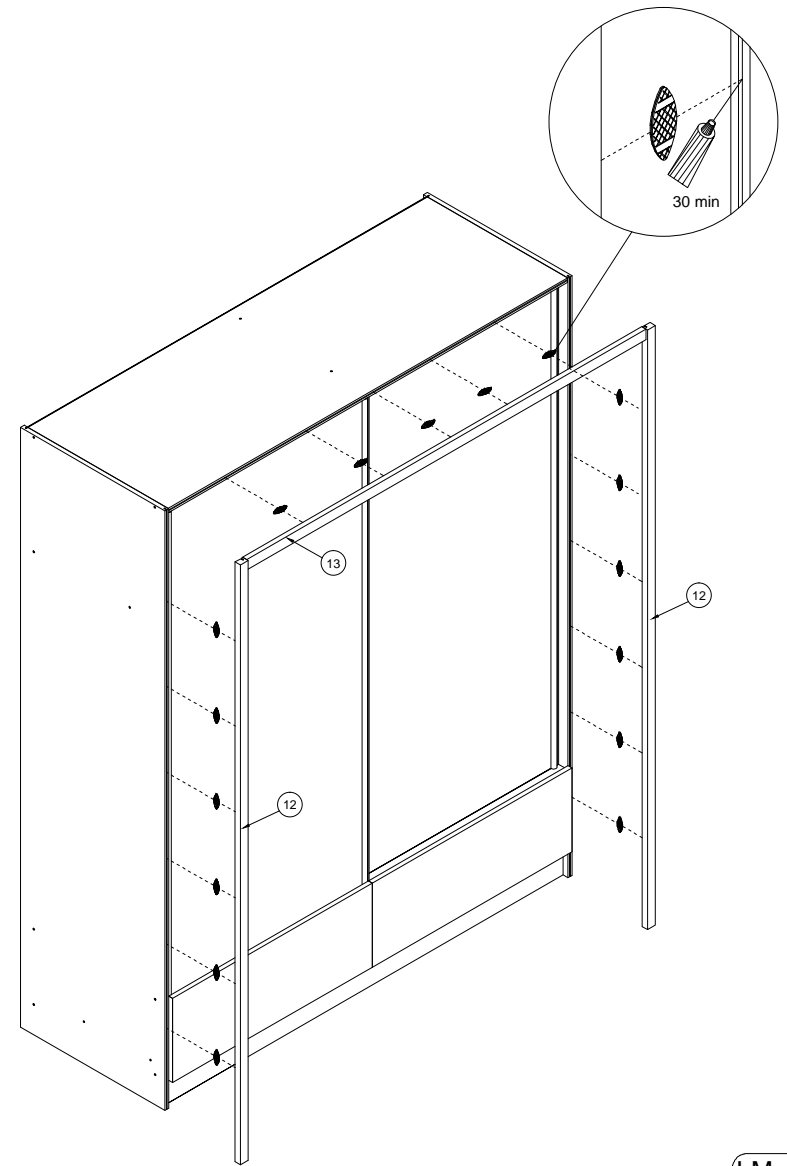
21



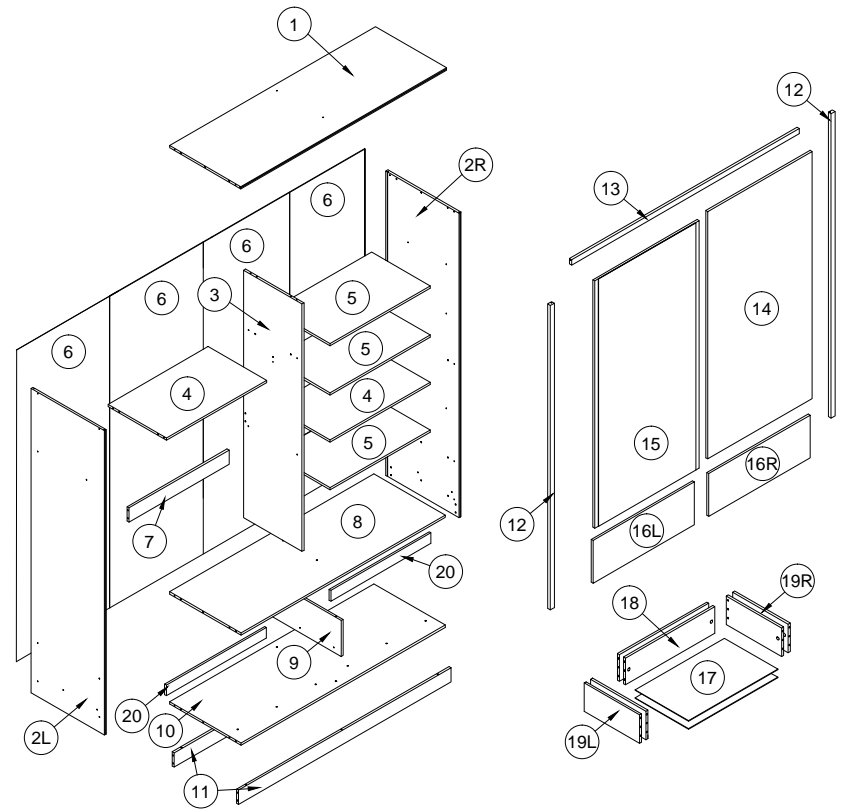
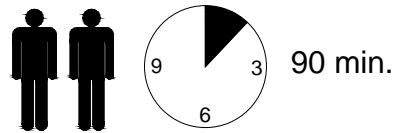
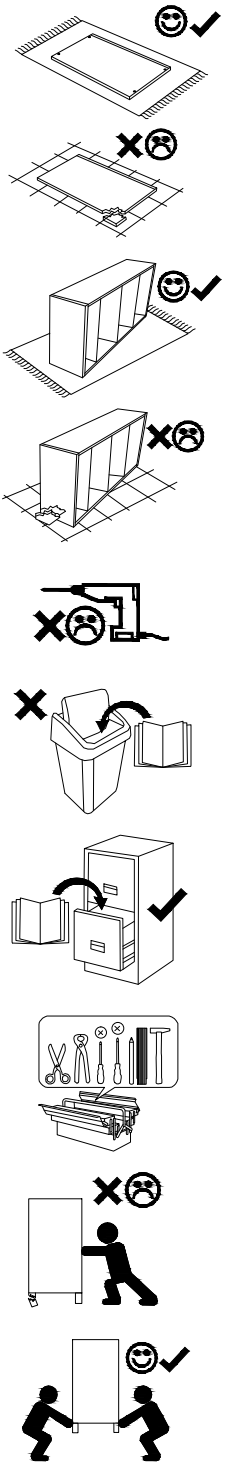
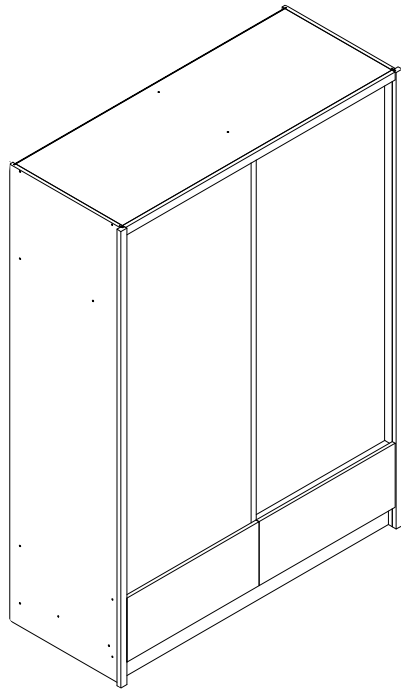
22



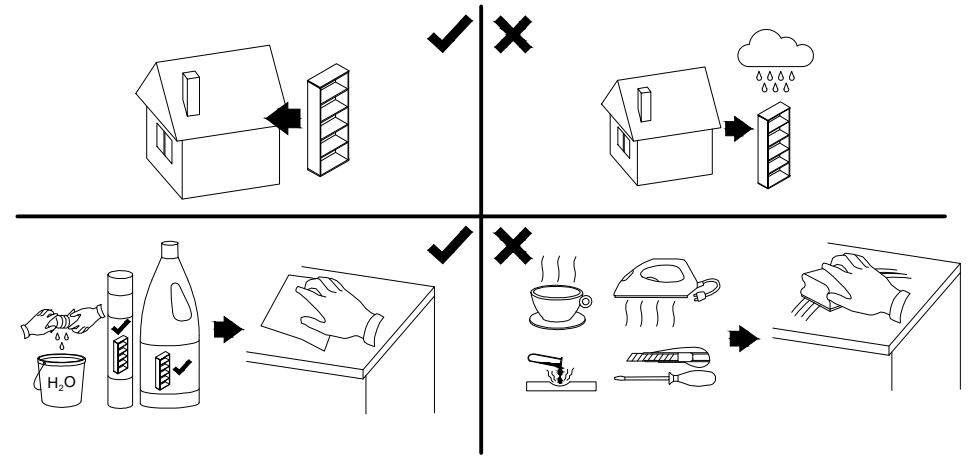
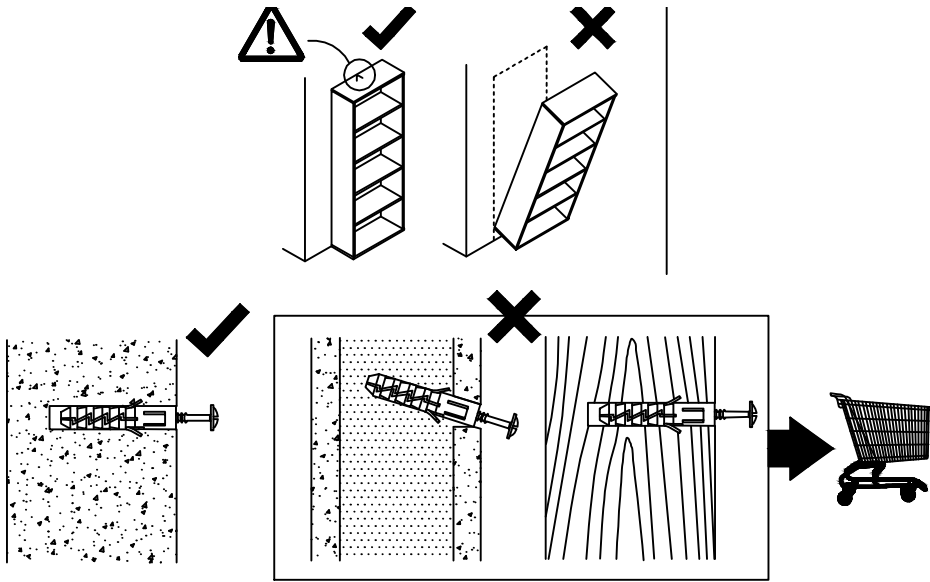
23

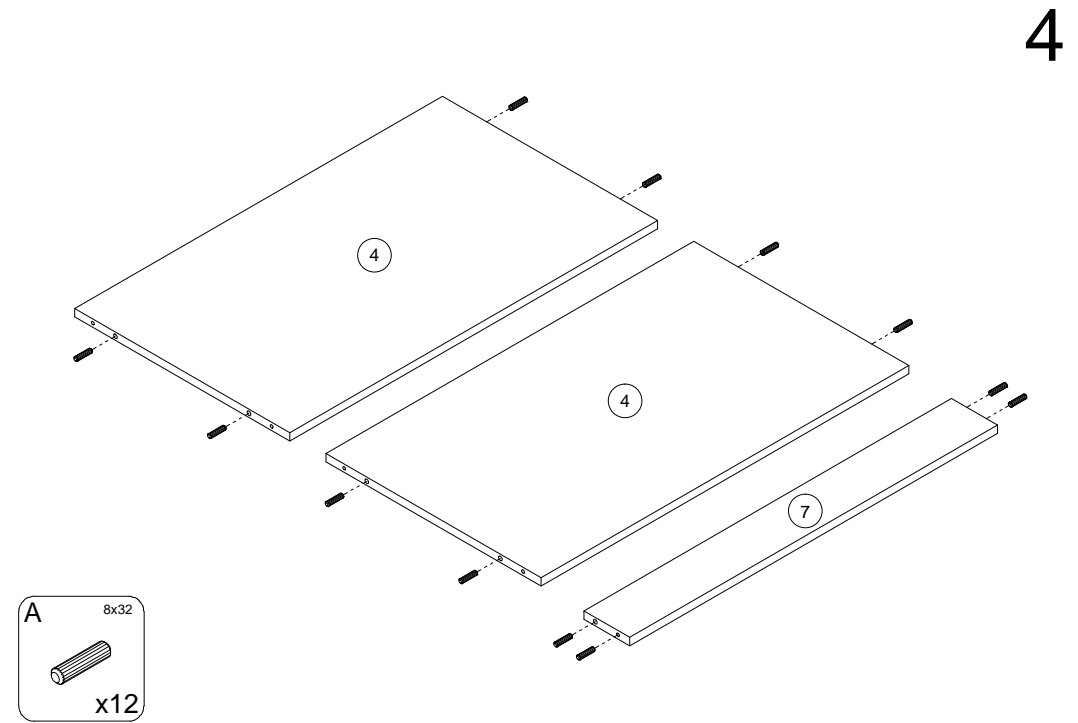
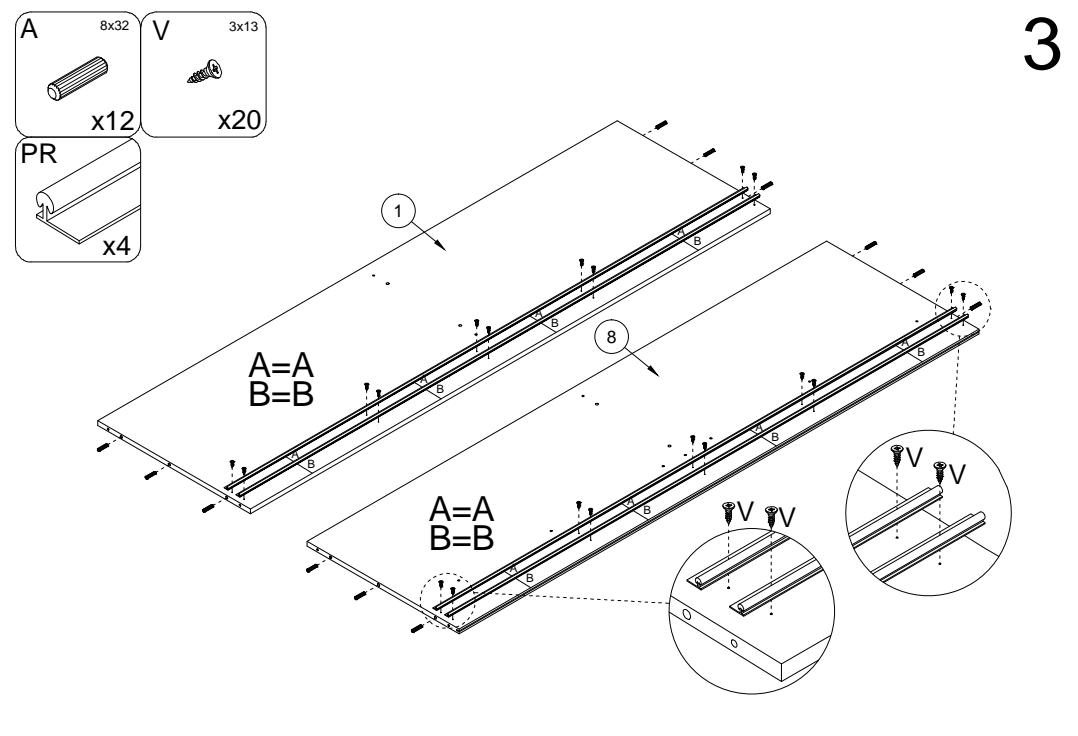
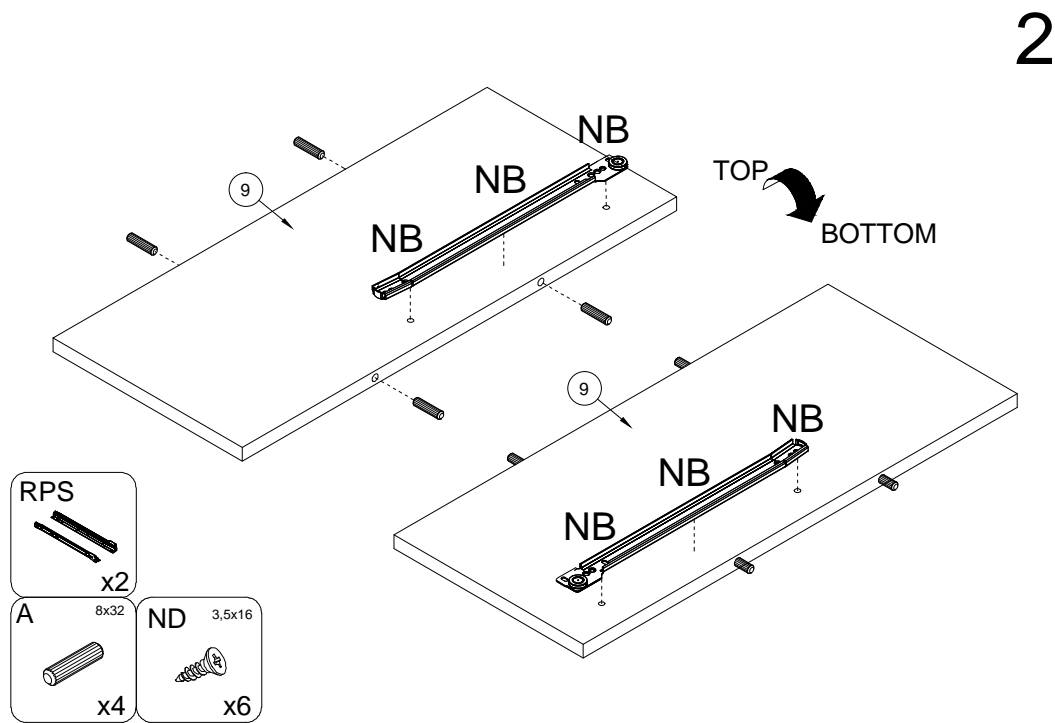
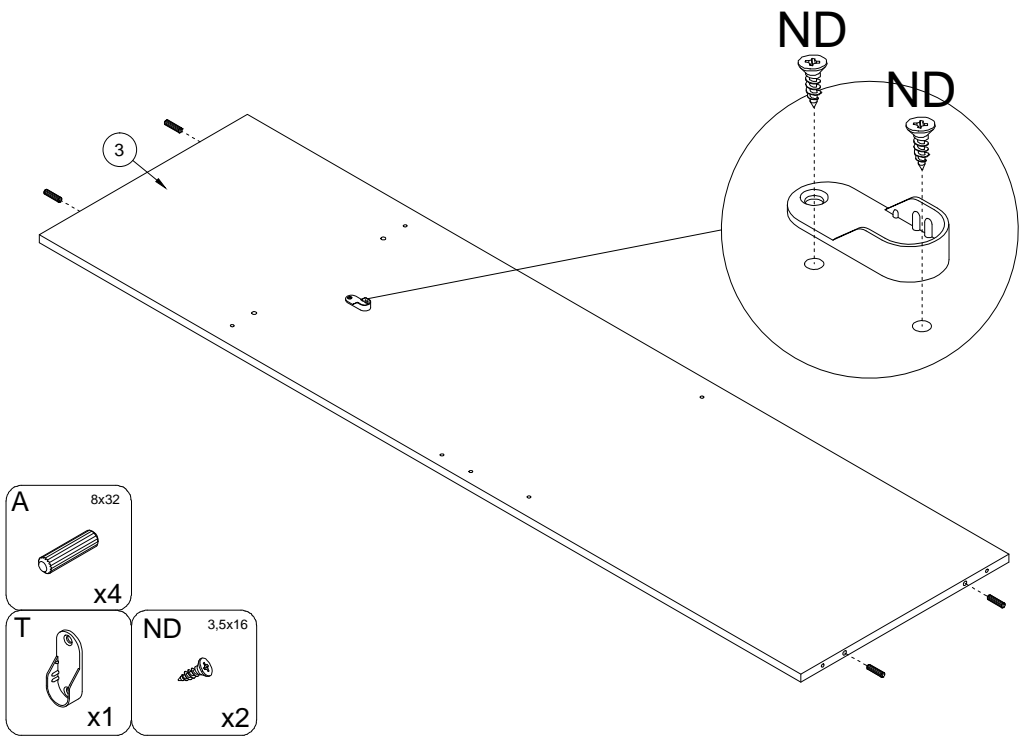


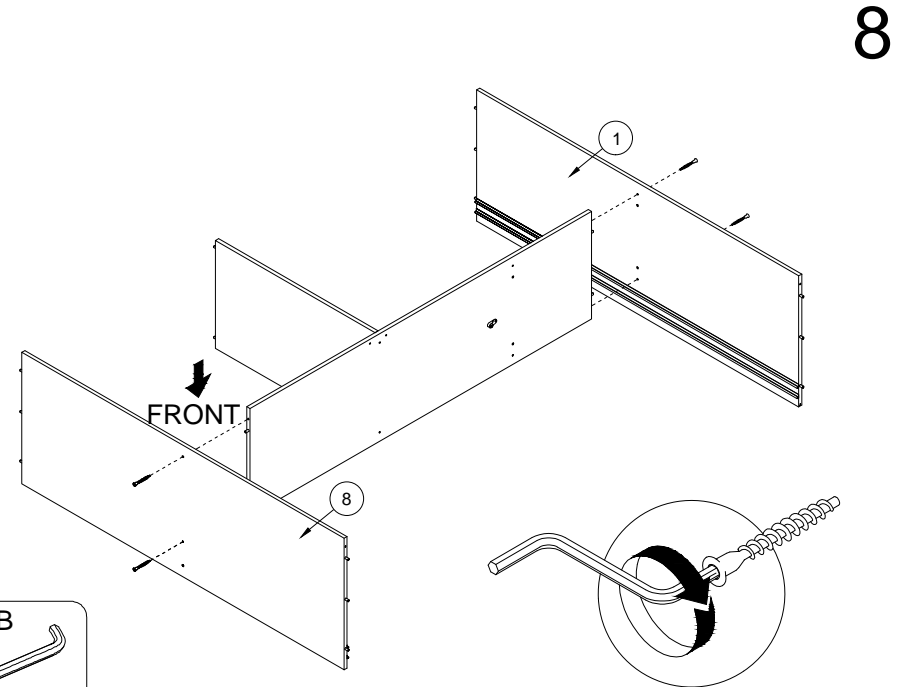
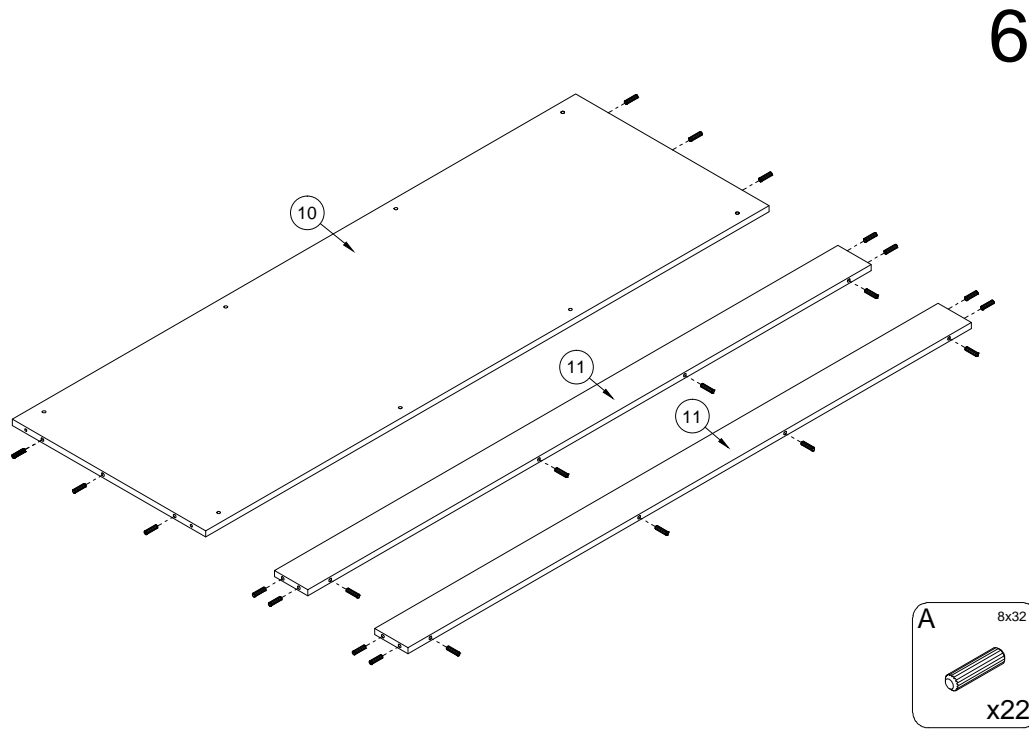
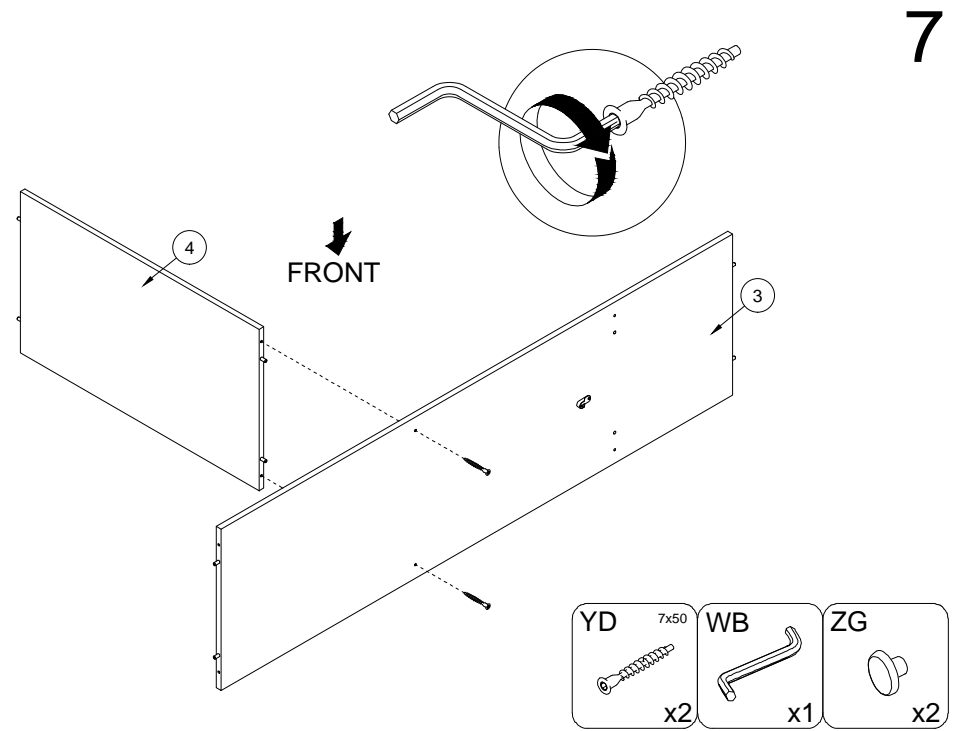
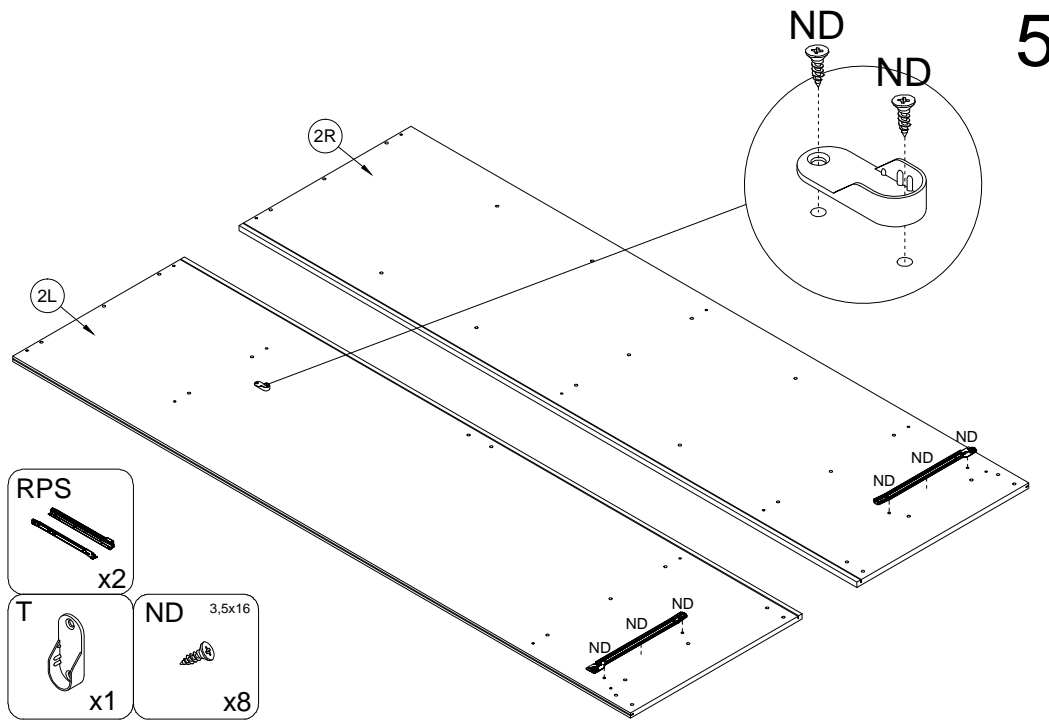
180

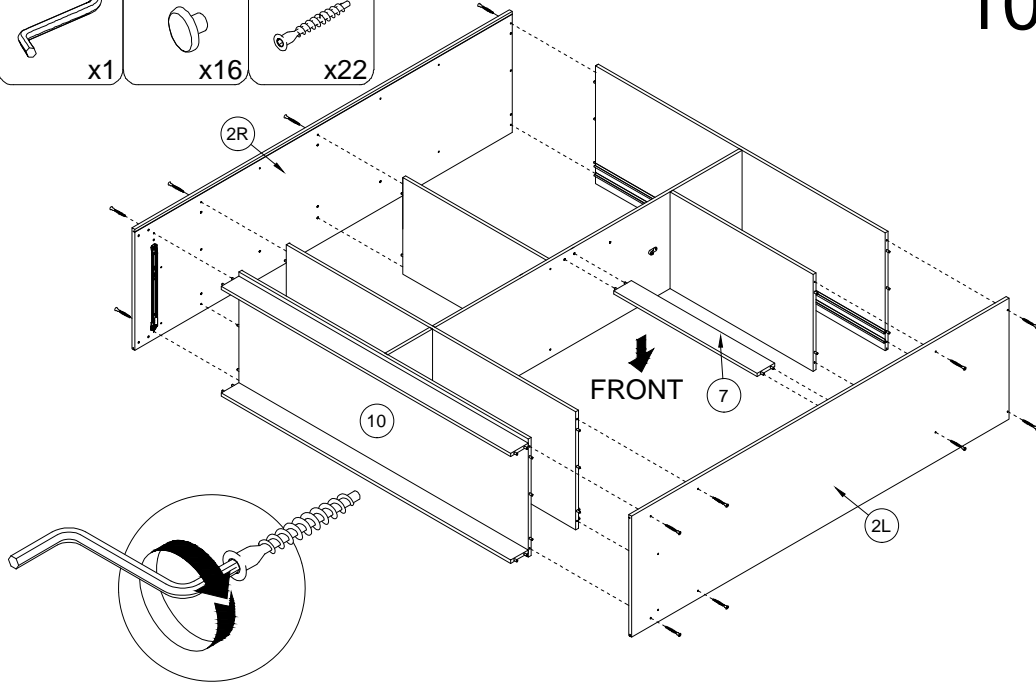
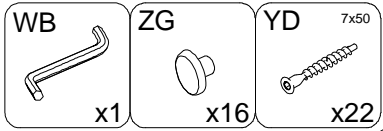
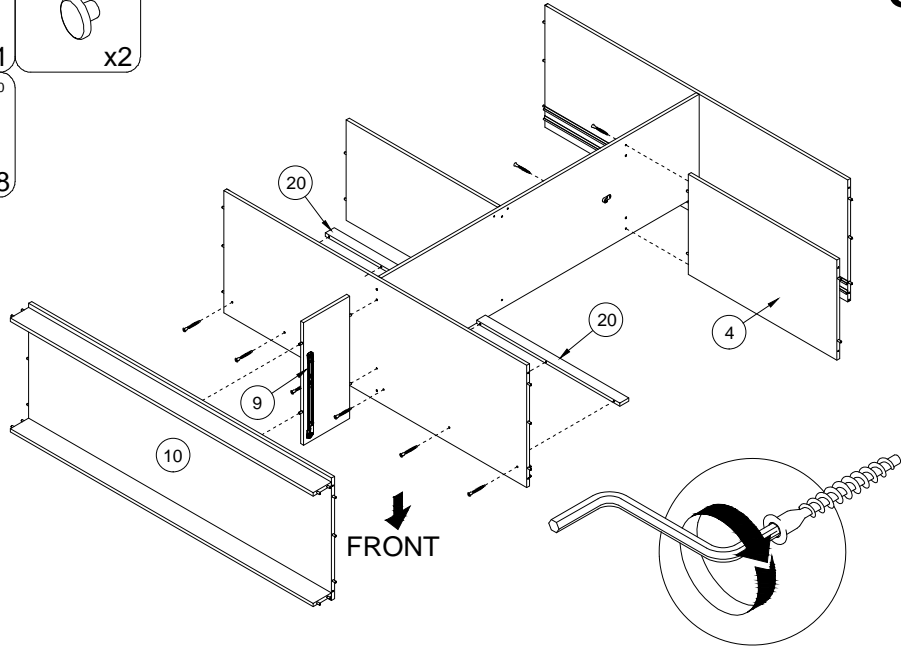
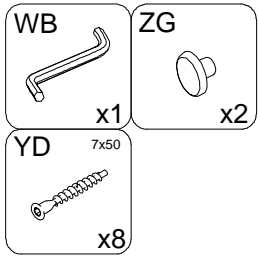


S	L-2008mm	N	3x20	W6	L-868mm	SP		B		ZC	LM	ZB		
x2		x79		x1		x10		x8		x15	x17	x12		
A	8x32	RPS	450	X		GLUE		SEV		C	Z	SZP		
x70		x2		x10		x2		x3		x8	x4	x2		
T		ND	3,5x16	V	3x13	PR		YD	7x50	DB	L-1715mm	H	6,3x13	DA
x2		x49		x20		x4		x30		x2		x16		x4
								WB		ZG		D		
								x1		x20		x4		

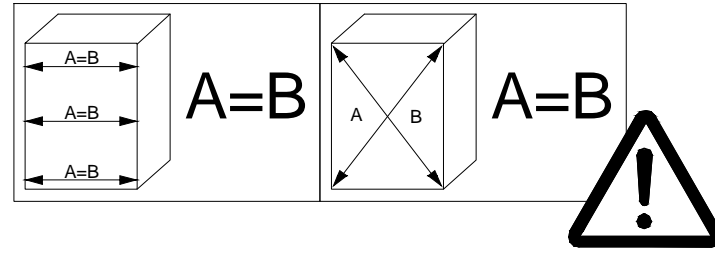




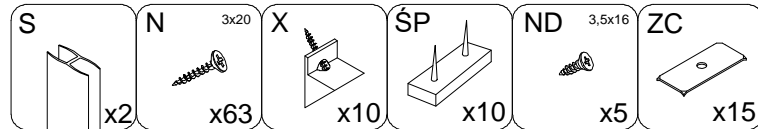
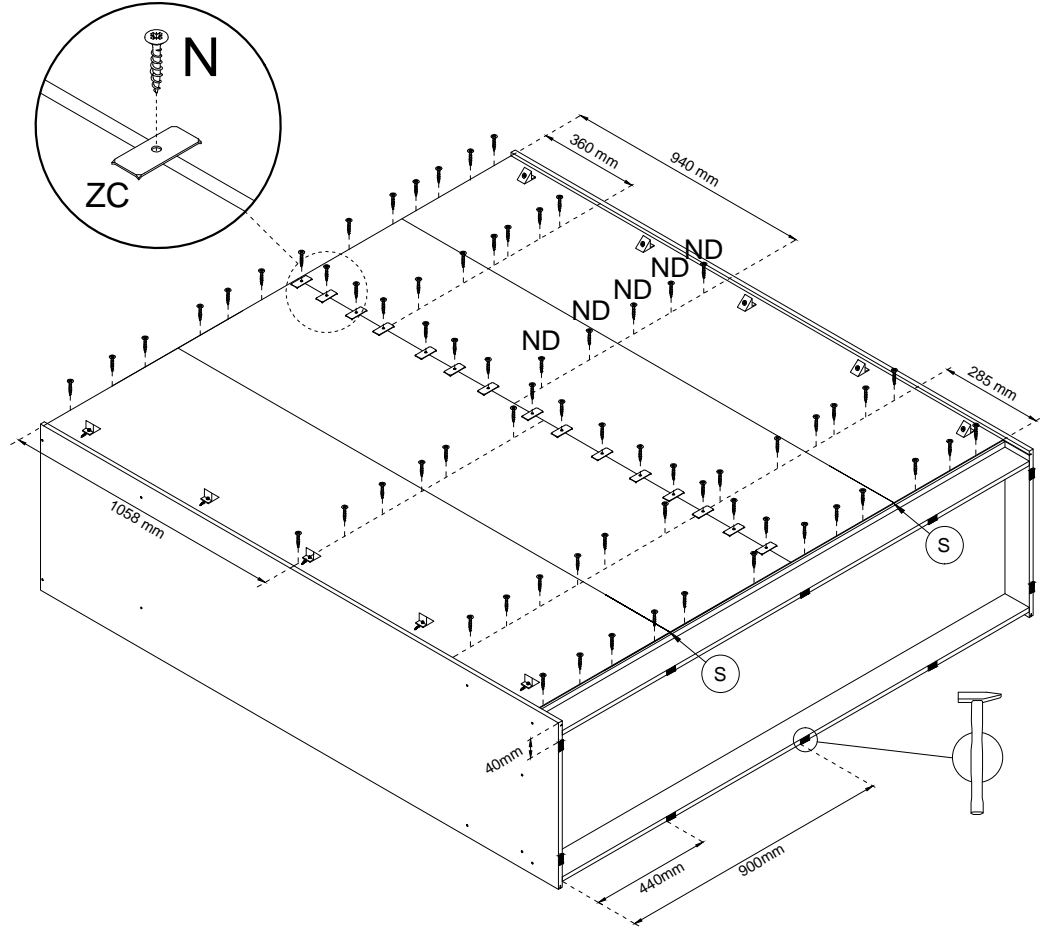




9

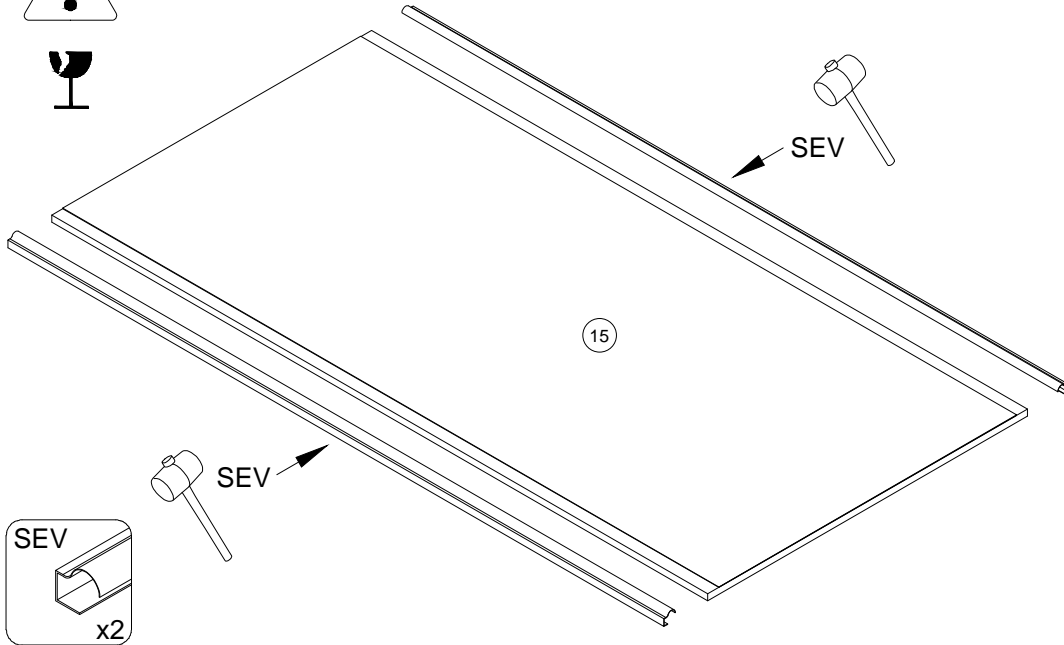


11

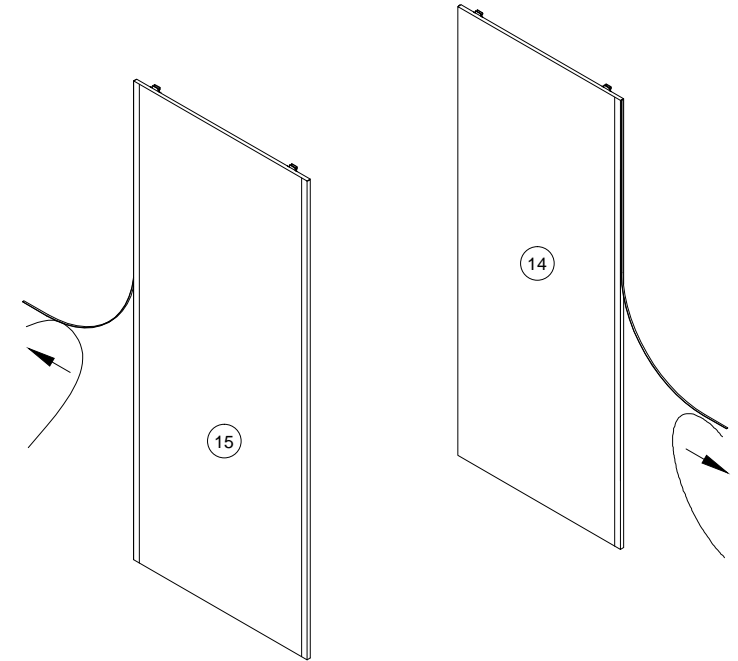




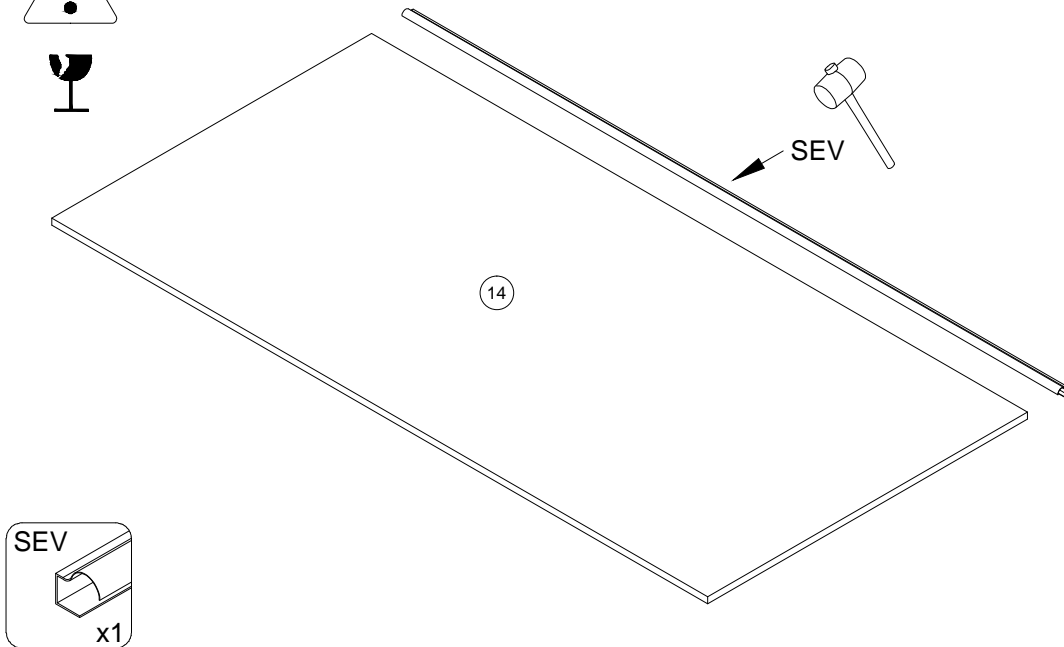
12



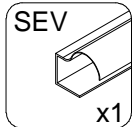
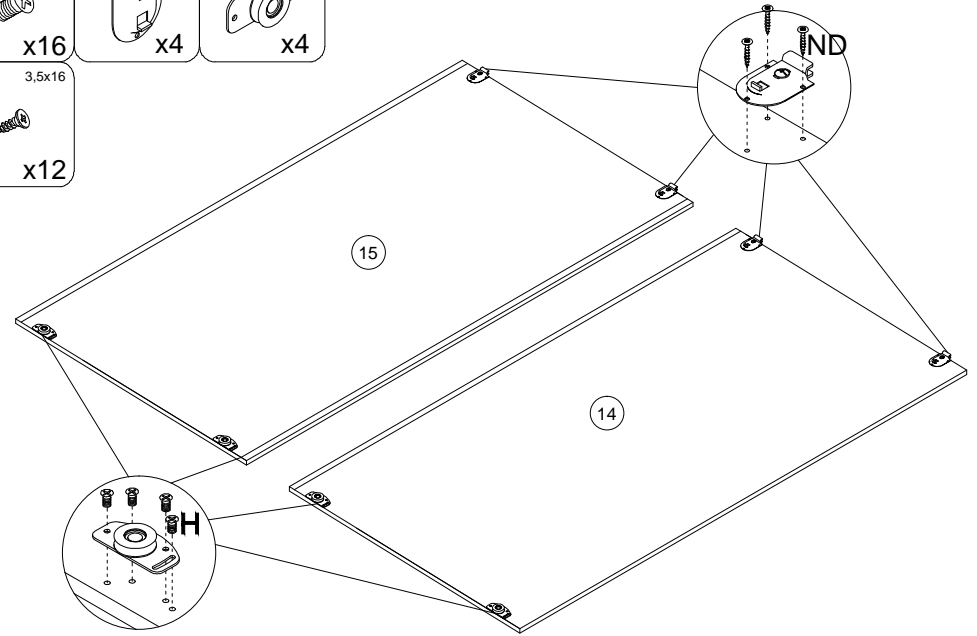
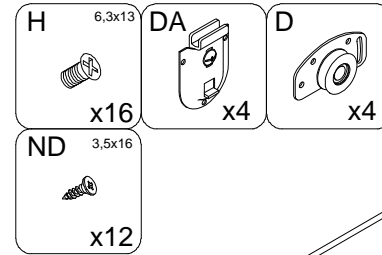
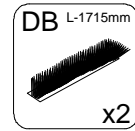
14



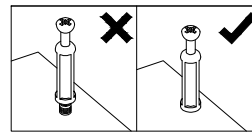
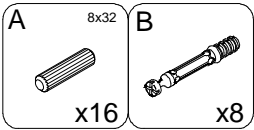
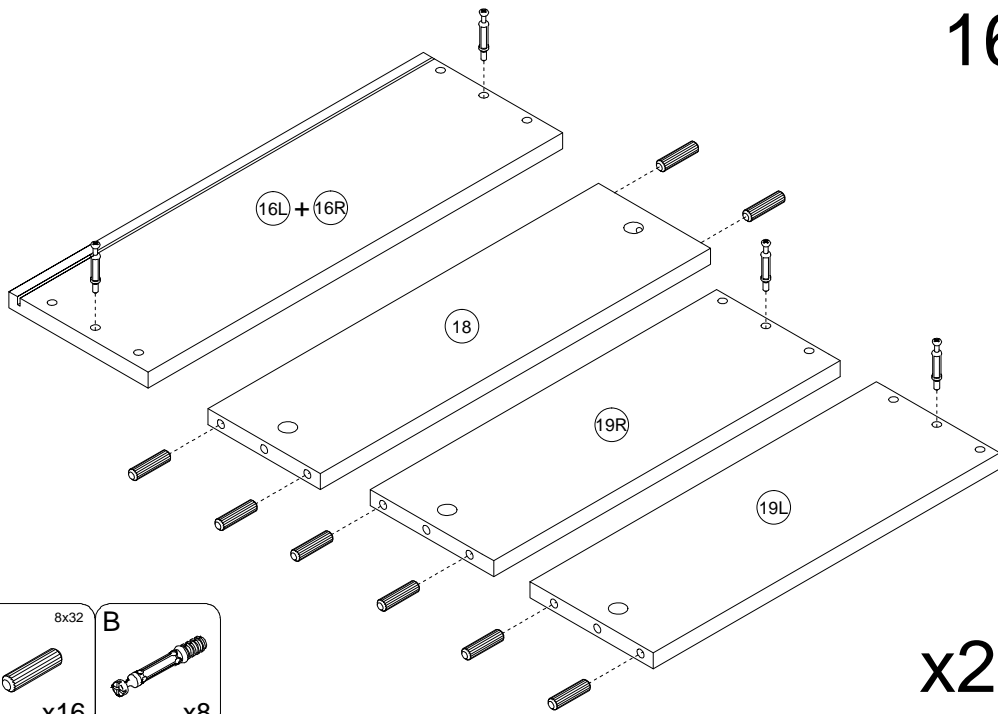
13



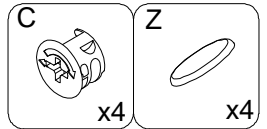
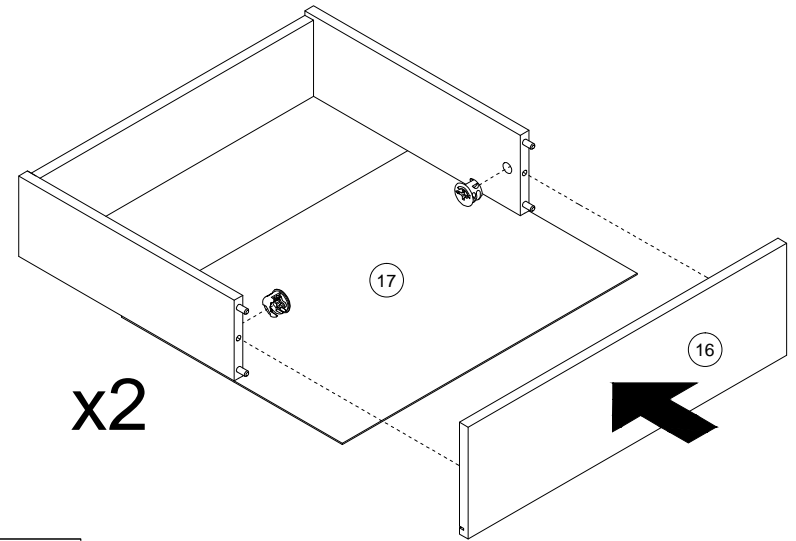
15



16

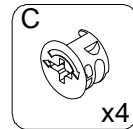
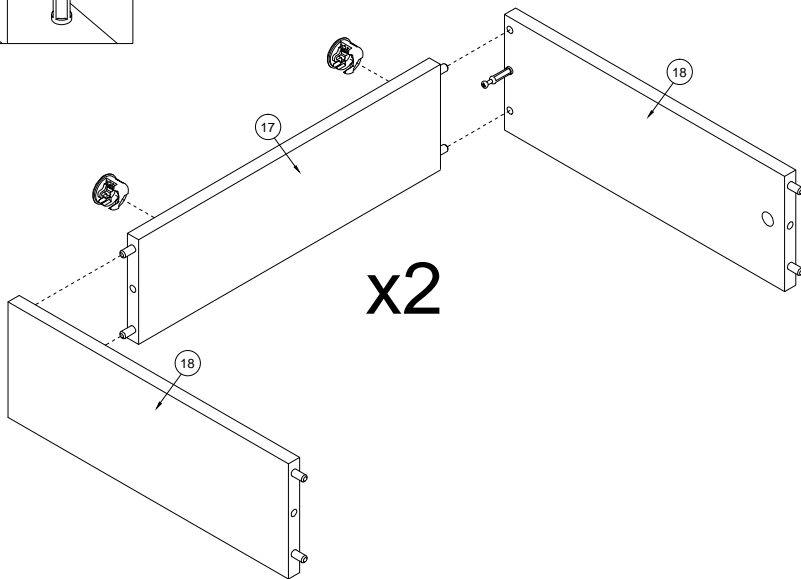
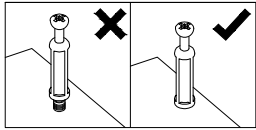


18



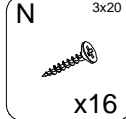
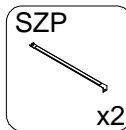
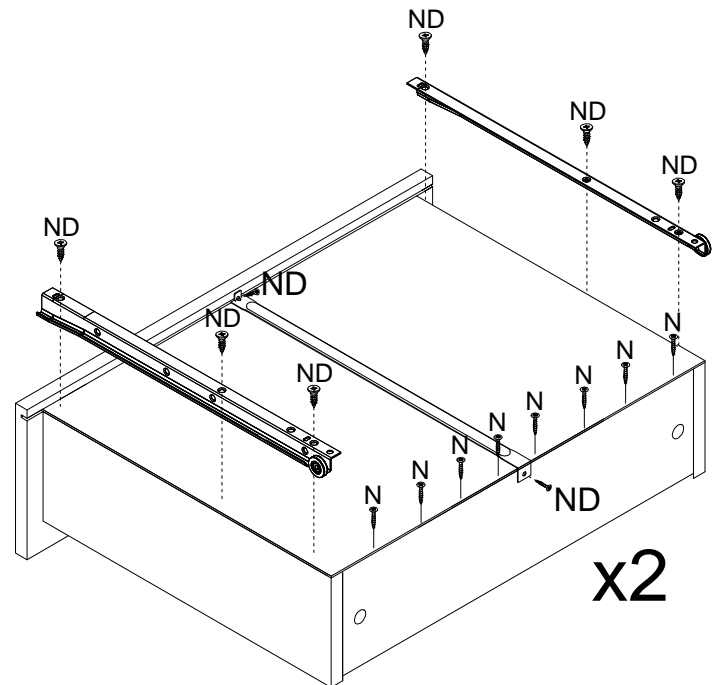
x2

17

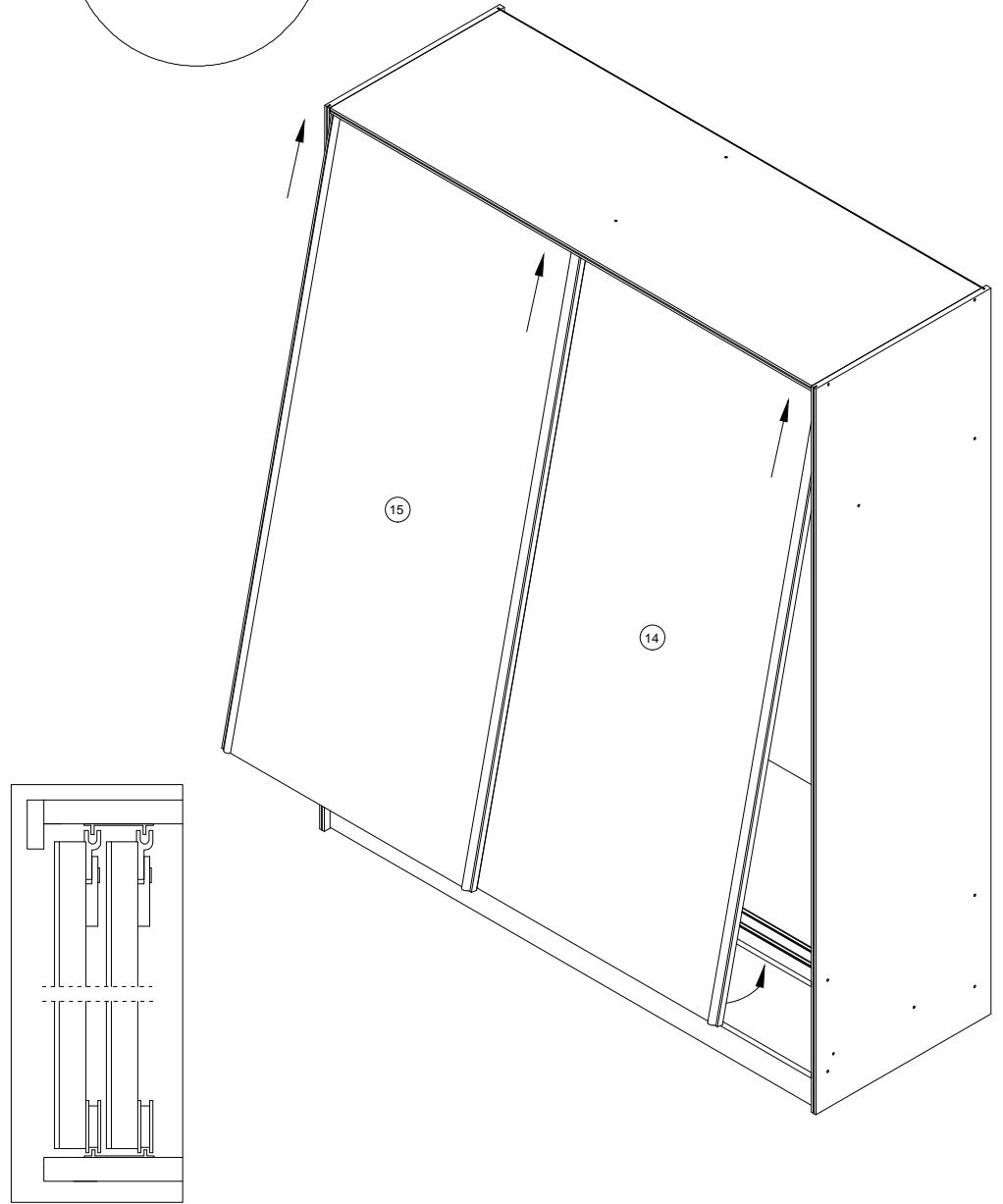
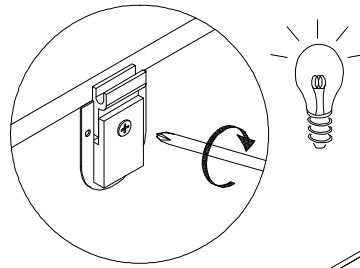
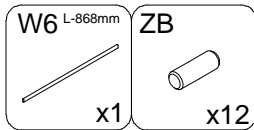
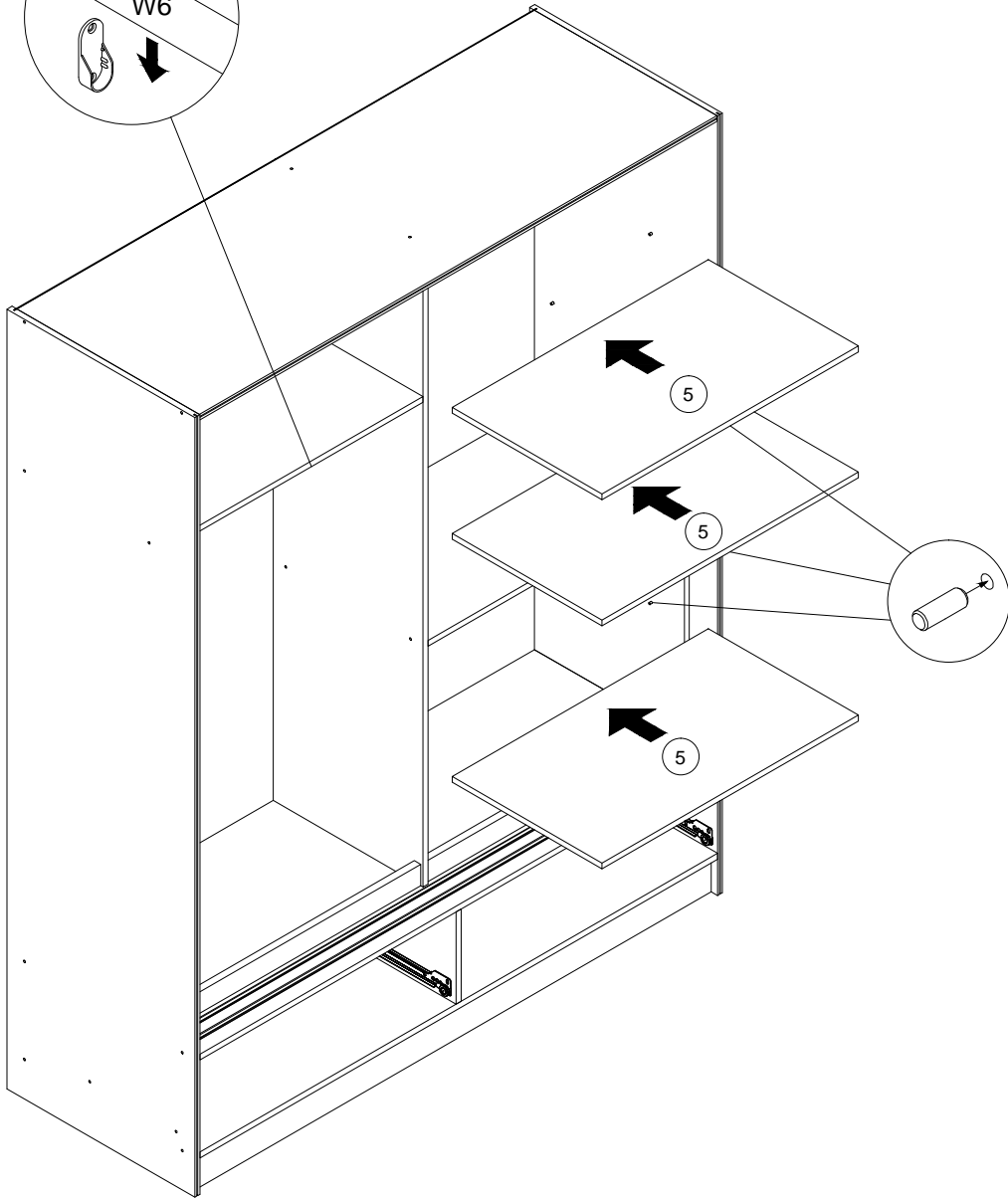
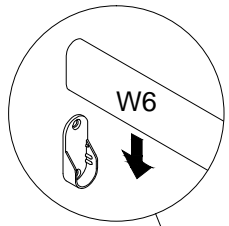


x2

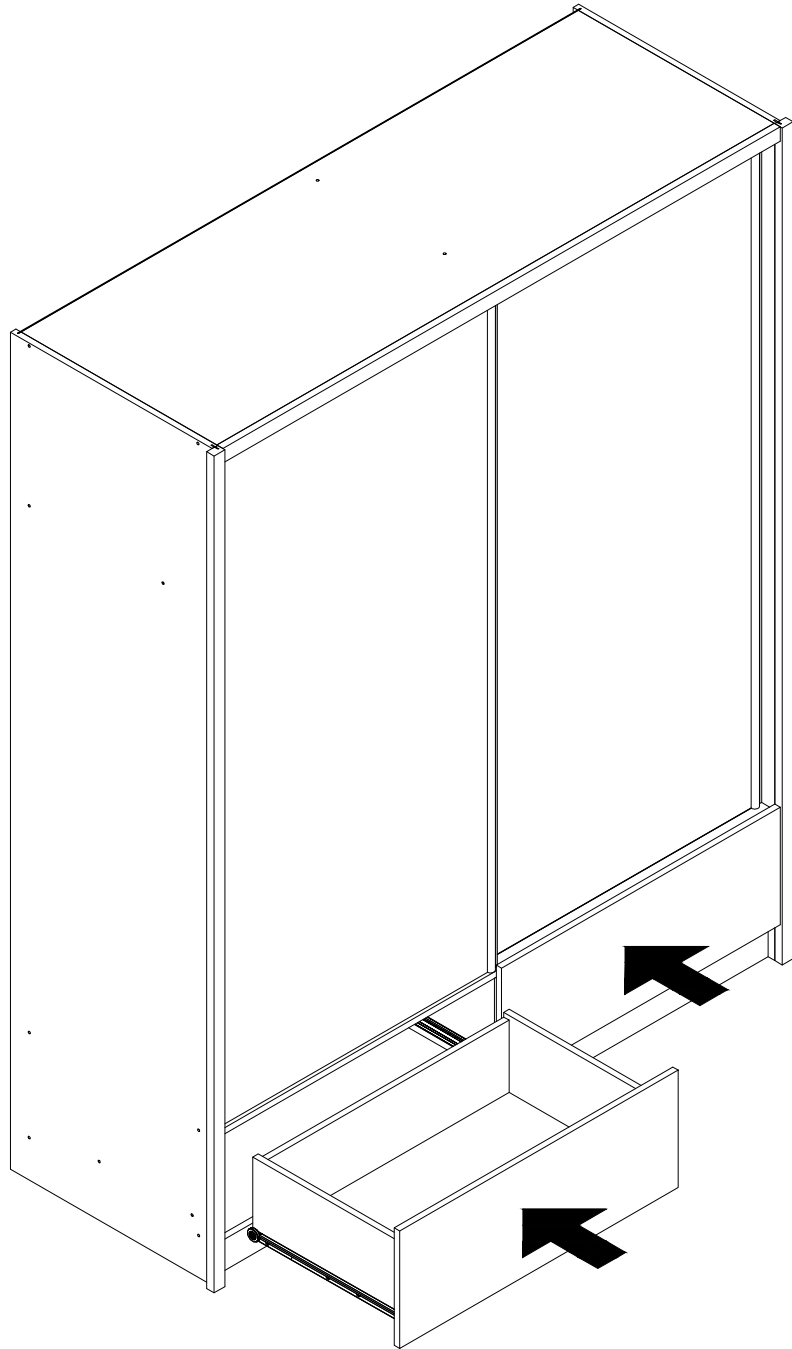
19



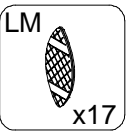
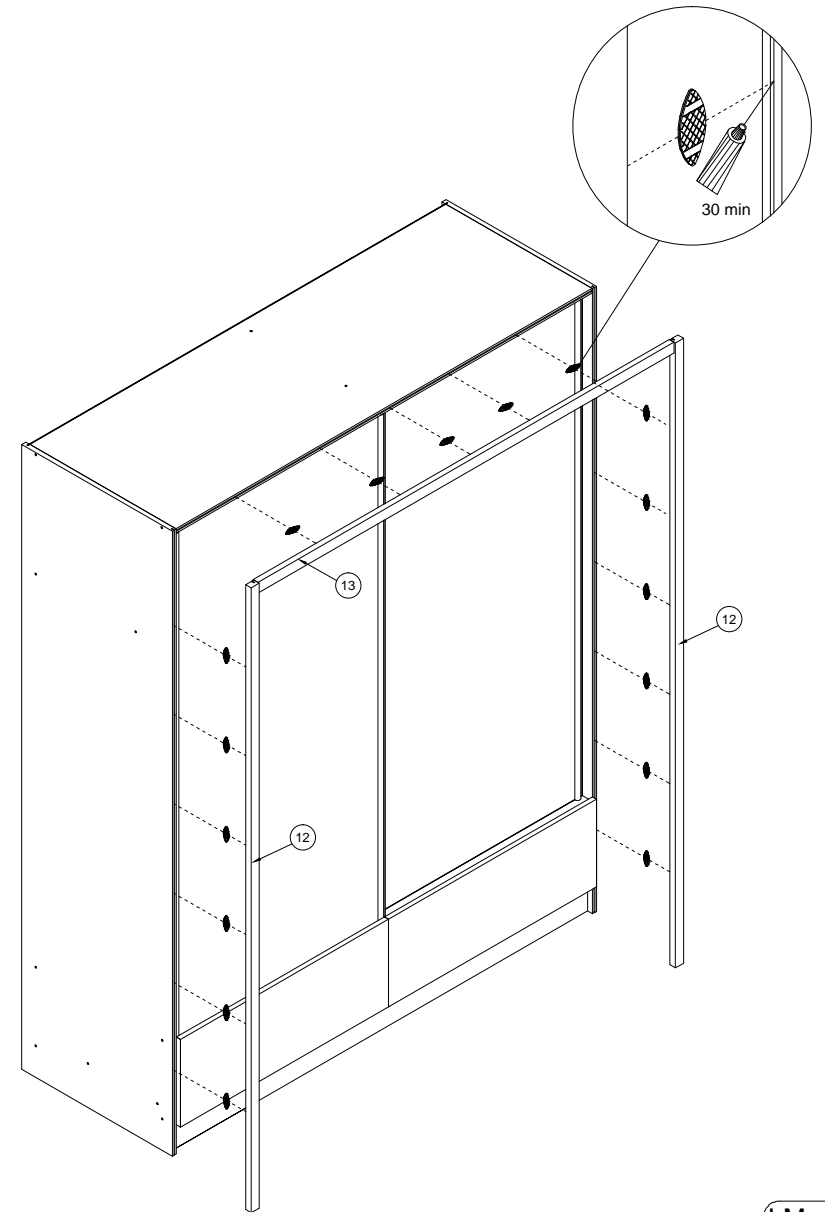
x2



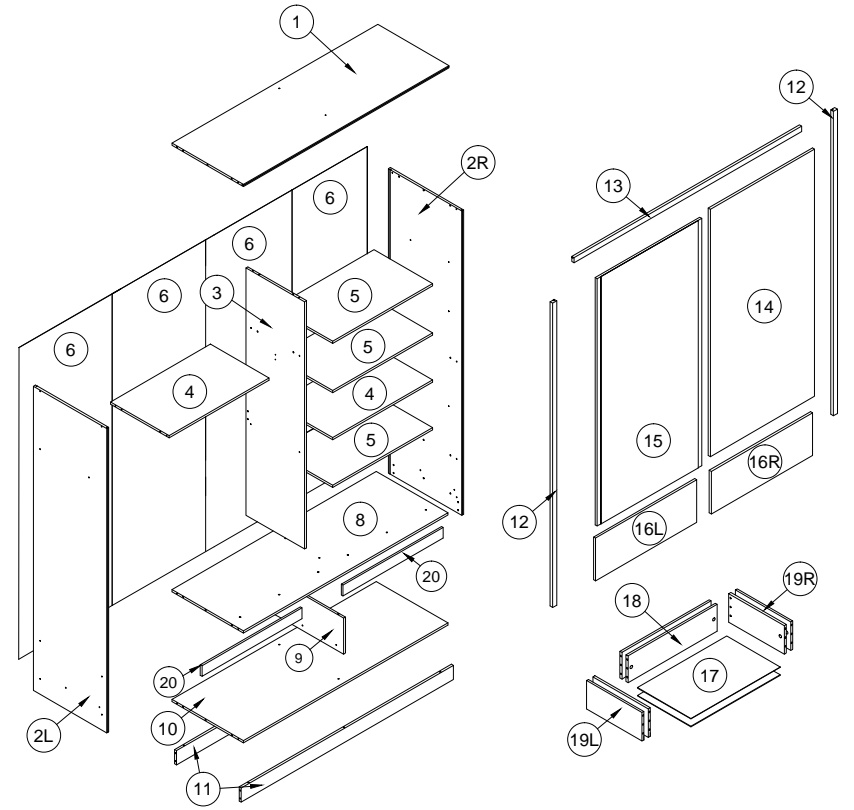
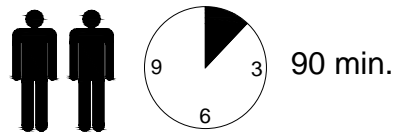
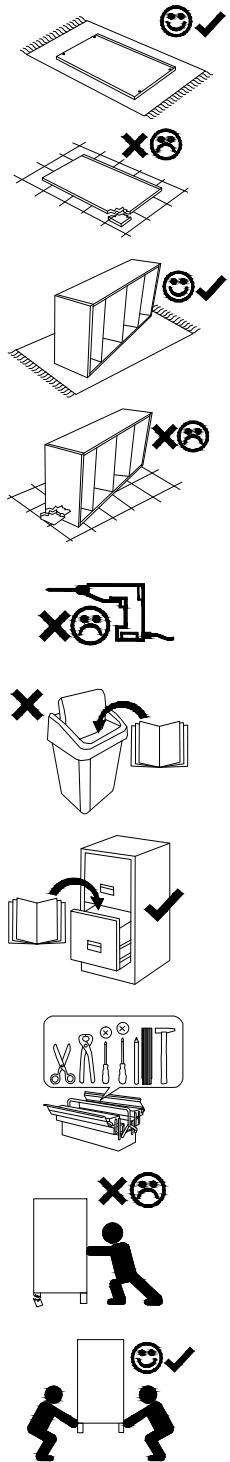
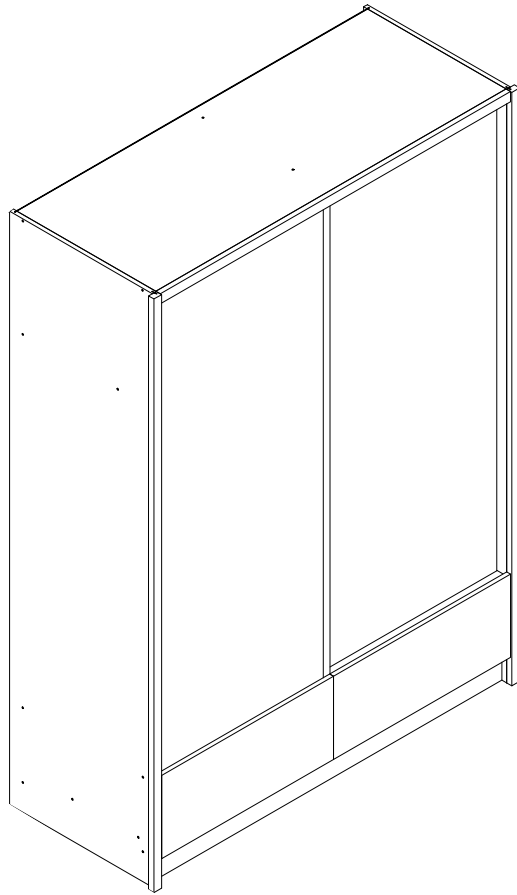
22



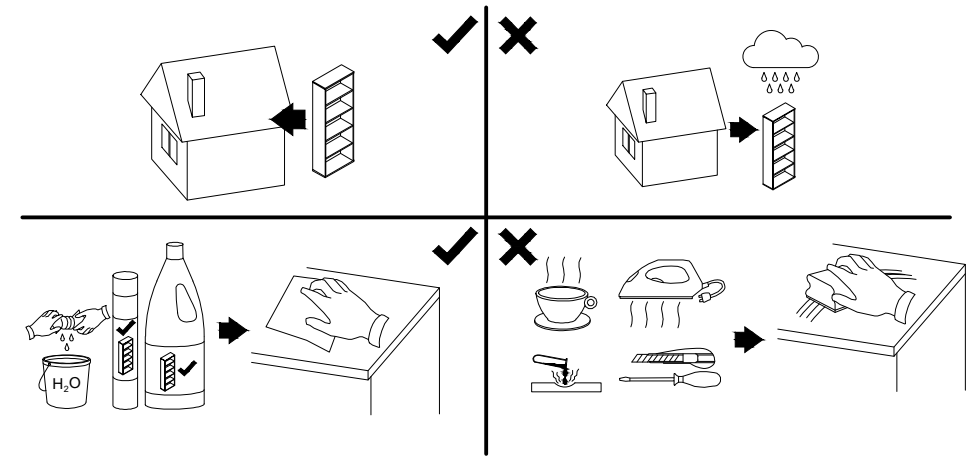
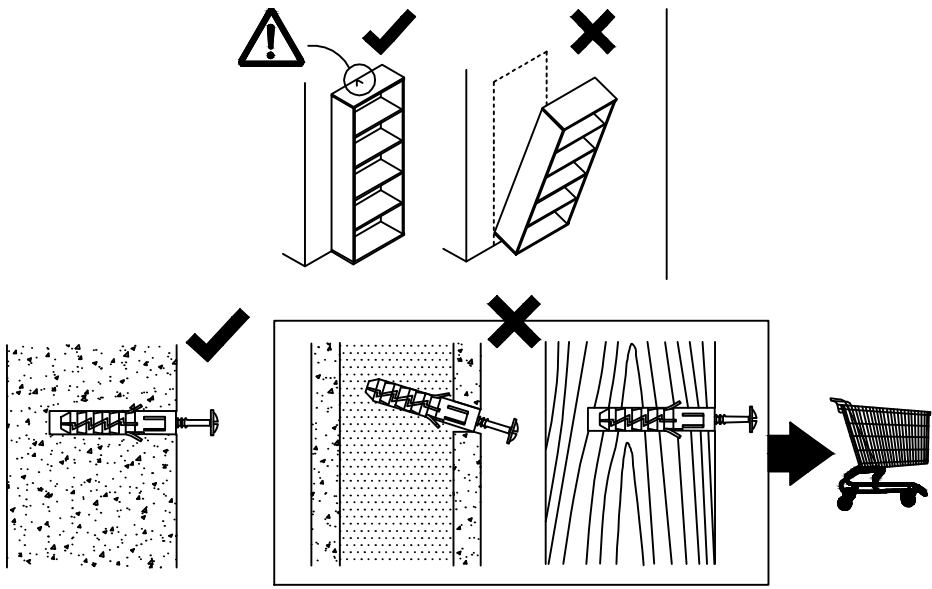
23

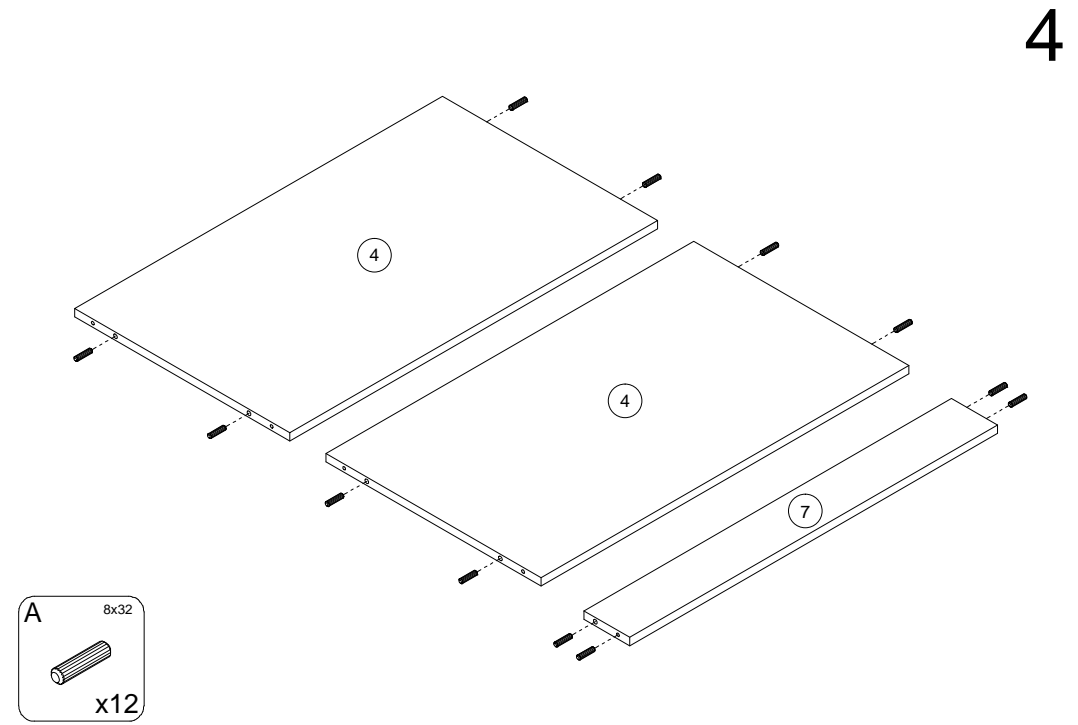
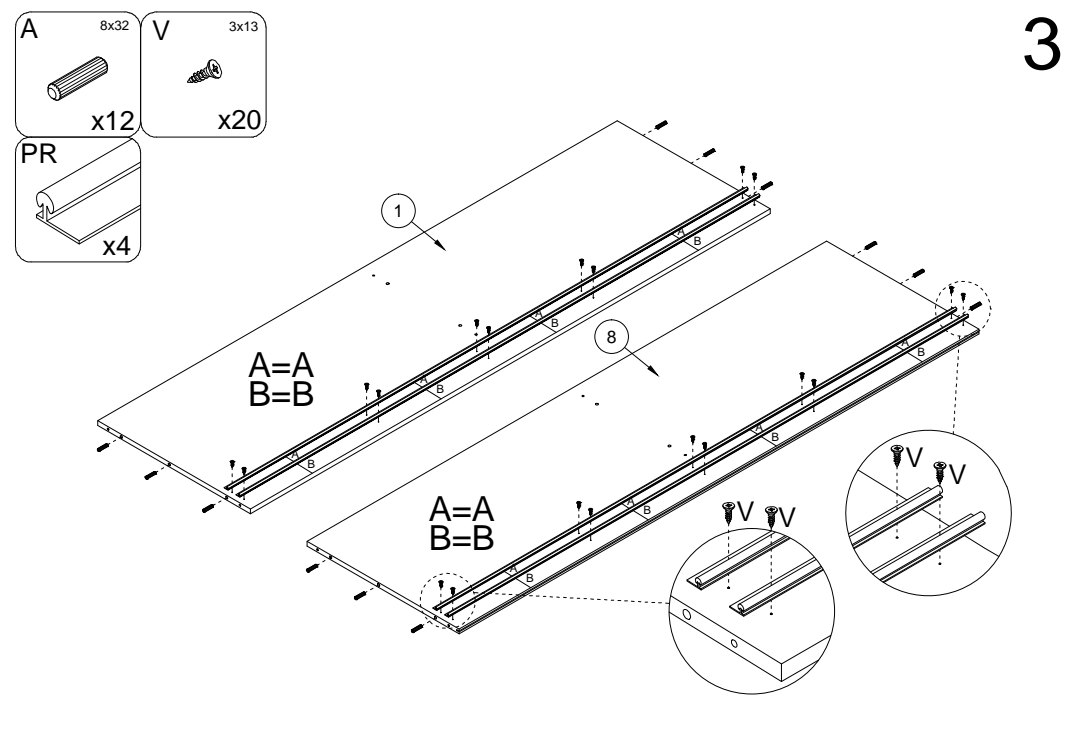
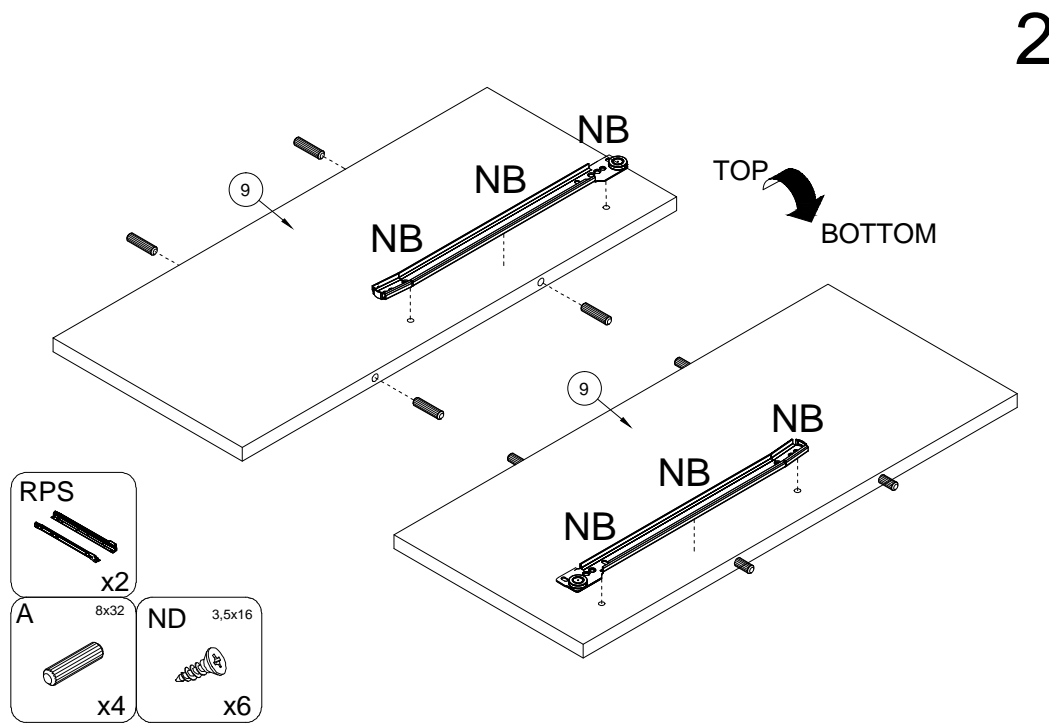
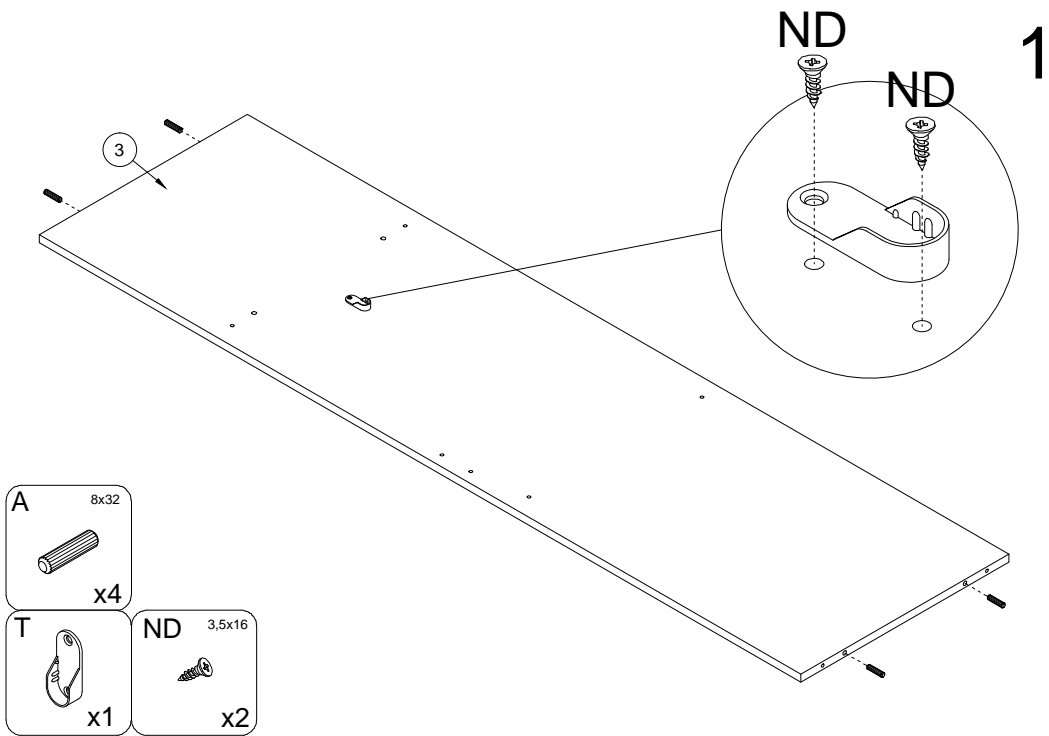


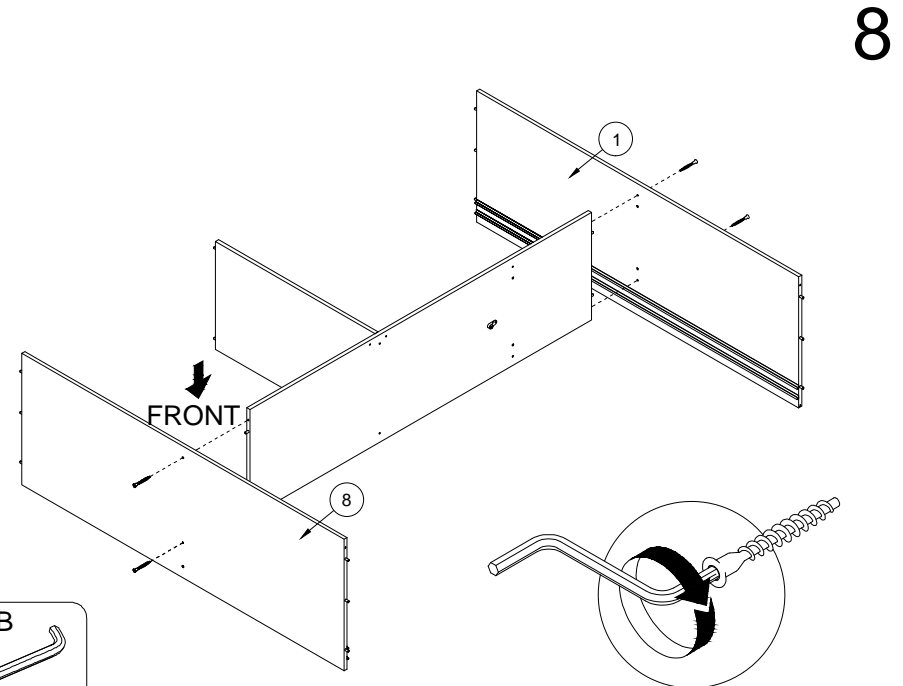
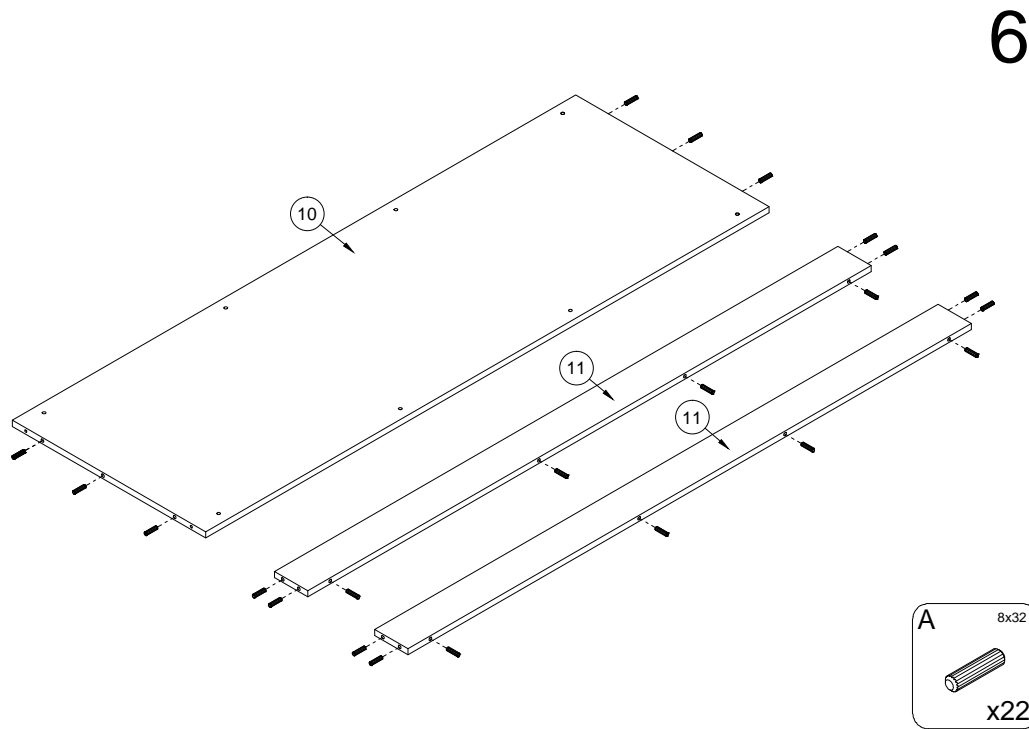
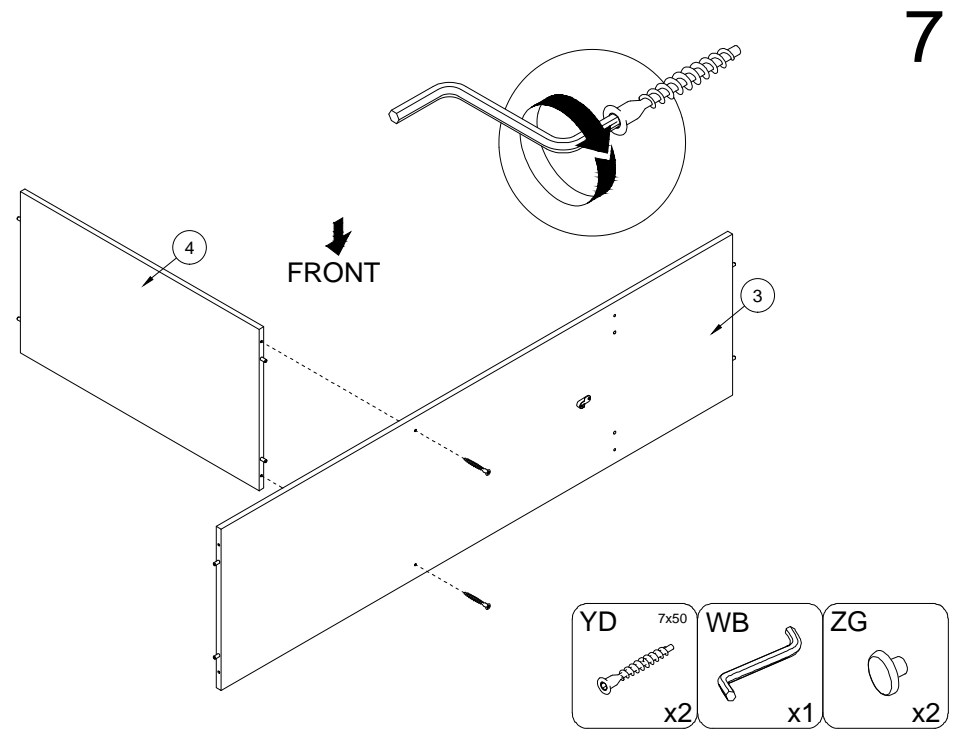
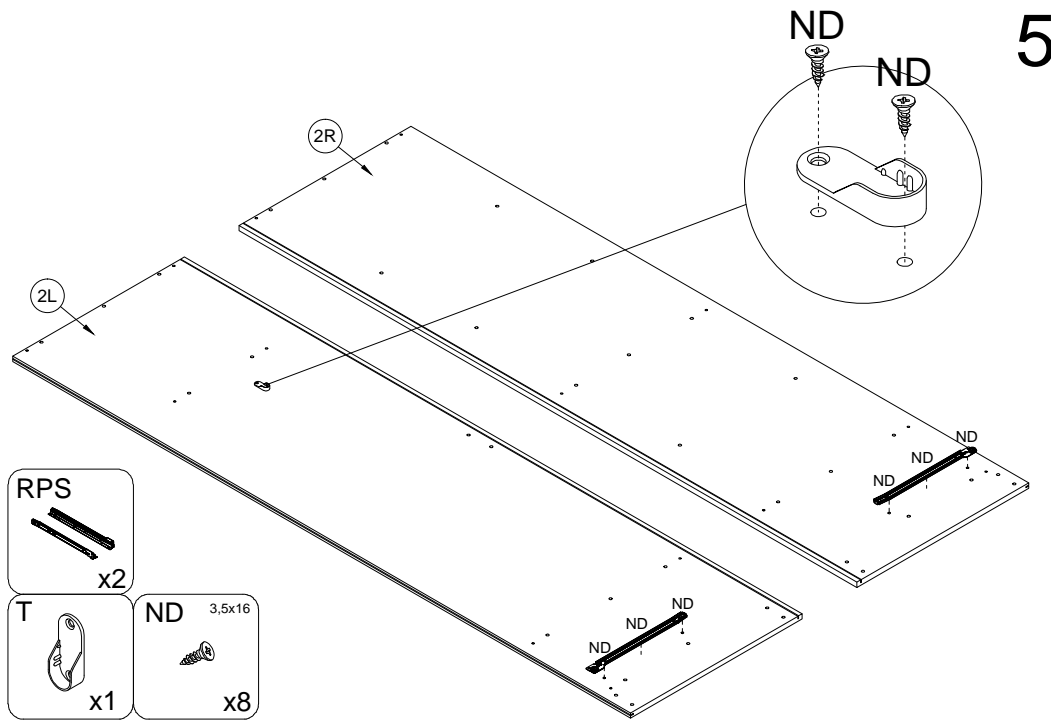
200

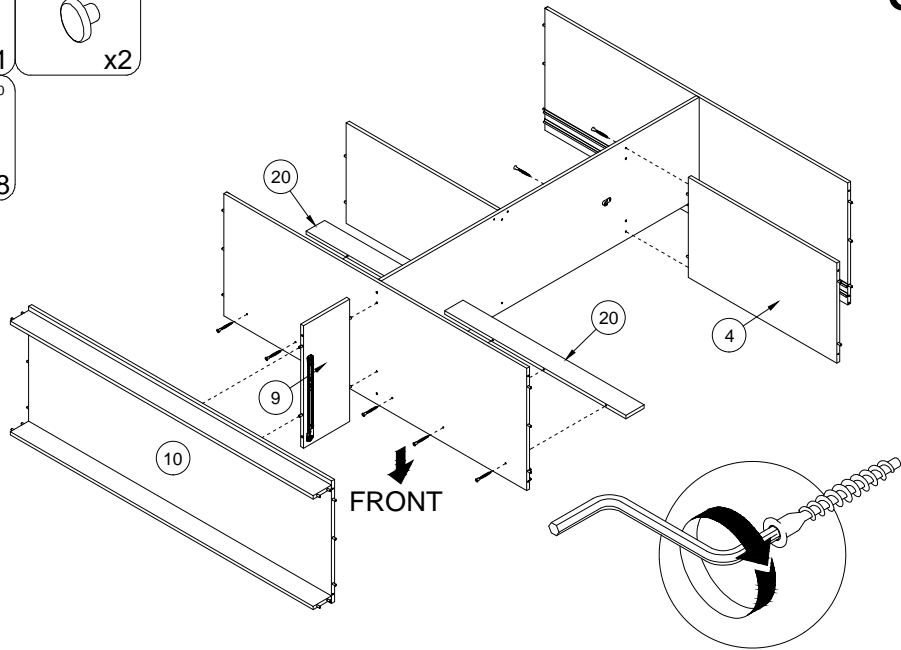
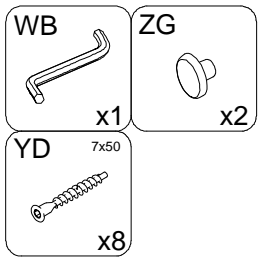


S L-2008mm x2	N 3x20 x91	W6 L-868mm x1	SP x10	B x8	ZC x15	LM x17	ZB x12
A 8x32 x70	RPS 450 x2	X x10	GLUE x2	SEV 1716 x3	C x8	Z x4	SZP 450 x2
T x2	ND 3,5x16 x50	V 3x13 x20	PR x4	YD 7x50 x30	DB L-1715mm x2	H 6,3x13 x16	DA x4
					WB x1	ZG x20	D x4

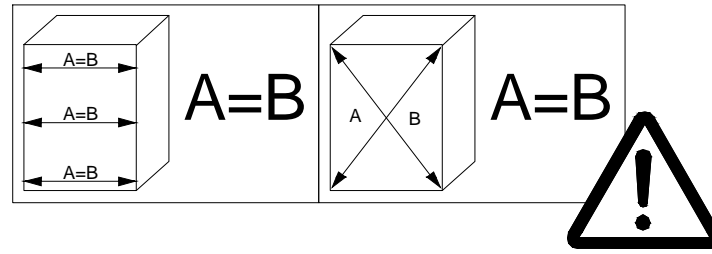




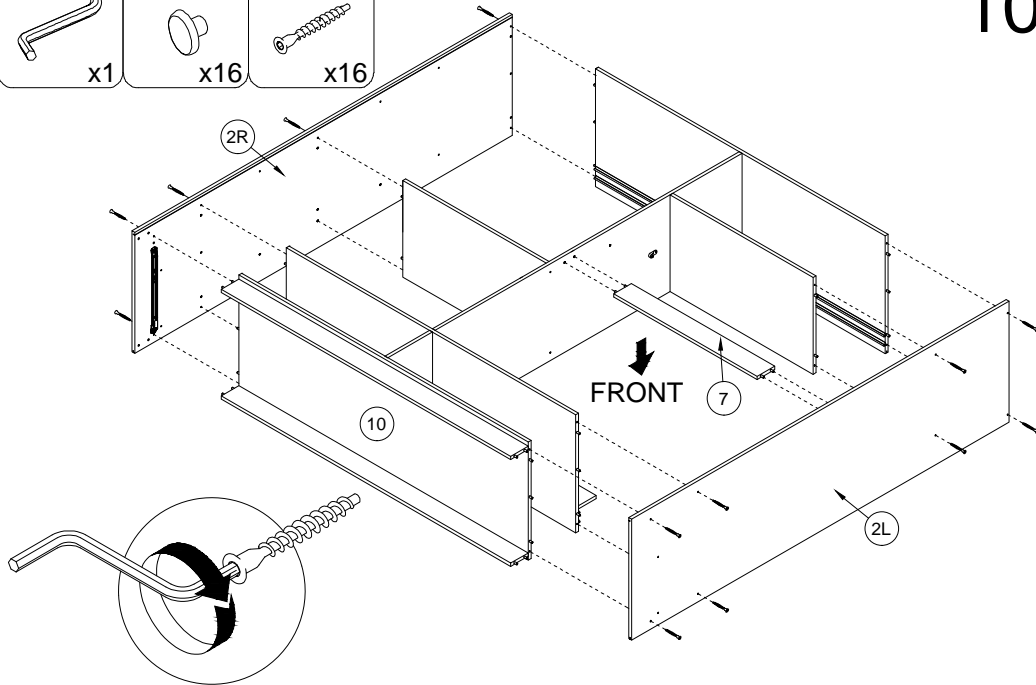
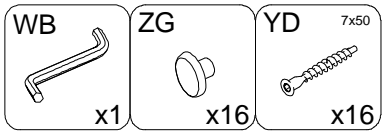




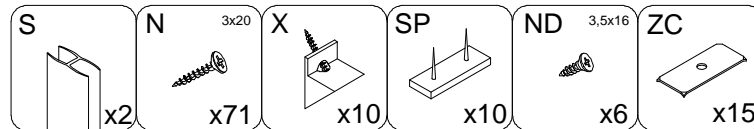
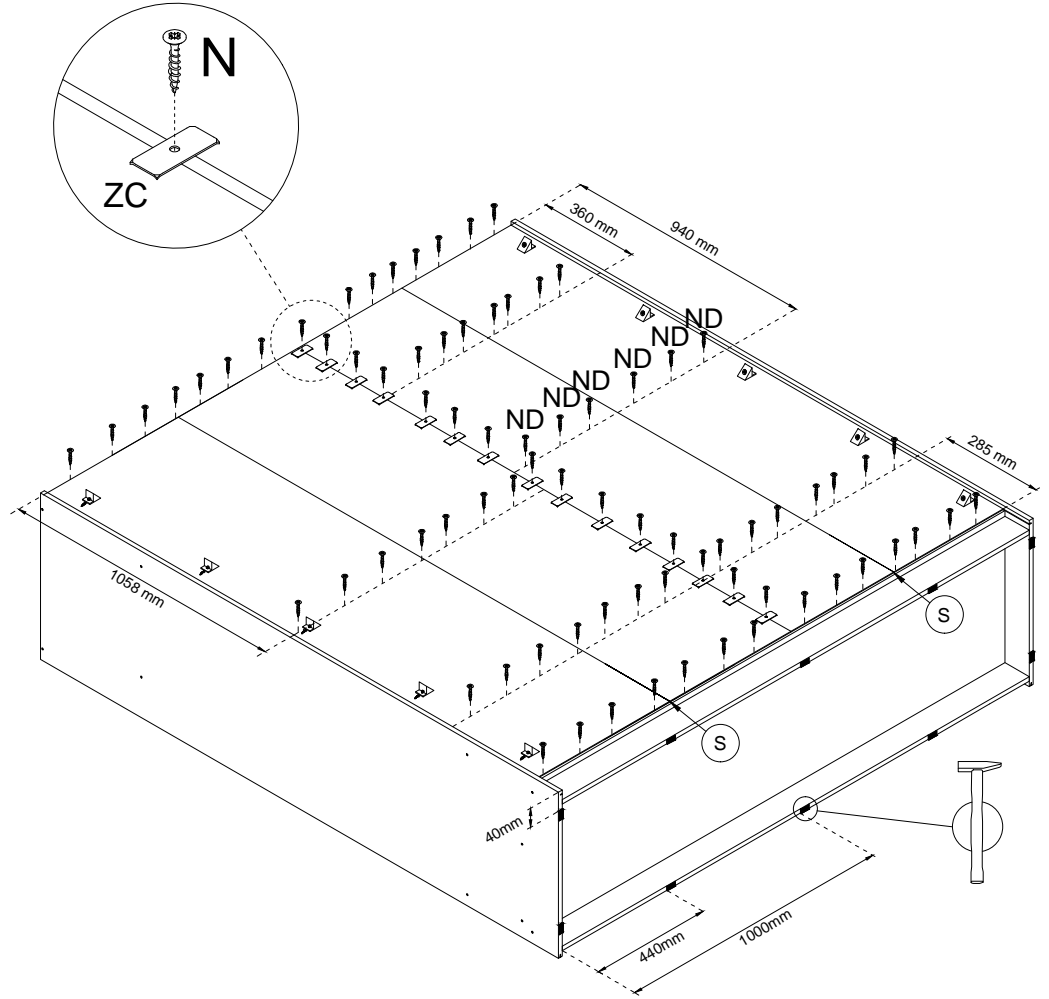
9

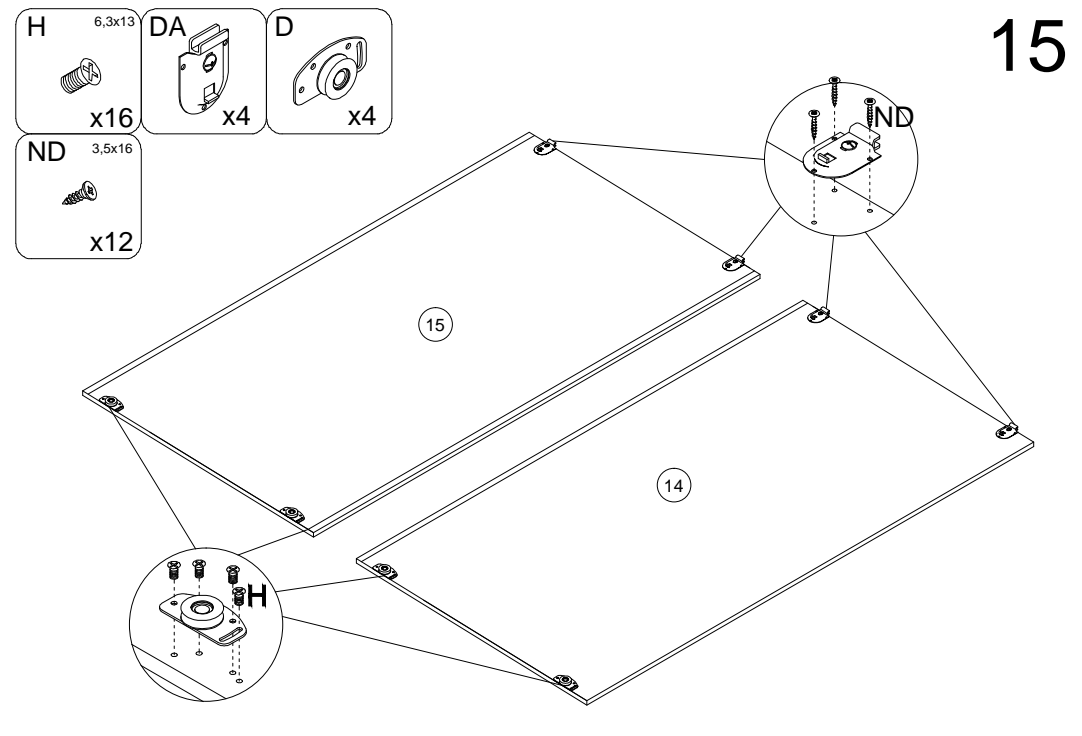
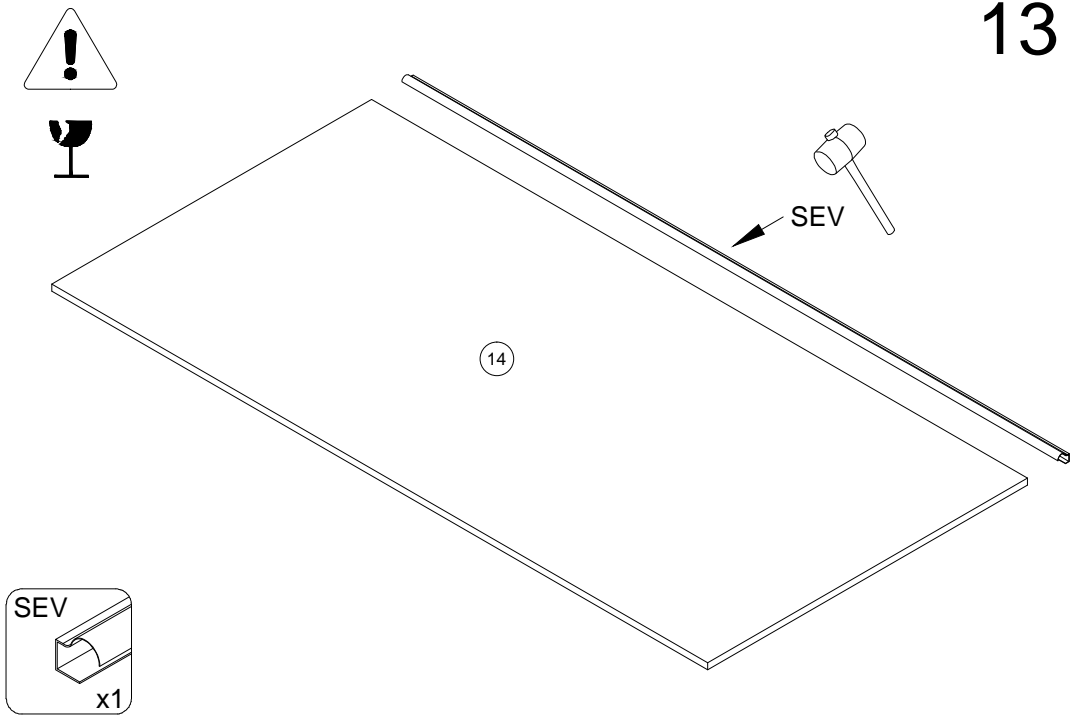
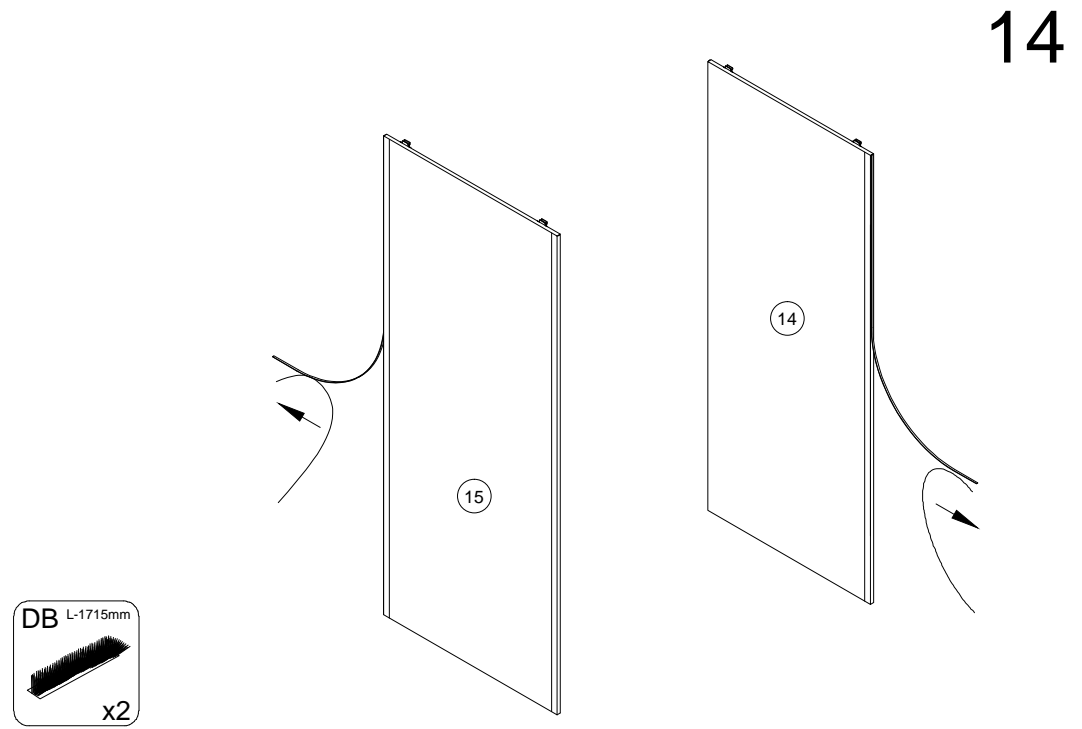
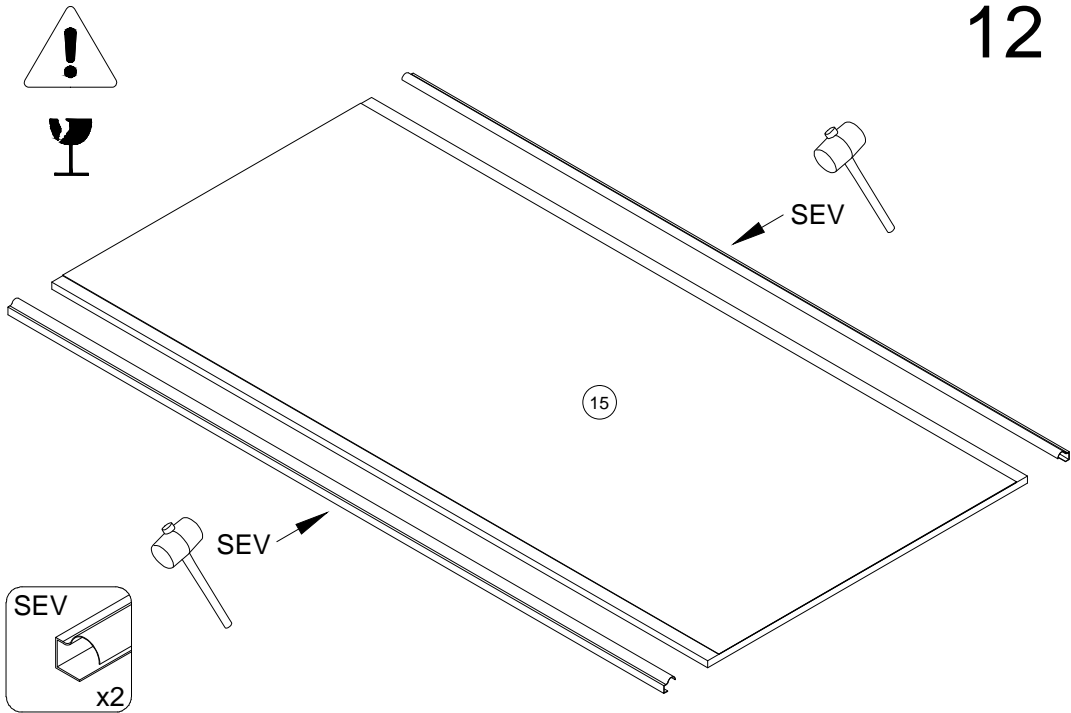


11

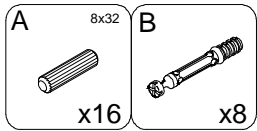
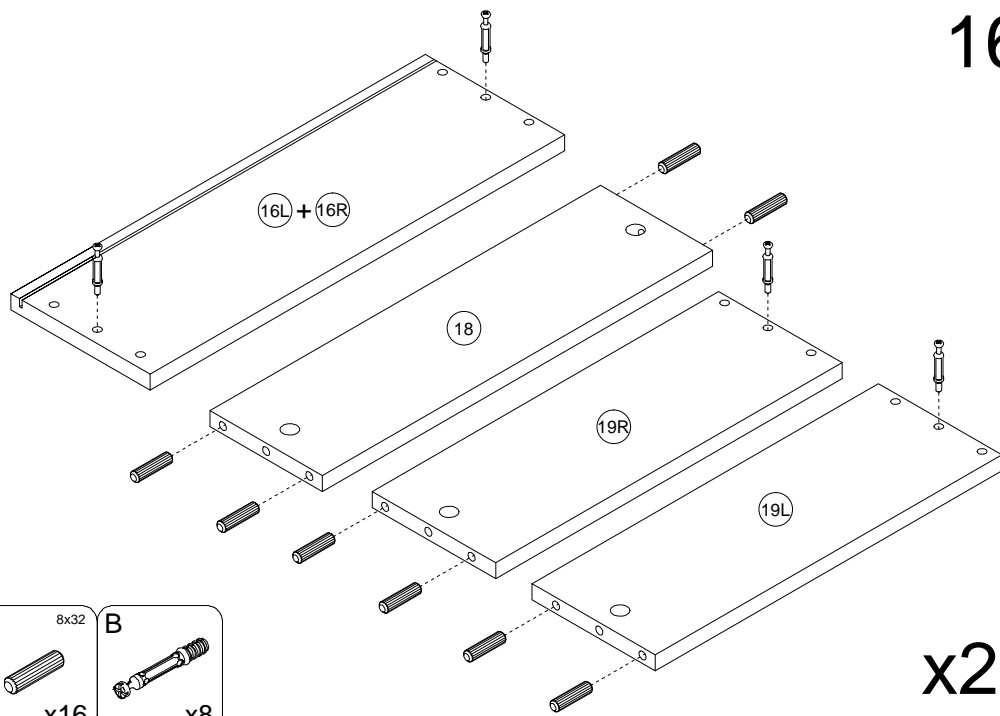


10



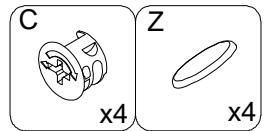
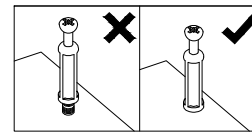
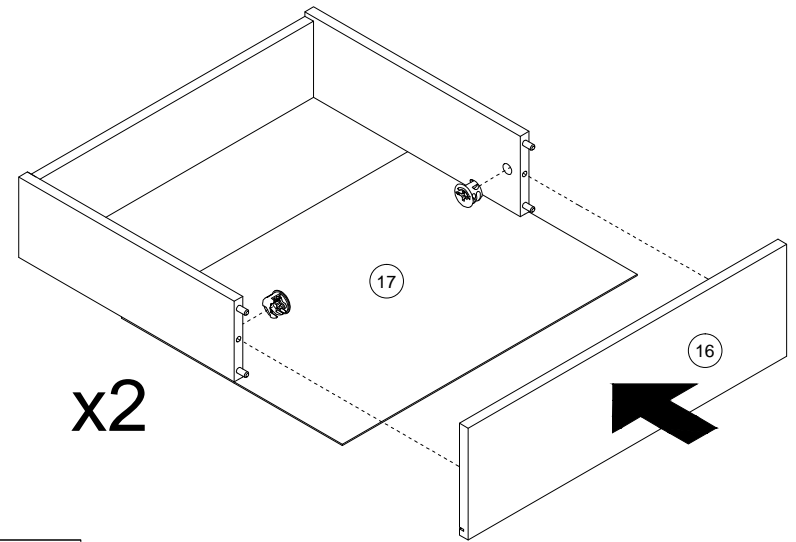


16



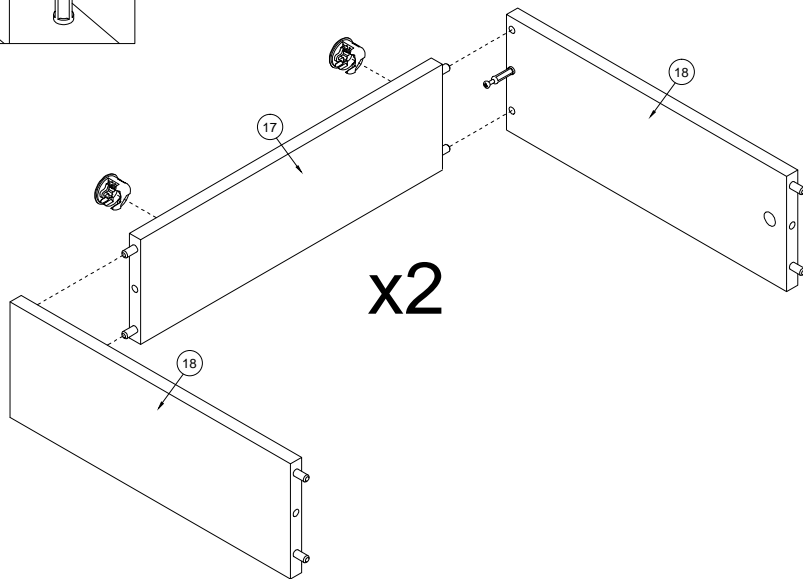
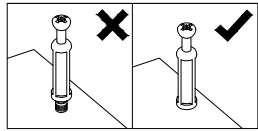
x2

18

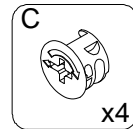


x2

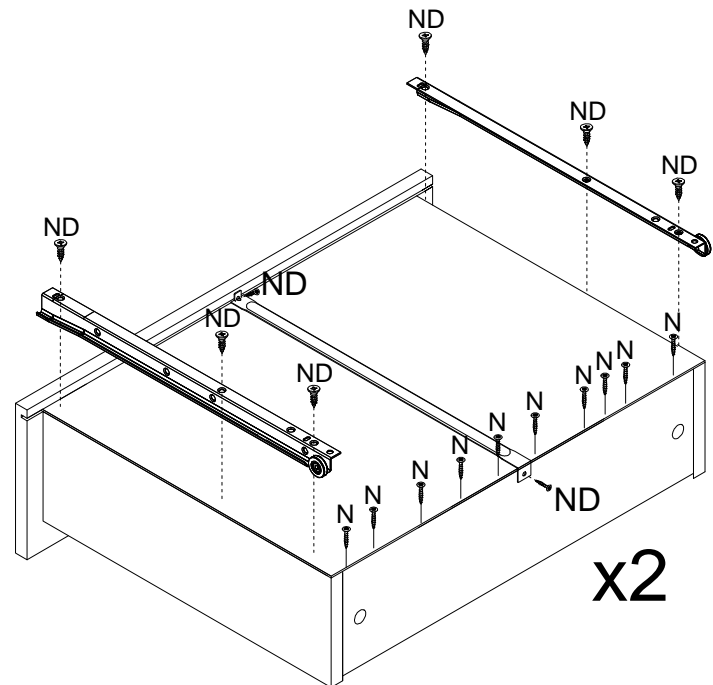
17



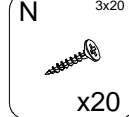
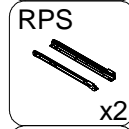
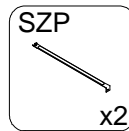
x2

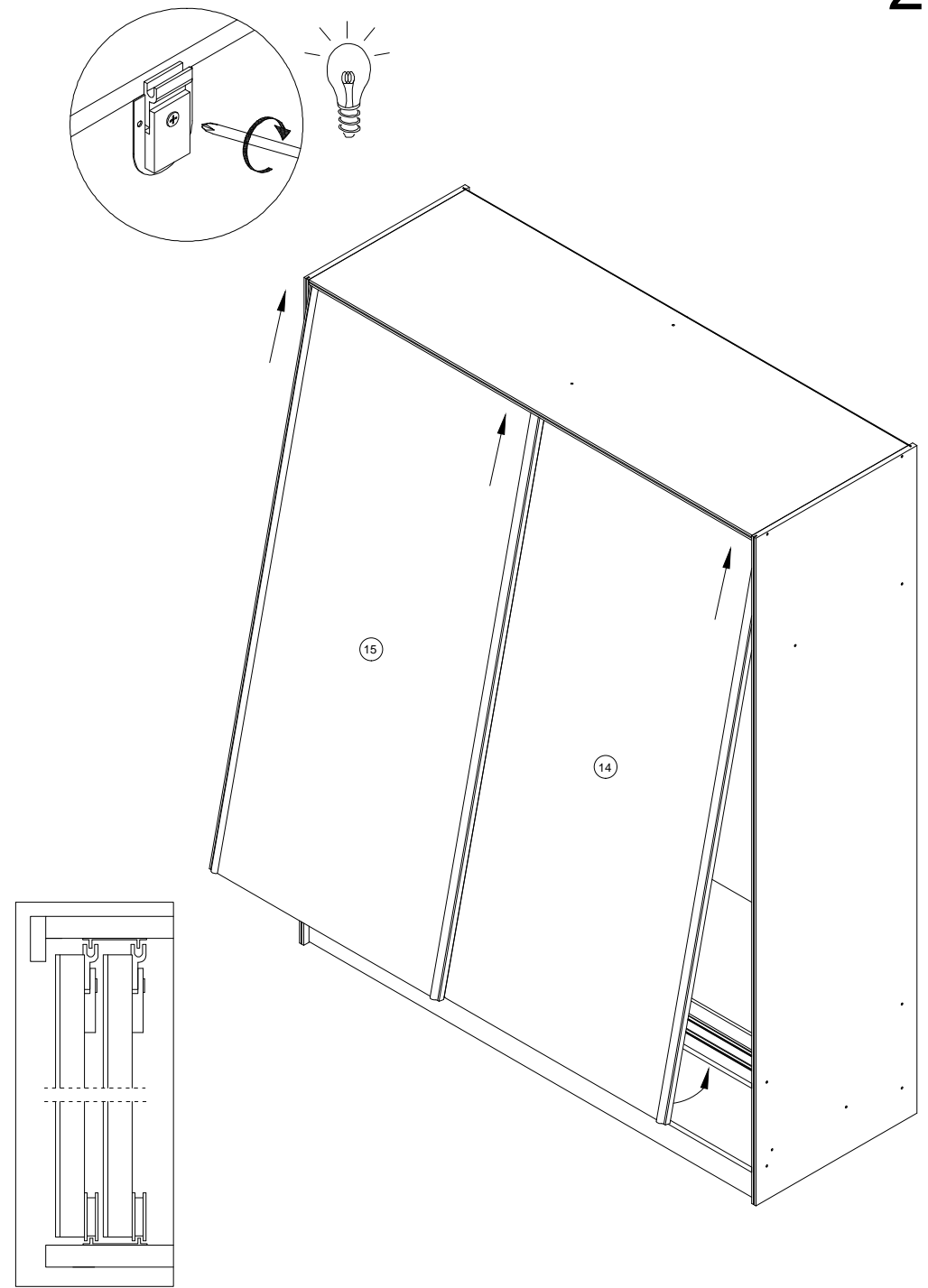
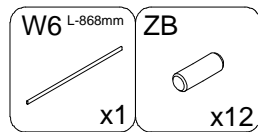
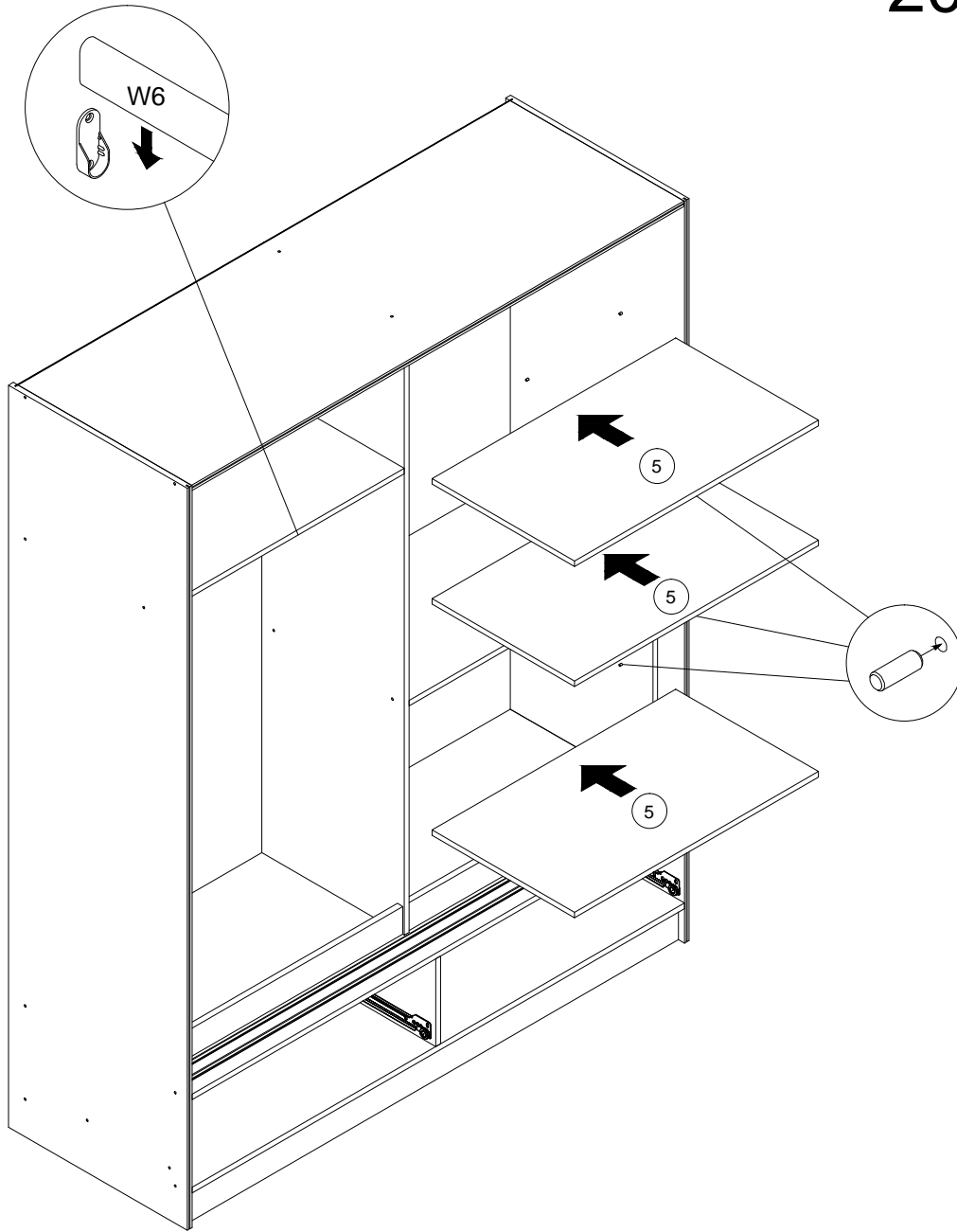


19

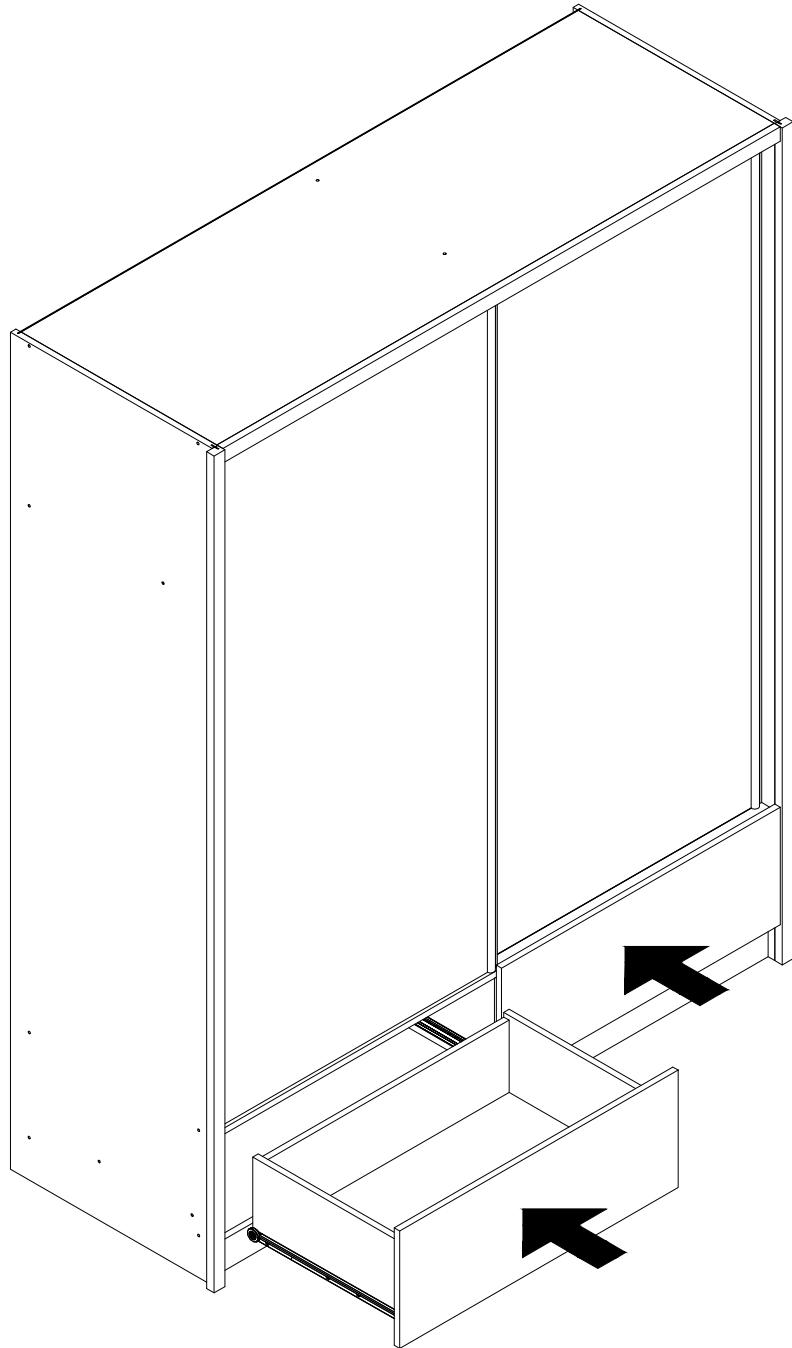


x2





22



23

